



US00D873118S

(12) **United States Design Patent** (10) **Patent No.:** **US D873,118 S**
Edoardo et al. (45) **Date of Patent:** **** Jan. 21, 2020**

(54) **CABLE HOUSING**
(71) Applicant: **ENCABLIST S.R.L.**, Ancona (IT)
(72) Inventors: **Capulli Edoardo**, Ancona (IT); **Capulli Emma**, Ancona (IT); **Dini Andrea**, Ancona (IT)
(73) Assignee: **Encablist S.R.L.**, Ancona (IT)
(**) Term: **15 Years**

D477,770 S * 7/2003 Baker D8/373
7,258,583 B1 * 8/2007 Baiza H02G 3/0431
174/72 A
D575,143 S * 8/2008 Kuo D8/356
D759,474 S * 6/2016 Pittman D8/395
D775,515 S * 1/2017 Jansson D8/356
D796,946 S * 9/2017 Pittman D8/395
D807,735 S * 1/2018 Nimgulkar D8/367
D808,250 S * 1/2018 Chang D8/356
D816,477 S * 5/2018 Kim D8/396
D832,085 S * 10/2018 Babcock D8/356
10,274,110 B1 * 4/2019 Liu F16L 3/1215

(21) Appl. No.: **35/505,697**
(22) Filed: **Aug. 30, 2018**

* cited by examiner

(80) **Hague Agreement Data**
Int. Filing Date: **Aug. 30, 2018**
Int. Reg. No.: **DM/102717**
Int. Reg. Date: **Aug. 30, 2018**
Int. Reg. Pub. Date: **Sep. 21, 2018**

Primary Examiner — Barbara Fox
Assistant Examiner — Nathaniel D. Buckner
(74) *Attorney, Agent, or Firm* — Neifeld IP Law, PC

(51) **LOC (12) Cl.** **09-06**
(52) **U.S. Cl.**
USPC **D8/356**

(57) **CLAIM**

The ornamental design for cable housing, as shown and described.

(58) **Field of Classification Search**
USPC D8/356, 396, 395, 394, 382, 358, 367, 1, D8/14, 354, 372, 373, 74; D14/205, 223, D14/224, 433
CPC H05K 7/1491; H05K 7/186; F16L 3/01; F16L 3/02; F16G 11/14; F16G 11/103; Y10T 24/44; Y10T 24/45723; B65H 2701/34; B65H 2701/3919
See application file for complete search history.

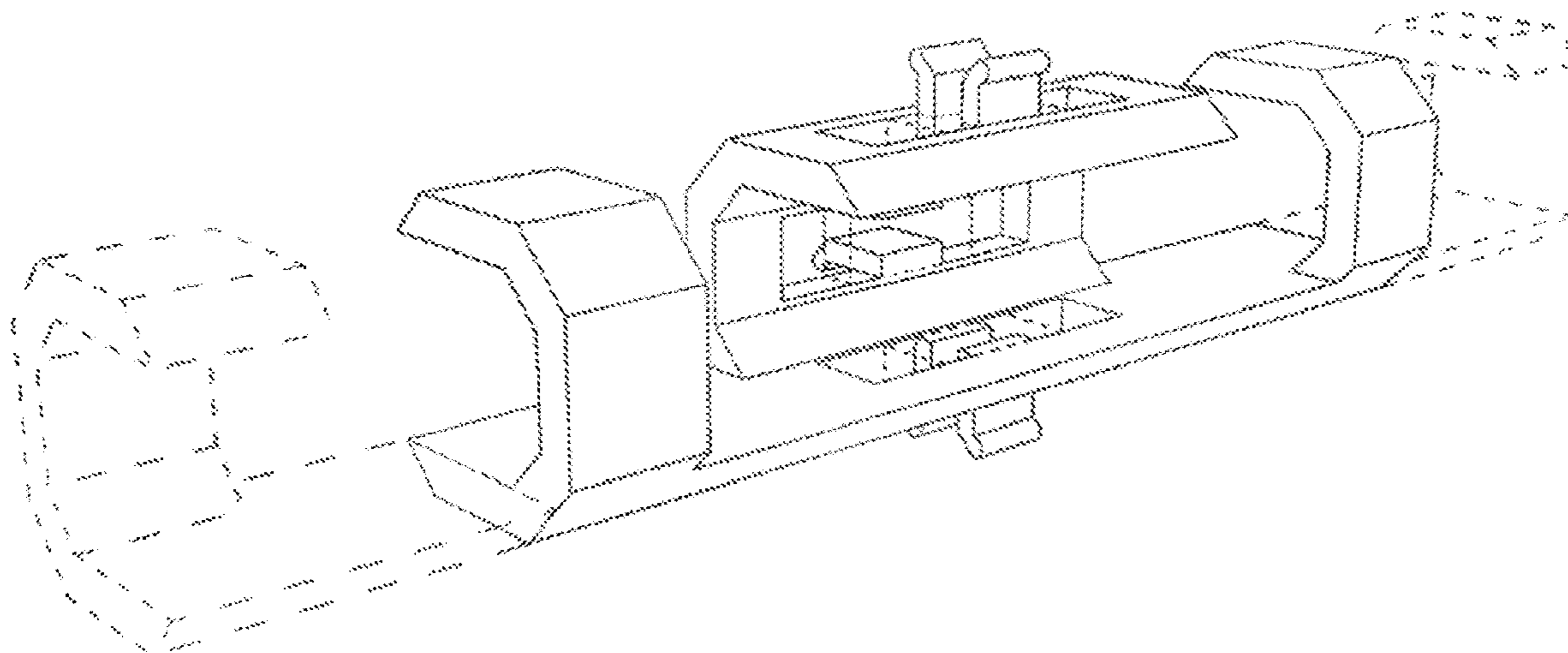
DESCRIPTION

- 1.1: Perspective
- 1.2: Front
- 1.3: Back
- 1.4: Right
- 1.5: Left
- 1.6: Top
- 1.7: Bottom

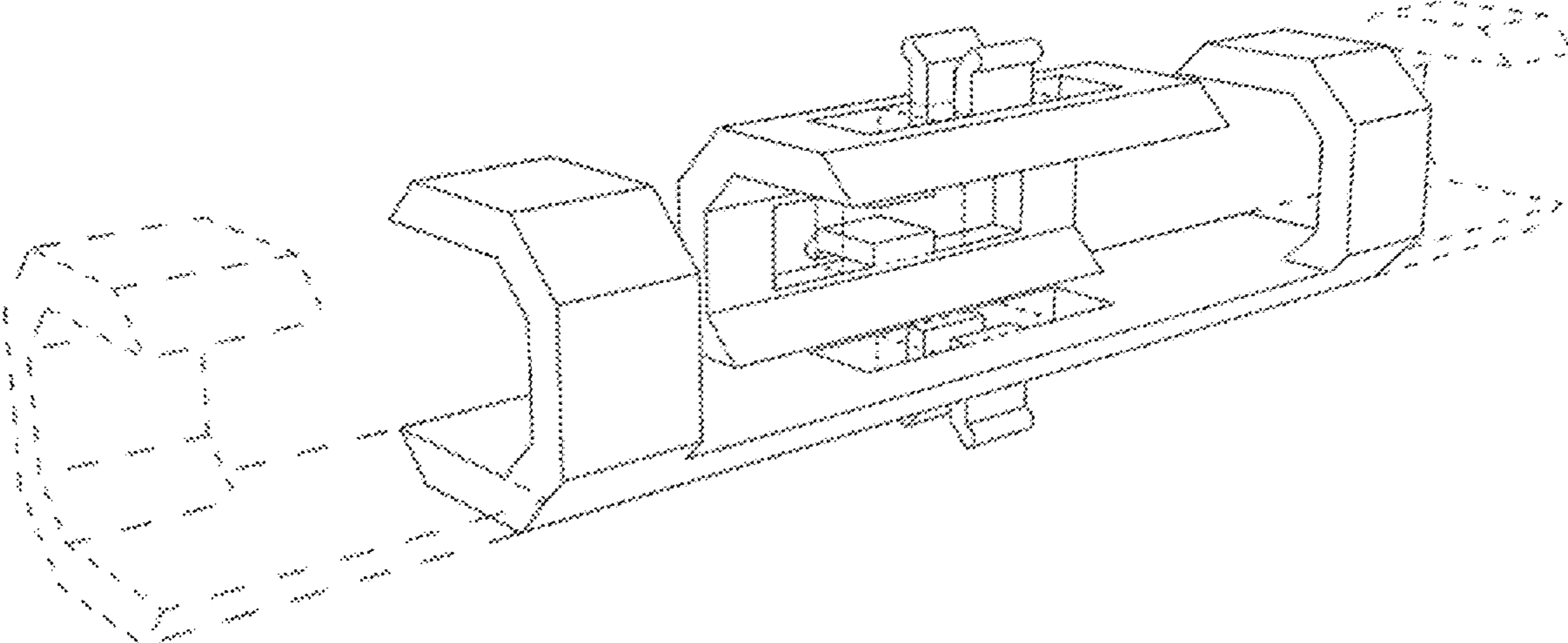
The broken lines shown in the reproductions depict portions of the cable housing that form no part of the claimed design.

(56) **References Cited**
U.S. PATENT DOCUMENTS
5,524,327 A * 6/1996 Mickel F16L 3/00
24/115 A
6,327,139 B1 * 12/2001 Champion H02B 1/202
174/69

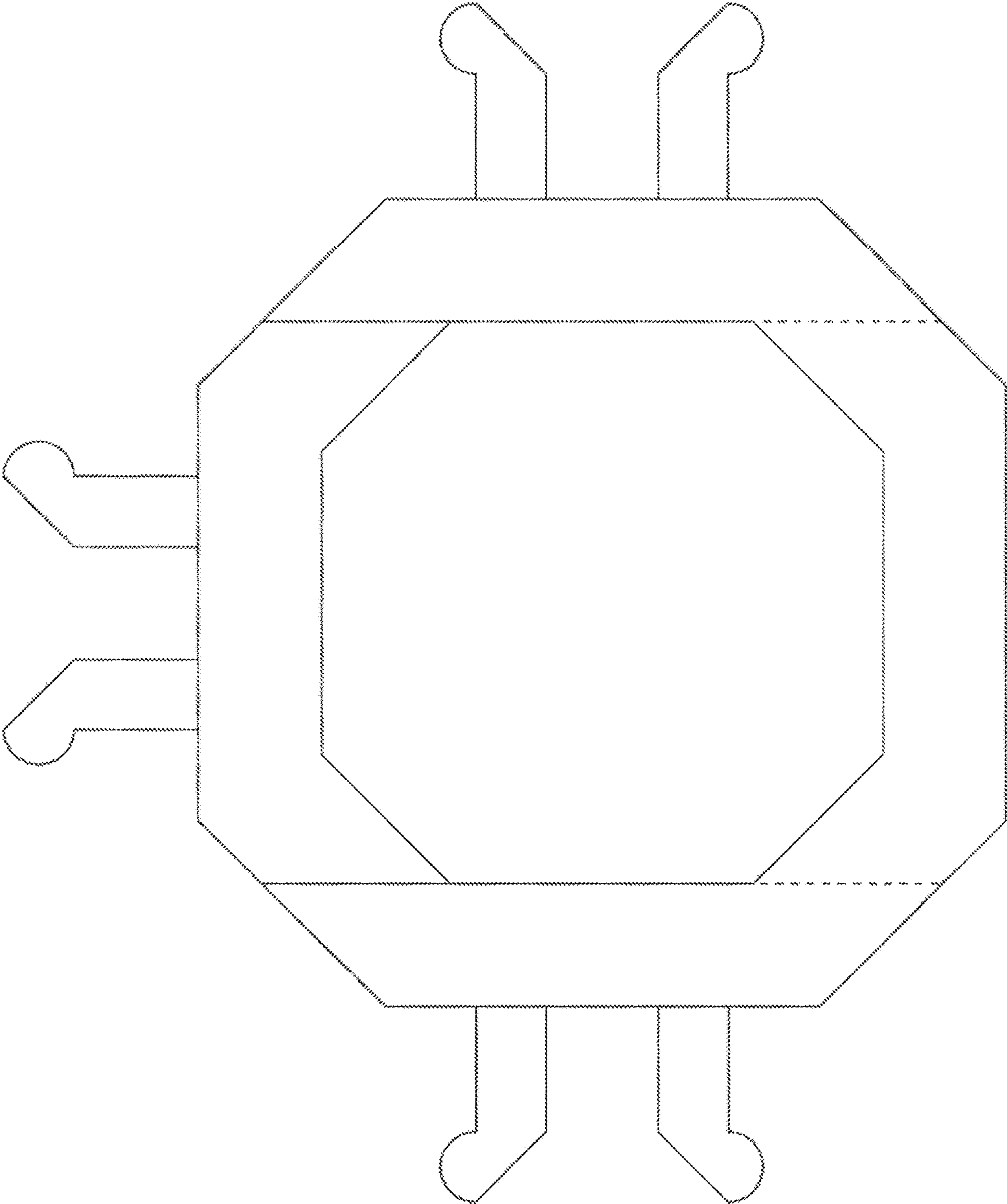
1 Claim, 7 Drawing Sheets



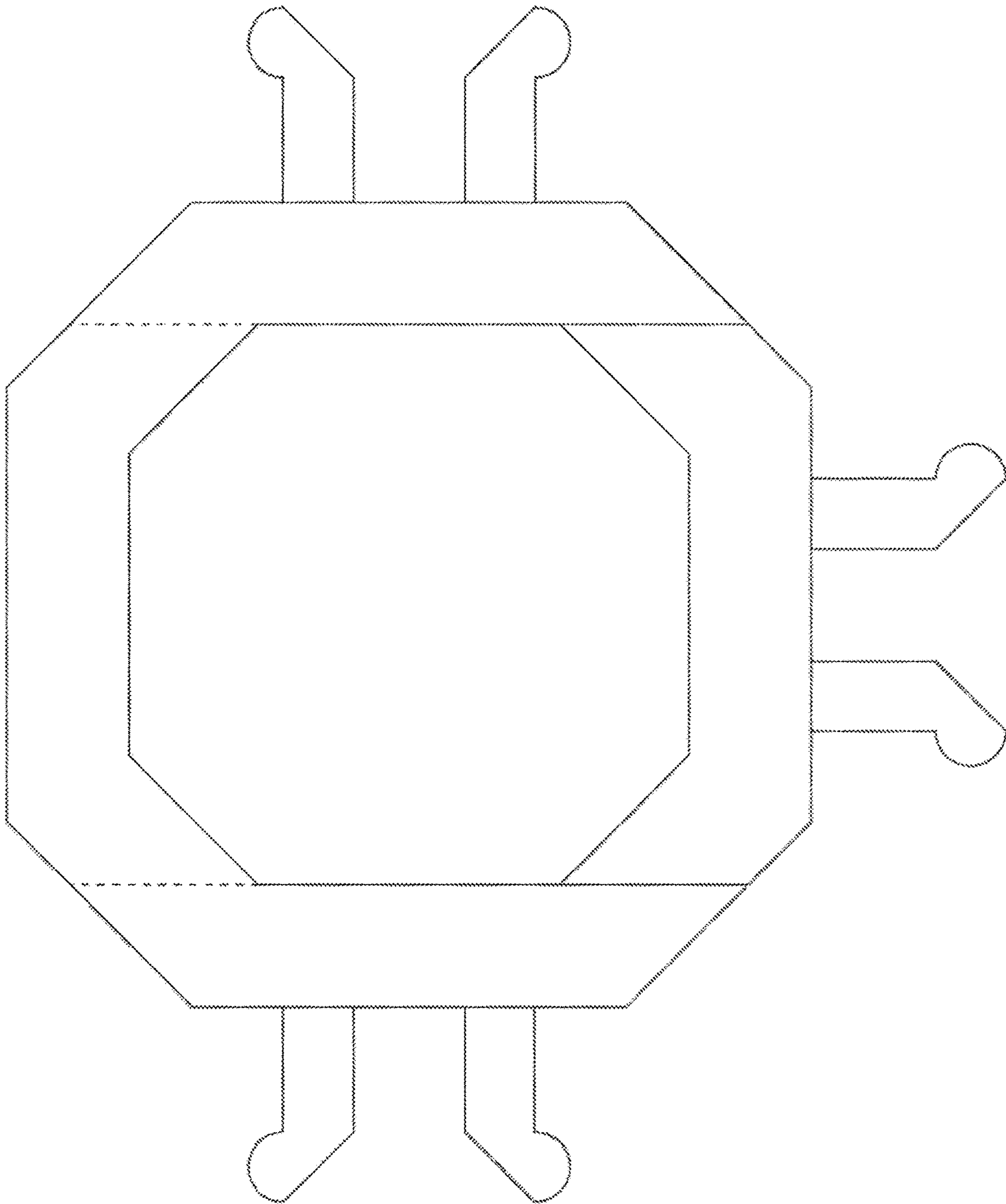
1.1



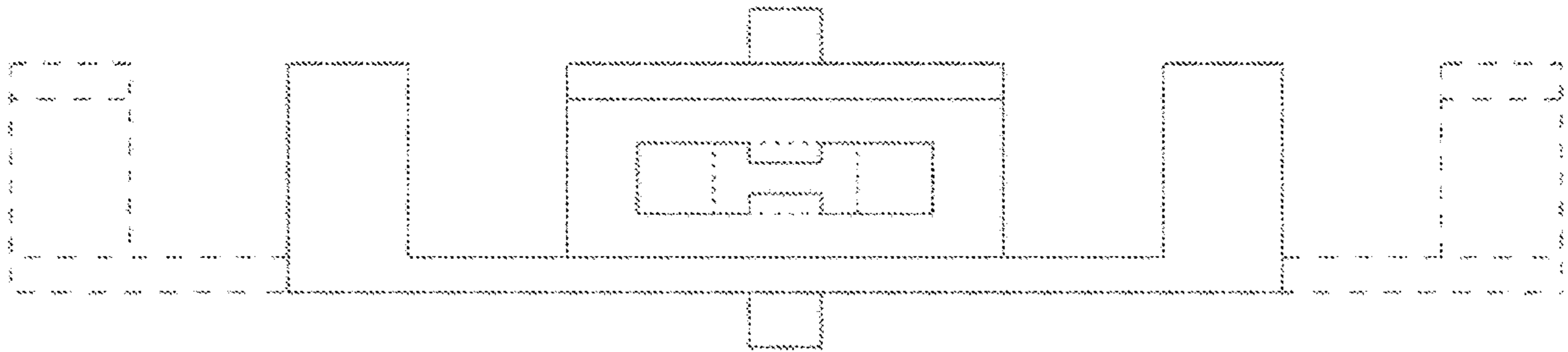
1.2



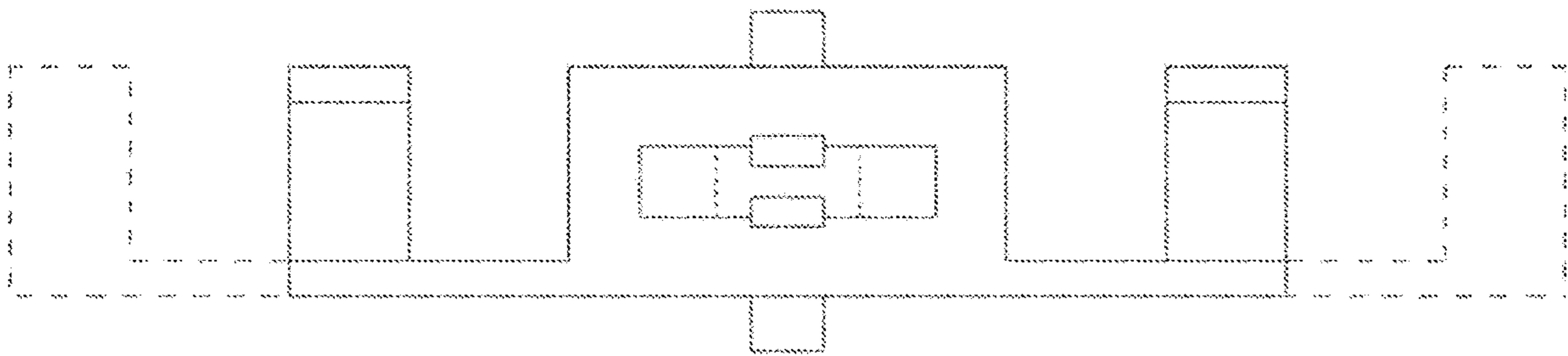
1.3



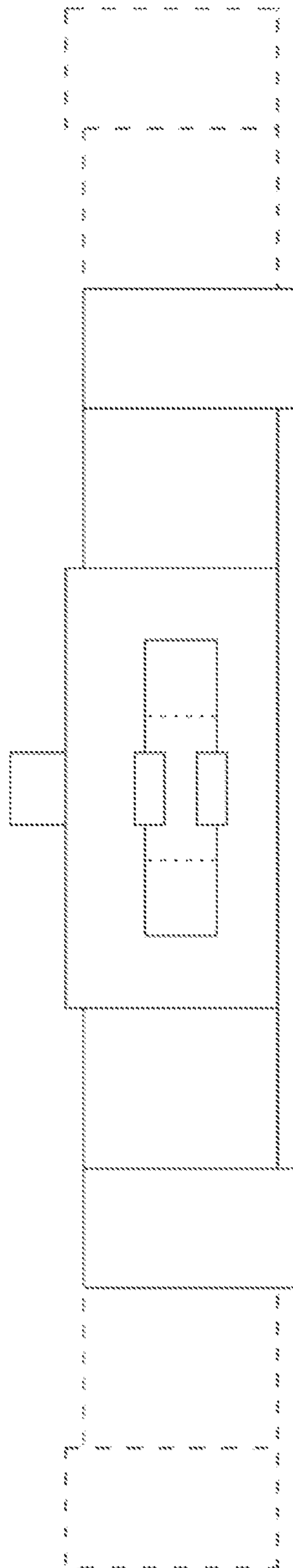
1.4



1.5



1.6



1.7

