



US00D873117S

(12) **United States Design Patent** (10) **Patent No.:** **US D873,117 S**  
**Riolo** (45) **Date of Patent:** **\*\* Jan. 21, 2020**

(54) **ELECTRICAL CORD MOUNT**  
(71) Applicant: **MJR 2000 Holdings Ltd., Guelph (CA)**  
(72) Inventor: **Michael Riolo, Guelph (CA)**  
(73) Assignee: **MJR 2000 Holdings Ltd., Guelph, Ontario**  
(\*\*) Term: **15 Years**  
(21) Appl. No.: **29/662,604**  
(22) Filed: **Sep. 6, 2018**  
(51) **LOC (12) Cl.** ..... **09-06**  
(52) **U.S. Cl.**  
USPC ..... **D8/356**  
(58) **Field of Classification Search**  
USPC ..... D8/367, 356, 354, 349, 105, 380, 387;  
24/599.9  
CPC ..... B65H 57/16; B63B 21/045; F16B 45/02;  
H02J 7/0026; A63B 27/00; A63B 29/00  
See application file for complete search history.

D436,399 S \* 1/2001 Poland ..... D23/322  
D436,522 S \* 1/2001 Neider ..... D8/380  
6,431,500 B1 \* 8/2002 Jacobs ..... F16L 3/13  
24/129 R  
D490,692 S \* 6/2004 Williams ..... D8/356  
D498,136 S \* 11/2004 Parker ..... D8/323  
D521,851 S \* 5/2006 Smart ..... D8/354  
D571,190 S \* 6/2008 Spadotto ..... B65H 75/366  
D8/356  
D618,985 S \* 7/2010 Sjoqvist ..... D8/356  
D629,286 S \* 12/2010 Laskowski ..... D8/356  
D685,624 S \* 7/2013 Van Der Blom ..... D8/356  
D693,731 S \* 11/2013 Dunn ..... D11/184  
D704,535 S \* 5/2014 Burda ..... D8/356  
D713,947 S \* 9/2014 Jensen ..... D23/322  
D715,623 S \* 10/2014 Holtby ..... D8/356  
8,910,803 B2 \* 12/2014 Holtby ..... F16L 1/0246  
211/70.4  
D738,711 S \* 9/2015 Tally ..... D8/380  
D741,151 S \* 10/2015 Iseminger ..... D8/356  
D758,834 S \* 6/2016 Tally ..... D8/380  
D767,796 S \* 9/2016 Kinsman ..... D25/133  
D779,585 S \* 2/2017 Dedrick ..... D17/20

(Continued)

Primary Examiner — Cynthia R Underwood

(56) **References Cited**  
U.S. PATENT DOCUMENTS

2,905,743 A \* 9/1959 Sylvester ..... H01B 17/16  
174/73.1  
4,114,241 A \* 9/1978 Bisping ..... F16L 3/13  
403/188  
4,403,759 A \* 9/1983 Hicks ..... F16L 3/18  
248/55  
4,722,500 A \* 2/1988 Bray ..... F16L 3/00  
138/106  
D320,027 S \* 9/1991 Mintz ..... D15/138  
D321,471 S \* 11/1991 Stumpf ..... D8/381  
D368,932 S \* 4/1996 Mussalo ..... D19/100  
D399,727 S \* 10/1998 Richter ..... D8/380  
5,884,695 A \* 3/1999 Brownlee ..... F22B 37/107  
122/DIG. 13  
D430,005 S \* 8/2000 Stearns ..... D8/380

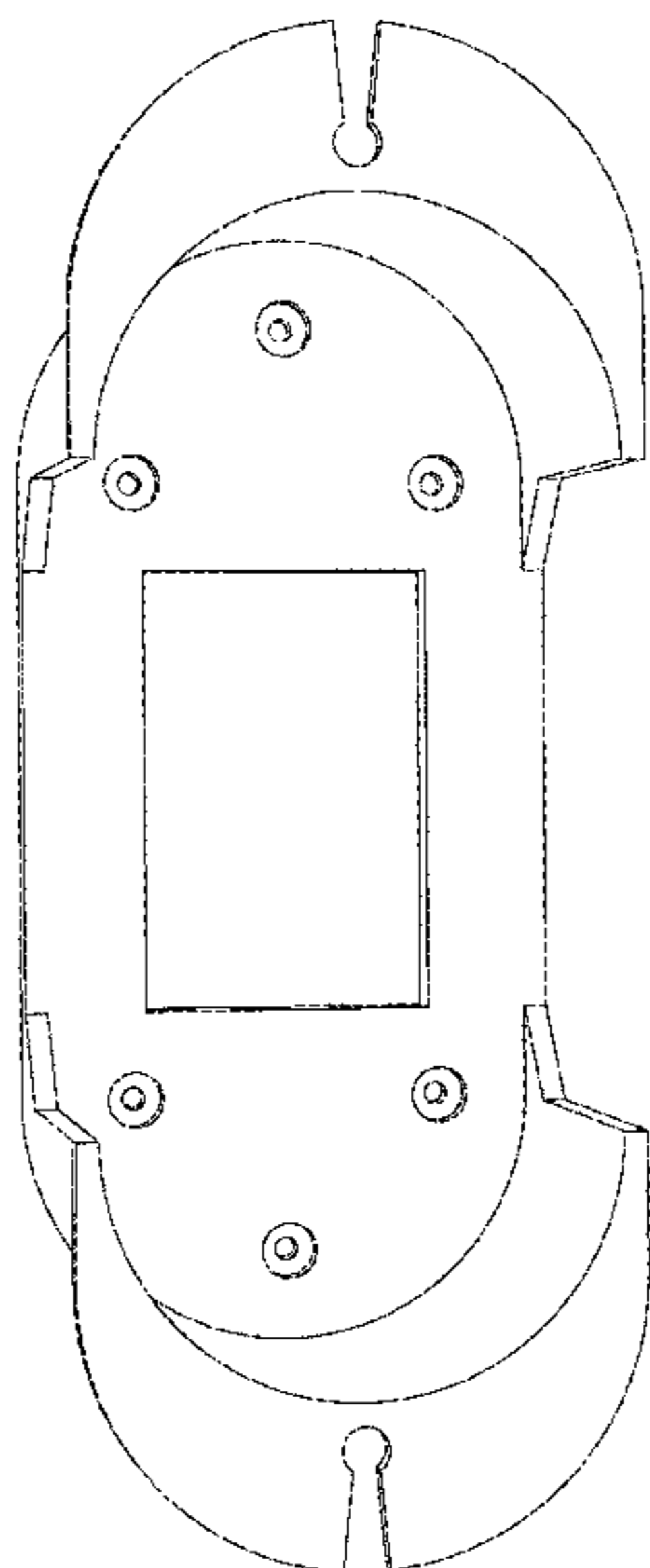
(57) **CLAIM**

The ornamental design of an electrical cord mount, as shown and described.

**DESCRIPTION**

FIG. 1 is a front elevation view of an electrical cord mount in accordance with the present design;  
FIG. 2 is a front perspective view thereof;  
FIG. 3 is a left side elevation view thereof;  
FIG. 4 is an alternative front perspective view thereof;  
FIG. 5 is a further alternative perspective view thereof;  
FIG. 6 is a right side elevation view thereof; and,  
FIG. 7 is a top plan view thereof.

**1 Claim, 7 Drawing Sheets**



(56)

**References Cited**

U.S. PATENT DOCUMENTS

D793,213	S *	8/2017	Heymann	.....	D8/380
D824,749	S *	8/2018	Wright	.....	D8/354
D826,034	S *	8/2018	Feng	.....	D8/356
D835,497	S *	12/2018	Rindy	.....	D8/356
D837,638	S *	1/2019	Sargent	.....	D8/380
D856,119	S *	8/2019	McGugan	.....	D8/356
2006/0131469	A1 *	6/2006	Roy	.....	F16L 3/02 248/346.03
2008/0054143	A1 *	3/2008	Collins	.....	F16L 3/02 248/227.2
2008/0121763	A1 *	5/2008	Mori	.....	H02G 3/32 248/68.1
2016/0221715	A1 *	8/2016	Pratt	.....	B65D 19/44

\* cited by examiner

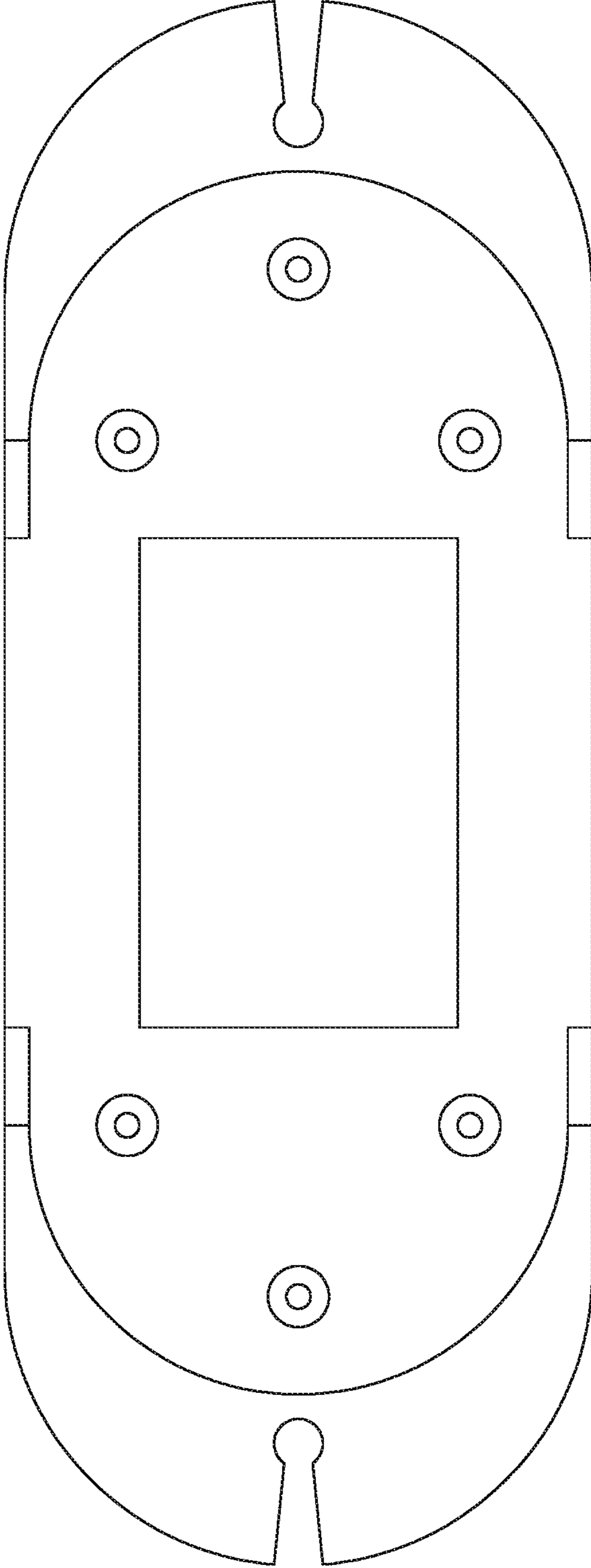


FIG 1

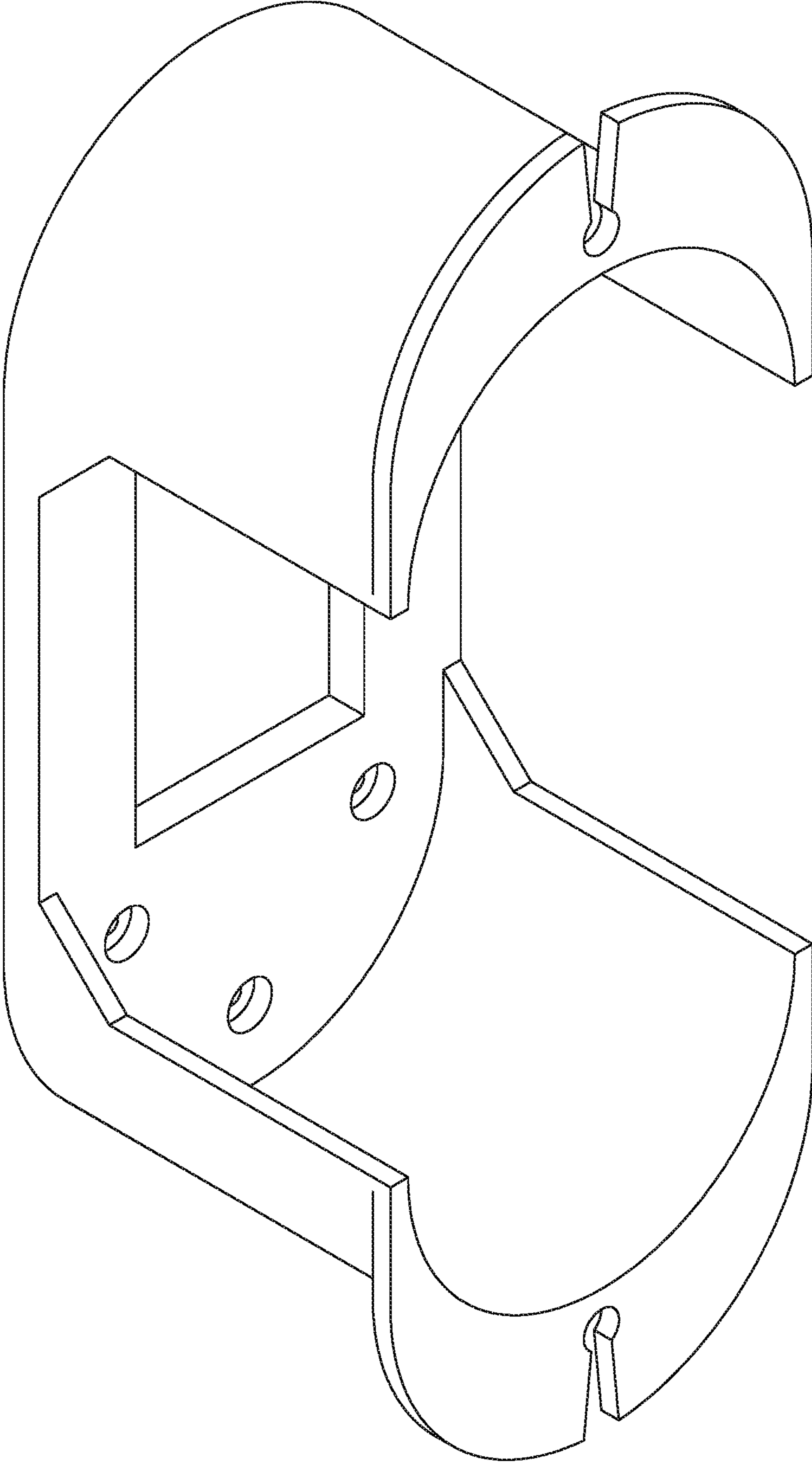


FIG 2

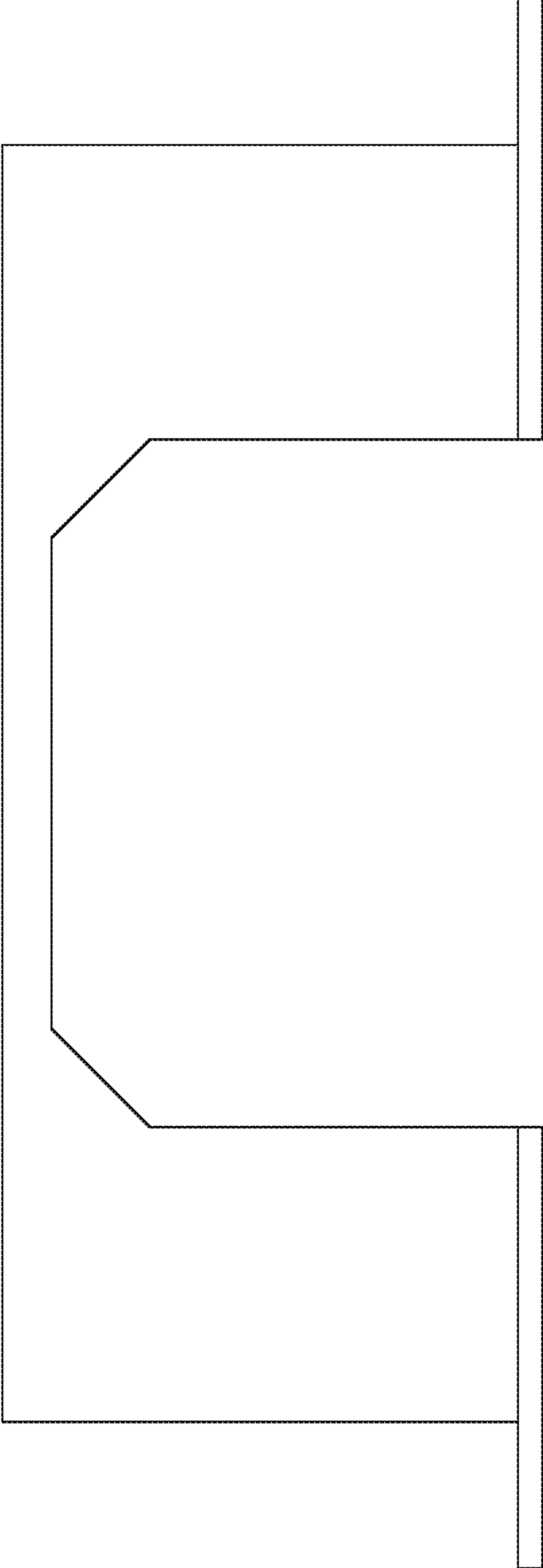


FIG 3

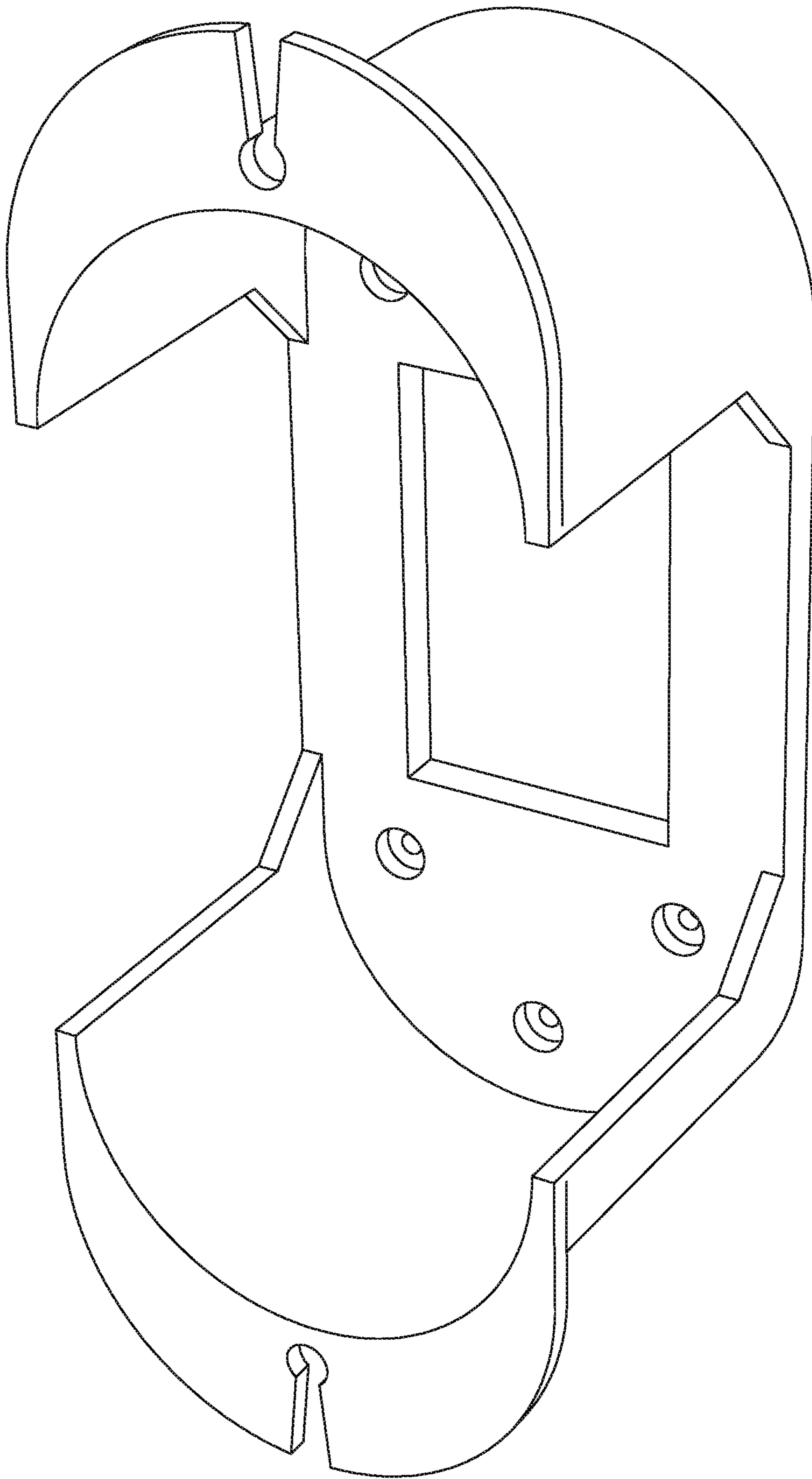


FIG 4

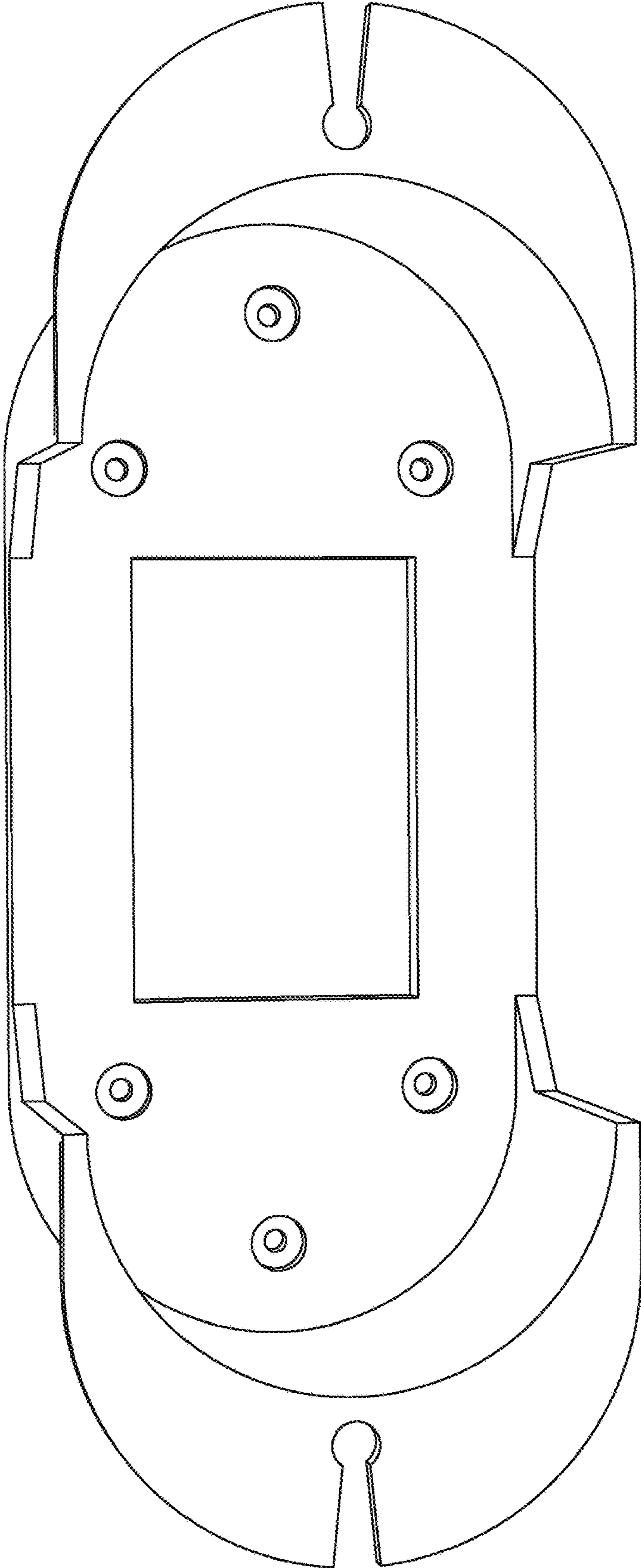


FIG 5

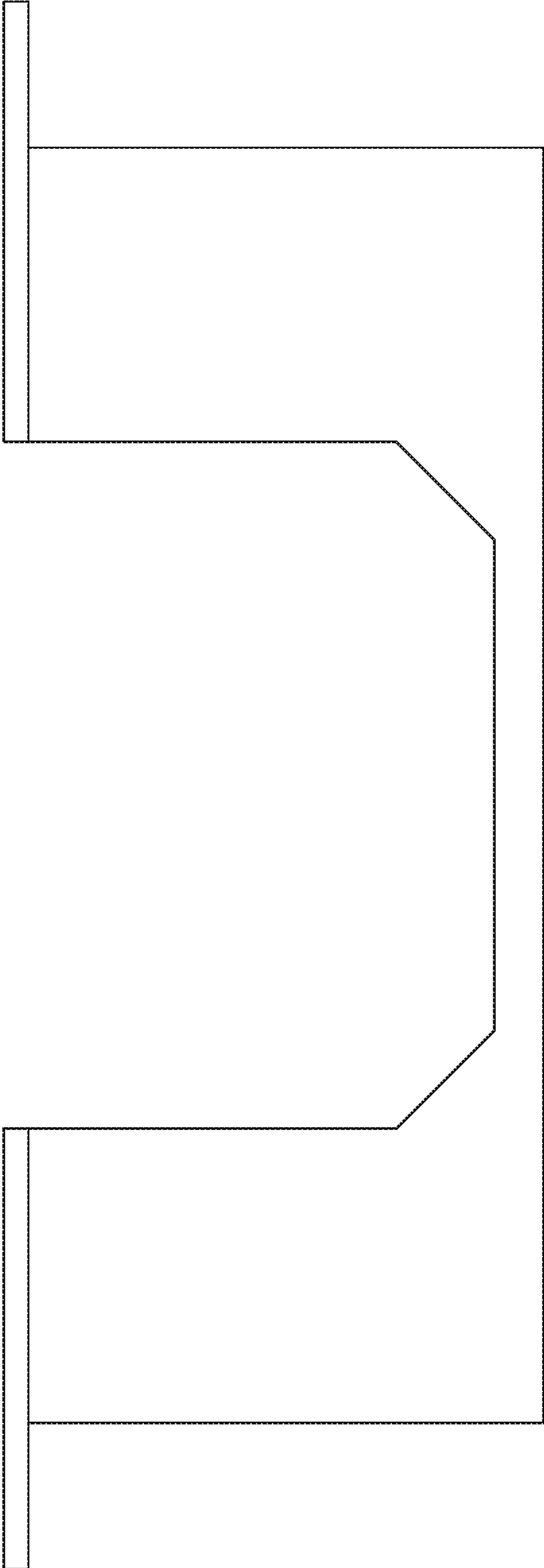


FIG 6



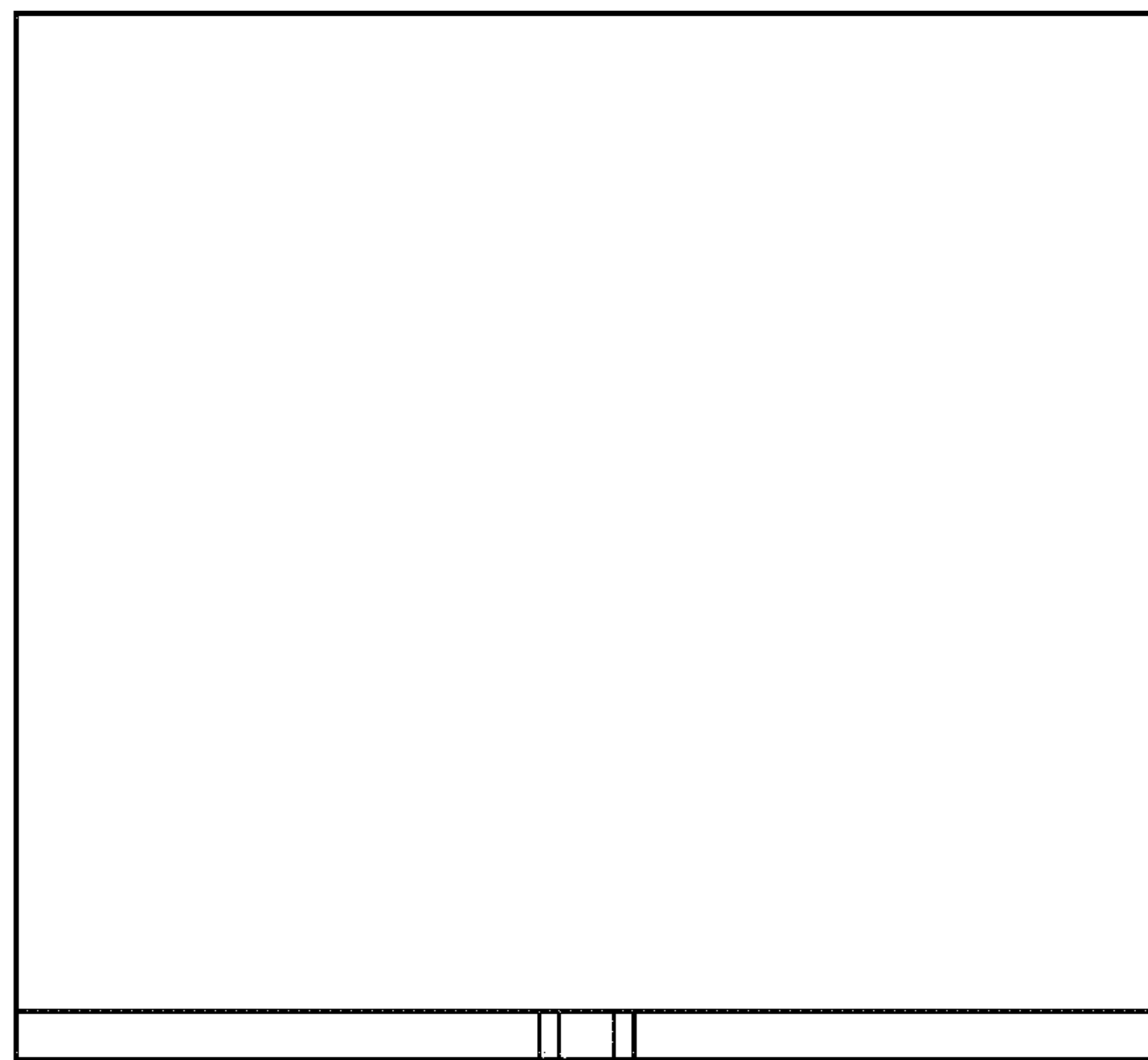


FIG 7