

US00D873115S

(12) **United States Design Patent** (10) **Patent No.:** **US D873,115 S**  
**Evans et al.** (45) **Date of Patent:** **\*\* Jan. 21, 2020**

(54) **BRACKET**

2010/0307074 A1 12/2010 Stearns et al.  
2011/0179727 A1 7/2011 Liu  
2016/0251845 A1\* 9/2016 Evans ..... E04B 2/82  
52/698

(71) Applicant: **Tracklok Limited**, Auckland (NZ)

(72) Inventors: **Shaun Evans**, Auckland (NZ); **Scott Simpson**, Auckland (NZ)

FOREIGN PATENT DOCUMENTS

(73) Assignee: **TRACKLOK LIMITED**, Auckland (NZ)

JP S61-254760 A 11/1986  
JP H01-64516 U 4/1989  
JP H04-113606 U 10/1992  
JP H09-252926 A 9/1997  
JP 2013-515184 A 5/2013

(\*\*) Term: **15 Years**

OTHER PUBLICATIONS

(21) Appl. No.: **29/630,777**

Atena S.P.A., Data Sheet No. 4 Steel Strong Easy Antiseismic T24 Overlap—rev 4, Sep. 28, 2015, pp. 1-4.

(22) Filed: **Dec. 22, 2017**

(51) **LOC (12) Cl.** ..... **08-05**

\* cited by examiner

(52) **U.S. Cl.**

USPC ..... **D8/354**

(58) **Field of Classification Search**

USPC ..... D25/5, 6, 120, 121, 199; D8/349, 354, D8/373, 380, 382

CPC ..... A47B 47/0033; A47B 47/0008; A47B 47/005; F16B 12/40; F16B 12/44; F16B 12/46; F16B 12/50; Y10T 403/4602; Y10S 403/13

See application file for complete search history.

*Primary Examiner* — Janice Hallmark

*Assistant Examiner* — Harold E Blackwell, II

(74) *Attorney, Agent, or Firm* — Young & Thompson

(57) **CLAIM**

The ornamental design for a bracket, as shown and described.

**DESCRIPTION**

FIG. 1 is a front, right side, and top perspective view of a bracket showing the new design;

FIG. 2 is a front elevation view thereof;

FIG. 3 is a left side elevation view thereof;

FIG. 4 is a rear elevation view thereof;

FIG. 5 is a right side elevation view thereof;

FIG. 6 is a top plan view thereof; and,

FIG. 7 is a bottom plan view thereof.

**1 Claim, 7 Drawing Sheets**

(56) **References Cited**

U.S. PATENT DOCUMENTS

3,601,430 A \* 8/1971 Zwennis ..... B62D 33/044  
403/205  
7,762,027 B1 7/2010 Wentworth et al.  
D647,385 S \* 10/2011 Watts ..... D8/349  
D799,311 S \* 10/2017 Mamie ..... D8/382  
D829,086 S \* 9/2018 Hynek ..... D8/382  
D841,435 S \* 2/2019 Domeck ..... D8/354

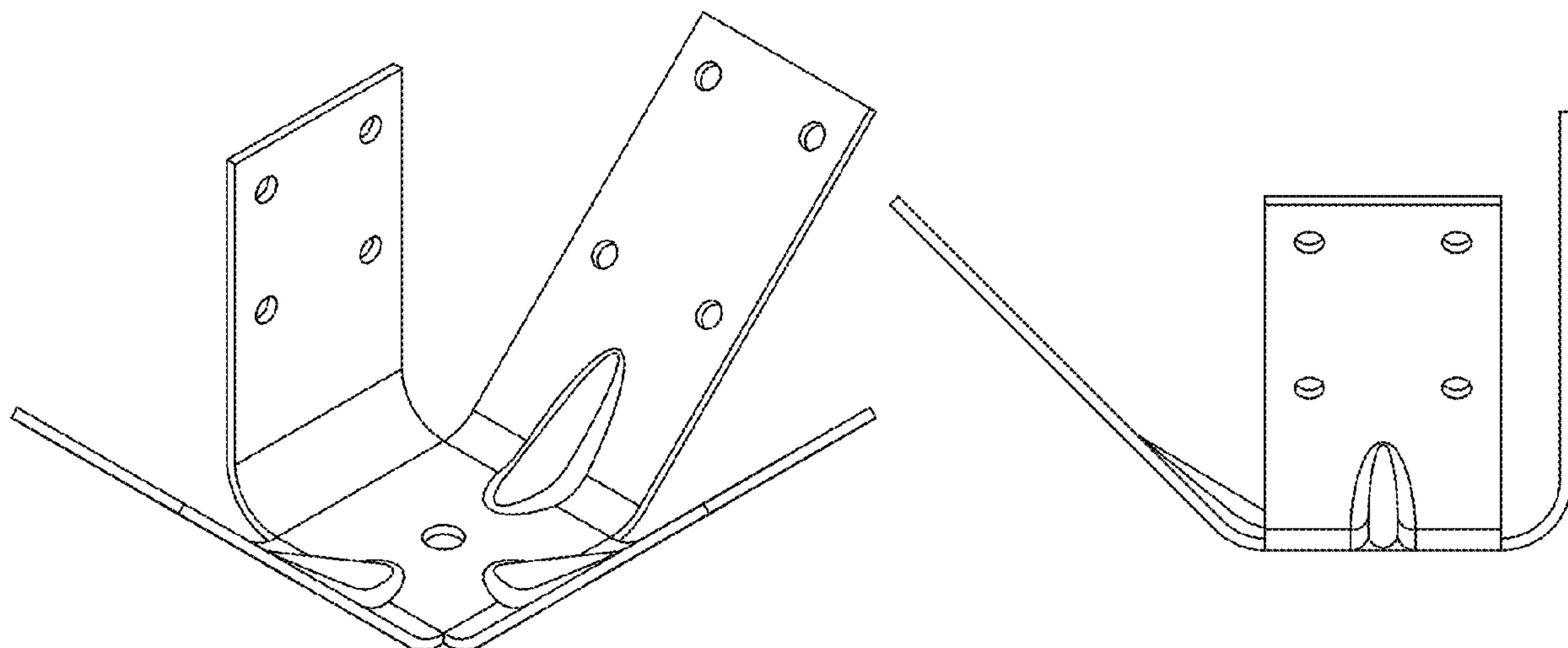


FIG. 1

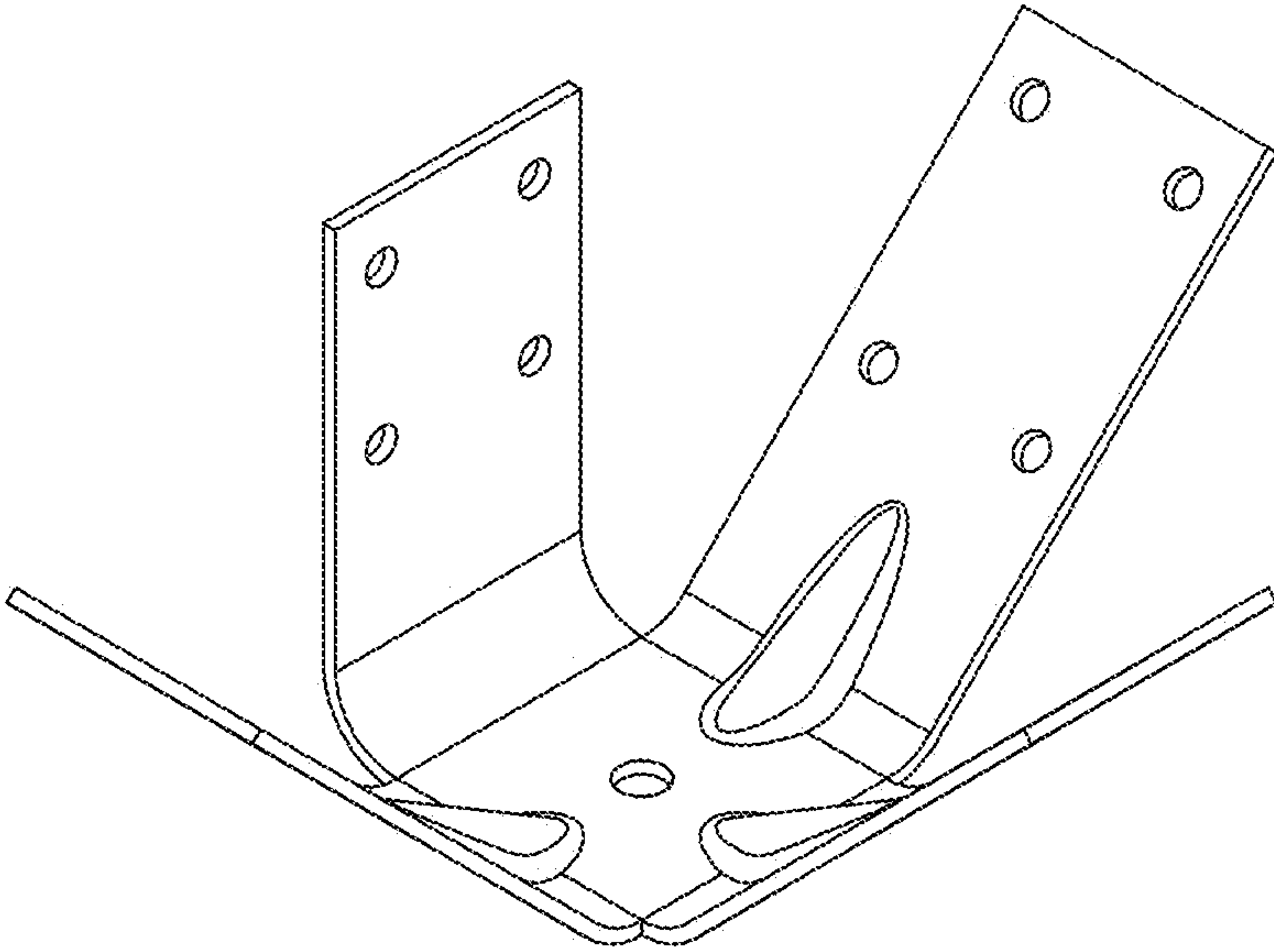


FIG. 2

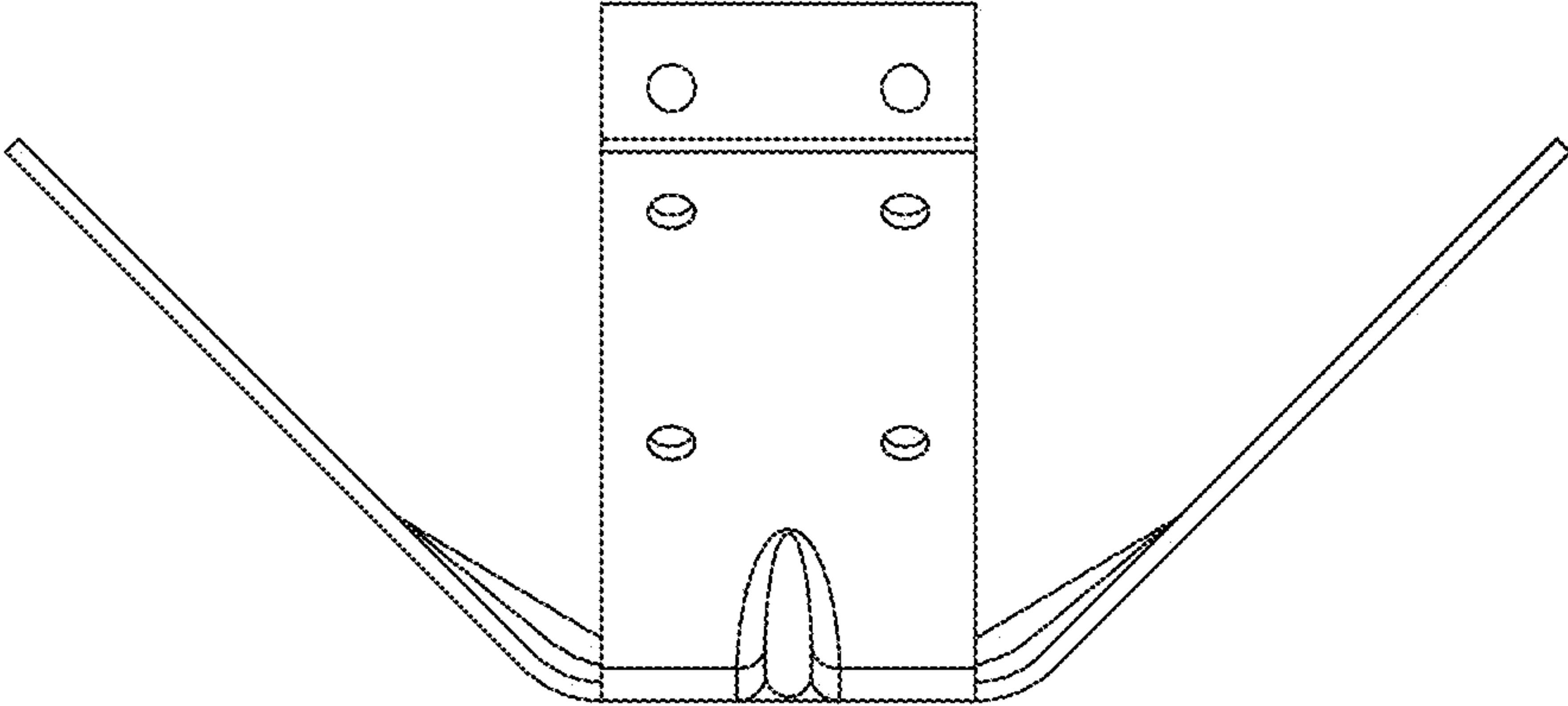


FIG. 3

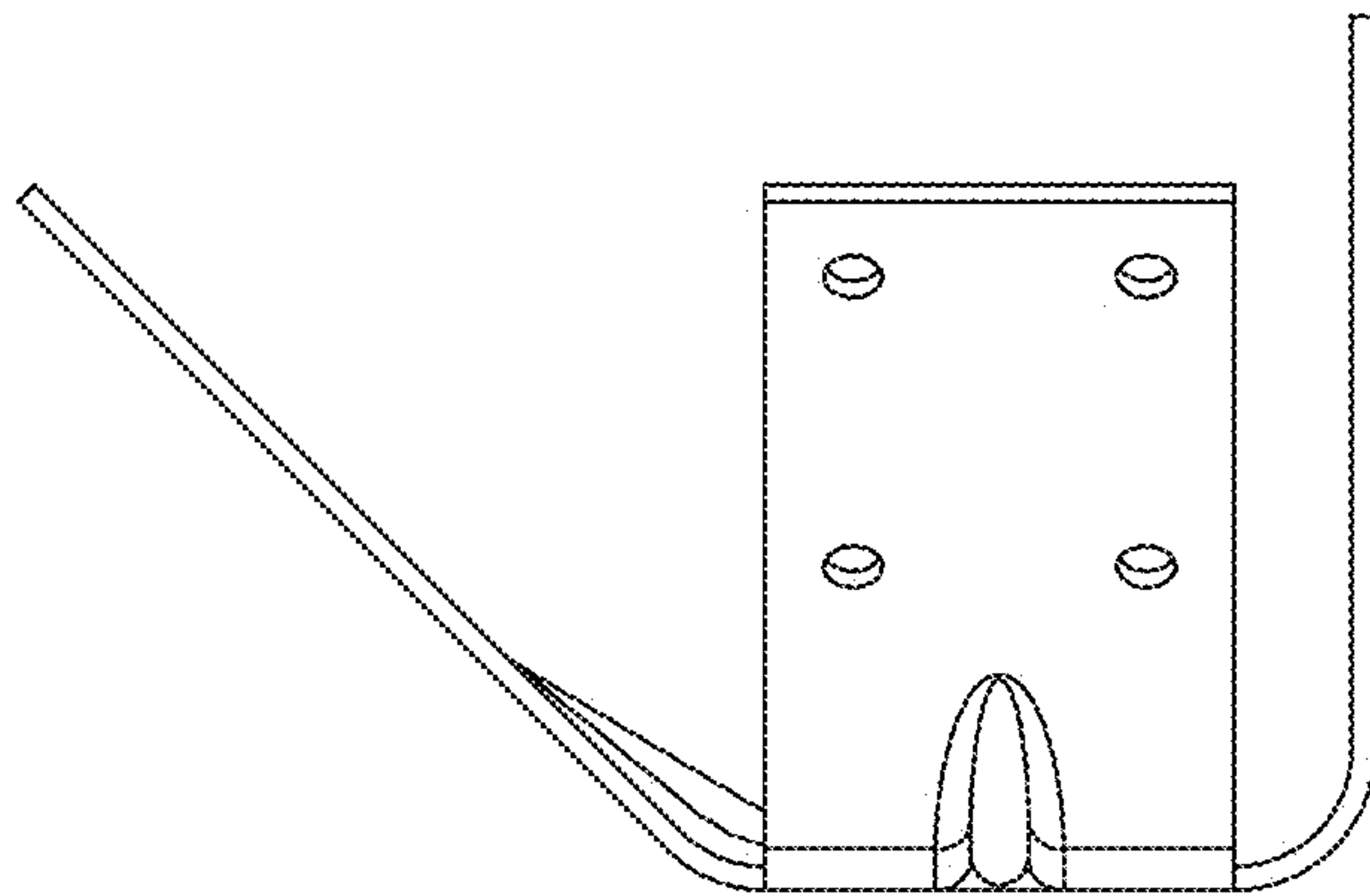


FIG. 4

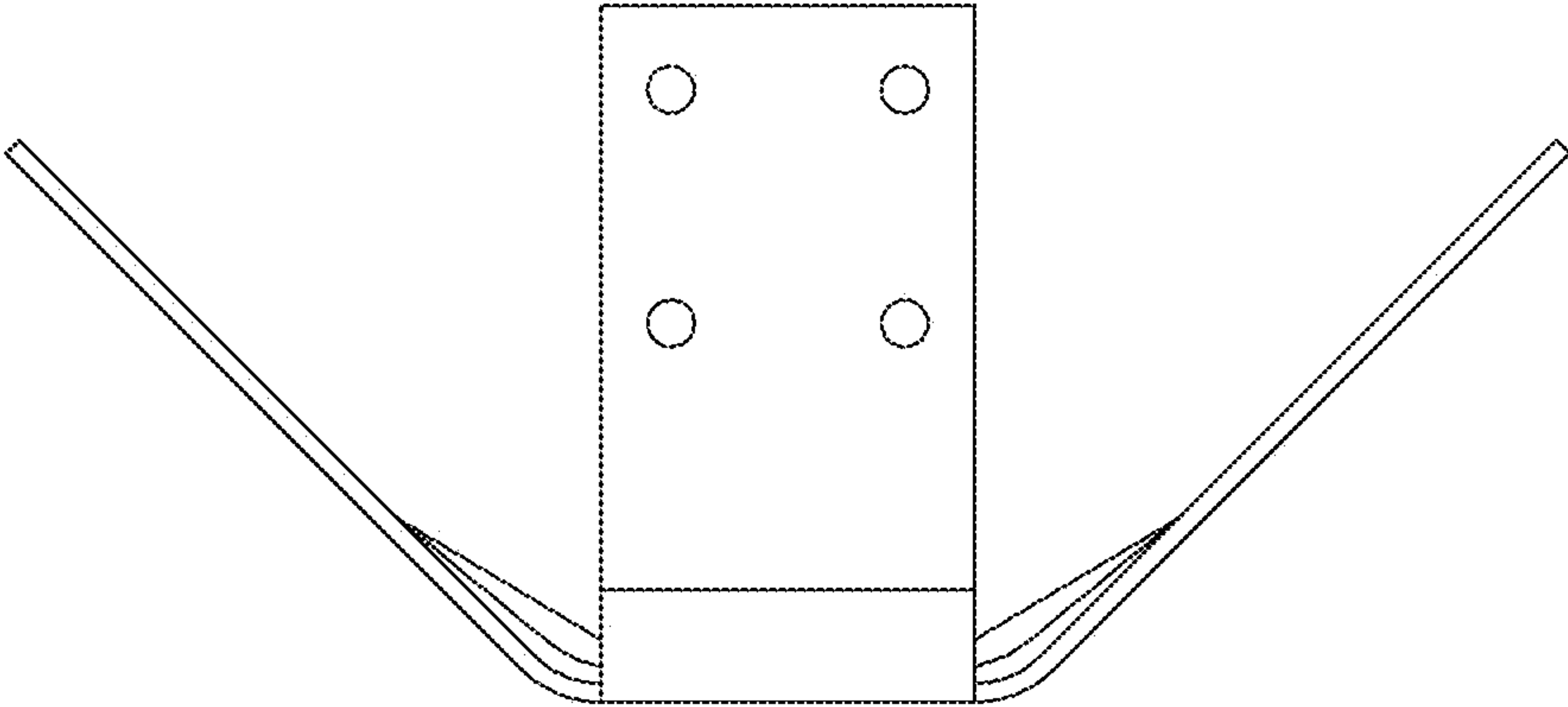


FIG. 5

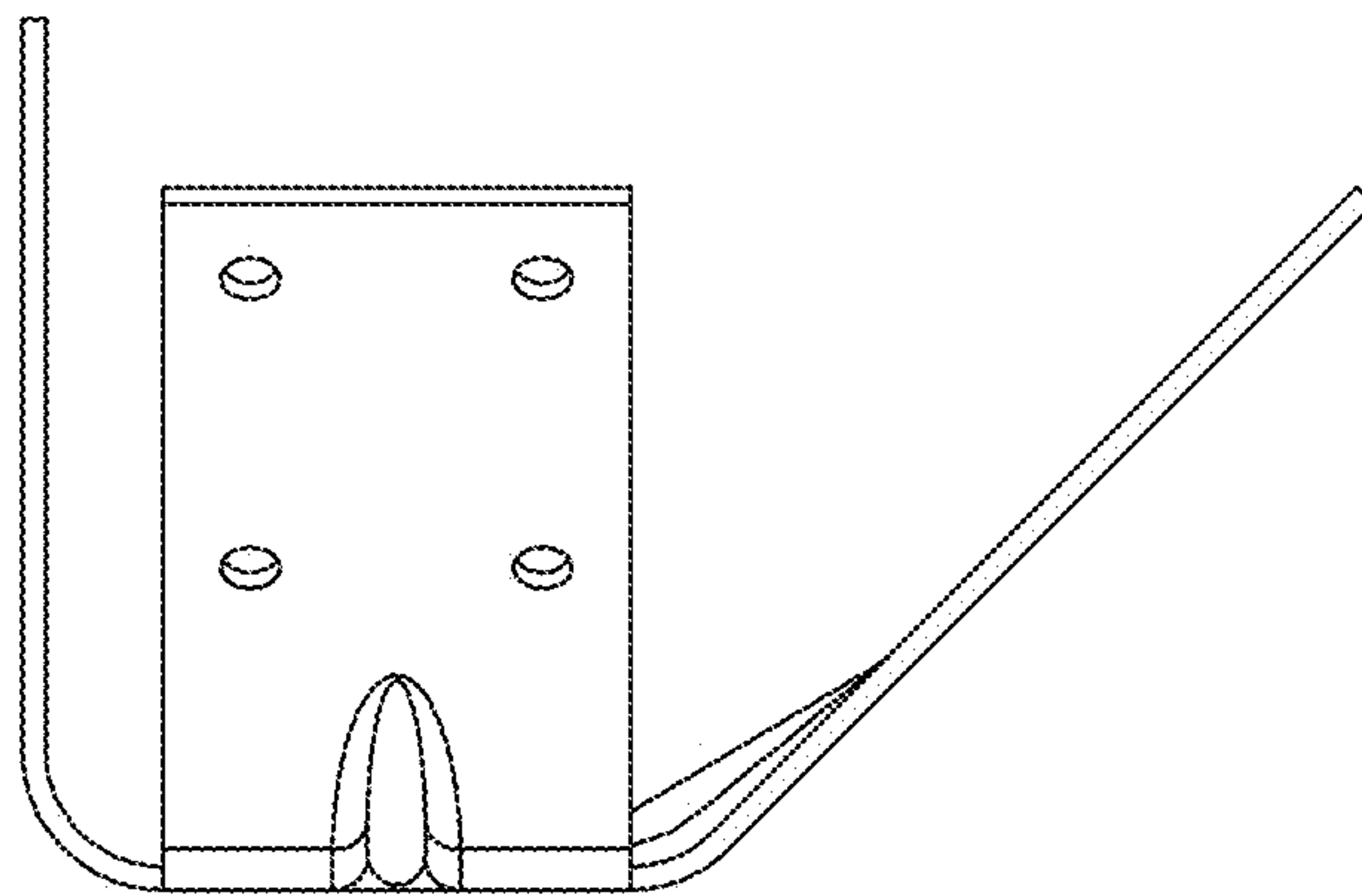


FIG. 6

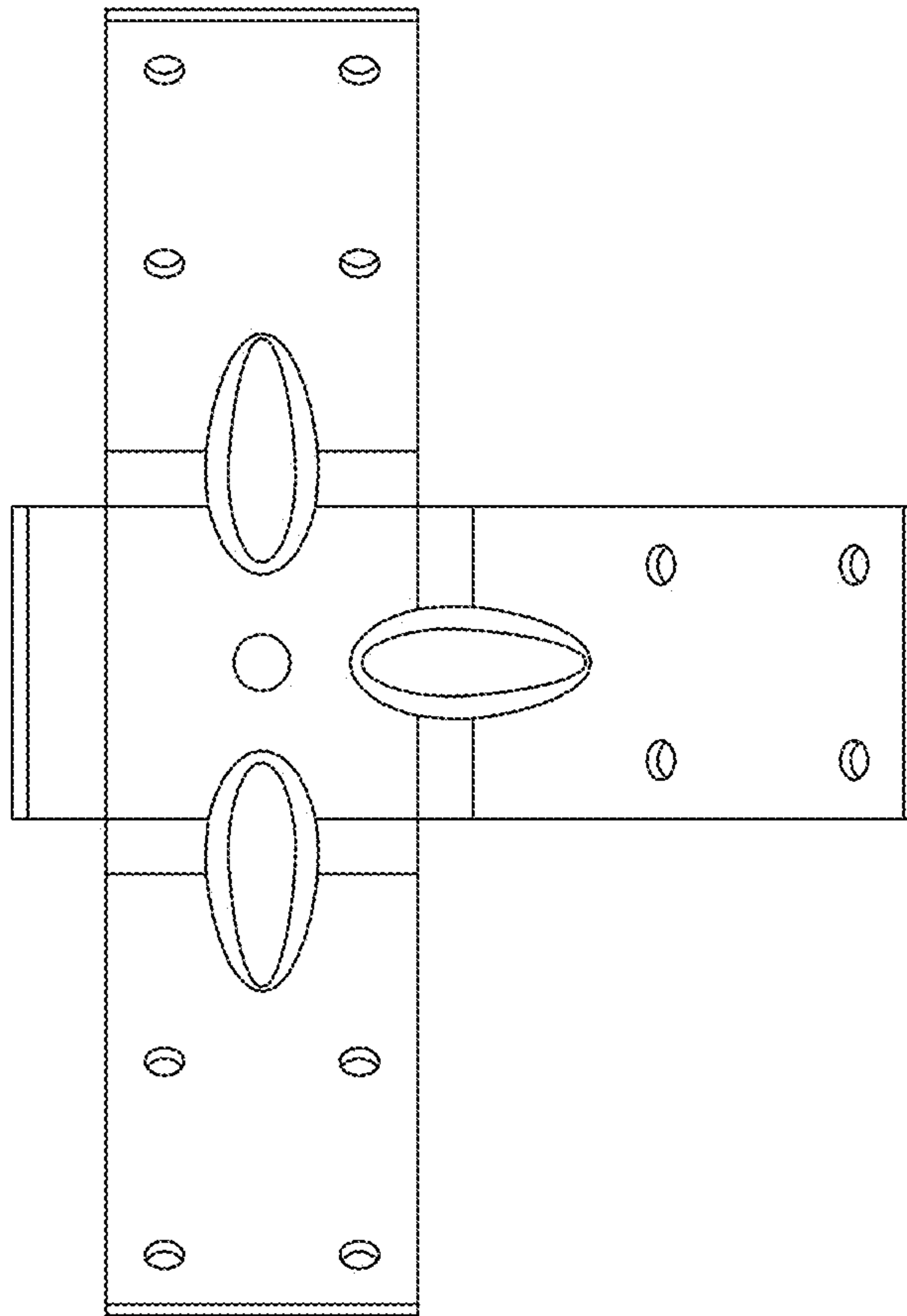


FIG. 7

