



US00D873113S

(12) **United States Design Patent** (10) **Patent No.:** **US D873,113 S**
Levand et al. (45) **Date of Patent:** **** Jan. 21, 2020**

(54) **PREP TOOL**

(71) Applicant: **THE SHERWIN-WILLIAMS COMPANY**, Cleveland, OH (US)

(72) Inventors: **Victor J. Levand**, Lyndhurst, OH (US); **Joshua R. Robertson**, Cleveland, OH (US); **Edward R. Goodwin, Jr.**, Westlake, OH (US); **Sarah Bridget Mulroy**, Rocky River, OH (US); **Sharad Gaurav**, Lakewood, OH (US); **Randi Boss**, Avon Lake, OH (US); **Michael C. Lambertson, Jr.**, Aurora, OH (US)

5,251,352 A 10/1993 Cullison
D345,289 S 3/1994 Sakai
D347,374 S 5/1994 Sakai
D347,375 S 5/1994 Sakai
D348,599 S 7/1994 Sakai
D356,723 S 3/1995 Sakai
5,450,670 A 9/1995 Sakai
D367,599 S 3/1996 Sakai
5,546,625 A 8/1996 Mealey
5,615,445 A 4/1997 Kelsay
D399,621 S 10/1998 Henke
5,822,867 A 10/1998 Sakai

(Continued)

Primary Examiner — Philip S Hyder
(74) *Attorney, Agent, or Firm* — Tucker Ellis LLP; Carlos Garritano

(73) Assignee: **SWIMC LLC**, Cleveland, OH (US)

(**) Term: **15 Years**

(21) Appl. No.: **29/629,390**

(22) Filed: **Dec. 13, 2017**

Related U.S. Application Data

(63) Continuation of application No. 29/554,068, filed on Feb. 8, 2016, now Pat. No. Des. 808,241.

(51) **LOC (12) Cl.** **08-05**

(52) **U.S. Cl.**
USPC **D8/107**

(58) **Field of Classification Search**
USPC D8/45, 107, 14, 82, 83; D4/138;
D7/395; D32/46, 49, 52
CPC B25G 1/105; B25G 1/102; B25G 1/125;
B25G 1/10; B25F 1/00; Y10T 16/44;
Y10T 16/498; Y10T 16/476; A47L
13/022
See application file for complete search history.

(56) **References Cited**

U.S. PATENT DOCUMENTS

98,949 A 1/1870 Gerelds
4,620,369 A 11/1986 Gercken

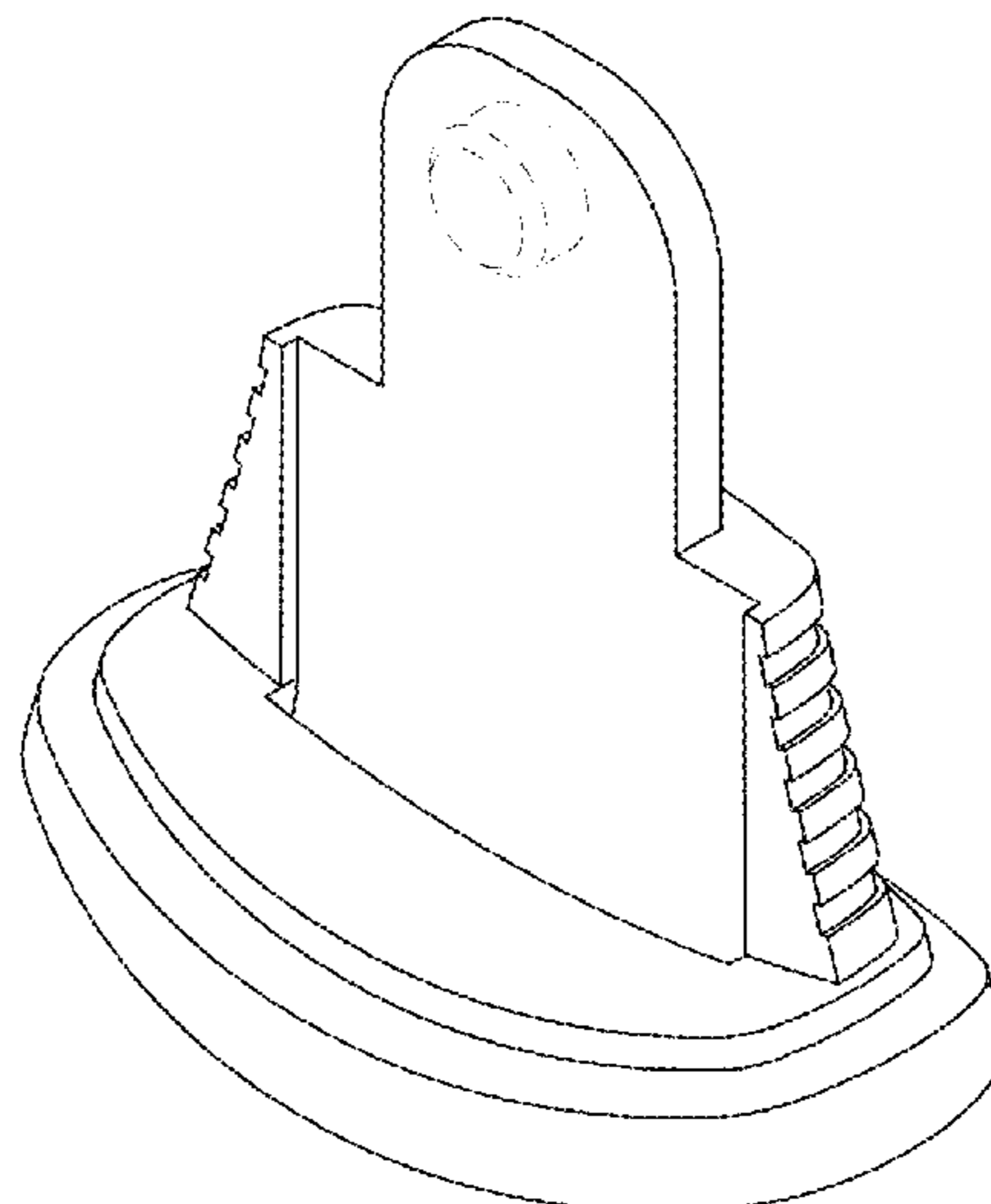
(57) **CLAIM**

The ornamental design for a prep tool, as shown and described.

DESCRIPTION

FIG. 1 is a perspective view of a portion of a prep tool showing our new design;
FIG. 2 is front view of the portion of the prep tool illustrated in FIG. 1;
FIG. 3 is a rear view of the portion of the prep tool illustrated in FIG. 1;
FIG. 4 is a left side view of the portion of the prep tool illustrated in FIG. 1;
FIG. 5 is a right side view of the portion of the prep tool illustrated in FIG. 1;
FIG. 6 is a top view of the portion of the prep tool illustrated in FIG. 1; and,
FIG. 7 is a bottom view of the portion of the prep tool illustrated in FIG. 1.
The broken lines depict portions of the prep tool in which the design is embodied that are not considered part of the claimed design.

1 Claim, 4 Drawing Sheets



(56)

References Cited

U.S. PATENT DOCUMENTS

5,887,347 A 3/1999 Gibbs
 5,956,788 A 9/1999 Henke
 5,956,799 A 9/1999 Panaccione
 5,964,035 A 10/1999 Poehlmann
 5,979,058 A 11/1999 Henke
 6,009,581 A 1/2000 Davis
 D420,887 S 2/2000 Chen
 6,131,290 A 10/2000 Chiou
 6,182,317 B1 2/2001 Huang
 D444,692 S * 7/2001 Marquardt D7/395
 D446,104 S 8/2001 Chen
 D456,236 S 4/2002 Norton
 D462,251 S * 9/2002 Collins D8/107
 D472,125 S 3/2003 Hsu
 6,530,098 B1 3/2003 Gringer
 6,668,751 B1 12/2003 Henke
 D498,124 S 11/2004 Mitchell
 6,826,836 B1 12/2004 Lin
 6,836,967 B1 1/2005 Sakai
 D534,781 S 1/2007 Chen
 D535,174 S 1/2007 Chen
 D535,541 S 1/2007 Holby
 D551,053 S * 9/2007 Bruno D8/107
 D569,215 S 5/2008 Chiu
 7,434,318 B2 10/2008 Perez
 7,587,778 B2 9/2009 Rosso
 D608,177 S 1/2010 Perlman
 D612,702 S 3/2010 Perlman
 D613,290 S * 4/2010 Arnold D14/426
 D629,578 S 12/2010 Molina

7,866,050 B2 * 1/2011 Yu B25G 3/20
 279/105
 D647,259 S * 10/2011 Ediger D32/17
 D647,260 S * 10/2011 Hollis D32/18
 8,205,341 B2 6/2012 Rosso
 8,291,597 B2 10/2012 Hawk
 8,464,382 B2 6/2013 Chu
 8,490,288 B1 7/2013 Mollick
 8,832,943 B2 9/2014 Sakai
 8,844,087 B2 9/2014 Henke
 8,844,410 B2 9/2014 Henke
 D719,433 S 12/2014 Cooper
 D733,517 S * 7/2015 Constantine D8/107
 D808,241 S * 1/2018 Levand D8/107
 2002/0073554 A1 6/2002 Chen
 2007/0074401 A1 4/2007 Myers
 2009/0084233 A1 4/2009 Rosso
 2009/0293200 A1 12/2009 Rosso
 2010/0117262 A1 5/2010 Gringer
 2010/0192381 A1 8/2010 Sakai
 2011/0030224 A1 * 2/2011 Wang E04F 21/32
 30/169
 2011/0107603 A1 5/2011 Giuntoli
 2011/0138540 A1 * 6/2011 Kinskey B25F 1/00
 7/105
 2012/0137445 A1 6/2012 Arvinte
 2012/0144678 A1 6/2012 Chen
 2012/0227552 A1 * 9/2012 Henke B25G 1/10
 81/490
 2012/0246946 A1 10/2012 Kreitz
 2013/0227794 A1 9/2013 Wang

* cited by examiner

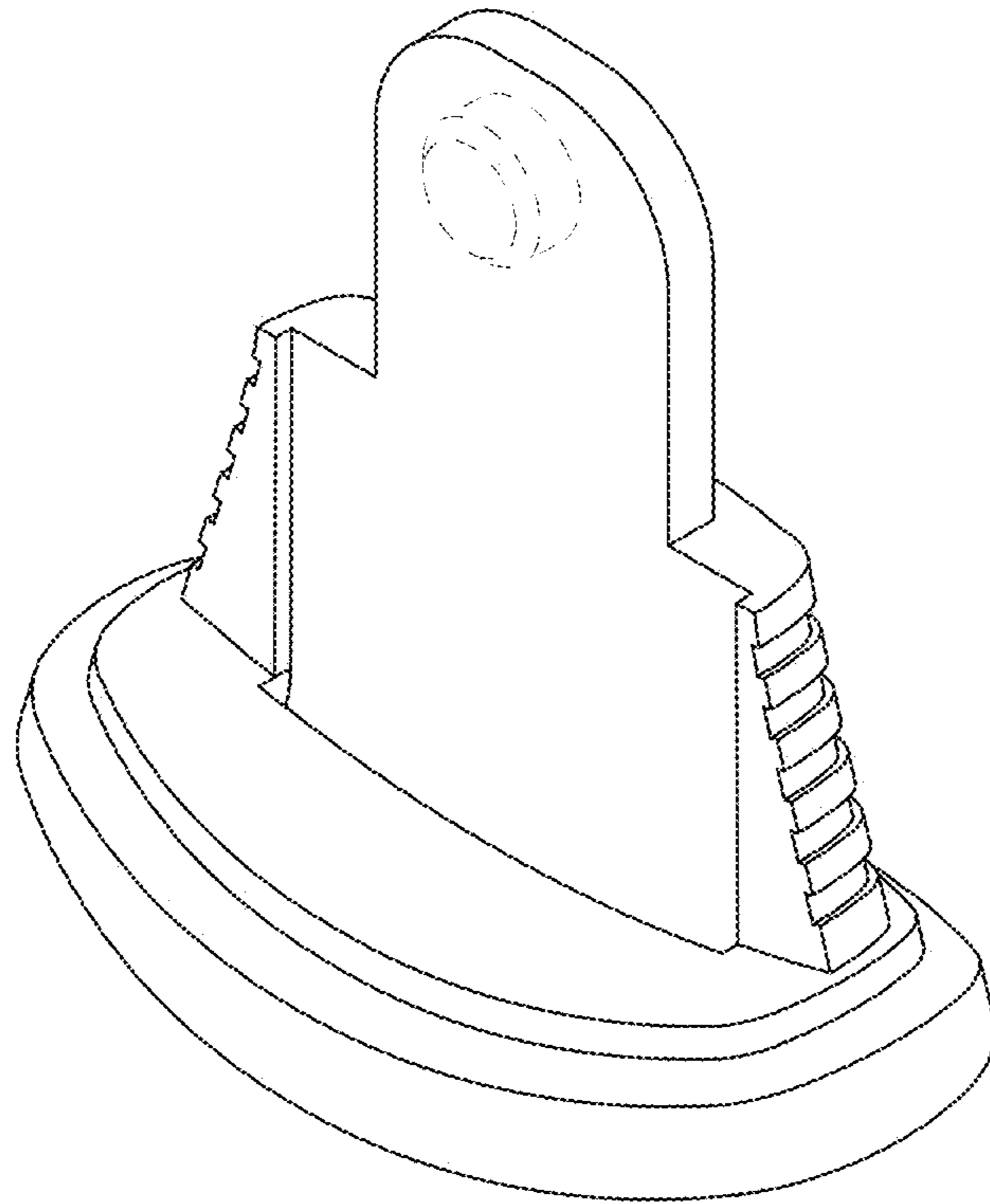


FIG. 1

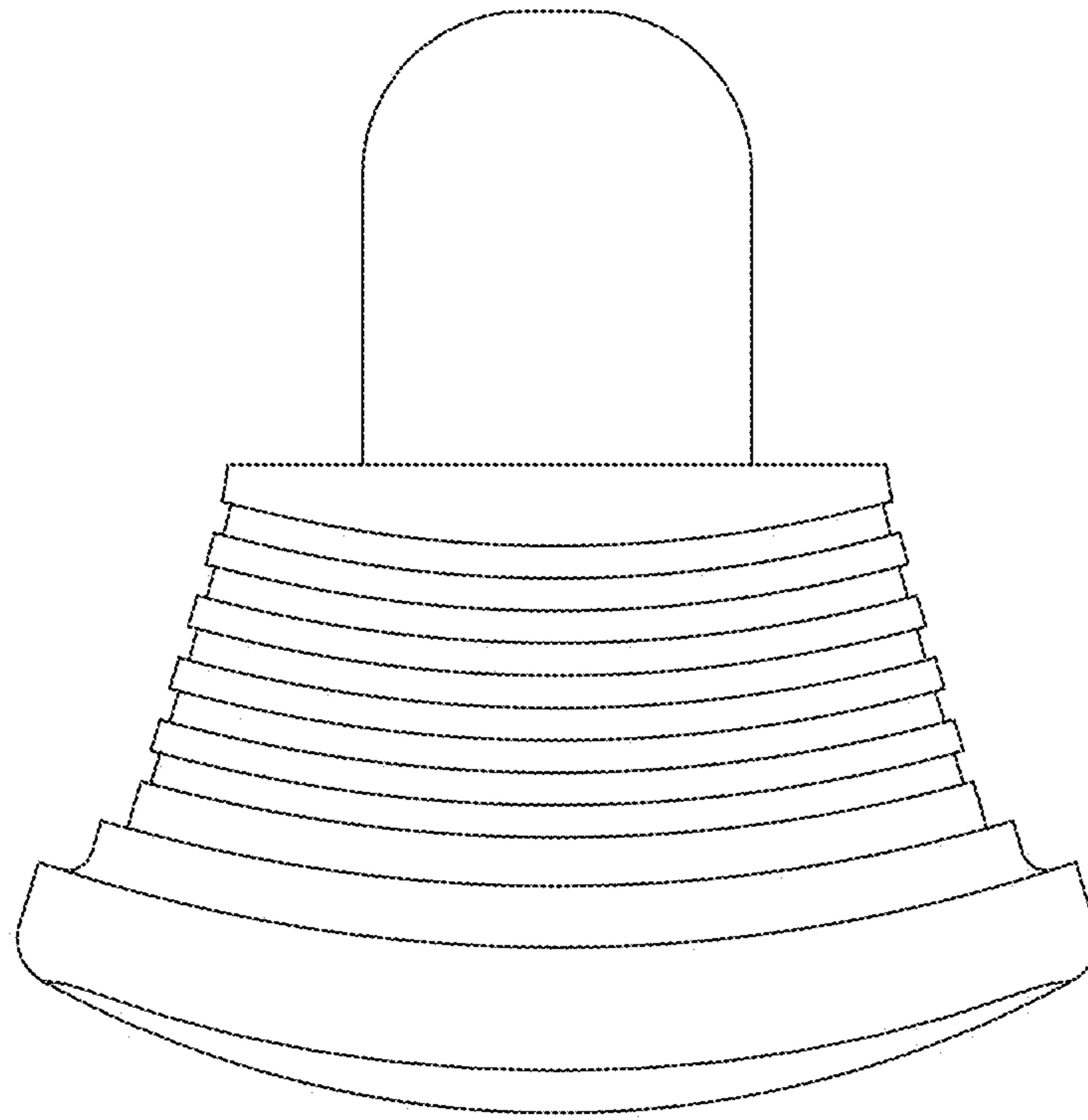


FIG. 2

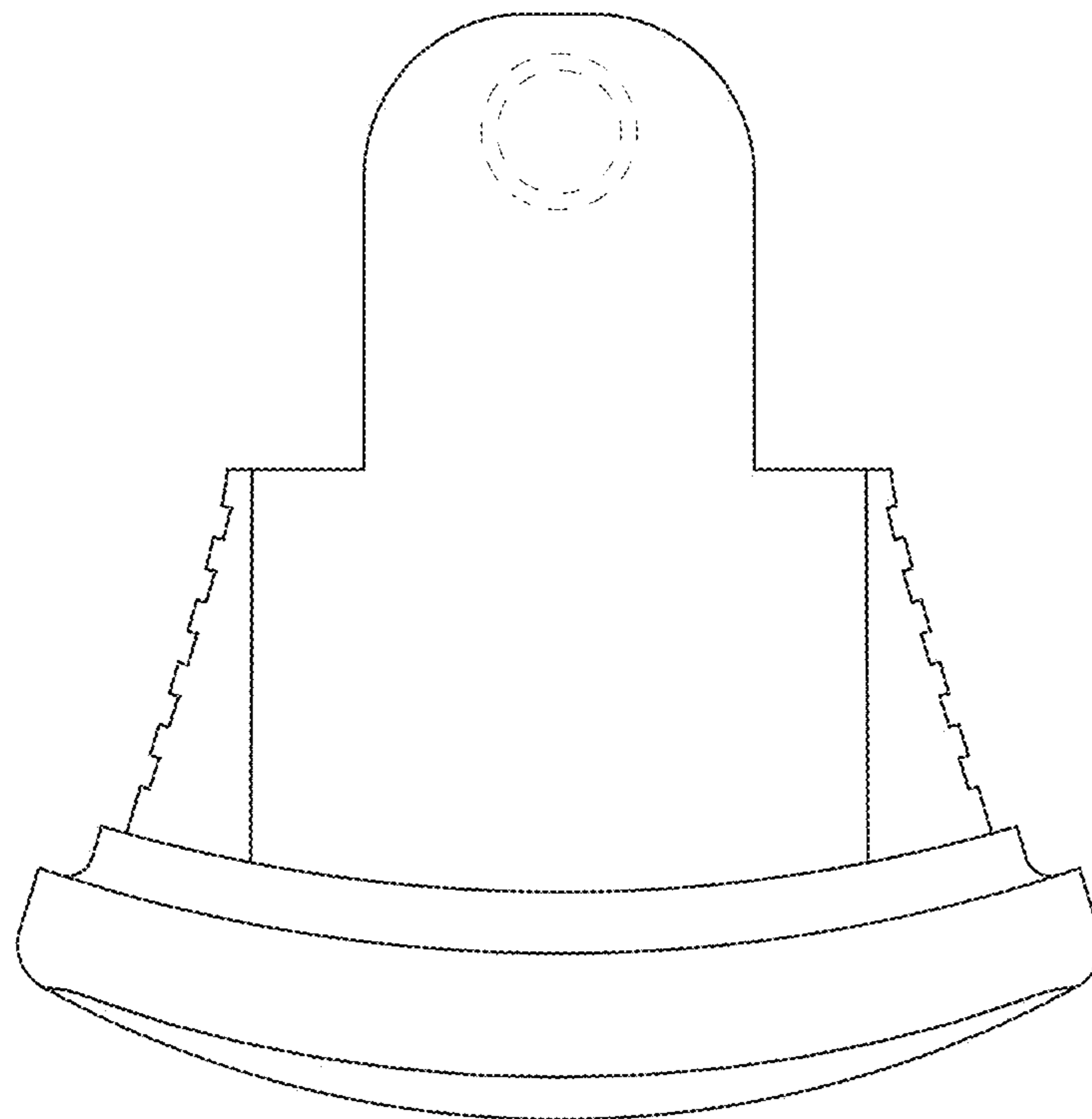


FIG. 3

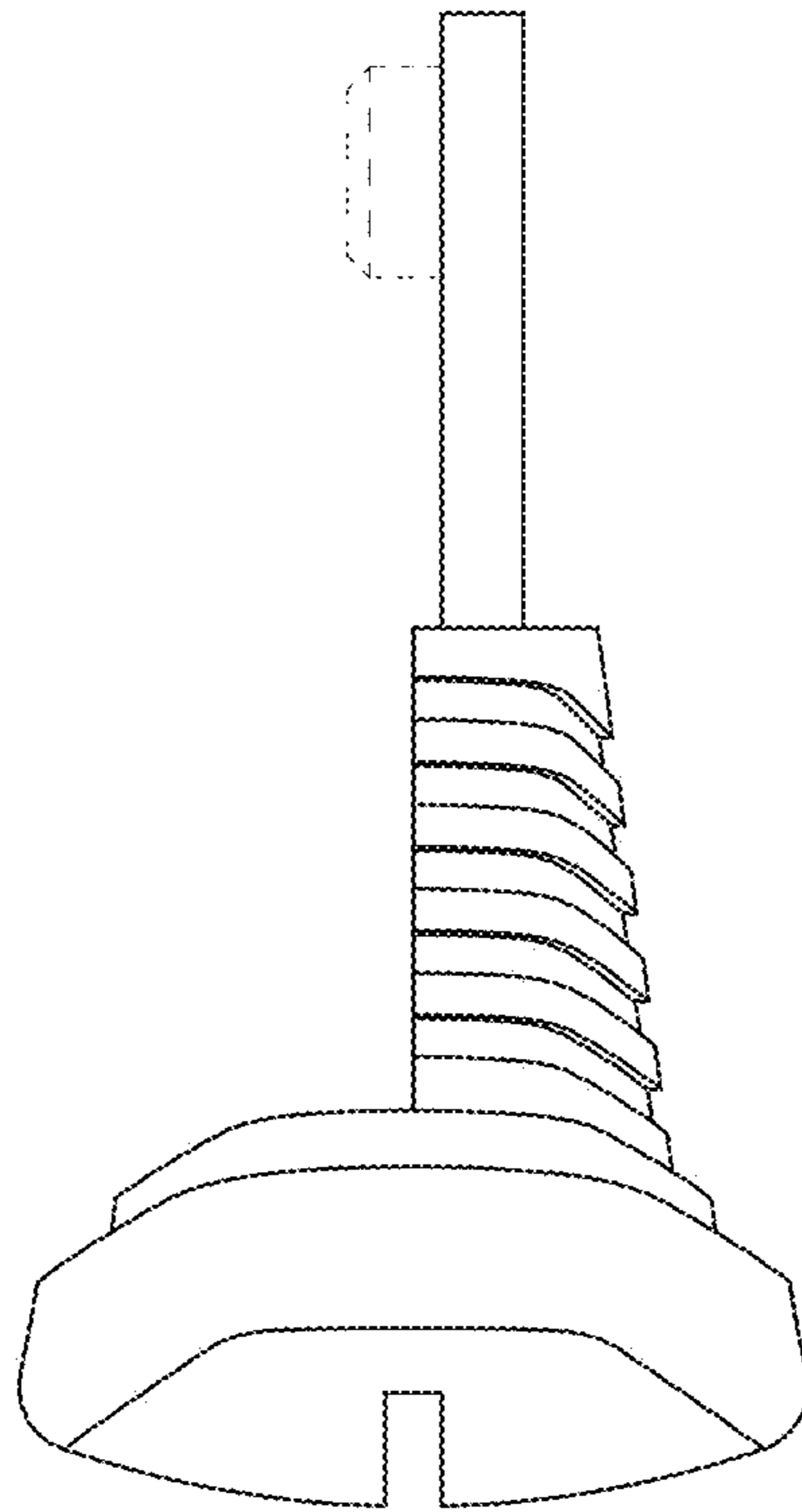


FIG. 4

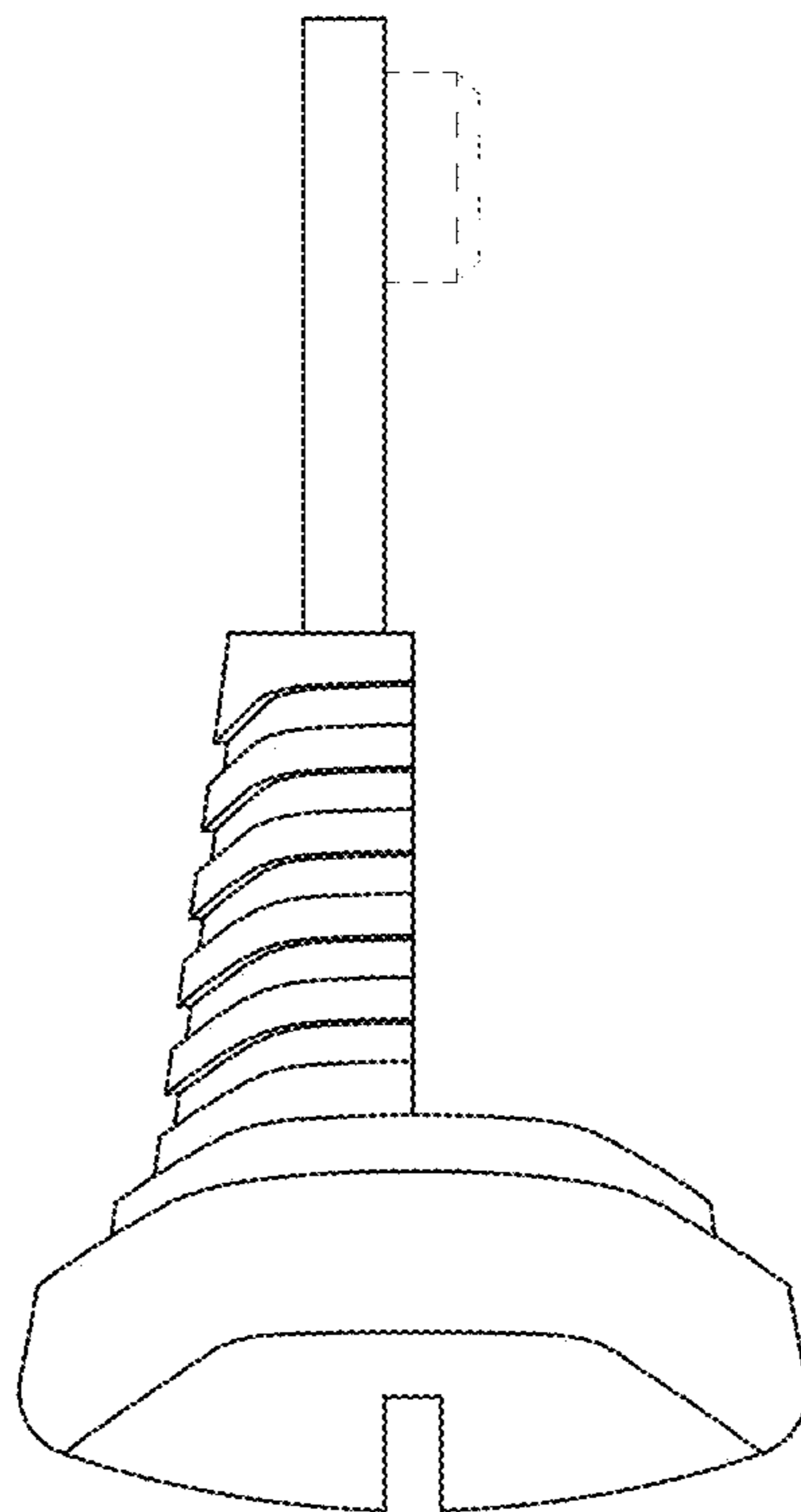


FIG. 5

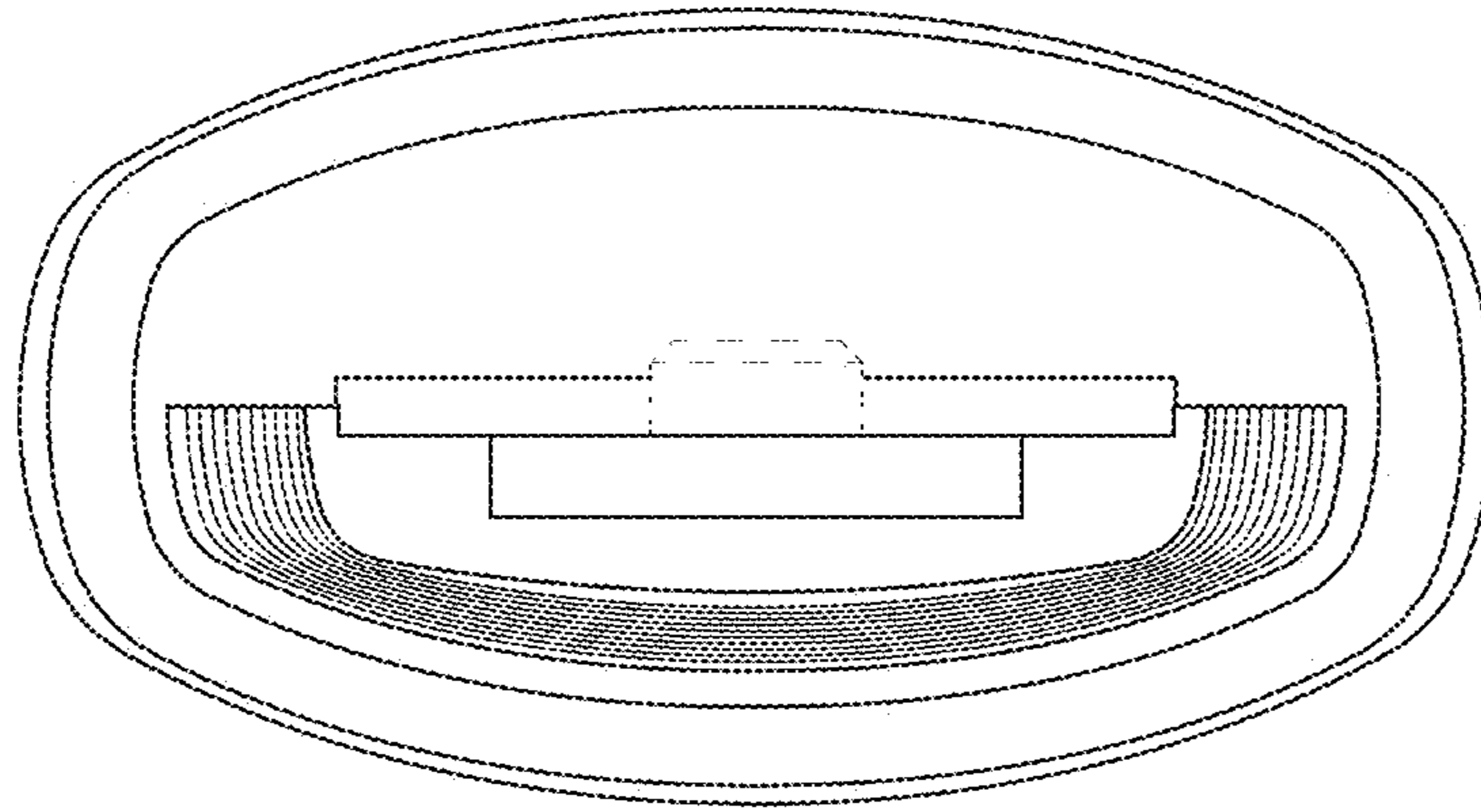


FIG. 6

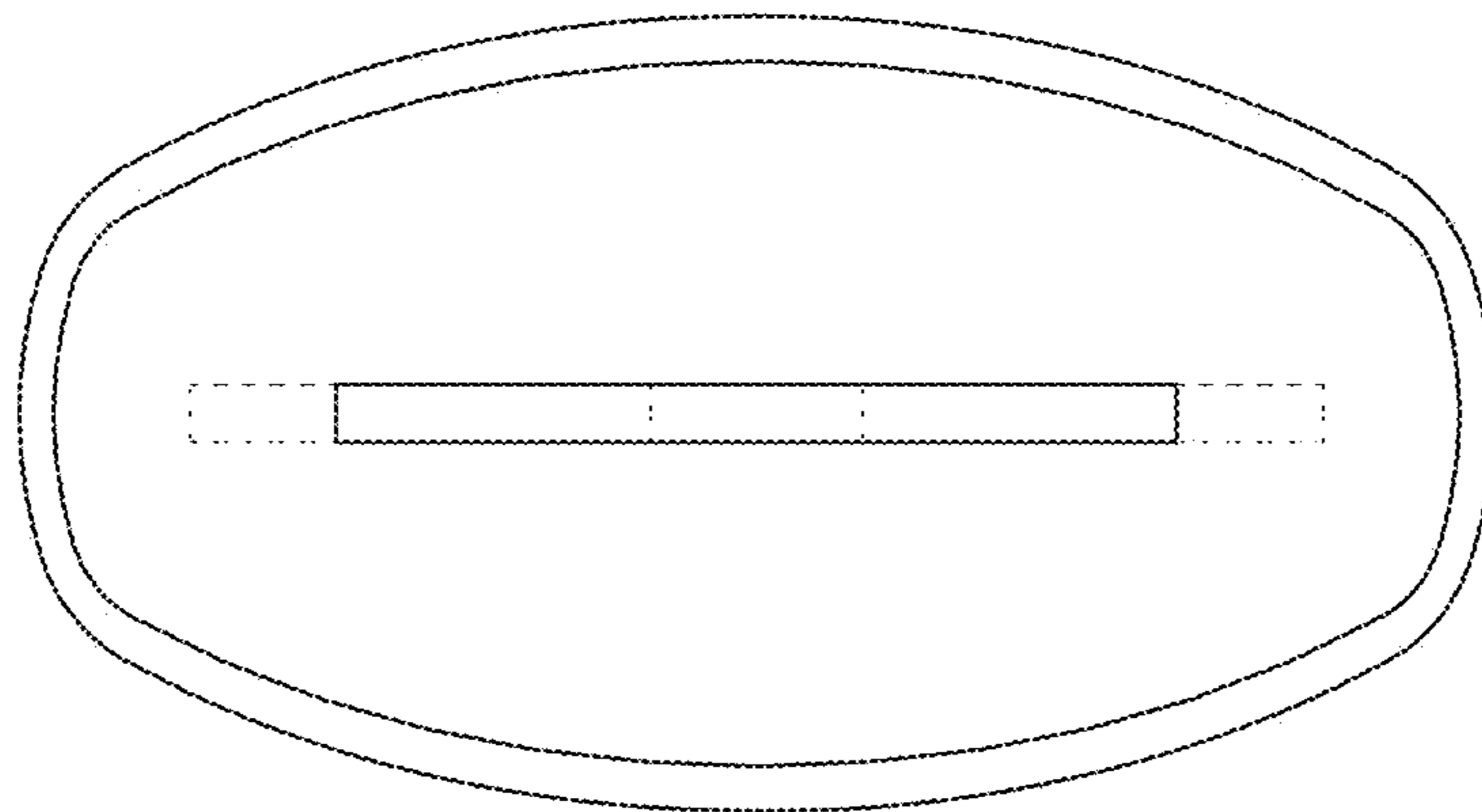


FIG. 7