



US00D873112S

(12) **United States Design Patent** (10) **Patent No.:** **US D873,112 S**
Bond (45) **Date of Patent:** **** Jan. 21, 2020**

(54) **CARABINER MULTI-TOOL**
(71) Applicant: **Michael S. Bond**, Honolulu, HI (US)
(72) Inventor: **Michael S. Bond**, Honolulu, HI (US)
(**) Term: **15 Years**
(21) Appl. No.: **29/606,169**
(22) Filed: **Jun. 2, 2017**
(51) **LOC (12) Cl.** **08-05**
(52) **U.S. Cl.**
USPC **D8/105**
(58) **Field of Classification Search**
USPC D8/16-21, 33, 40, 89, 105, 26, 85, 87,
D8/81, 98, 76; D3/208, 210, 211;
D10/86; D29/124; D22/117, 118;
D11/2, 43, 79, 85; D7/643, 653, 662,
D7/663, 664; D27/141
CPC ... B25F 1/006; B25F 1/04; A62B 3/00; A62B
3/005; B25D 1/00; F41B 13/00; B23D
49/10; B25B 15/008; F23Q 1/06; A47G
21/04; F41C 23/00
See application file for complete search history.

(56) **References Cited**

U.S. PATENT DOCUMENTS

5,025,520 A * 6/1991 Watkins B25F 1/04
33/530
D444,685 S * 7/2001 Shenkel D3/208
D449,975 S * 11/2001 Smith D8/356
D484,770 S * 1/2004 Green D8/105
D513,579 S * 1/2006 Barber D8/105
D588,885 S * 3/2009 Barber D8/105
D600,506 S * 9/2009 Miltner D7/649
D602,324 S * 10/2009 Hancock D8/98
D618,075 S * 6/2010 Huang D8/20
D622,574 S * 8/2010 Garcia D8/105
8,087,115 B2 * 1/2012 Barber B25F 1/04
7/158
D726,517 S * 4/2015 Fischer D8/17

D739,713 S * 9/2015 Kelleghan D8/356
D747,947 S * 1/2016 Ma D8/105
9,339,940 B2 * 5/2016 Pelton B26B 29/025
D765,495 S * 9/2016 Schmid D8/356
D770,250 S * 11/2016 Fischer D8/17
D799,297 S * 10/2017 Manor D8/105
9,840,001 B2 * 12/2017 Neubauer B25B 15/005
D808,240 S * 1/2018 Kelleghan D8/105
9,919,435 B1 * 3/2018 Enguita B25F 1/006
2005/0144730 A1 * 7/2005 Barber B25B 7/22
7/138

(Continued)

OTHER PUBLICATIONS

Para-Biner V2, Ti2 Design, project launched on Jun. 2, 2017 on
kickstarter.com, retrieved on Oct. 22, 2018, retrieved from the
Internet URL: <https://www.kickstarter.com/projects/mikebond/ti2-para-biner-v2/updates>.*

(Continued)

Primary Examiner — Jennifer Rivard
Assistant Examiner — Alison M Ofstun
(74) *Attorney, Agent, or Firm* — Harold H. Bennett, II

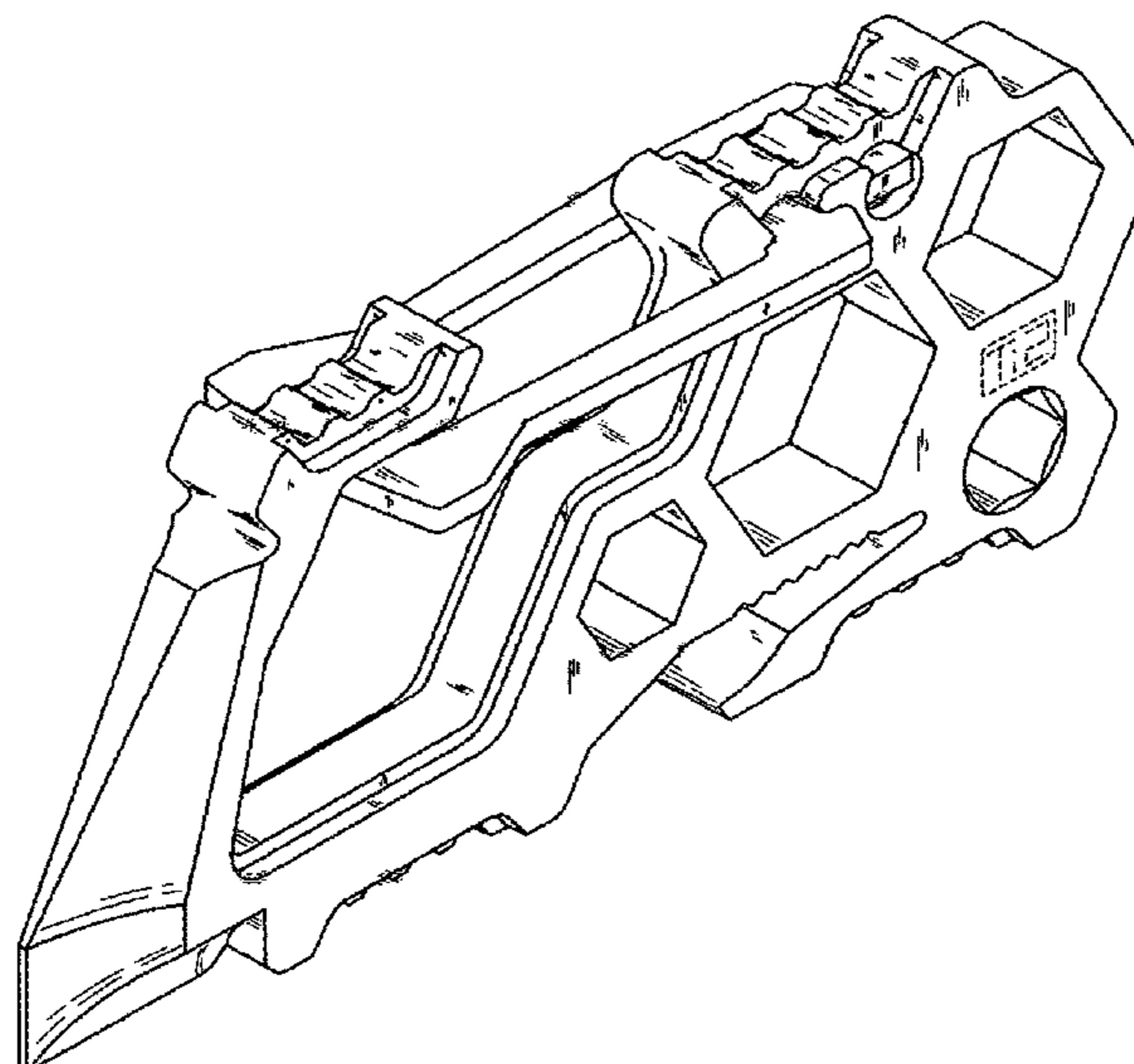
(57) **CLAIM**

The ornamental design for a carabiner multi-tool, as shown
and described.

DESCRIPTION

FIG. 1 is a front perspective view of a carabiner multi-tool;
showing my new design.
FIG. 2 is a top plan view thereof.
FIG. 3 is a right side elevational view thereof.
FIG. 4 is a front elevational view thereof.
FIG. 5 is a left side elevational view thereof.
FIG. 6 is a rear elevational view thereof; and,
FIG. 7 is a bottom plan view thereof.
Features represented in broken lines form no part of the
claimed design.

1 Claim, 4 Drawing Sheets



(56)

References Cited

U.S. PATENT DOCUMENTS

2010/0088899 A1* 4/2010 Garcia B26B 1/04
30/123
2014/0059782 A1* 3/2014 Duncan B25F 1/00
7/138
2017/0066118 A1* 3/2017 Berman B25F 1/04

OTHER PUBLICATIONS

“Ti2 Whar-biner” by Michael S. Bond, Feb. 2015 https://www.kickstarter.com/projects/mikebond/ti2-whar-biner?ref=user_menu.
“Ti2 Para-Biner” by Michael S. Bond, Aug. 2013 https://www.kickstarter.com/projects/mikebond/ti2-para-biner?ref=created_projects.

* cited by examiner

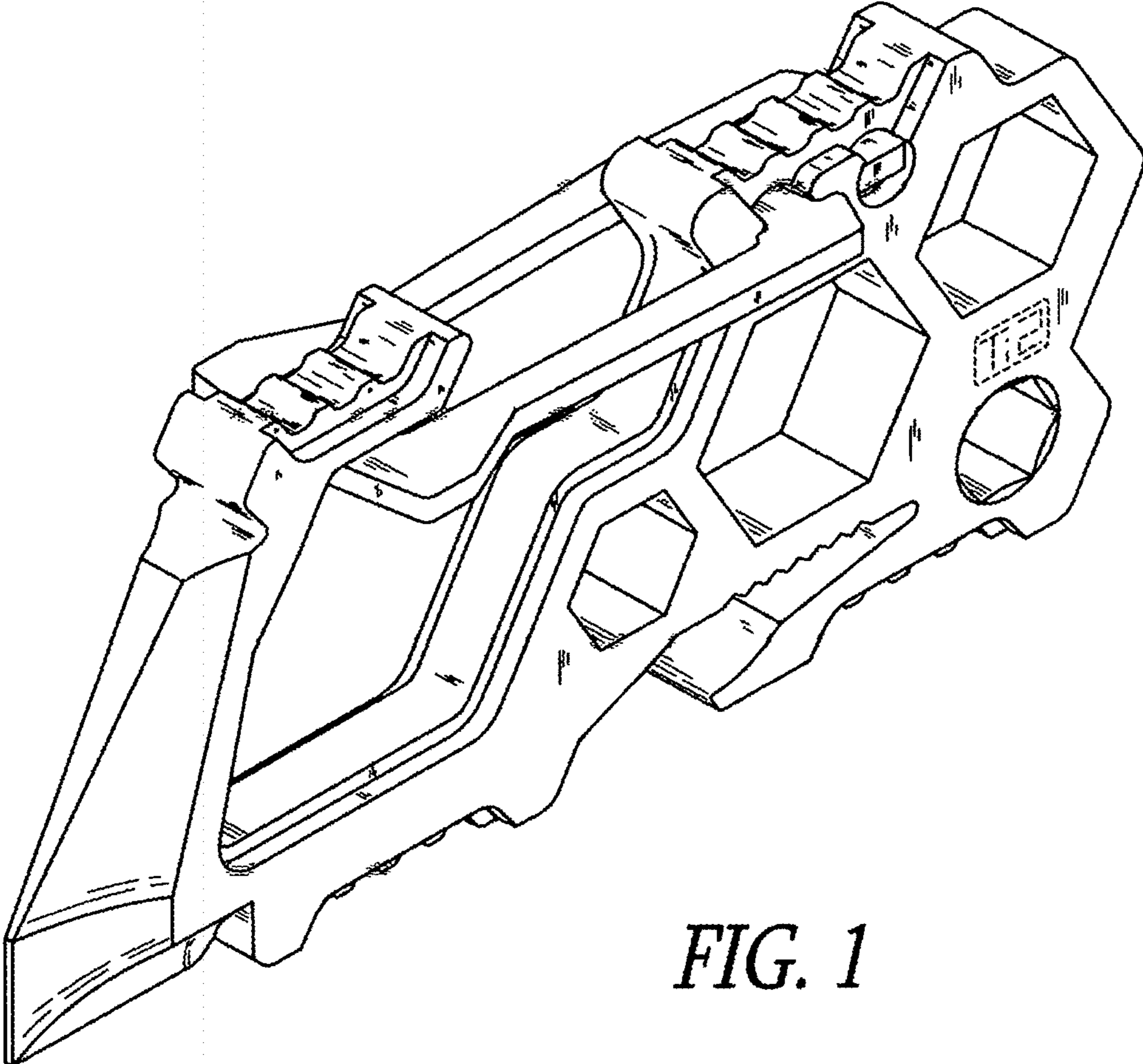


FIG. 1

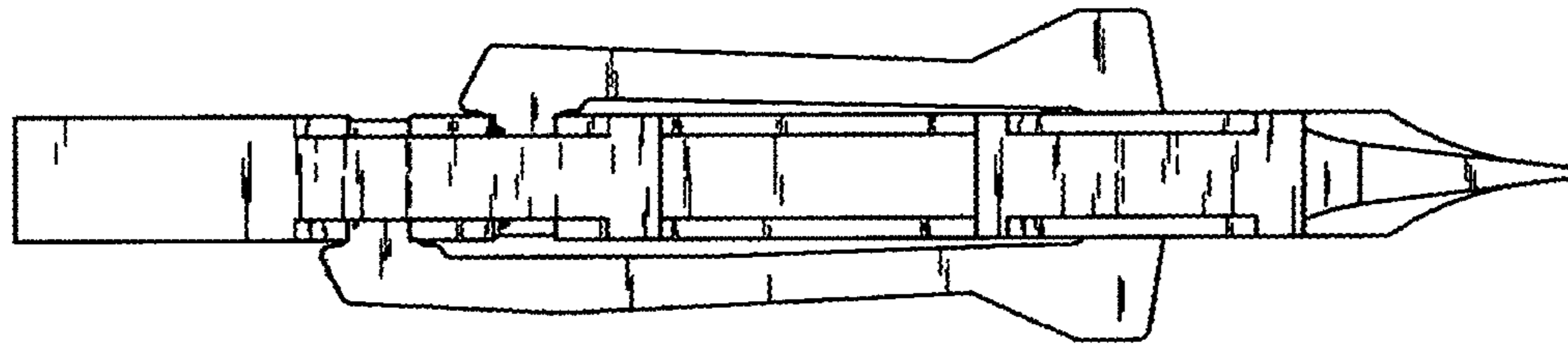


FIG. 2

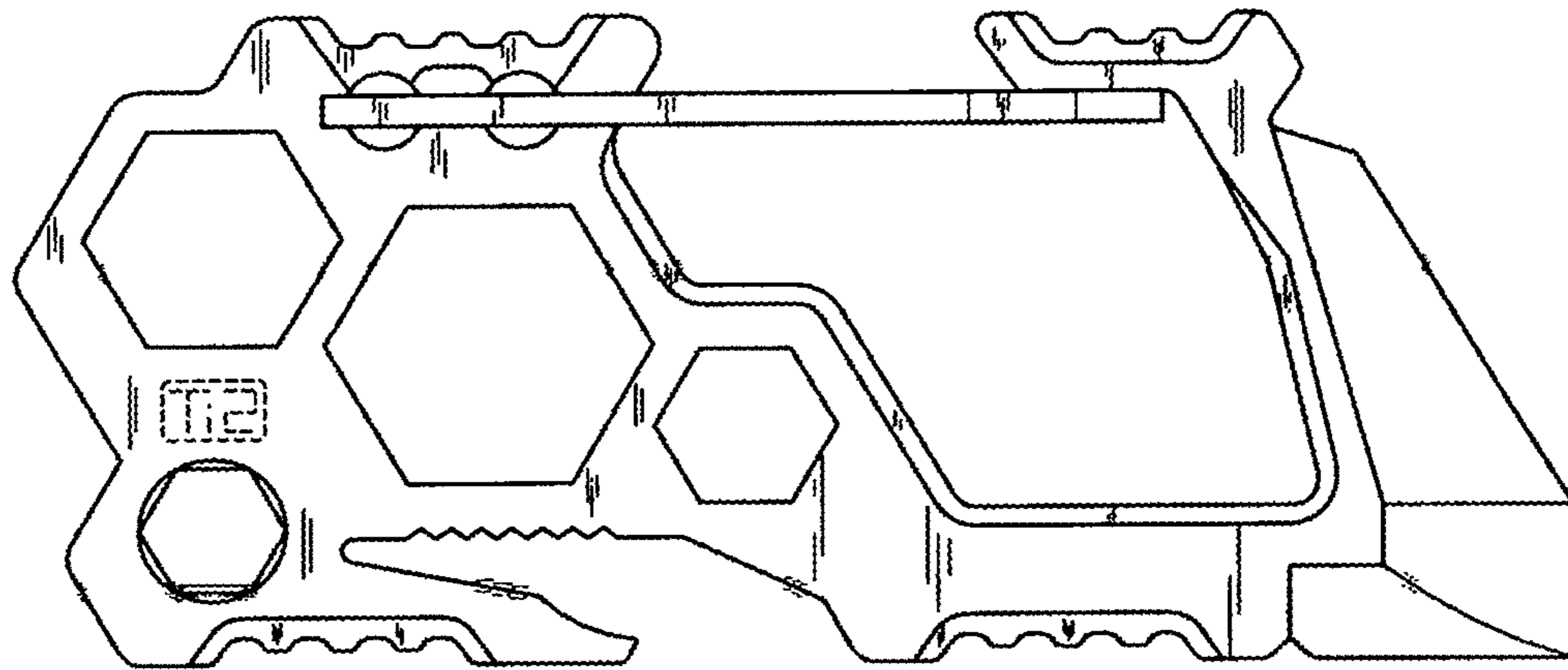


FIG. 3

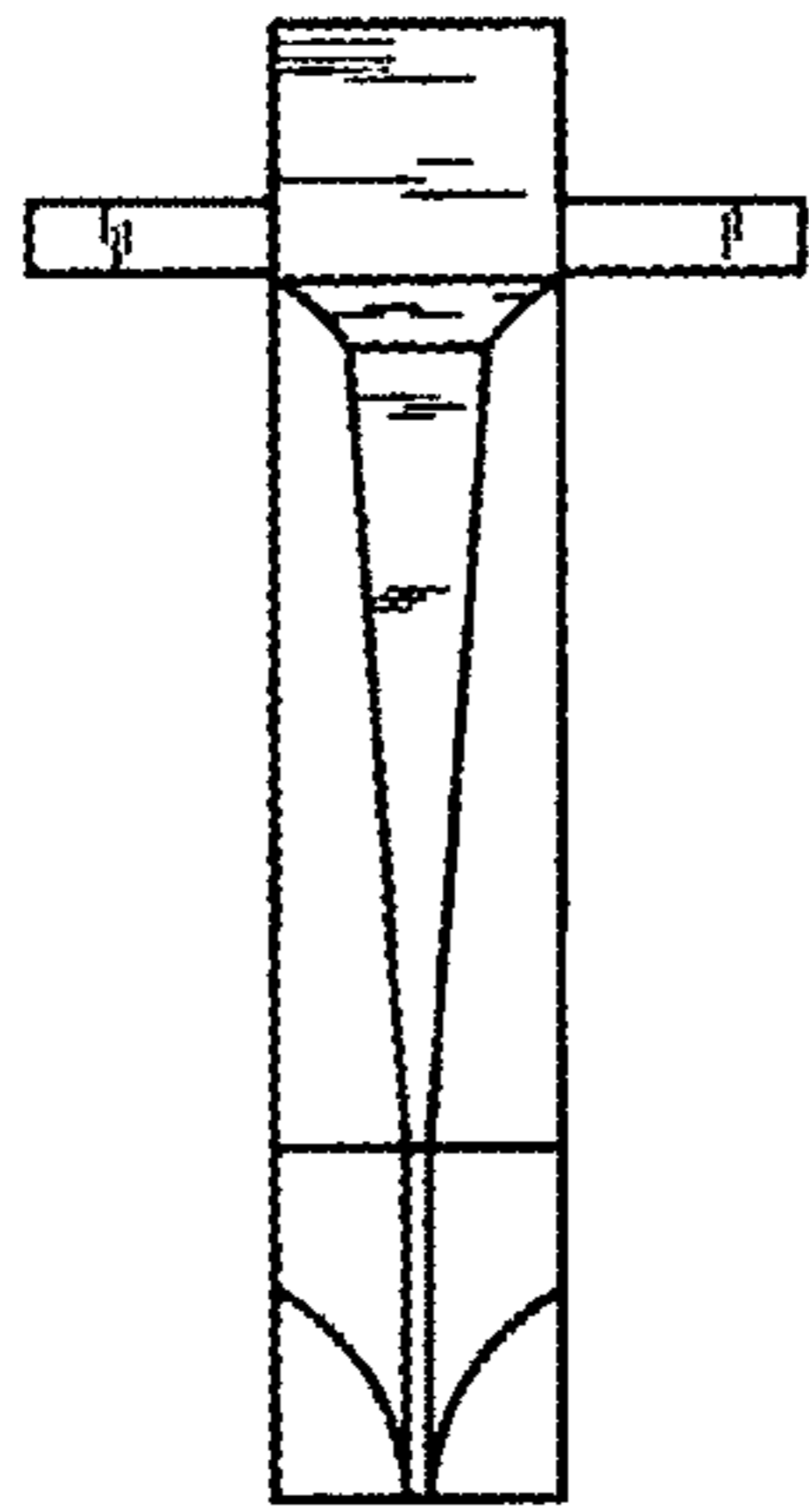


FIG. 4

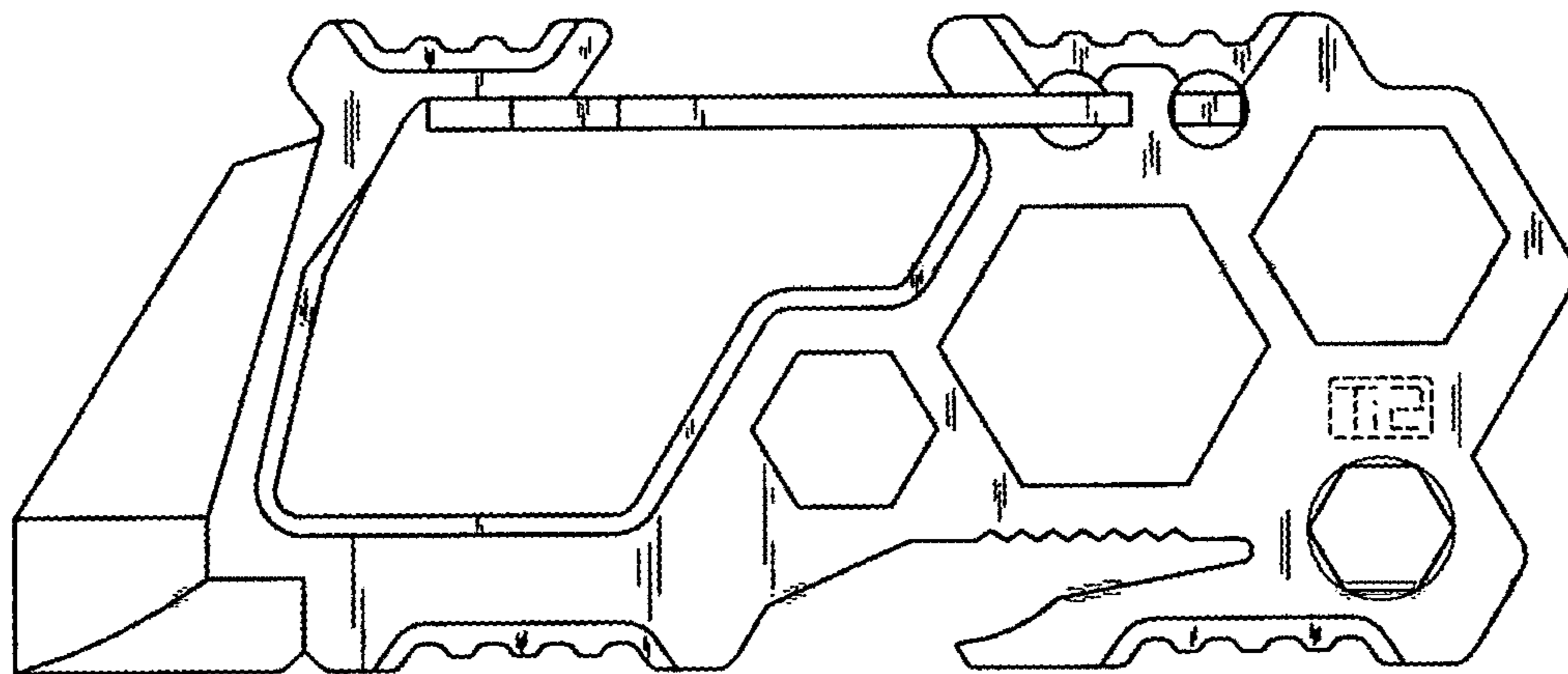


FIG. 5

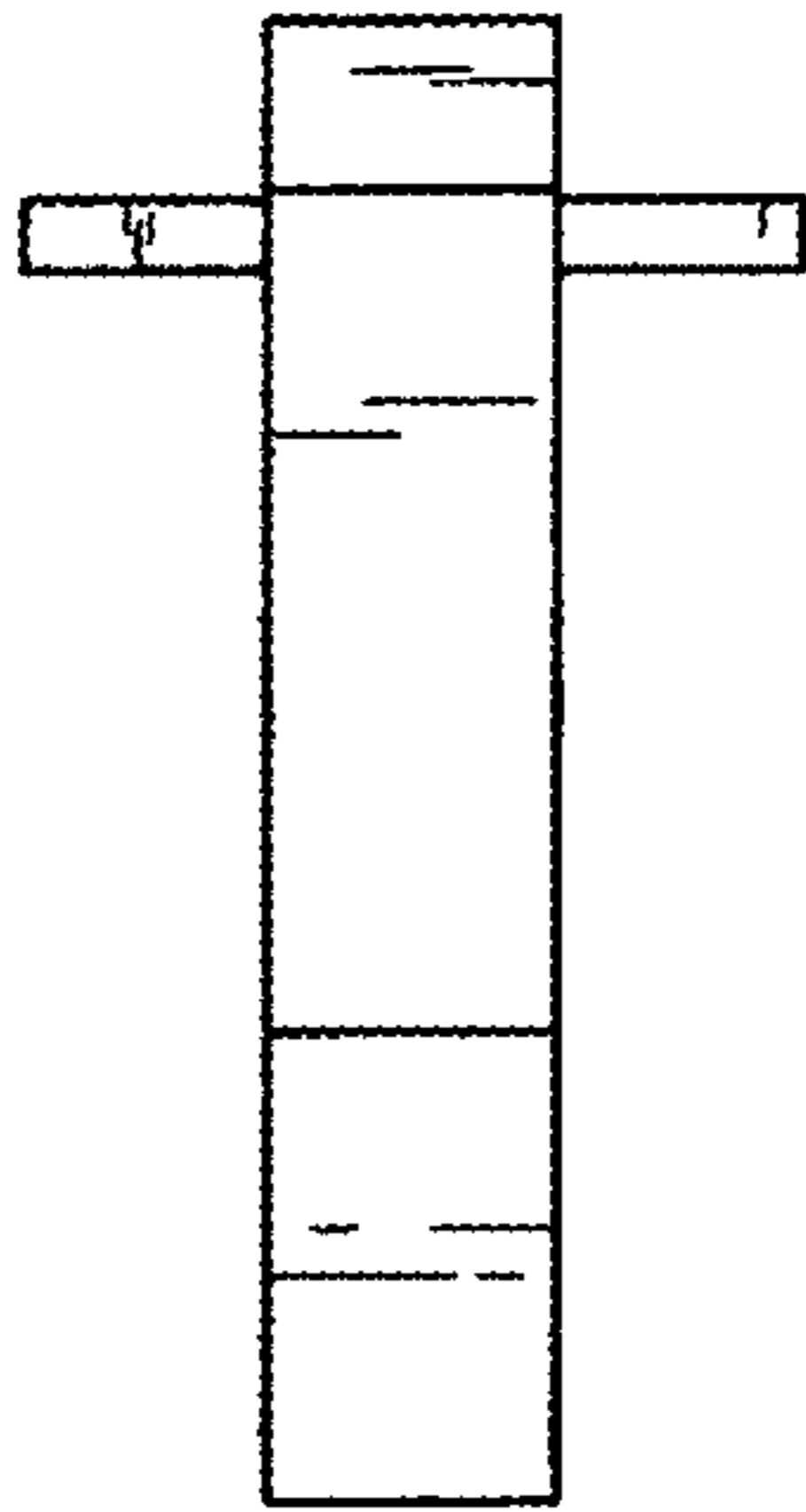


FIG. 6

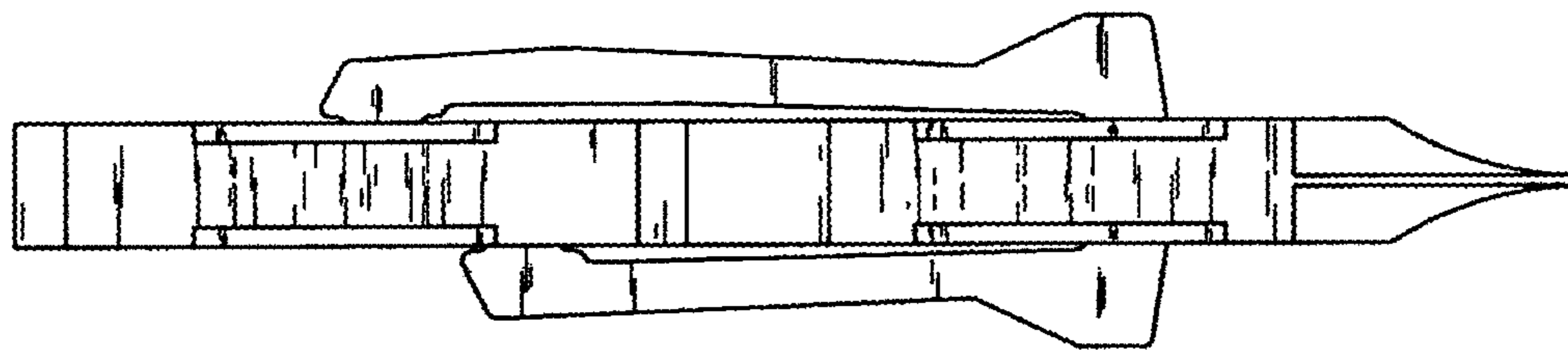


FIG. 7