



US00D873110S

(12) **United States Design Patent**
Knop, Sr.

(10) **Patent No.:** **US D873,110 S**
(45) **Date of Patent:** **** Jan. 21, 2020**

(54) **PIPE CLAMP**

(71) Applicant: **Robert J Knop, Sr.**, Moores Hill, IN
(US)

(72) Inventor: **Robert J Knop, Sr.**, Moores Hill, IN
(US)

(**) Term: **15 Years**

(21) Appl. No.: **29/659,768**

(22) Filed: **Aug. 12, 2018**

(51) **LOC (12) Cl.** **08-05**

(52) **U.S. Cl.**
USPC **D8/73**

(58) **Field of Classification Search**
USPC D24/71-74, 394-399, 59; 248/63, 72,
248/74.1, 689, 124.2; 81/487, 385, 386,
81/388-390; 269/3, 4, 6, 143, 165, 240,
269/243, 246-249, 254 R, 147-149;
29/256, 257, 276; 408/103, 104-109
CPC B25B 1/00; B25B 5/00
See application file for complete search history.

(56) **References Cited**

U.S. PATENT DOCUMENTS

- 1,498,638 A * 6/1924 Periolat B25B 5/101
269/47
- 3,883,926 A * 5/1975 Reynolds F16B 2/245
248/74.1
- 3,902,931 A * 9/1975 Danciger A47F 5/06
248/227.3
- 3,981,491 A * 9/1976 Snyder B25B 5/147
269/64

- D266,274 S * 9/1982 Arns D25/67
- D310,780 S * 9/1990 Kelley D8/356
- 5,138,917 A * 8/1992 Kirschner B25B 5/101
81/164
- 5,800,099 A * 9/1998 Cooper B23B 47/281
408/1 R
- D558,021 S * 12/2007 Lawrence D8/396
- D670,159 S * 11/2012 Bitarchas D8/394
- 8,608,143 B2 * 12/2013 Williams B23K 37/0533
269/143
- 8,727,291 B2 * 5/2014 Scoggins B25B 5/10
248/226.11
- D841,505 S * 2/2019 Machijima D10/103

* cited by examiner

Primary Examiner — David G Muller

(74) *Attorney, Agent, or Firm* — Neal O. Willman; Adam Mathews

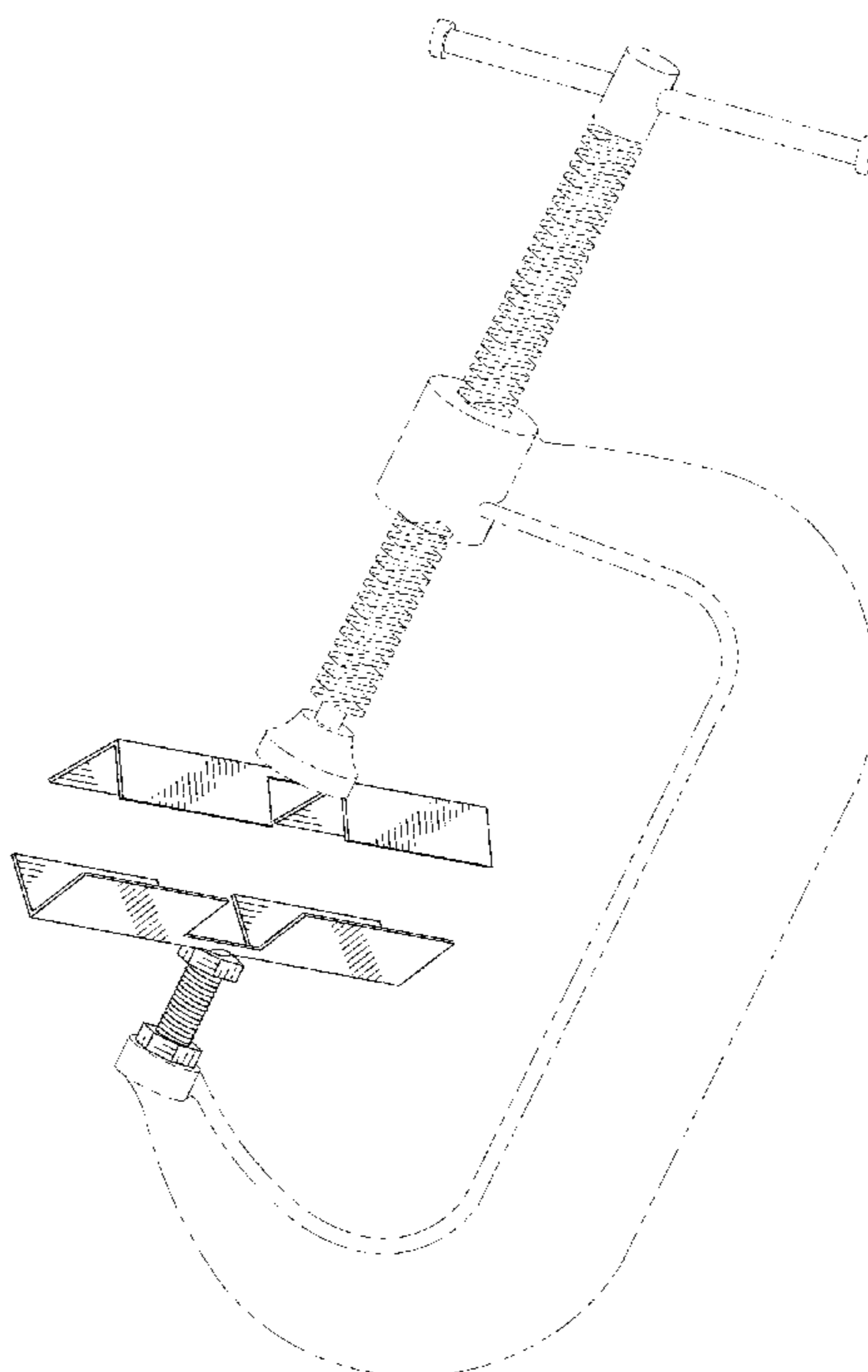
(57) **CLAIM**

I claim the ornamental design for the pipe clamp, as shown and described.

DESCRIPTION

FIG. 1 is a perspective view of a pipe clamp showing my new design;
 FIG. 2 is an elevated right side view thereof, the left side being a mirror image;
 FIG. 3 is an elevated front end view thereof;
 FIG. 4 is an elevated back end view thereof;
 FIG. 5 is a top plan view thereof; and,
 FIG. 6 is a bottom plan view thereof.
 The C-clamp depicted in broken line is shown for illustrative purposes only and forms no part of the claimed design.

1 Claim, 6 Drawing Sheets



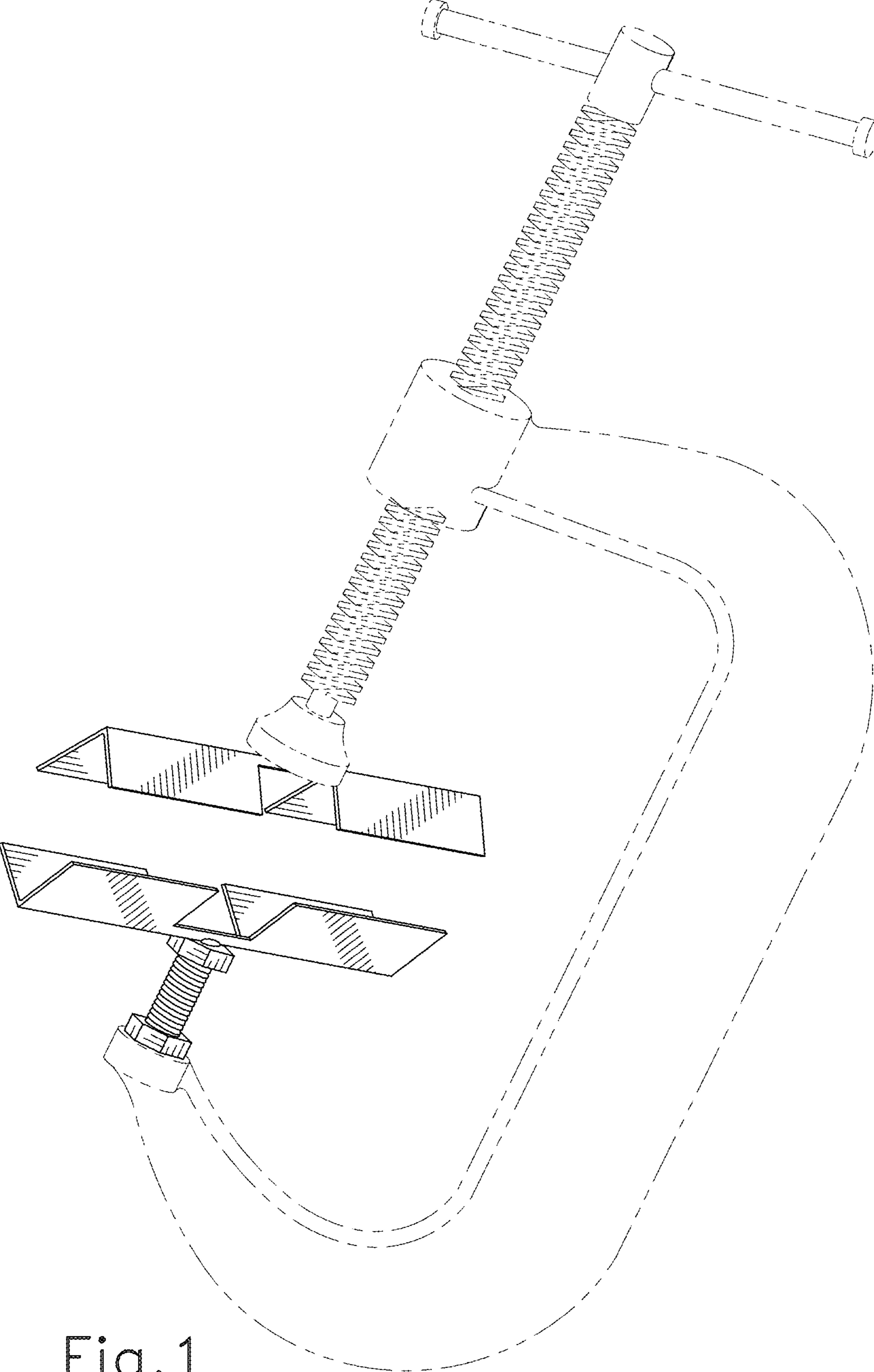


Fig. 1

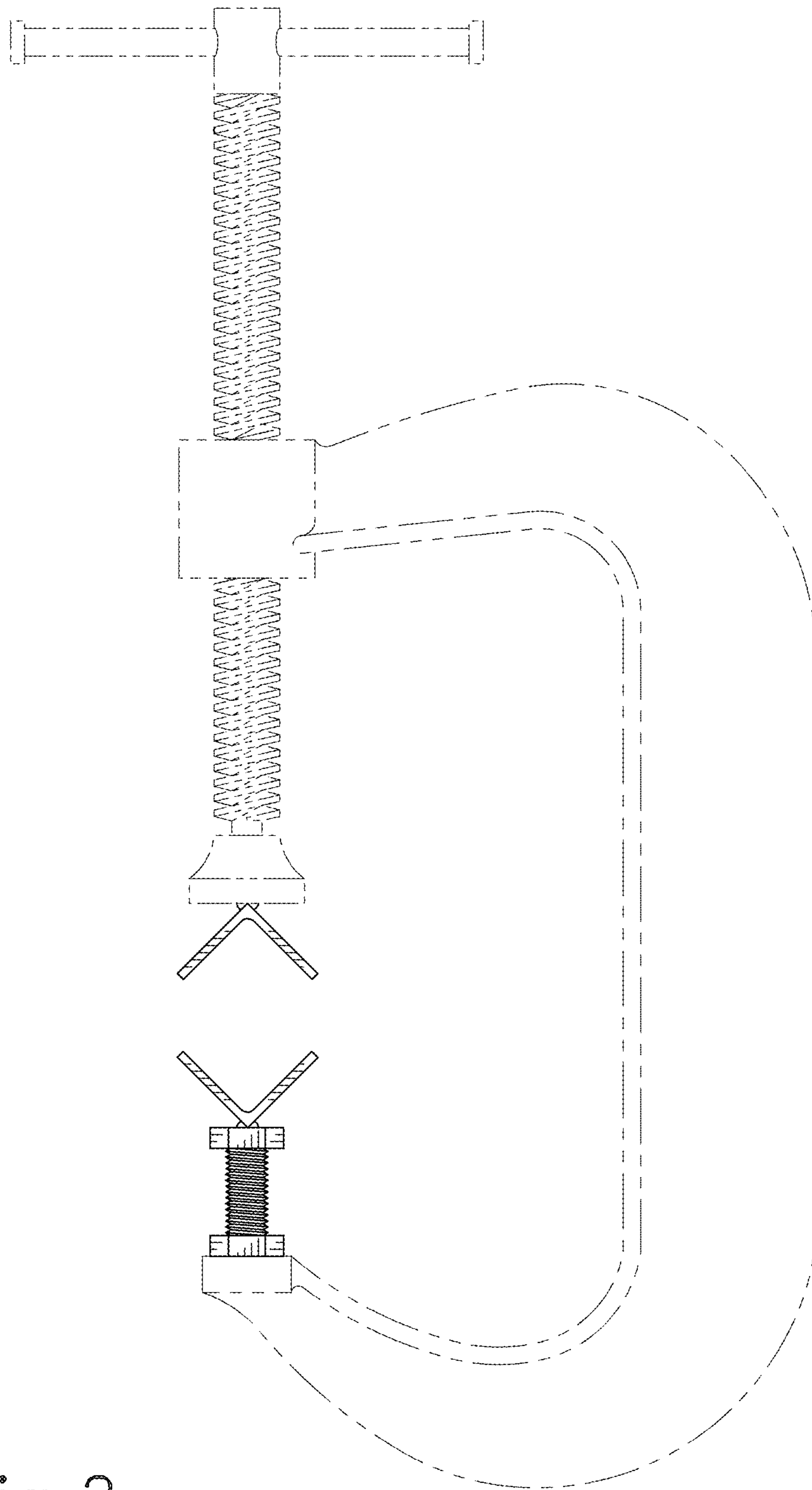


Fig. 2

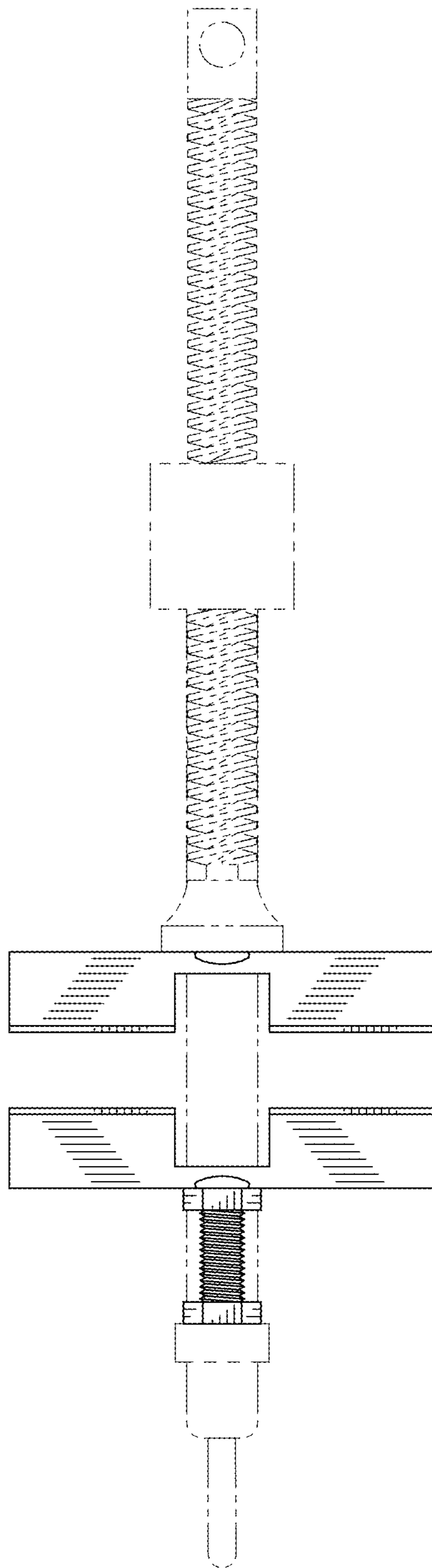


Fig.3

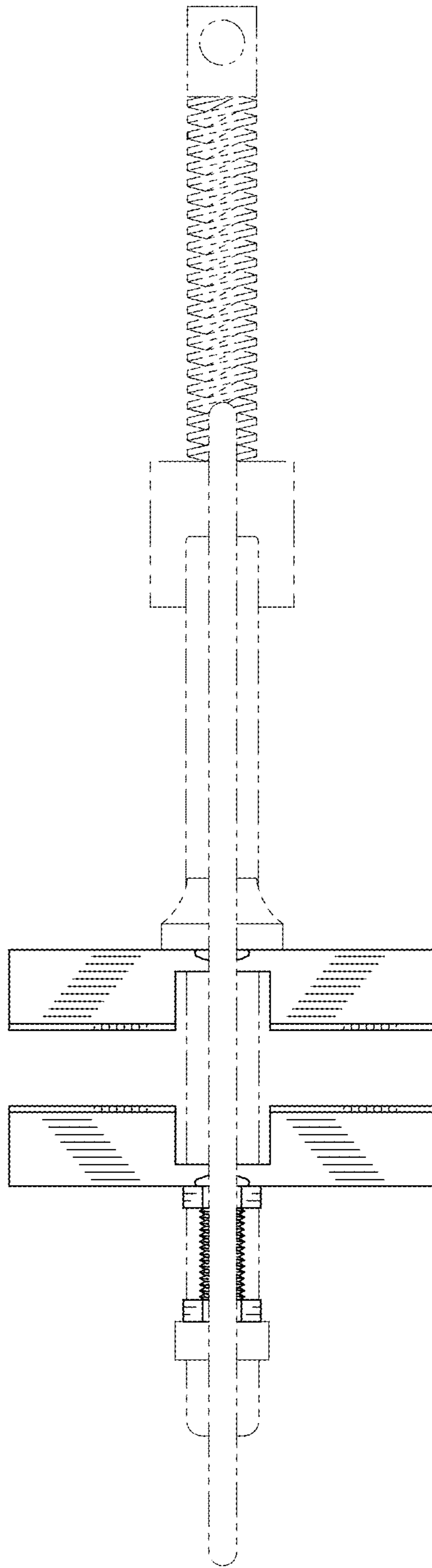


Fig. 4

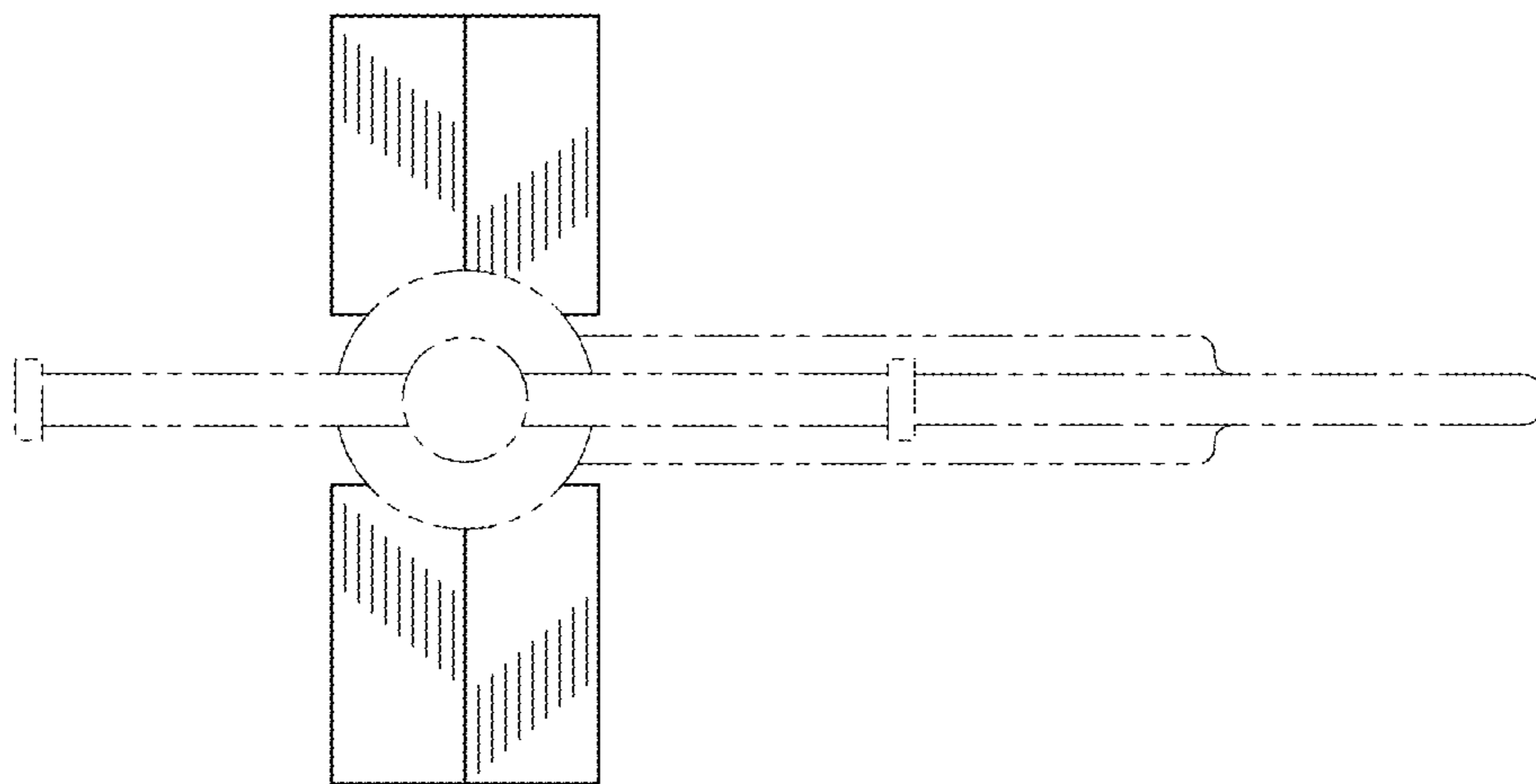


Fig.5

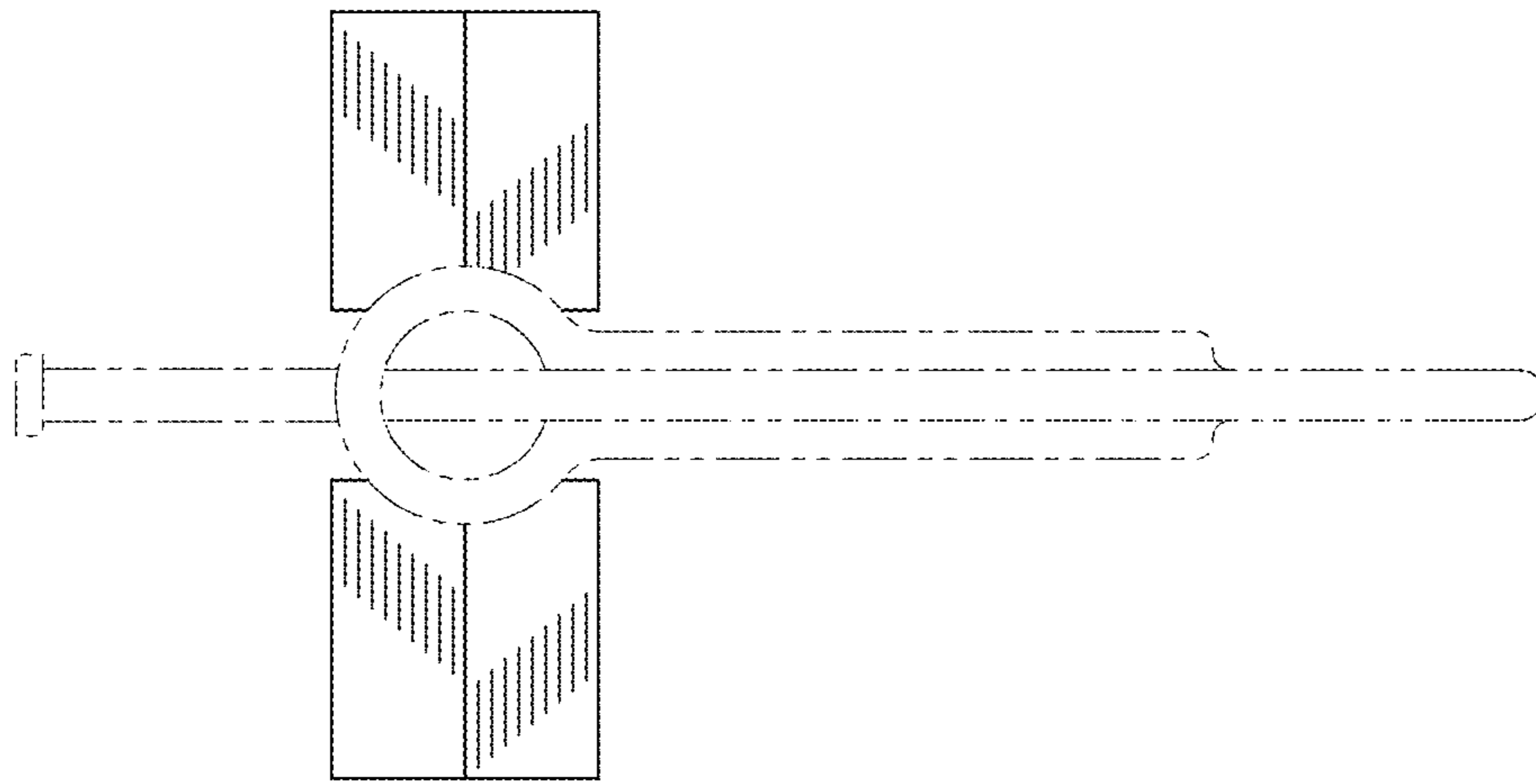


Fig.6