



US00D873109S

(12) **United States Design Patent**
Goto

(10) **Patent No.:** **US D873,109 S**
(45) **Date of Patent:** **** Jan. 21, 2020**

(54) **SUPPORTING DEVICE FOR OPERATING ROD**

(71) Applicant: **NAGAKI SEIKI CO., LTD.**, Daito-shi, Osaka (JP)

(72) Inventor: **Masanori Goto**, Aomori (JP)

(73) Assignee: **NAGAKI SEIKI CO., LTD.**, Daito-Shi, Osaka (JP)

(**) Term: **15 Years**

(21) Appl. No.: **29/621,061**

(22) Filed: **Oct. 4, 2017**

(30) **Foreign Application Priority Data**

Apr. 7, 2017 (JP) 2017-007479

(51) **LOC (12) Cl.** **08-05**

(52) **U.S. Cl.**
USPC **D8/72**

(58) **Field of Classification Search**
USPC D8/71-73, 397-399, 59; 248/63, 72, 248/74.1, 689, 124.2; 294/174, 175, 210
CPC H01R 11/15; H01R 4/38; H01R 4/643; H02G 1/02; B25B 1/00; B25B 5/00
See application file for complete search history.

(56) **References Cited**

U.S. PATENT DOCUMENTS

- 3,268,853 A * 8/1966 Noker H01R 11/15
403/399
- 3,544,956 A * 12/1970 Bricker, Jr. H01R 11/15
174/71 R
- D249,889 S * 10/1978 DeAmicis D23/259
- D253,089 S * 10/1979 Reiner D15/140
- 4,911,572 A * 3/1990 Williams H01R 4/38
403/209
- D319,566 S * 9/1991 Hillock, Jr. D8/71

- D334,590 S * 4/1993 Villano D19/59
- D340,631 S * 10/1993 Hatcher D8/72
- D358,971 S * 6/1995 Glynn D8/73
- D378,343 S * 3/1997 Macor D8/73
- D390,241 S * 2/1998 Mori D15/140
- D393,998 S * 5/1998 Anderson D8/394
- D435,771 S * 1/2001 Miller D8/72
- D443,493 S * 6/2001 Skeem D8/72
- D551,528 S * 9/2007 Vautour D8/72
- D583,640 S * 12/2008 Gilham D8/73
- D668,522 S * 10/2012 Henderson D8/73
- 8,882,056 B2 * 11/2014 Greenfield F16L 3/24
248/228.6
- D719,000 S * 12/2014 Palmer B62B 1/12
D8/73
- D764,249 S * 8/2016 Deveci D8/72
- 10,122,101 B2 * 11/2018 Rahman H01R 11/15

* cited by examiner

Primary Examiner — David G Muller

(74) *Attorney, Agent, or Firm* — Rabin & Berdo, P.C.

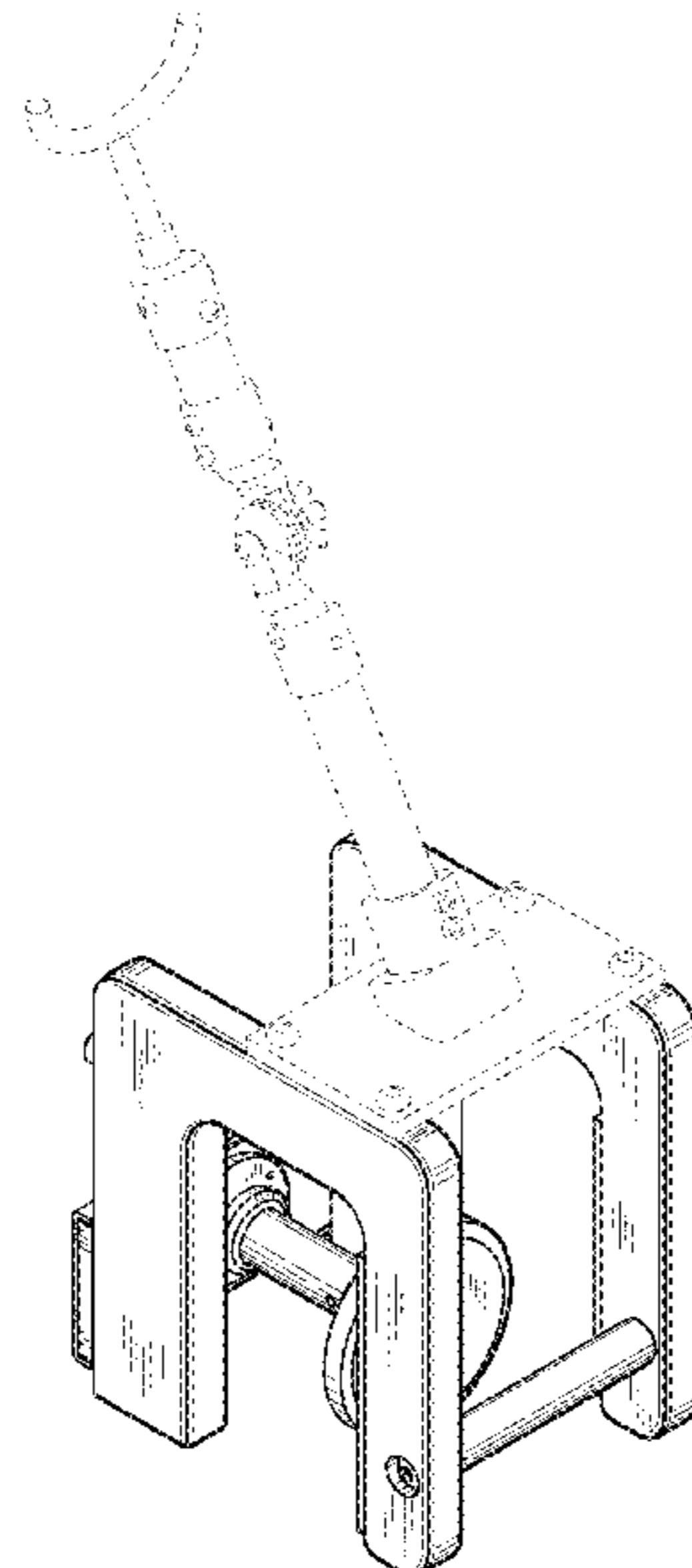
(57) **CLAIM**

The ornamental design for a supporting device for operating rod, as shown and described.

DESCRIPTION

FIG. 1 is a front view of the supporting device for operating rod;
FIG. 2 is a rear view thereof;
FIG. 3 is a top view thereof;
FIG. 4 is a bottom view thereof;
FIG. 5 is a right side view thereof;
FIG. 6 is a left side view thereof;
FIG. 7 is a perspective view thereof; and,
FIG. 8 is another perspective view thereof.
The broken lines illustrate unclaimed subject matter and form no part of the claimed invention.

1 Claim, 7 Drawing Sheets



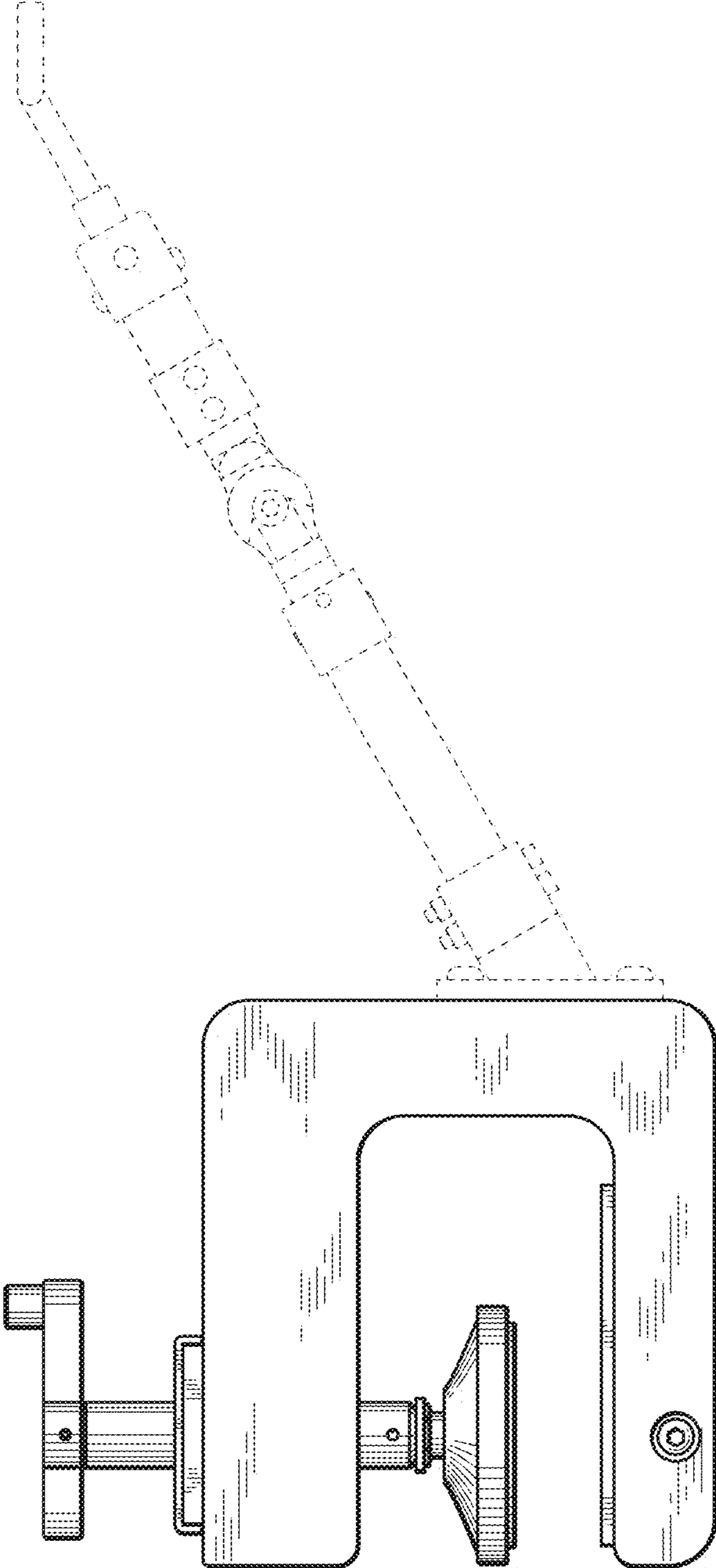


FIG. 1

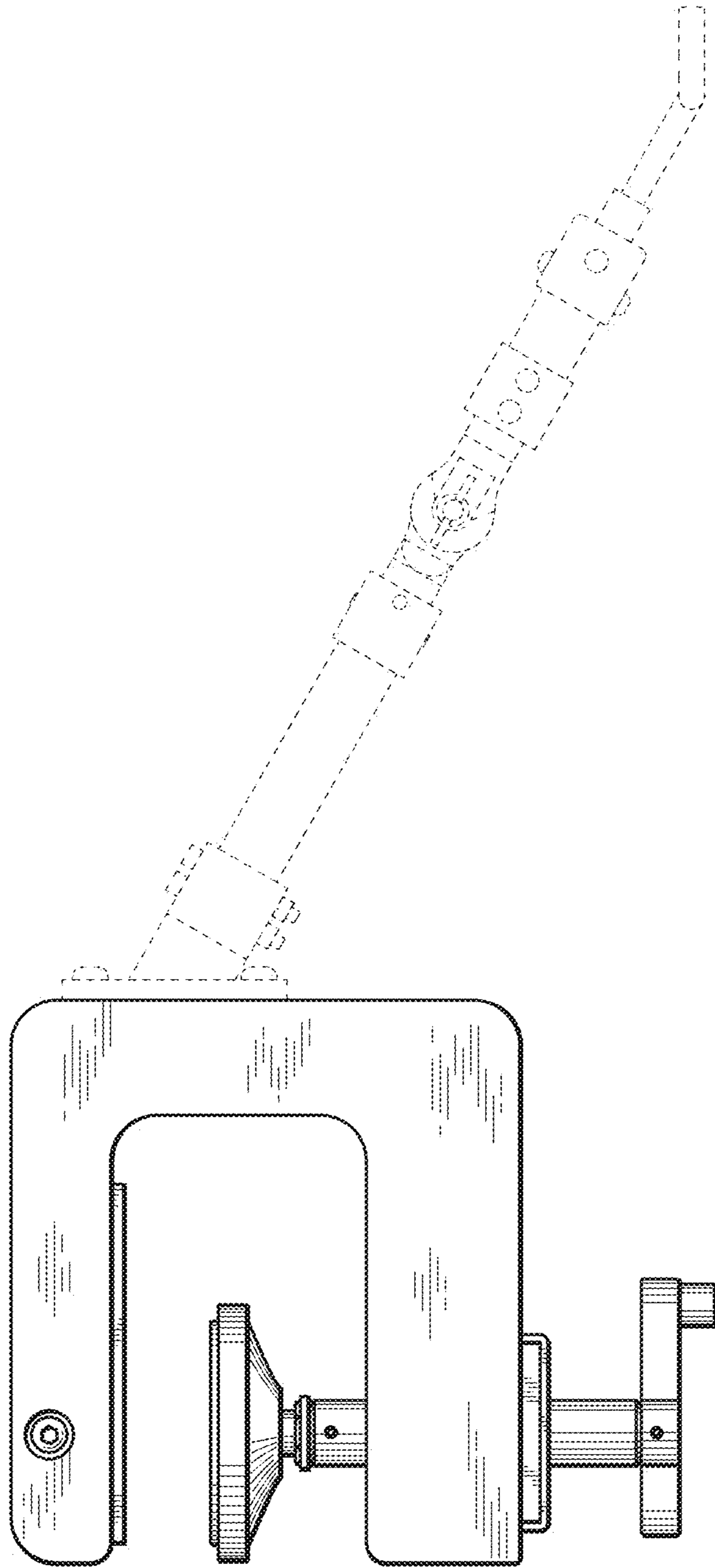


FIG. 2

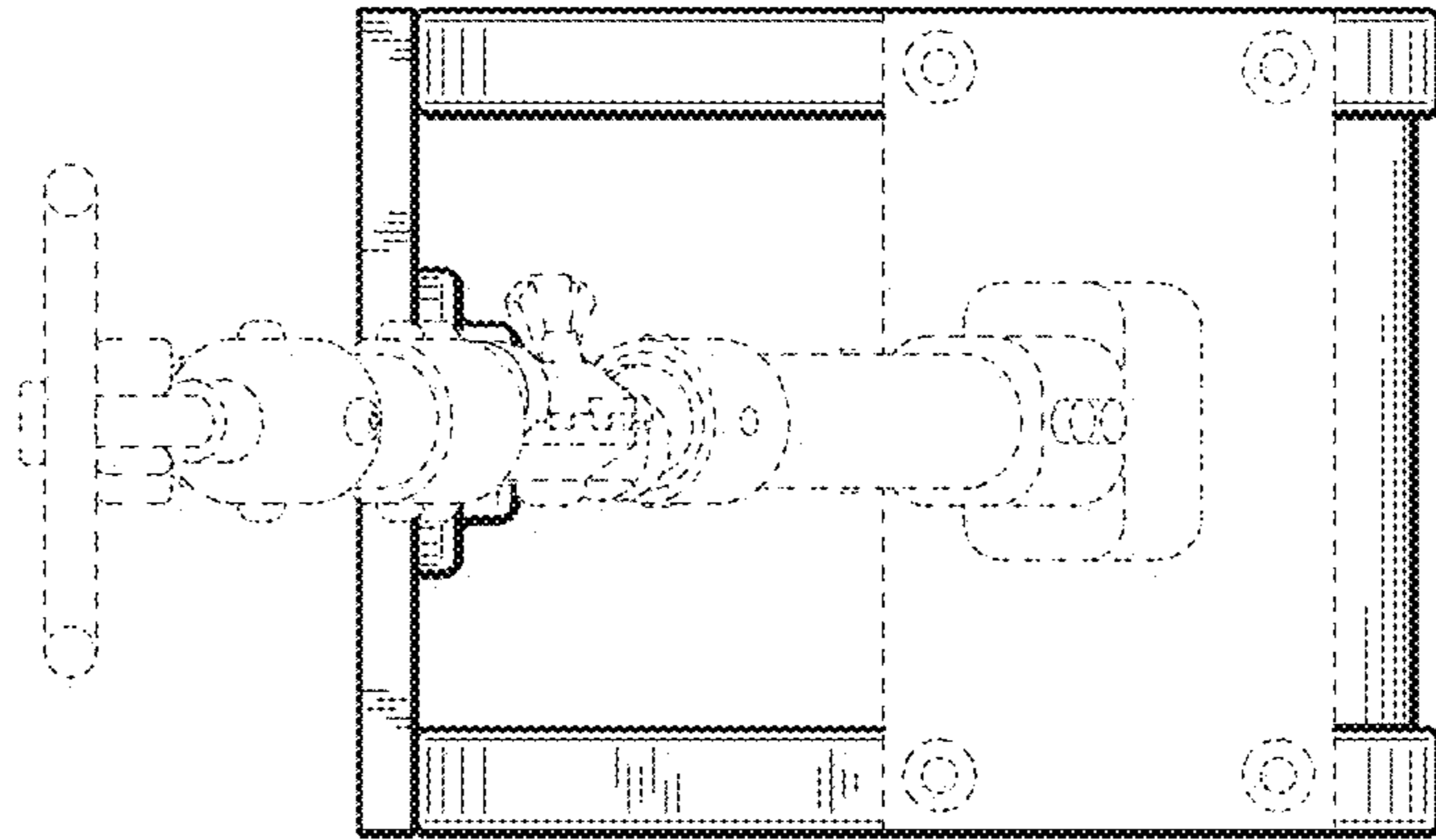


FIG. 3

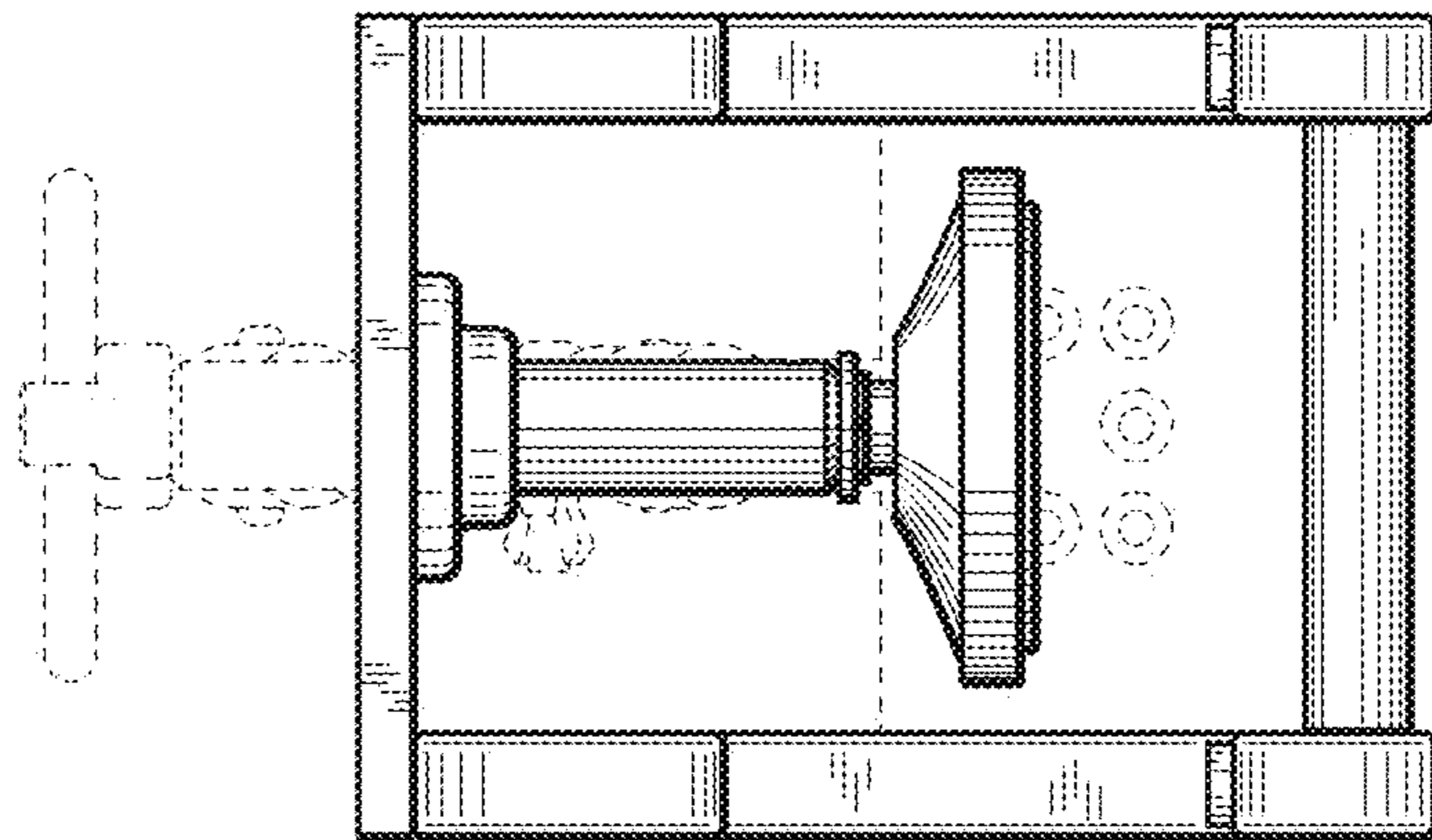


FIG. 4

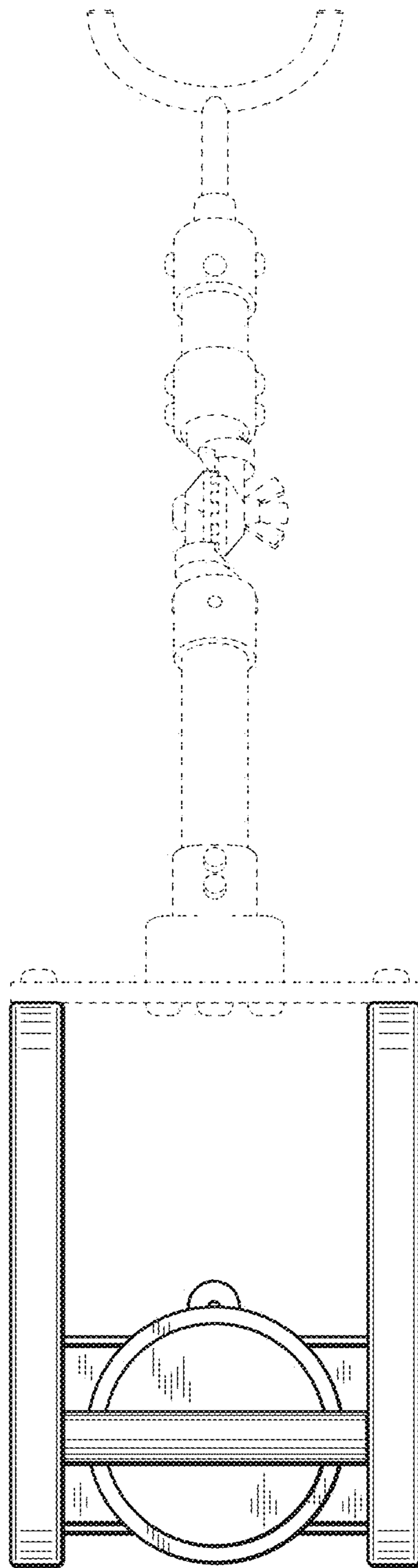


FIG. 5

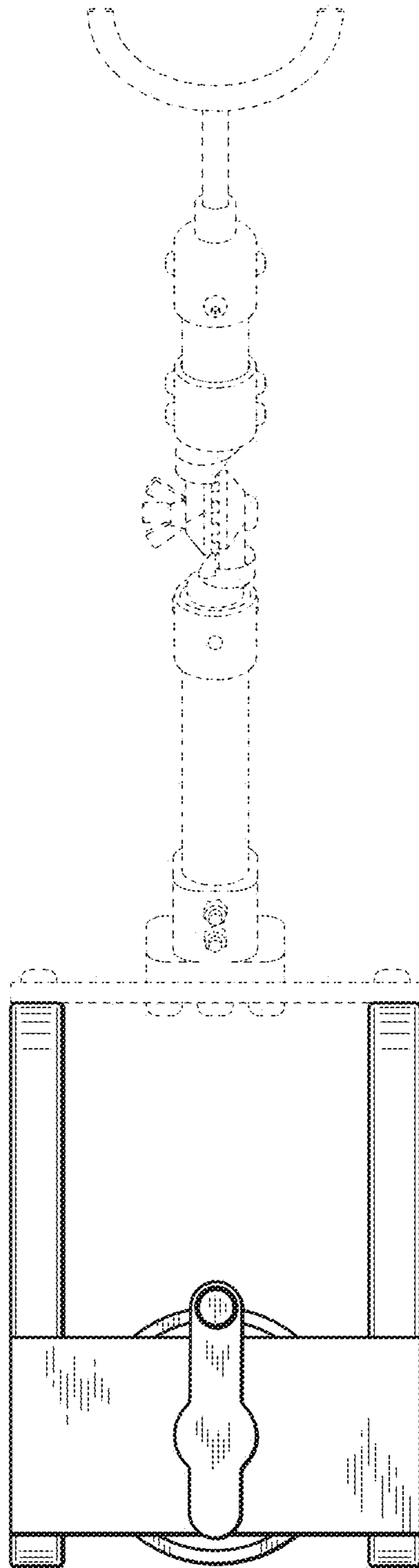


FIG. 6

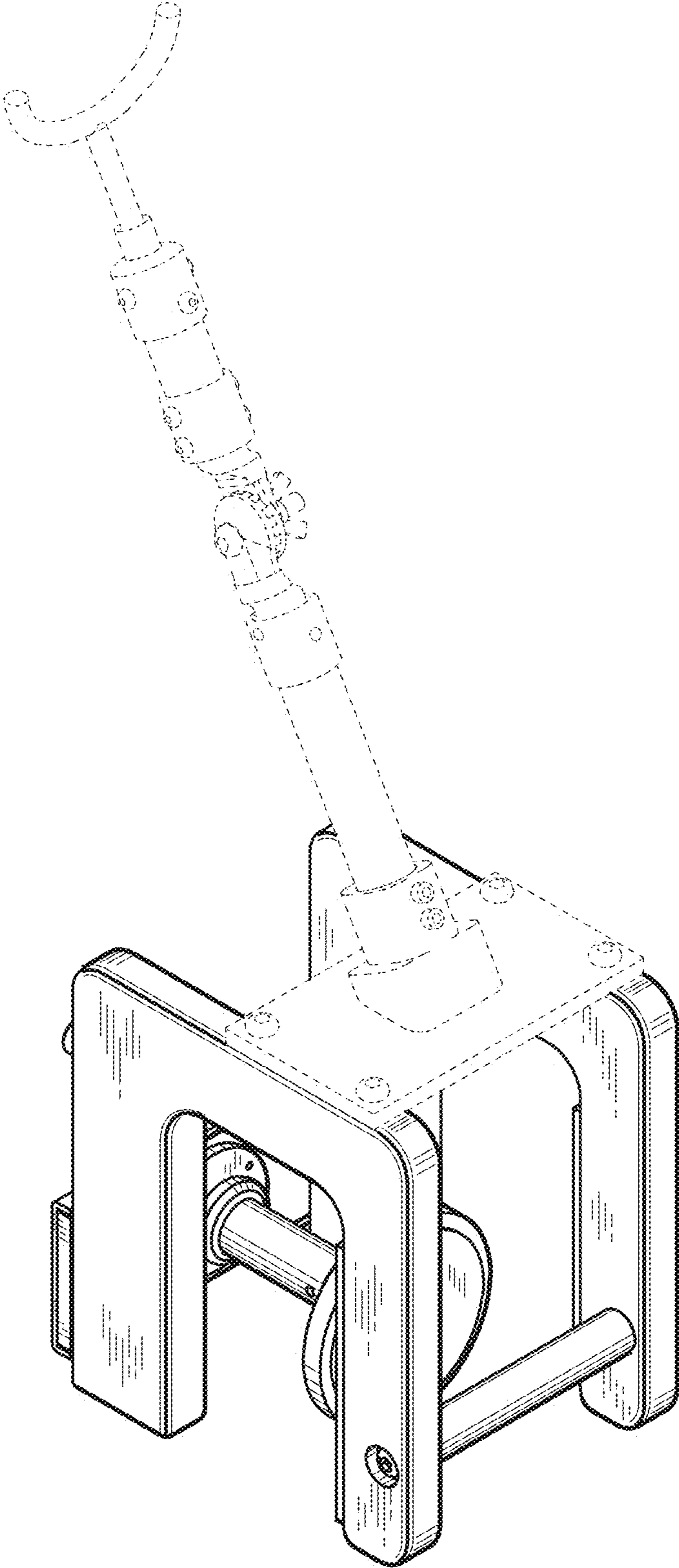


FIG. 7

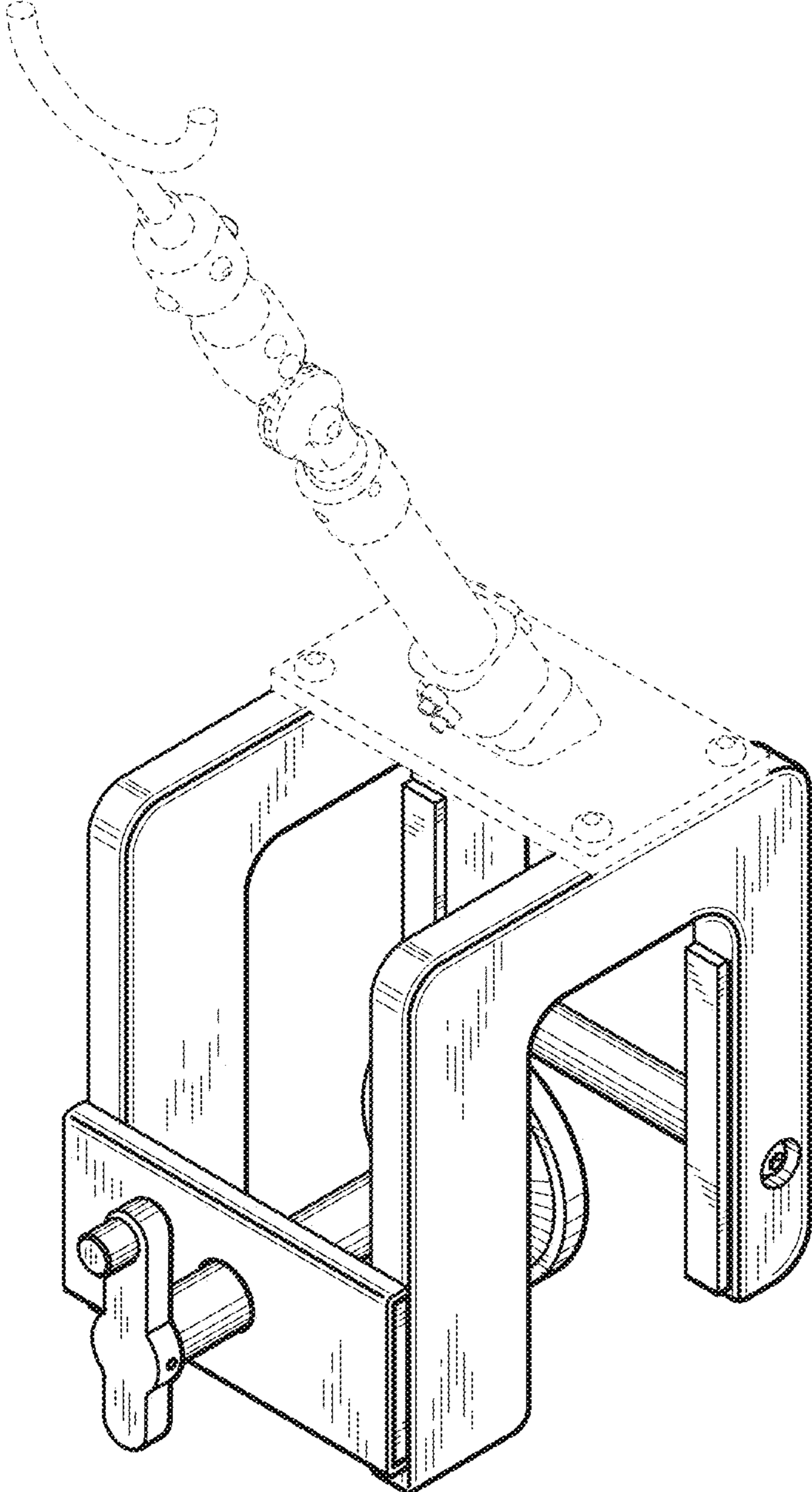


FIG. 8