



US00D873107S

(12) **United States Design Patent** (10) **Patent No.:** **US D873,107 S**  
**Houghton et al.** (45) **Date of Patent:** **\*\* Jan. 21, 2020**

(54) **DRILL**  
(71) Applicant: **BLACK & DECKER INC.**, New Britain, CT (US)  
(72) Inventors: **Stephen Houghton**, Newcastle Upon Tyne (GB); **Gary Spratt**, County Durham (GB)  
(73) Assignee: **Black & Decker Inc.**, New Britain, CT (US)

D556,002 S \* 11/2007 Ino ..... D8/68  
D574,688 S \* 8/2008 Yamamoto ..... D8/68  
D628,454 S \* 12/2010 Misaki ..... D8/68  
D642,037 S \* 7/2011 Miller ..... D8/68  
D646,947 S \* 10/2011 Lopano ..... D8/68  
D670,989 S \* 11/2012 Kawase ..... D8/61  
D675,500 S \* 2/2013 Taniguchi ..... D8/68  
D678,025 S \* 3/2013 Naksen ..... D8/68  
D678,744 S \* 3/2013 Aoki ..... D8/68  
D679,161 S \* 4/2013 Kawase ..... D8/61  
D684,028 S \* 6/2013 Costoli ..... 173/90  
D685,245 S \* 7/2013 Tirone ..... D8/68  
D700,821 S \* 3/2014 Tschopp ..... D8/68

(Continued)

(\*\*) Term: **15 Years**

(21) Appl. No.: **29/647,872**

(22) Filed: **May 16, 2018**

(30) **Foreign Application Priority Data**

Dec. 22, 2017 (EM) ..... 004518132

(51) **LOC (12) Cl.** ..... **08-05**

(52) **U.S. Cl.**  
USPC ..... **D8/68**

(58) **Field of Classification Search**  
USPC ..... D8/61, 67, 68  
CPC .... B62D 23/005; B62D 29/00; B62D 29/043;  
B62D 31/00; B62D 33/046; B62D 35/00;  
B62D 35/001; B60Q 1/0005  
See application file for complete search history.

(56) **References Cited**

**U.S. PATENT DOCUMENTS**

D466,777 S \* 12/2002 Watson ..... D8/68  
D466,779 S \* 12/2002 Shibata ..... D8/68  
D466,781 S \* 12/2002 Matsuoka ..... D8/68  
D508,643 S \* 8/2005 Concari ..... D8/68  
D515,377 S \* 2/2006 Chung ..... D8/68  
D525,848 S \* 8/2006 Kokawa ..... D8/68  
D527,971 S \* 9/2006 Kokawa ..... D8/68  
D536,944 S \* 2/2007 Tsai ..... D8/68

**OTHER PUBLICATIONS**

Pictures of Black + Decker BCD701 drill/driver from <https://www.amazon.com/BLACK-DECKER-BDCK502C1-GoPak-4-Tool/dp/B074L5PKY7> ; and <https://www.blackanddecker.com/products/power-tools/portable-power-tools/power-tool-combo-kits/gopak-4tool-combo-kit/bdck502c1> ; and manual.

*Primary Examiner* — Darlington Ly

(74) *Attorney, Agent, or Firm* — Stephen R. Valancius

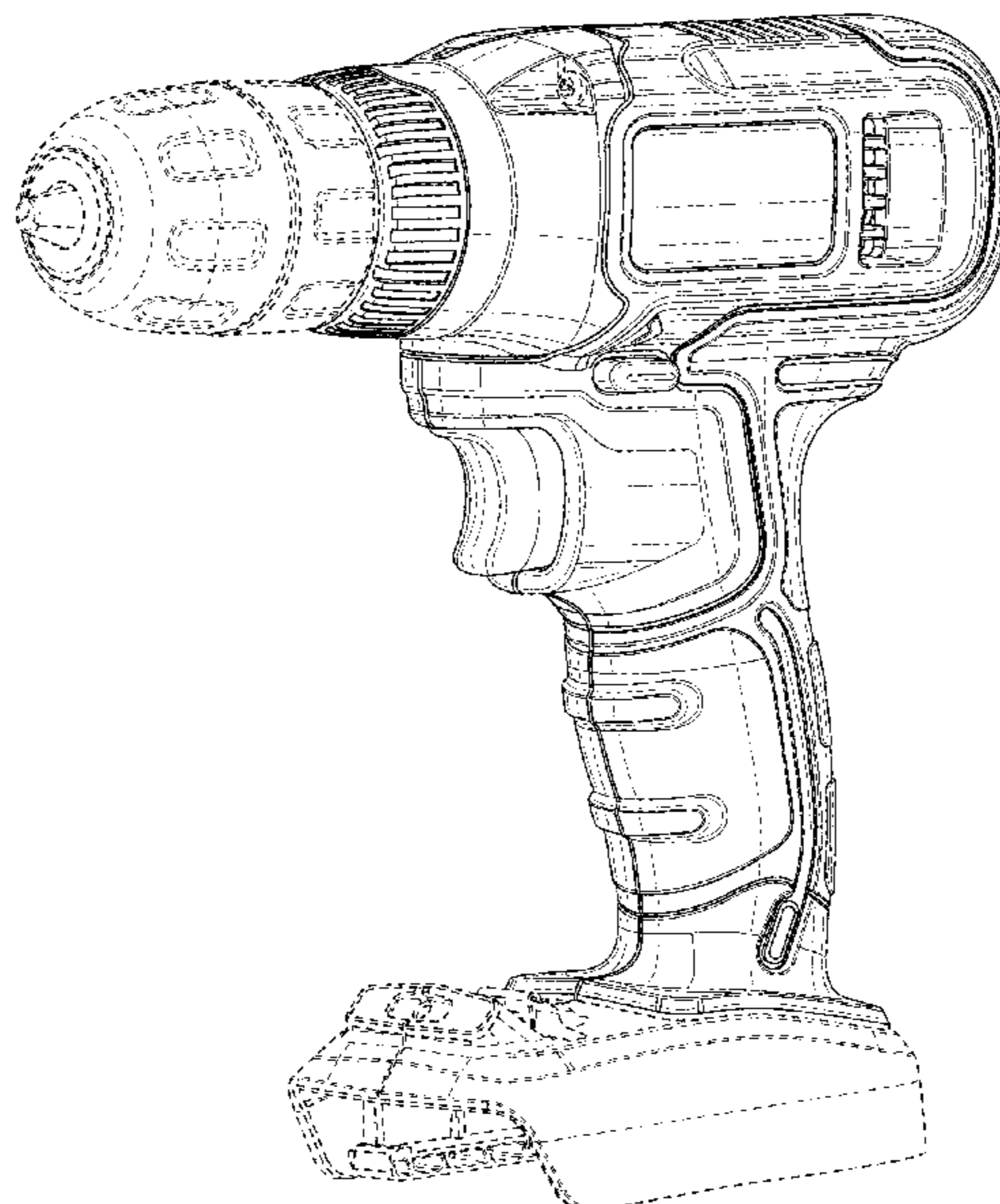
(57) **CLAIM**

The ornamental design for a drill, as shown and described.

**DESCRIPTION**

FIG. 1 is a top, front, and left side perspective view of a drill showing our new design;  
FIG. 2 is a front elevation view thereof;  
FIG. 3 is a rear elevation view thereof;  
FIG. 4 is a right side elevation view thereof;  
FIG. 5 is a left side elevation view thereof;  
FIG. 6 is a top plan view thereof; and,  
FIG. 7 is a bottom plan view thereof.  
The broken lines in the drawings illustrate portions of the drill, that form no part of the claimed design.

**1 Claim, 7 Drawing Sheets**



(56)

**References Cited**

U.S. PATENT DOCUMENTS

D708,496 S \* 7/2014 Zhou ..... D8/68  
2015/0041164 A1 \* 2/2015 Sergyeyenko ..... B25B 21/008  
173/1

\* cited by examiner

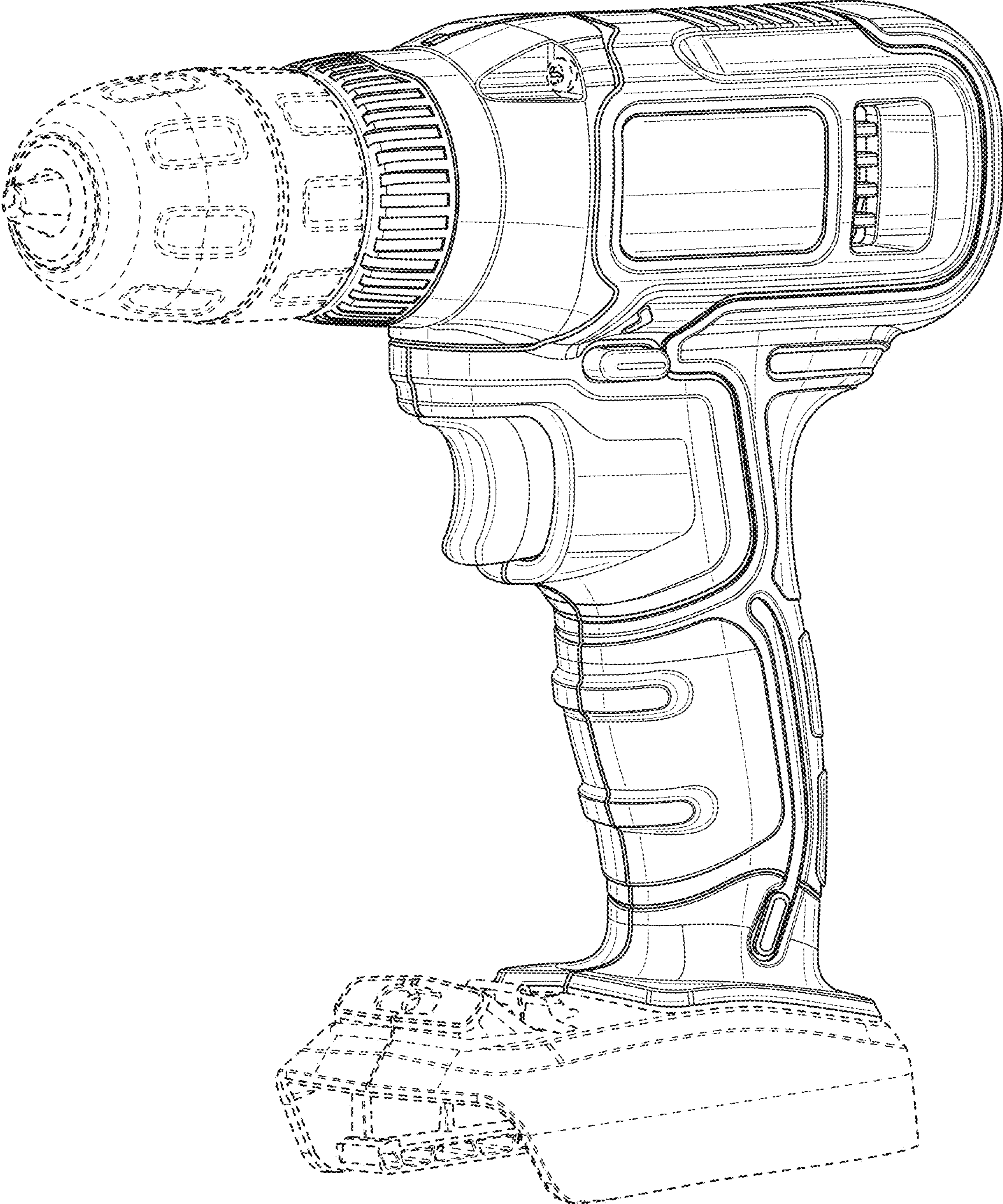


FIG. 1

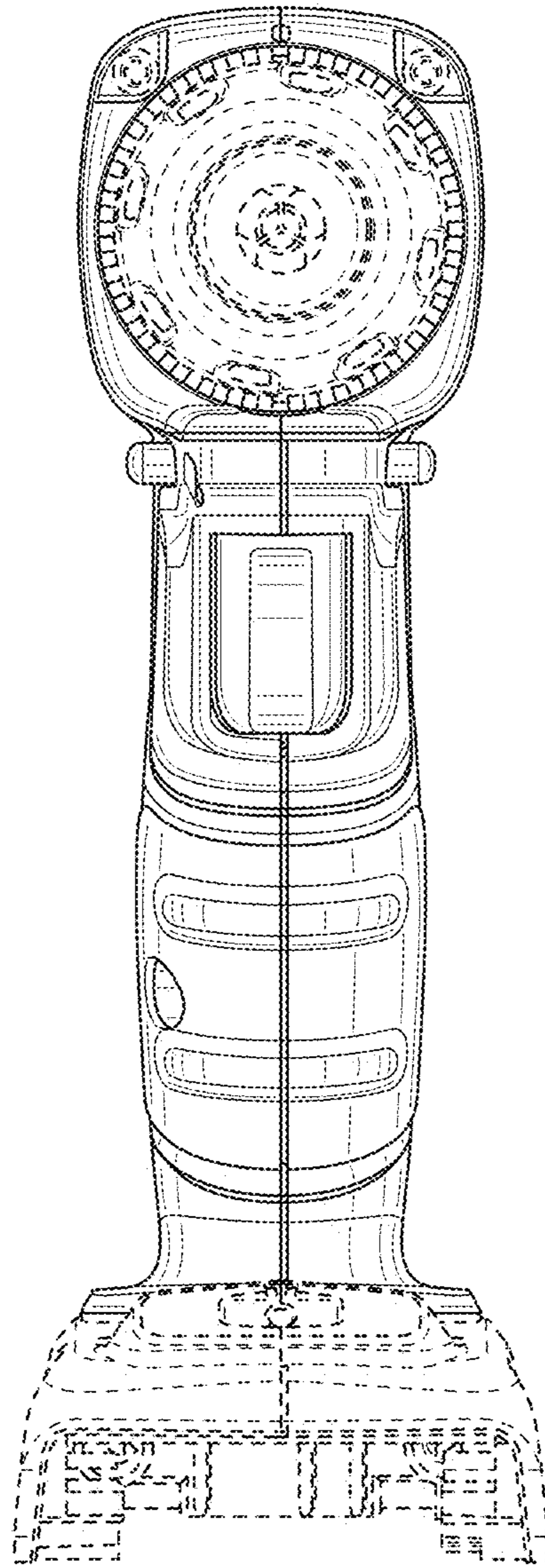


FIG. 2

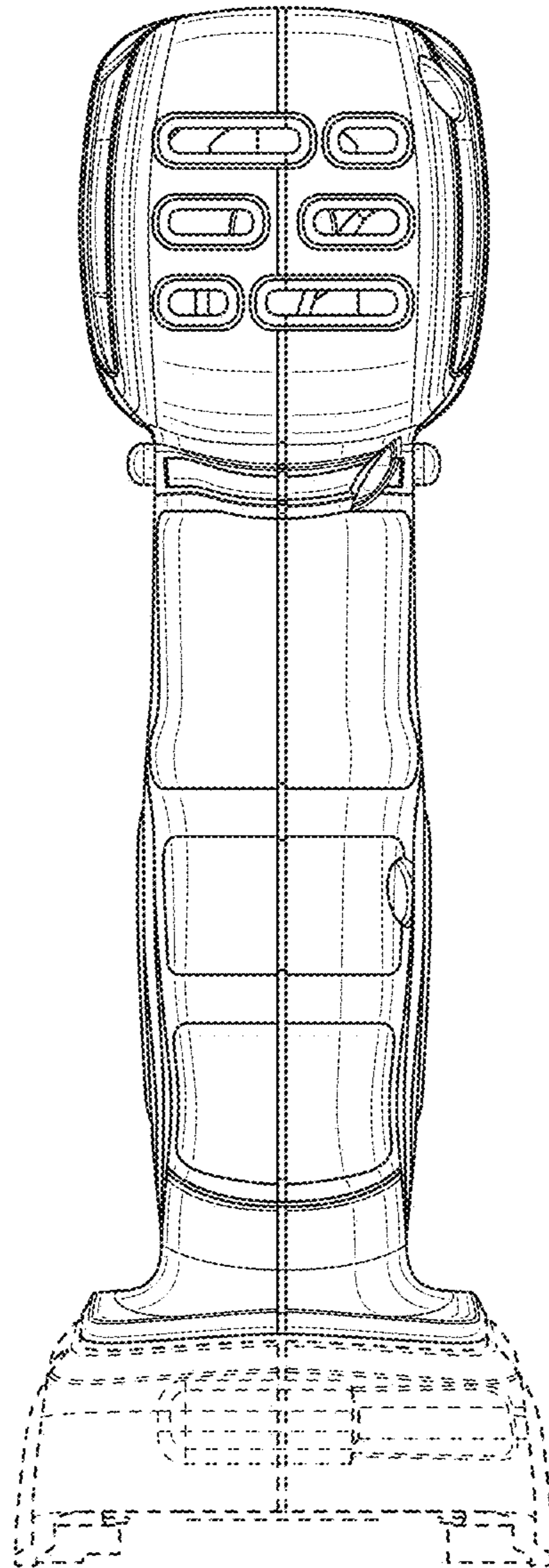


FIG. 3

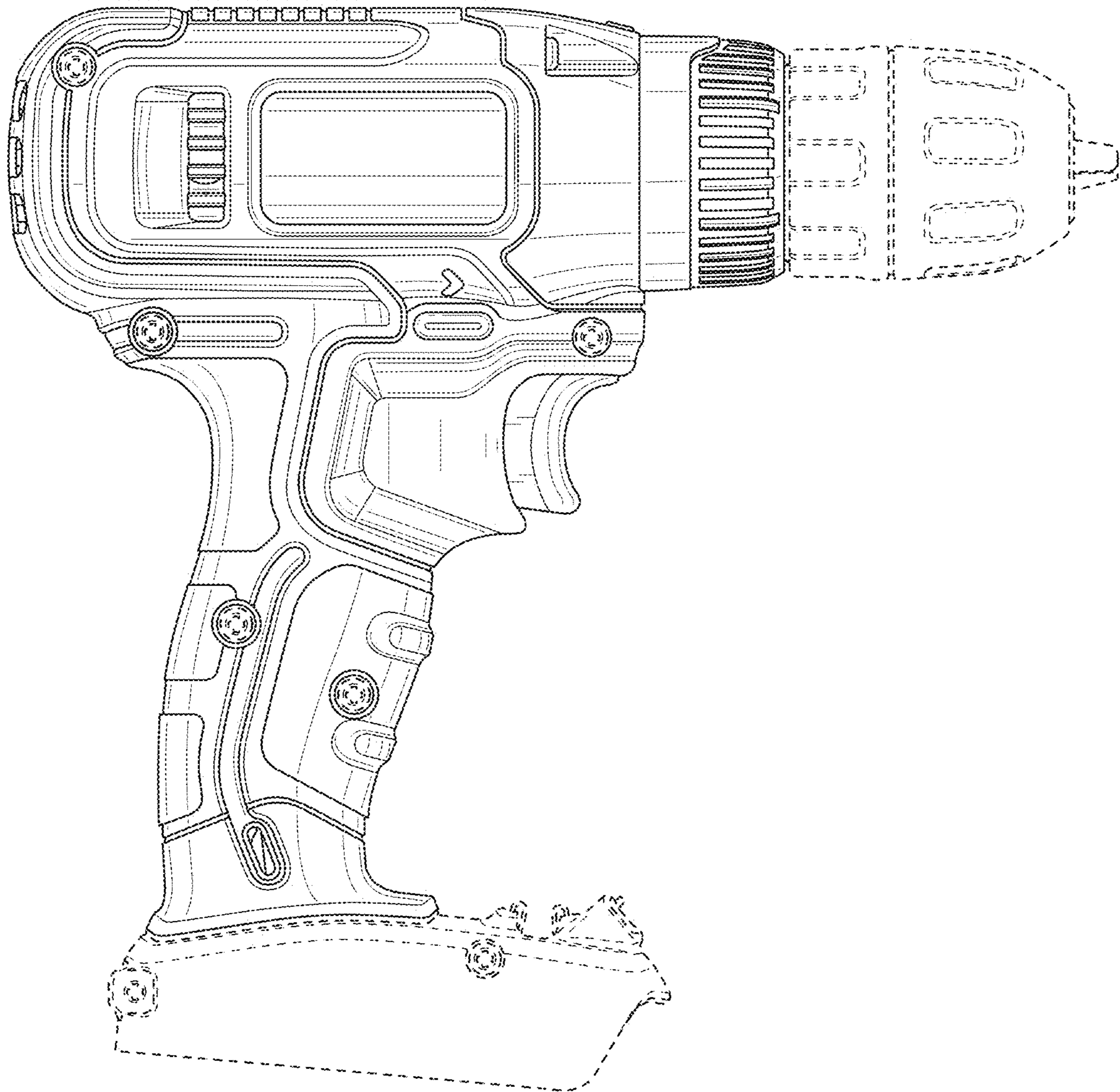


FIG. 4

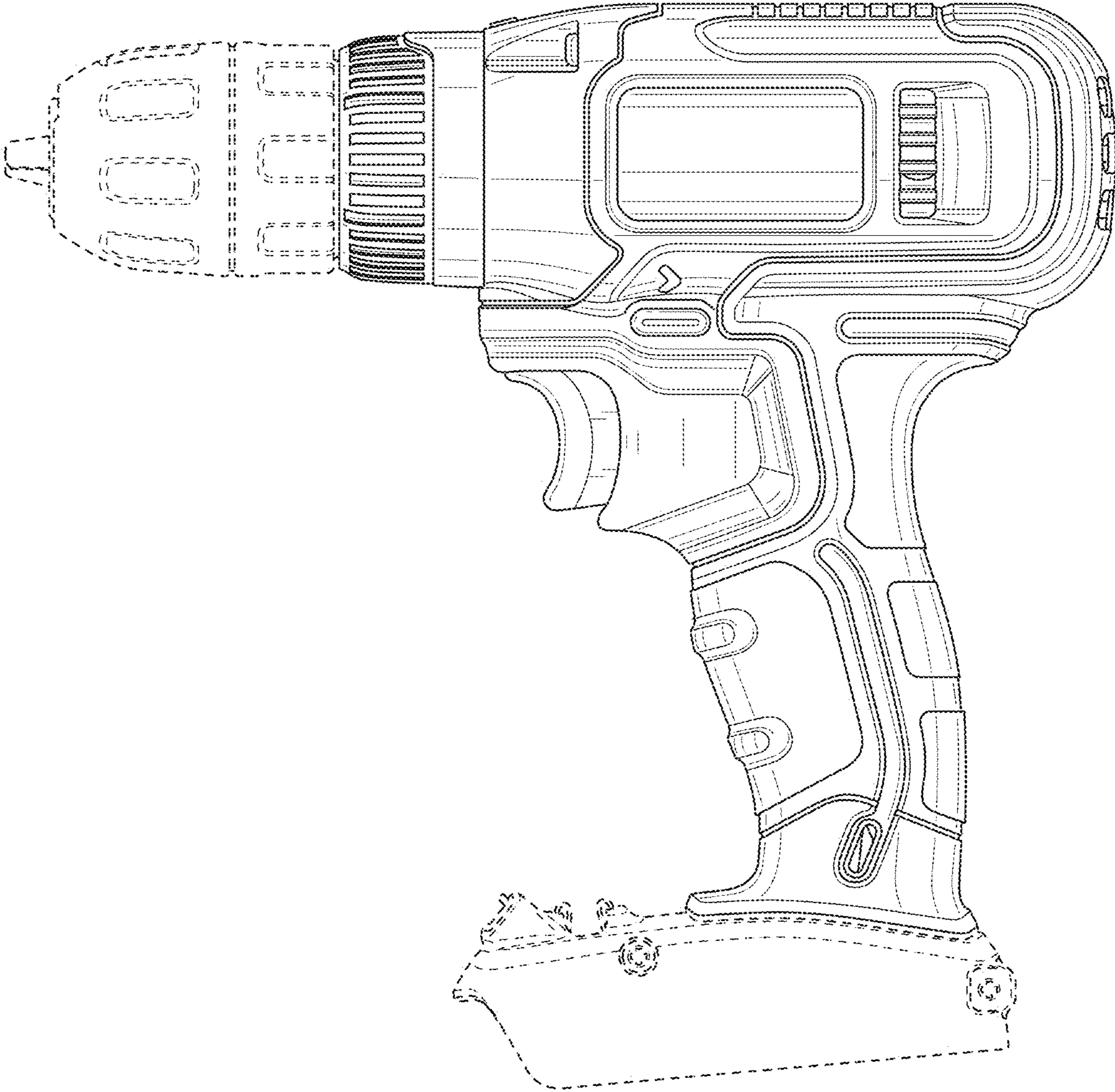


FIG. 5

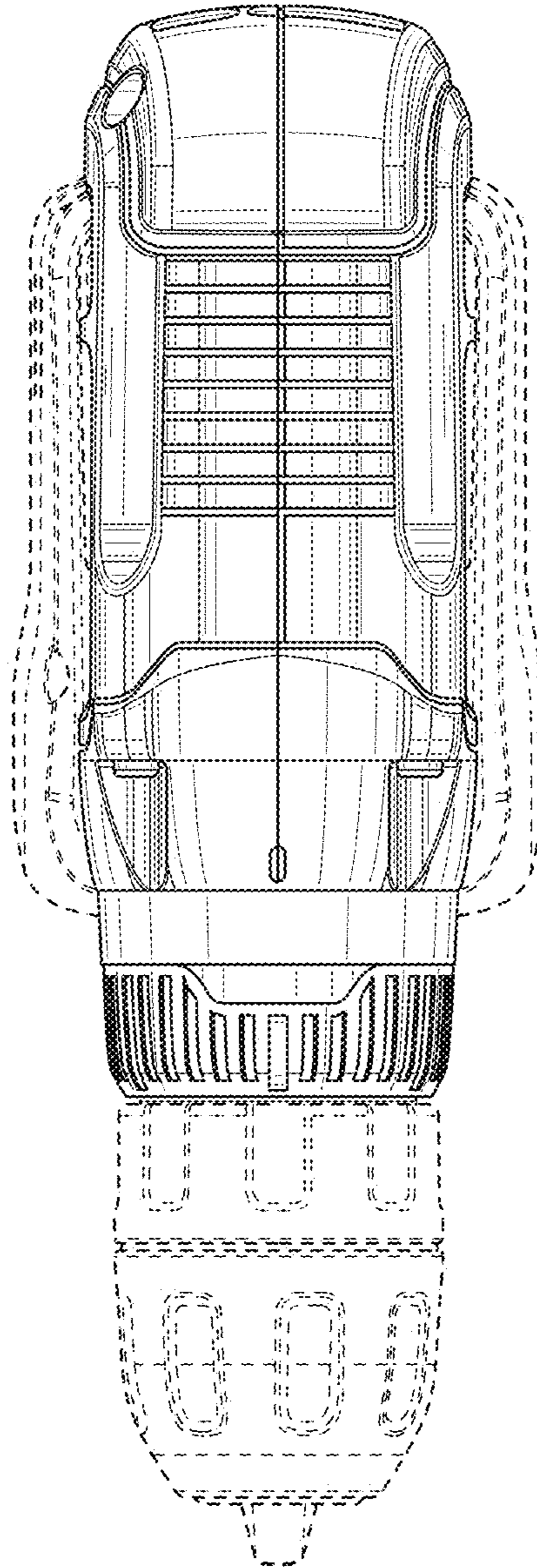


FIG. 6



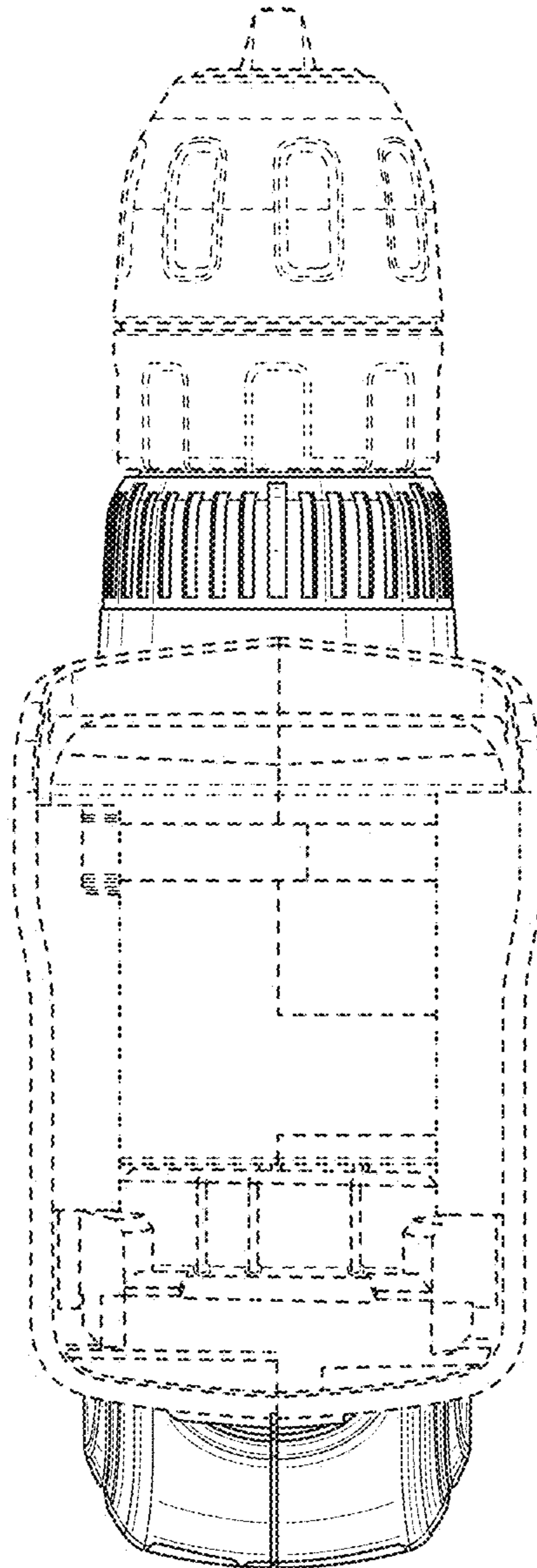


FIG. 7