



US00D873106S

(12) **United States Design Patent** (10) **Patent No.:** **US D873,106 S**
Hochstrasser (45) **Date of Patent:** **** Jan. 21, 2020**

(54) **STAPLE DRIVING TOOL**

FOREIGN PATENT DOCUMENTS

(71) Applicant: **Signode Industrial Group LLC**,
Glenview, IL (US)

EP 2161103 3/2010
EP 2161104 3/2010

(Continued)

(72) Inventor: **Samuel Hochstrasser**, Fällanden (CH)

Primary Examiner — Austin Murphy

(73) Assignee: **Signode Industrial Group LLC**,
Glenview, IL (US)

(74) *Attorney, Agent, or Firm* — K&L Gates LLP

(**) Term: **15 Years**

(57) **CLAIM**

(21) Appl. No.: **29/623,739**

The ornamental design for a staple driving tool, as shown and described herein.

(22) Filed: **Oct. 26, 2017**

(30) **Foreign Application Priority Data**

DESCRIPTION

May 3, 2017 (DE) 40 2017 000 628

(51) **LOC (12) Cl.** **08-05**

(52) **U.S. Cl.**
USPC **D8/68**

(58) **Field of Classification Search**

USPC D8/61, 62, 63, 64, 65, 66, 67, 68, 69, 70
CPC .. B25C 1/001; B25C 1/04; B25C 1/06; B25C
1/041; B25C 1/047

See application file for complete search history.

(56) **References Cited**

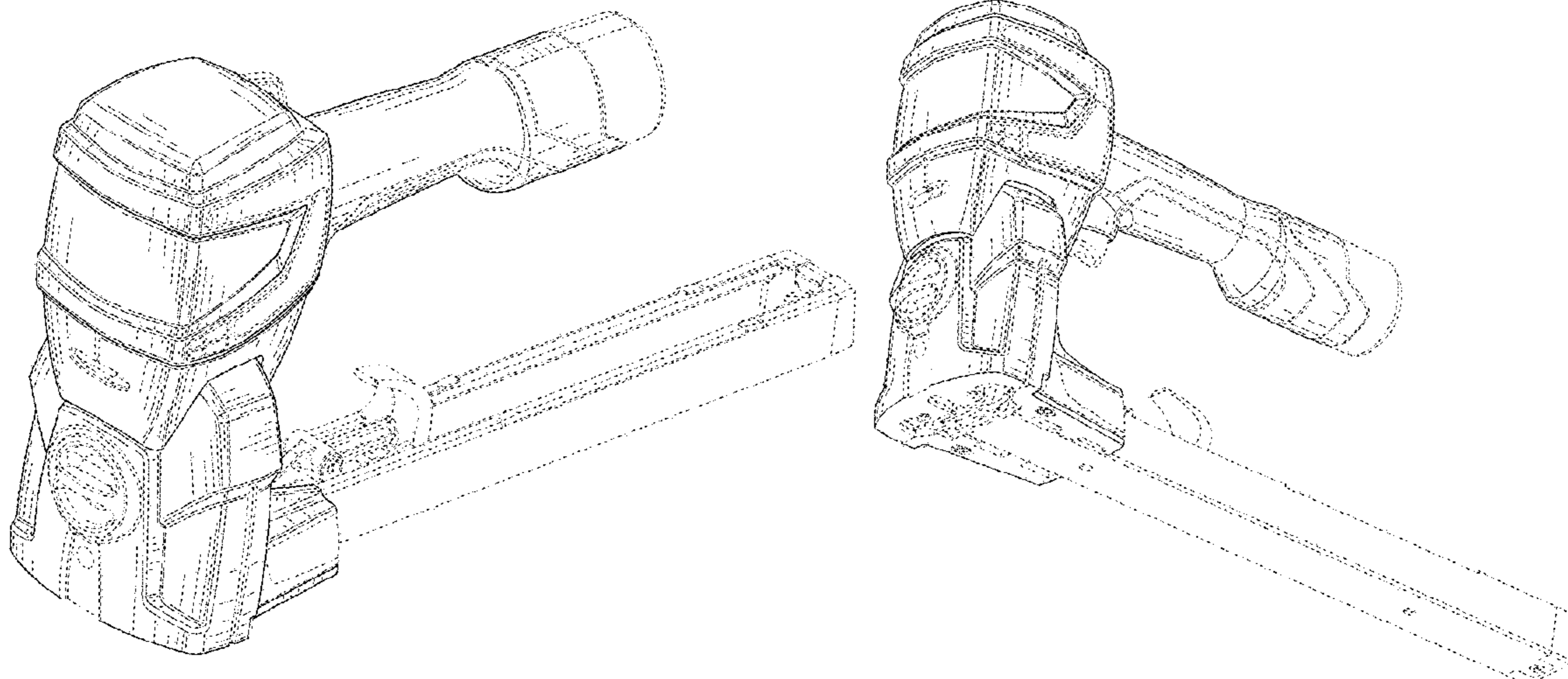
U.S. PATENT DOCUMENTS

D459,184 S * 6/2002 Buck D8/69
D467,151 S * 12/2002 Ho D8/69
D512,622 S * 12/2005 Thomas D8/69
D514,412 S * 2/2006 Lawrence D8/68
D521,837 S * 5/2006 Zhang D8/68
D528,889 S * 9/2006 Hattori D8/69
D549,062 S * 8/2007 Buck D8/69
D549,538 S * 8/2007 Lee D8/69
D552,954 S * 10/2007 Buck D8/69
D677,543 S * 3/2013 Jerabek D8/68
D677,544 S * 3/2013 Jerabek D8/68
D678,026 S * 3/2013 Buck D8/68
D680,400 S * 4/2013 Jerabek D8/68

(Continued)

FIG. 1 is a top front perspective view of a staple driving tool of one embodiment of my new design.
FIG. 2 is a bottom front perspective view of the staple driving tool of my new design illustrated in FIG. 1.
FIG. 3 is a top rear perspective view of the staple driving tool of my new design illustrated in FIG. 1.
FIG. 4 is a bottom rear perspective view of the staple driving tool of my new design illustrated in FIG. 1.
FIG. 5 is a front view of the staple driving tool of my new design illustrated in FIG. 1.
FIG. 6 is a rear view of the staple driving tool of my new design illustrated in FIG. 1.
FIG. 7 is a left side view of the staple driving tool of my new design illustrated in FIG. 1.
FIG. 8 is a right side view of the staple driving tool of my new design illustrated in FIG. 1.
FIG. 9 is a top view of the staple driving tool of my new design illustrated in FIG. 1; and,
FIG. 10 is a bottom view of the staple driving tool of my new design illustrated in FIG. 1.
The portions shown in phantom is not part of the design sought to be patented and is provided for environmental purposes only.

1 Claim, 10 Drawing Sheets



(56)

References Cited

U.S. PATENT DOCUMENTS

D687,695	S	*	8/2013	Albrecht	D8/68
D717,625	S	*	11/2014	Martone	D8/68
D756,740	S	*	5/2016	Caglar	D8/68
D787,290	S	*	5/2017	Meyer	D8/68
D800,525	S	*	10/2017	DeMarr	D8/68
D817,734	S	*	5/2018	Concari	D8/68
D823,659	S	*	7/2018	Aoki	D8/68
D843,803	S	*	3/2019	Cooper	D8/68
D852,013	S	*	6/2019	Kirkpatrick	D8/68
2014/0001226	A1		1/2014	Scabin et al.		

FOREIGN PATENT DOCUMENTS

EP	2161105	3/2010
EP	2161106	3/2010
EP	2842695	3/2015
SE	523937	6/2004

* cited by examiner

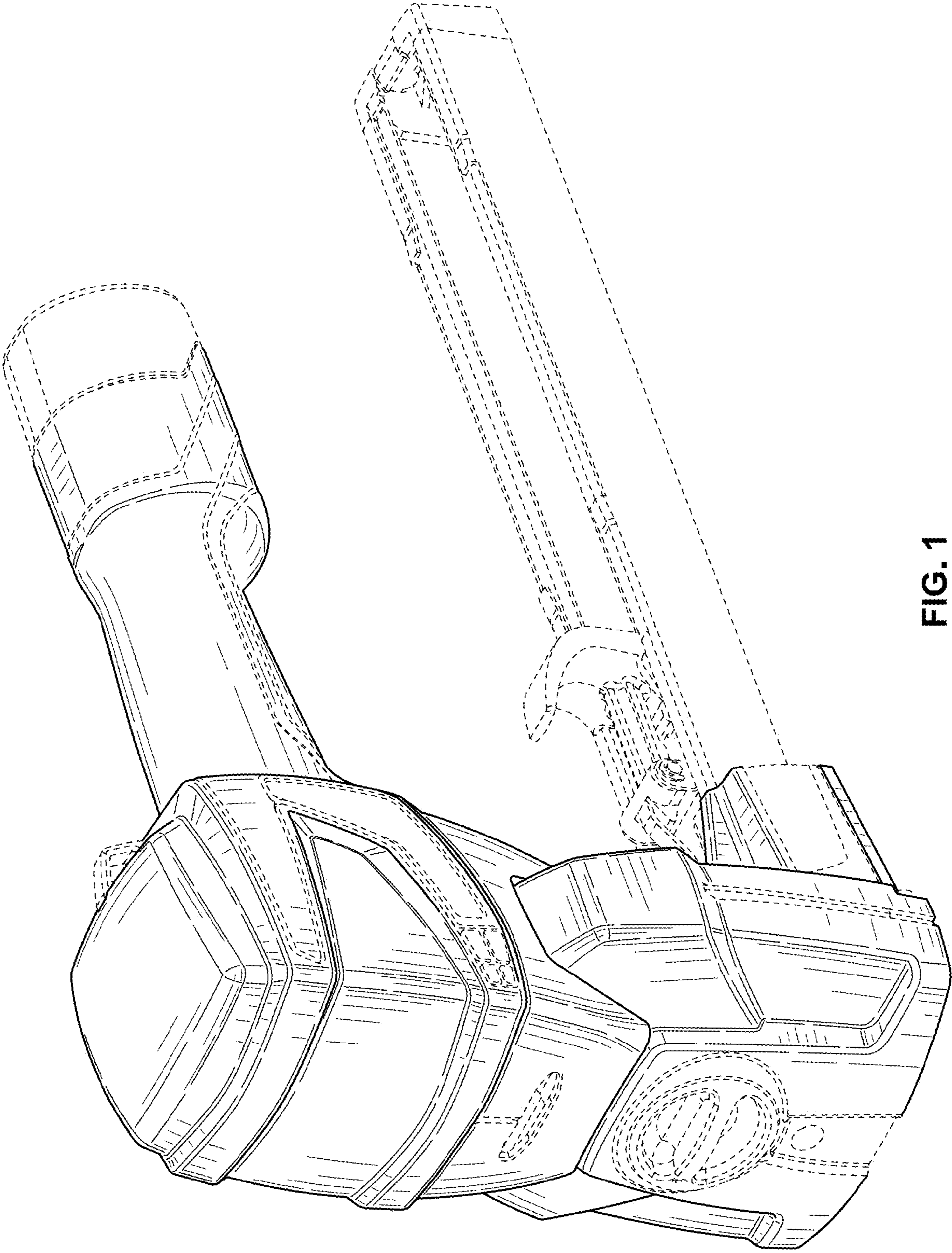


FIG. 1

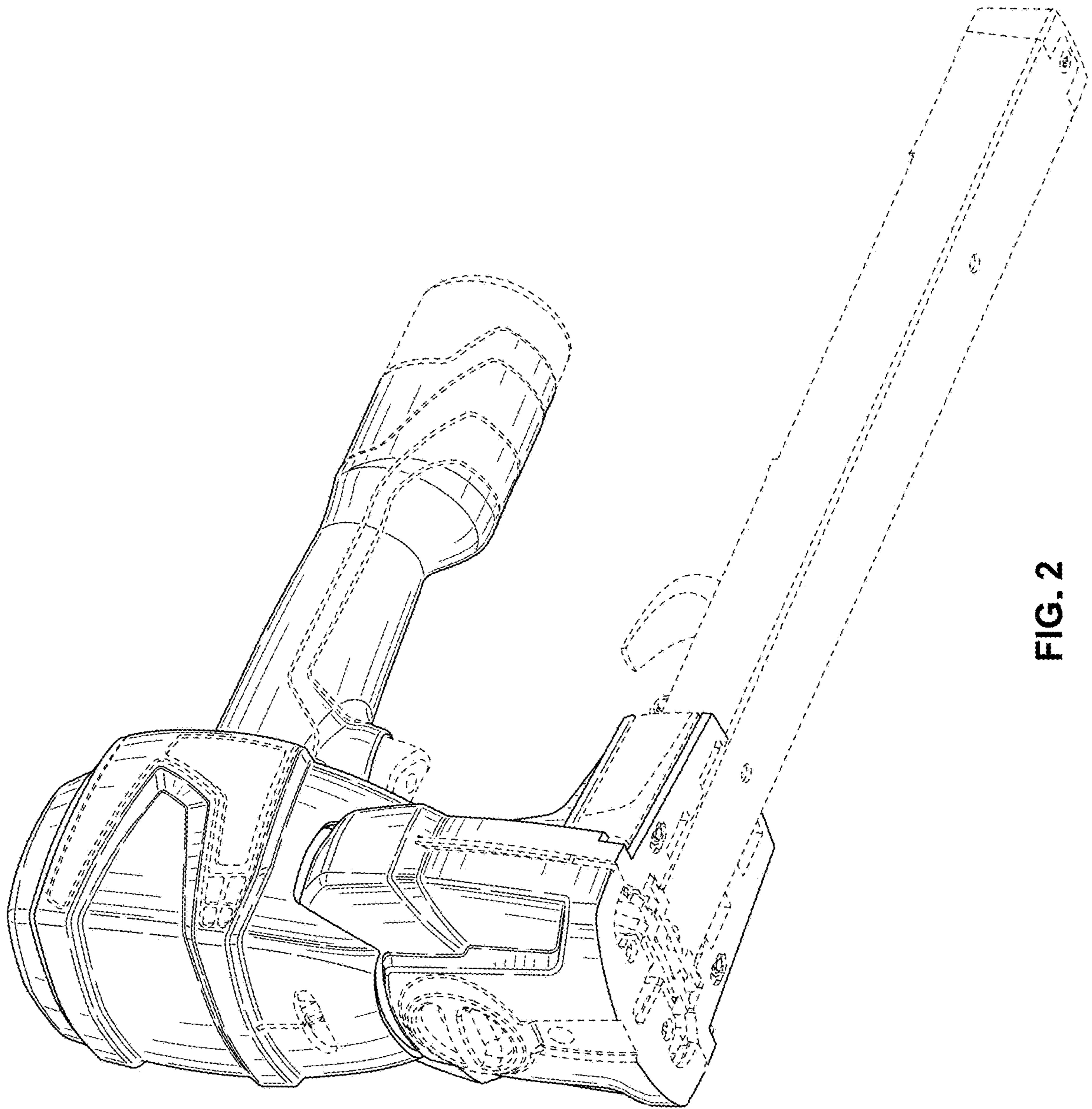


FIG. 2

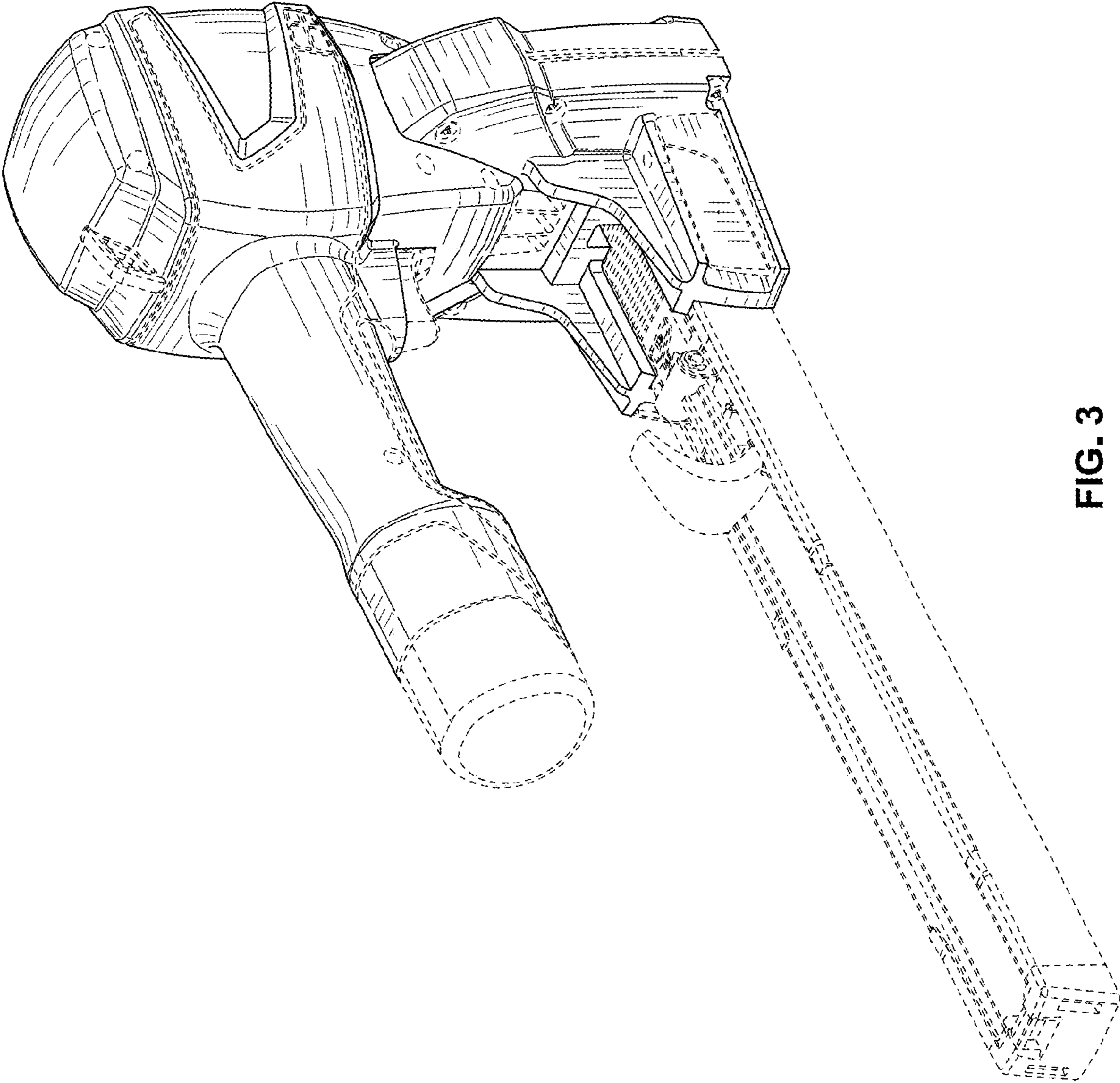


FIG. 3

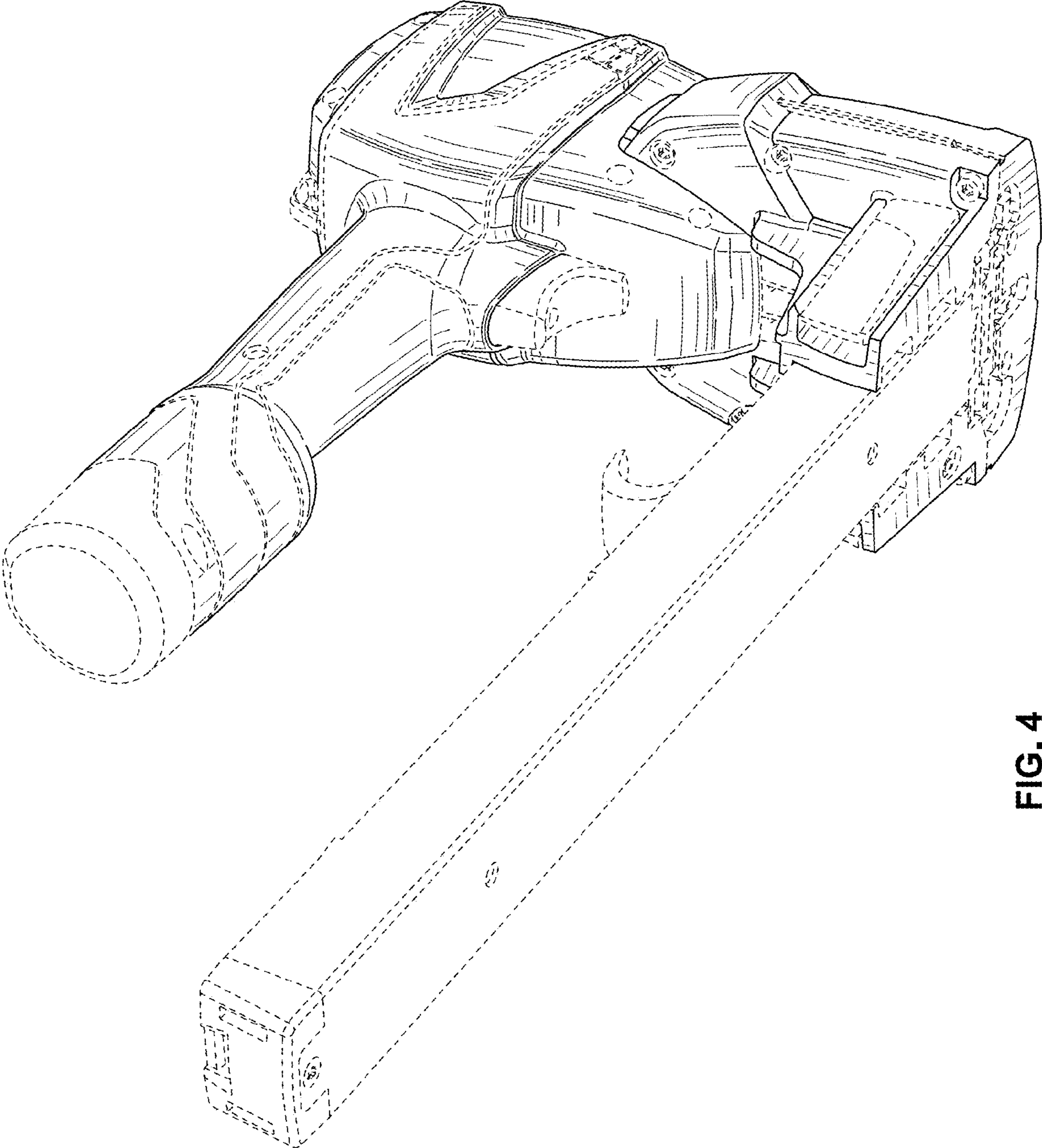


FIG. 4

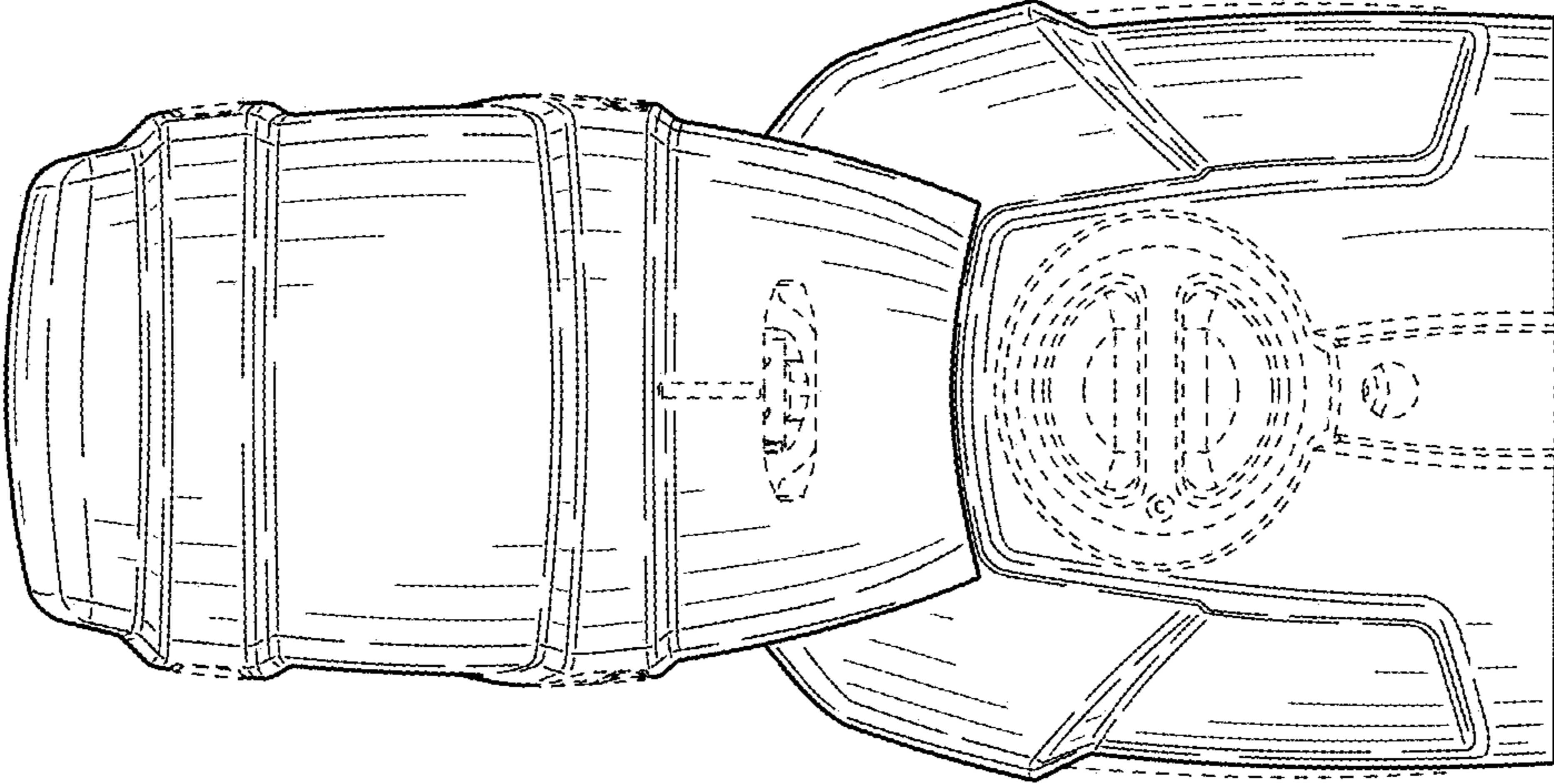


FIG. 5

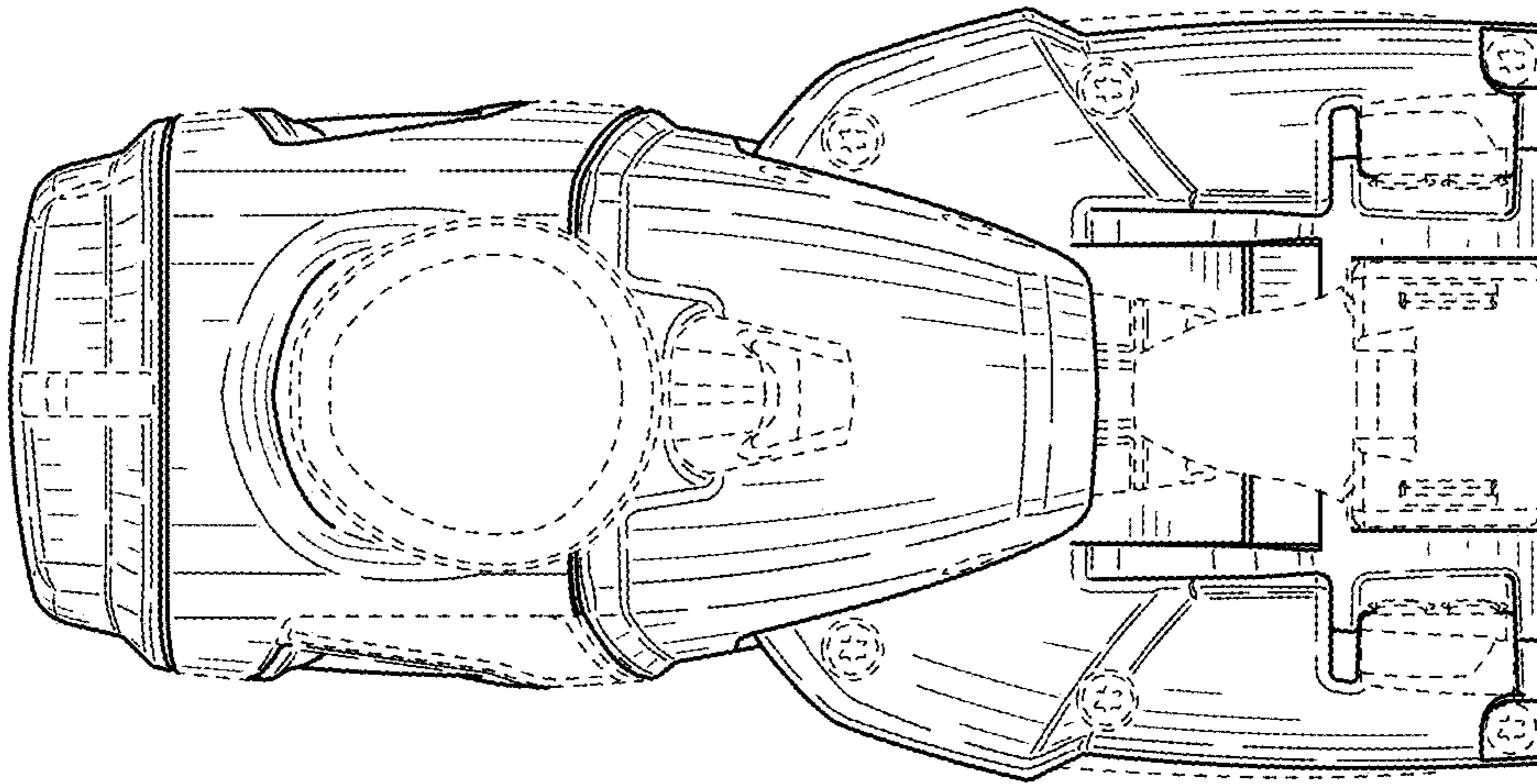


FIG. 6

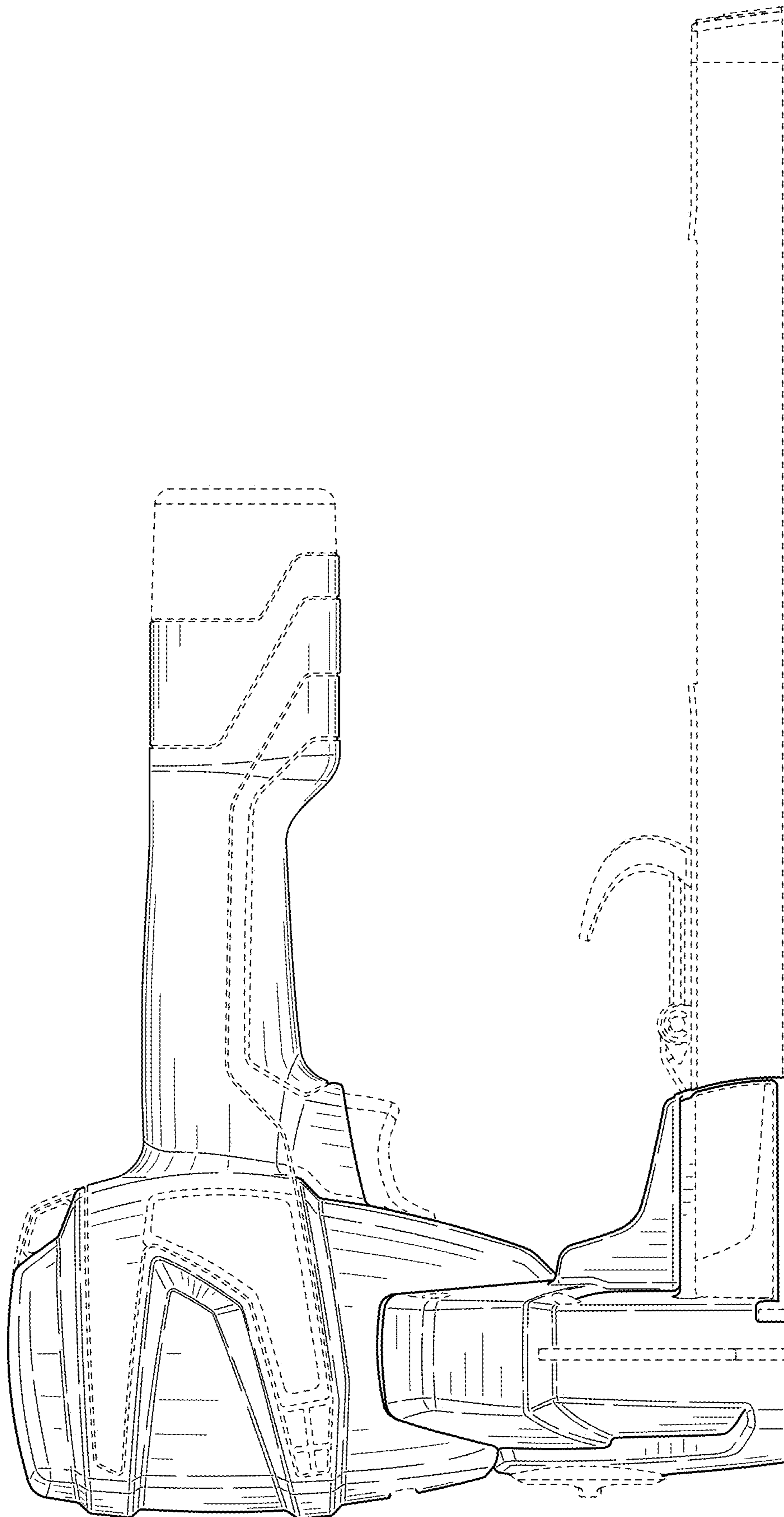


FIG. 7

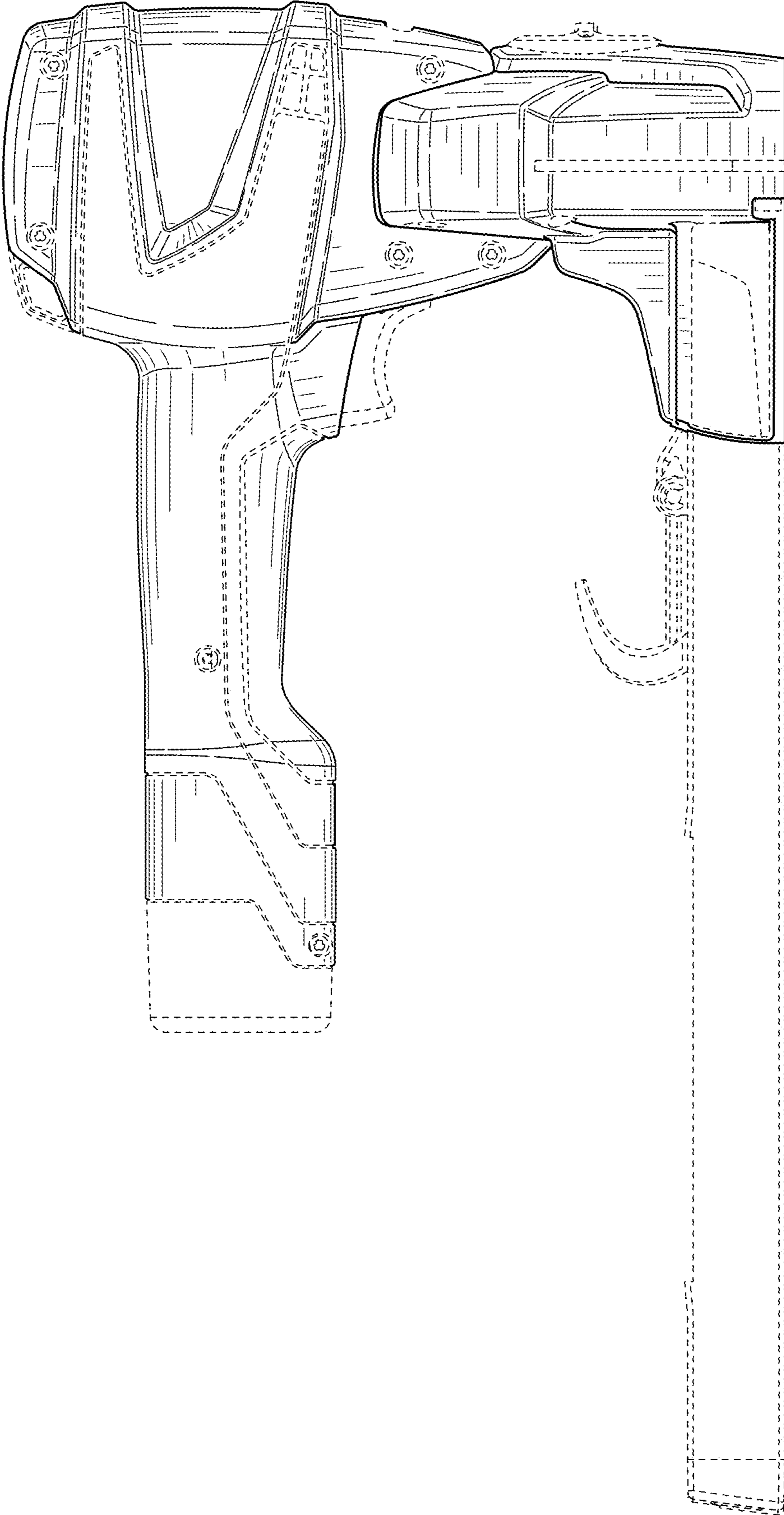


FIG. 8

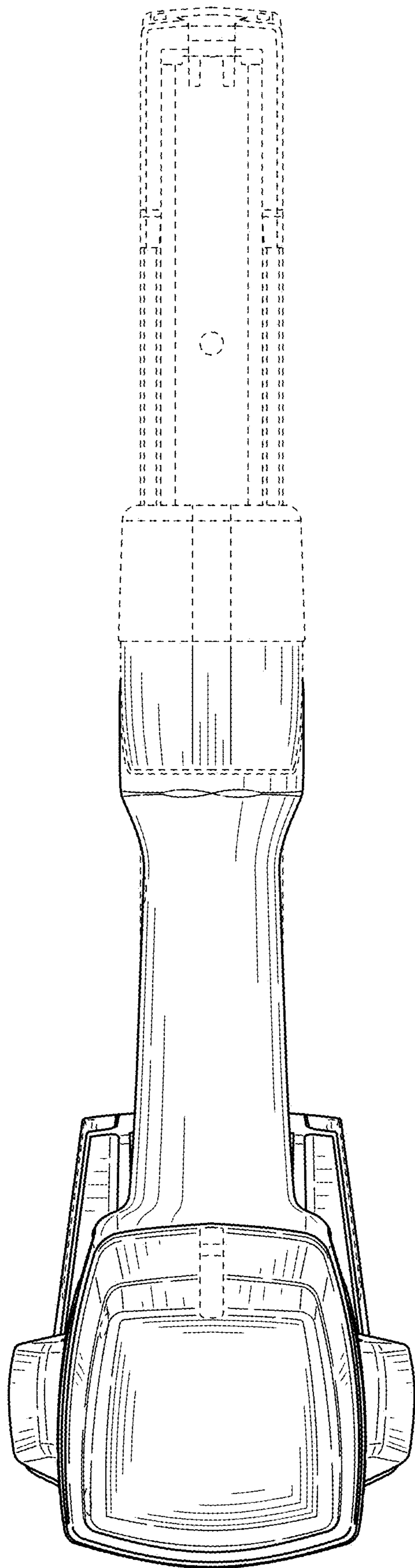


FIG. 9

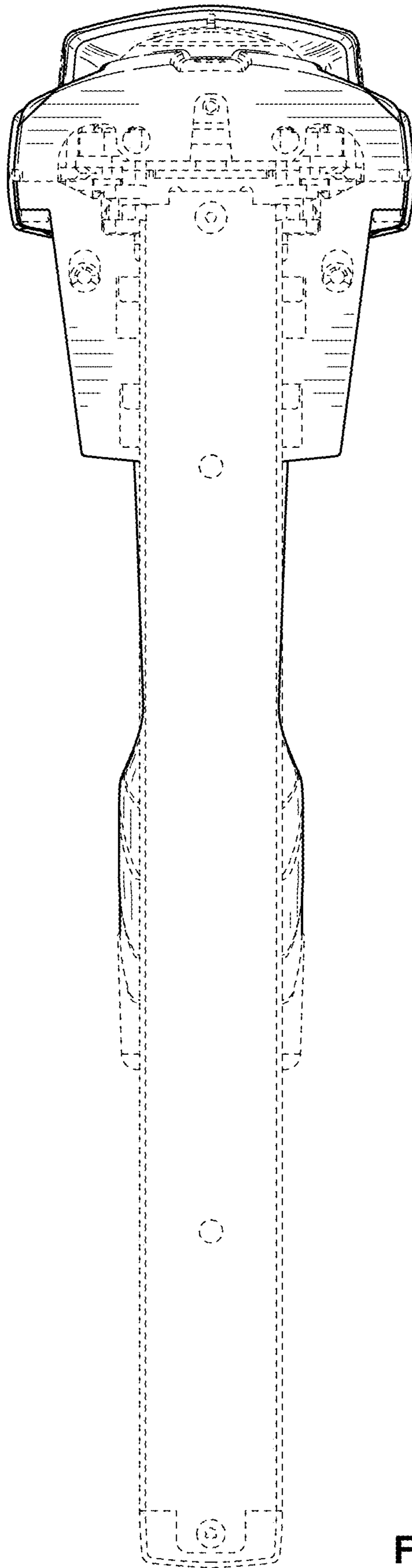


FIG. 10