

US00D873105S

(12) **United States Design Patent** (10) **Patent No.:** **US D873,105 S**  
**Concari** (45) **Date of Patent:** **\*\* Jan. 21, 2020**

(54) **CORDLESS NAILER** 6,913,180 B2 \* 7/2005 Schuster ..... B25C 1/005  
227/109  
(71) Applicant: **BLACK & DECKER INC.**, New Britain, CT (US) D512,620 S \* 12/2005 Thomas ..... D8/69  
D514,911 S \* 2/2006 Thomas ..... D8/69  
D532,668 S \* 11/2006 Wen ..... D8/69  
(72) Inventor: **Gabriel E. Concari**, Eldersburg, MD D660,122 S \* 5/2012 Hotta ..... D8/69  
(US) D699,535 S \* 2/2014 Albrecht ..... D8/68  
D713,704 S \* 9/2014 Wang ..... D8/68  
(73) Assignee: **Black & Decker, Inc.**, New Britain, CT D724,404 S \* 3/2015 Fischer-Zernin ..... D8/68  
(US) D787,290 S \* 5/2017 Meyer ..... D8/68  
2005/0001007 A1 \* 1/2005 Butzen ..... B25C 1/005  
227/130  
(\*\*) Term: **15 Years** 2012/0292472 A1 \* 11/2012 Segura ..... B25F 5/02  
248/225.21

(21) Appl. No.: **29/603,047**  
(22) Filed: **May 5, 2017**

\* cited by examiner  
*Primary Examiner* — Darlington Ly  
(74) *Attorney, Agent, or Firm* — Rhonda L. Barton

**Related U.S. Application Data**

(63) Continuation-in-part of application No. 29/620,368, filed on Nov. 7, 2016, now Pat. No. Des. 817,734.  
(51) **LOC (12) Cl.** ..... **08-05**  
(52) **U.S. Cl.**  
USPC ..... **D8/68**  
(58) **Field of Classification Search**  
USPC ..... D8/61-70  
CPC .. B25C 1/001; B25C 1/04; B25C 1/06; B25C 1/041; B25C 1/047  
See application file for complete search history.

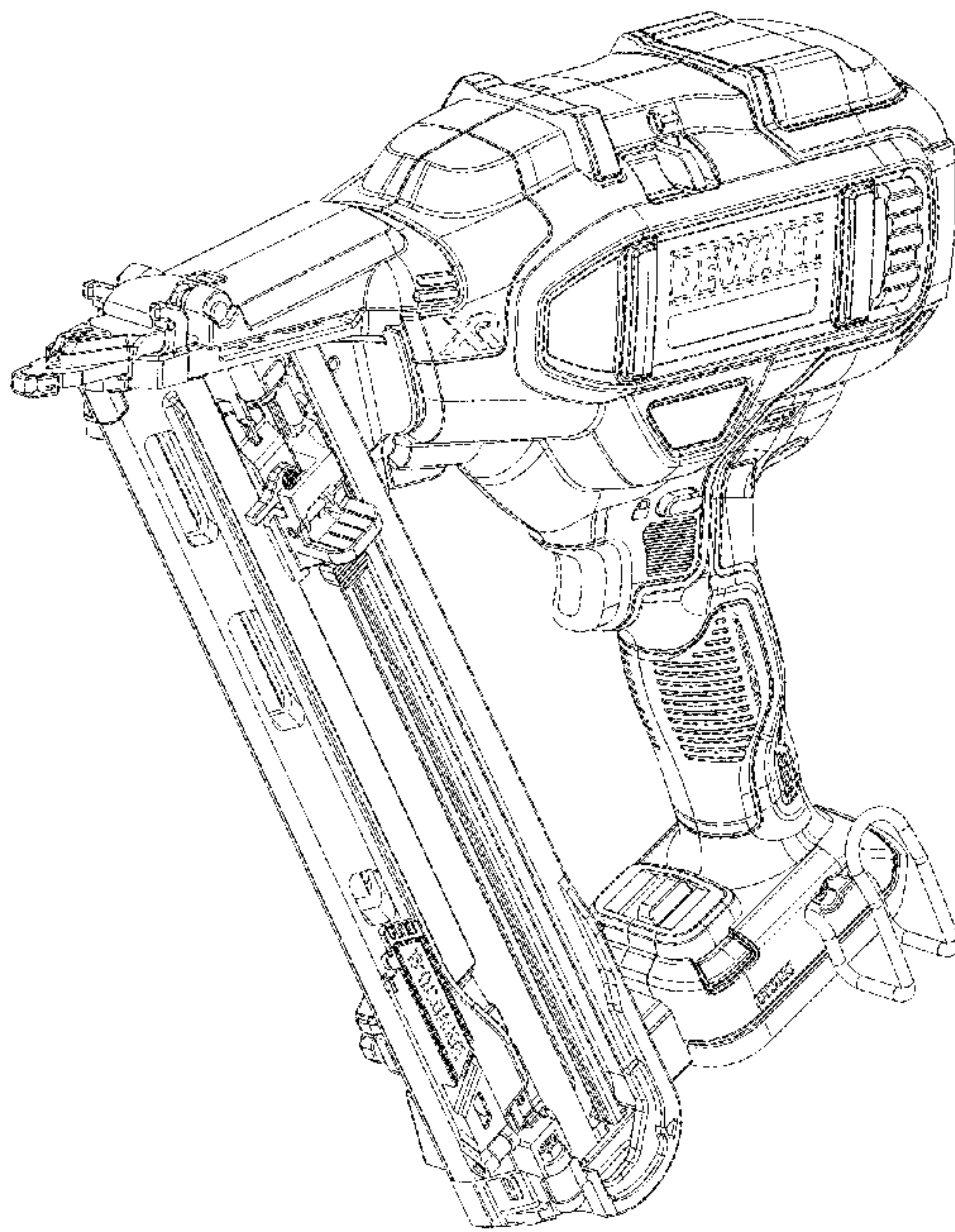
(57) **CLAIM**  
The ornamental design for a cordless nailer, as shown and described.

**DESCRIPTION**

FIG. 1 is a top and right-side perspective view of a first embodiment of a cordless nailer showing our new design; FIG. 2 is a top and left-side perspective view of the design of FIG. 1; FIG. 3 is a right-side elevation view thereof; FIG. 4 is a left-side elevation view thereof; FIG. 5 is a front elevation view thereof; FIG. 6 is a rear elevation view thereof; FIG. 7 is a top plan view thereof; and, FIG. 8 is a bottom plan view thereof. The broken lines in the drawings illustrate portions of the cordless nailer that form no part of the claimed design.

(56) **References Cited**  
U.S. PATENT DOCUMENTS  
D353,664 S \* 12/1994 Eminger ..... D8/69  
D483,240 S \* 12/2003 Garvis ..... D8/68  
D484,383 S \* 12/2003 Yang ..... D8/68  
D484,765 S \* 1/2004 Yang ..... D8/68  
D500,655 S \* 1/2005 Leasure ..... D8/69

**1 Claim, 8 Drawing Sheets**





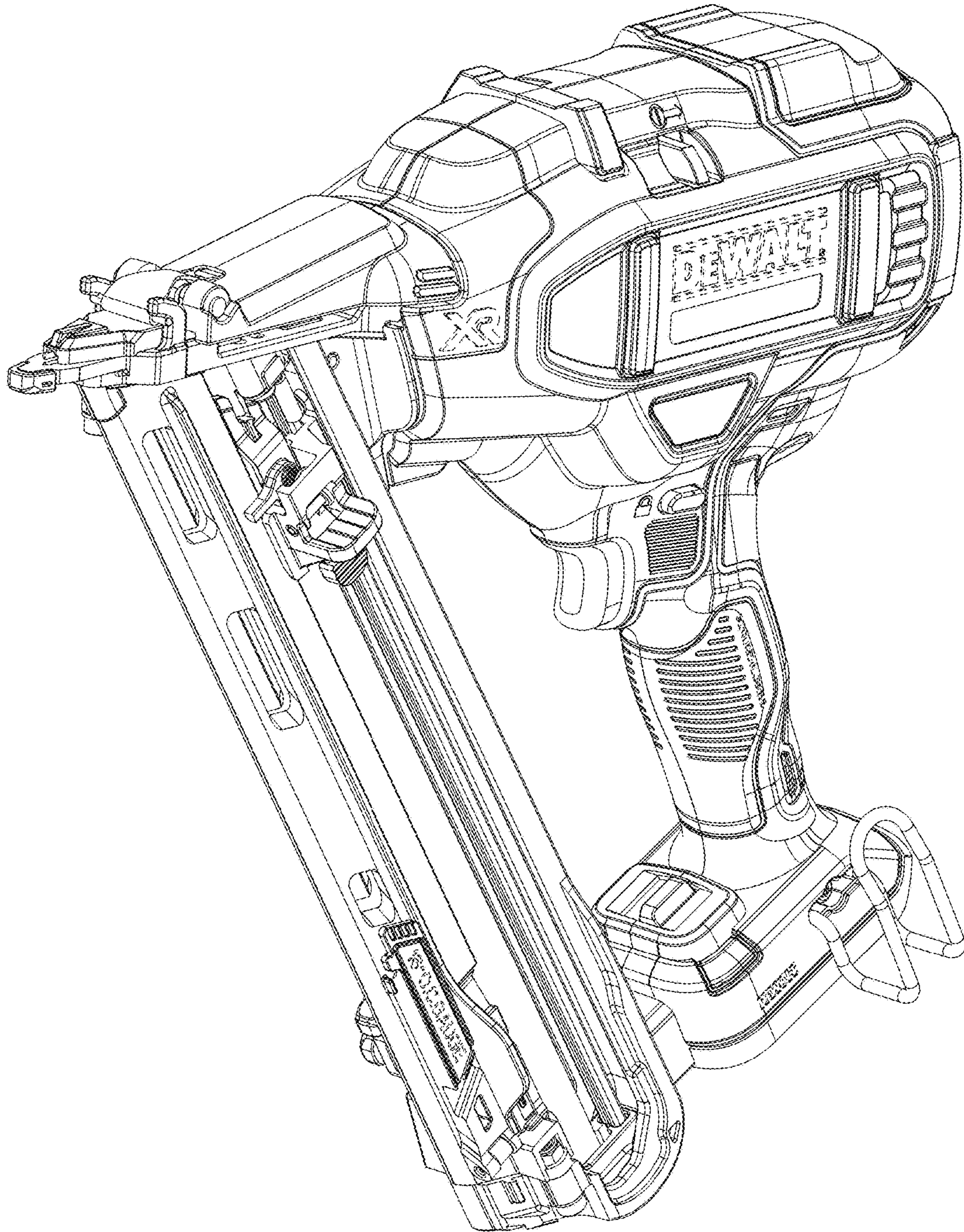


FIG. 1



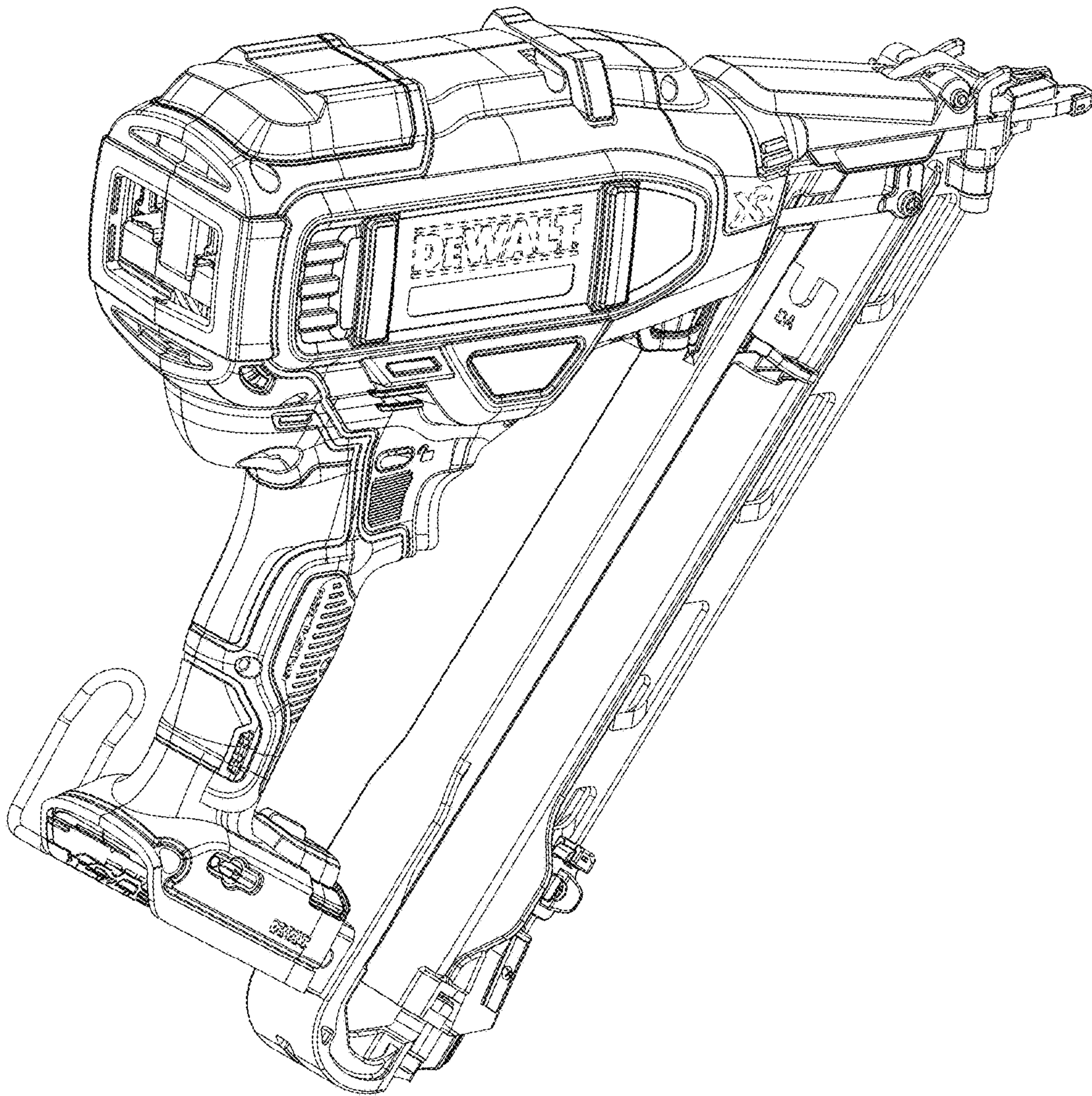


FIG. 2

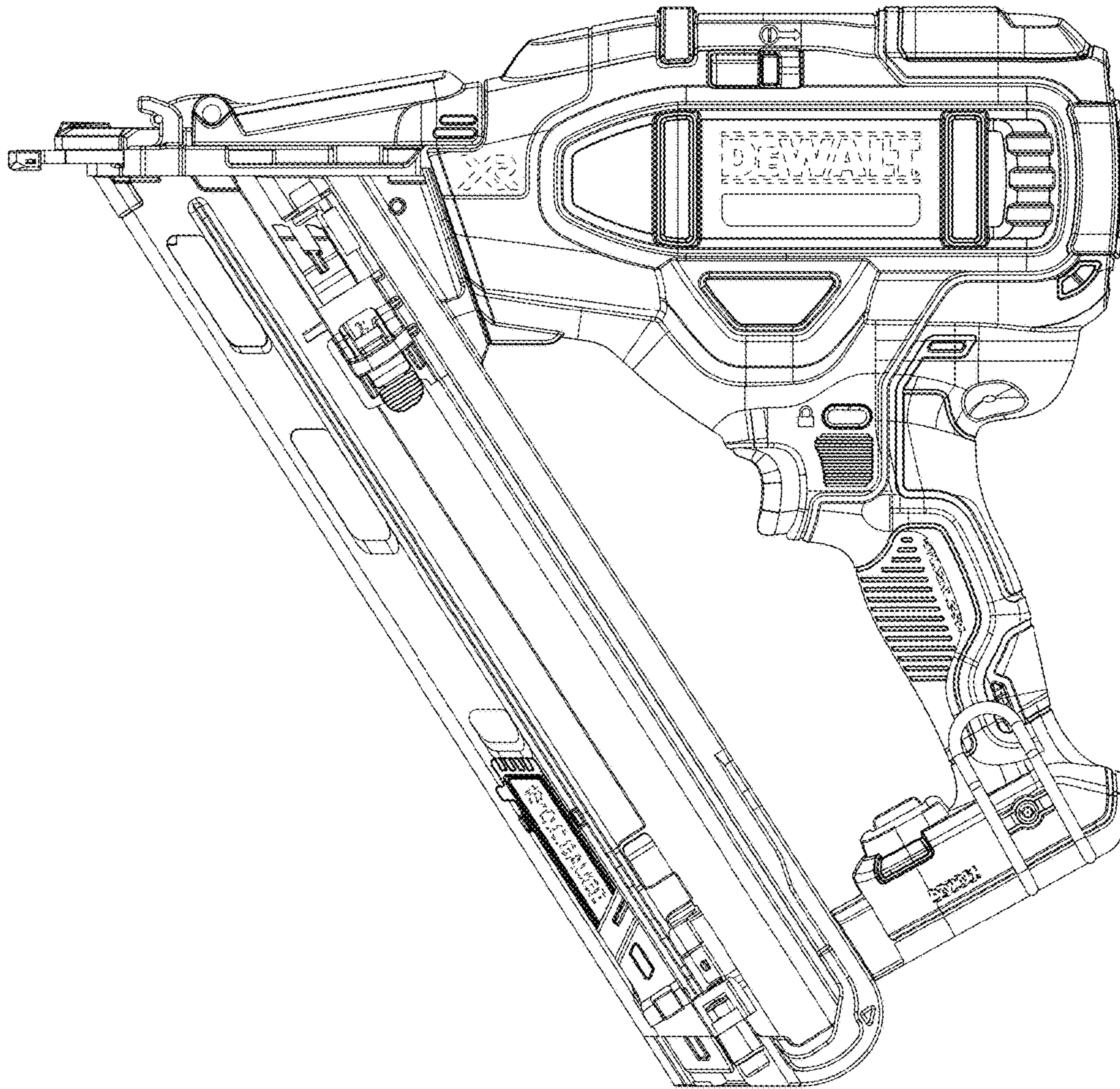


FIG. 3



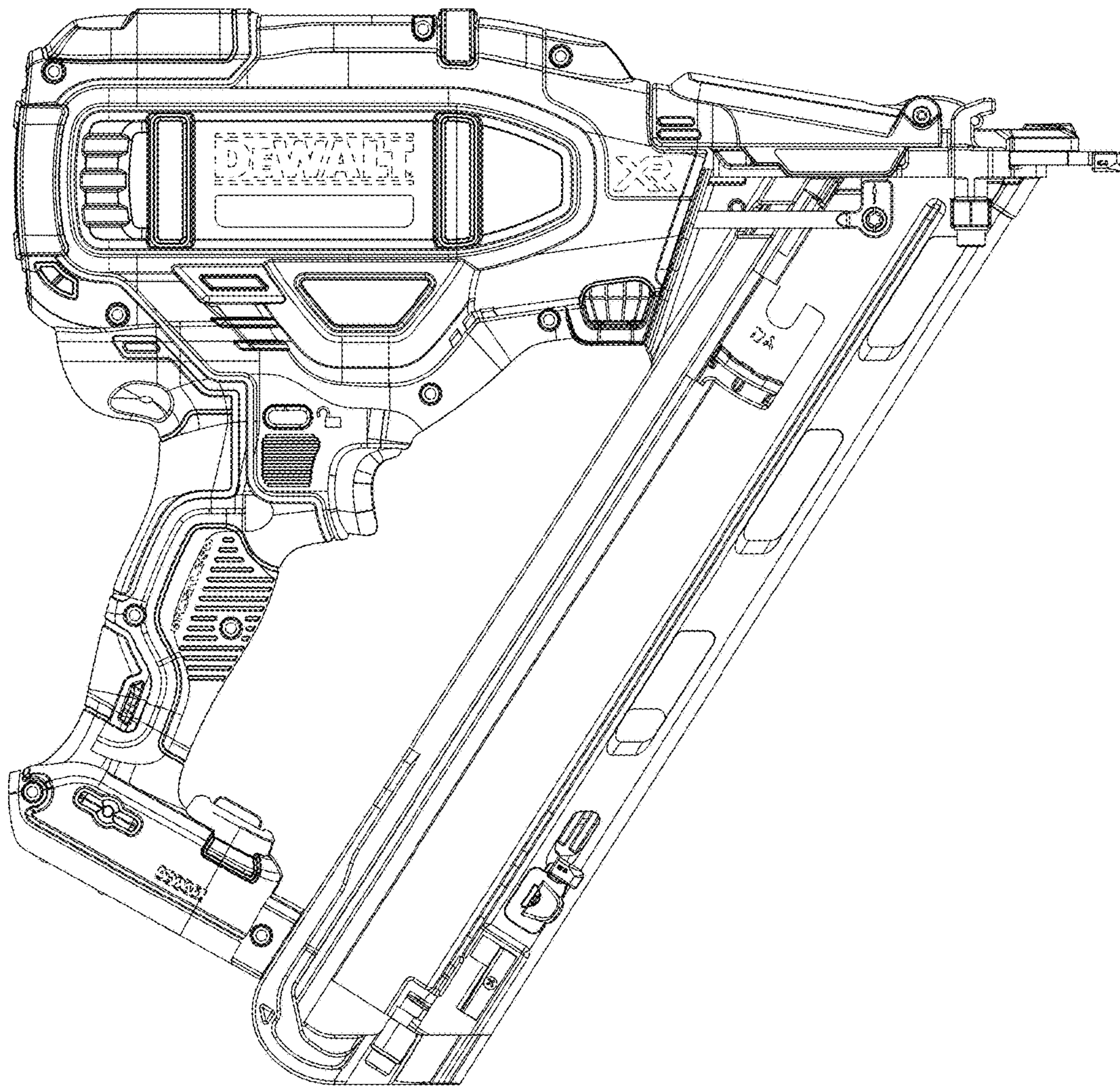


FIG. 4

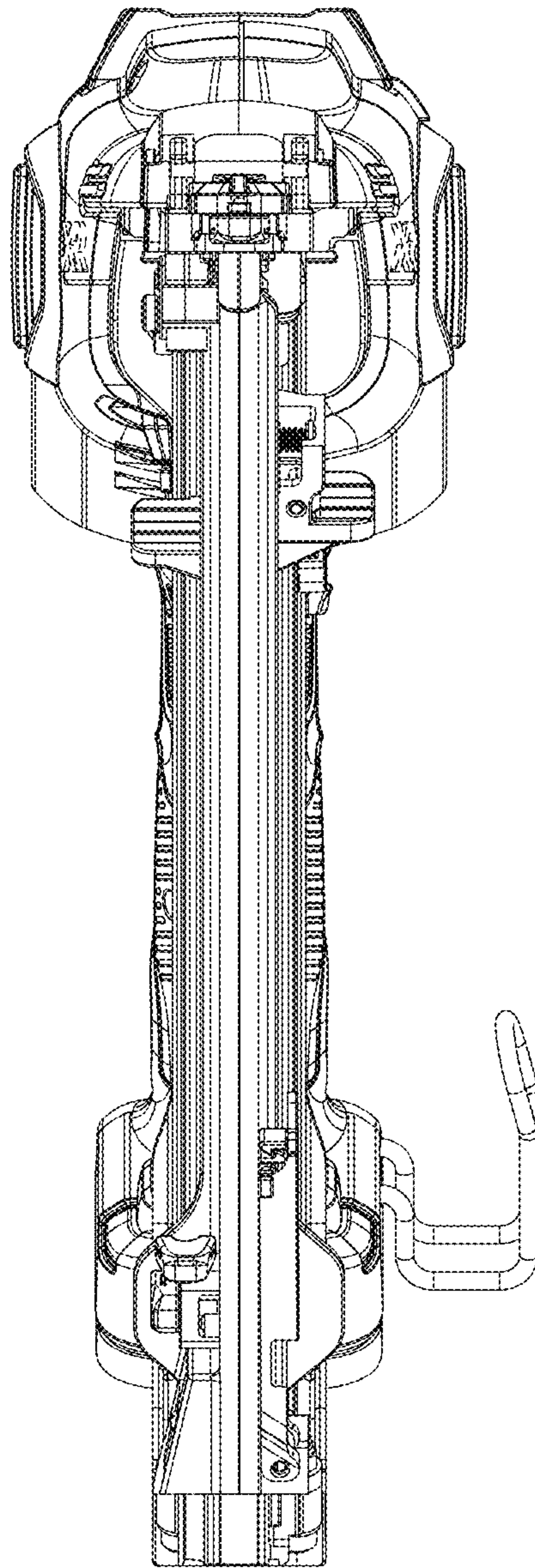


FIG. 5

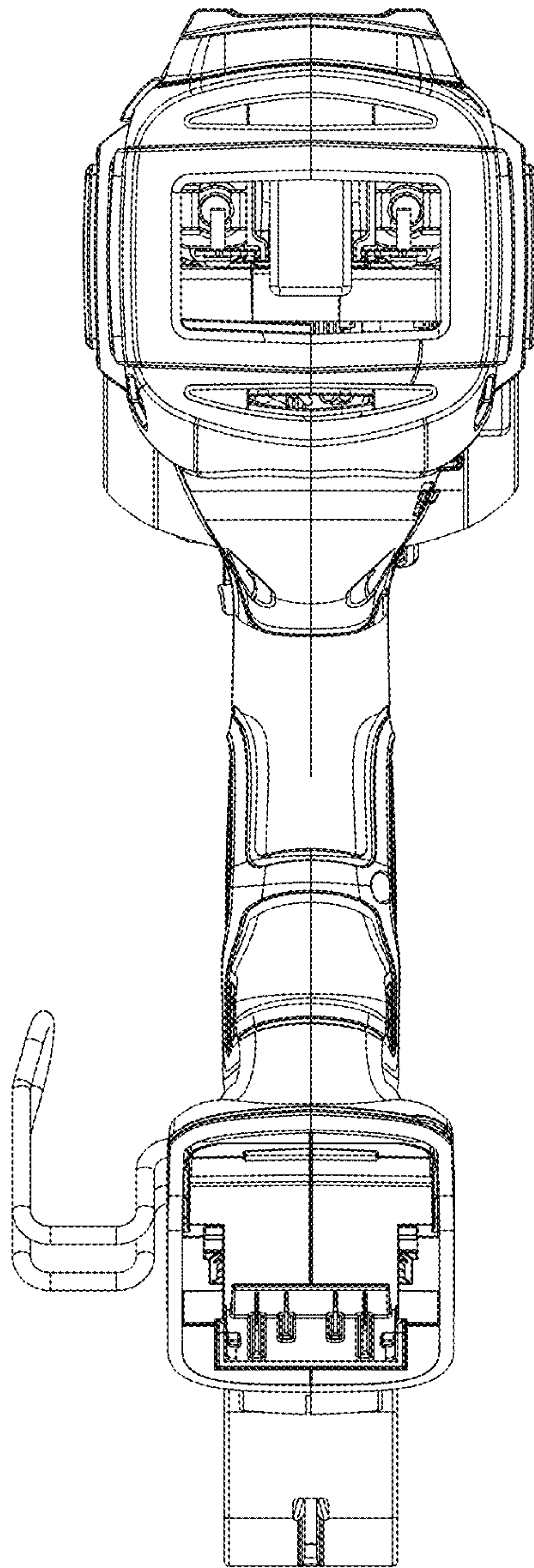


FIG. 6



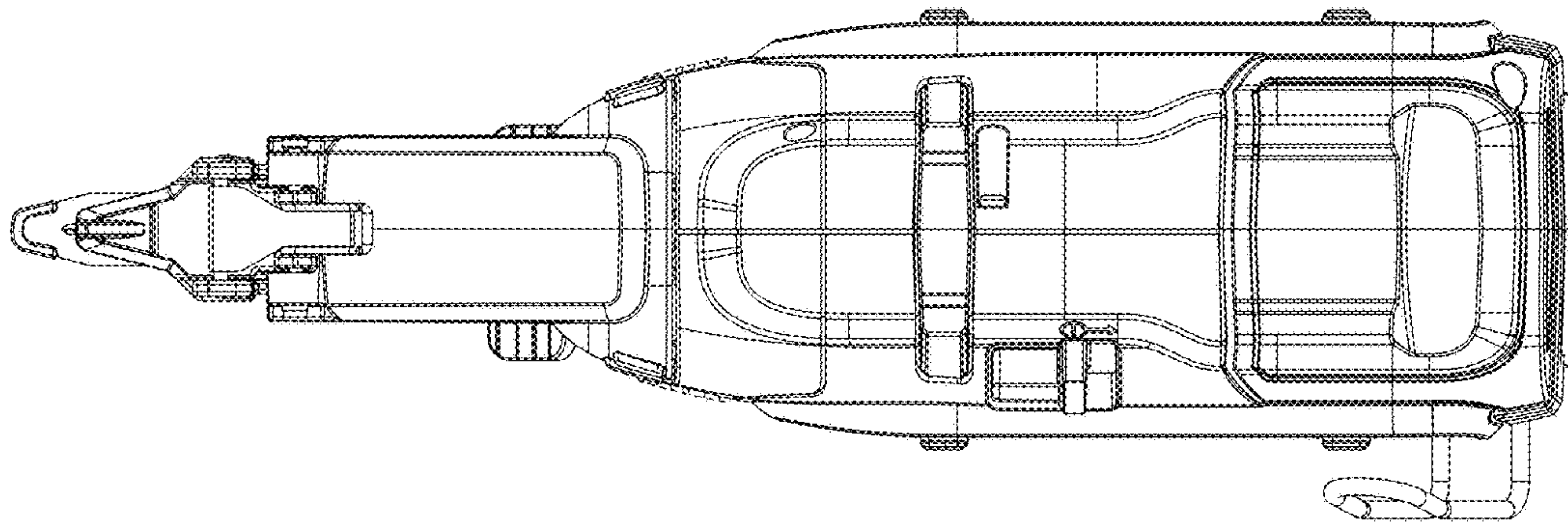


FIG. 7



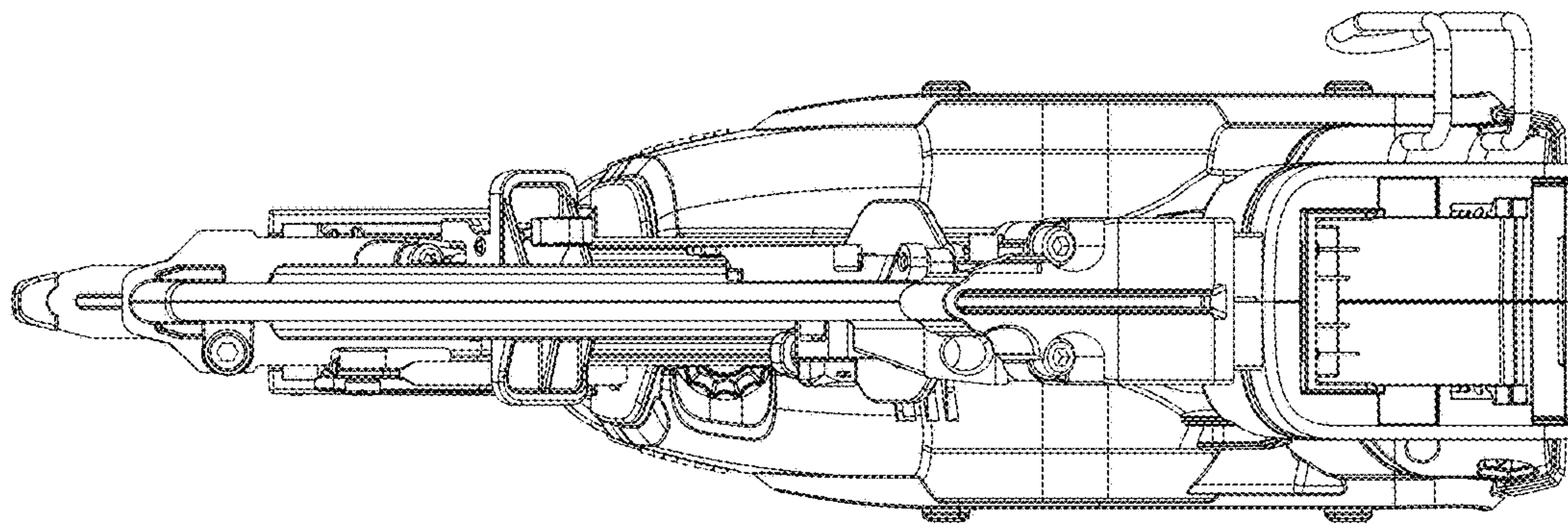


FIG. 8