



US00D873103S

(12) **United States Design Patent**  
**Chen**

(10) **Patent No.:** **US D873,103 S**

(45) **Date of Patent:** **\*\* Jan. 21, 2020**

- (54) **LITHIUM ELECTRIC GRINDING**
- (71) Applicant: **Shenzhen Aukeyhi Technology Co., Ltd.**, Shenzhen (CN)
- (72) Inventor: **Gongda Chen**, Shenzhen (CN)
- (\*\*) Term: **15 Years**
- (21) Appl. No.: **29/669,554**
- (22) Filed: **Nov. 9, 2018**
- (51) **LOC (12) Cl.** ..... **08-01**
- (52) **U.S. Cl.**  
USPC ..... **D8/61**
- (58) **Field of Classification Search**  
USPC ..... D8/61, 62, 67, 69; 81/57, 57.11, 57.14,  
81/57.26, 429, 464, 469; 173/2, 170,  
173/176, 181  
CPC ..... B25B 21/02; B25B 21/008; B25B 23/16;  
B25B 23/1405; A61B 17/1615  
See application file for complete search history.

(56) **References Cited**

**U.S. PATENT DOCUMENTS**

D310,160 S *	8/1990	Patel	.....	D8/61
D427,040 S *	6/2000	Heun	.....	D8/61
D427,870 S *	7/2000	Heun	.....	D8/61
D433,905 S *	11/2000	Cooper	.....	D8/61
D459,176 S *	6/2002	Duennes	.....	D8/61
D491,031 S *	6/2004	Davis	.....	D8/61
D507,730 S *	7/2005	Oles	.....	D8/61

D510,848 S *	10/2005	Singh	.....	D8/61
D529,354 S *	10/2006	Davis	.....	D8/61
D556,000 S *	11/2007	Singh	.....	D8/61
D568,131 S *	5/2008	Huguet	.....	D8/61
D618,079 S *	6/2010	Blythe	.....	D8/61
D663,180 S *	7/2012	Jerome	.....	D8/61
D677,540 S *	3/2013	Meyers	.....	D8/61
D768,452 S *	10/2016	Padget	.....	D8/61

\* cited by examiner

*Primary Examiner* — Austin Murphy

(74) *Attorney, Agent, or Firm* — ZANIP

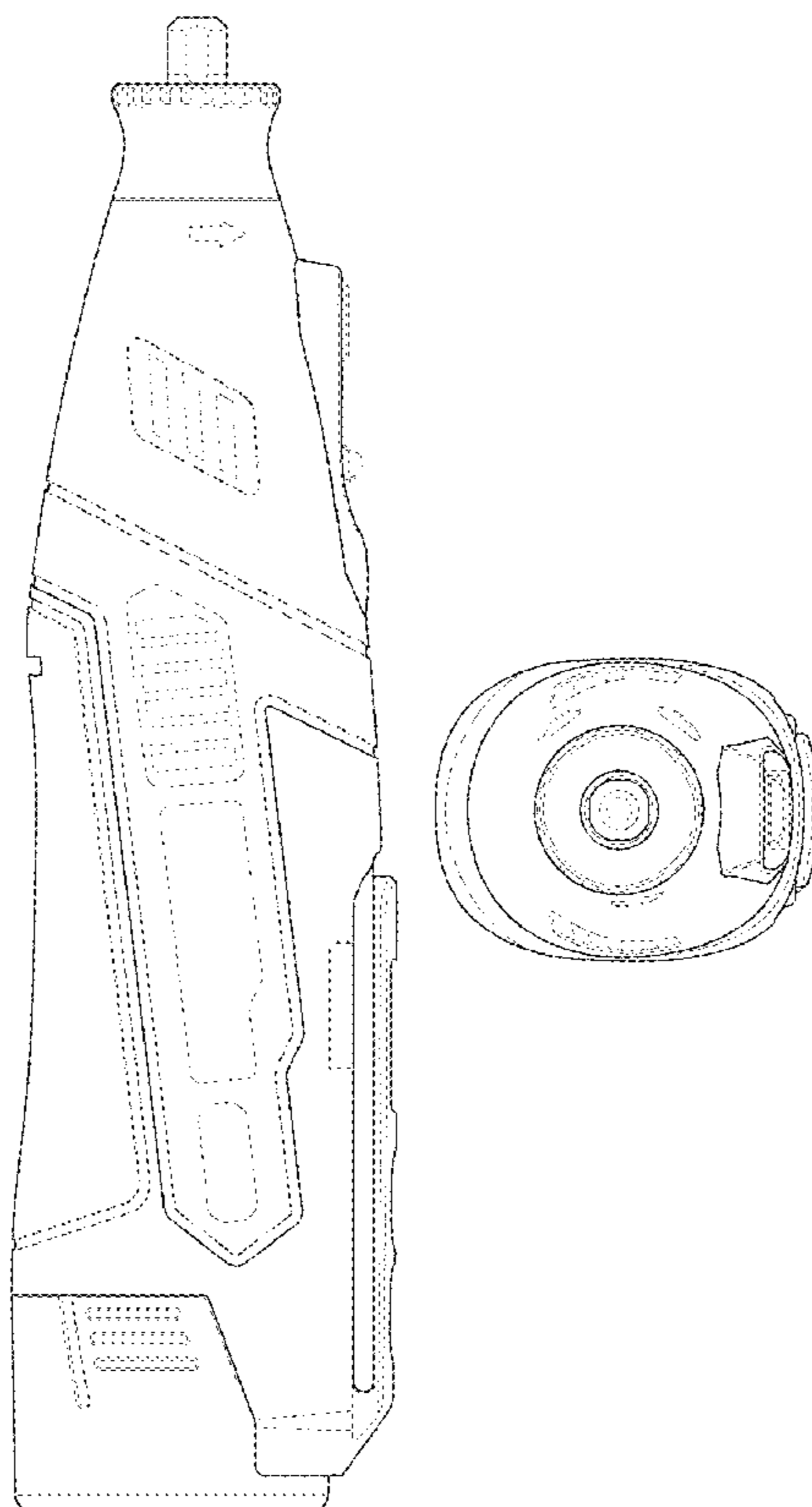
(57) **CLAIM**

The ornamental design for a lithium electric grinding, as shown and described.

**DESCRIPTION**

FIG. 1 is a front elevational view of the lithium electric grinding showing my new design;  
 FIG. 2 is a rear elevational view thereof;  
 FIG. 3 is a left side elevational view thereof;  
 FIG. 4 is a right side elevational view thereof;  
 FIG. 5 is a top plan view thereof;  
 FIG. 6 is a bottom plan view thereof; and,  
 FIG. 7 is a front, right side perspective view thereof.  
 The broken lines in the drawings are for the purpose of illustrating portions of the lithium electric grinding that form no part of the claimed design.

**1 Claim, 7 Drawing Sheets**



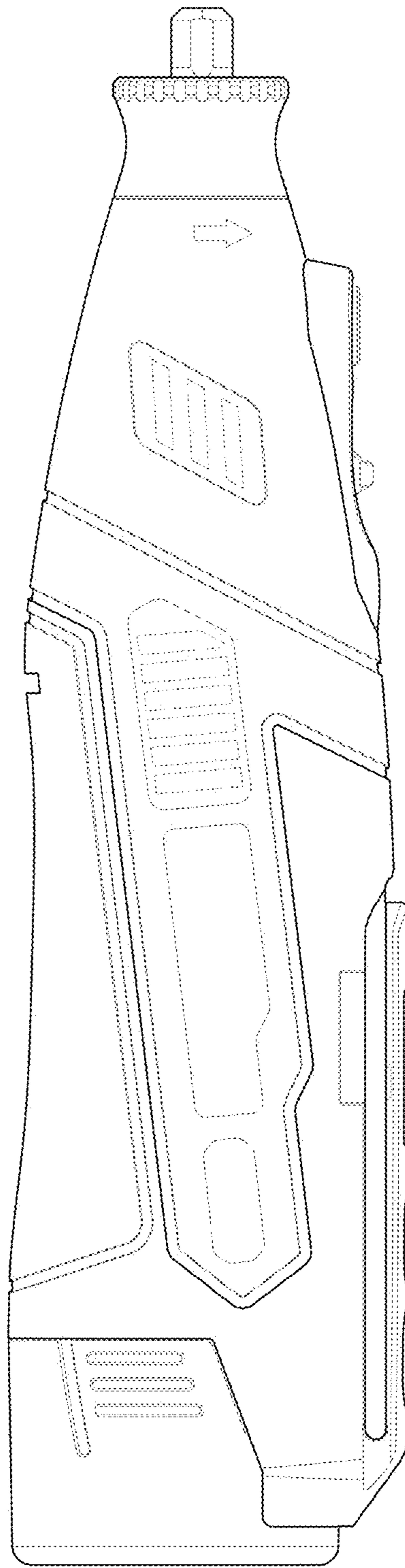


FIG. 1

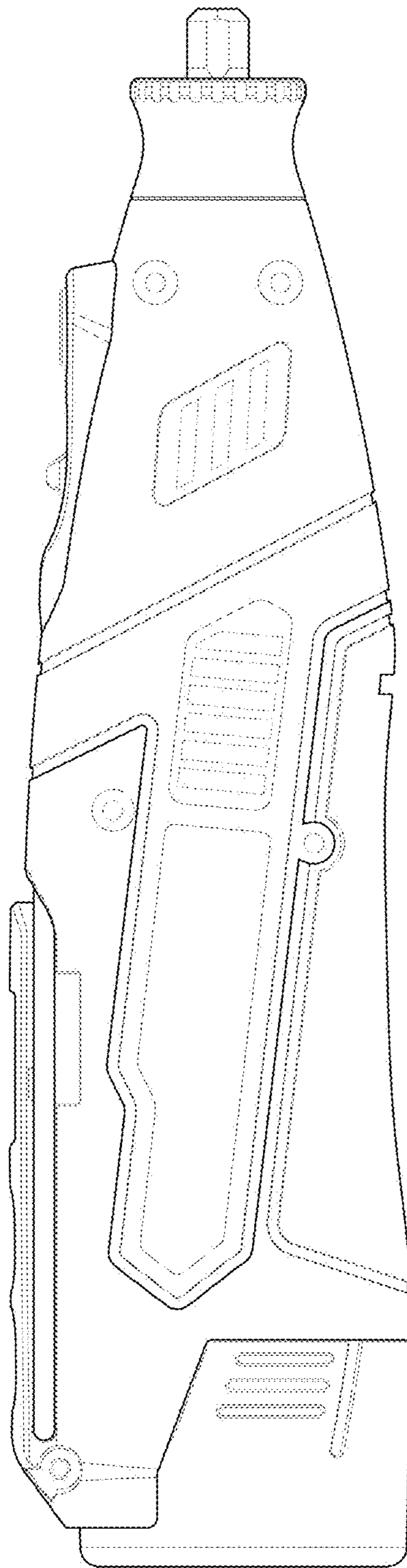


FIG.2

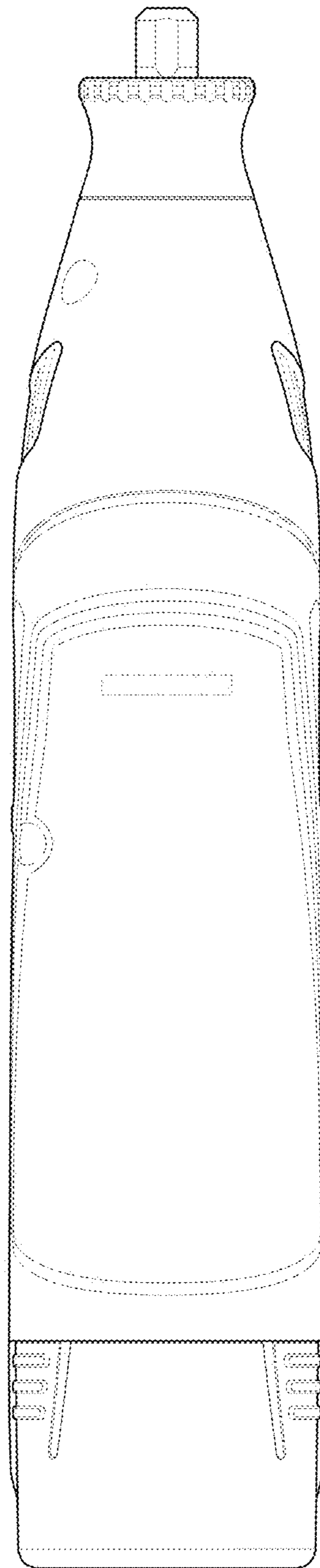


FIG. 3

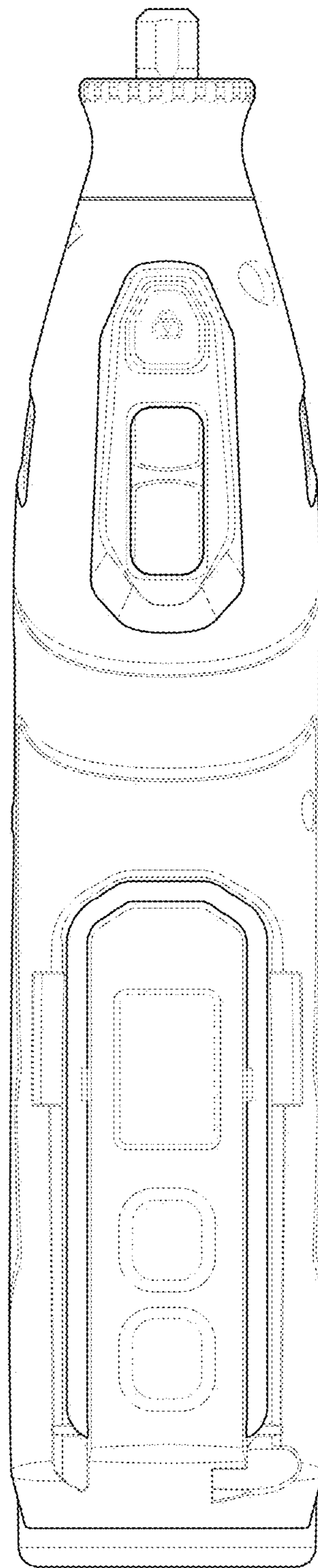


FIG.4

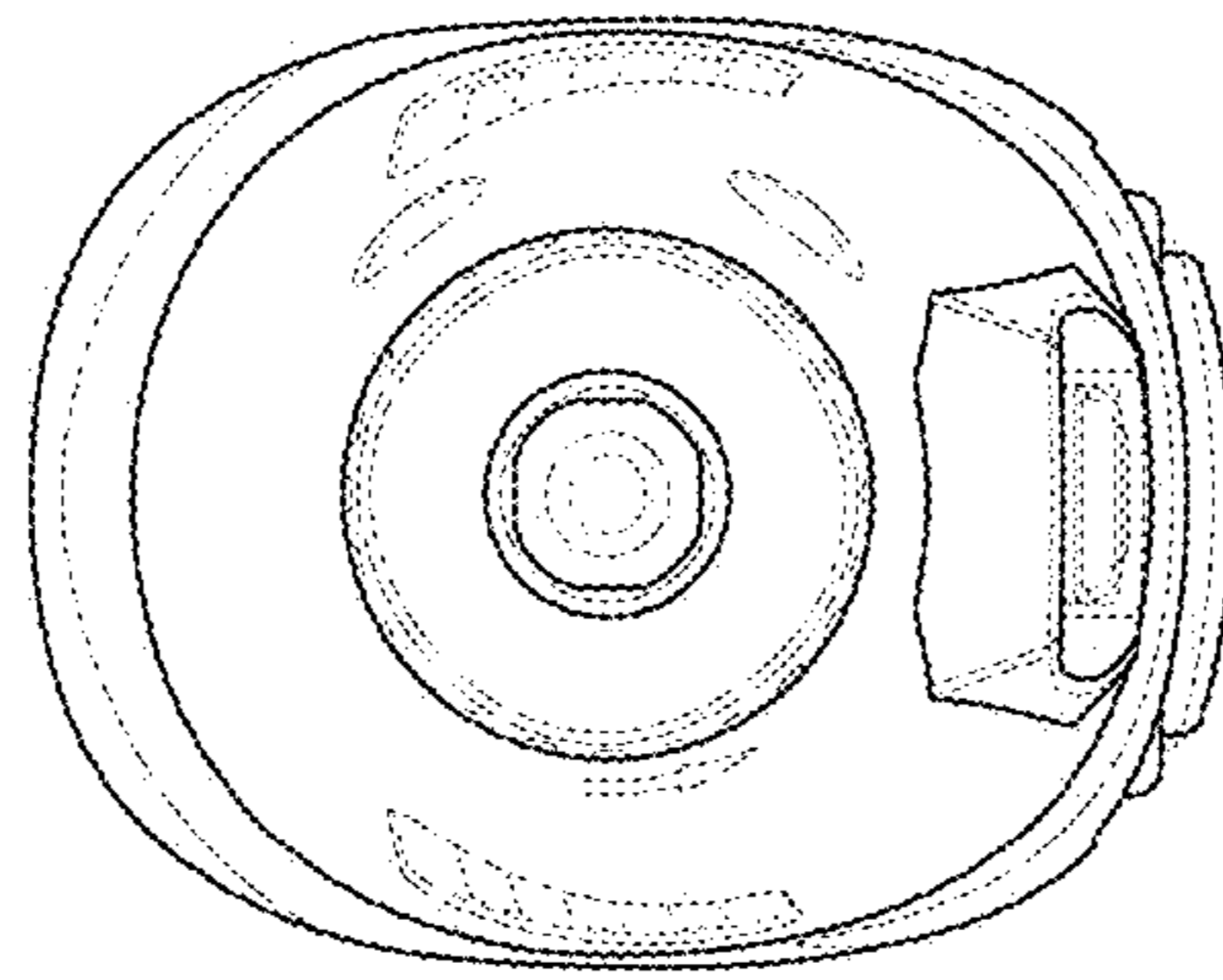


FIG.5

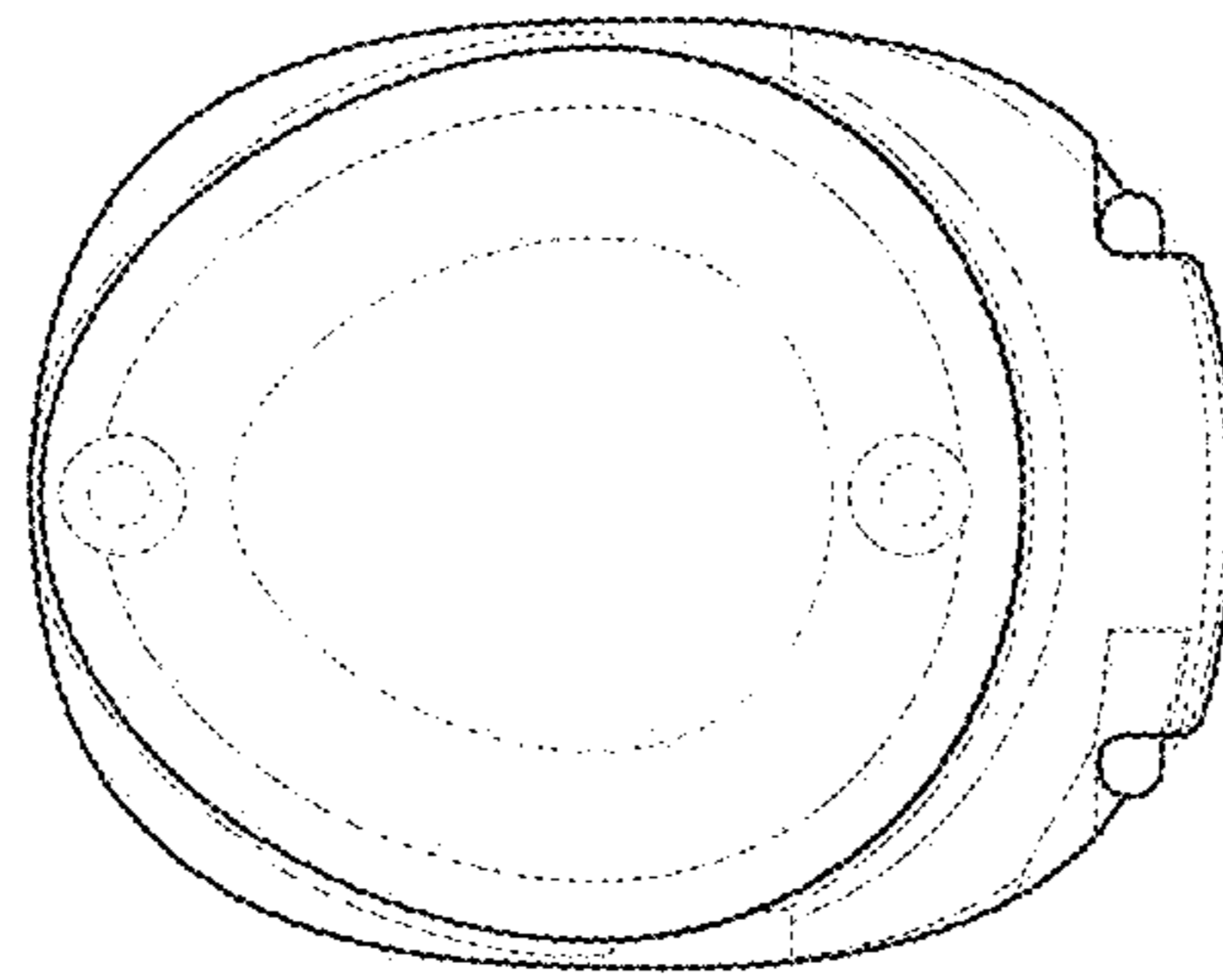


FIG.6

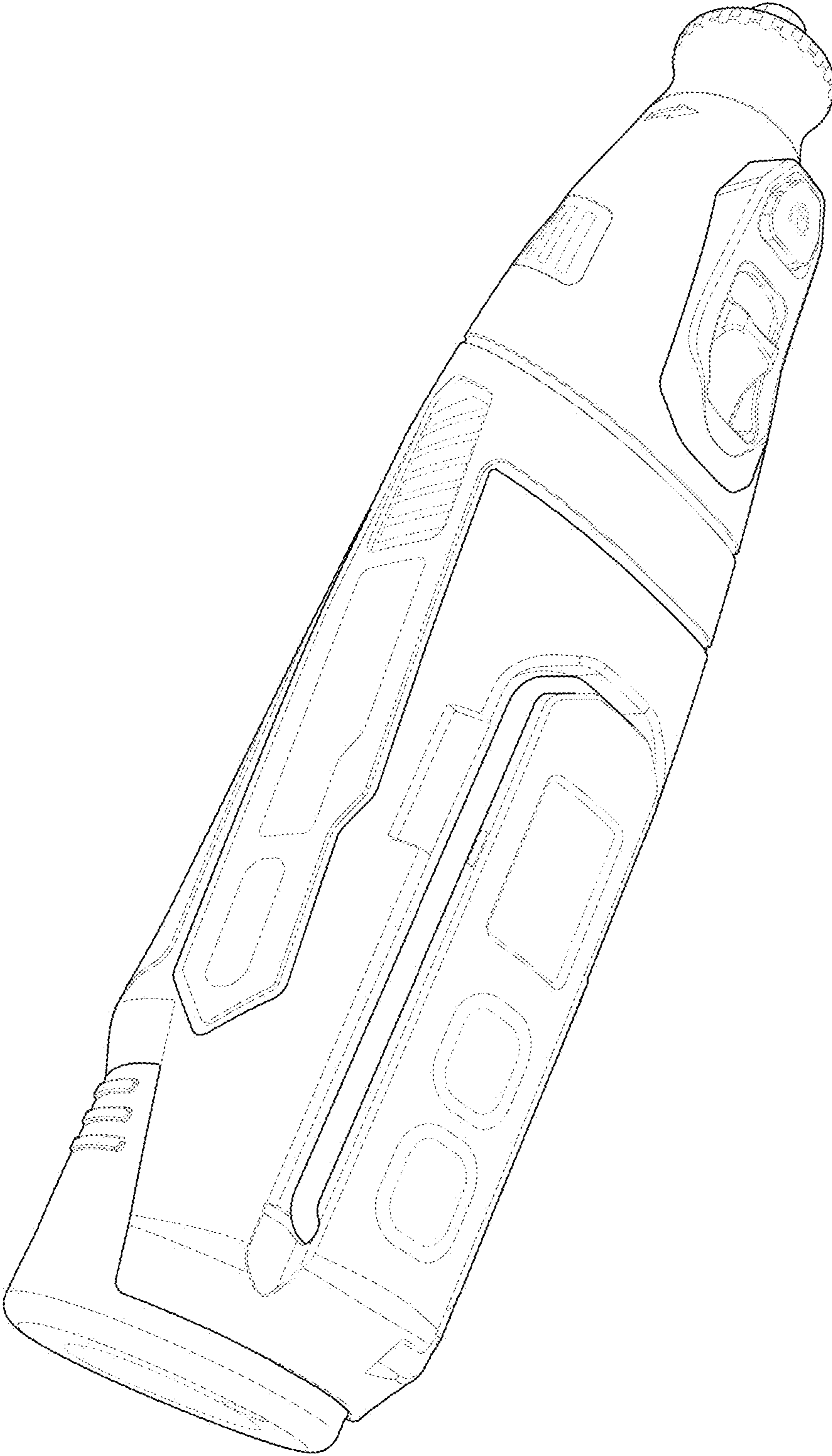


FIG. 7