



US00D873100S

(12) **United States Design Patent**
Buie, II

(10) **Patent No.:** **US D873,100 S**
(45) **Date of Patent:** **** Jan. 21, 2020**

(54) **COMBINED TOOL AND HANDLE FOR FIREARM MAINTENANCE**

(71) Applicant: **DAC Technologies Group International, Inc.**, Little Rock, AR (US)

(72) Inventor: **James H. Buie, II**, Little Rock, AR (US)

(73) Assignee: **DAC Technologies Group Int'l Inc.**, Miami, FL (US)

(**) Term: **15 Years**

(21) Appl. No.: **29/662,998**

(22) Filed: **Sep. 11, 2018**

(51) **LOC (12) Cl.** **08-05**

(52) **U.S. Cl.**
USPC **D8/25; D22/108**

(58) **Field of Classification Search**
USPC D8/25, 60, 97, 107; 16/110.1; 81/177.1, 81/177.85, 121.1, 124.3, 165-170, 110.1, 81/176.2, 124.6, 176.1, 176.15, 177.2, 81/186, 467, 476, 478, 480; 192/44, 45, 192/54.52; D24/133, 145, 147; 606/54, 606/59, 62, 63, 60, 64; D22/108
CPC .. B25G 1/00; B25B 1/00; B25B 13/00; B25B 23/00

See application file for complete search history.

(56) **References Cited**

U.S. PATENT DOCUMENTS

816,959 A	4/1906	Briganti
1,495,008 A	5/1924	Feagin
1,547,072 A	7/1925	Silcott
1,552,994 A	9/1925	Lindeman
1,769,967 A	7/1930	Saurman
2,058,756 A	10/1936	Earl
2,744,275 A	5/1956	Geltner

2,744,635 A	5/1956	Hiss
D192,047 S	1/1962	Farmer
3,064,294 A	11/1962	Stocking
3,076,904 A	2/1963	Arthur
D223,874 S	6/1972	Ellis
3,813,802 A	6/1974	Di Prospero
3,894,766 A	7/1975	Woodward
4,056,020 A	11/1977	Coviello
4,239,318 A	12/1980	Schwartz
D268,987 S	5/1983	Smith
4,399,627 A	8/1983	Malesky
4,499,625 A	2/1985	Bottomley
4,521,356 A	6/1985	Keller
4,716,673 A	1/1988	Williams
4,762,033 A	8/1988	Chow
4,807,384 A	2/1989	Southard
4,873,777 A	10/1989	Southard
4,899,415 A	2/1990	Wheeler

(Continued)

FOREIGN PATENT DOCUMENTS

GB 2185209 7/1987

Primary Examiner — Randall H Gholson

(74) *Attorney, Agent, or Firm* — Stephen D. Carver

(57) **CLAIM**

The ornamental design for a combined tool and handle for firearm maintenance, as shown.

DESCRIPTION

FIG. 1 is a top, frontal isometric view of the preferred embodiment of my new combined tool and handle for firearm maintenance;

FIG. 2 is a bottom isometric view thereof;

FIG. 3 is a top plan view thereof;

FIG. 4 is a bottom plan view thereof;

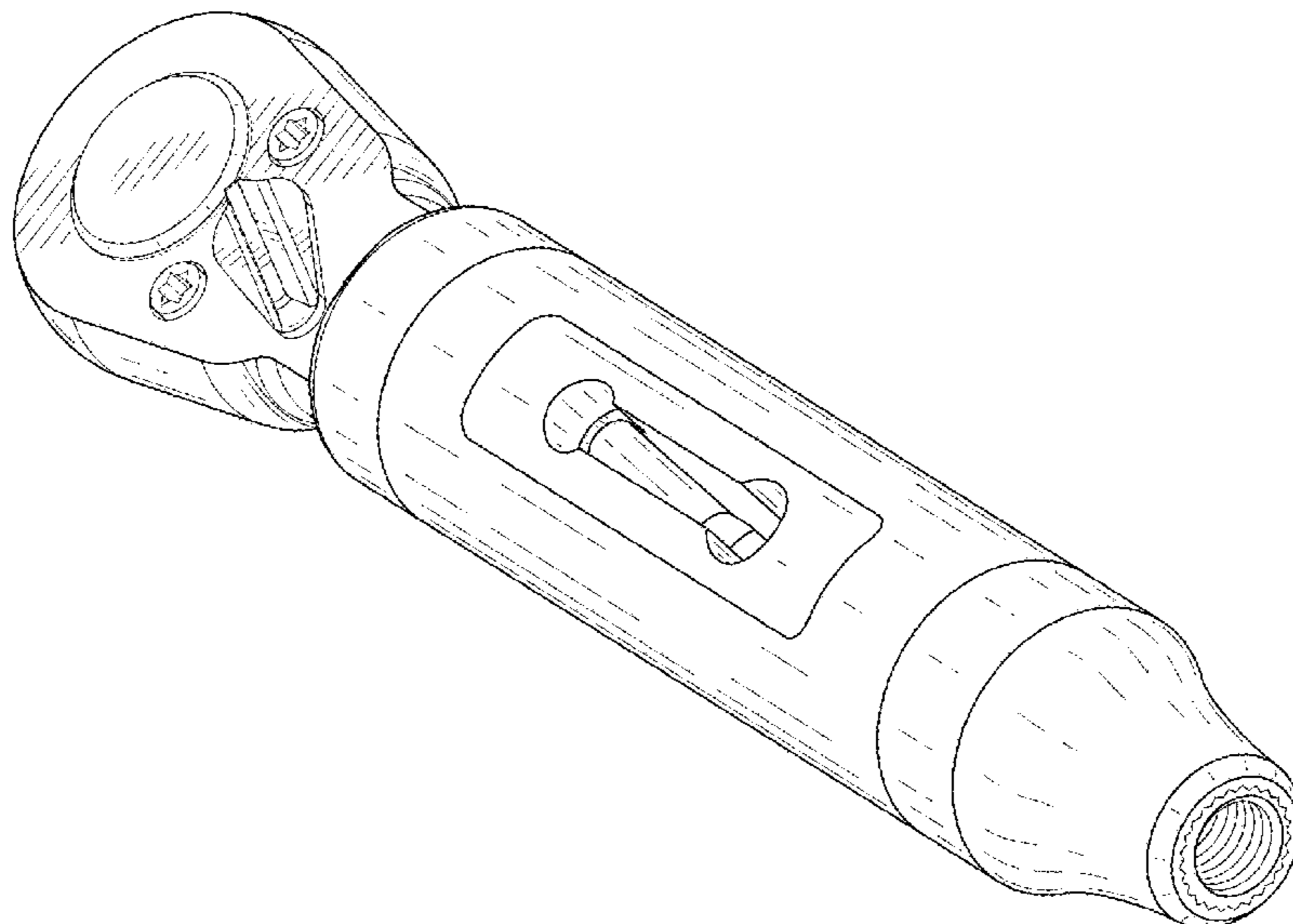
FIG. 5 is a left side elevational view thereof;

FIG. 6 is a right side elevational view thereof;

FIG. 7 is a front plan view thereof; and,

FIG. 8 is a rear plan view thereof.

1 Claim, 5 Drawing Sheets



(56)

References Cited

U.S. PATENT DOCUMENTS

4,901,464 A	2/1990	Banoun	6,640,480 B2	11/2003	Williams	
4,901,465 A	2/1990	Hsu	6,701,657 B1	3/2004	Hudspeth	
4,930,240 A	6/1990	Bice	D499,552 S	12/2004	Nissanoff	
D310,502 S	9/1990	Southard	D500,952 S	1/2005	Moore	
D313,886 S	1/1991	Southard	6,948,405 B1 *	9/2005	Simmons B25B 13/463 81/62
5,011,174 A	4/1991	Ross-Clunis	7,020,994 B2	4/2006	Buie, II	
D318,156 S	7/1991	Banovich	D535,476 S	1/2007	Pennington	
5,025,555 A	10/1991	Harmon	7,163,673 B2	1/2007	Marks	
5,075,998 A	12/1991	Selleck	7,356,961 B2	4/2008	Williams	
5,202,523 A	4/1993	Grossman	7,367,151 B1	5/2008	Black	
5,220,933 A	6/1993	Albers	7,451,707 B1	11/2008	Hadden	
5,233,124 A	8/1993	Peterson	D600,991 S	9/2009	Lai	
D339,470 S	9/1993	Marks	D602,663 S	10/2009	Pennington	
5,317,827 A	6/1994	Jaremco	7,628,164 B2	12/2009	Joen-an Ma	
5,337,505 A	8/1994	Brown	D619,728 S	7/2010	Bare	
5,379,542 A	1/1995	Guzman	7,841,472 B1	11/2010	Williams	
D357,584 S	4/1995	Swingler	8,146,284 B2	4/2012	Smith	
5,427,239 A	6/1995	Hunt	D663,177 S *	7/2012	Chen D8/25
D364,714 S	11/1995	Jeffery	D663,189 S	7/2012	Robinson	
5,480,166 A	1/1996	Milsop	D672,423 S	12/2012	Buie	
D371,413 S	7/1996	Crausby	D672,424 S	12/2012	Buie	
D373,297 S	9/1996	Hill	D675,433 S	2/2013	Buie	
D376,474 S	12/1996	Marks	D675,703 S	2/2013	Buie	
5,588,242 A	12/1996	Hughes	D677,355 S	3/2013	Buie	
5,645,091 A	7/1997	Hoeft	D677,356 S	3/2013	Buie	
D381,879 S	8/1997	Matthiesen	D683,810 S	6/2013	Buie	
5,755,055 A	5/1998	Thompson	D694,010 S	11/2013	Buie	
5,775,020 A	7/1998	Baird	D696,741 S	12/2013	Buie	
5,775,021 A	7/1998	Weiss	8,925,235 B2	1/2015	Buie	
D401,658 S	11/1998	Bullock	9,772,160 B2	11/2017	Sain	
D407,212 S	3/1999	Molaro	D808,766 S	1/2018	Weinberg	
D415,729 S	10/1999	Wells	2002/0095735 A1	7/2002	Yehin	
5,927,125 A	10/1999	Hedge	2003/0019180 A1	1/2003	Warren	
6,126,005 A	10/2000	Long, Jr.	2003/0136044 A1	7/2003	Williams	
6,209,723 B1	4/2001	Fields	2006/0010753 A1	1/2006	Buie, II	
6,244,899 B1	6/2001	Bogursky	2007/0266610 A1	11/2007	Coffield	
D446,706 S	8/2001	Kalomeris	2008/0295818 A1	12/2008	Styles	
6,269,579 B1	8/2001	Warner	2009/0145785 A1	6/2009	Garrett	
6,293,743 B1	9/2001	Ernst	2009/0193703 A1	8/2009	Riley	
D449,506 S	10/2001	Haung	2009/0199360 A1	8/2009	Madanat	
6,378,236 B1	4/2002	Soltberg	2010/0175296 A1	7/2010	Williams	
D457,697 S	5/2002	Savage	2011/0047853 A1	3/2011	Williams	
6,389,978 B1	5/2002	Hopper	2011/0209379 A1	9/2011	Williams	
D408,207 S	10/2003	Marks	2012/0073616 A1	3/2012	Kuelbs	
D480,522 S	10/2003	Sasaki	2017/0079706 A1	3/2017	Rinner	

* cited by examiner

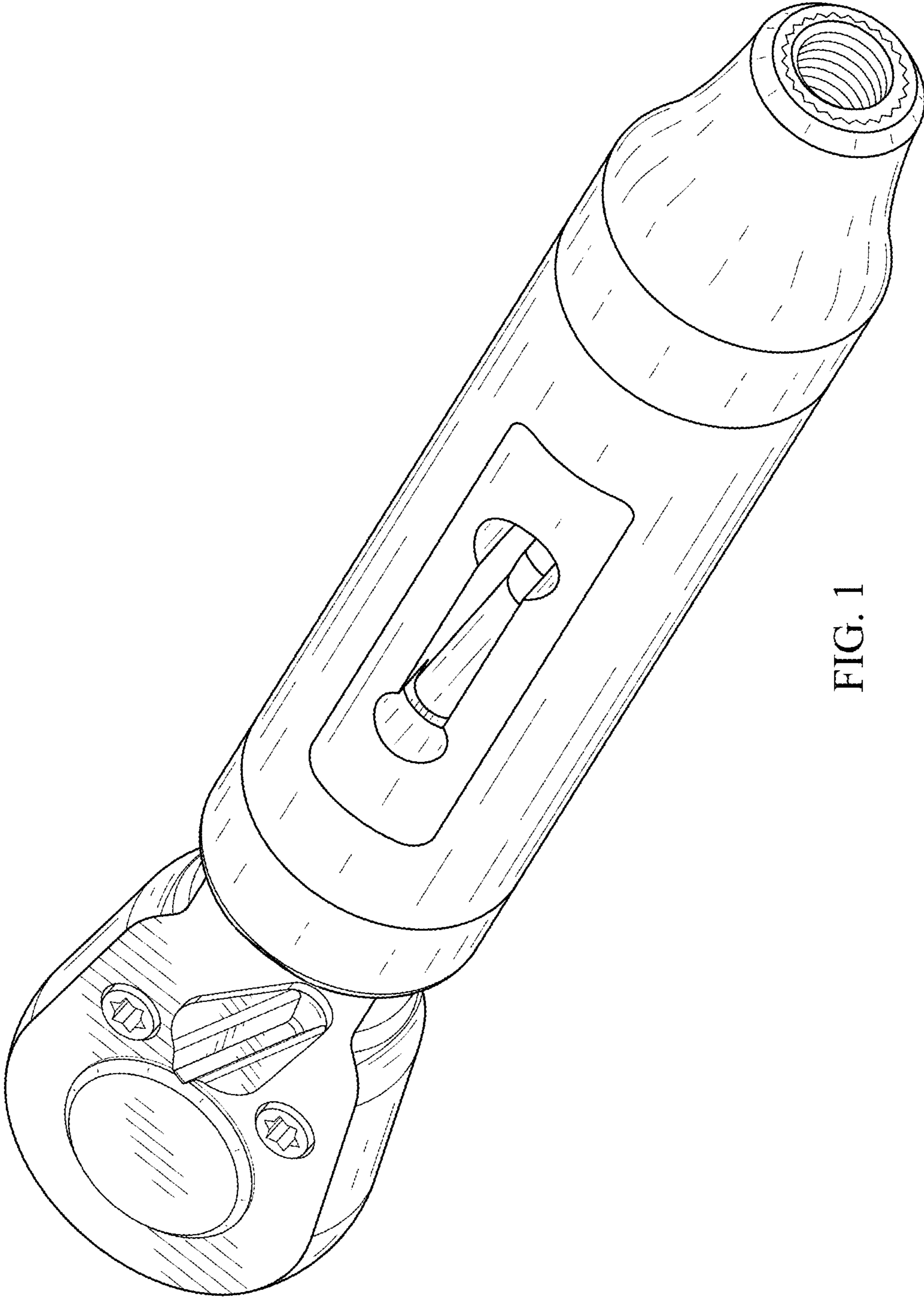


FIG. 1

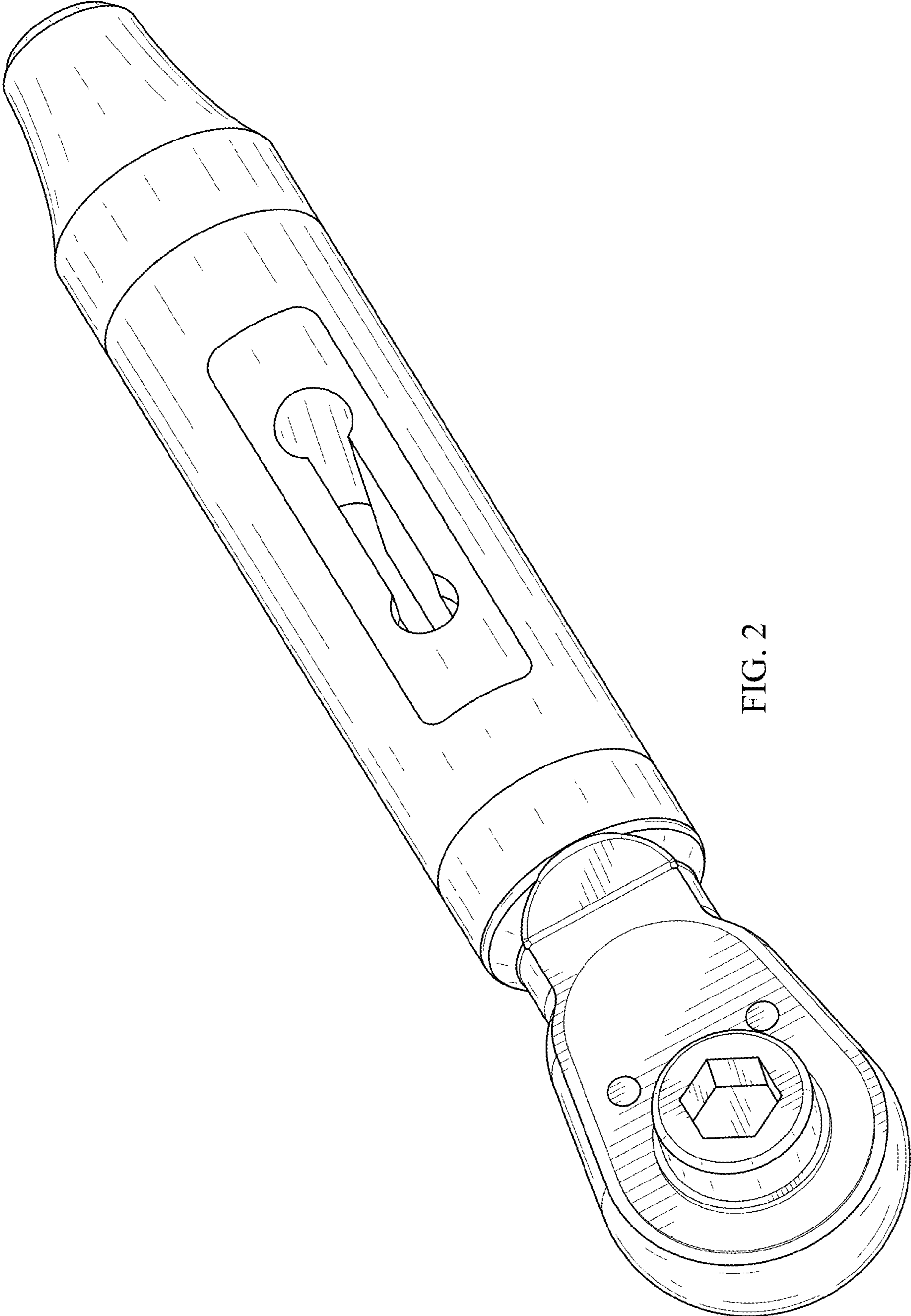


FIG. 2

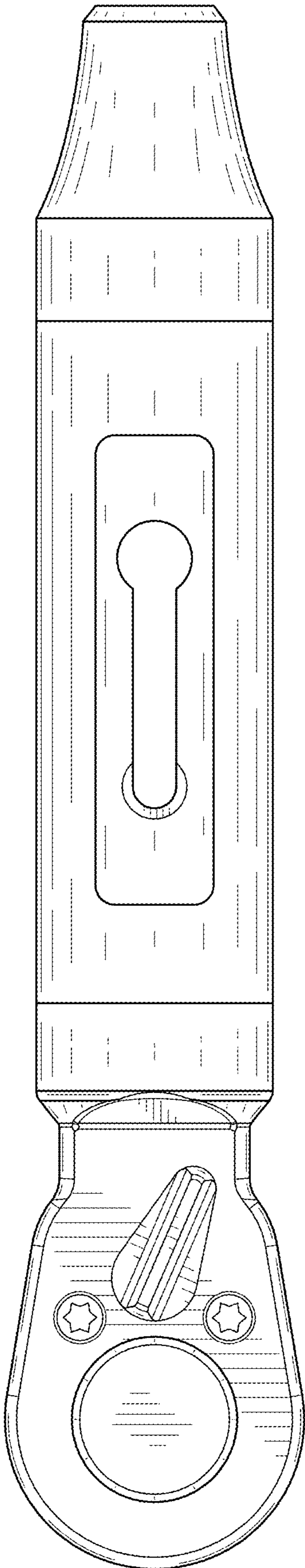


FIG. 3

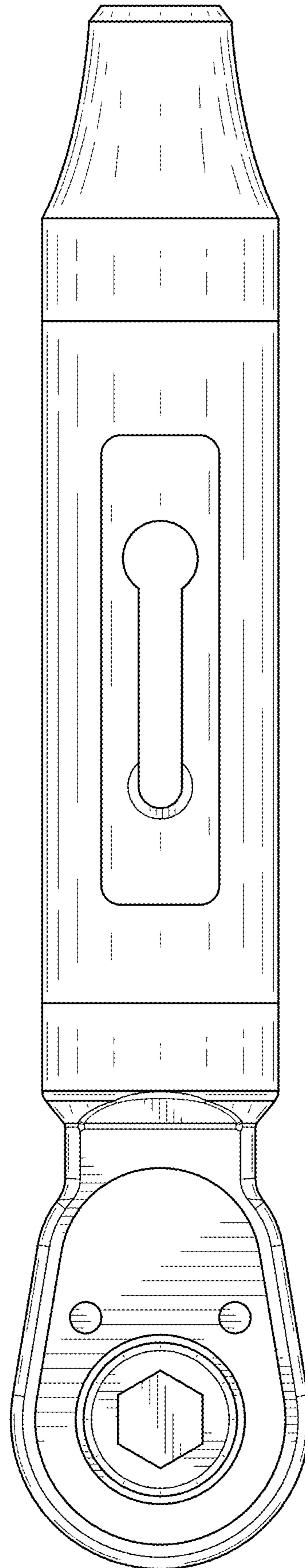


FIG. 4

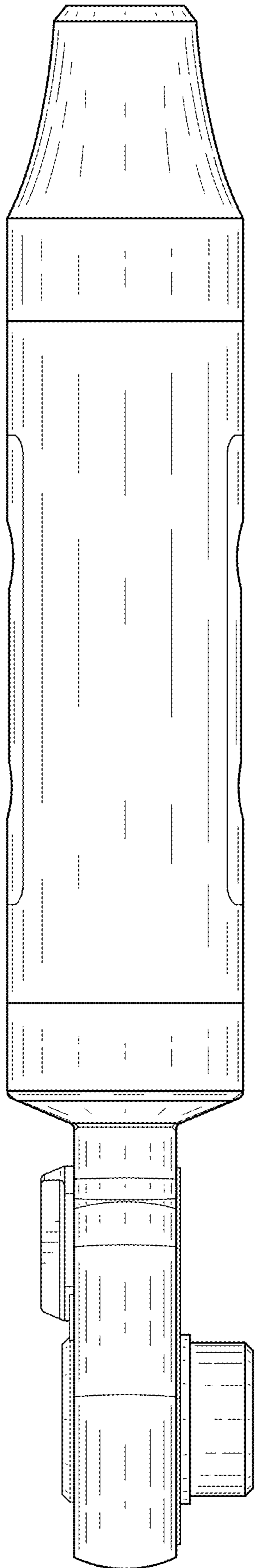


FIG. 5

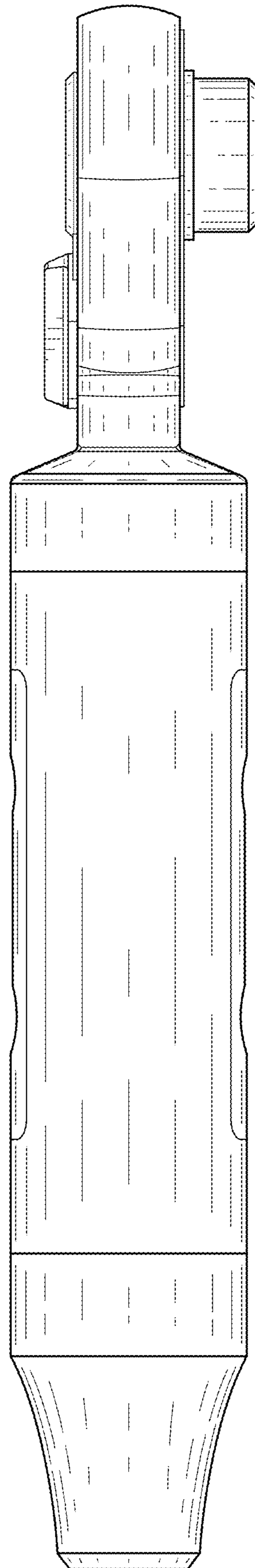


FIG. 6

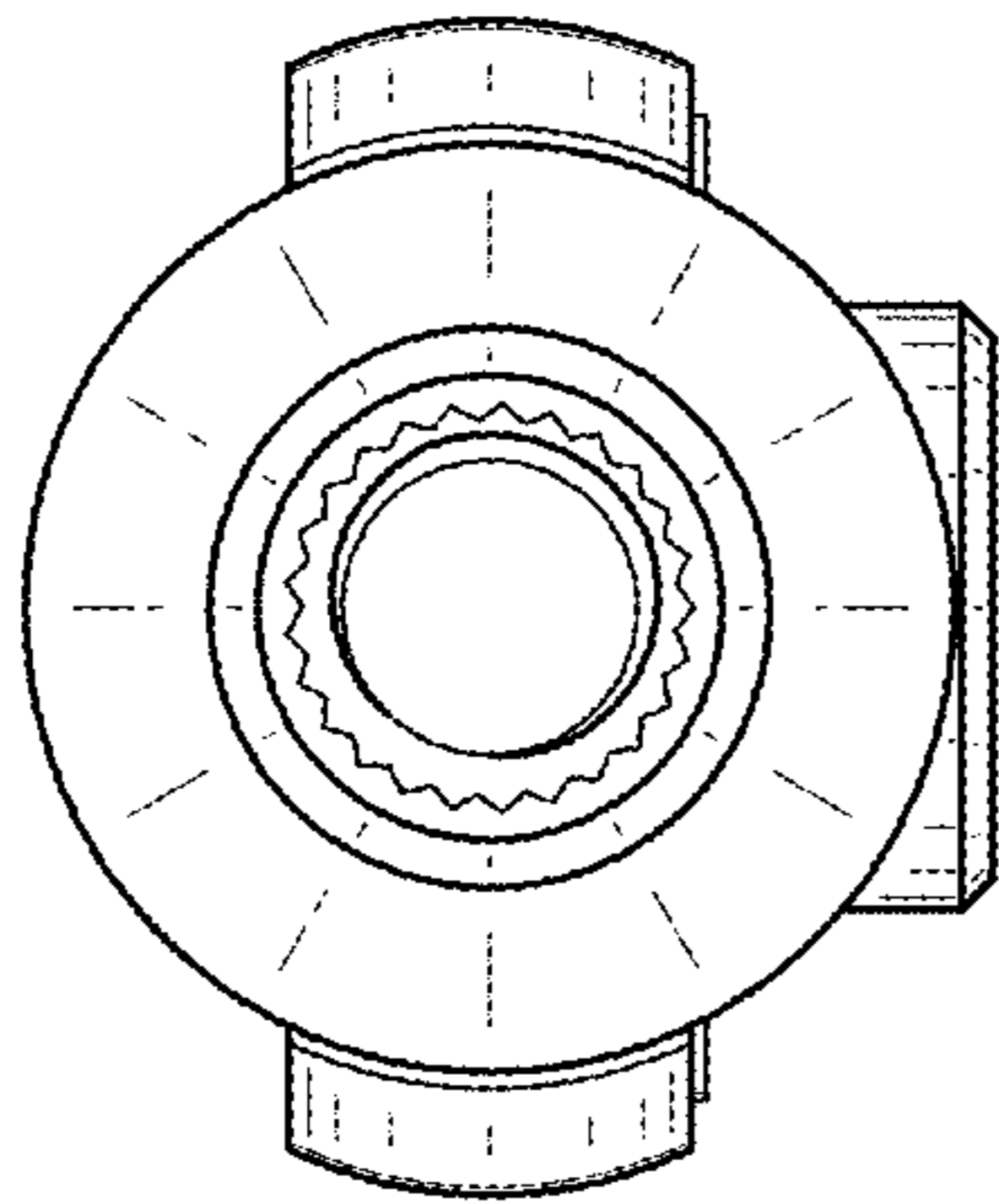


FIG. 7

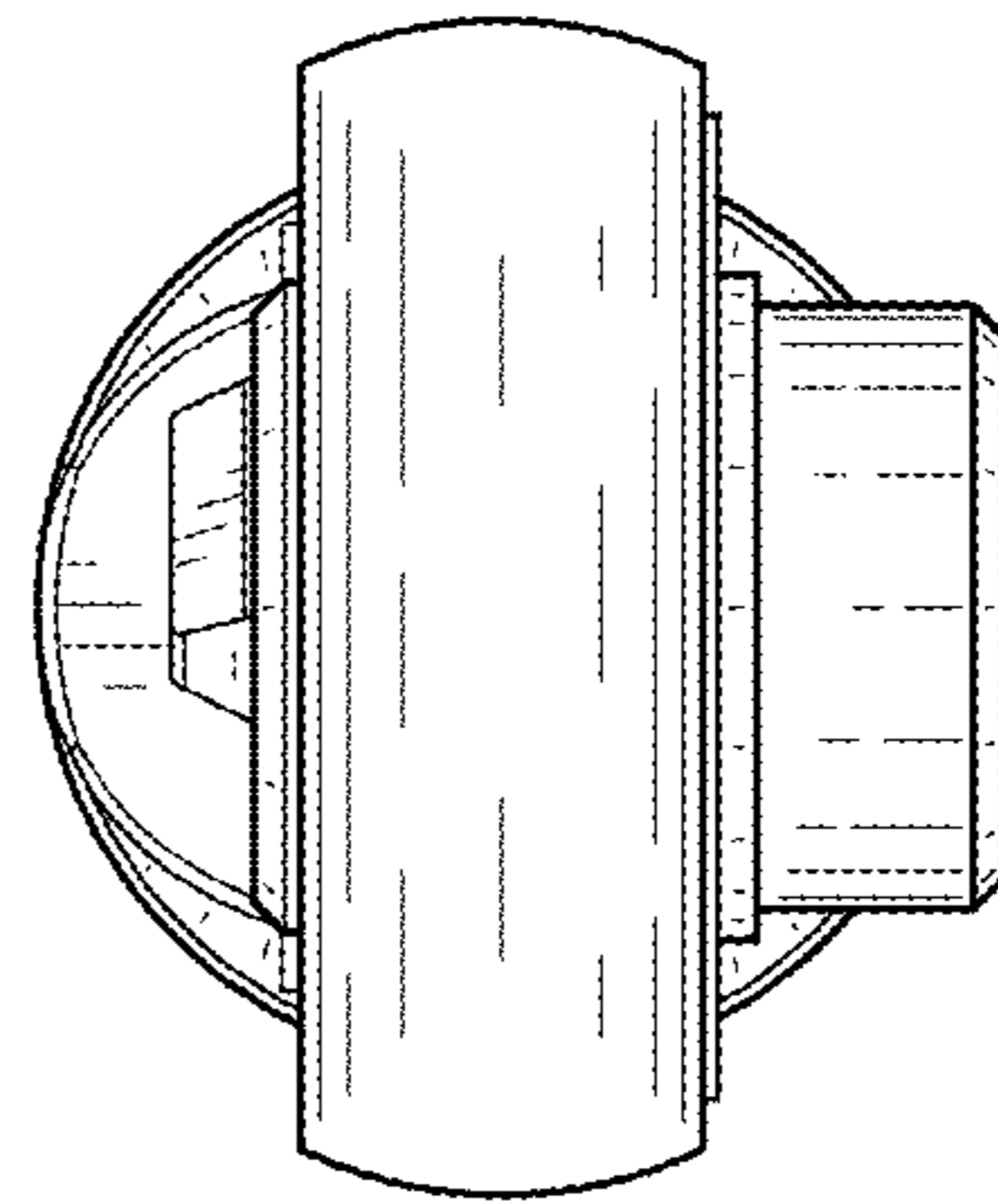


FIG. 8