



US00D873099S

(12) **United States Design Patent** (10) **Patent No.:** **US D873,099 S**
Kaye, Jr. et al. (45) **Date of Patent:** **** Jan. 21, 2020**

(54) **OSCILLATING SAW BLADE**

FOREIGN PATENT DOCUMENTS

(71) Applicant: **BLACK & DECKER, INC.**, New Britain, CT (US)

AU 2006305634 4/2007
CH 657411 A5 8/1986

(Continued)

(72) Inventors: **Thomas R. Kaye, Jr.**, Bel Air, MD (US); **James R. Niblett**, Columbia, MD (US)

OTHER PUBLICATIONS

(73) Assignee: **BLACK & DECKER INC.**, New Britain, CT (US)

Kornmeier, Martin—Search Report re European Patent Application No. 18200787.2-1016—dated Feb. 14, 2019—4 pages—Munich.

(Continued)

(**) Term: **15 Years**

Primary Examiner — Sandra S Snapp

(21) Appl. No.: **29/664,694**

Assistant Examiner — Ieisha N Price

(22) Filed: **Sep. 27, 2018**

(74) *Attorney, Agent, or Firm* — Scott B. Markow

Related U.S. Application Data

(60) Division of application No. 29/525,056, filed on Apr. 27, 2015, now Pat. No. Des. 832,666, which is a continuation of application No. 29/447,173, filed on Mar. 1, 2013, now abandoned, which is a continuation-in-part of application No. 13/385,614, filed on Jul. 16, 2012, now Pat. No. 9,073,195.

(57) **CLAIM**

The ornamental design for an oscillating saw blade, as shown and described.

(51) **LOC (12) Cl.** **08-03**

(52) **U.S. Cl.**
USPC **D8/20; D8/382**

DESCRIPTION

(58) **Field of Classification Search**
USPC D8/9, 16, 19, 20, 61, 64, 70, 382;
D15/127, 133, 138
CPC . B23B 31/10; B24B 23/04; B25F 3/00; B25F 5/00; B27B 5/29; B27B 5/30; B27B 19/006; A61B 17/14
See application file for complete search history.

FIG. 1 is a perspective view of an oscillating saw blade.
FIG. 2 is a left view of the oscillating saw blade of FIG. 1.
FIG. 3 is a right view of the oscillating saw blade of FIG. 1.
FIG. 4 is a front view of the oscillating saw blade of FIG. 1.
FIG. 5 is a rear view of the oscillating saw blade of FIG. 1.
FIG. 6 is a top view of the oscillating saw blade of FIG. 1; and,
FIG. 7 is a bottom view of the oscillating saw blade of FIG. 1.

(56) **References Cited**

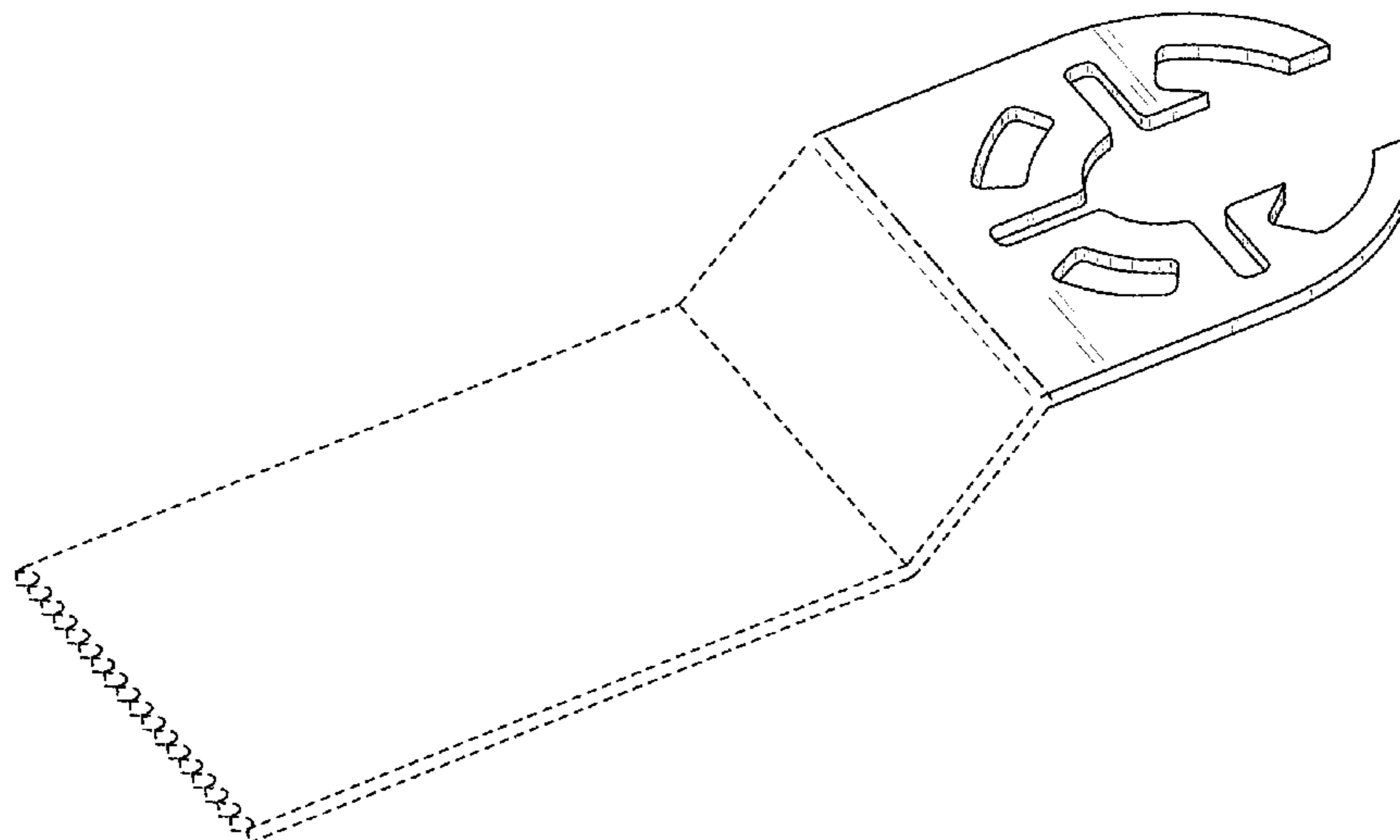
U.S. PATENT DOCUMENTS

694,597 A 3/1902 Wood
2,305,465 A 12/1942 Bangser
D137,633 S 4/1944 Jacobsen
2,682,184 A 6/1954 Szarkowski

The broken lines in the drawings illustrate portions of the oscillating saw blade and form no part of the claimed design.

(Continued)

1 Claim, 5 Drawing Sheets



(56)

References Cited

U.S. PATENT DOCUMENTS

2,693,365 A	11/1954	Zelewsky	D394,315 S	5/1998	Fisher
2,766,791 A	10/1956	Givens	5,785,571 A	7/1998	Camp
2,785,515 A	3/1957	Sansig	5,829,931 A	11/1998	Doumani
2,997,819 A	8/1961	Schact	5,839,196 A	11/1998	Trott
3,055,497 A	9/1962	Klonski	5,848,473 A	12/1998	Brandenburg, Jr.
3,436,875 A	4/1969	Cheney	D404,485 S	1/1999	Hutchins et al.
3,440,915 A	4/1969	Weyant	5,857,237 A	1/1999	Dranginis
3,554,197 A	1/1971	Dobbie	D405,177 S	2/1999	Hutchins et al.
3,656,393 A	4/1972	Goellner	D406,223 S	3/1999	Tran
3,706,474 A	12/1972	Neuenburg	5,957,469 A	9/1999	Miles et al.
3,905,374 A	9/1975	Winter	6,022,353 A	2/2000	Fletcher et al.
3,943,934 A	3/1976	Bent	6,073,939 A	6/2000	Steadings et al.
4,015,371 A	4/1977	Grayston	6,082,515 A	7/2000	Oono et al.
4,059,930 A	11/1977	Alessio	6,099,397 A	8/2000	Wurst
4,106,181 A	8/1978	Mattchen	6,116,996 A	9/2000	Yanase
4,112,541 A	9/1978	Tetradis	6,132,282 A	10/2000	Camp
4,252,121 A	2/1981	Arnegger	6,132,300 A	10/2000	Martin
4,253,776 A	3/1981	Orain	6,179,301 B1	1/2001	Steadings et al.
4,265,285 A	5/1981	Fodor	6,196,554 B1	3/2001	Gaddis et al.
4,386,609 A	6/1983	Mongeon	6,241,259 B1	6/2001	Gaddis et al.
4,393,626 A	7/1983	Schroer	6,340,022 B1	1/2002	Schroer
4,513,742 A	4/1985	Arnegger	D459,805 S	7/2002	Pascaloff
4,590,837 A	5/1986	Nanba	6,430,465 B2	8/2002	Cutler
4,597,227 A	7/1986	Gentischer et al.	6,434,835 B1	8/2002	Grunikiewicz et al.
4,599,077 A	7/1986	Vuillard	6,435,521 B2	8/2002	Steadings et al.
4,648,735 A	3/1987	Oddenino	D462,766 S	9/2002	Jacobs et al.
4,700,478 A	10/1987	Mezger et al.	6,488,287 B2	12/2002	Gaddis et al.
4,784,034 A	11/1988	Stones et al.	6,499,381 B2	12/2002	Ladish et al.
4,825,091 A	4/1989	Breyer et al.	6,503,253 B1	1/2003	Fletcher et al.
4,891,884 A	1/1990	Torbet	6,536,536 B1	3/2003	Gass et al.
4,980,976 A	1/1991	Junginger et al.	6,569,001 B2	5/2003	Rudolf et al.
4,989,374 A	2/1991	Rudolf et al.	6,629,484 B2	10/2003	Soyama et al.
5,022,188 A	6/1991	Borst	6,678,062 B2	1/2004	Haugen et al.
5,027,684 A	7/1991	Neukam	6,705,807 B1	3/2004	Rudolph et al.
5,038,478 A	8/1991	Mezger et al.	6,723,101 B2	4/2004	Fletcher et al.
5,064,325 A	11/1991	McRoskey	D489,823 S	5/2004	Fisher et al.
5,085,589 A	2/1992	Kan	6,747,745 B2	6/2004	Ishikawa et al.
5,107,737 A	4/1992	Tagliaferri	6,796,888 B2	9/2004	Jasch
5,122,142 A	6/1992	Pascaloff	6,802,764 B2	10/2004	Besch
5,157,873 A	10/1992	Rudolf et al.	6,832,764 B2	12/2004	Steadings et al.
5,199,223 A	4/1993	Rudolf et al.	6,834,730 B2	12/2004	Gass et al.
5,219,378 A	6/1993	Arnold	6,865,813 B2	3/2005	Pollak
5,235,719 A	8/1993	Wimberley	6,869,346 B2	3/2005	Wendt et al.
5,263,283 A	11/1993	Rudolf et al.	6,945,862 B2	9/2005	Jasch et al.
5,265,343 A	11/1993	Pascaloff	6,949,110 B2	9/2005	Ark et al.
5,269,784 A	12/1993	Mast	6,968,933 B2	11/2005	Buckhouse et al.
D343,247 S	1/1994	Walén	7,001,403 B2	2/2006	Hausmann et al.
5,303,688 A	4/1994	Chiuminatta et al.	7,015,445 B2	3/2006	Bishop
5,306,025 A	4/1994	Langhoff	7,077,735 B2	7/2006	Krondorfer et al.
5,306,285 A	4/1994	Miller et al.	7,093,668 B2	8/2006	Gass et al.
5,309,805 A	5/1994	Mezger et al.	7,107,691 B2	9/2006	Nottingham et al.
5,352,229 A	10/1994	Goble et al.	7,115,027 B2	10/2006	Thomaschewski
5,366,312 A	11/1994	Raines	7,121,358 B2	10/2006	Gass et al.
5,382,249 A	1/1995	Fletcher	7,128,503 B2	10/2006	Steadings et al.
5,423,825 A	6/1995	Levine	7,169,025 B2	1/2007	Schumacher
5,435,063 A	7/1995	Russo	7,175,625 B2	2/2007	Culbert
D360,946 S	8/1995	Goris	7,189,239 B2	3/2007	Fisher et al.
5,440,811 A	8/1995	Challis	7,207,873 B2	4/2007	Hesse et al.
D362,065 S	9/1995	Goris	7,217,177 B2	5/2007	Frech et al.
5,468,176 A	11/1995	Udert et al.	D544,007 S	6/2007	Marasco
5,468,247 A	11/1995	Matthai et al.	7,225,714 B2	6/2007	Rompel et al.
5,480,507 A	1/1996	Arnold	7,237,988 B2	7/2007	Steadings et al.
5,489,285 A	2/1996	Goris	7,258,351 B2	8/2007	Hoffmann et al.
5,496,316 A	3/1996	Goris	7,258,515 B2	8/2007	Krondorfer
D368,777 S	4/1996	Goble et al.	7,328,752 B2	2/2008	Gass et al.
5,507,763 A	4/1996	Petersen et al.	7,334,511 B2	2/2008	Hesselberg et al.
D374,286 S	10/1996	Goble et al.	D563,186 S	3/2008	Ahn
D374,287 S	10/1996	Goble et al.	7,344,435 B2	3/2008	Pollak et al.
D374,482 S	10/1996	Goble et al.	7,447,565 B2	11/2008	Cerwin
5,658,304 A	8/1997	Lim	7,478,979 B2	1/2009	Zhou et al.
5,676,680 A	10/1997	Lim	7,481,608 B2	1/2009	Zhou et al.
5,694,693 A	12/1997	Hutchins et al.	7,497,860 B2	3/2009	Carusillo et al.
5,702,415 A	12/1997	Matthai et al.	7,527,628 B2	5/2009	Fletcher et al.
5,729,904 A	3/1998	Trott	7,533,470 B2	5/2009	Nottingham et al.
5,735,866 A	4/1998	Adams et al.	7,537,065 B2	5/2009	Gallagher et al.
			7,540,334 B2	6/2009	Gass et al.
			7,690,871 B2	4/2010	Steadings et al.
			7,699,566 B2	4/2010	Nickels, Jr. et al.
			7,717,191 B2	5/2010	Trautner

(56)

References Cited

U.S. PATENT DOCUMENTS

7,717,192 B2	5/2010	Schroeder et al.	D817,129 S *	5/2018	Gopi	D8/20
7,726,917 B2	6/2010	Mack	10,040,215 B2 *	8/2018	Rubens	B23D 51/10
7,735,575 B2	6/2010	Trautner	D832,666 S *	11/2018	Kaye, Jr.	D8/20
7,746,448 B2	6/2010	Franitza et al.	D853,817 S *	7/2019	Ji	D8/70
D619,152 S	7/2010	Evatt et al.	2001/0041524 A1	11/2001	Steiger et al.	
7,753,381 B2	7/2010	Nickels, Jr. et al.	2002/0070037 A1	6/2002	Jasch	
7,762,349 B2	7/2010	Trautner et al.	2002/0104421 A1	8/2002	Wurst	
7,784,166 B2	8/2010	Tanner	2002/0116023 A1	8/2002	Fletcher et al.	
D623,034 S	9/2010	Evatt et al.	2002/0198556 A1	12/2002	Ark et al.	
7,798,245 B2	9/2010	Trautner	2003/0014067 A1	1/2003	Kullmer et al.	
7,833,241 B2	11/2010	Gant	2003/0032971 A1	2/2003	Hausmann et al.	
7,841,601 B2	11/2010	Mack	2004/0098000 A1	5/2004	Kleinwaechter	
7,854,274 B2	12/2010	Trautner et al.	2004/0138668 A1	7/2004	Fisher et al.	
D633,769 S	3/2011	Evatt et al.	2004/0204731 A1	10/2004	Gant	
D633,928 S	3/2011	Nilsson et al.	2004/0243136 A1	12/2004	Gupta et al.	
7,901,424 B2	3/2011	Fletcher et al.	2005/0178261 A1	8/2005	Thomaschewski	
7,950,152 B2	5/2011	Gallego	2005/0245935 A1	11/2005	Casey et al.	
7,976,253 B2	7/2011	Steadings et al.	2006/0150428 A1	7/2006	Baculy	
7,987,920 B2	8/2011	Schroeder et al.	2006/0172669 A1	8/2006	Hesse et al.	
7,997,586 B2	8/2011	Ziegler et al.	2006/0217048 A1	9/2006	Frech et al.	
D646,539 S	10/2011	Maras	2006/0272468 A1	12/2006	Gupta et al.	
D646,540 S	10/2011	Maras	2006/0282108 A1	12/2006	Tanner	
D646,542 S	10/2011	Wackwitz	2007/0060030 A1	3/2007	Pollak et al.	
8,038,156 B2	10/2011	Nickels, Jr. et al.	2007/0093190 A1	4/2007	Schomisch	
D648,762 S	11/2011	Mack	2007/0229853 A1	10/2007	Cheng	
8,047,100 B2	11/2011	King	2007/0266837 A1	11/2007	Nickels et al.	
D651,062 S	12/2011	Wackwitz	2007/0295156 A1	12/2007	Ziegler et al.	
8,070,168 B2	12/2011	Mack	2007/0295165 A1	12/2007	Tanaka et al.	
8,082,671 B2	12/2011	Saegesser	2008/0027449 A1	1/2008	Gundlapalli et al.	
D651,499 S	1/2012	Tong	2008/0190259 A1	8/2008	Bohne	
D651,874 S	1/2012	Davidian et al.	2008/0196911 A1	8/2008	Krapf et al.	
D651,875 S	1/2012	Davidian et al.	2009/0013540 A1	1/2009	Bohne	
D651,876 S	1/2012	Davidian et al.	2009/0023371 A1	1/2009	Blickle et al.	
D651,877 S	1/2012	Davidian et al.	2009/0051094 A1	2/2009	Sandmeier	
D651,878 S	1/2012	Davidian et al.	2009/0093815 A1	4/2009	Fletcher et al.	
D652,274 S	1/2012	Davidian et al.	2009/0138017 A1	5/2009	Carusillo et al.	
D653,523 S	2/2012	Wackwitz et al.	2009/0197514 A1	8/2009	Peisert	
8,109,343 B2	2/2012	Schroeder et al.	2009/0198465 A1	8/2009	Decker et al.	
8,113,520 B2	2/2012	Zaiser et al.	2009/0277022 A1	11/2009	Limberg et al.	
8,151,679 B2	4/2012	Bohne	2009/0312761 A1	12/2009	Boykin et al.	
D665,242 S	8/2012	Wackwitz	2009/0312762 A1	12/2009	Boykin	
D682,651 S	5/2013	McRoberts et al.	2009/0312779 A1	12/2009	Boykin et al.	
D682,652 S	5/2013	McRoberts et al.	2009/0318065 A1	12/2009	Zaiser et al.	
D693,193 S	11/2013	Bozic	2009/0320625 A1	12/2009	Kildevaeld	
D694,076 S *	11/2013	Davidian	2009/0321625 A1	12/2009	Sieradzki et al.	
D694,077 S	11/2013	Bozic	2010/0003906 A1	1/2010	Zaiser et al.	
D694,596 S	12/2013	Davidian et al.	2010/0009613 A1	1/2010	Frueh	
D694,597 S	12/2013	Davidian et al.	2010/0052269 A1	3/2010	Zaiser et al.	
D694,598 S	12/2013	Davidian et al.	2010/0056029 A1	3/2010	Grunikiewicz	
D697,384 S *	1/2014	Wackwitz	2010/0193207 A1	8/2010	Mok et al.	
D706,595 S	6/2014	Kaye et al.	2010/0197208 A1	8/2010	Blickle et al.	
8,915,499 B2	12/2014	Kaye et al.	2010/0288099 A1	11/2010	Steiger	
8,925,931 B2	1/2015	Sergyenko et al.	2010/0300714 A1	12/2010	Trautner	
8,936,597 B2 *	1/2015	Wang	2010/0300714 A1	12/2010	Trautner	
			2011/0000690 A1	1/2011	Kildevaeld	
			2011/0011605 A1	1/2011	Kildevaeld	
			2011/0067894 A1	3/2011	Bernardi	
			2011/0072946 A1	3/2011	Bernardi et al.	
			2011/0086582 A1	4/2011	Takemura et al.	
			2011/0097978 A1	4/2011	Hofmann et al.	
			2011/0127731 A1	6/2011	Woecht et al.	
			2011/0139472 A1	6/2011	Bohne	
			2011/0147023 A1	6/2011	Herr	
			2011/0227300 A1	9/2011	Zhang et al.	
			2011/0266757 A1	11/2011	Steadings et al.	
			2011/0266758 A1	11/2011	Sergyeyenko et al.	
			2011/0266759 A1	11/2011	Goldman	
			2011/0316241 A1	11/2011	Zhang et al.	
			2011/0291368 A1	12/2011	Chen et al.	
			2011/0309589 A1	12/2011	Maras	
			2011/0315414 A1	12/2011	Kuntner et al.	
			2011/0316242 A1	12/2011	Zhang et al.	
			2012/0025476 A1	2/2012	Nickels, Jr. et al.	
			2012/0031636 A1	2/2012	King	
			2012/0073410 A1	3/2012	Hoffman et al.	
			2012/0090863 A1	4/2012	Puzio et al.	
			2012/0144971 A1	6/2012	Bohne	
			2012/0169018 A1	7/2012	Lu et al.	
			2013/0104719 A1	5/2013	Rubens et al.	
			2013/0193655 A1	8/2013	Kaye et al.	
D724,923 S *	3/2015	McRoberts				D8/20
9,067,293 B2	6/2015	Bernardi et al.				
D734,649 S	7/2015	Wackwitz				
9,073,195 B2	7/2015	Kaye, Jr. et al.				
D741,135 S *	10/2015	Yang				D15/140
D741,136 S *	10/2015	Yang				D15/140
D741,137 S *	10/2015	Yang				D8/70
9,186,770 B2	11/2015	Montplaisir et al.				
D746,655 S	1/2016	Wackwitz				
9,242,361 B2	1/2016	Kaye, Jr. et al.				
D750,461 S *	3/2016	McRoberts				D8/70
9,346,183 B2	5/2016	Fanhauser et al.				
9,486,887 B2	11/2016	Fankhauser et al.				
D789,759 S	6/2017	Fellmann et al.				
9,815,187 B2 *	11/2017	Kozak				B25F 3/00
D807,719 S *	1/2018	Gopi				D8/20
D813,624 S *	3/2018	Gopi				D8/20
D814,900 S	4/2018	Kaye, Jr. et al.				
D817,127 S *	5/2018	Gopi				D8/20
D817,128 S *	5/2018	Gopi				D8/20

(56)

References Cited

U.S. PATENT DOCUMENTS

2014/0015207 A1* 1/2014 Kaye, Jr. B25F 3/00
279/143
2014/0035242 A1 2/2014 Kaye et al.
2014/0182873 A1 7/2014 Fankhauser et al.
2014/0252729 A1 9/2014 Xu
2014/0299345 A1 10/2014 McRoberts et al.
2014/0325855 A1 11/2014 Bozic
2014/0345148 A1* 11/2014 Kaye, Jr. B26D 1/0006
30/356
2015/0266102 A1* 9/2015 Kozak B25F 3/00
279/143
2016/0184956 A1 6/2016 Klabunde et al.
2016/0199919 A1 7/2016 Klabunde et al.
2016/0288288 A1 10/2016 Klabunde et al.
2017/0129126 A1* 5/2017 Rubens B23D 51/10
2017/0182570 A1* 6/2017 Dvorak B23D 51/00
2017/0291238 A1* 10/2017 Bernardi B23D 61/006
2018/0029190 A1* 2/2018 Nagy B24B 23/04
2018/0117687 A1* 5/2018 Rubens B23D 51/10

FOREIGN PATENT DOCUMENTS

CN 201728642 2/2011
CN 201824333 U 5/2011
DE 2915292 A1 10/1980
DE 2935731 A1 4/1981
DE 3203670 A1 8/1983
DE 3833735 A1 4/1989
DE 8618695 U1 9/1989
DE 4036904 C1 5/1992
DE 4209146 A1 9/1992
DE 4209146 A1 9/1992
DE 29605728 U1 10/1996
DE 298607061 U1 10/1996
DE 29810157 U1 8/1998
DE 19736933 C1 10/1998
DE 29907671 U1 8/1999
DE 29809788 U1 9/1999
DE 19825408 A1 12/1999
DE 20303018 U1 4/2003
DE 10231393 1/2004
DE 10307840 B3 6/2004
DE 10325392 A1 12/2004
DE 102004020982 A1 11/2005
DE 202006001643 U1 3/2006
DE 102004050799 A1 4/2006
DE 102007018465 A1 10/2008
DE 102007018467 A1 10/2008
DE 202009004549 U1 6/2009
DE 202008001759 U1 7/2009
DE 102008001234 A1 10/2009
DE 202009013147 U1 1/2010
DE 202008011959 U1 2/2010
DE 102009030854 A1 1/2011
DE 202011050164 U1 10/2011
DE 202011051408 U1 2/2012
DE 202011051408 U1 2/2012
DE 102011085561 A1 12/2012
DE 102012201624 A1 8/2013
EP 0443362 A2 8/1991
EP 0554929 A1 8/1993
EP 0695607 A1 2/1996
EP 0776634 A2 6/1997
EP 0962283 A1 12/1999
EP 1694477 A1 6/2005
EP 1687120 A1 8/2006

EP 1819490 A1 8/2007
EP 1852218 A1 11/2007
EP 1882538 A2 1/2008
EP 2085182 A1 8/2009
EP 2143531 A1 1/2010
EP 2152475 A1 2/2010
EP 2159000 A1 3/2010
EP 2382929 A1 11/2011
JP 1158205 A 6/1989
JP 2006263914 A 10/2006
WO WO-9424945 A1 11/1994
WO WO-03097299 A1 11/2003
WO WO-2004043269 A1 5/2004
WO WO-2005056256 A1 6/2005
WO WO-2006017066 A2 2/2006
WO WO-2008151866 A1 12/2008
WO WO-2009151958 A2 12/2009
WO WO-2009151959 A1 12/2009
WO WO-2009151965 A1 12/2009
WO WO-2010020458 A1 2/2010
WO WO-2013067960 A1 5/2013

OTHER PUBLICATIONS

Kornmeier, Martin—Search Report re European Patent Application No. 18200791.4-1016—dated Feb. 14, 2019—4 pages—Munich.
Kornmeier, Martin—Search Report re European Patent Application Application No. 18200668.4-1016—dated Feb. 14, 2019—4 pages—Munich.
Kornmeier, Martin—Communication Pursuant to Article 94(3) EPC re European Patent Application No. 18200787.2-1016—dated Mar. 13, 2019—6 pages—Munich.
Kornmeier, Martin—Communication Pursuant to Article 94(3) EPC re European Patent Application No. 18200668.4-1016—dated Mar. 13, 2019—6 pages—Munich.
Zimmer Inc., Brochure “Air Drive Blades—The Next Generation” dated Jun. 28, 1993, 1 page; © 1993 Zimmer, Inc.
Materials from Stryker Corporation Brochure published prior to Jan. 1, 1994.
Aloe Medical Instruments “Gall Ball Retractor” Item B-1323, p. 115 © 1965.
Stryker Maintenance Manual entitled “System II OrthoPower 90 Battery Powered Surgical Instruments”—For Use With: 298-92, 94,96, 98 (Stryker Surgical Brochure 298-92-16 Rev (Mar. 1986). Sketch A related to p. 9 of the Stryker Maintenance Manual entitled “System II OrthoPower 90 Battery Powered Surgical Instruments” (Mar. 1986).
Copies of pp. 2, 3 and 5 of Stryker prior art brochure/-catalog No. 1420 Standard Bone Saw Handpiece, 1100 Series saw blades, and No. 1470 Sagittal Plane bone saw with Series 1370 blades.
Hall Surgical brochure—New Opposed-Tooth Blades—published prior to Jan. 1, 1994.
Dremel 6300-05 120-volt Multi-Max Oscillating Kit (retrieved on Sep. 30, 2014) viewed on the internet. <https://web.archive.org/web/20091224220316/http://www.amazon.com/Dremel-6300-05-120-Volt-Multi-Max-Oscillating/dp/B002WTCDXO> published on Dec. 24, 2009 as per Wayback Machine.
O’Connell, Wayne—Patent Examination Report No. 3 re Australian Patent Application No. 2011201633—dated Oct. 2, 2014—6 pages—Woden ACT, Canberra, Australia.
Dewaele, Karl—Examination Report re: European Patent Appln. No. 15160839.5-1701 dated Nov. 9, 2016—6 pages.
Kornmeier, Martin—Extended European Search Report re European Patent Appln. No. 13163355.4—dated Nov. 27, 2017—5 pages—Munich.

* cited by examiner

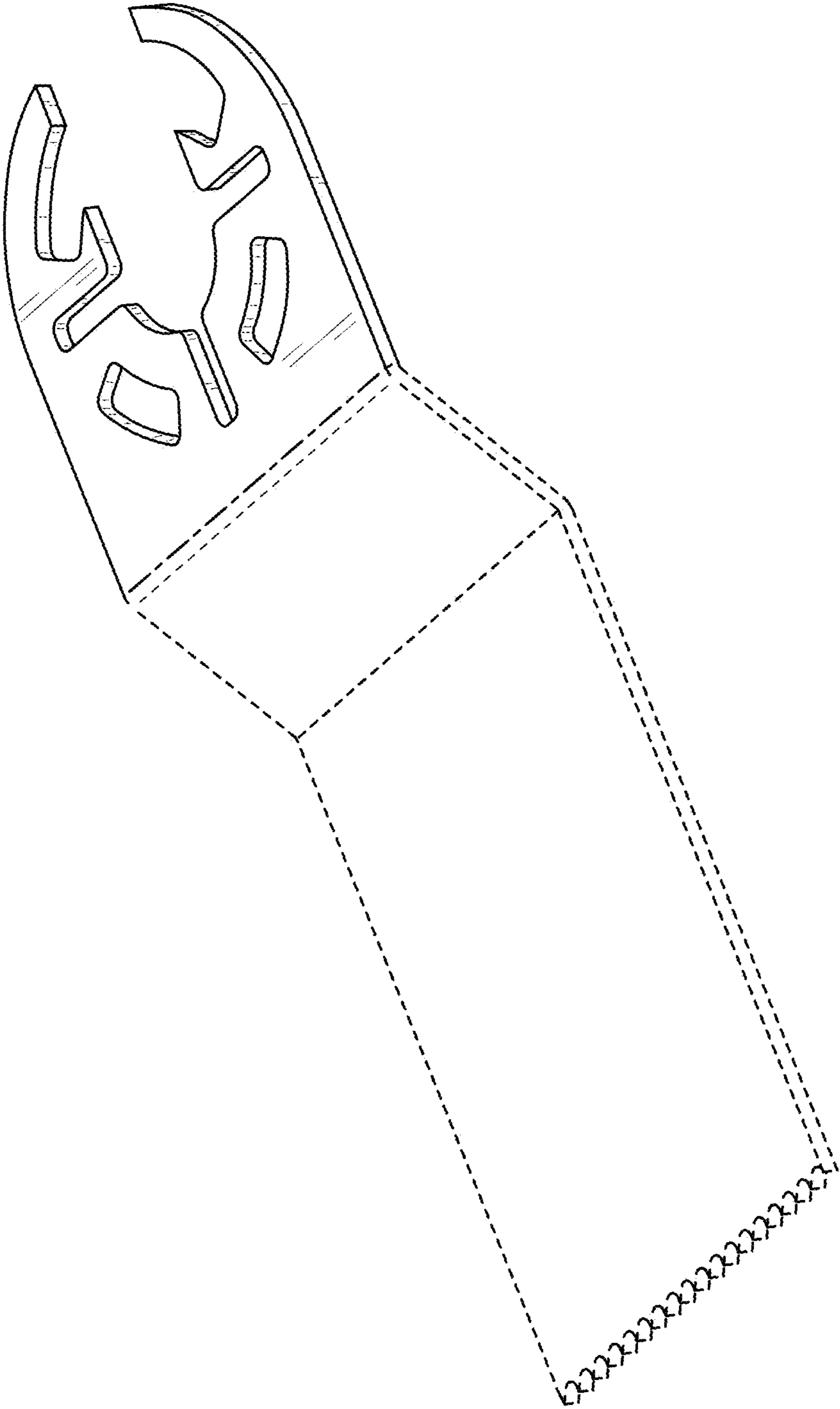


FIG. 1



FIG. 2

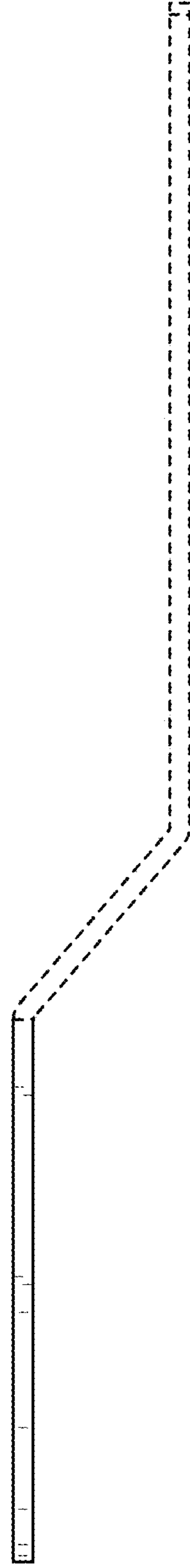


FIG. 3

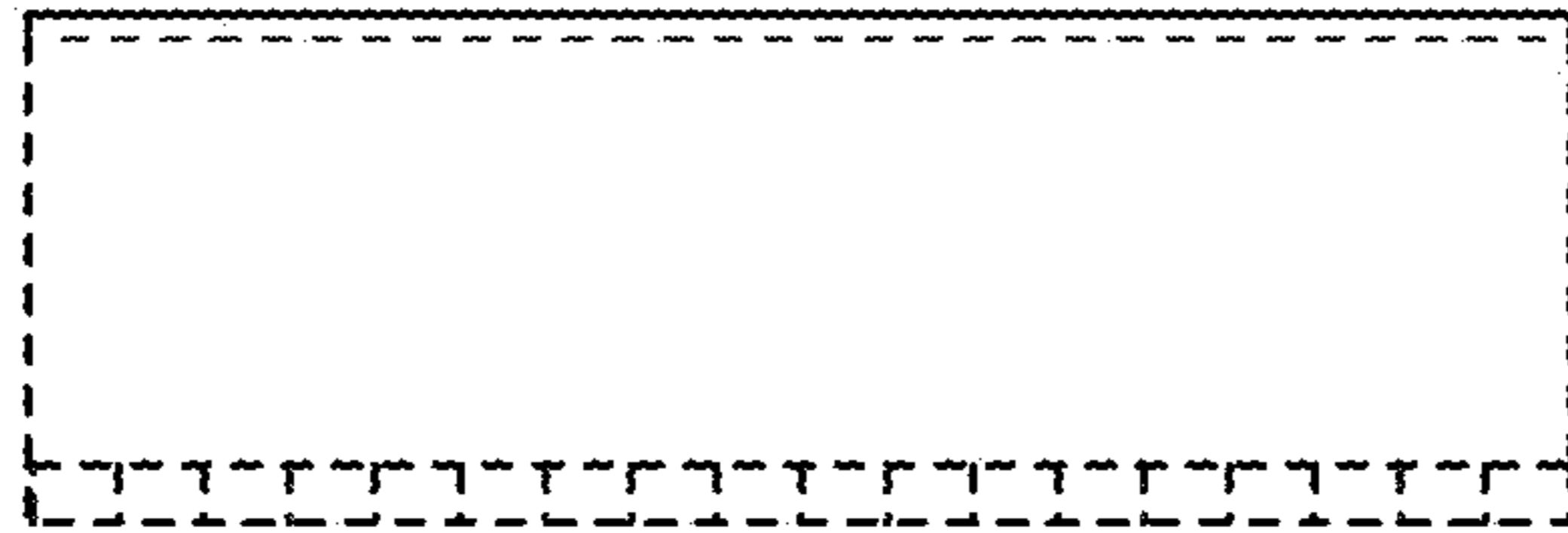


FIG. 4

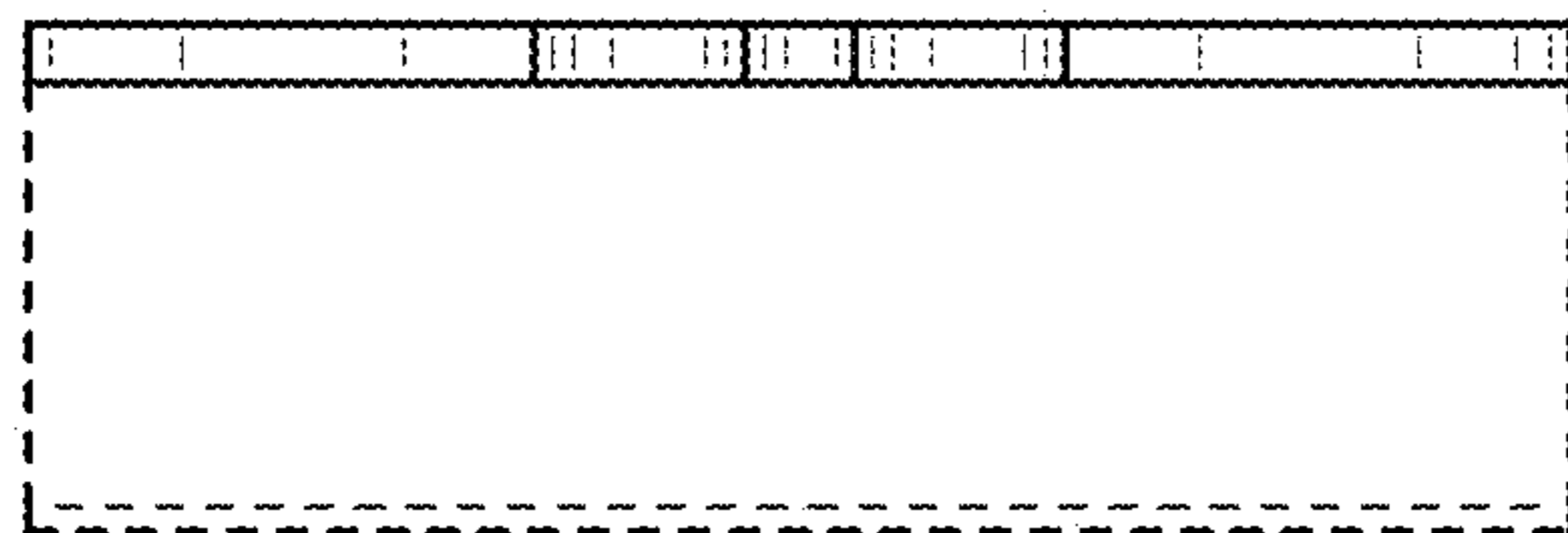


FIG. 5



FIG. 6

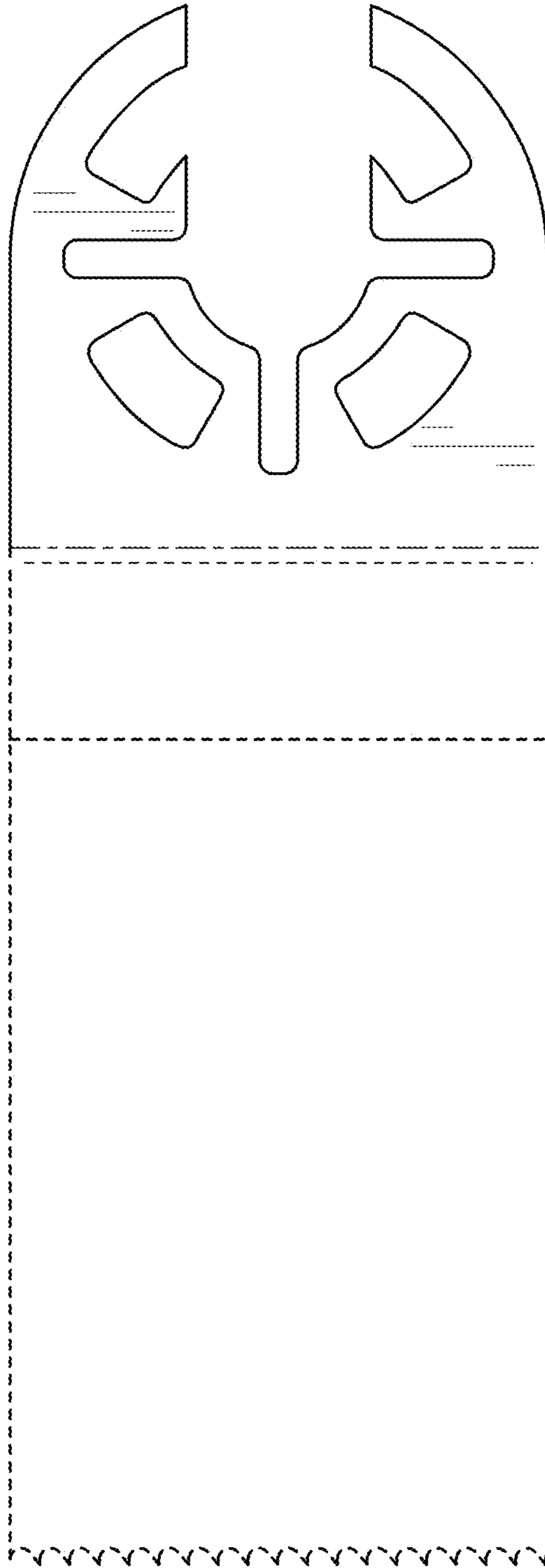


FIG. 7