



US00D873098S

(12) **United States Design Patent**
Parenteau et al.

(10) **Patent No.:** **US D873,098 S**
(45) **Date of Patent:** **** Jan. 21, 2020**

(54) **LEAF RAKE**
(71) Applicant: **GARANT GP**, Saint-François (CA)
(72) Inventors: **François Parenteau**, Québec (CA);
Marie-Claude Guay, Lac Beauport (CA); **David Boies**, Lévis (CA);
Mathieu Berrouard, Lévis (CA)
(73) Assignee: **GARANT GP**, Saint-Francois (CA)
(**) Term: **15 Years**

6,315,488 B1 * 11/2001 Parker A01B 1/227
403/329
D505,304 S * 5/2005 Conaway D8/13
D577,967 S * 10/2008 Norton D8/13
D715,118 S * 10/2014 Wofford D8/13
D769,681 S * 10/2016 Stein D8/13
D775,908 S * 1/2017 Boies D8/13
2006/0196162 A1 * 9/2006 Iaizzo A01D 7/00
56/400.12
2010/0218476 A1 * 9/2010 Gosselin A01D 7/10
56/400.16
2015/0020493 A1 * 1/2015 Stein A01D 7/06
56/400.16
2017/0043473 A1 * 2/2017 Mazzocco B25G 1/04

(21) Appl. No.: **29/649,467**
(22) Filed: **May 30, 2018**
(51) **LOC (12) Cl.** **08-01**
(52) **U.S. Cl.**
USPC **D8/13**
(58) **Field of Classification Search**
USPC D8/1, 6, 13; D21/532; D32/50
CPC ... A01D 7/00; A01D 7/02; A01D 7/04; A01D
7/06; A01D 7/08
See application file for complete search history.

FOREIGN PATENT DOCUMENTS

CA D158847 4/2015

* cited by examiner

Primary Examiner — Sandra S Snapp
Assistant Examiner — Ieisha N Price
(74) *Attorney, Agent, or Firm* — Lavery, De Billy, LLP;
Gwendoline Bruneau

(57) **CLAIM**

The ornamental design for a leaf rake, as shown and described.

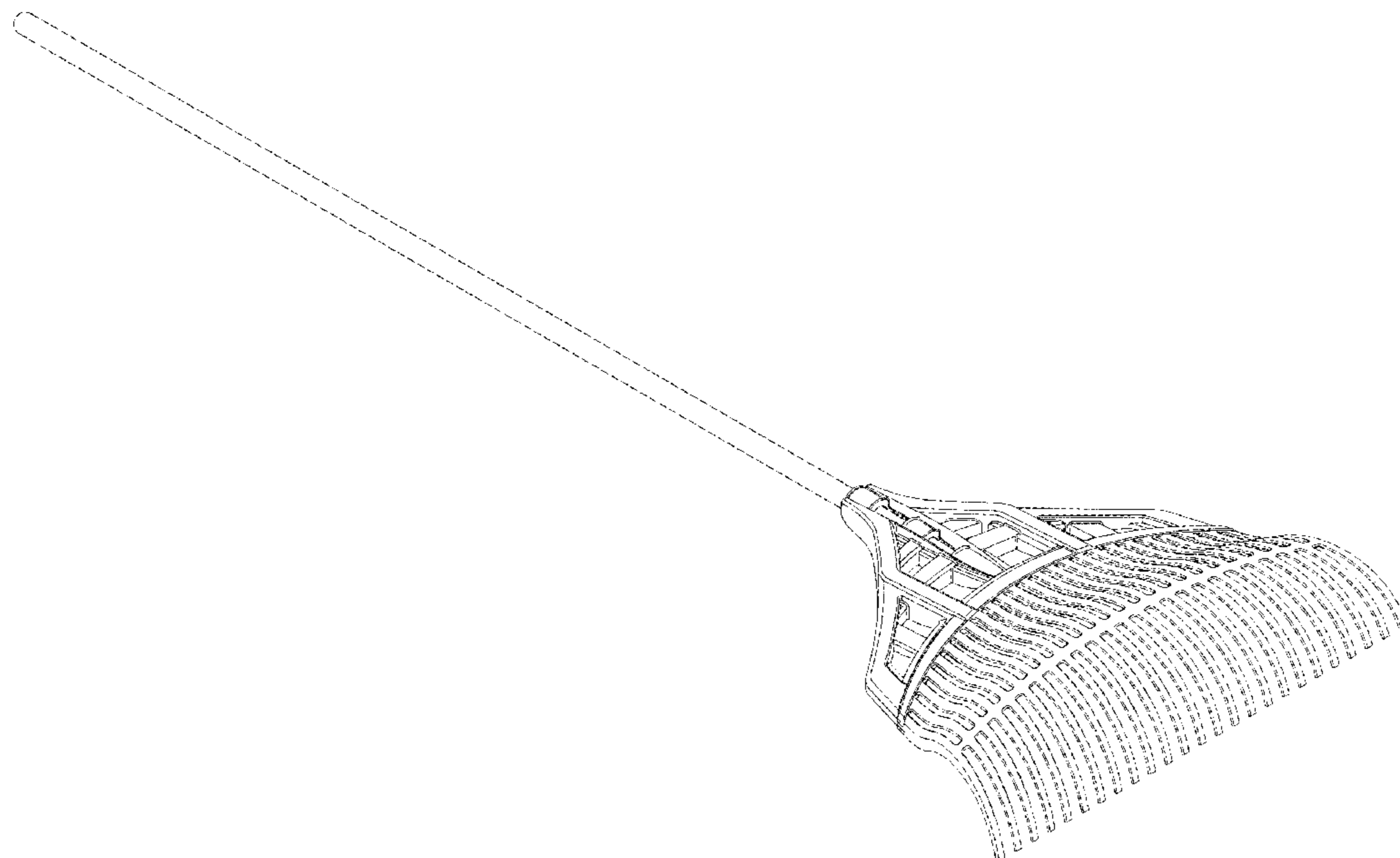
(56) **References Cited**
U.S. PATENT DOCUMENTS

D293,196 S * 12/1987 Germain D8/13
4,744,208 A * 5/1988 King A01D 7/00
56/400.16
D298,907 S * 12/1988 Bonnes D8/13
4,831,815 A * 5/1989 Bonnes A01D 7/06
56/400.17
4,848,073 A * 7/1989 Germain A01D 7/06
56/400.17
5,033,261 A * 7/1991 Bonnes A01D 7/06
56/400.17
5,177,947 A * 1/1993 Sun A01D 7/06
56/400.17

DESCRIPTION

FIG. 1 is perspective view of the new design;
FIG. 2 is a front view thereof
FIG. 3 is a first side view thereof;
FIG. 4 is a second side view thereof;
FIG. 5 is a back side view thereof;
FIG. 6 is a top view thereof; and,
FIG. 7 is a bottom view thereof.
The broken lines shown in FIGS. 1-7 illustrate portions of the leaf rake that form no part of the claimed design.

1 Claim, 5 Drawing Sheets



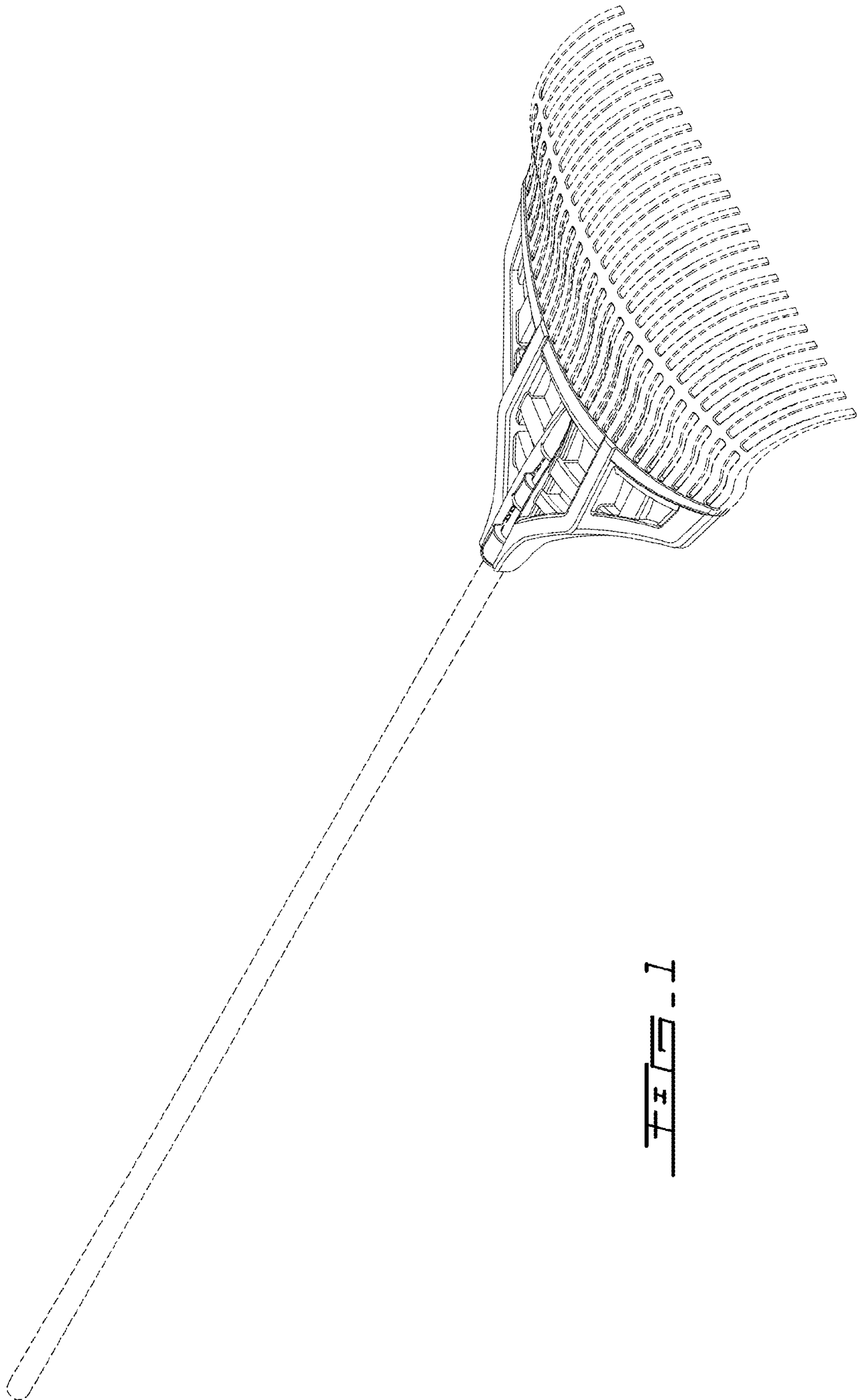


FIG. 1

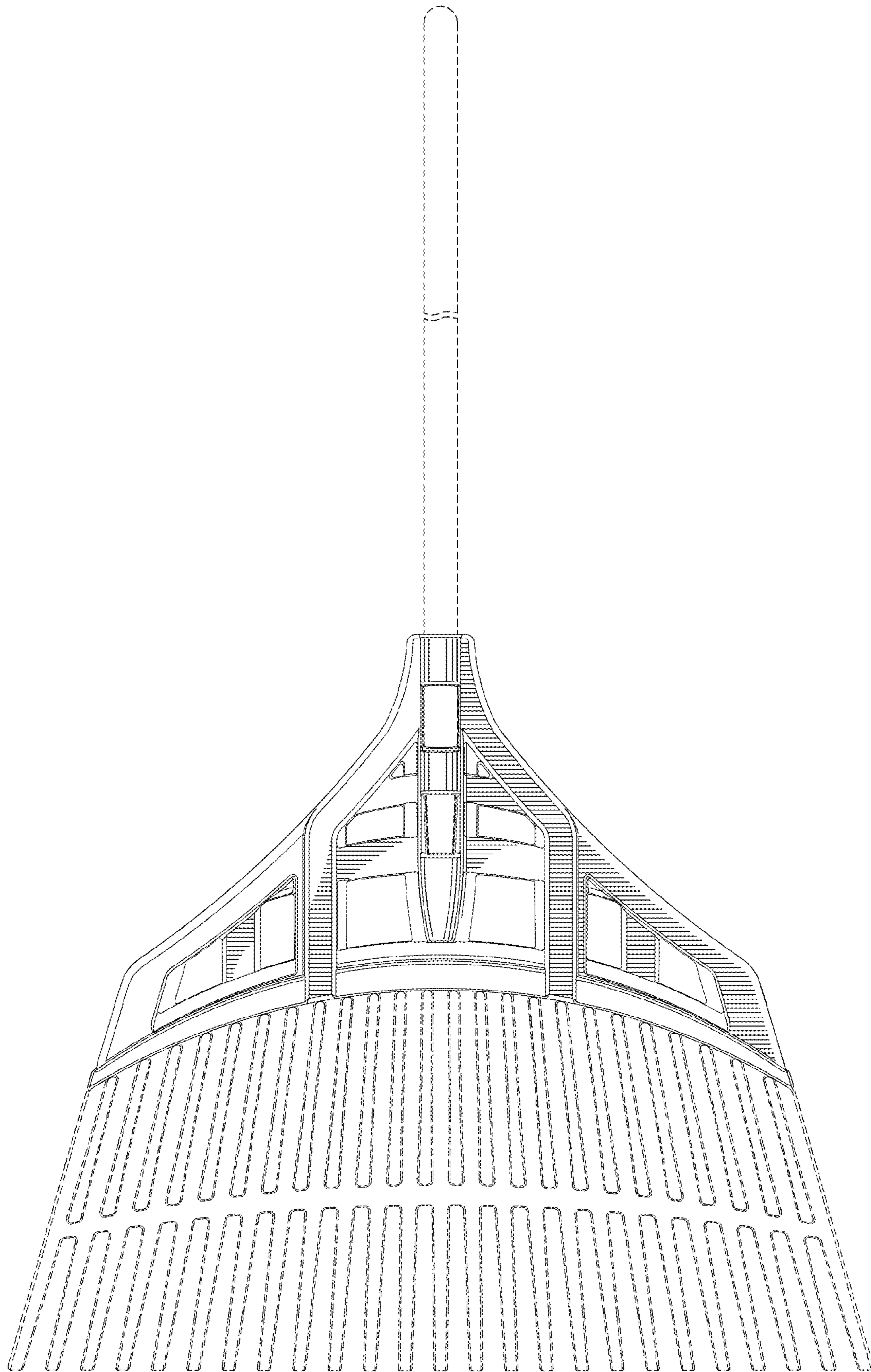


FIG. 2

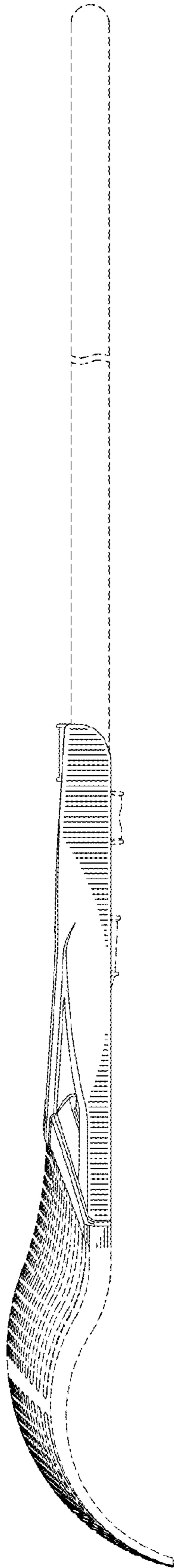


FIG. 3

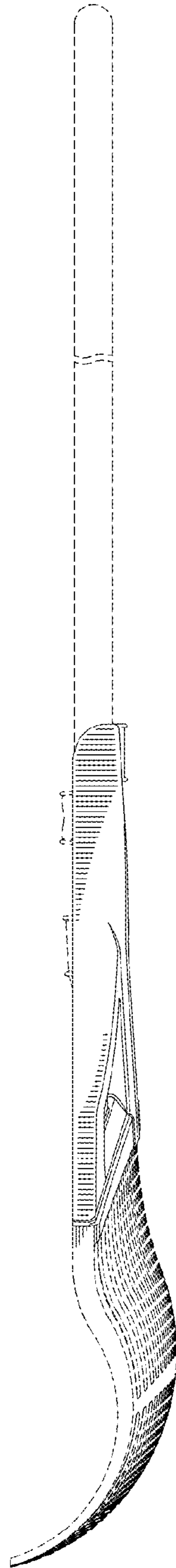


FIG. 4

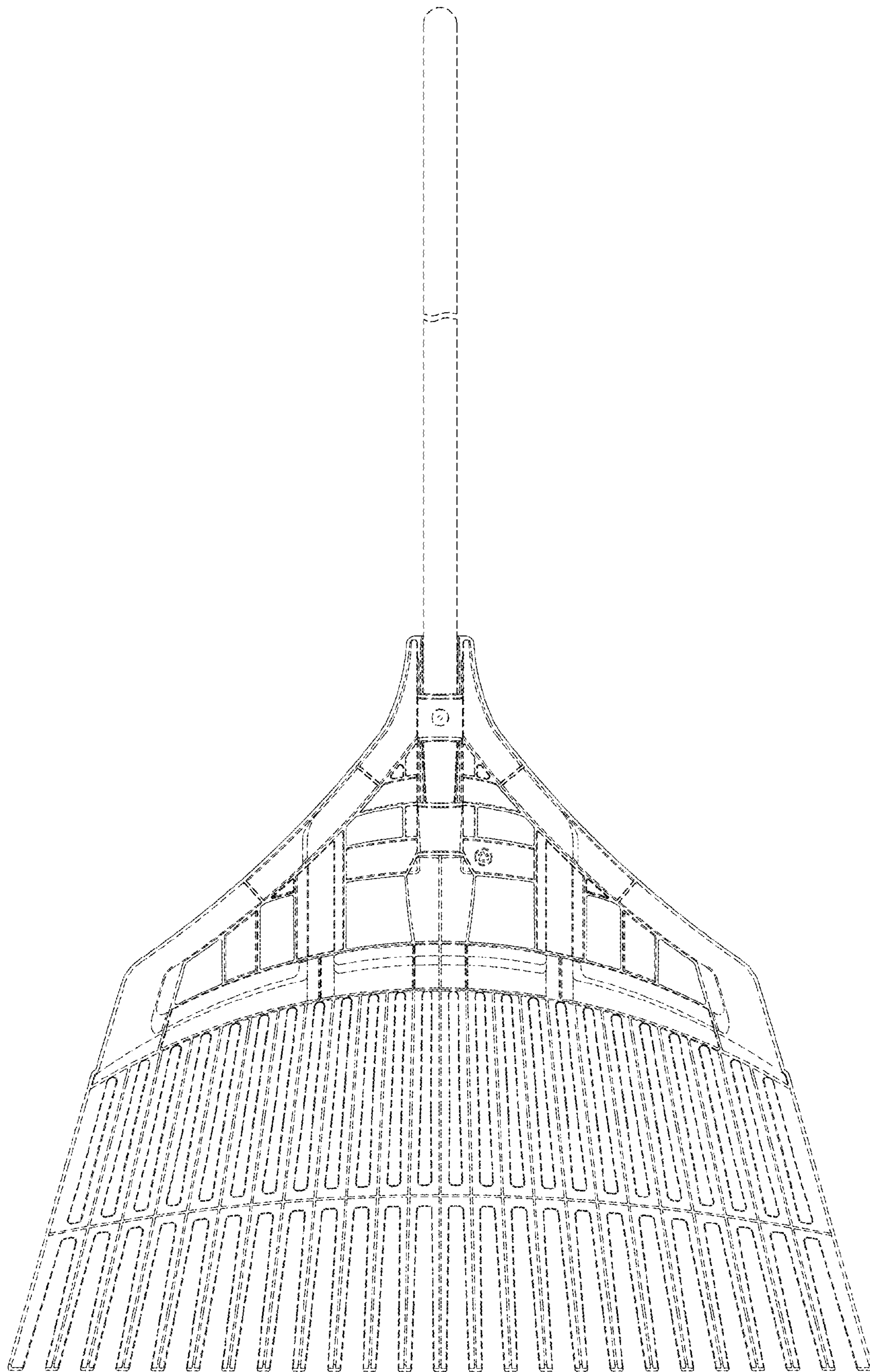


FIG. 5

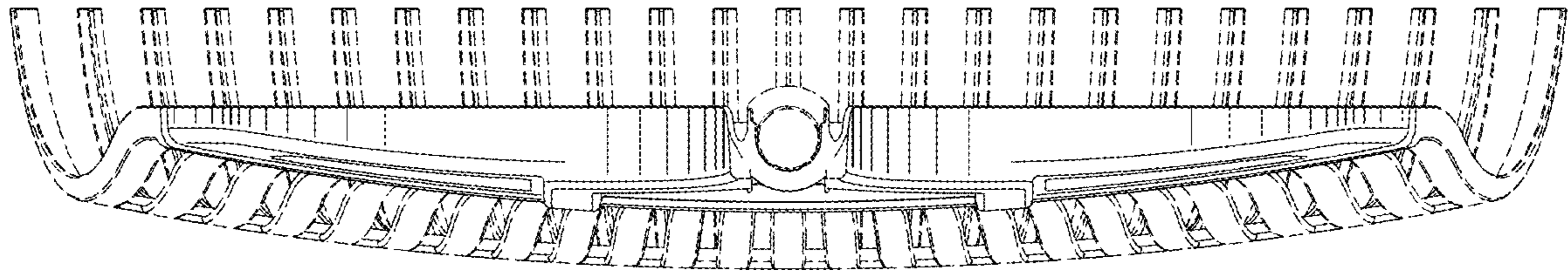


FIG. 6

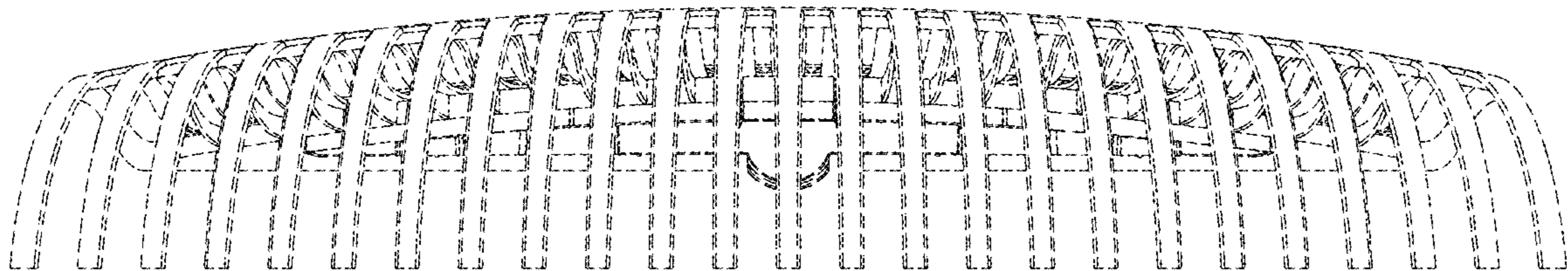


FIG. 7