

US00D873095S

(12) **United States Design Patent**
Hutzler et al.

(10) **Patent No.:** **US D873,095 S**
(45) **Date of Patent:** **** Jan. 21, 2020**

(54) **FOOD STORAGE BOX**

(71) Applicant: **Hutzler Manufacturing Co., Inc.**,
Canaan, CT (US)

(72) Inventors: **Lawrence Richard Hutzler**, Lakeville,
CT (US); **Richard Scott Ehrenhaus**,
White Plains, NY (US)

(73) Assignee: **Hutzler Manufacturing Co., Inc.**,
Canaan, CT (US)

(**) Term: **15 Years**

(21) Appl. No.: **29/661,990**

(22) Filed: **Aug. 31, 2018**

(51) **LOC (12) Cl.** **07-04**

(52) **U.S. Cl.**
USPC **D7/667; D7/629**

(58) **Field of Classification Search**
USPC **D7/666, 667, 629, 630, 538-542;**
D9/425-532
CPC **B65D 43/0218; B65D 1/22; A47J 47/10;**
A47J 43/286; A47J 43/24; A47J 43/28;
A47J 36/20; A47J 36/22; A23G 3/26
See application file for complete search history.

(56) **References Cited**

U.S. PATENT DOCUMENTS

- 6,367,409 B1 * 4/2002 Broom A23G 3/26
118/13
- D507,939 S * 8/2005 Mitchell, Jr. D7/629
- 6,949,190 B2 9/2005 Hutzler
- D584,112 S * 1/2009 Ehrenhaus D7/667

(Continued)

Primary Examiner — Terry A Wallace

(74) *Attorney, Agent, or Firm* — Patent Technologies,
LLC; Robert D. Gunderman, Jr.

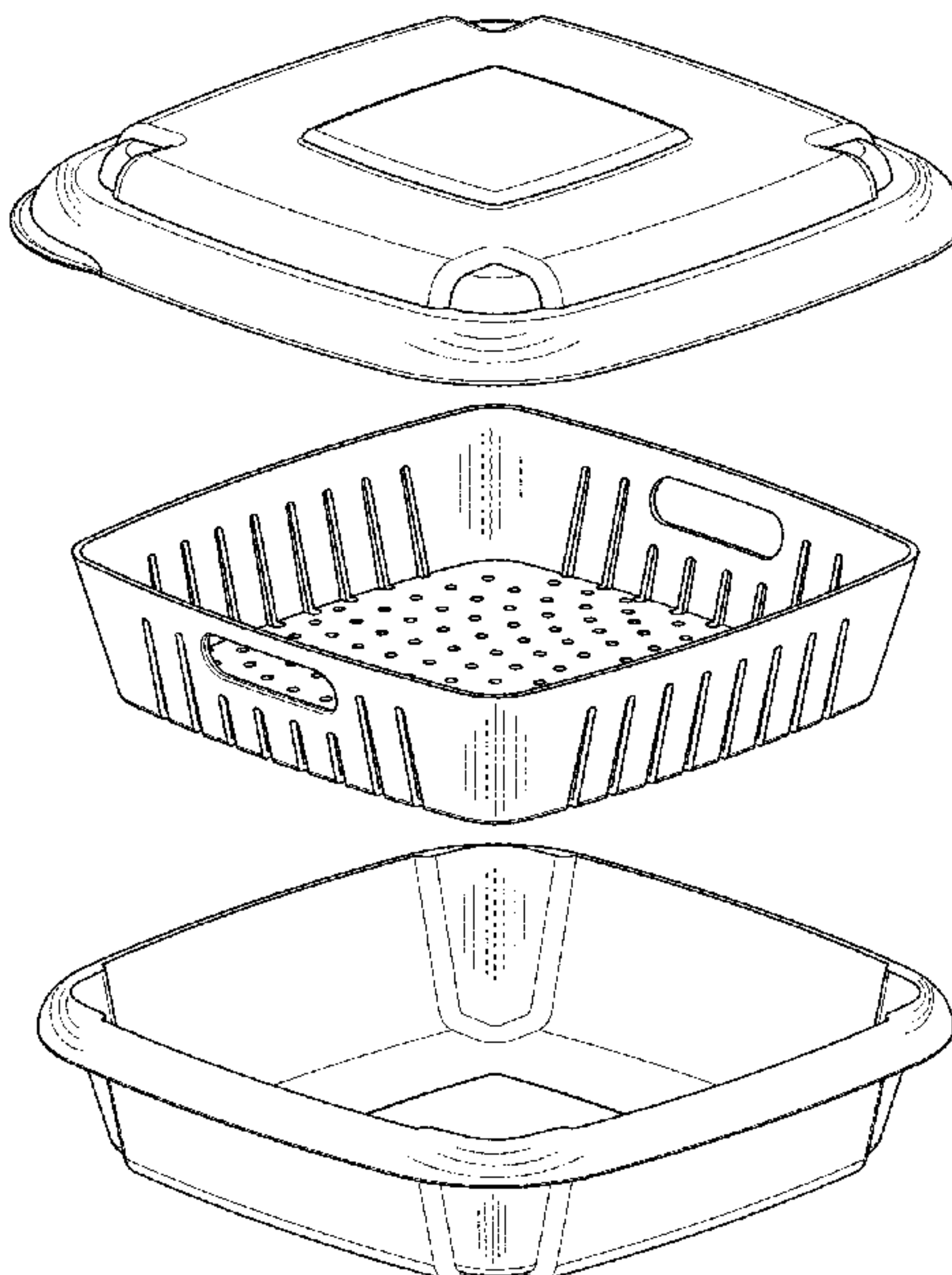
(57) **CLAIM**

The ornamental design for a food storage box, as shown and described.

DESCRIPTION

FIG. 1 is a perspective view of our new design in an open position;
 FIG. 2 is a perspective view of our new design in a closed position;
 FIG. 3 is a top perspective exploded view of our new design;
 FIG. 4 is a bottom perspective exploded view of our new design;
 FIG. 5 is a top plan view of the box section shown separately for clarity of illustration;
 FIG. 6 is a bottom plan view of the box section of FIG. 5;
 FIG. 7 is a side plan view of the box section of FIG. 5 where all four sides are substantially the same;
 FIG. 8 is a top plan view of the strainer section shown separately for clarity of illustration;
 FIG. 9 is a bottom plan view of the strainer section of FIG. 8;
 FIG. 10 is a side plan view of the strainer section of FIG. 8 where the opposing side is substantially the same as shown;
 FIG. 11 is an adjacent side plan view of the strainer section of FIG. 8 where the opposing side is substantially the same as shown;
 FIG. 12 is a top plan view of the lid section shown separately for clarity of illustration;
 FIG. 13 is a bottom plan view of the lid section of FIG. 12;
 FIG. 14 is a first side plan view of the lid section of FIG. 12;
 FIG. 15 is second side plan view of the lid section of FIG. 12;
 FIG. 16 is a third side plan view of the lid section of FIG. 12; and,
 FIG. 17 is a fourth side plan view of the lid section of FIG. 12.

1 Claim, 13 Drawing Sheets



(56)

References Cited

U.S. PATENT DOCUMENTS

D641,217 S * 7/2011 Chen D7/667
D653,917 S 2/2012 Ehrenhaus

* cited by examiner

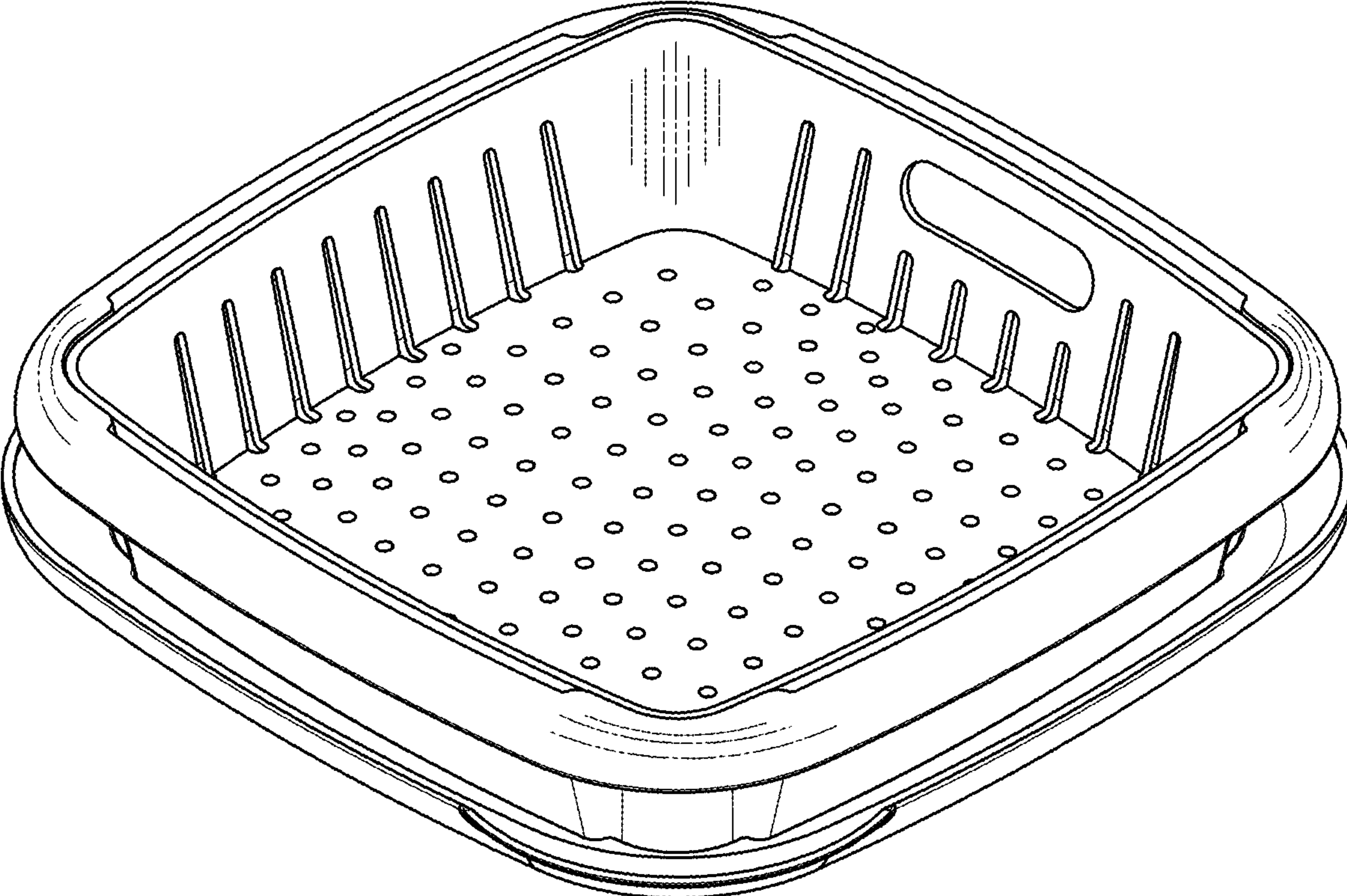


Fig. 1

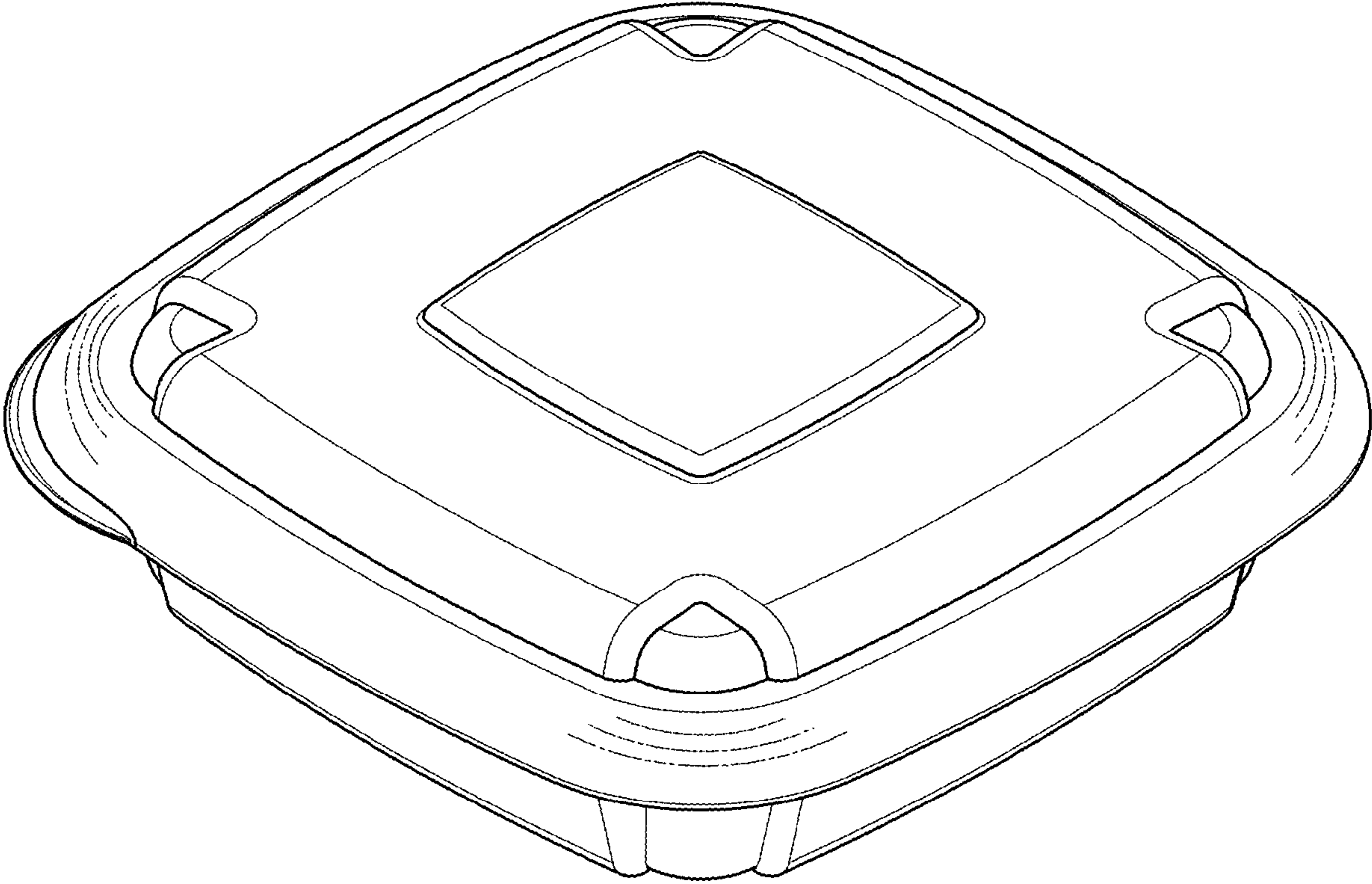


Fig. 2

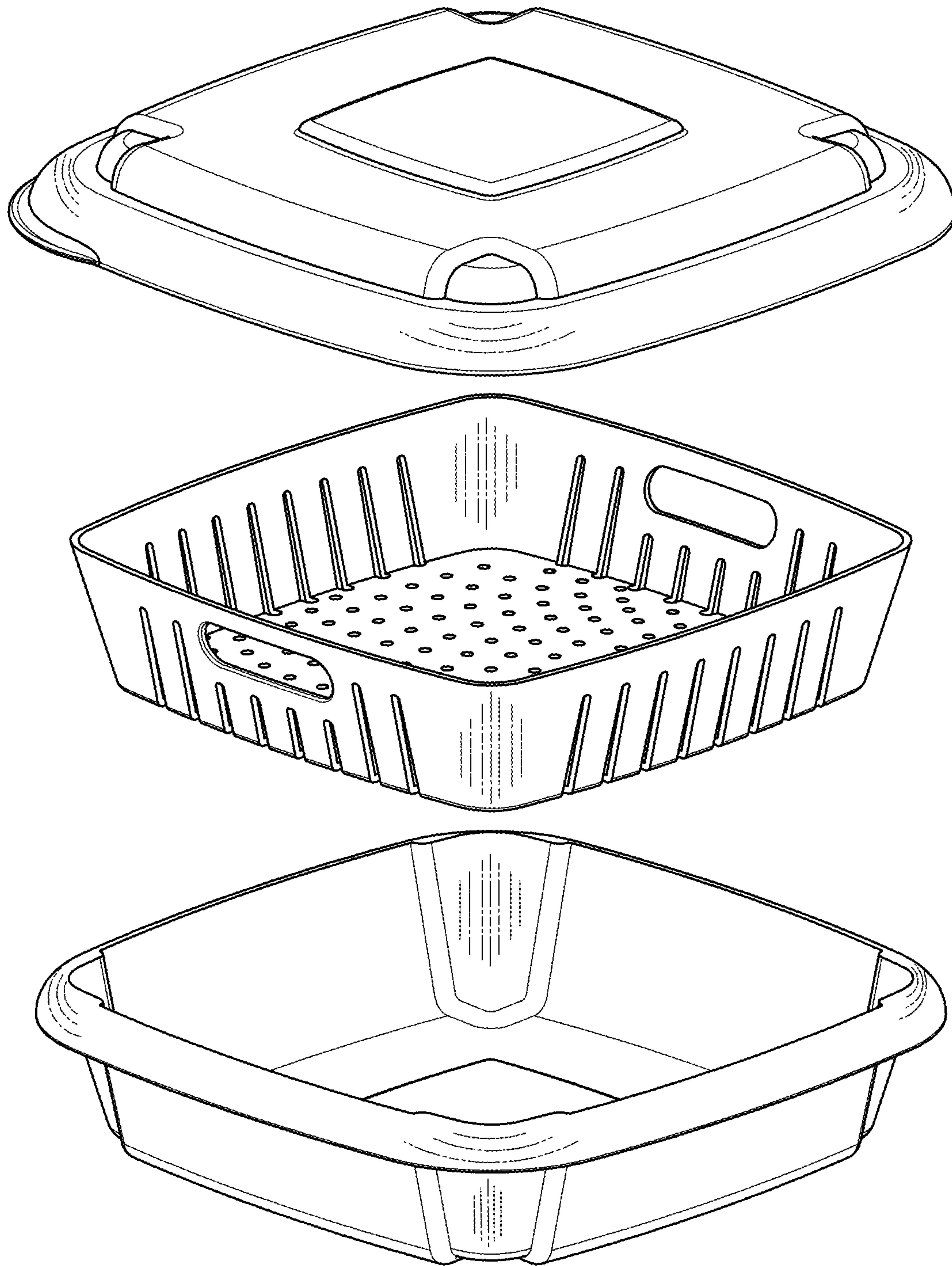


Fig. 3

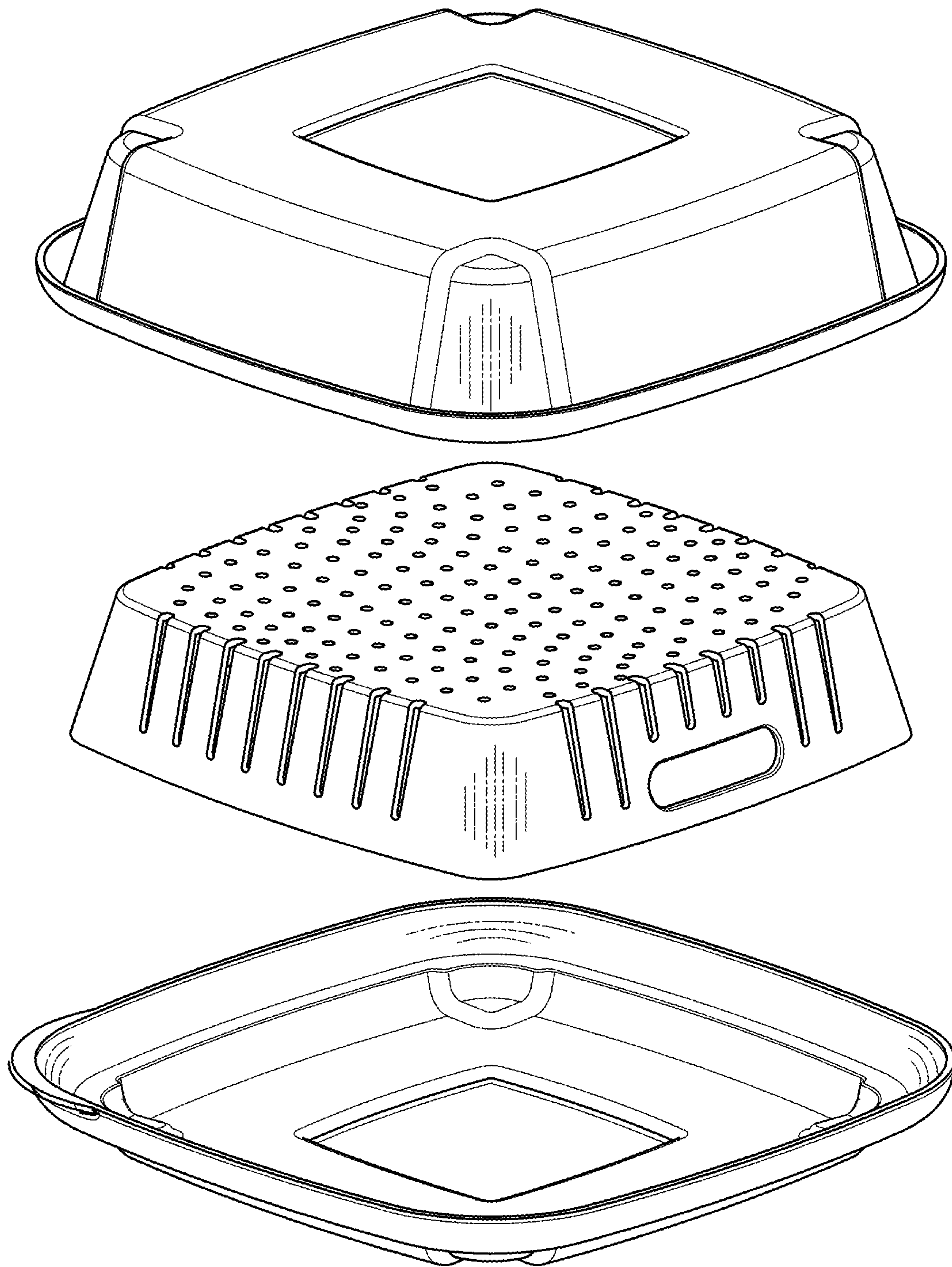


Fig. 4

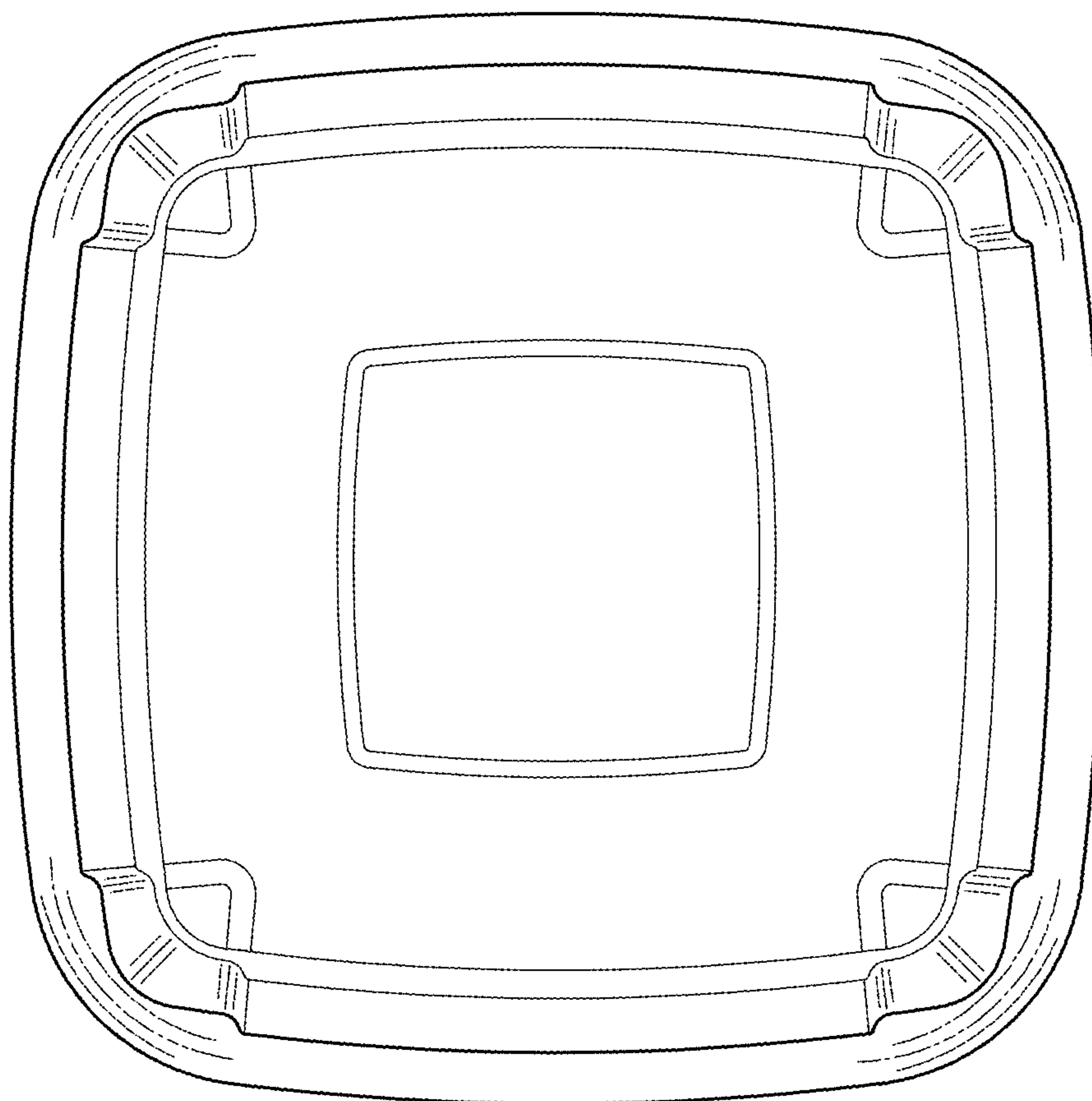


Fig. 5

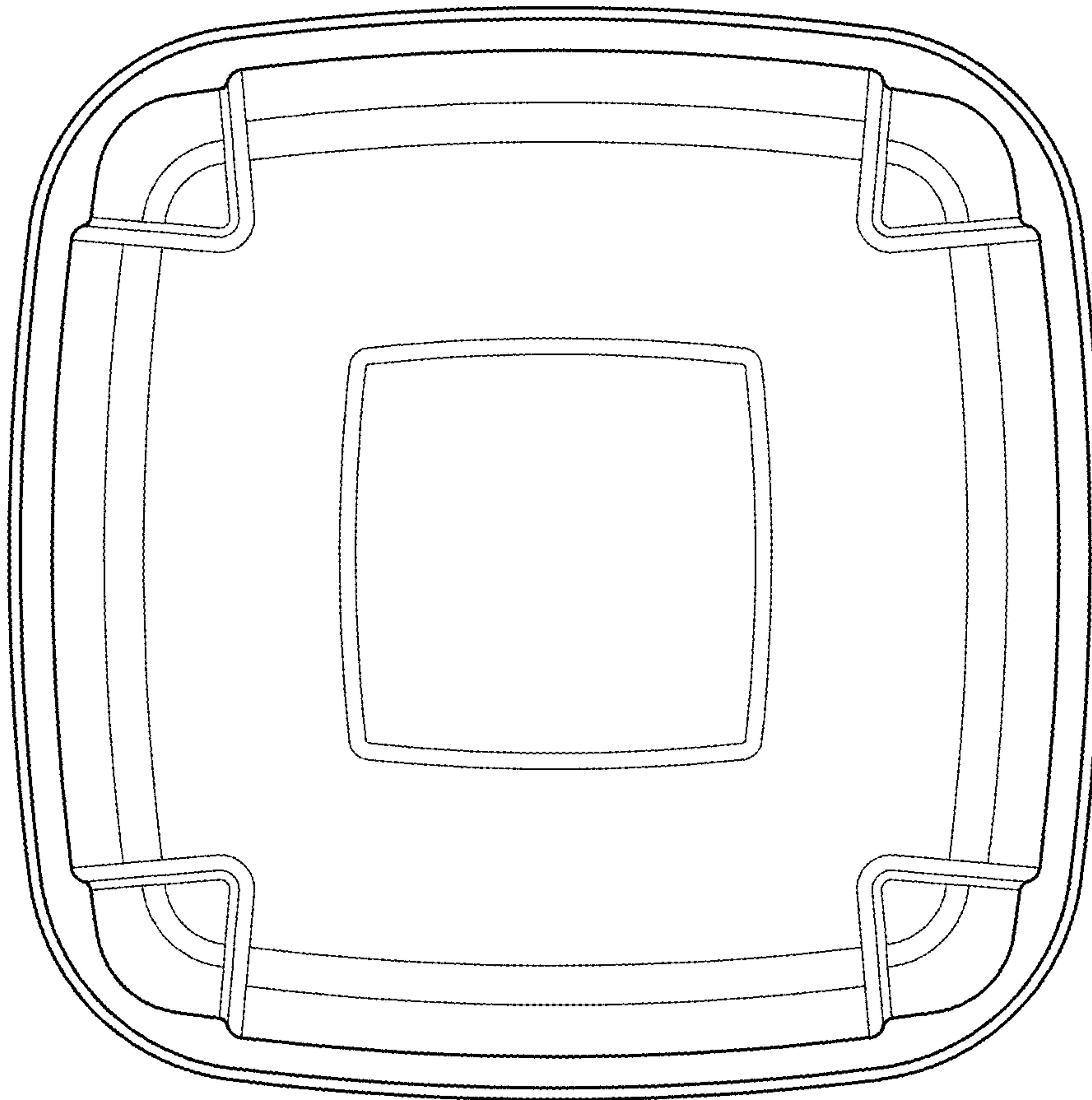


Fig. 6

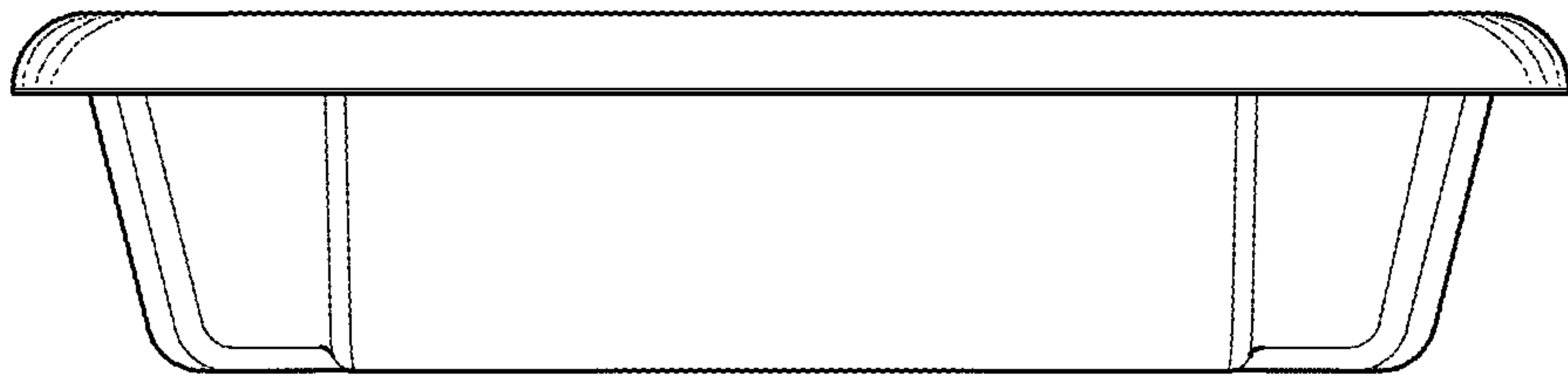


Fig. 7

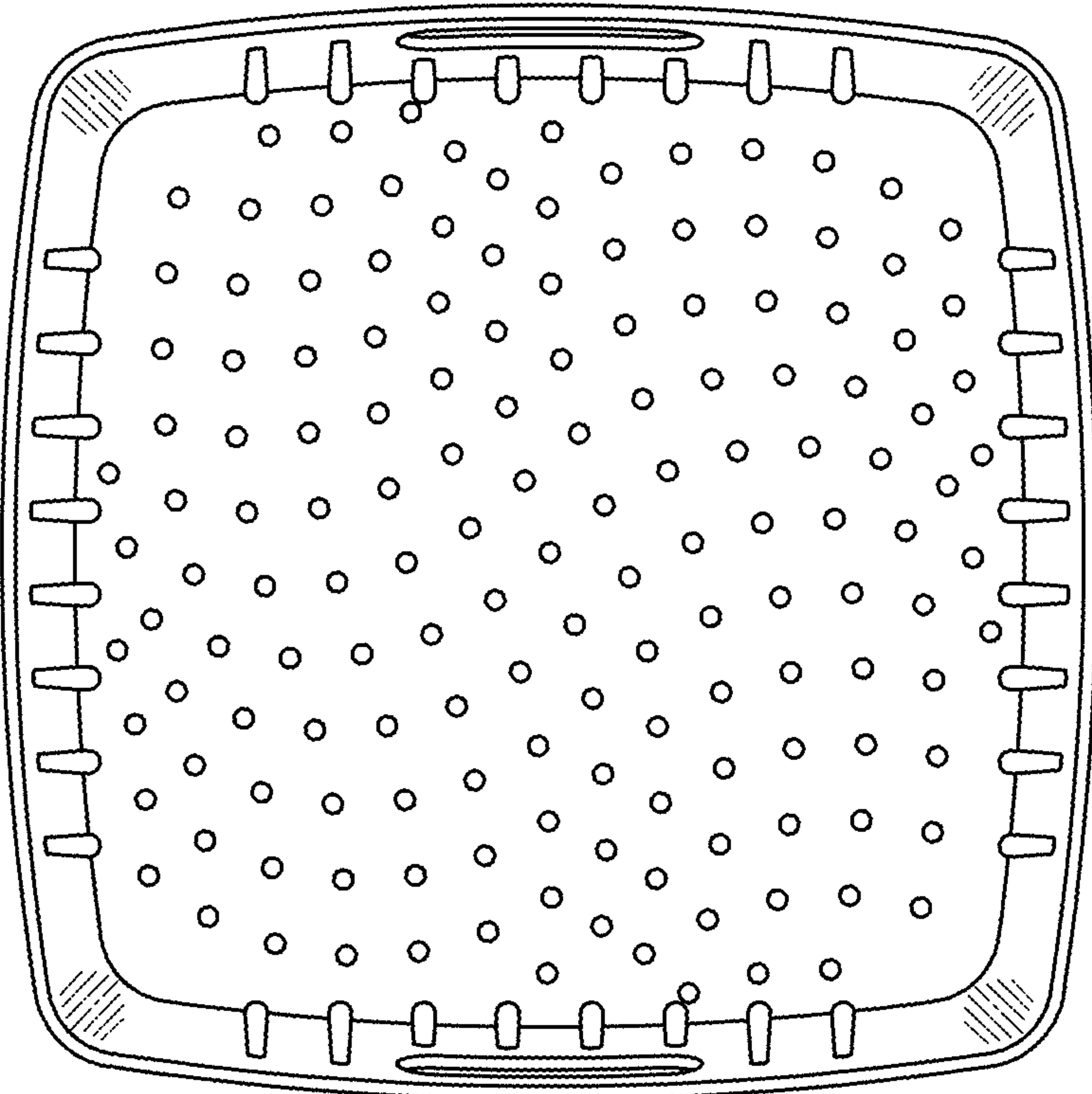


Fig. 8

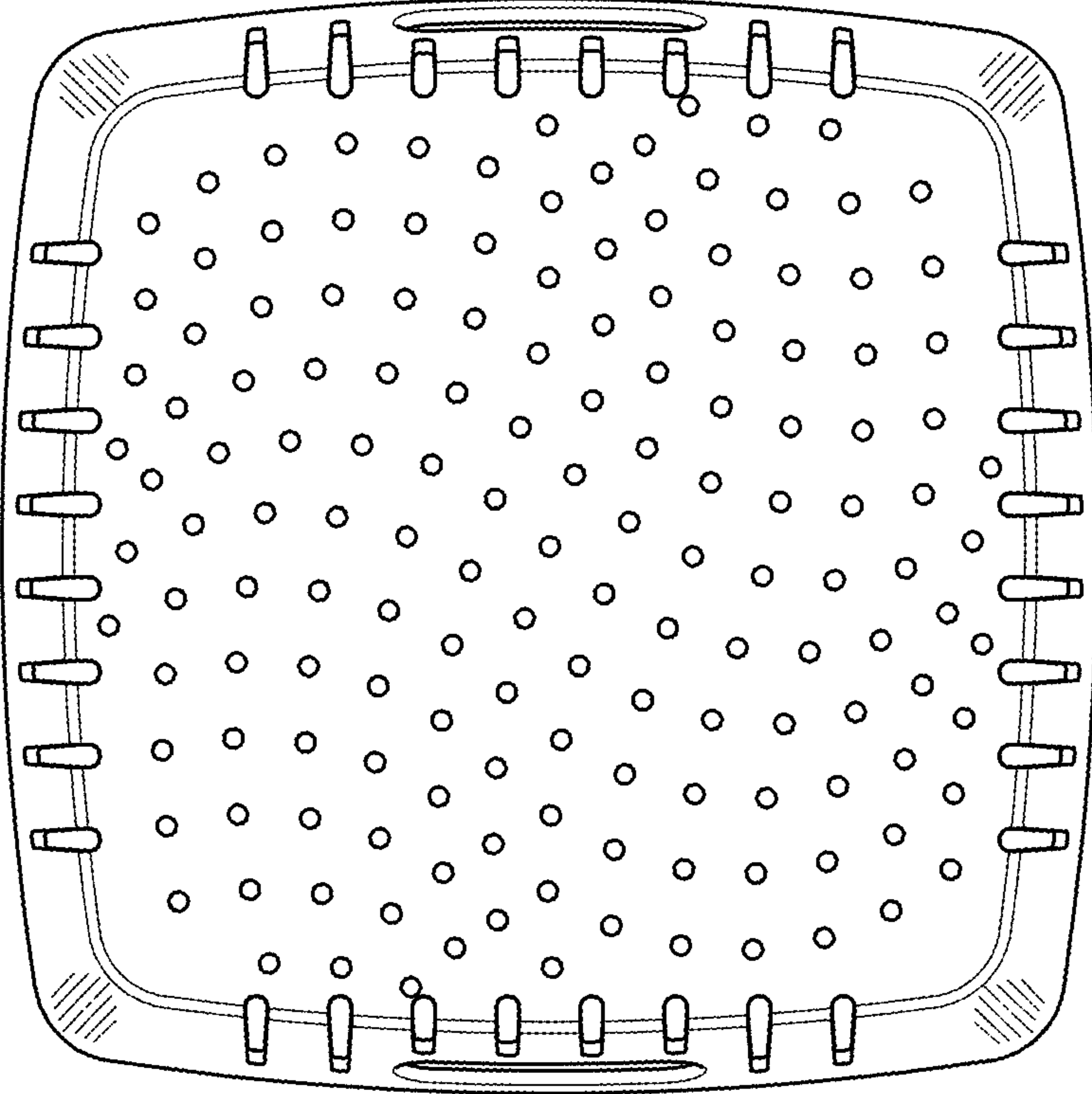


Fig. 9

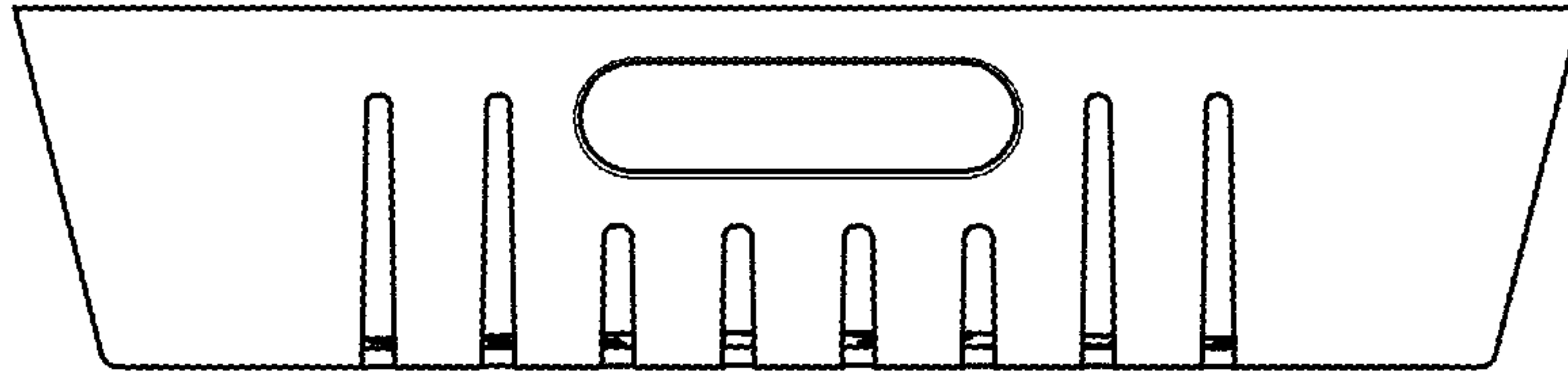


Fig. 10

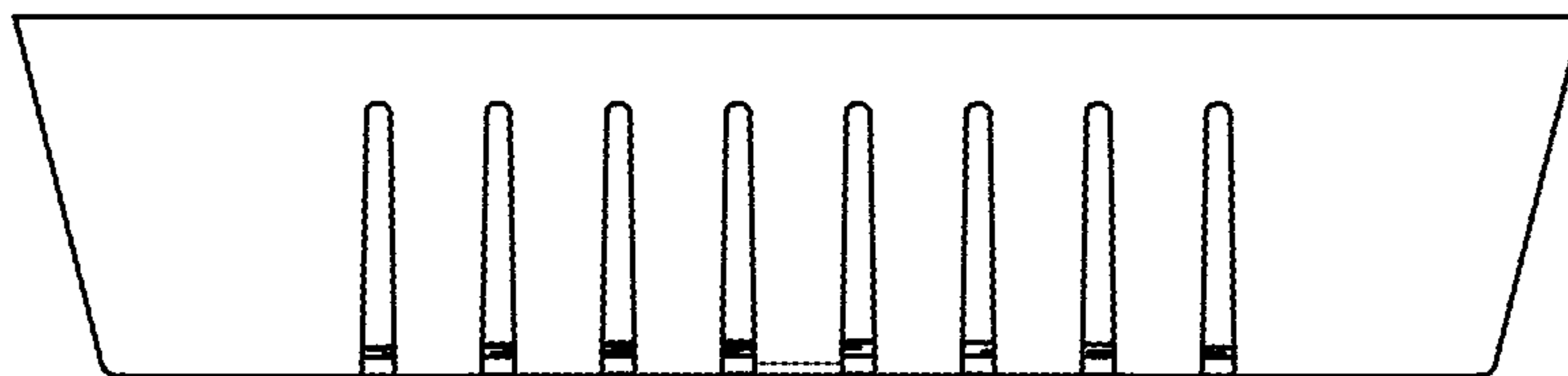


Fig. 11

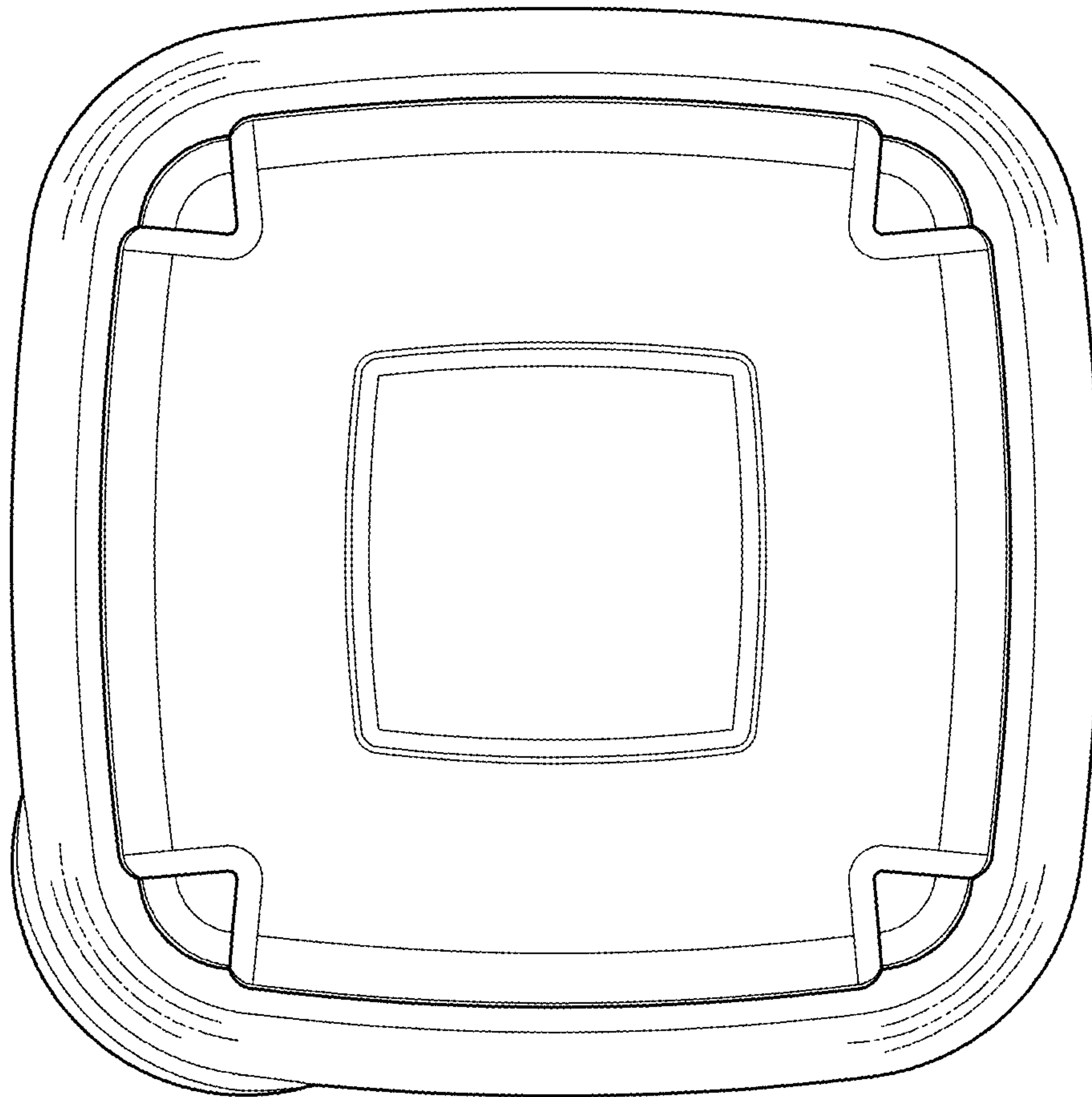


Fig. 12

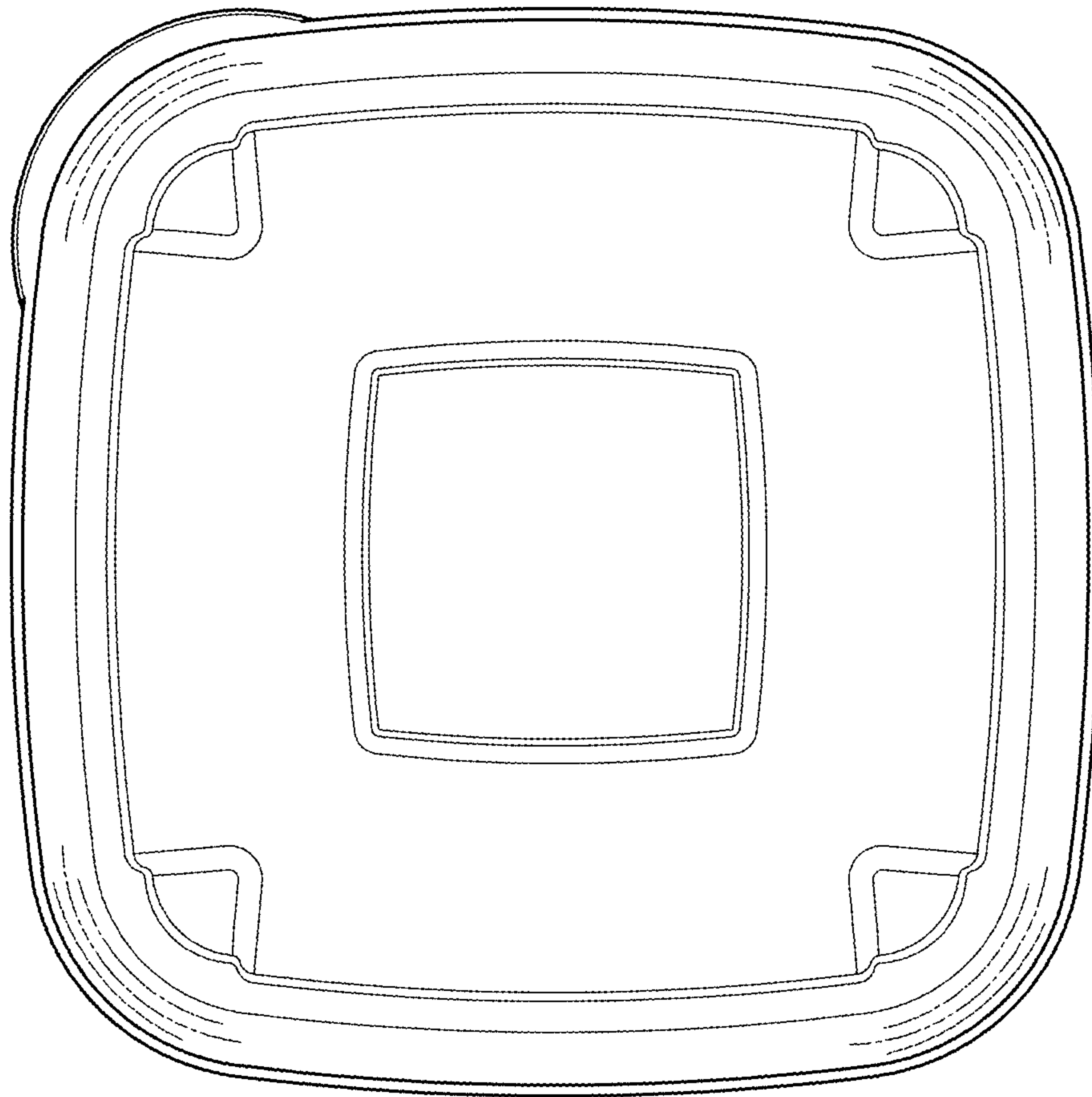


Fig. 13

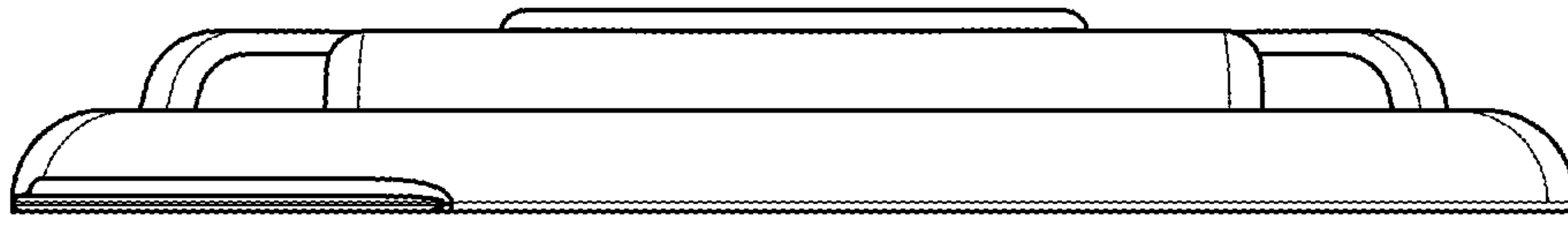


Fig. 14

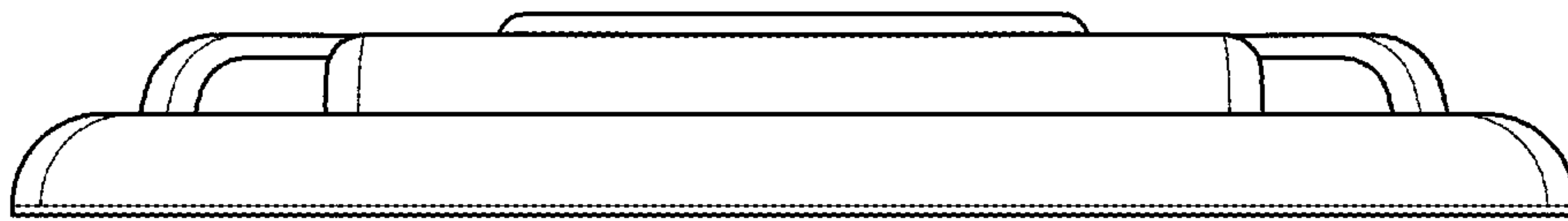


Fig. 15

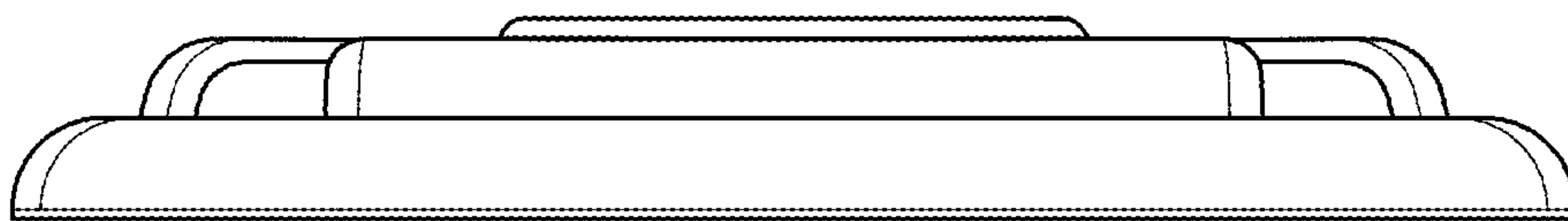


Fig. 16

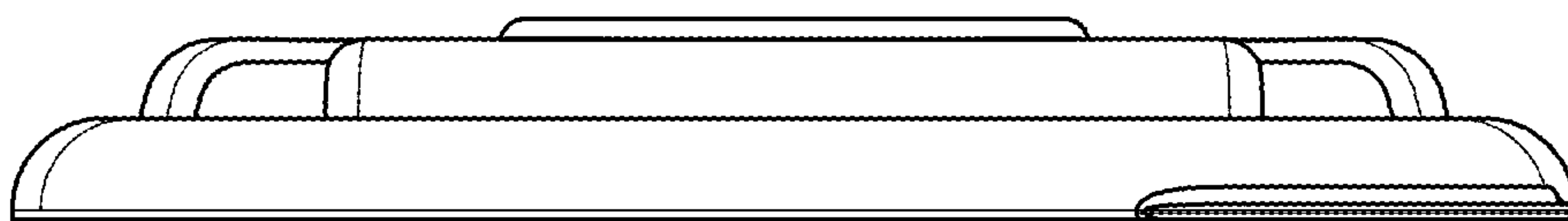


Fig. 17