

US00D873094S

(12) **United States Design Patent**
Bloch

(10) **Patent No.:** **US D873,094 S**
(45) **Date of Patent:** **** Jan. 21, 2020**

- (54) **UTENSIL**
- (71) Applicant: **Outdoor Edge Cutlery Corporation,**
Denver, CO (US)
- (72) Inventor: **David R. Bloch,** Morrison, CO (US)
- (73) Assignee: **Outdoor Edge Cutlery Corporation,**
Denver, CO (US)
- (**) Term: **15 Years**
- (21) Appl. No.: **29/657,046**
- (22) Filed: **Jul. 18, 2018**
- (51) **LOC (12) Cl.** **07-03**
- (52) **U.S. Cl.**
USPC **D7/643; D7/401.2; D7/644; D7/653**
- (58) **Field of Classification Search**
USPC D7/368, 401.2, 642-645, 653-664, 669,
D7/675-677, 683, 688-689, 691; D8/18,
D8/107, 300-301; D22/117-118
CPC ... A01D 9/02; A01D 9/04; A01D 9/06; A47G
21/00; A47G 21/004; A47G 21/005;
A47G 21/02; A47G 21/023; A47G 21/04;
A47G 21/06; A47G 21/08; A47J 43/28;
A47J 43/281; A47J 43/282; A61F 13/10;
A61J 7/0023; B25G 1/00; B25G 1/01;
B25G 1/02; B25G 3/00; B65D 75/56;
B65D 75/563; B65D 75/566; B67B 7/00;
B67B 7/38; B67B 7/724; B67B 7/73
See application file for complete search history.

(56) **References Cited**
U.S. PATENT DOCUMENTS

- 34,712 A 3/1862 Gables
- 398,264 A * 2/1889 Kisner A47G 21/06
30/150
- 849,098 A * 4/1907 Aufrichtig B67B 7/38
30/408

- 854,745 A * 5/1907 King A47G 21/02
30/150
- 972,777 A 10/1910 Richardson
- 1,053,387 A 2/1913 Hawley
- D50,119 S * 1/1917 Bessolo D8/18
- 1,229,696 A 6/1917 Woods
- 1,337,174 A 4/1920 Whyte
- 1,372,325 A 3/1921 Willemin
- 1,425,750 A 8/1922 Crawford
- 1,451,542 A * 4/1923 Ftyklo A47G 21/06
7/168
- 1,452,337 A * 4/1923 Brecel A47G 21/06
206/349
- 2,010,074 A 8/1935 Fuerst
(Continued)

Primary Examiner — Ricky Pham
(74) *Attorney, Agent, or Firm* — Lewis Brisbois Bisgaard
& Smith LLP; Craig W. Mueller

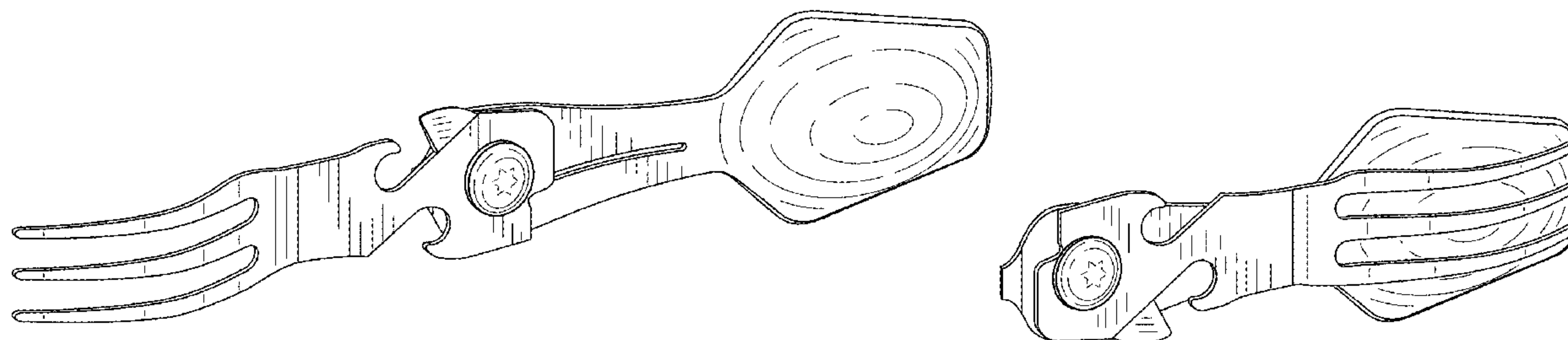
(57) **CLAIM**

The ornamental design for a utensil, as shown and described.

DESCRIPTION

FIG. 1 is a perspective view of the utensil showing the new design;
 FIG. 2 is a front elevation view thereof;
 FIG. 3 is a rear elevation view thereof;
 FIG. 4 is a left elevation view thereof;
 FIG. 5 is a right elevation view thereof;
 FIG. 6 is a top plan view thereof;
 FIG. 7 is a bottom plan view thereof;
 FIG. 8 is a perspective view of the utensil of FIG. 1 in a second, folded position of use;
 FIG. 9 is a front elevation view thereof;
 FIG. 10 is a rear elevation view thereof;
 FIG. 11 is a left elevation view thereof;
 FIG. 12 is a right elevation view thereof;
 FIG. 13 is a top plan view thereof; and,
 FIG. 14 is a bottom plan view thereof.
 The broken lines form no part of the claimed design.

1 Claim, 7 Drawing Sheets



(56)

References Cited

U.S. PATENT DOCUMENTS

2,318,129	A *	5/1943	Torode	A47G 21/06 30/147
2,470,492	A	5/1949	Jenkins	
3,771,224	A	11/1973	Bono, Jr.	
4,615,120	A *	10/1986	Newman	A47G 21/02 16/227
D342,422	S	12/1993	Sanford	
5,845,403	A	12/1998	Nivin	
5,940,974	A *	8/1999	Lee	A47G 21/02 30/322
D414,988	S	10/1999	Santini	
6,105,259	A	8/2000	Meyers	
6,751,873	B2 *	6/2004	Mattson	A47G 21/02 30/322
D575,593	S	8/2008	Svartstrom	
D608,602	S	1/2010	Davies	
D609,060	S	2/2010	Pallotto	
D656,799	S	4/2012	Lebeau	
D722,837	S	2/2015	Miksovsky	
D741,116	S	10/2015	Mundhra	
D746,644	S	1/2016	Cai	
D753,447	S	4/2016	Busboom	
D758,808	S	6/2016	Gatewood	
D771,444	S *	11/2016	Anzalone	D7/643
D794,400	S	8/2017	Young	
D812,995	S *	3/2018	Mundhra	D7/643
D813,616	S	3/2018	Mundhra	
D842,662	S *	3/2019	Bloch	D7/643

* cited by examiner

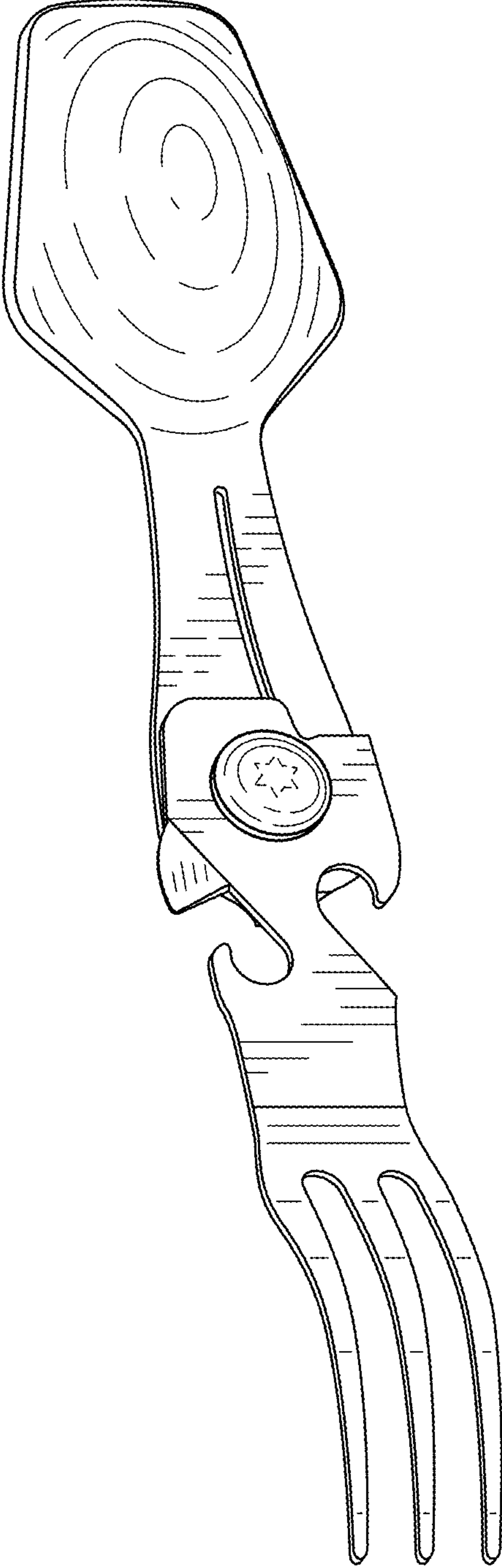


FIG.1

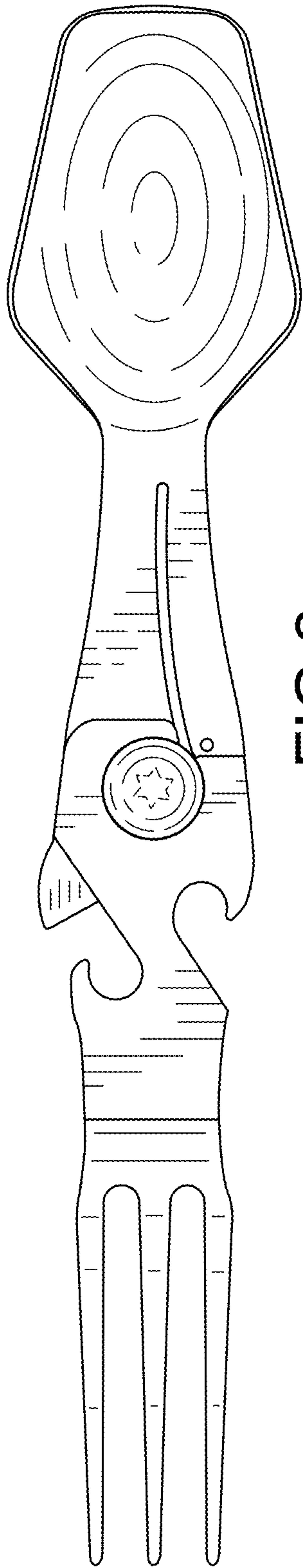


FIG. 2

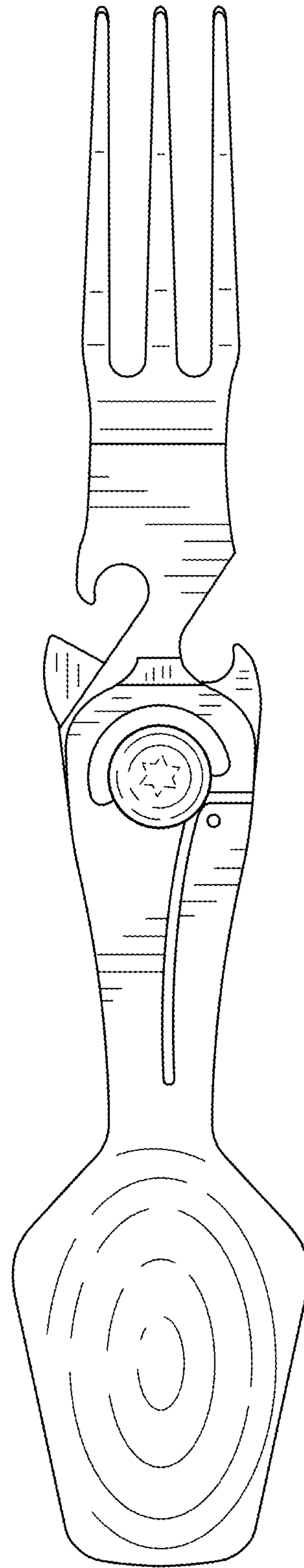


FIG. 3

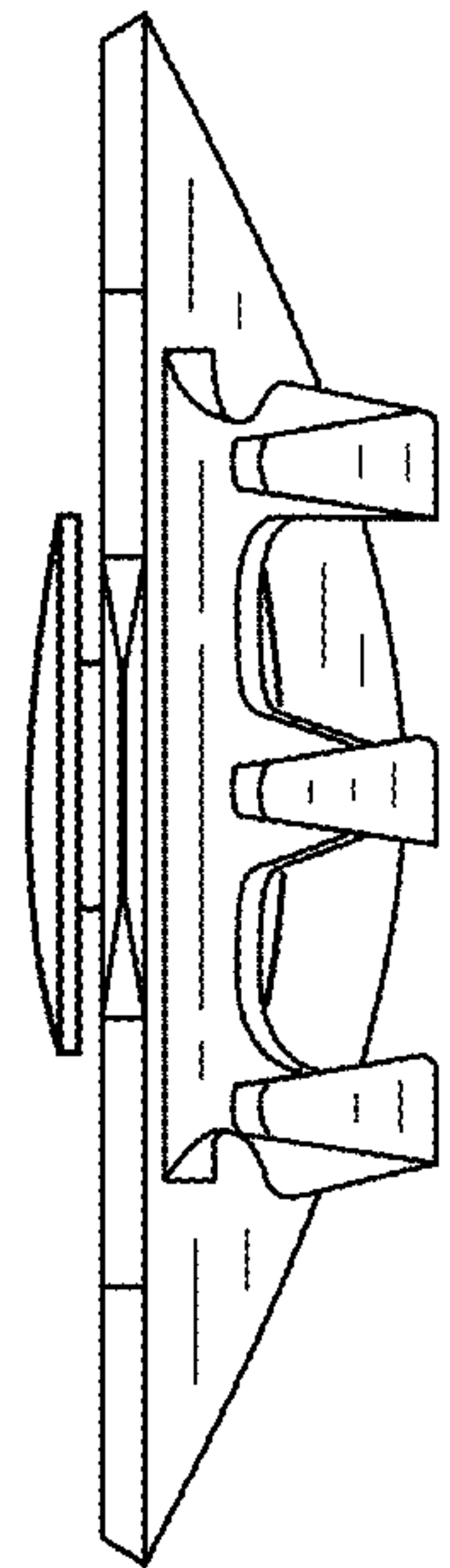


FIG.4

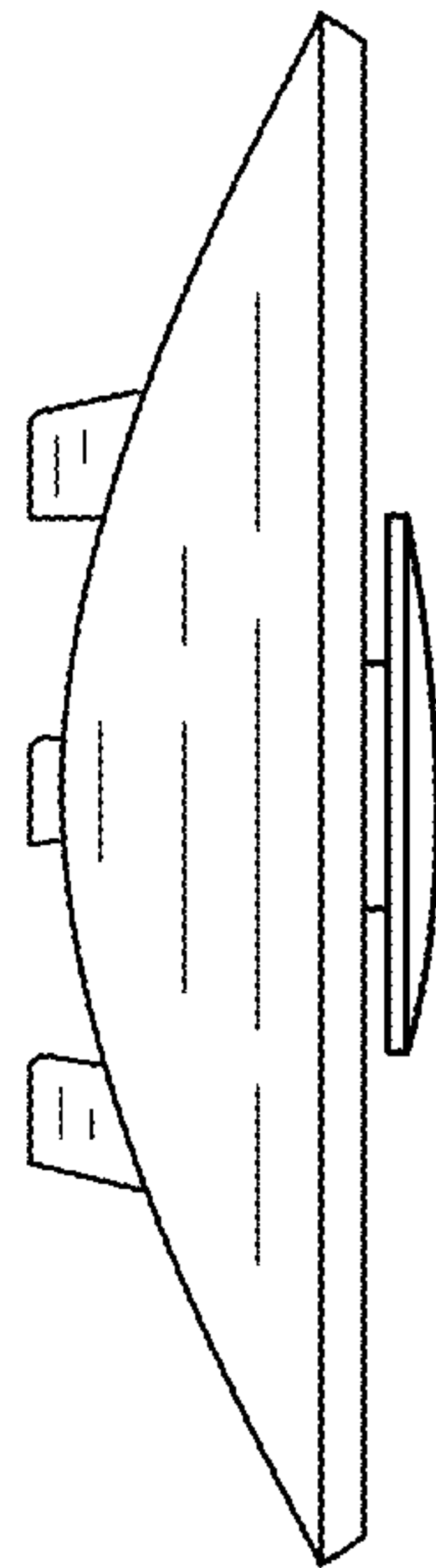


FIG.5

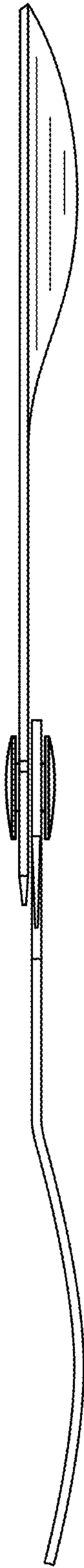


FIG. 6



FIG. 7

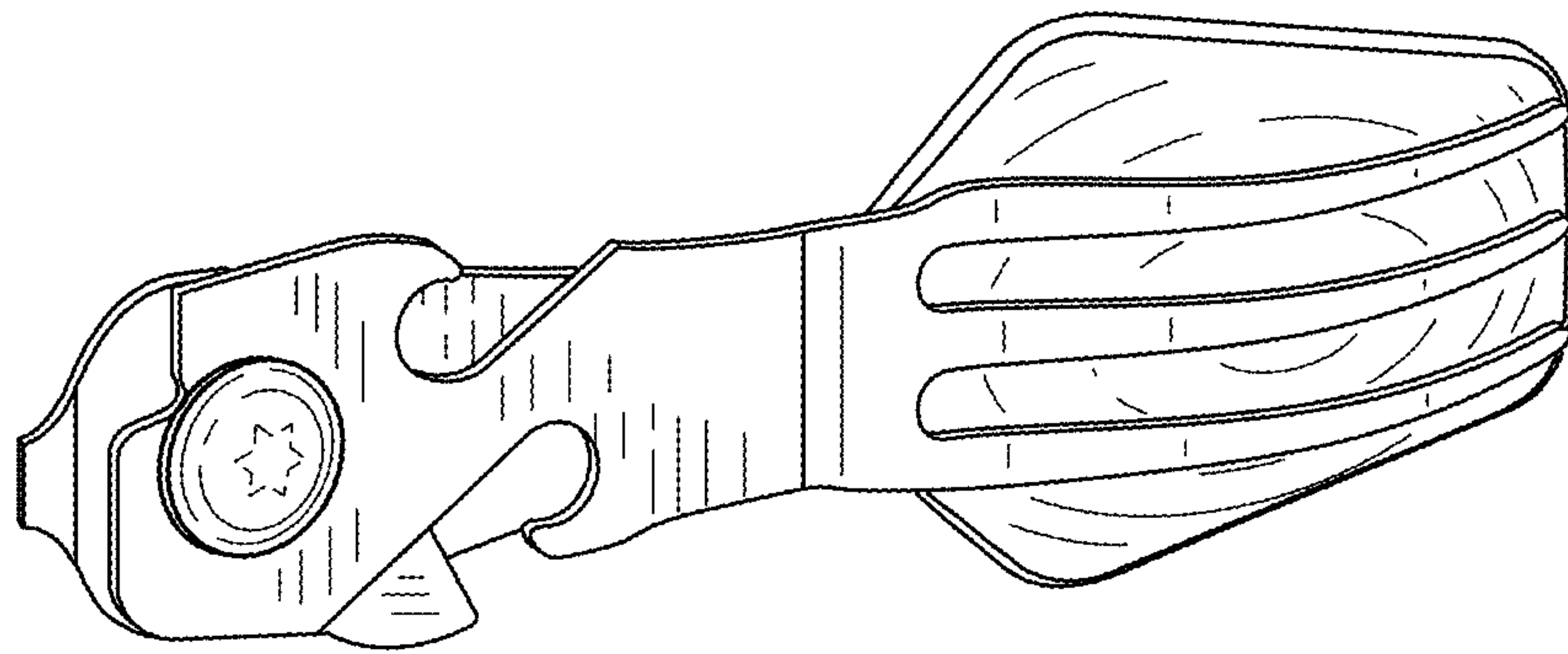


FIG.8

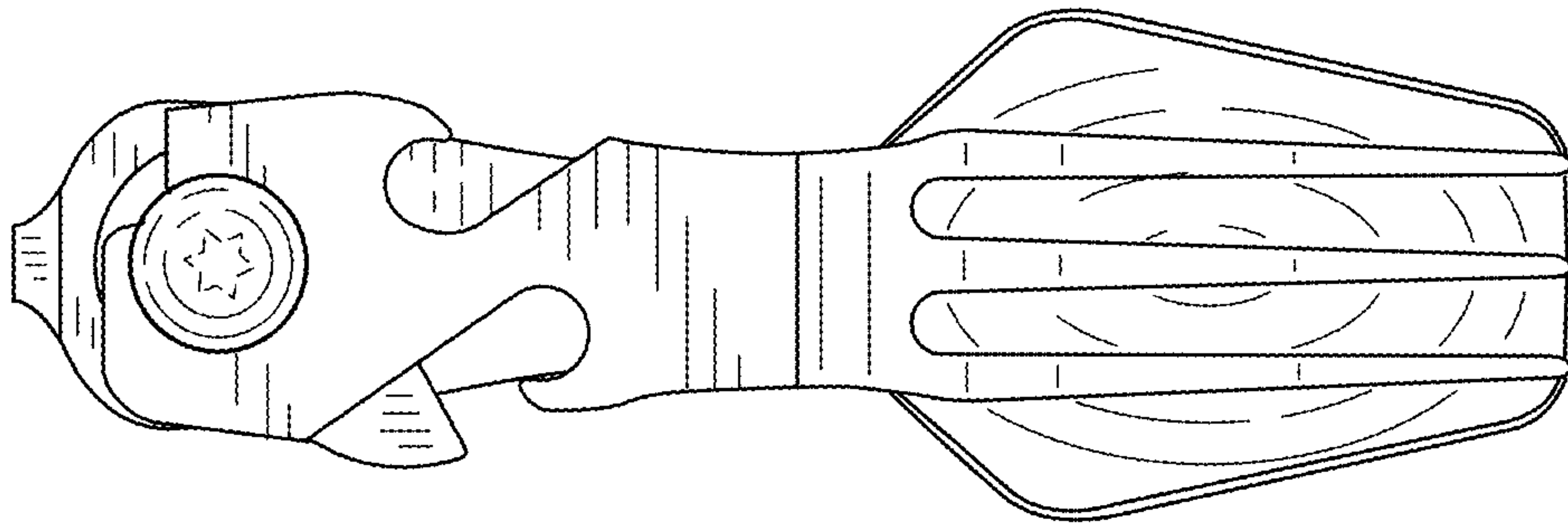


FIG. 9

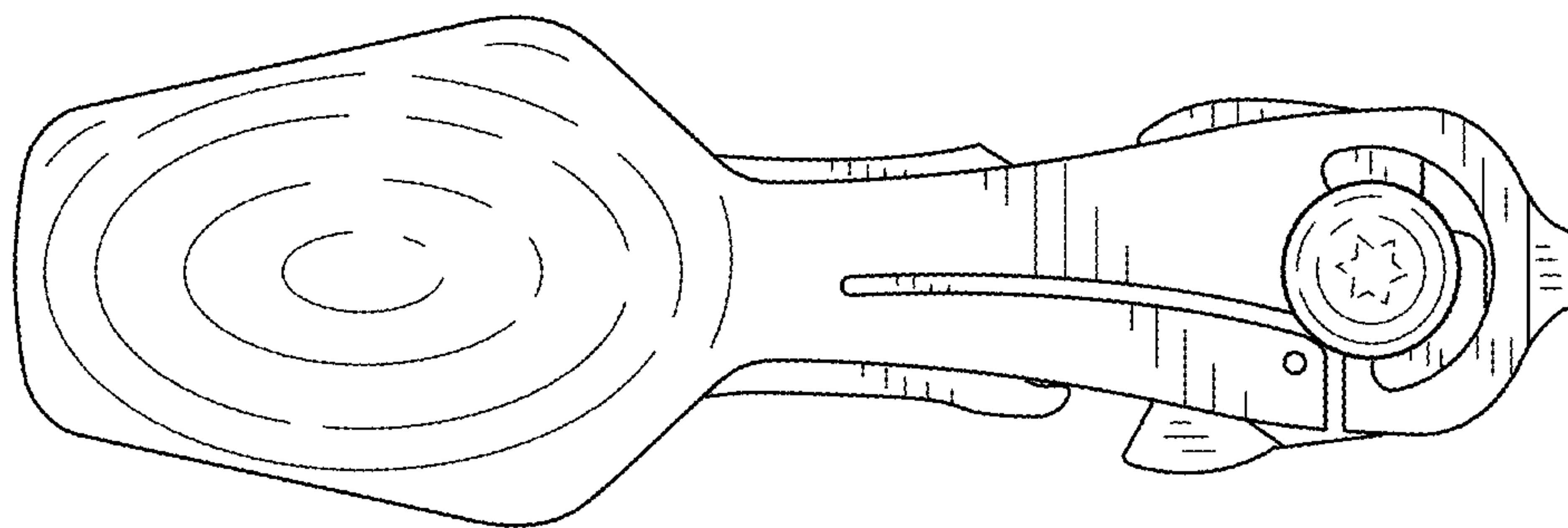


FIG. 10

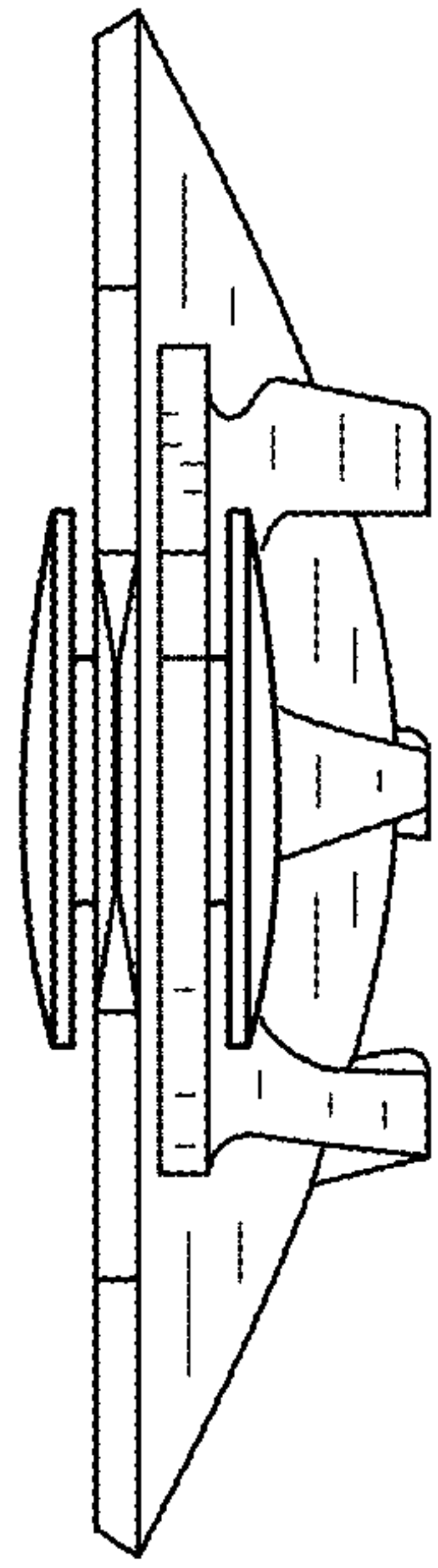


FIG. 11

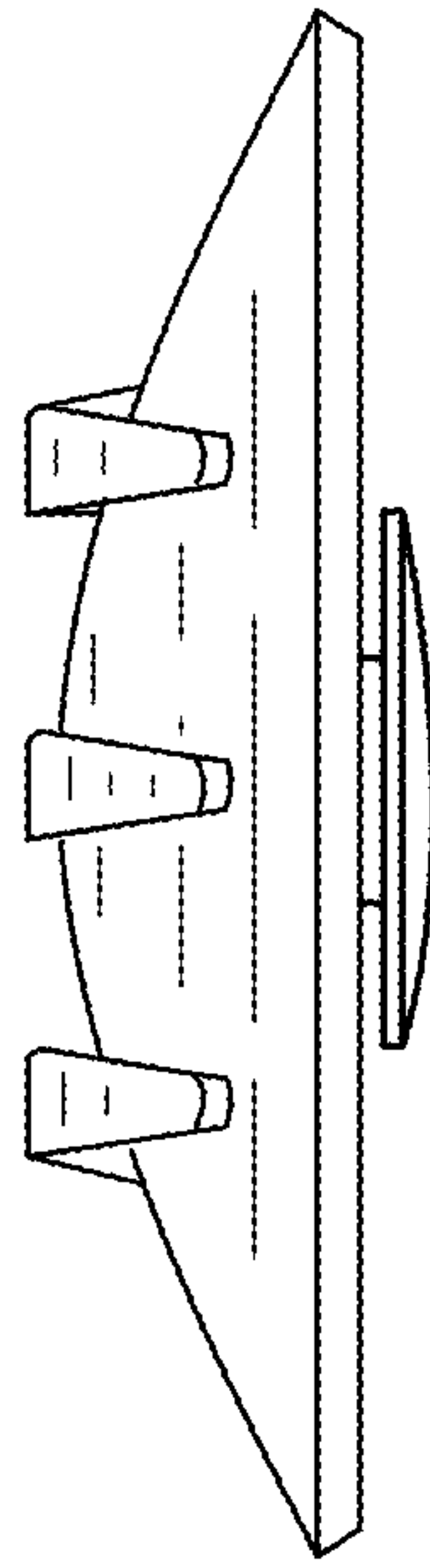


FIG. 12

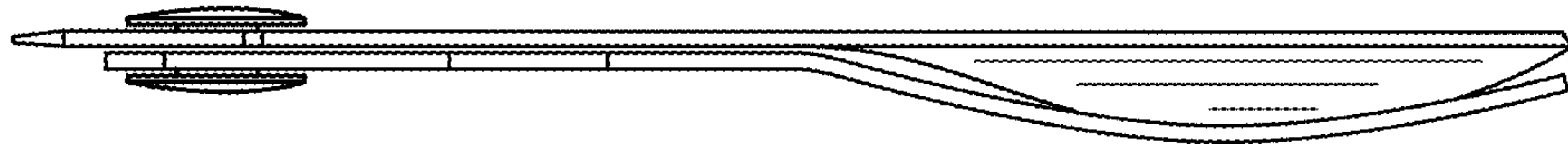


FIG. 13



FIG. 14