



US00D873093S

(12) **United States Design Patent**
Carey et al.

(10) **Patent No.:** **US D873,093 S**
(45) **Date of Patent:** **** Jan. 21, 2020**

- (54) **COOLER**
- (71) Applicant: **THE METAL WARE CORPORATION**, Two Rivers, WI (US)
- (72) Inventors: **Richard Carey**, Manitowoc, WI (US); **Ross Niemi**, Two Rivers, WI (US)
- (73) Assignee: **THE METAL WARE CORPORATION**, Two Rivers, WI (US)

D344,657 S *	3/1994	Knopp	D7/313
6,065,303 A *	5/2000	Harris	F25D 3/08
				62/457.4
6,783,034 B1 *	8/2004	Brent	B67D 1/0418
				222/183
D526,827 S *	8/2006	Allen	D7/306
D613,563 S *	4/2010	Burgess	D7/608
D671,372 S *	11/2012	Zou	D7/608
D722,474 S *	2/2015	Seiders	D32/53
2015/0107293 A1 *	4/2015	Encinas	F25D 3/08
				62/457.7
2018/0037394 A1 *	2/2018	Seiders	B65D 25/2808

- (**) Term: **15 Years**
- (21) Appl. No.: **29/648,378**
- (22) Filed: **May 21, 2018**
- (51) **LOC (12) Cl.** **07-01**
- (52) **U.S. Cl.**
USPC **D7/608**
- (58) **Field of Classification Search**
USPC D7/603-608, 300, 312, 313, 306-311
CPC F25D 3/08; F25D 3/14; F25D 2331/804;
A45C 11/20; B26B 3/00; A47J 41/028;
B65D 81/3823; B65D 81/3886; B65D
81/38; B65D 81/3802; B65D 81/3837;
B65D 81/3839; B65D 81/3846; B65D
81/3841; B65D 81/3844; B65D 21/086;
B65D 25/2808; B67D 1/0418
See application file for complete search history.

- (56) **References Cited**
U.S. PATENT DOCUMENTS
D203,709 S * 2/1966 Yamasaki D7/313
D261,088 S * 10/1981 Akimov D7/608
4,537,044 A * 8/1985 Putnam A45C 11/20
220/902
D309,396 S * 7/1990 Lundblade D7/313

OTHER PUBLICATIONS

“Cooler with Dispenser,” Google Image Search, 11 Pages, retrieved Oct. 23, 2018 (url).

* cited by examiner

Primary Examiner — Terry A Wallace
(74) Attorney, Agent, or Firm — Seager, Tufte & Wickhem LLP.

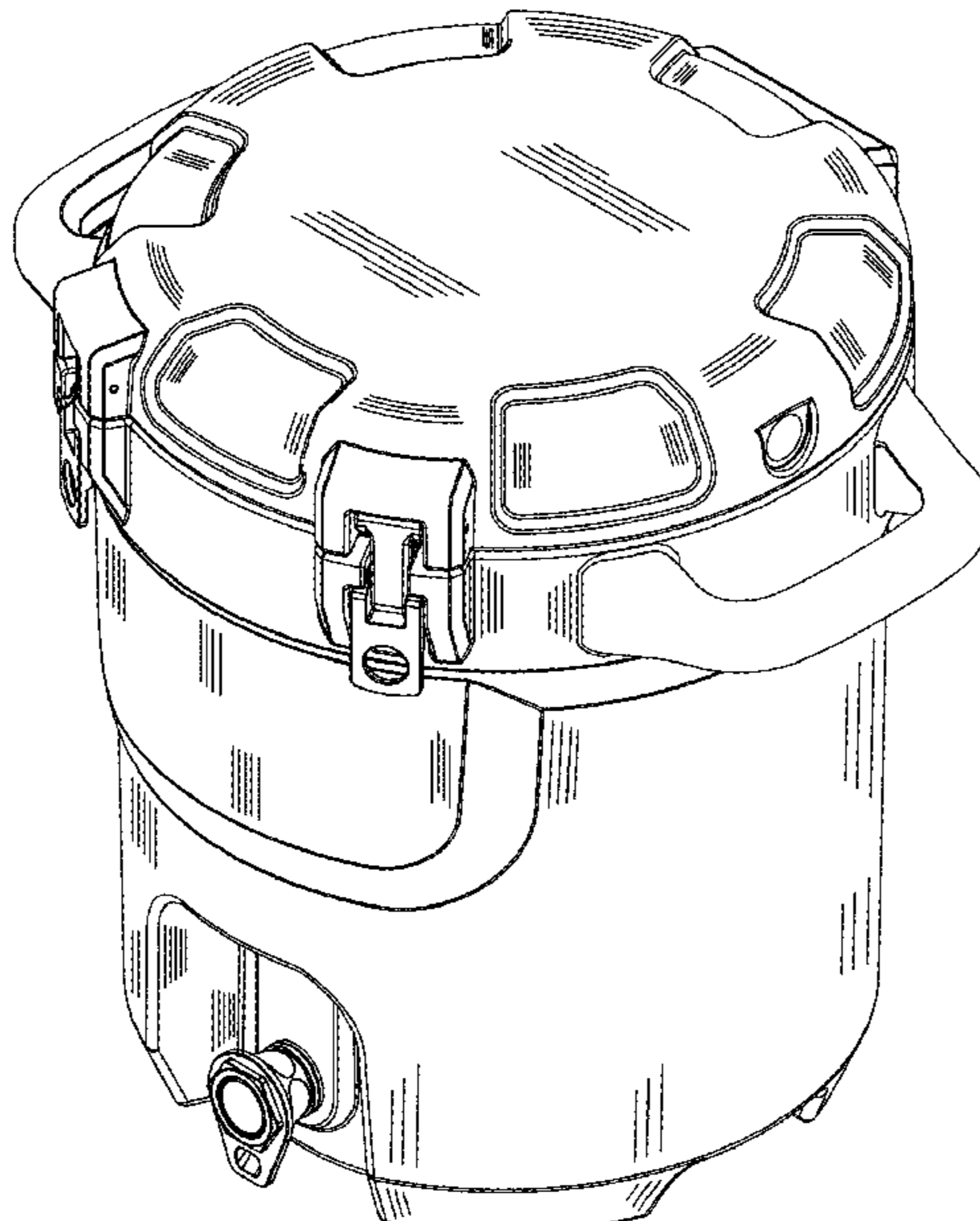
(57) **CLAIM**

The ornamental design of a cooler, as shown and described.

DESCRIPTION

FIG. 1 is a top perspective view of a cooler showing our new design;
FIG. 2 is a front side view of the cooler of FIG. 1;
FIG. 3 is a back side view of the cooler of FIG. 1;
FIG. 4 is a left side view of the cooler of FIG. 1;
FIG. 5 is a right side view of the cooler of FIG. 1;
FIG. 6 is a top side view of the cooler of FIG. 1; and,
FIG. 7 is a bottom side view of the cooler of FIG. 1.

1 Claim, 7 Drawing Sheets



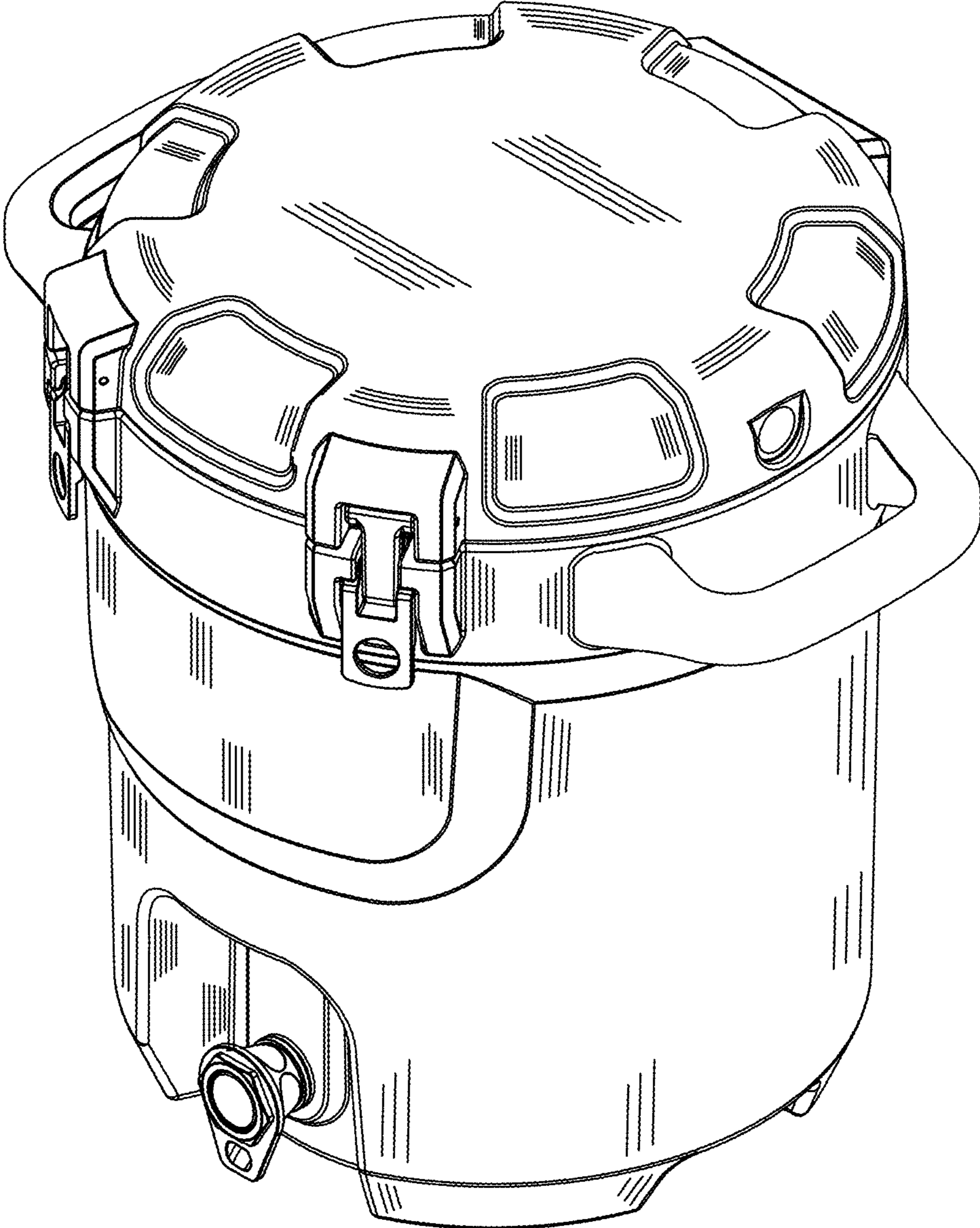


Figure 1

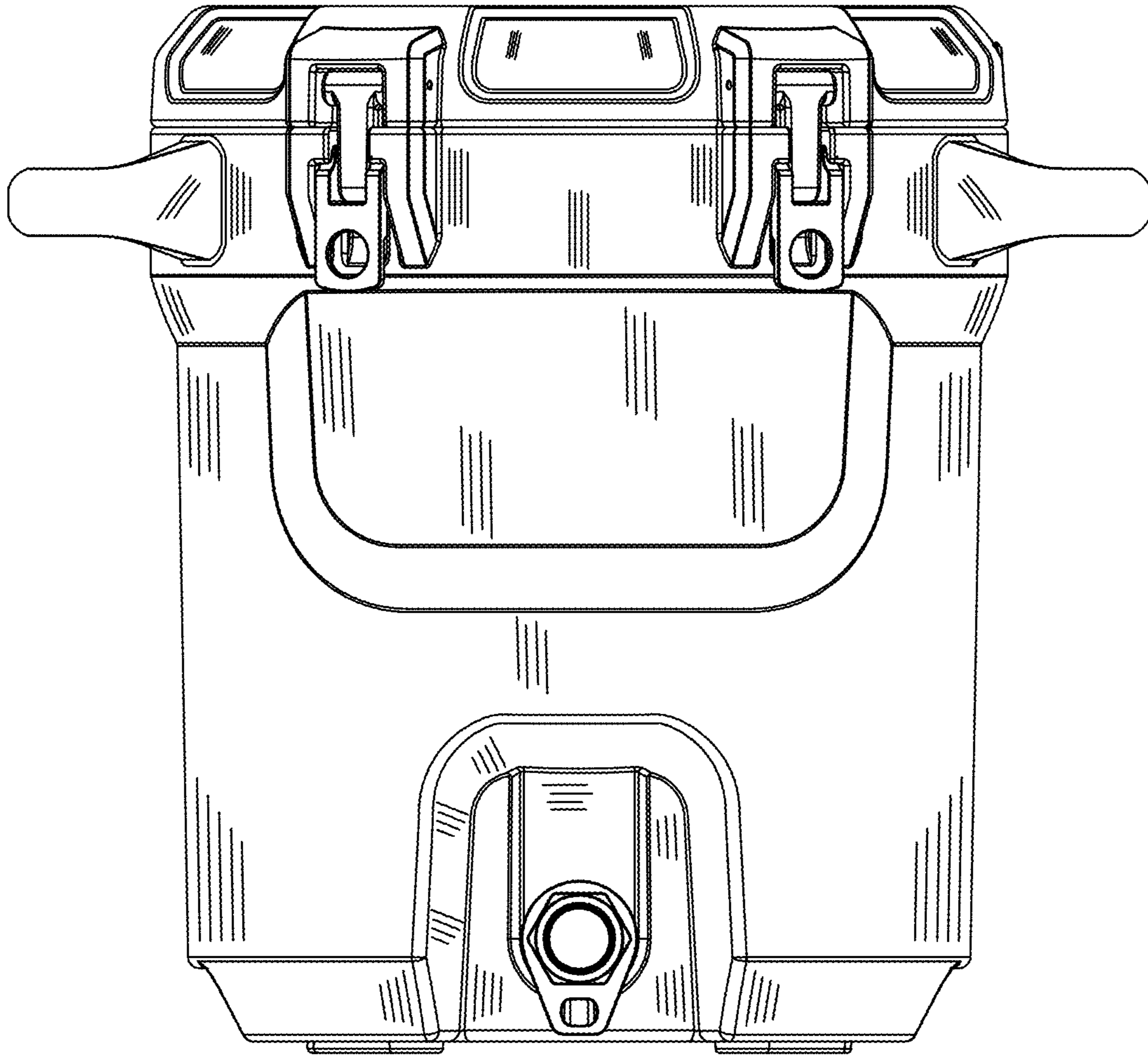


Figure 2

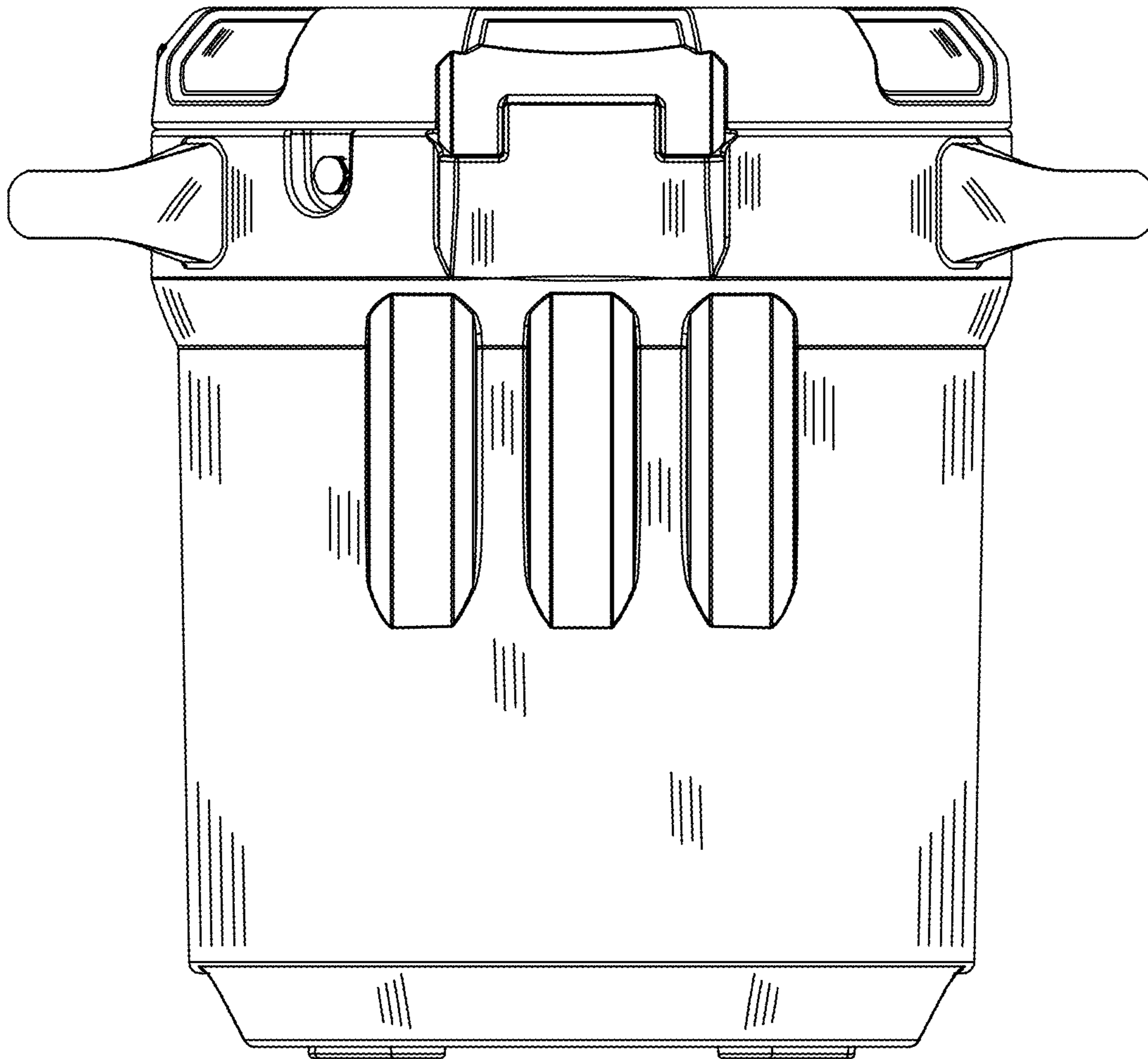


Figure 3

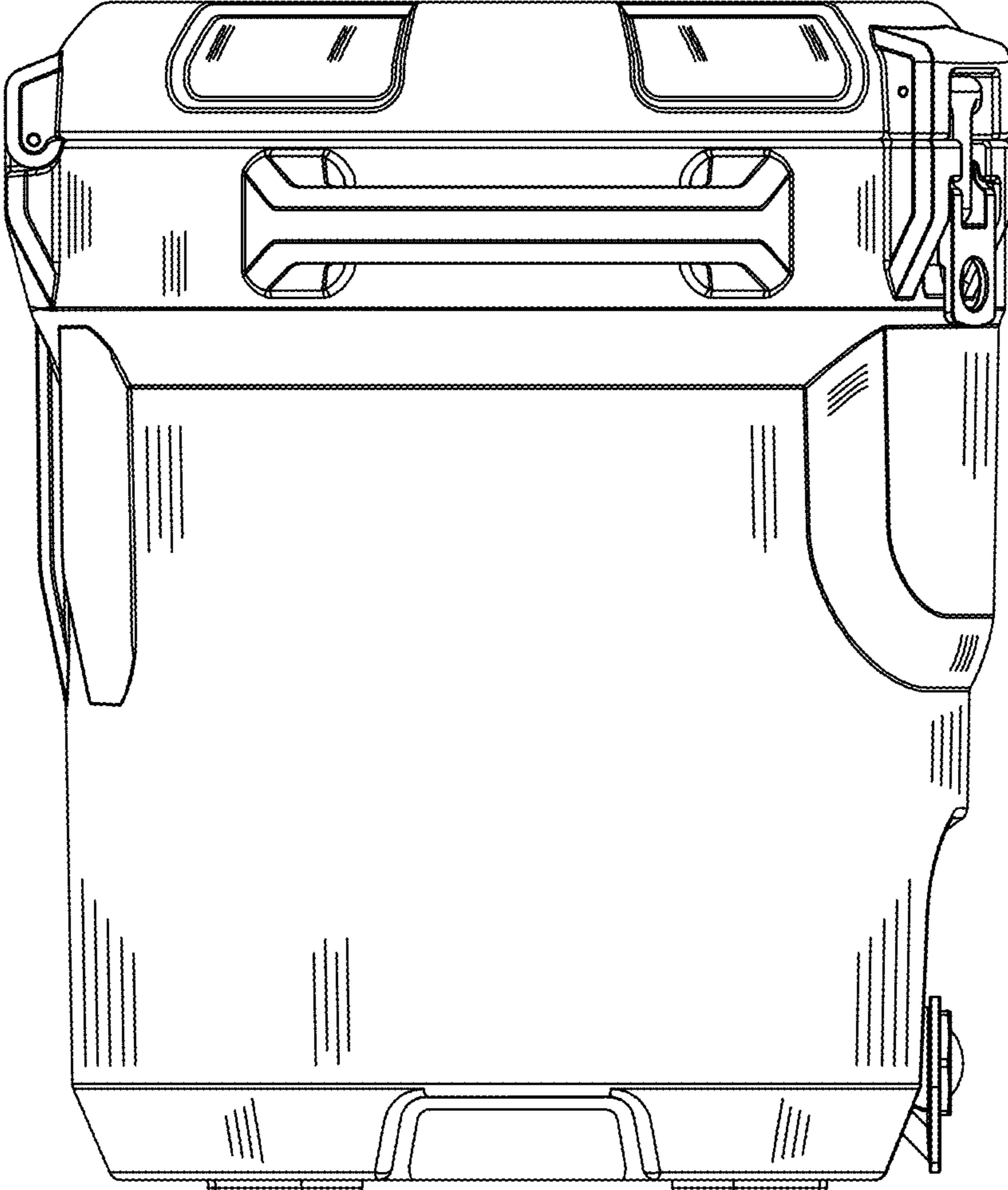


Figure 4

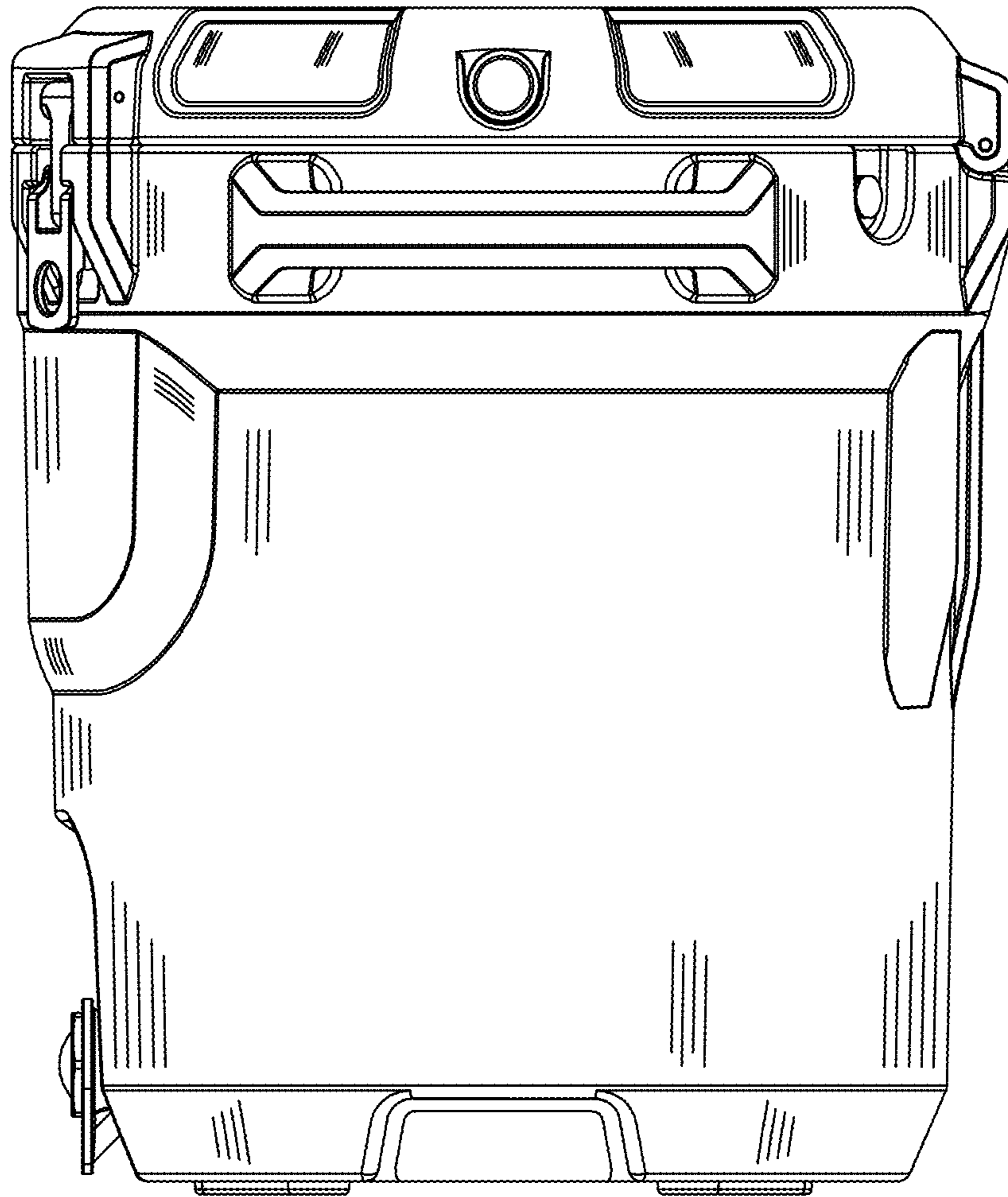


Figure 5

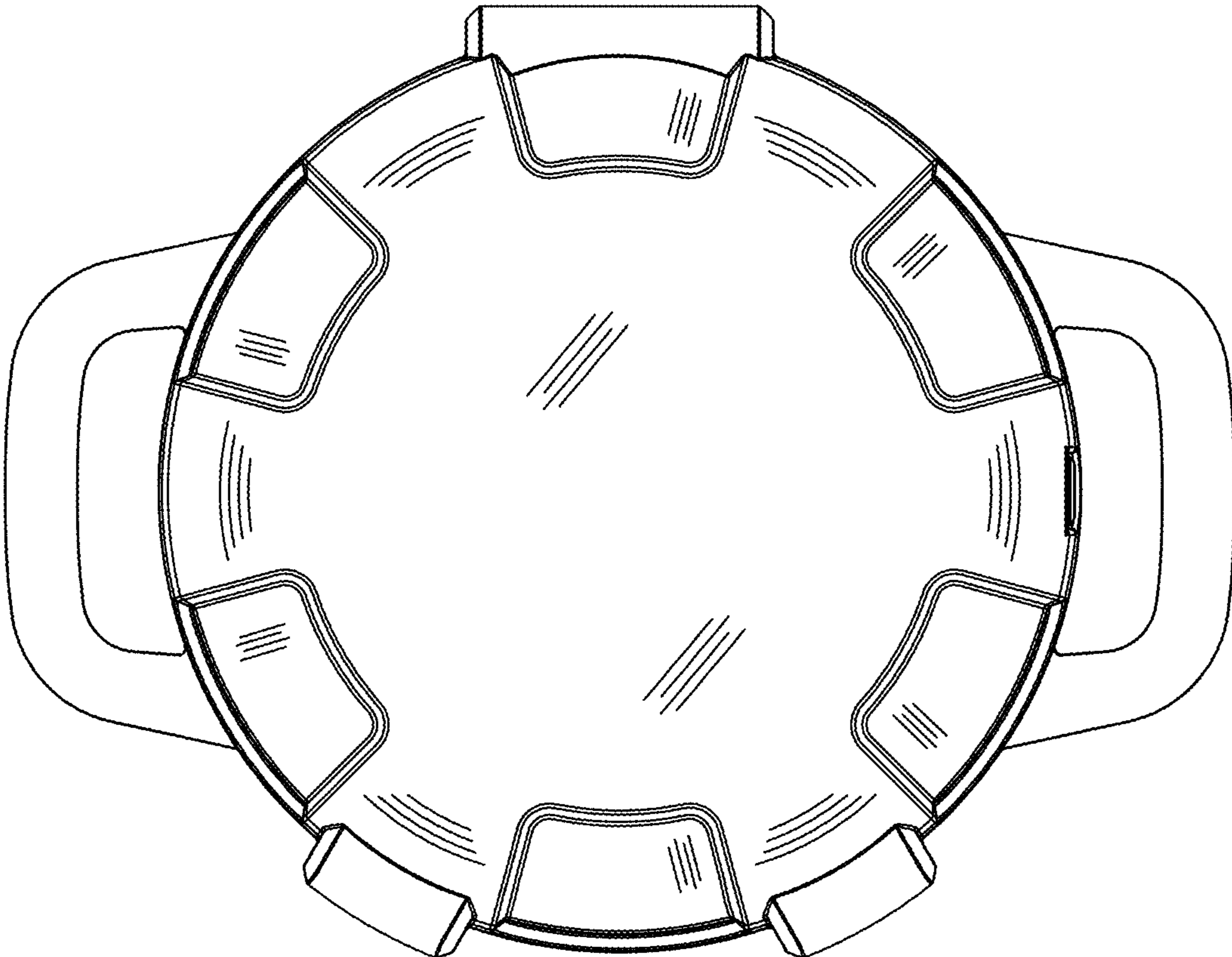


Figure 6

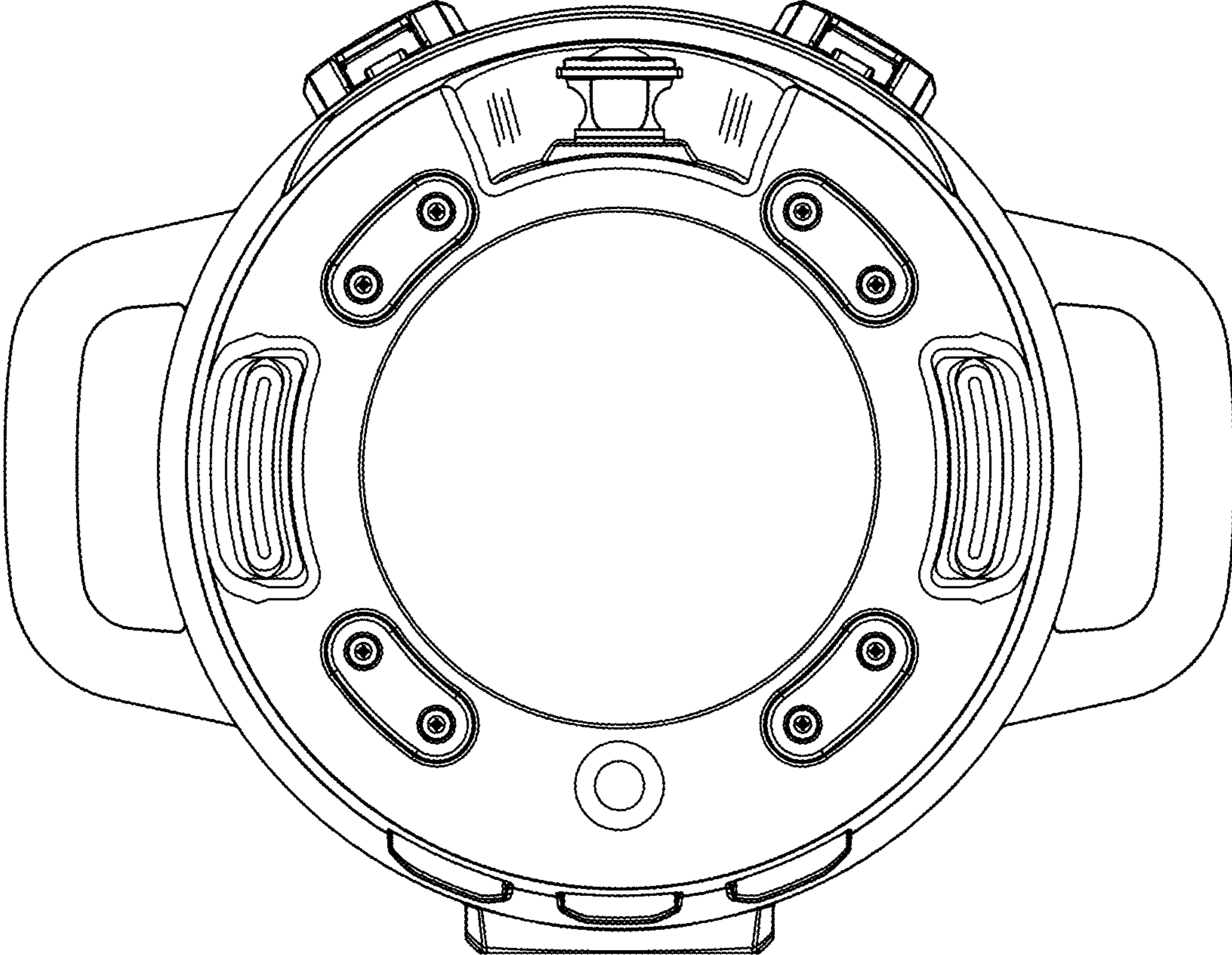


Figure 7