



US00D873090S

(12) **United States Design Patent** (10) **Patent No.:** **US D873,090 S**  
**Jacobsen** (45) **Date of Patent:** **\*\* Jan. 21, 2020**

(54) **COOLER**

(71) Applicant: **RTIC IP, LLC**, Houston, TX (US)

(72) Inventor: **James Matthew Jacobsen**, Houston, TX (US)

(73) Assignee: **RTIC IP, LLC**, Houston, TX (US)

(\*\*) Term: **15 Years**

(21) Appl. No.: **29/657,168**

(22) Filed: **Jul. 19, 2018**

(51) **LOC (12) Cl.** ..... **07-01**

(52) **U.S. Cl.**

USPC ..... **D7/607; D7/605**

(58) **Field of Classification Search**

USPC ..... D7/603–608, 709, 710, 629; D3/283, D3/287, 289, 233, 267, 268, 273, 276, D3/315, 318

(Continued)

(56) **References Cited**

**U.S. PATENT DOCUMENTS**

2,963,187 A \* 12/1960 Bramming ..... A47J 41/02  
215/12.1  
3,089,603 A \* 5/1963 Leslie-Smith ..... A47J 41/02  
215/12.1

(Continued)

**FOREIGN PATENT DOCUMENTS**

JP 2009-018845 1/2009  
JP 2011-041776 3/2011

**OTHER PUBLICATIONS**

'amazon.com' [online]. "Agile Life Designs Large Lunchbox, Premium Quality Men and Women's Insulated Bag with 2 Mesh Bottle

Pockets," Published on or before Dec. 28, 2017, Retrieved from the Internet: URL<[https://www.amazon.com/Agile-Life-Designs-Lunchbox-Insulated/dp/B073J35GDL/ref=sr\\_1\\_146\\_sspa?ie=UTF8&qid=1521850999&sr=8-146-spons&keywords=lunch+box&psc=1](https://www.amazon.com/Agile-Life-Designs-Lunchbox-Insulated/dp/B073J35GDL/ref=sr_1_146_sspa?ie=UTF8&qid=1521850999&sr=8-146-spons&keywords=lunch+box&psc=1)>. 9 pages.

(Continued)

*Primary Examiner* — Terry A Wallace

(74) *Attorney, Agent, or Firm* — Fish & Richardson P.C.

(57) **CLAIM**

The ornamental design for a cooler, as shown and described.

**DESCRIPTION**

FIG. 1 is a perspective view of my design for a cooler having a top and a body portion with the top and the top closure zipper in a closed position. The dashed broken lines in the drawings illustrate logos and a recessed design in the top handle and form no part of the claimed design.

FIG. 2 is a top view of the cooler in a closed position.

FIG. 3 is a bottom view of the cooler in a closed position.

FIG. 4 is a front view of the cooler in a closed position.

FIG. 5 is a rear view of the cooler in a closed position.

FIG. 6 is a right side view of the cooler in a closed position.

FIG. 7 is a left side view of the cooler in a closed position; and,

FIG. 8 is a perspective view of the cooler with the top and the top closure zipper in an open position.

The dashed broken lines in the drawings illustrate a logo and form no part of the claimed design.

The inside of the body portion of the cooler is not claimed as part of the design.

The surface shading and contour lines shown in the drawings represent the three-dimensional character and contour of the article, and are not intended to illustrate material, surface ornamentation or surface decoration.

The dashed broken lines in the drawings are for environmental structure and form no part of the claimed design.

**1 Claim, 4 Drawing Sheets**



- (58) **Field of Classification Search**  
 CPC ..... F25D 2331/804; F25D 2331/801; F25D  
 3/08; B65D 30/08; B65D 30/22; B65D  
 81/3858; B65D 81/3828; B65D 81/3888;  
 B65D 81/18; B65D 81/3897; B65D  
 31/04; B65D 53/00; B65D 69/00; B65D  
 8/18; A45C 11/20; A45C 13/02; A45F  
 3/02; A45F 3/12; A45F 3/14; A45F 3/04;  
 A45F 4/02

See application file for complete search history.

(56) **References Cited**

U.S. PATENT DOCUMENTS

D195,812 S 8/1963 James  
 3,225,983 A 12/1965 Majka  
 3,734,336 A 5/1973 Rankow et al.  
 3,905,526 A 9/1975 Tomatsuri  
 4,050,264 A 9/1977 Tanaka  
 4,119,248 A 10/1978 Butler et al.  
 4,334,601 A 6/1982 Davis  
 D279,346 S \* 6/1985 Ruxton ..... D7/321  
 4,537,313 A \* 8/1985 Workman ..... A47J 47/145  
 206/545  
 D284,333 S 6/1986 Huston  
 D284,623 S 7/1986 Gerch  
 D289,597 S 5/1987 Averitt  
 4,805,776 A \* 2/1989 Namgyal ..... A45C 3/00  
 206/523  
 D311,452 S 10/1990 Ehret  
 D311,476 S 10/1990 Kumakura  
 4,978,044 A 12/1990 Silver  
 D313,316 S 1/1991 Nordstrom  
 D340,387 S \* 10/1993 Melk ..... D3/289  
 D340,621 S 10/1993 Melk  
 D340,840 S 11/1993 Melk  
 5,329,787 A 7/1994 Friday  
 5,403,095 A 4/1995 Melk  
 5,421,172 A 6/1995 Jones  
 D361,665 S 8/1995 Izumi  
 D371,051 S 6/1996 Melk  
 D371,052 S \* 6/1996 Melk ..... D7/607  
 D371,907 S 7/1996 Cyr et al.  
 D371,942 S 7/1996 Lippincott et al.  
 D387,626 S 12/1997 Melk  
 D390,004 S 2/1998 Tawil  
 D403,161 S 12/1998 Lin  
 6,238,091 B1 \* 5/2001 Mogil ..... A45C 7/0077  
 383/110  
 D450,187 S 11/2001 King  
 D456,669 S \* 5/2002 Munari ..... D7/392.1  
 D461,633 S 8/2002 Guyon  
 D465,134 S \* 11/2002 Joss ..... D3/287  
 6,474,097 B2 11/2002 Treppedi et al.  
 D478,782 S 8/2003 Li  
 6,666,363 B2 12/2003 Godshaw et al.  
 D492,115 S 6/2004 Bertelsen et al.  
 7,162,890 B2 1/2007 Mogil et al.  
 D536,929 S \* 2/2007 Kingsley ..... D7/510  
 7,240,513 B1 7/2007 Conforti  
 D548,082 S \* 8/2007 Kingsley ..... D9/500  
 D573,422 S \* 7/2008 Tagliati ..... D3/287  
 D575,059 S 8/2008 Cappiello  
 7,540,363 B2 6/2009 Tonelli  
 7,669,436 B2 \* 3/2010 Mogil ..... A45C 11/20  
 62/457.7  
 7,730,739 B2 \* 6/2010 Fuchs ..... A45C 11/20  
 62/457.7  
 D620,707 S 8/2010 Magil  
 D626,416 S \* 11/2010 Cresswell ..... D7/510  
 D628,382 S 12/2010 Niehaus et al.  
 D635,457 S \* 4/2011 Lane ..... D7/511  
 D636,184 S 4/2011 Scicluna et al.  
 D637,809 S 5/2011 Meldeau  
 8,043,004 B2 \* 10/2011 Mogil ..... A45C 5/02  
 206/541

D662,360 S \* 6/2012 George ..... D7/510  
 8,191,747 B2 6/2012 Pruchnicki  
 D668,913 S \* 10/2012 Mayer ..... D7/510  
 8,327,659 B2 12/2012 Winkler et al.  
 D673,994 S 1/2013 Geller  
 8,348,510 B2 1/2013 Mogil  
 D691,796 S 10/2013 Stewart  
 D692,661 S 11/2013 Gupton  
 D695,568 S 12/2013 Hayes  
 D708,954 S \* 7/2014 Barnes ..... D7/511  
 8,899,071 B2 12/2014 Mogil et al.  
 D722,233 S 2/2015 Inskeep  
 D724,318 S 3/2015 Myer  
 D725,900 S 4/2015 McCue et al.  
 D726,407 S 4/2015 Kuster  
 D730,043 S 5/2015 Morelli  
 D732,899 S 6/2015 Seiders et al.  
 9,078,501 B2 7/2015 Johnson  
 D752,347 S 3/2016 Seiders et al.  
 D762,384 S \* 8/2016 Boroski ..... D3/283  
 9,408,445 B2 8/2016 Mogil et al.  
 D768,378 S 10/2016 Schilp  
 9,491,994 B2 11/2016 Sherr  
 D786,559 S 5/2017 Seiders et al.  
 D786,560 S 5/2017 Seiders et al.  
 D786,561 S 5/2017 Seiders et al.  
 D786,562 S 5/2017 Seiders et al.  
 D797,454 S 9/2017 Seiders et al.  
 D797,455 S 9/2017 Seiders et al.  
 D800,444 S 10/2017 Burton et al.  
 D805,851 S 12/2017 Sullivan et al.  
 D808,655 S 1/2018 Seiders et al.  
 D808,730 S 1/2018 Sullivan et al.  
 D815,496 S 4/2018 Larson et al.  
 D829,244 S 9/2018 Sullivan et al.  
 D835,473 S 12/2018 Jacobsen  
 D835,950 S 12/2018 Jacobsen  
 D836,999 S 1/2019 Jacobsen  
 D837,000 S 1/2019 Jacobsen  
 D837,001 S 1/2019 Jacobsen  
 D840,761 S 2/2019 Seiders et al.  
 D840,762 S 2/2019 Seiders et al.  
 D840,763 S 2/2019 Seiders et al.  
 D840,764 S 2/2019 Seiders et al.  
 D859,934 S 9/2019 Seiders et al.  
 D862,177 S 10/2019 Seiders et al.  
 D862,528 S 10/2019 Sullivan et al.  
 2005/0205459 A1 \* 9/2005 Mogil ..... A45C 11/20  
 206/545  
 2006/0254952 A1 11/2006 Trevino et al.  
 2007/0237432 A1 \* 10/2007 Mogil ..... A45C 7/0077  
 383/38  
 2007/0261977 A1 \* 11/2007 Sakai ..... A01K 97/06  
 206/315.11  
 2009/0049859 A1 \* 2/2009 Moon ..... A45C 11/20  
 62/457.7  
 2010/0059199 A1 \* 3/2010 Court ..... A47C 7/742  
 165/46  
 2010/0320248 A1 12/2010 Uimonen  
 2011/0182532 A1 \* 7/2011 Baltus ..... A45C 3/001  
 383/109  
 2011/0186585 A1 \* 8/2011 Lu ..... A47J 41/00  
 220/575  
 2012/0145720 A1 6/2012 Hicks  
 2013/0140120 A1 \* 6/2013 Rasmussen ..... A45C 7/005  
 190/109  
 2013/0188892 A1 7/2013 Bevier  
 2013/0216158 A1 8/2013 Meldeau et al.  
 2016/0029764 A1 2/2016 Hayashi  
 2016/0101924 A1 \* 4/2016 Mitchell ..... A45C 7/0077  
 220/592.2

OTHER PUBLICATIONS

'amazon.com' [online]. "ALOPEX Insulated Lunch Bag Cooler Bag Large Pocket Adjustable Strap With Ice Pack (Red, 12CAN)," Published on or before Dec. 28, 2017, Retrieved from the Internet: URL-<<https://www.amazon.com/ALOPEX-Insulated-Cooler-Pocket->







(56)

**References Cited**

## OTHER PUBLICATIONS

the Internet: URL<[https://www.amazon.com/UtoteBag-Insulated-Leakproof-Removable-Multipocket/dp/B073TYDYT4/ref=sr\\_1\\_237?ie=UTF8&qid=1521854971&sr=8-237&keywords=lunch+cooler](https://www.amazon.com/UtoteBag-Insulated-Leakproof-Removable-Multipocket/dp/B073TYDYT4/ref=sr_1_237?ie=UTF8&qid=1521854971&sr=8-237&keywords=lunch+cooler)>. 7 pages.

'amazon.com' [online]. "Utotebag Lunch Box Insulated Lunch Bag Cooler Bag 22cans Capacity Leakproof Tote Bag Shoulder Bag With Removable Strap Multi-pocket Outdoor for Family Beach Trip Picnic Hiking (Grey)," Published on or before Dec. 28, 2017, Retrieved from the Internet: URL<[https://www.amazon.com/Utotebag-Insulated-Leakproof-Removable-Multi-pocket/dp/B073TYL9QZ/ref=sr\\_1\\_272?ie=UTF8&qid=1521958453&sr=8-272&keywords=soft+side+cooler](https://www.amazon.com/Utotebag-Insulated-Leakproof-Removable-Multi-pocket/dp/B073TYL9QZ/ref=sr_1_272?ie=UTF8&qid=1521958453&sr=8-272&keywords=soft+side+cooler)>. 6 pages.

'amazon.com' [online]. "Water Proof 30 Can Large Insulated Lunch Box Cooler Bag ROMANTICIST Reusable Foldable Thermal Grocery Tote Bag with handle, Blue," Published on or before Dec. 28, 2017, Retrieved from the Internet: URL<[https://www.amazon.com/Insulated-ROMANTICIST-Reusable-Foldable-Thermal/dp/B01M7XM3YJ/ref=sr\\_1\\_238?ie=UTF8&qid=1521955034&sr=8-238&keywords=lunch+box+cooler](https://www.amazon.com/Insulated-ROMANTICIST-Reusable-Foldable-Thermal/dp/B01M7XM3YJ/ref=sr_1_238?ie=UTF8&qid=1521955034&sr=8-238&keywords=lunch+box+cooler)>. 8 pages.

'amazon.com' [online]. "YOUCOO Duffel Bag for Women & Men—Foldable lightweight Duffel for Luggage Gym Sports," Published on or before Dec. 28, 2017, Retrieved from the Internet: URL<[https://www.amazon.com/YOUCOO-Duffel-Bag-Women-Men/dp/B077S2J951/ref=sr\\_1\\_264?ie=UTF8&qid=1521056374&sr=8-264&keywords=bag+with+handle+wrap](https://www.amazon.com/YOUCOO-Duffel-Bag-Women-Men/dp/B077S2J951/ref=sr_1_264?ie=UTF8&qid=1521056374&sr=8-264&keywords=bag+with+handle+wrap)>. 5 pages.

'dickssportinggoods.com' [online]. "Igloo Ringleader 24 Can Square Cooler," Published on or before Dec. 28, 2017, Retrieved from the Internet: URL<<https://www.dickssportinggoods.com/p/igloo-ringleader-24-can-square-cooler-17iglurnglldr24cnsodr/17iglurnglldr24cnsodr>>. 5 pages.

'dickssportinggoods.com' [online]. "Igloo Ringleader 36 Can Square Cooler," Published on or before Dec. 28, 2017, Retrieved from the Internet: URL<<https://www.dickssportinggoods.com/p/igloo-ringleader-36-can-square-cooler-17iglurnglldr36cnsodr/17iglurnglldr36cnsodr>>. 3 pages.

'llbean.com' [online]. "Adventure Pro Tote," Published on or before Dec. 28, 2017, Retrieved from the Internet: URL<<https://www.llbean.com/llb/shop/116124?feat=677-plalander>>. 5 pages.

'llbean.com' [online]. "Field Canvas Duffel," Published on or before Dec. 28, 2017, Retrieved from the Internet: URL<<https://www.llbean.com/llb/shop/81523?feat=904-GN3&page=field-canvas-duffle&csp=f>>. 6 pages.

U.S. Appl. No. 29/631,396, filed Dec. 29, 2017, Jacobsen.

U.S. Appl. No. 29/631,400, filed Dec. 29, 2017, Jacobsen.

U.S. Appl. No. 29/631,409, filed Dec. 29, 2017, Jacobsen.

U.S. Appl. No. 29/631,402, filed Dec. 29, 2017, Jacobsen.

U.S. Appl. No. 29/631,410, filed Dec. 29, 2017, Jacobsen.

U.S. Appl. No. 29/631,413, filed Dec. 29, 2017, Jacobsen.

U.S. Appl. No. 29/657,169, filed Jul. 19, 2018, Jacobsen.

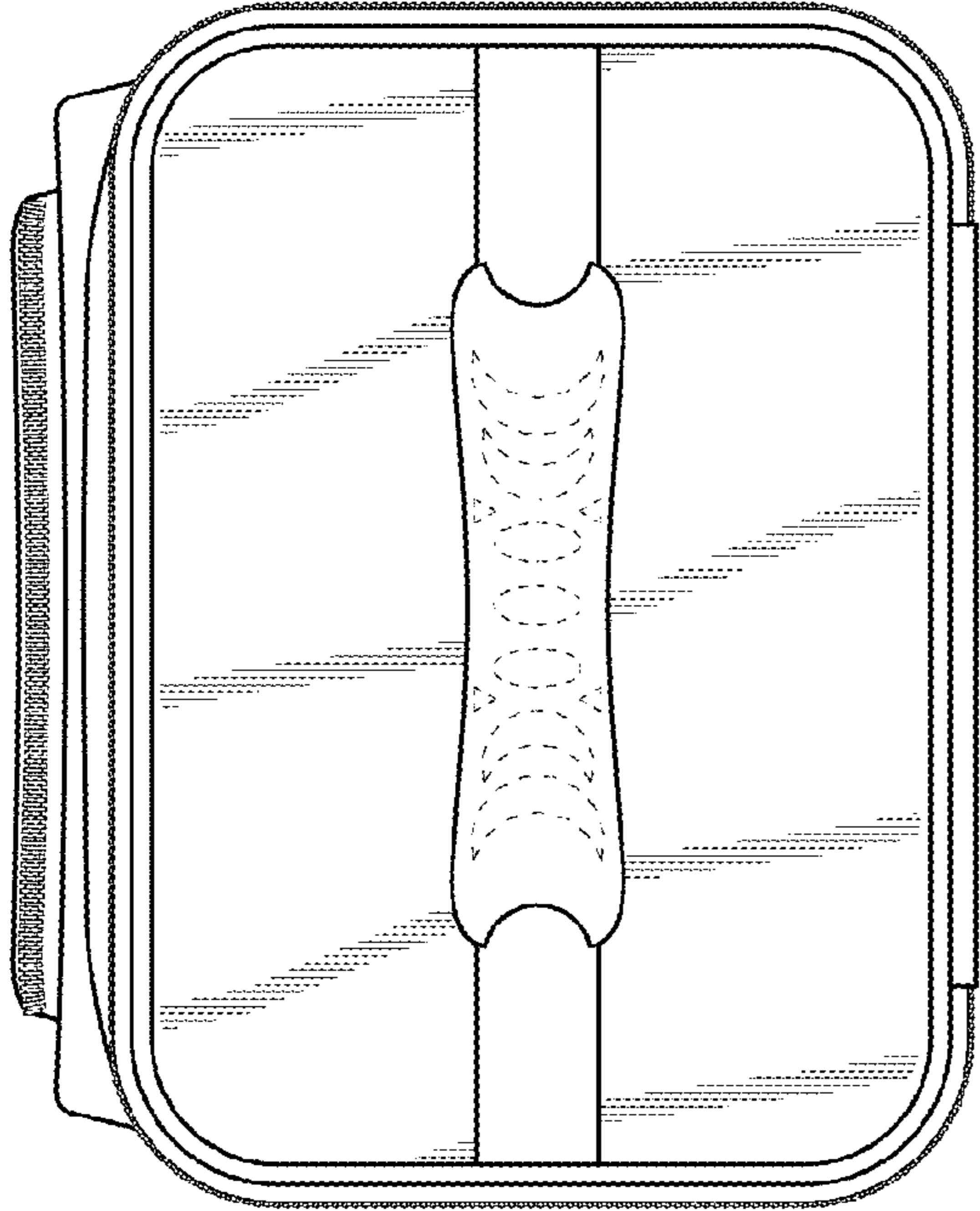
U.S. Appl. No. 29/674,469, filed Dec. 21, 2019, Jacobsen.

U.S. Appl. No. 29/674,518, filed Dec. 21, 2018, Jacobsen.

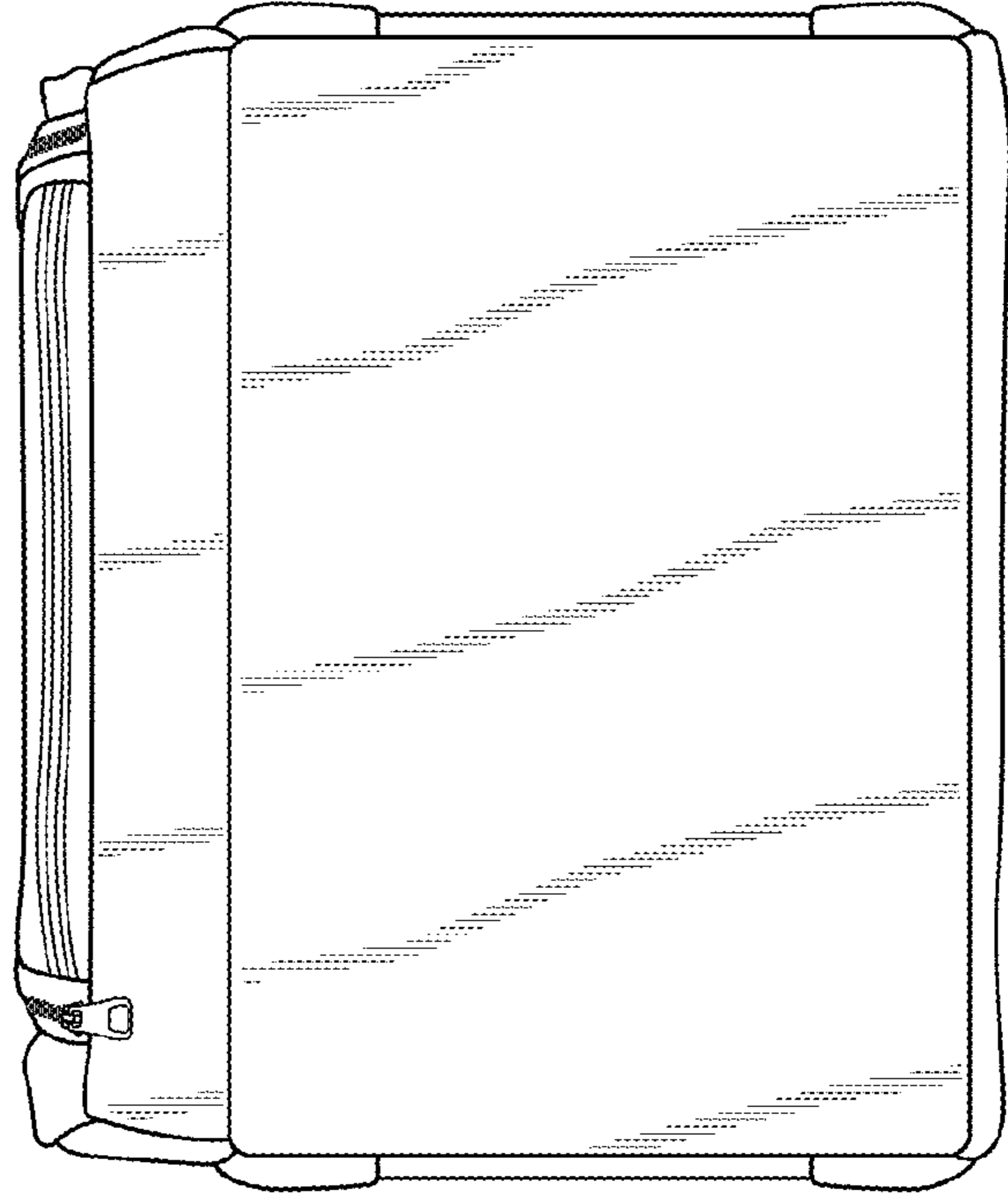
U.S. Appl. No. 29/667,270, filed Oct. 19, 2018, Jacobsen.

\* cited by examiner

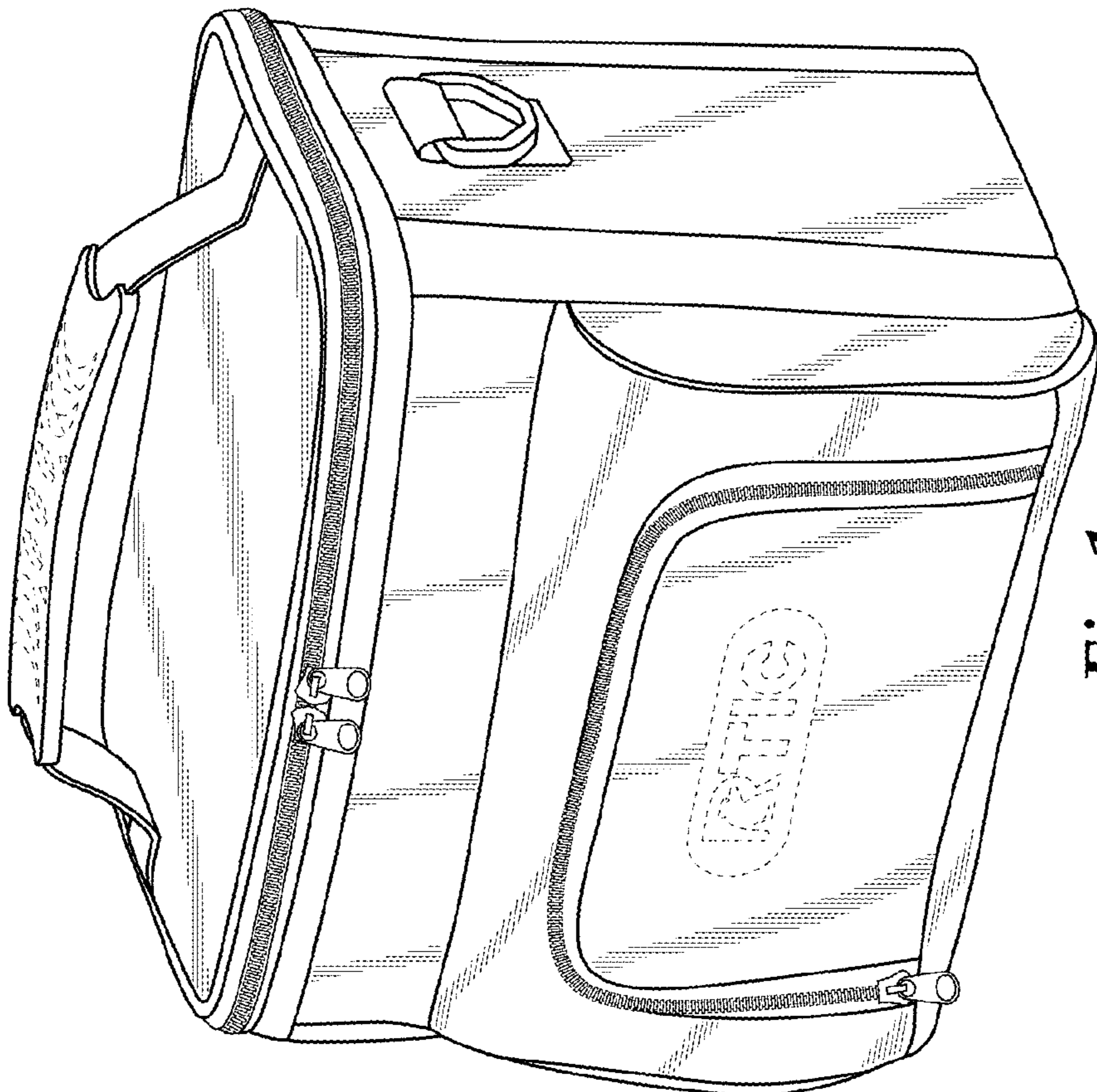
*Fig.2*

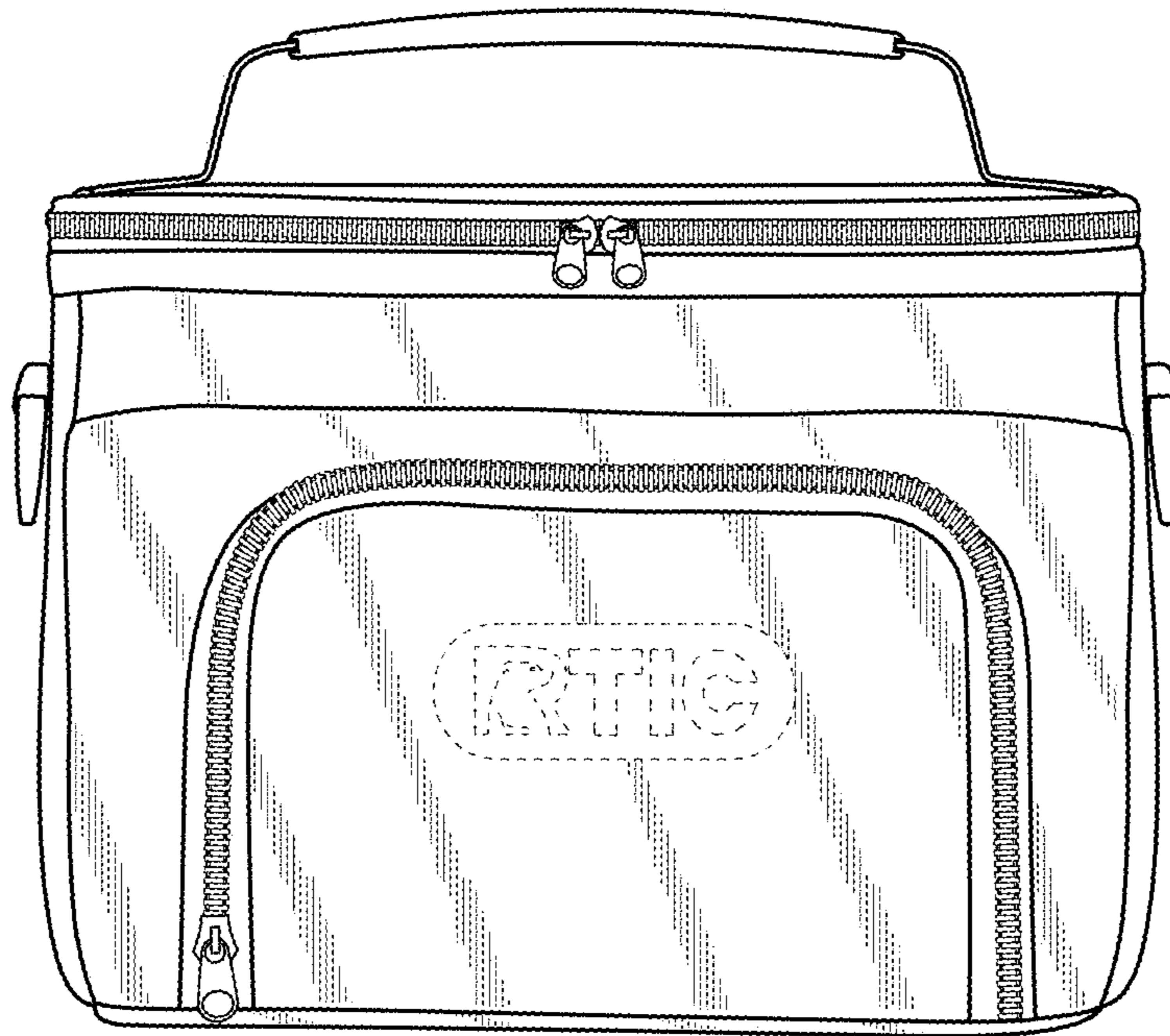


*Fig.3*

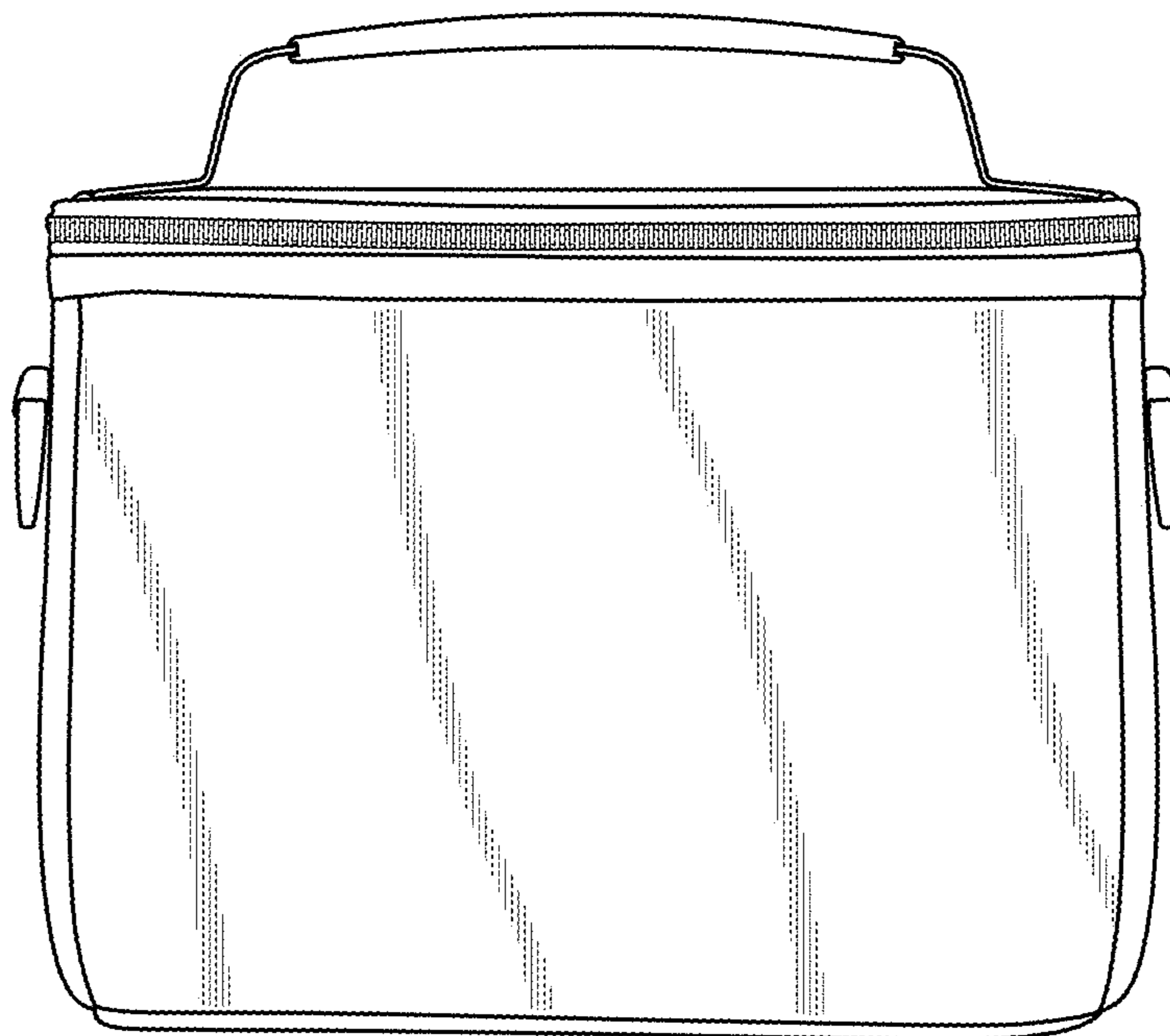


*Fig.1*



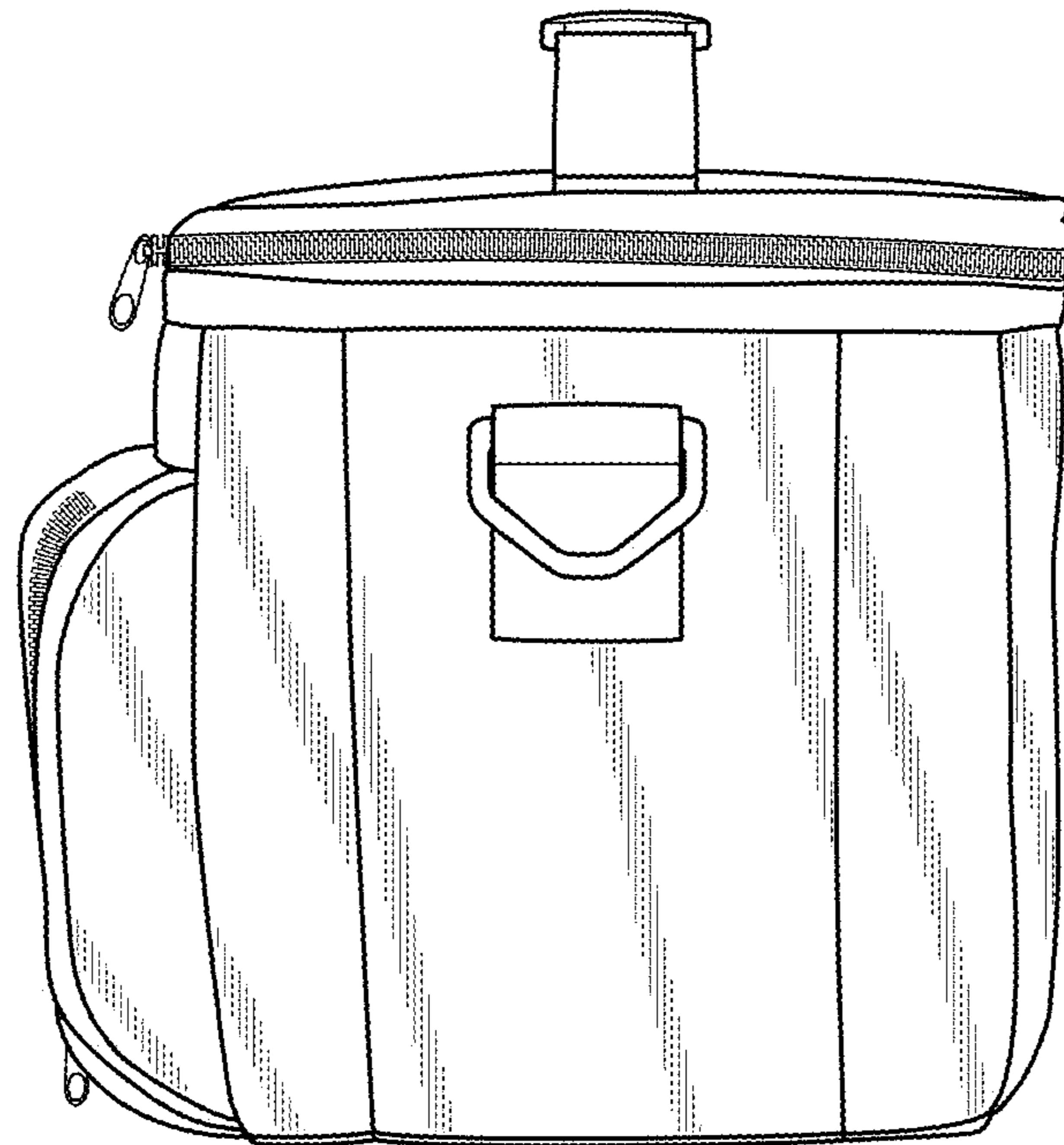


*Fig.4*

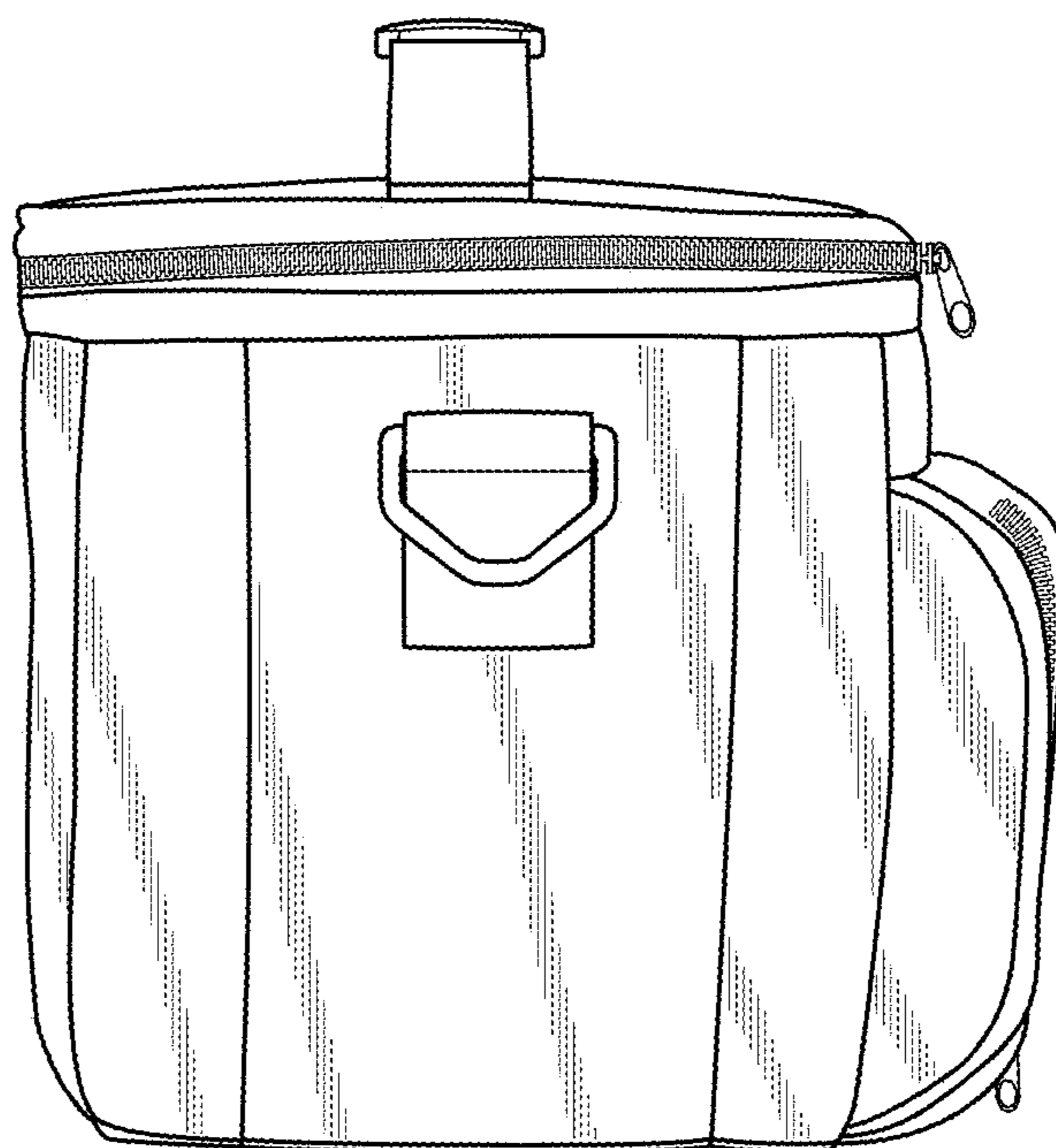


*Fig.5*





*Fig.6*



*Fig.7*



*Fig.8*