



US00D873089S

(12) **United States Design Patent**
Gillespie

(10) **Patent No.:** **US D873,089 S**

(45) **Date of Patent:** **** Jan. 21, 2020**

(54) **INSULATED SLEEVE**

(71) Applicant: **Juliane Woodward Gillespie**,
Cleveland, OH (US)

(72) Inventor: **Juliane Woodward Gillespie**,
Cleveland, OH (US)

(73) Assignee: **GETCO Inc.**, Cleveland, OH (US)

(**) Term: **15 Years**

(21) Appl. No.: **29/595,636**

(22) Filed: **Mar. 1, 2017**

(51) **LOC (12) Cl.** **07-01**

(52) **U.S. Cl.**
USPC **D7/607; D7/608**

(58) **Field of Classification Search**
USPC D7/601, 605, 607, 608
CPC B65D 81/389; B65D 85/78
See application file for complete search history.

(56) **References Cited**

U.S. PATENT DOCUMENTS

3,559,798	A *	2/1971	Jacobsen	A45C 11/04 206/5
D299,202	S *	1/1989	Corcoran	D3/303
5,067,922	A *	11/1991	McMahon	A63H 33/18 215/13.1
D396,780	S *	8/1998	Villarreal, Jr.	D7/608
D430,720	S *	9/2000	Williamson	D1/105
6,634,390	B2 *	10/2003	Toth	F16L 59/024 138/146
D533,348	S *	12/2006	Andre	D3/303
D543,790	S *	6/2007	Szymanski	D7/607
D591,563	S *	5/2009	Johnson	D7/624.2
D602,773	S *	10/2009	Lendzyk	D7/607
D629,259	S *	12/2010	Joy	D7/607
D630,408	S *	1/2011	Santoro	D1/105
D640,013	S *	6/2011	Lewis	D29/120.1
D693,536	S *	11/2013	Weber	D1/105

D701,433	S *	3/2014	Ahlstrom	D7/608
2005/0281928	A1 *	12/2005	Crowley	A23G 9/503 426/393
2007/0009187	A1 *	1/2007	Adamo	A01N 1/00 383/41

(Continued)

OTHER PUBLICATIONS

Etsy, Shop: AmysRedThreads, "Set of 4 Popsicle Holder . . . ",
photographed review dated Aug. 27, 2016. ([https://www.etsy.com/
listing/277036644/set-of-4-popsicle-holder-eco-friendly](https://www.etsy.com/listing/277036644/set-of-4-popsicle-holder-eco-friendly))(Year: 2016).*

(Continued)

Primary Examiner — April Rivas

(74) *Attorney, Agent, or Firm* — Fay Sharpe LLP

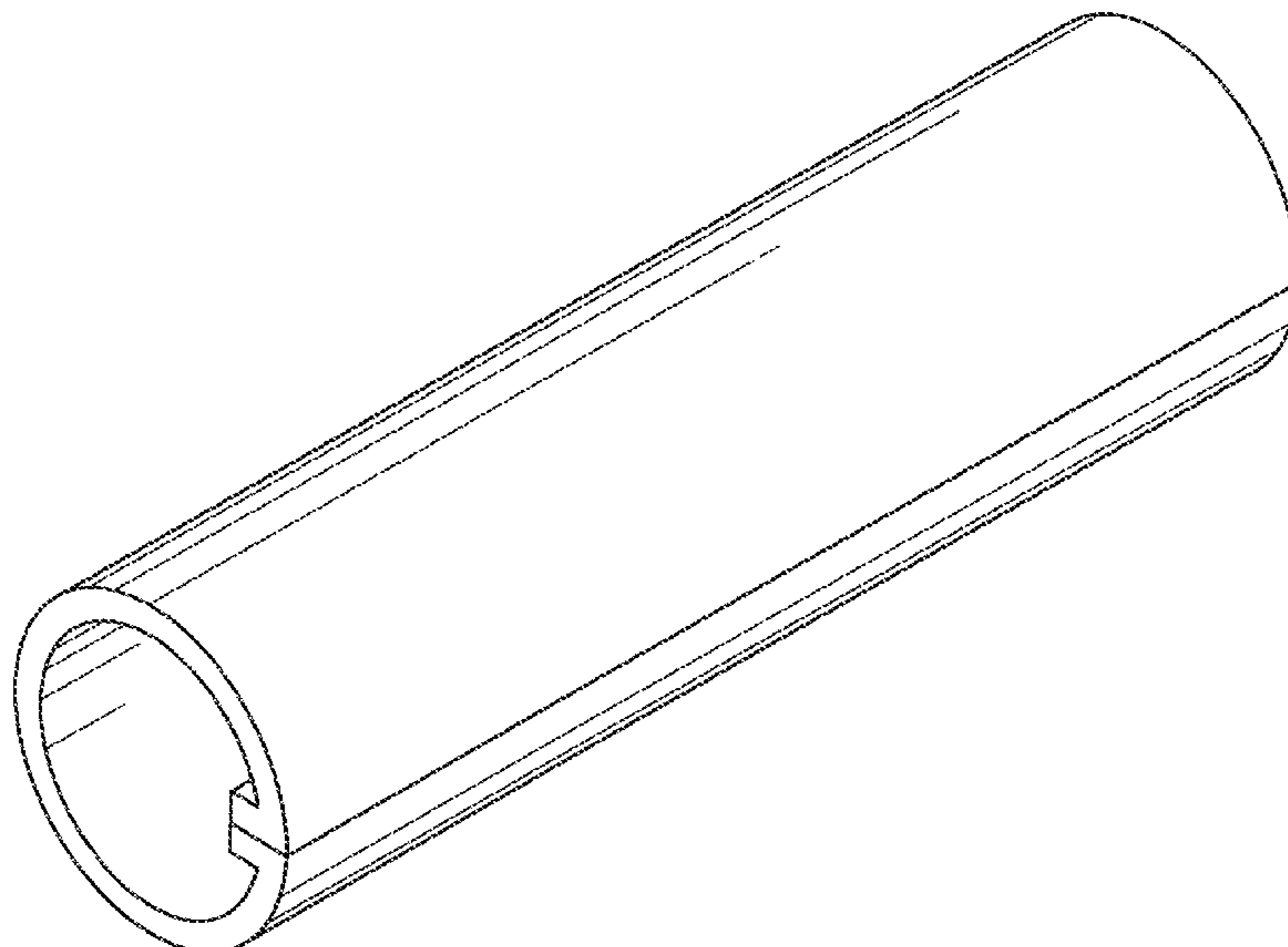
(57) **CLAIM**

The ornamental design for an insulated sleeve, as shown and
described.

DESCRIPTION

FIG. 1 is a perspective view of the insulated sleeve;
FIG. 2 is a front end view thereof, the opposite side being a
mirror image thereof;
FIG. 3 is a right side view thereof;
FIG. 4 is a left side view thereof; and
FIG. 5 is a top plan view thereof, the opposite side being a
mirror image thereof.
FIG. 6 is a perspective view of the insulated sleeve in an
inverted orientation;
FIG. 7 is a front end view thereof, the opposite side being a
mirror image thereof;
FIG. 8 is a right side view thereof;
FIG. 9 is a left side view thereof;
FIG. 10 is a bottom plan view thereof; and,
FIG. 11 is a top plan view thereof.
The broken lines illustrate portions of the insulated sleeve
and form no part of the claimed design.

1 Claim, 11 Drawing Sheets



(56)

References Cited

U.S. PATENT DOCUMENTS

2009/0032544 A1* 2/2009 Boyer B65D 81/389
220/739
2009/0200323 A1* 8/2009 Nesbitt B65D 81/3888
220/739

OTHER PUBLICATIONS

Hurley's Happy Hangout Blog, "Homemade Felt Ice Pop Holders",
Posted Jun. 18, 2012. (<http://hurleythurston.blogspot.com/2012/06/homemade-felt-ice-pop-holders.html>) (Year: 2012).*

Amazon, "Huggy Pop (5, red, pink, grey)", first for sale Mar. 1,
2018. (<https://www.amazon.com/Huggy-Pop-red-pink-grey/dp/B07B5FVRXH>) (Year: 2018).*

Amazon, "6 Popsicle Holders | Quality Ice Pop Neoprene Insulation
Sleeves/Covers + 6 Fun Trendy Matching Wrist Bands", first on sale
Jul. 14, 2016. (<https://www.amazon.com/Popsicle-Holders-Neoprene-Insulation-Matching/dp/B01HBD9BBC>) (Year: 2016).*

* cited by examiner

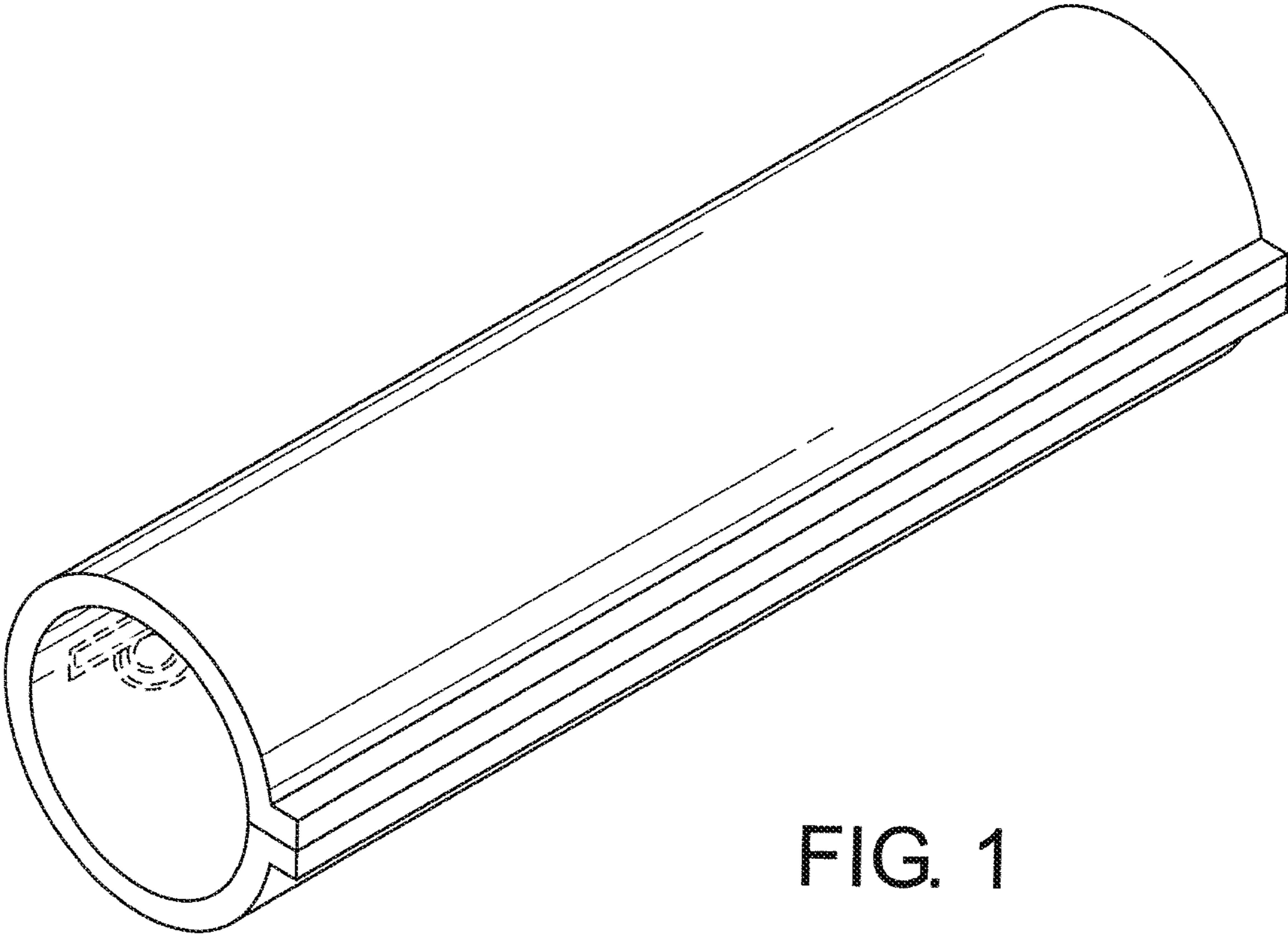


FIG. 1

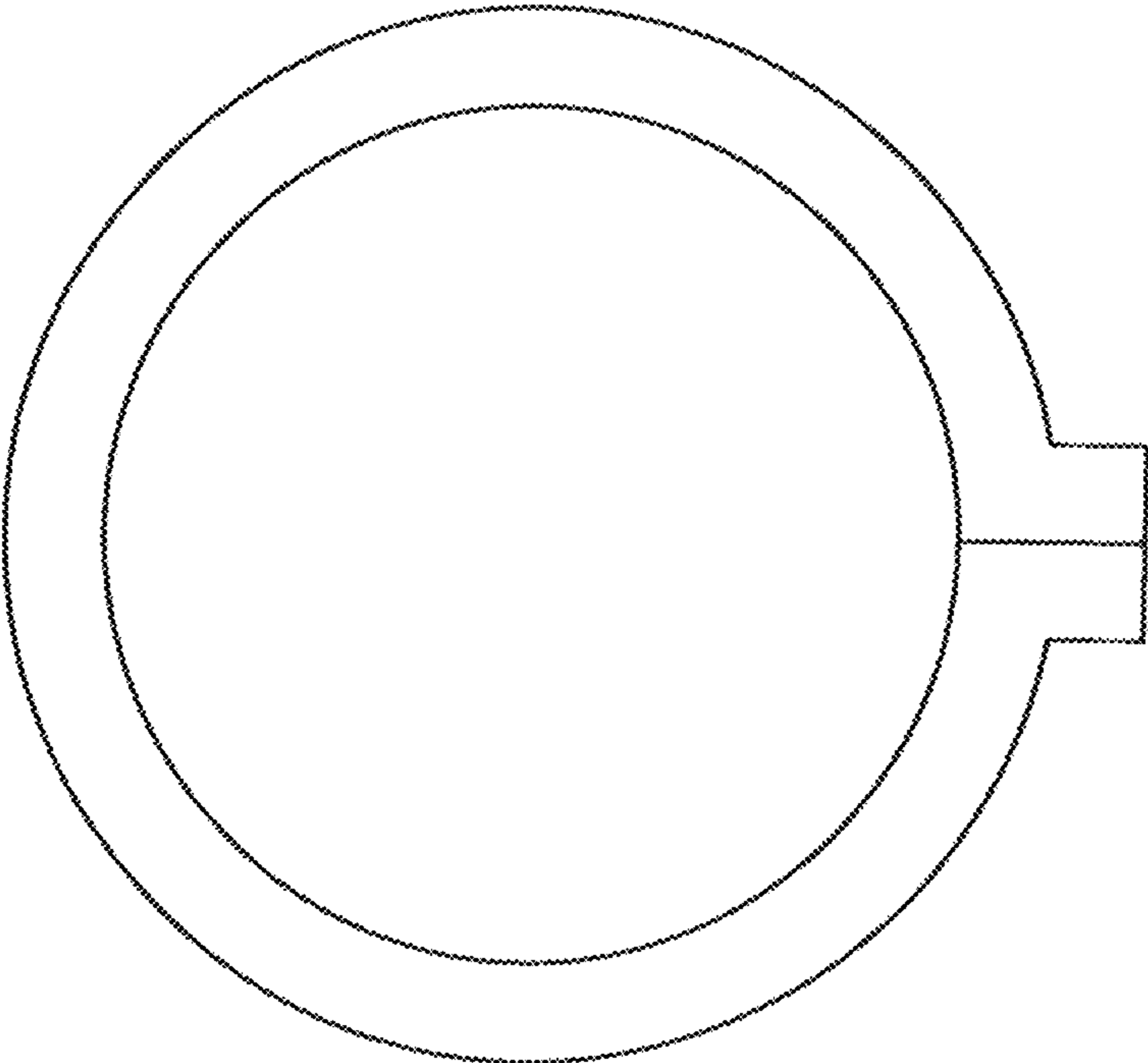


FIG. 2

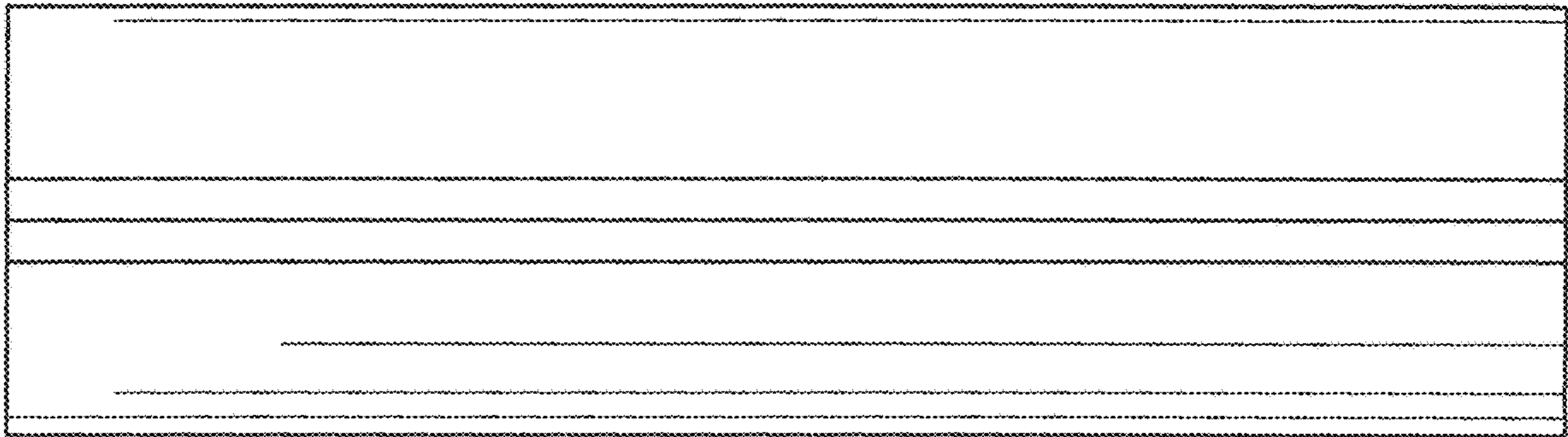


FIG. 3

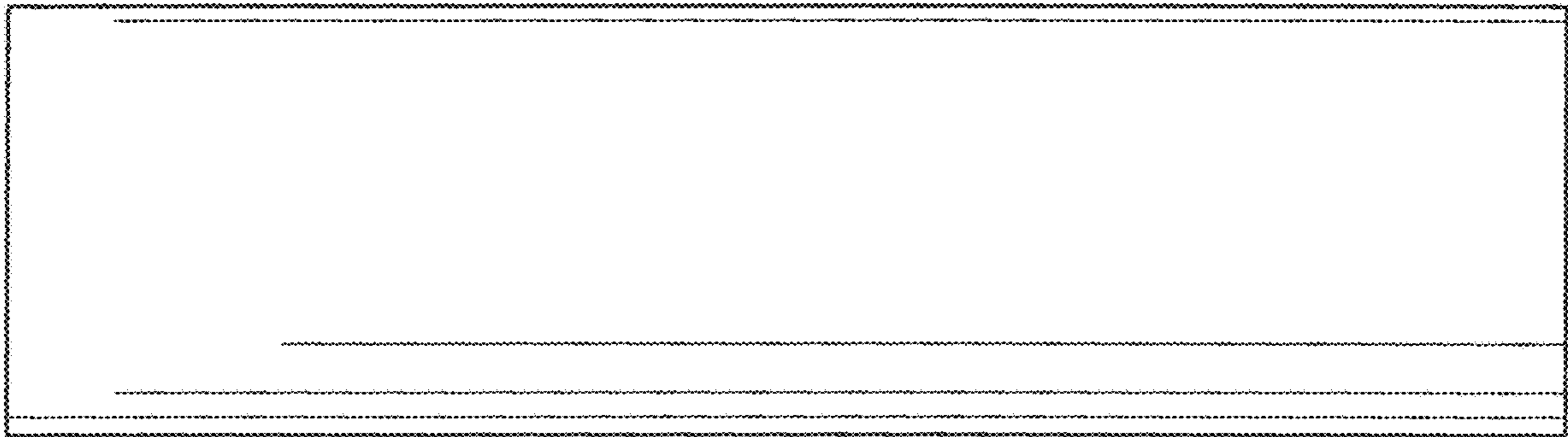


FIG. 4

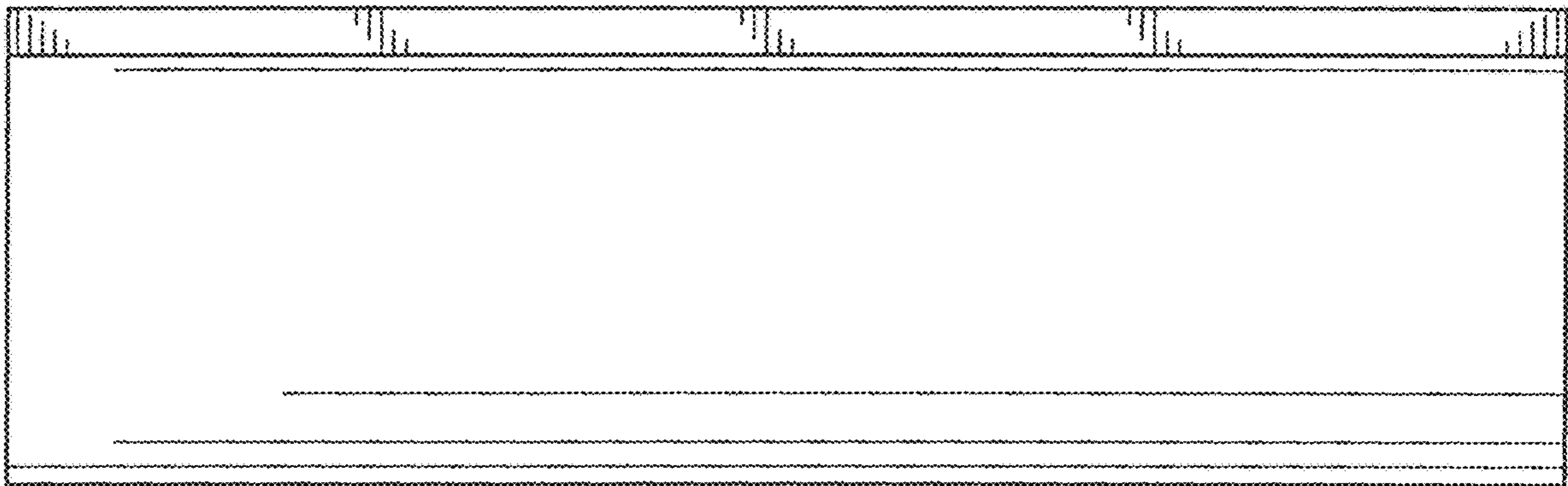


FIG. 5

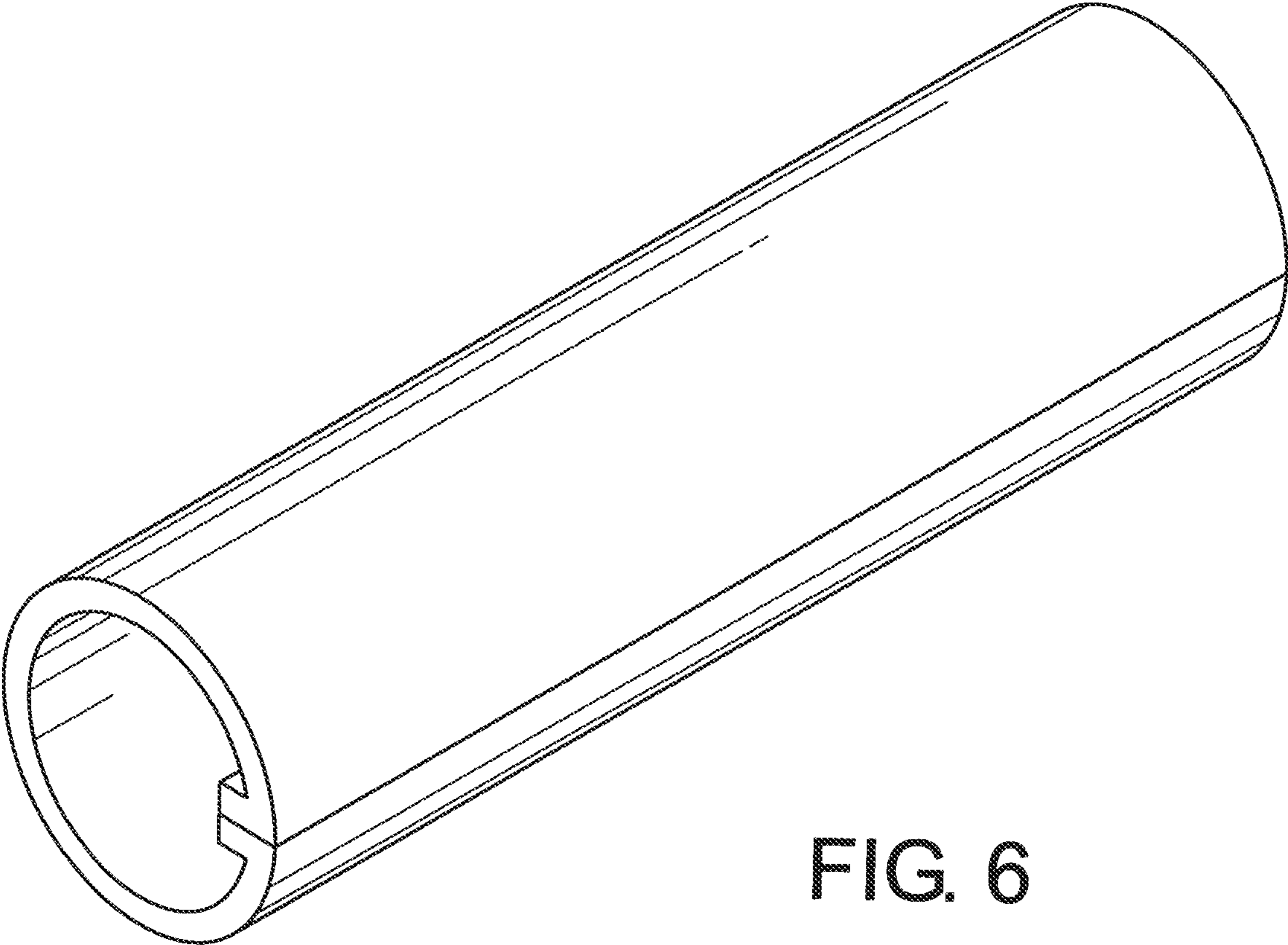


FIG. 6

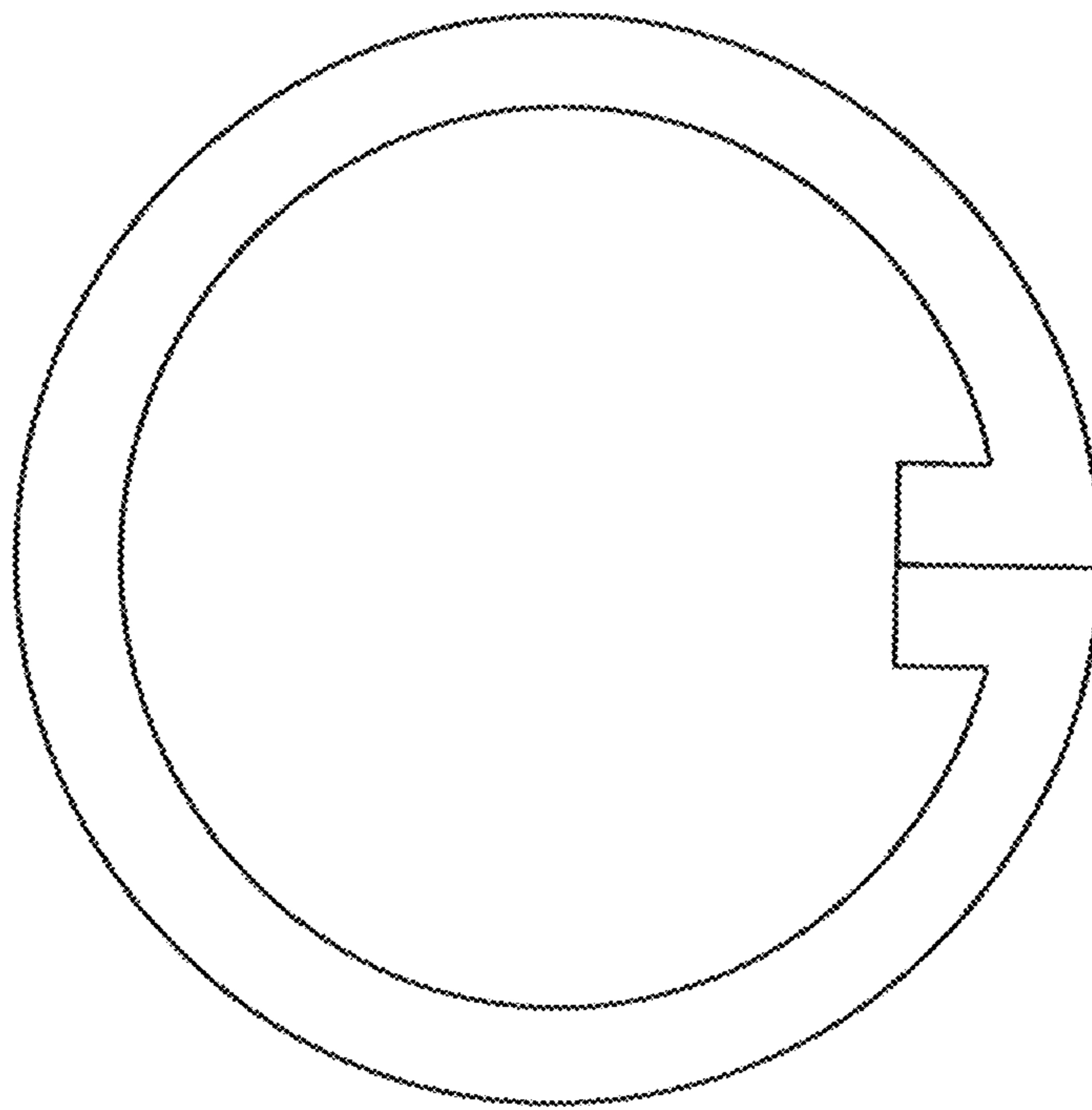


FIG. 7

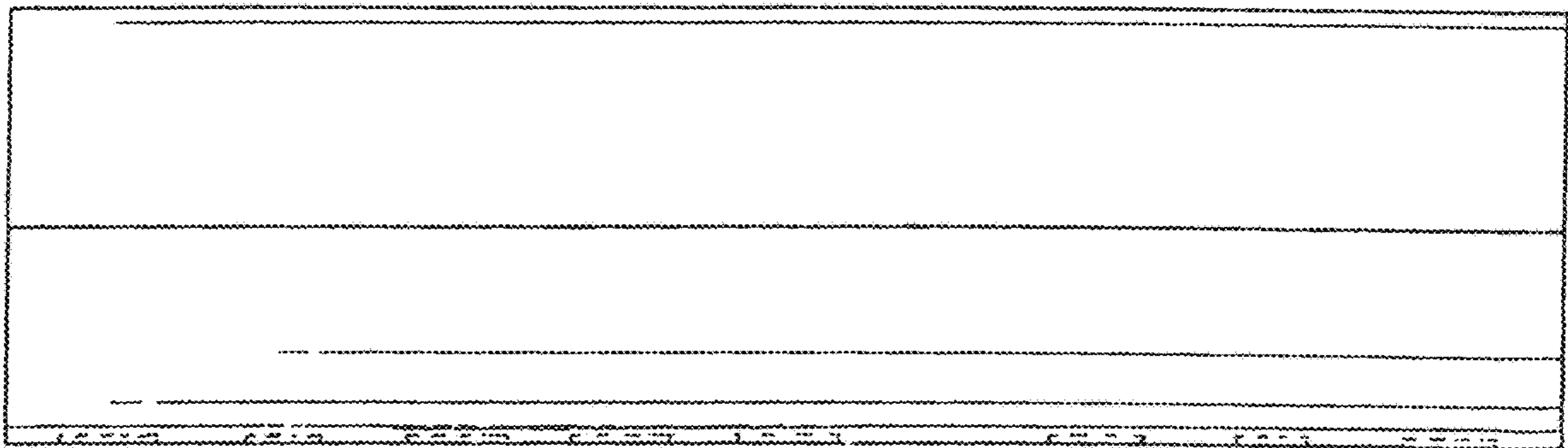


FIG. 8

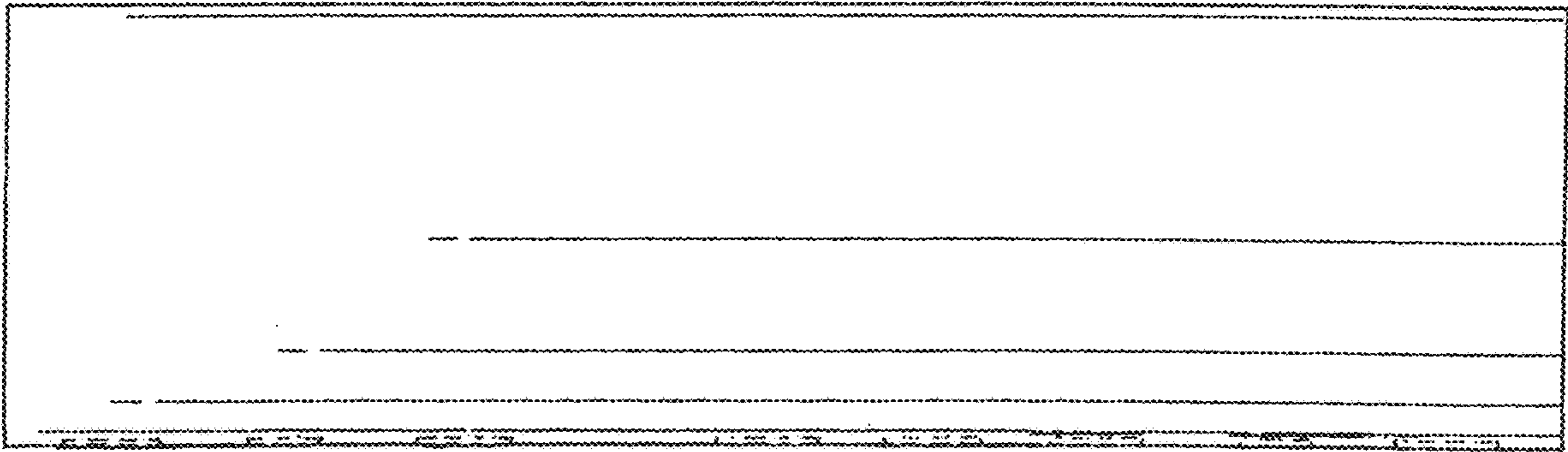


FIG. 9

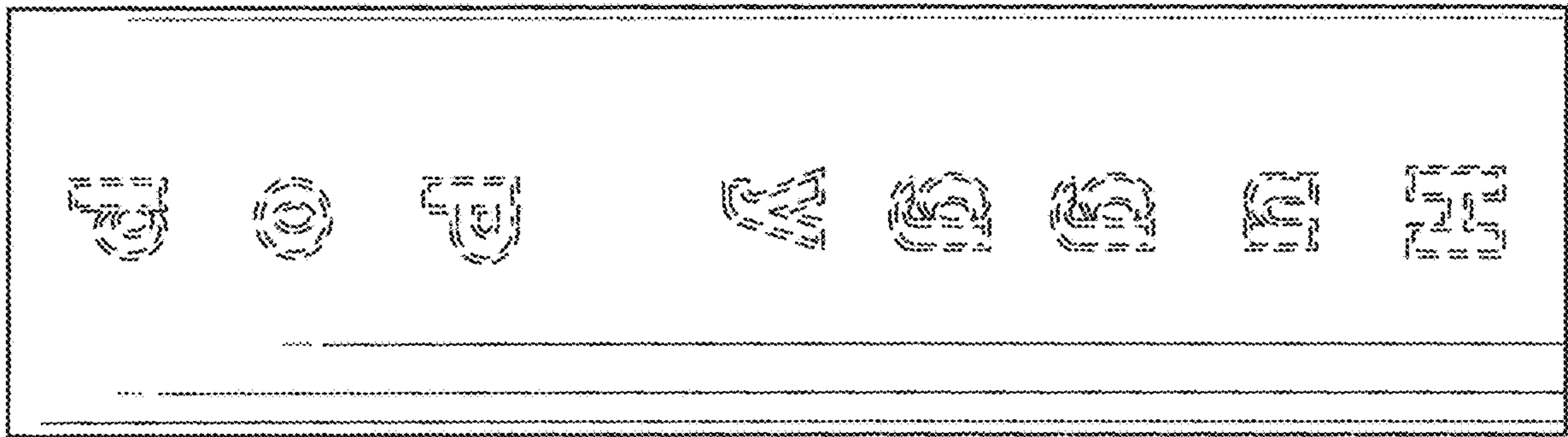


FIG. 10

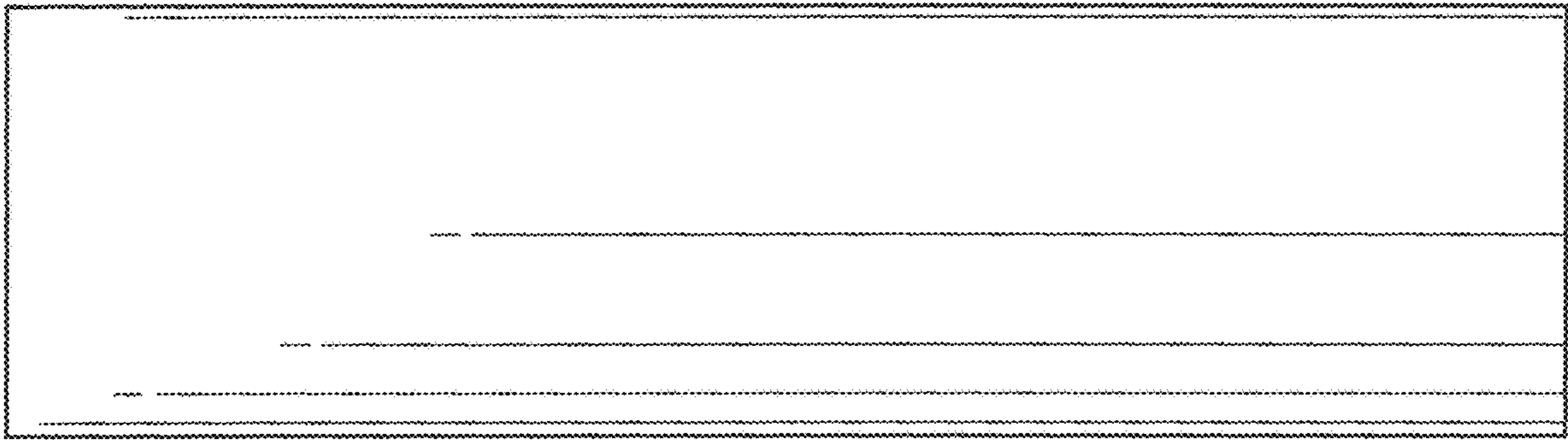


FIG. 11