



US00D873088S

(12) **United States Design Patent**
Lee et al.

(10) **Patent No.:** **US D873,088 S**
(45) **Date of Patent:** **** Jan. 21, 2020**

(54) **THERMAL INSULATED CUP WITH
DUAL-WELL DOCK**

(71) Applicants: **Frank D. Lee**, Hillsborough, CA (US);
Eric Dah Lee, Hillsborough, CA (US)

(72) Inventors: **Frank D. Lee**, Hillsborough, CA (US);
Eric Dah Lee, Hillsborough, CA (US)

(**) Term: **15 Years**

(21) Appl. No.: **29/660,811**

(22) Filed: **Aug. 22, 2018**

(51) **LOC (12) Cl.** **07-01**

(52) **U.S. Cl.**
USPC **D7/605; D7/624.1; D7/701**

(58) **Field of Classification Search**
USPC D7/603–608, 619.1–625, 701–708
CPC ... B60N 3/103; A47J 36/2472; A47J 36/2461;
A47J 36/2433; A47J 27/004; A47J
41/0094; A47G 19/2227; A47G 19/2272;
A47G 19/2288; A47G 19/22; A47G
2019/225; H01M 2/20; H01M 10/488;
H01M 2220/30; H02J 7/0013; H02J
7/0044; H02J 7/0047

See application file for complete search history.

(56) **References Cited**

U.S. PATENT DOCUMENTS

- 3,432,641 A * 3/1969 Welke A47J 36/2433
219/433
- 4,959,528 A * 9/1990 Malloy B60N 3/103
219/202
- 5,072,095 A * 12/1991 Hoffman A47J 36/2461
219/432
- 6,072,161 A * 6/2000 Stein A47G 19/2288
219/386
- 6,121,585 A * 9/2000 Dam A47G 19/2288
219/385

- D583,625 S * 12/2008 Martinez D7/505
- D652,680 S * 1/2012 Straka D7/300.1
- D702,086 S * 4/2014 Thurlow D7/510
- D729,584 S * 5/2015 Weston D7/510
- 10,383,476 B2 * 8/2019 Alexander A47J 41/0094
- 2009/0184102 A1 * 7/2009 Parker, Jr. A47J 36/2472
219/387
- 2010/0018982 A1 * 1/2010 Liu A47J 27/004
220/592.17

(Continued)

Primary Examiner — Terry A Wallace

(74) *Attorney, Agent, or Firm* — WHGC, P.L.C.; John F. O'Rourke

(57) **CLAIM**

The ornamental design for a thermal insulated cup with dual-well dock, as shown and described.

DESCRIPTION

This application is related to co-pending utility patent application, U.S. application Ser. No. 16/045,538, entitled, Thermal Insulated Mug with Dual Well Dock, filed Jul. 25, 2018.

FIG. 1 is a top/front perspective view of the complete assembly showing our new design;

FIG. 2 is a top/front perspective view of the complete assembly in an exploded configuration thereof;

FIG. 3 is a top/rear perspective view of the complete assembly in an exploded configuration thereof;

FIG. 4 is a bottom/front perspective view of the complete assembly in an exploded configuration thereof;

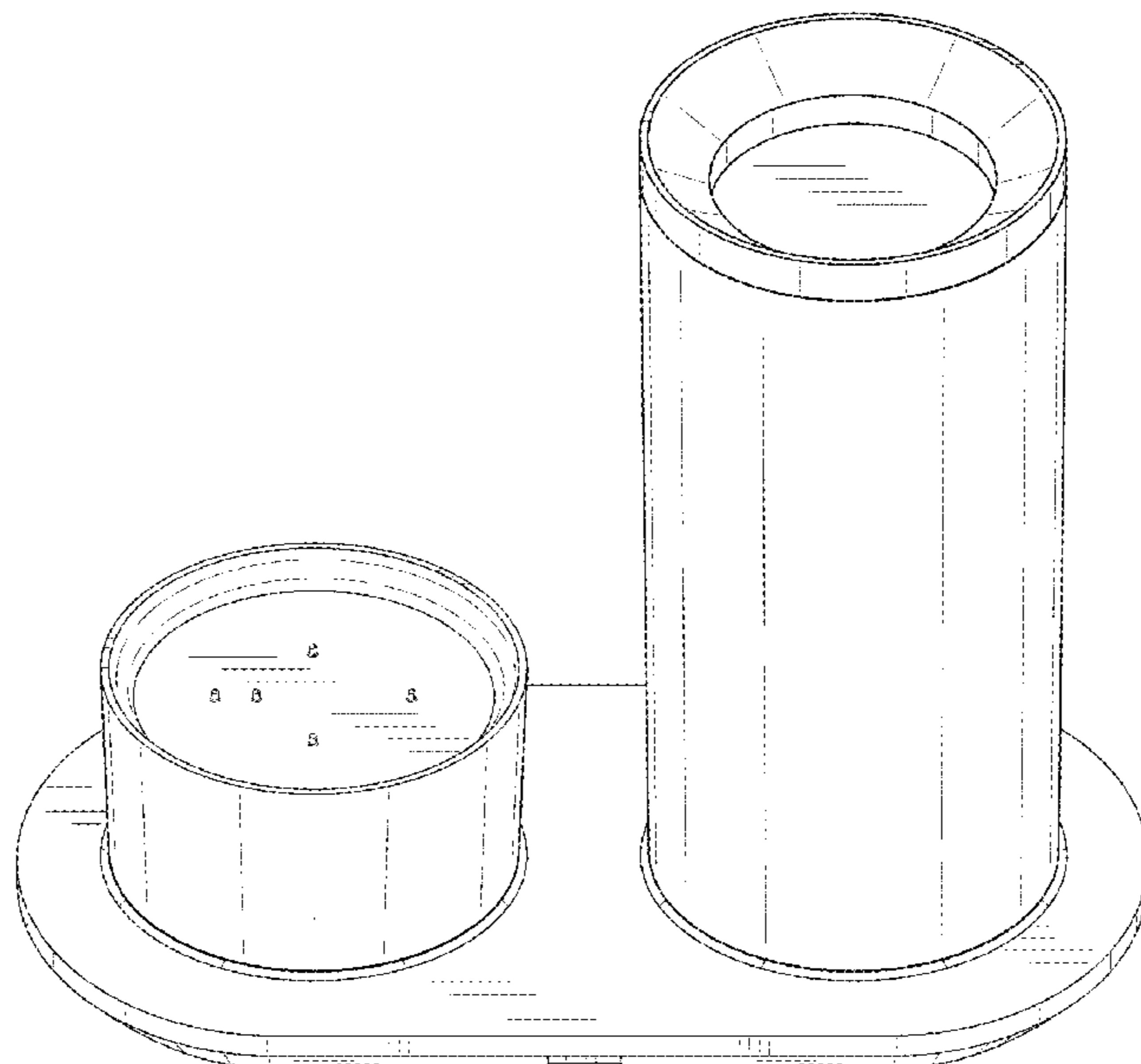
FIG. 5 is a bottom/rear perspective view of the complete assembly in an exploded configuration thereof;

FIG. 6 is a right-side elevation view of the complete assembly in an exploded configuration thereof;

FIG. 7 is a left-side elevation view of the complete assembly in an exploded configuration thereof; and,

FIG. 8 is a top/front perspective view of a complete assembly in an alternative configuration.

1 Claim, 8 Drawing Sheets



(56)

References Cited

U.S. PATENT DOCUMENTS

2014/0008311 A1* 1/2014 Weston B01D 29/0072
210/808
2014/0361002 A1* 12/2014 Cable A47J 36/2472
219/435
2018/0238536 A1* 8/2018 Xia A47G 19/22

* cited by examiner

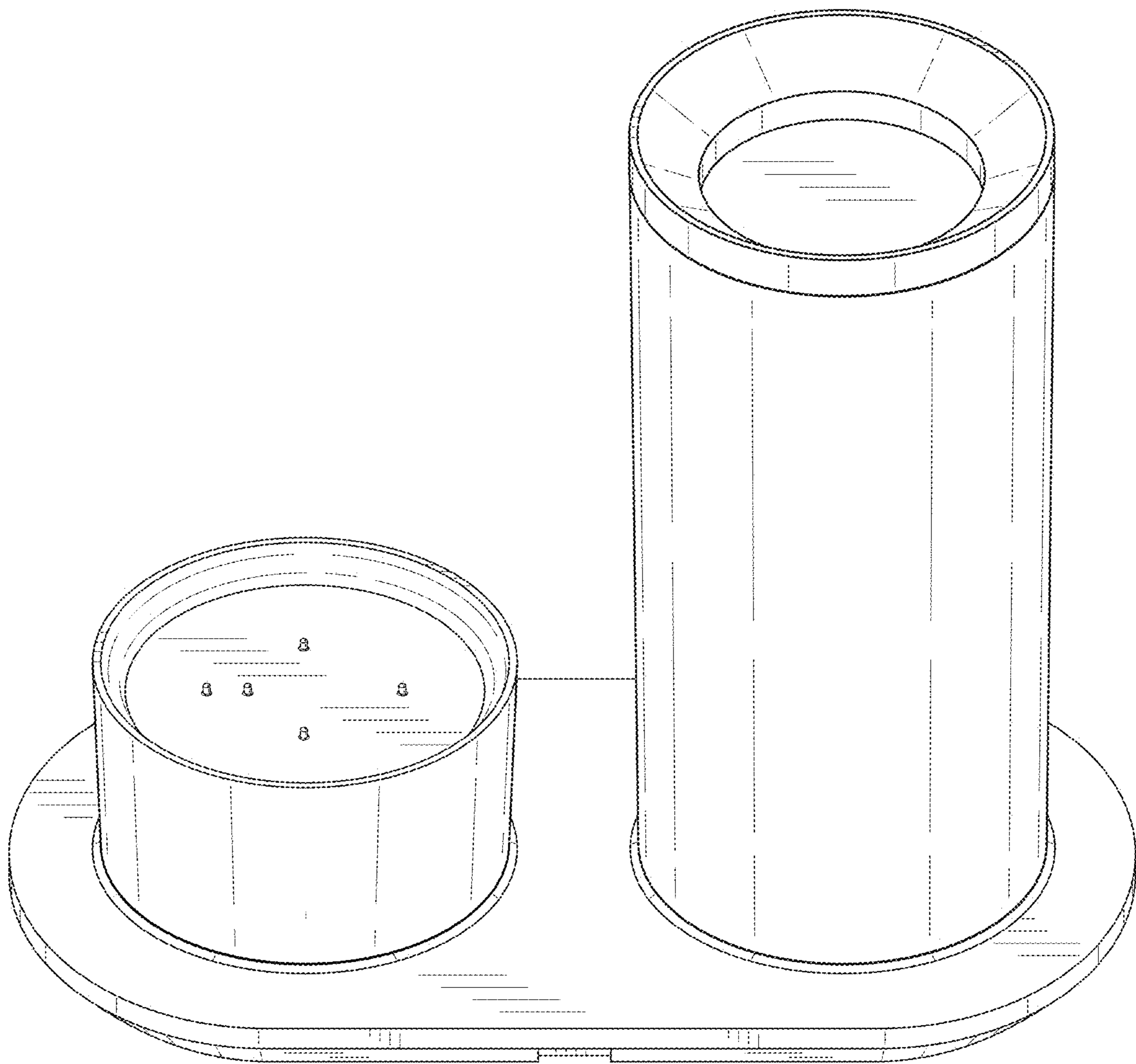
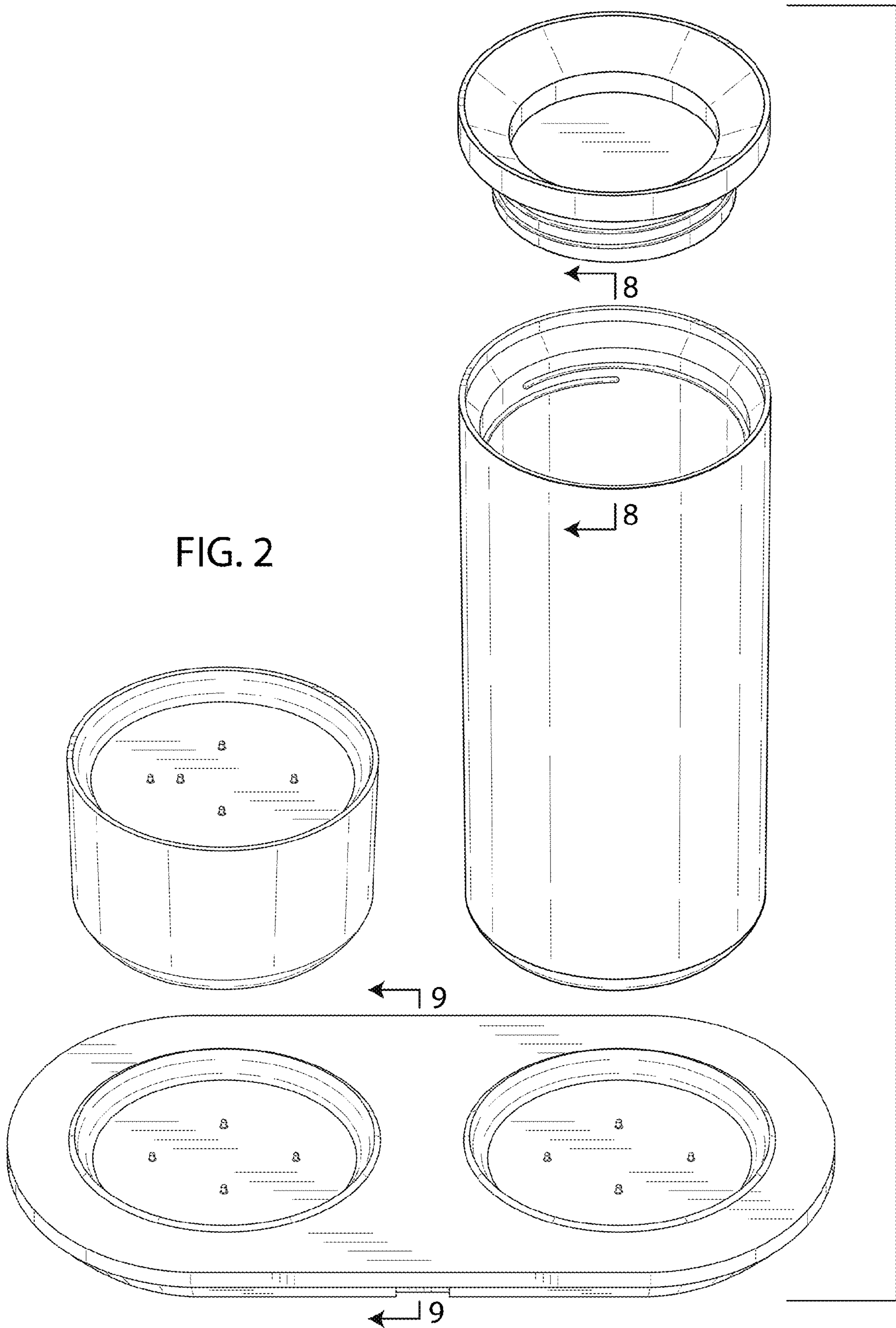
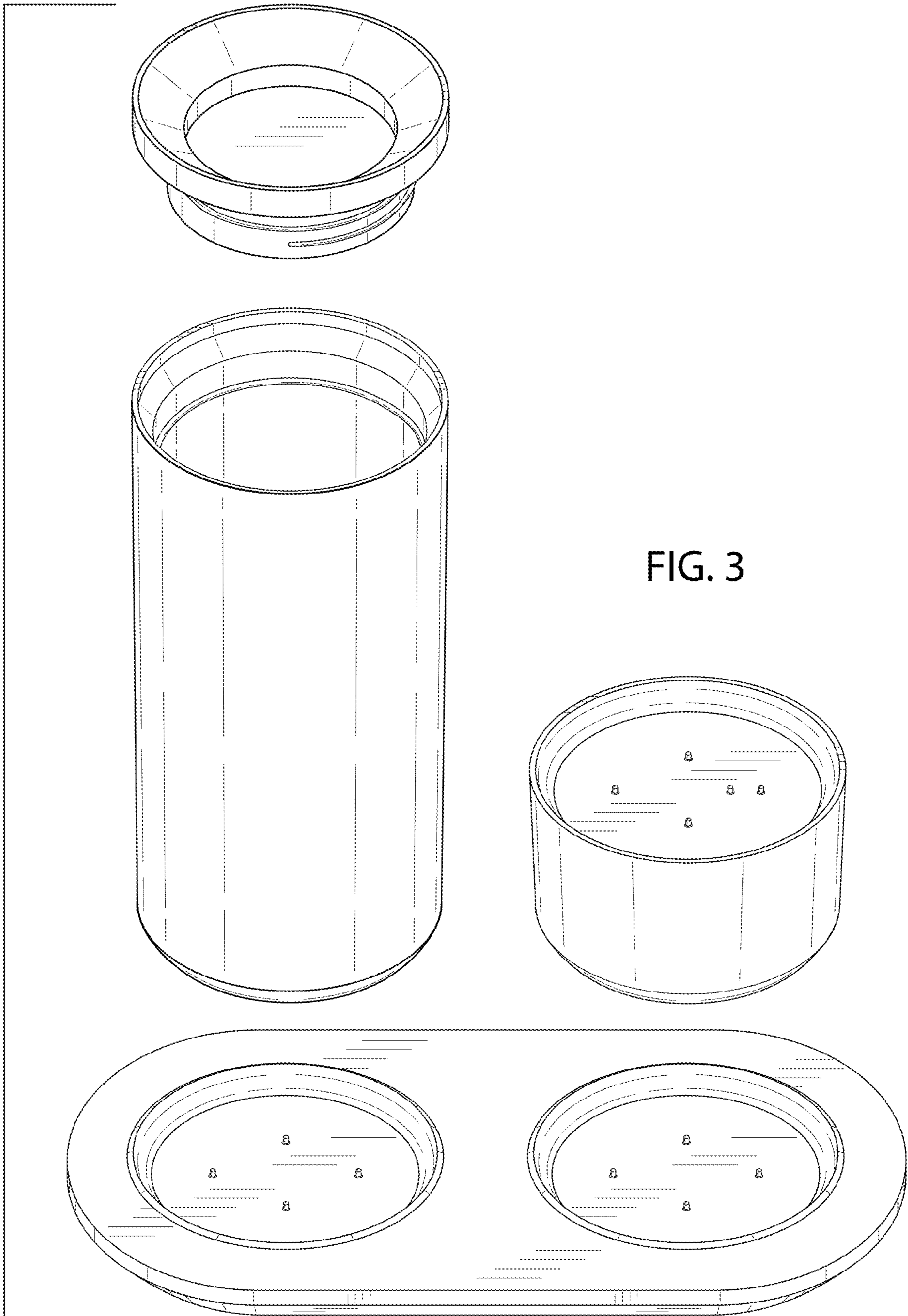


FIG. 1





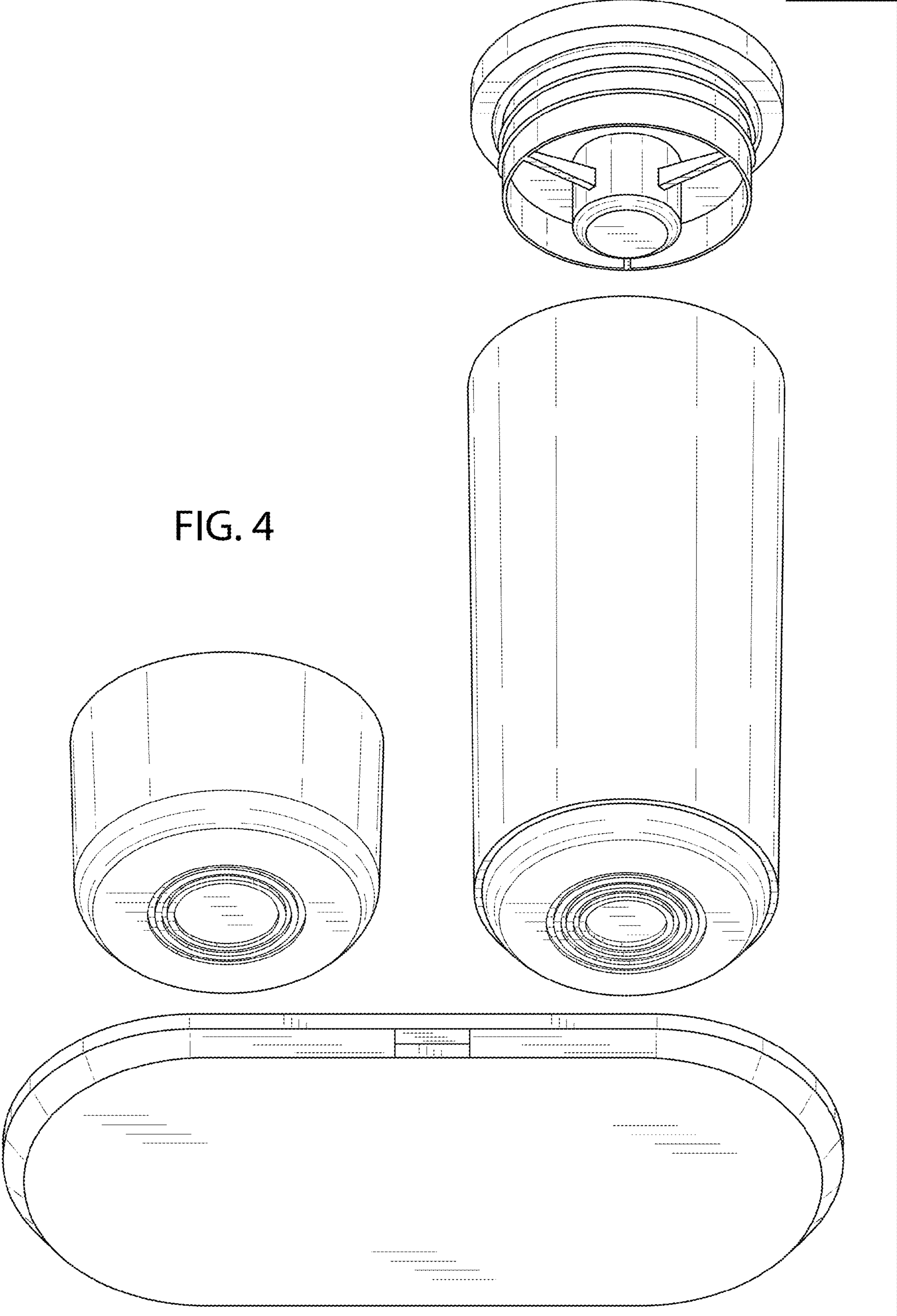
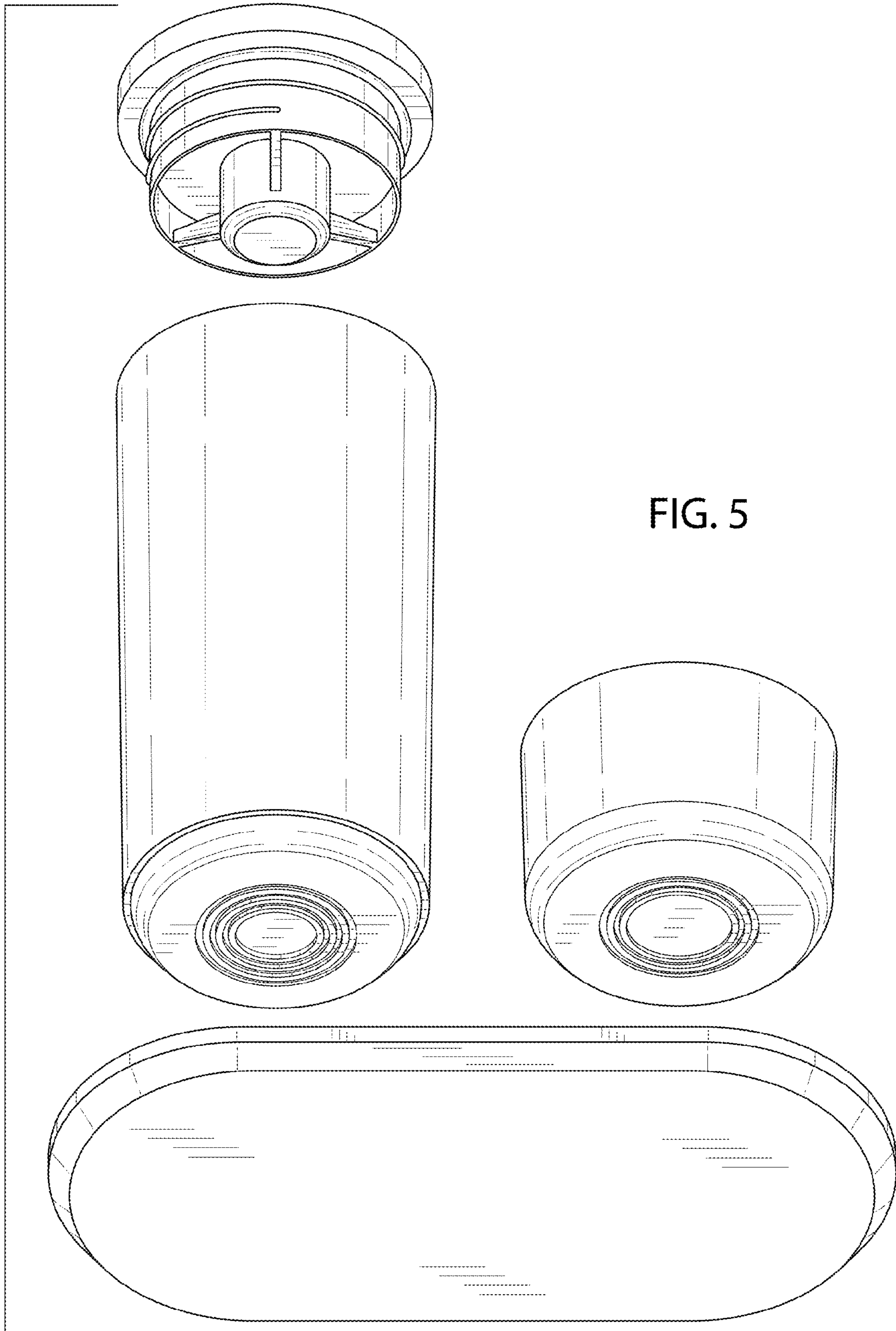


FIG. 4



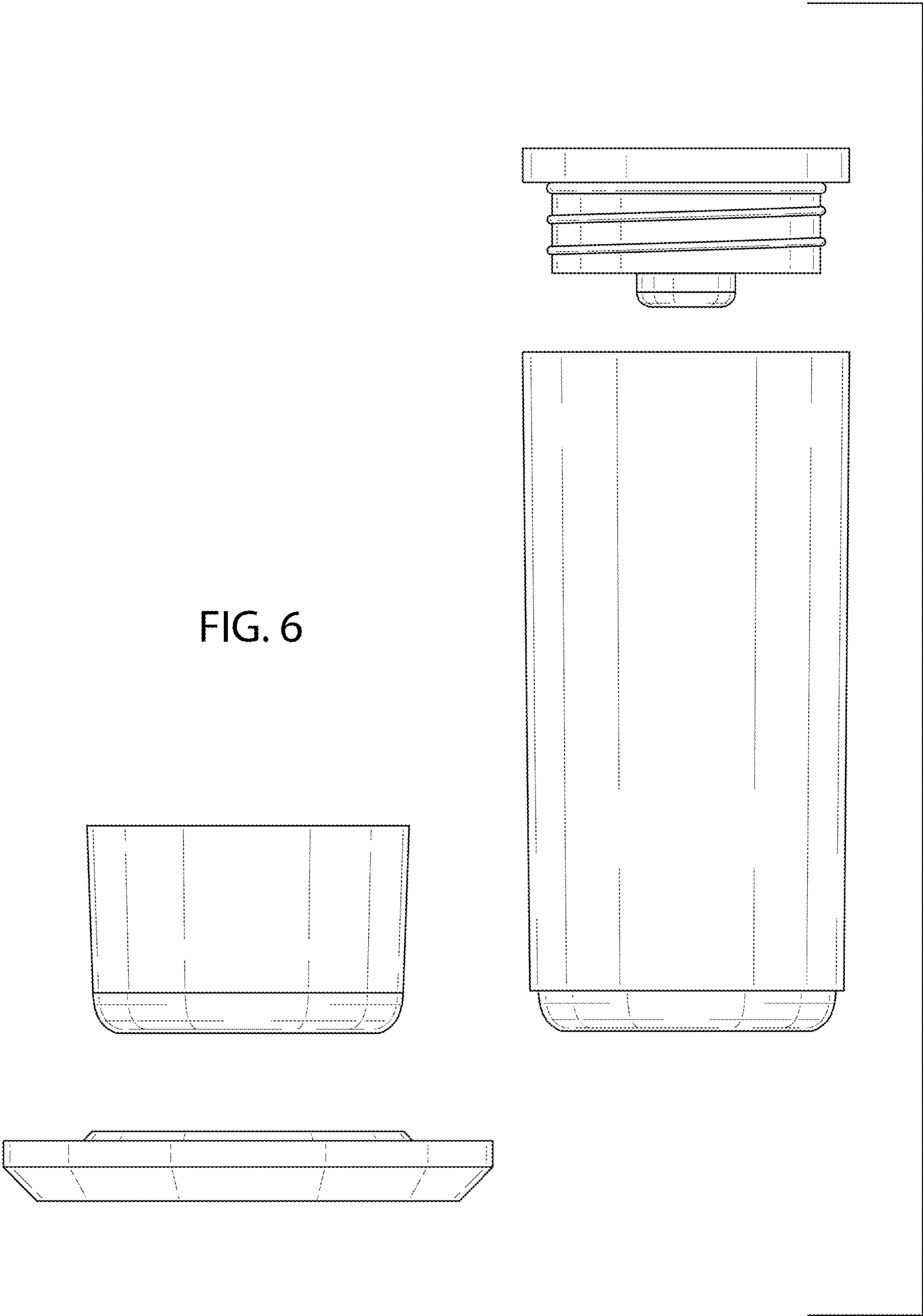


FIG. 6

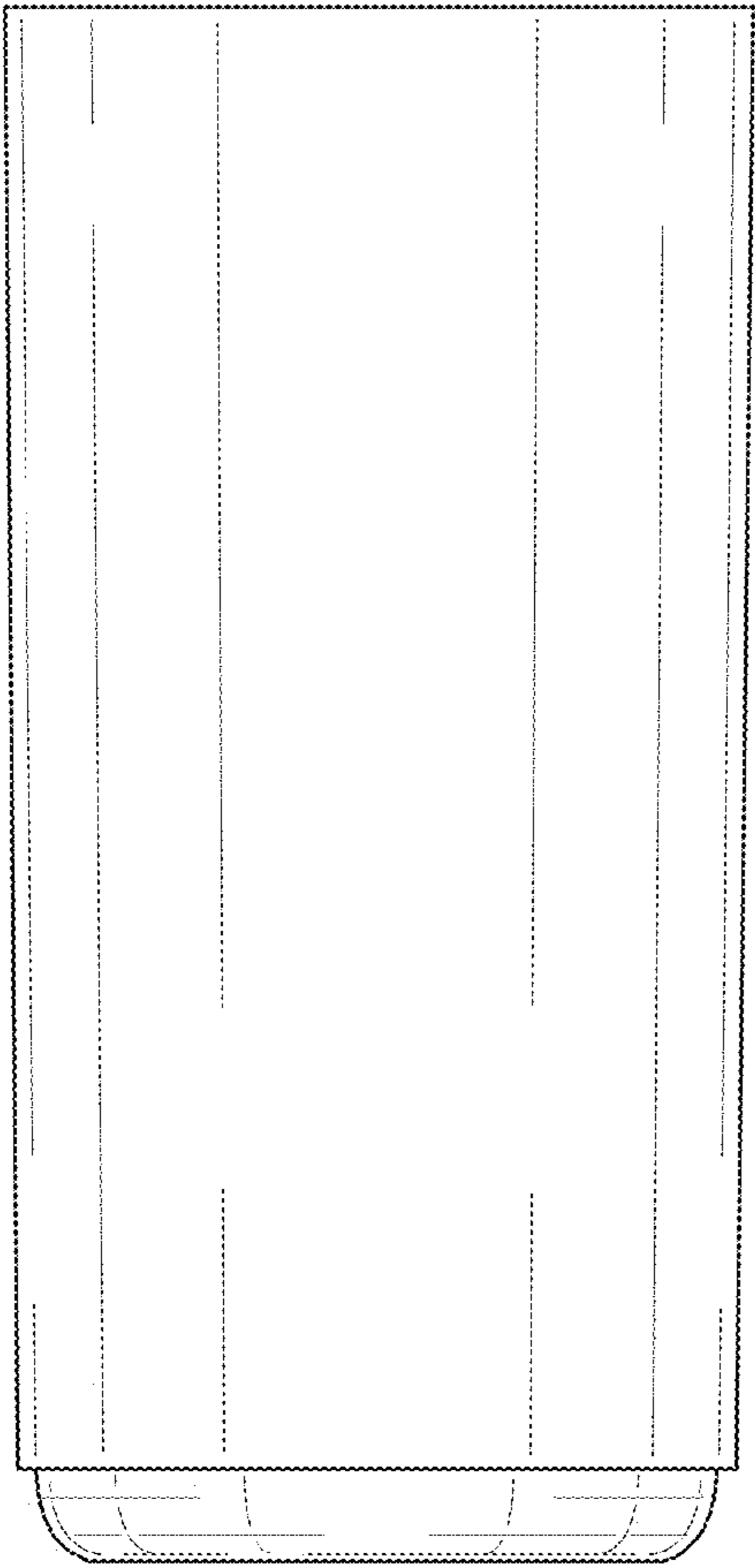
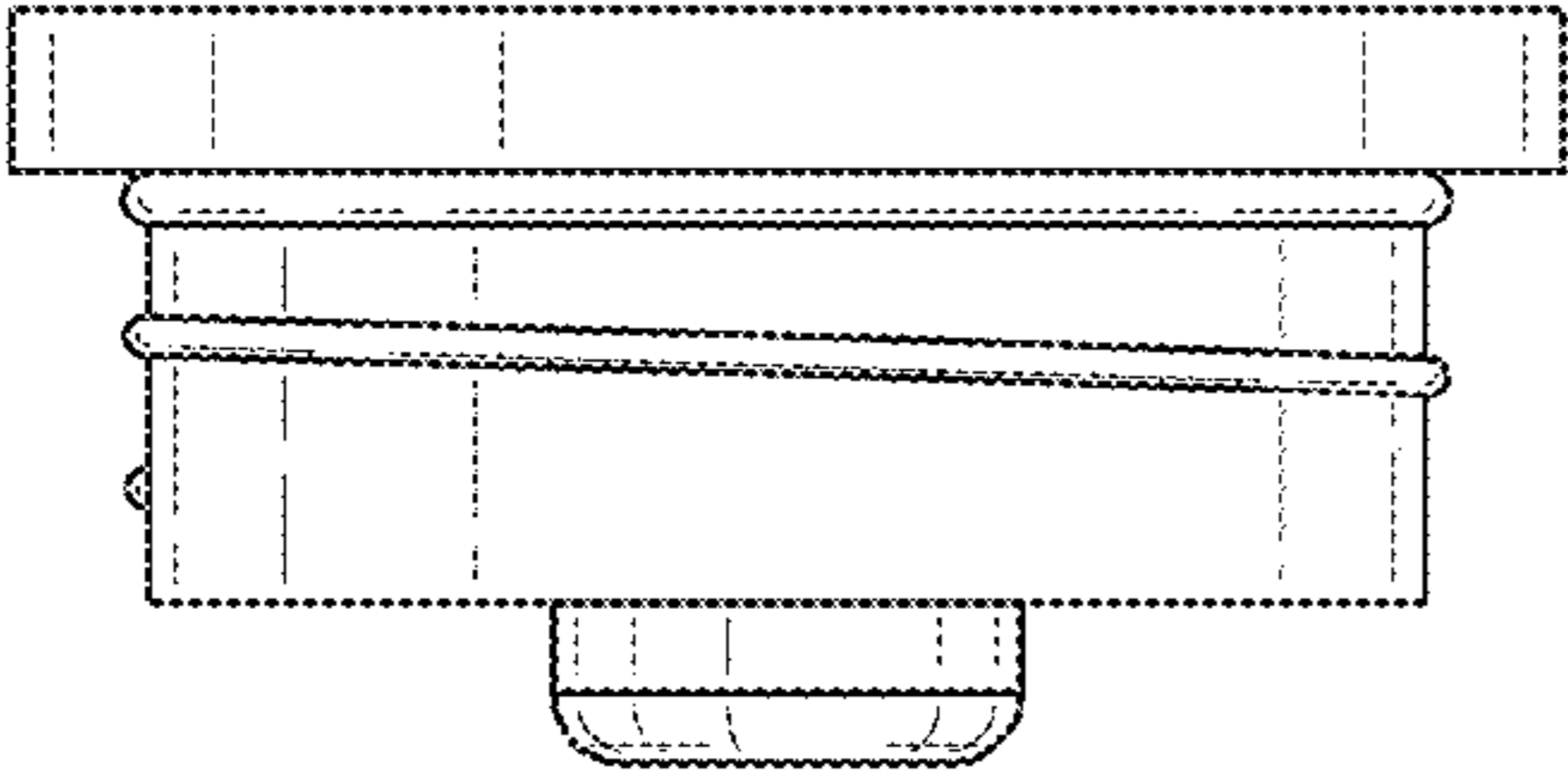
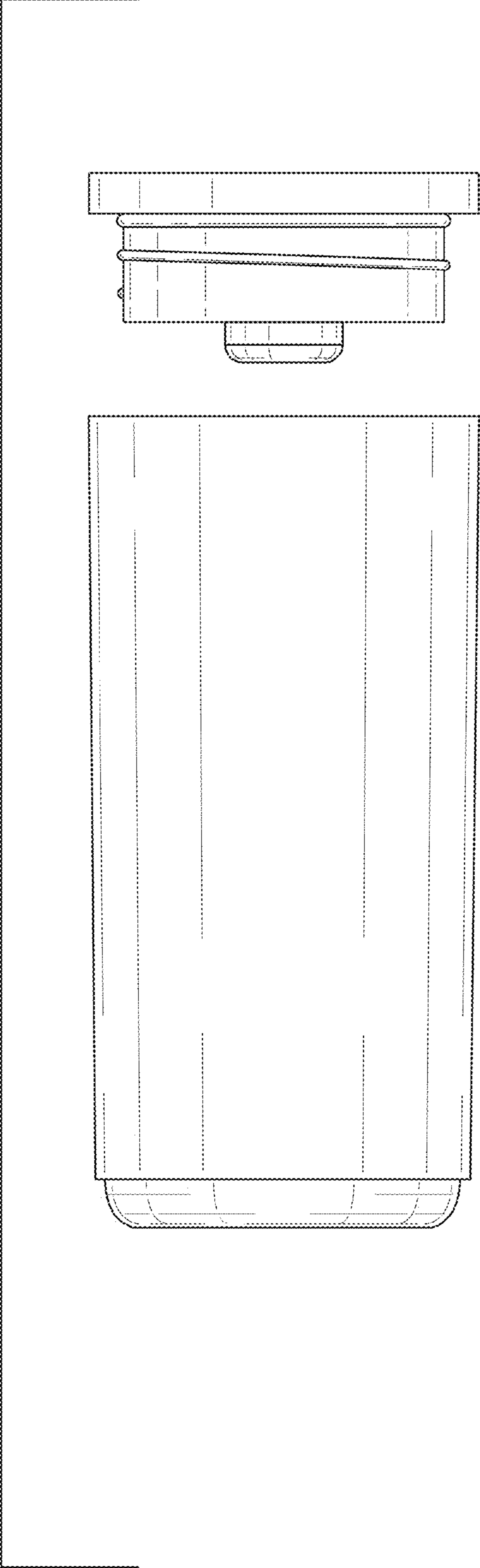
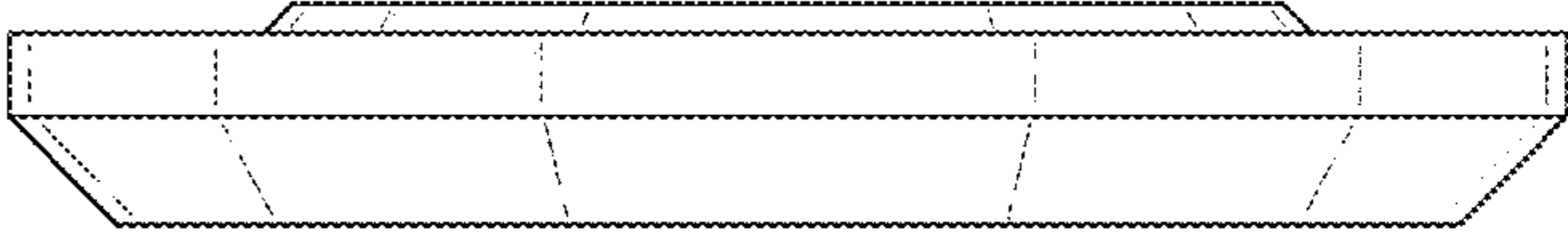
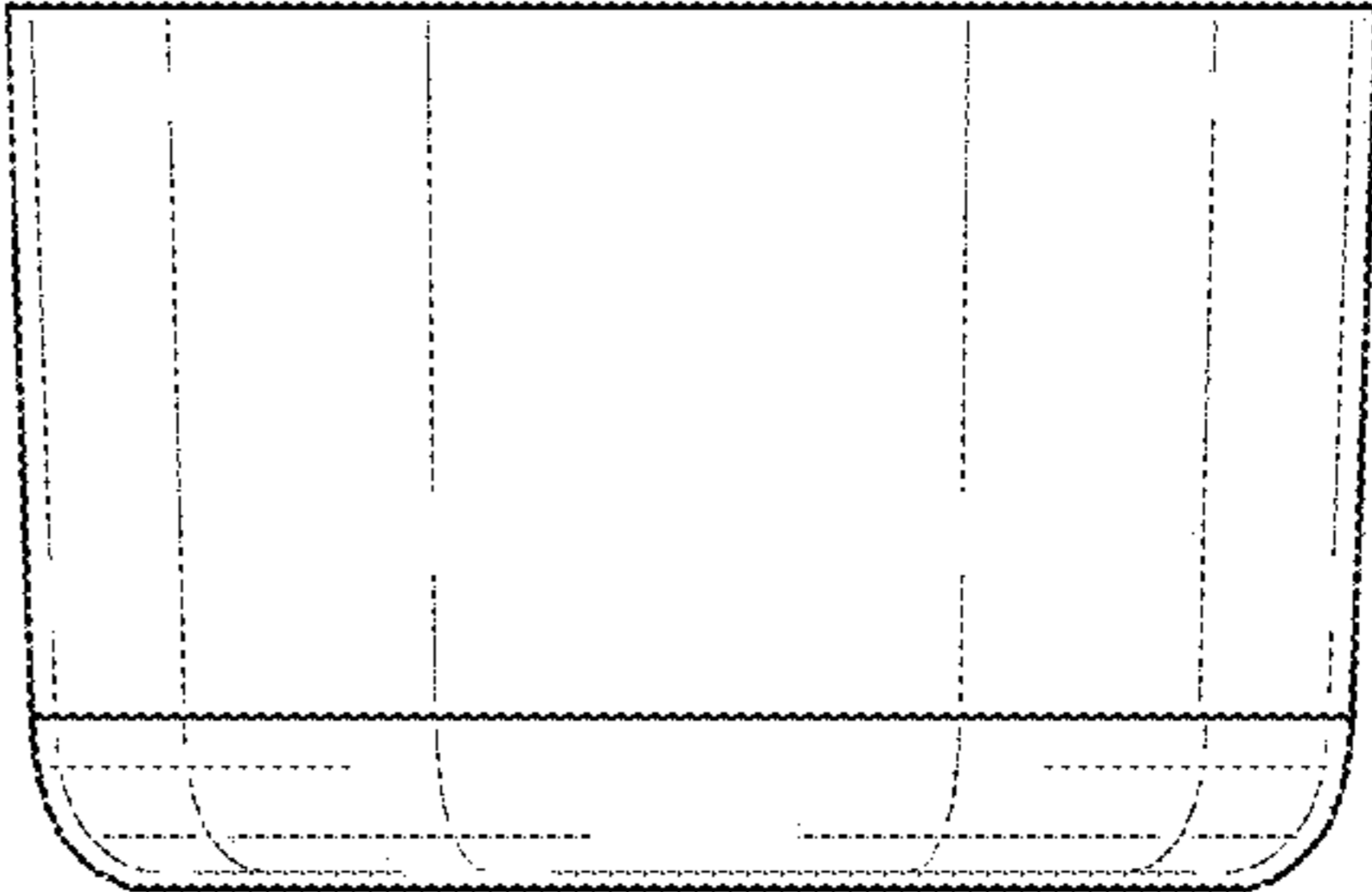


FIG. 7



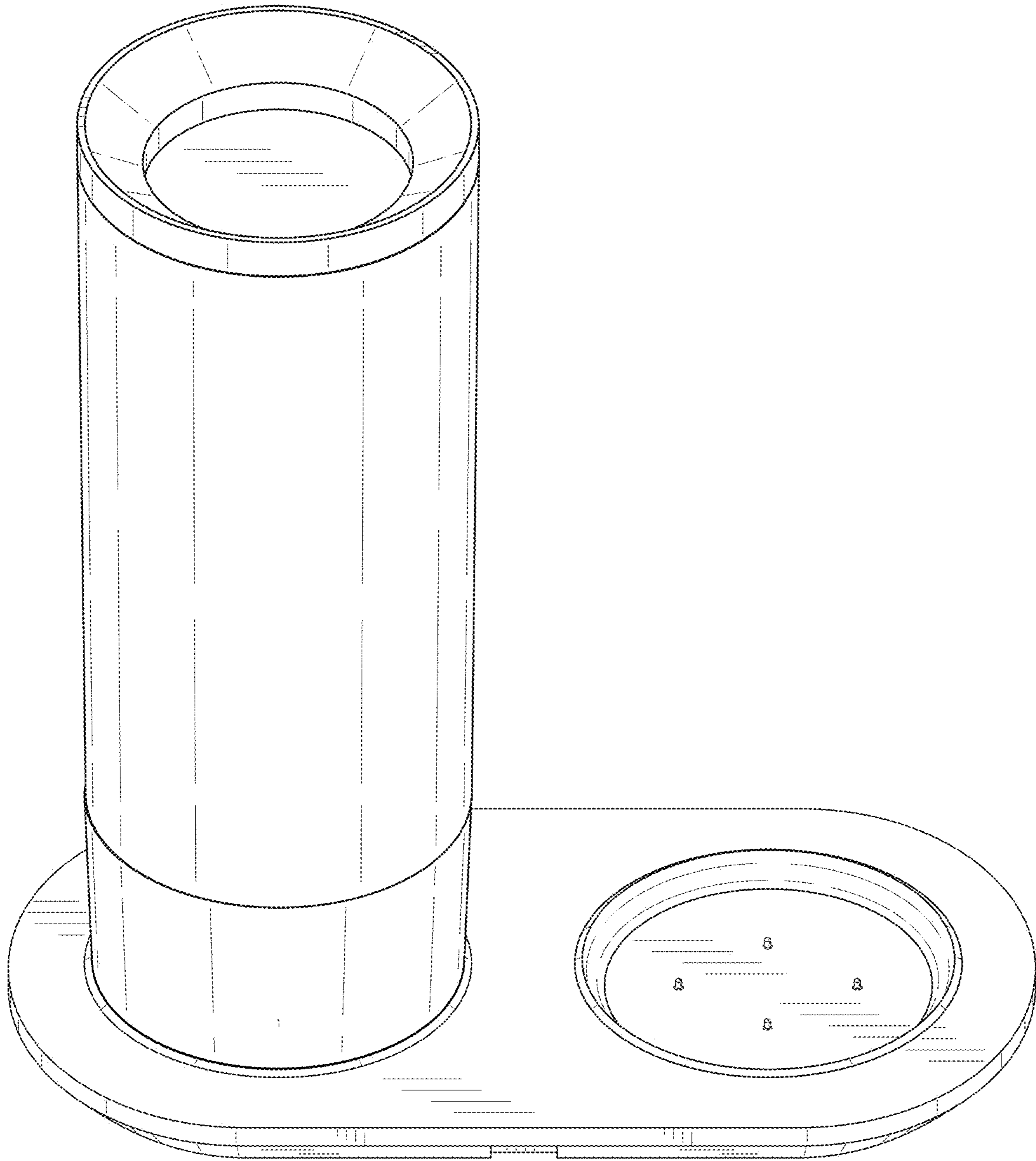


FIG. 8