



US00D873087S

(12) **United States Design Patent**
Touchton

(10) **Patent No.:** **US D873,087 S**
(45) **Date of Patent:** **** Jan. 21, 2020**

- (54) **COOLER**
- (71) Applicant: **Randall W. Touchton**, Converse, LA (US)
- (72) Inventor: **Randall W. Touchton**, Converse, LA (US)
- (**) Term: **15 Years**
- (21) Appl. No.: **29/653,719**
- (22) Filed: **Jun. 18, 2018**
- (51) **LOC (12) Cl.** **07-01**
- (52) **U.S. Cl.**
USPC **D7/605**
- (58) **Field of Classification Search**
USPC D7/605-607, 629, 630; D3/272-274, D3/201-206, 203.1-203.8
CPC .. A45C 11/20; A45C 5/14; A45C 5/03; A45C 9/00; A47B 77/08; A47J 41/022; A47G 19/2288; F25B 19/00; B62B 3/003; B65D 81/3823; B65D 81/3858; B65D 81/3813; B65D 81/3888; B65D 81/3816; B65D 81/3827; B65D 1/40; F25D 3/08; F25D 3/12; F25D 3/14; F25D 27/00; F25D 2331/804; F25D 2400/08; F25D 2400/22; F25D 31/005; F25D 25/02; F25D 21/14; F25D 2303/081; F25D 2302/804
See application file for complete search history.

5,328,048 A * 7/1994 Stein B65D 43/16
220/315
D361,511 S * 8/1995 Dickinson D7/605
D645,248 S * 9/2011 Osiecki D3/276

* cited by examiner

Primary Examiner — Terry A Wallace
(74) *Attorney, Agent, or Firm* — R. Keith Harrison

(57) **CLAIM**

A cooler, as shown and described.

DESCRIPTION

FIG. 1 is a front perspective view of the cooler in a closed configuration, illustrating a front handle cavity in broken lines, which front handle cavity does not form a part of the claimed design;

FIG. 2 is a front view of the cooler in the closed configuration, illustrating the front handle cavity in broken lines, which front handle cavity does not form a part of the claimed design;

FIG. 3 is a rear view of the cooler in the closed configuration;

FIG. 4 is a top view of the cooler in the closed configuration; FIG. 5 is a bottom view of the cooler in the closed configuration, illustrating a pair of side handle cavities and bottom ridges in the cooler bottom, which side handle cavities and bottom ridges are depicted in broken lines and do not form a part of the claimed design; and,

FIG. 6 is a right side view of the cooler in the closed configuration, illustrating a side handle cavity, which side handle cavity is depicted in broken lines and does not form a part of the claimed design, the left side view being a mirror image of the right side view of the cooler.

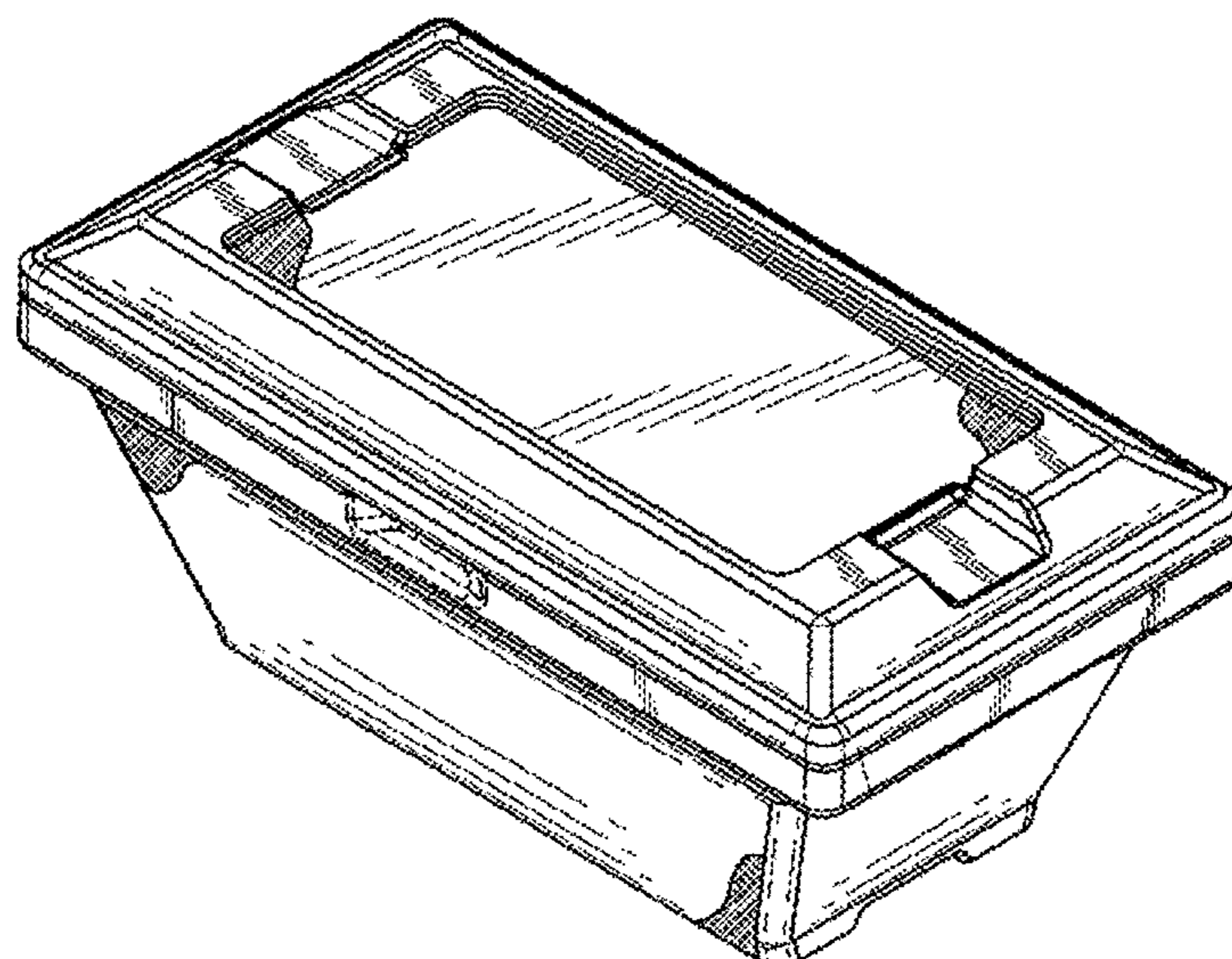
FIGS. 1 and 2 include broken line depictions of a front handle cavity; FIGS. 5 and 6 include broken line depictions of a pair of side handle cavities; and FIG. 5 includes broken line depictions of bottom ridges, which front handle cavity, side handle cavities and bottom ridges are depicted in broken lines and do not form a part of the claimed design.

(56) **References Cited**

U.S. PATENT DOCUMENTS

- 3,419,184 A * 12/1968 Asenbauer B65D 21/0222
206/508
- D239,695 S * 4/1976 Fier, Jr. D7/605
- D291,858 S * 9/1987 Baker D7/605
- D331,317 S * 12/1992 Tsai D3/281
- 5,193,706 A * 3/1993 Hanna B25H 3/02
220/315

1 Claim, 6 Drawing Sheets



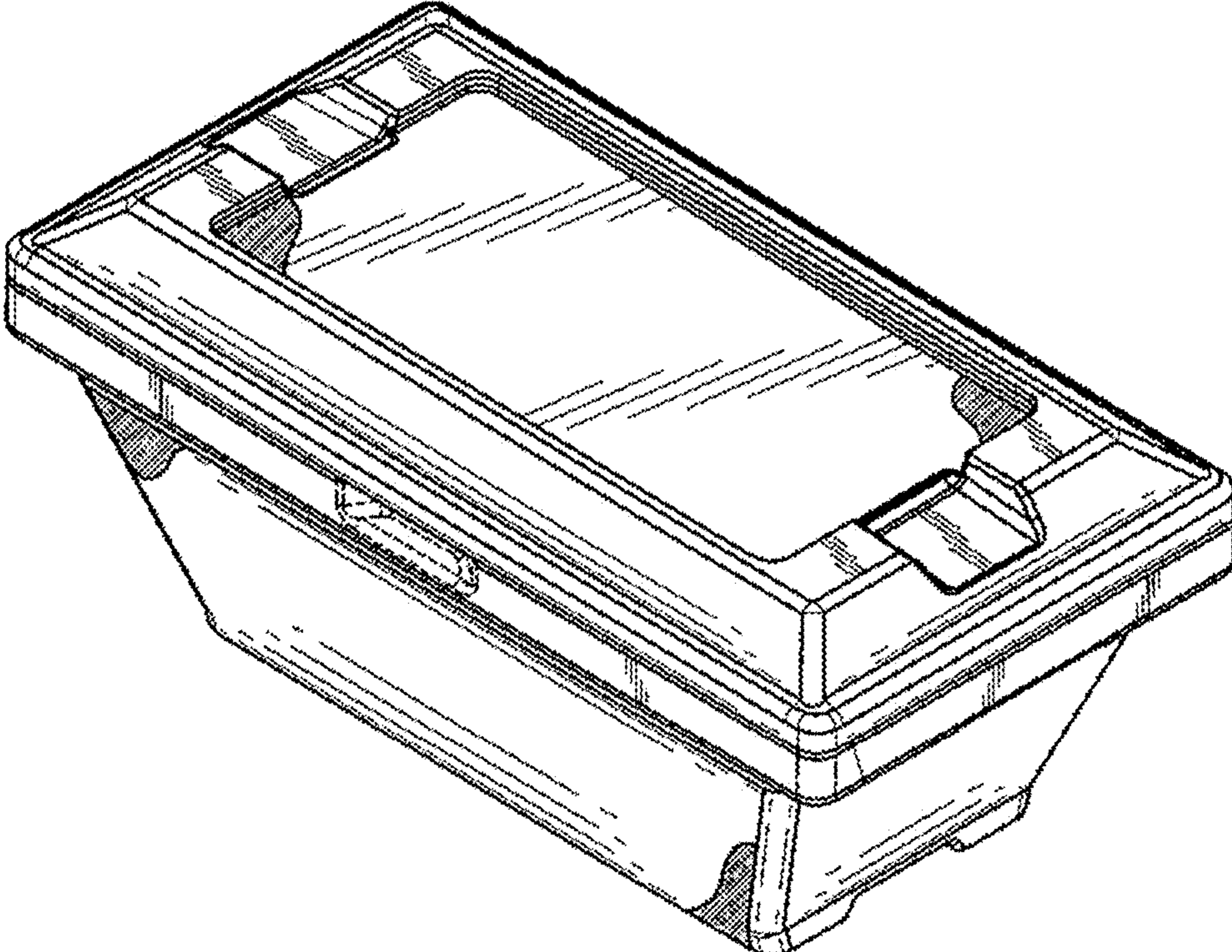


FIG. 1

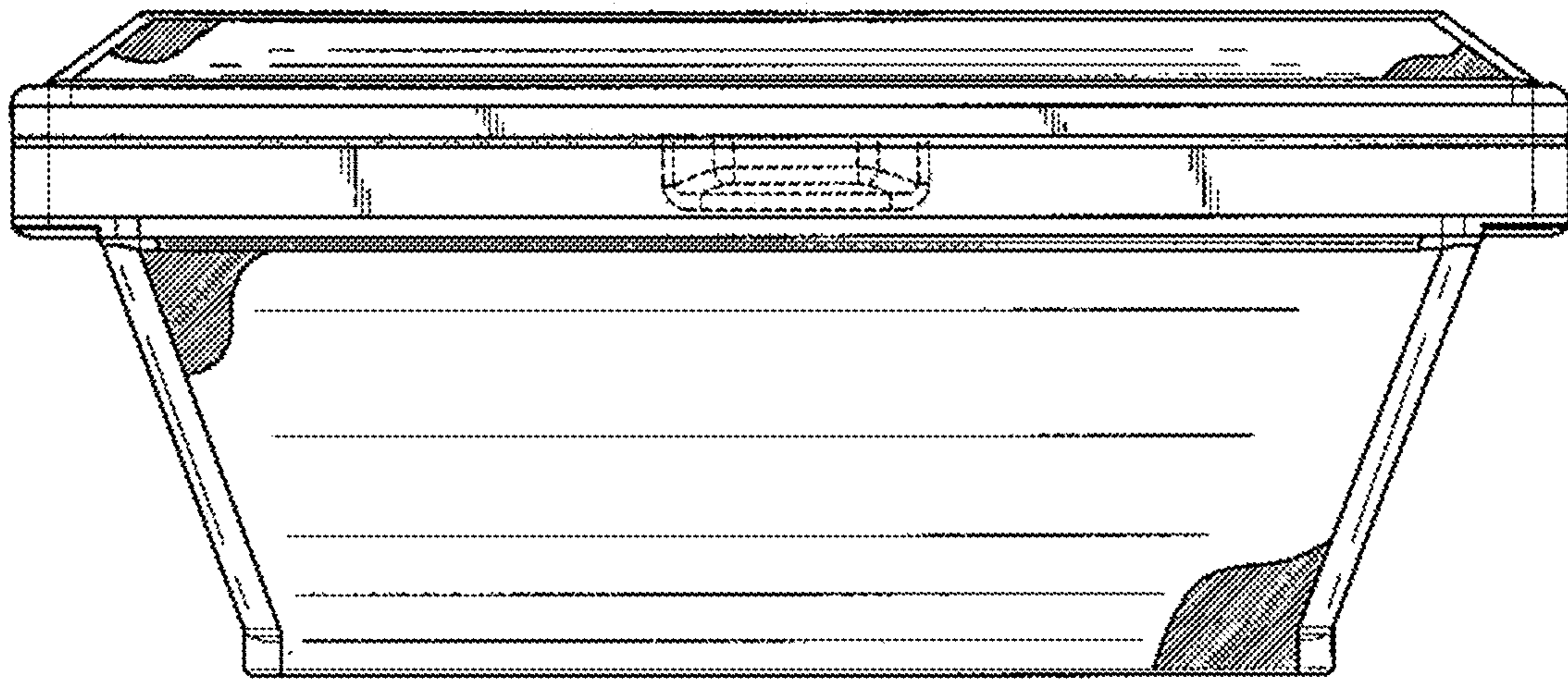


FIG. 2

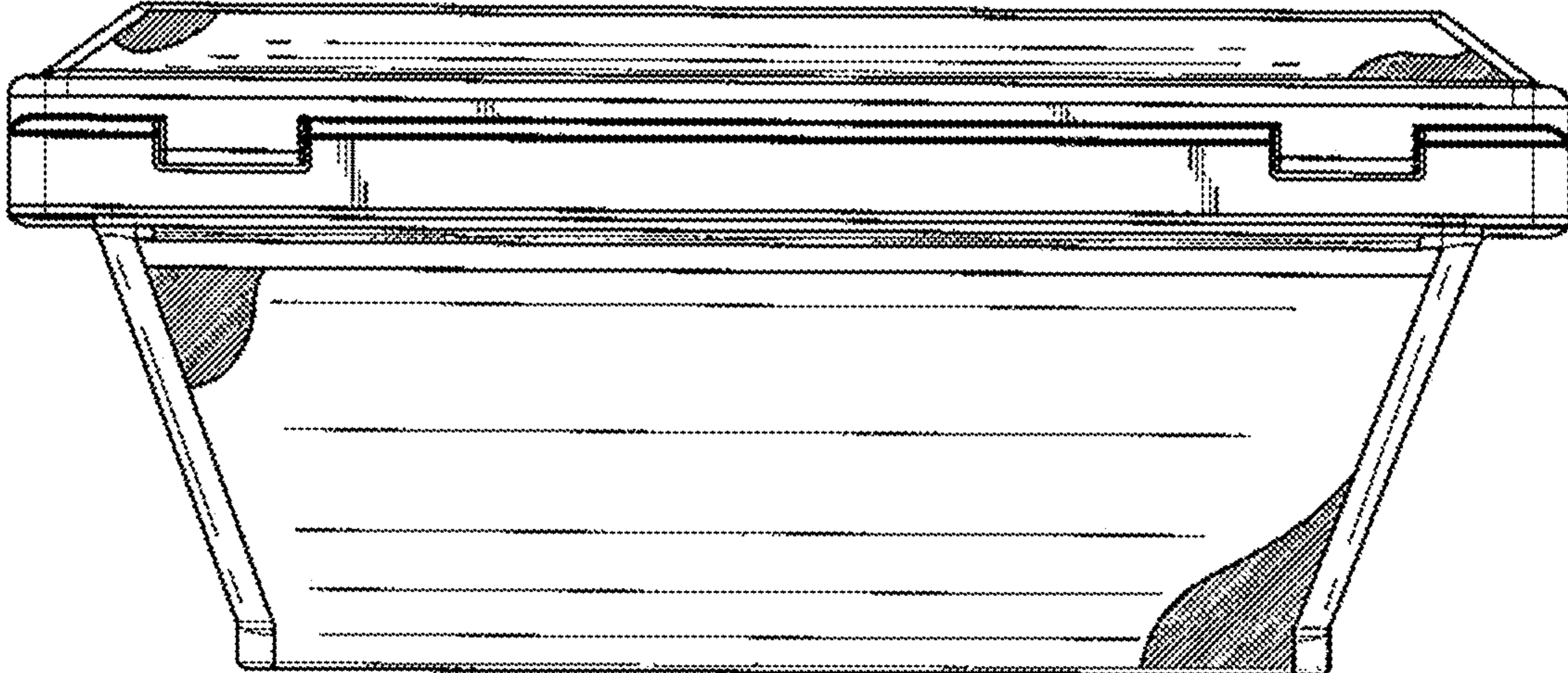


FIG. 3

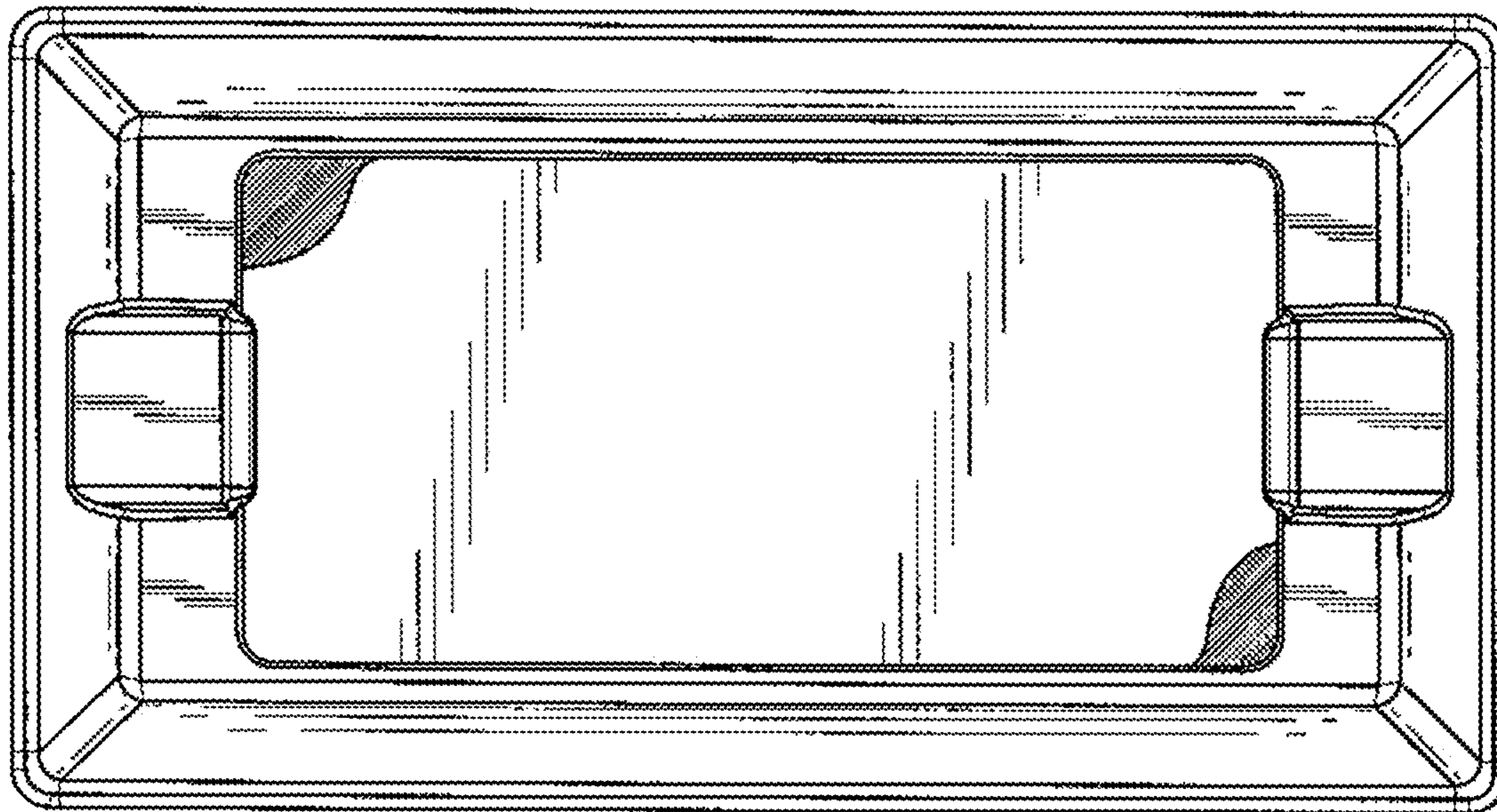


FIG. 4

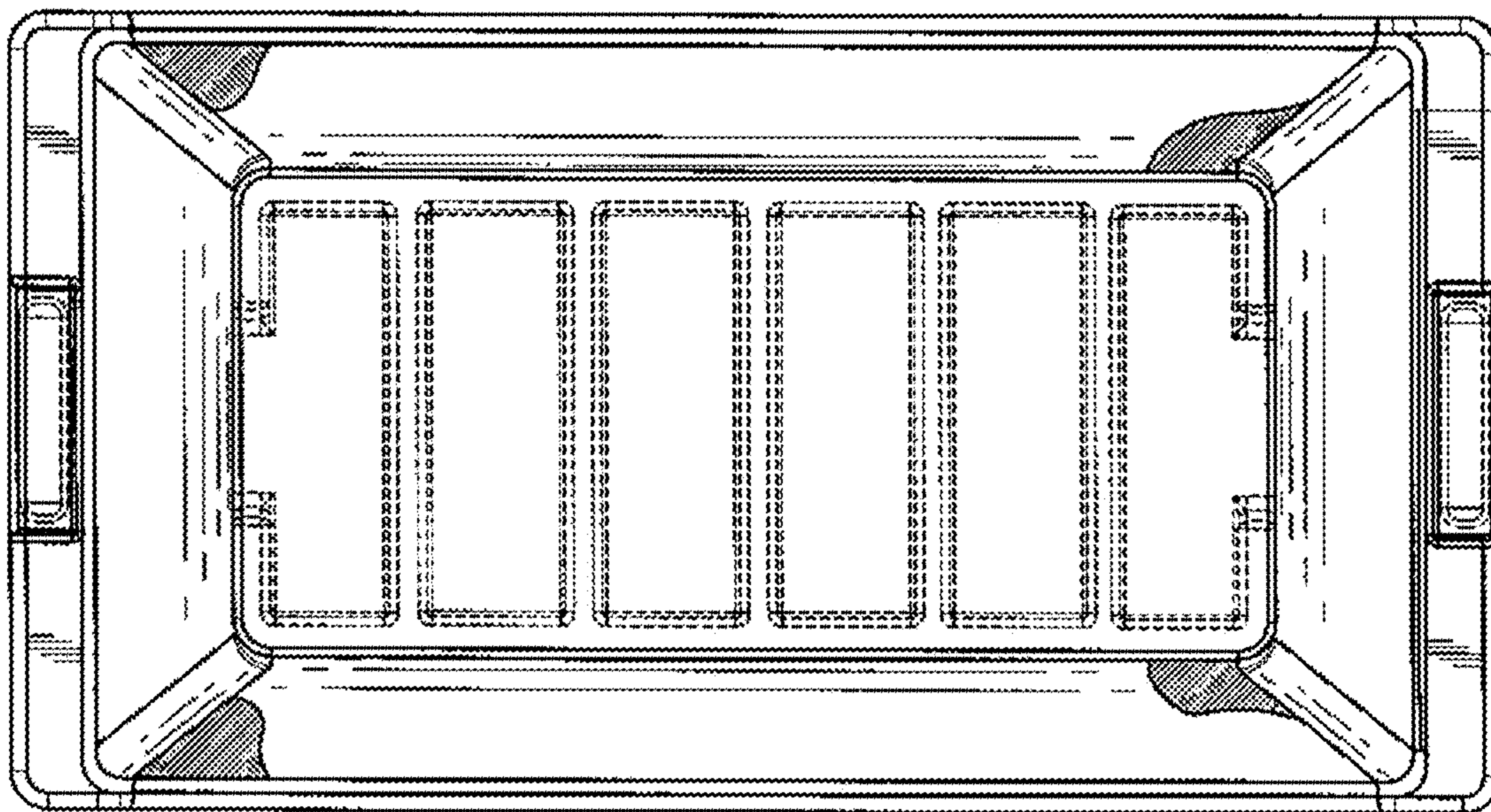


FIG. 5

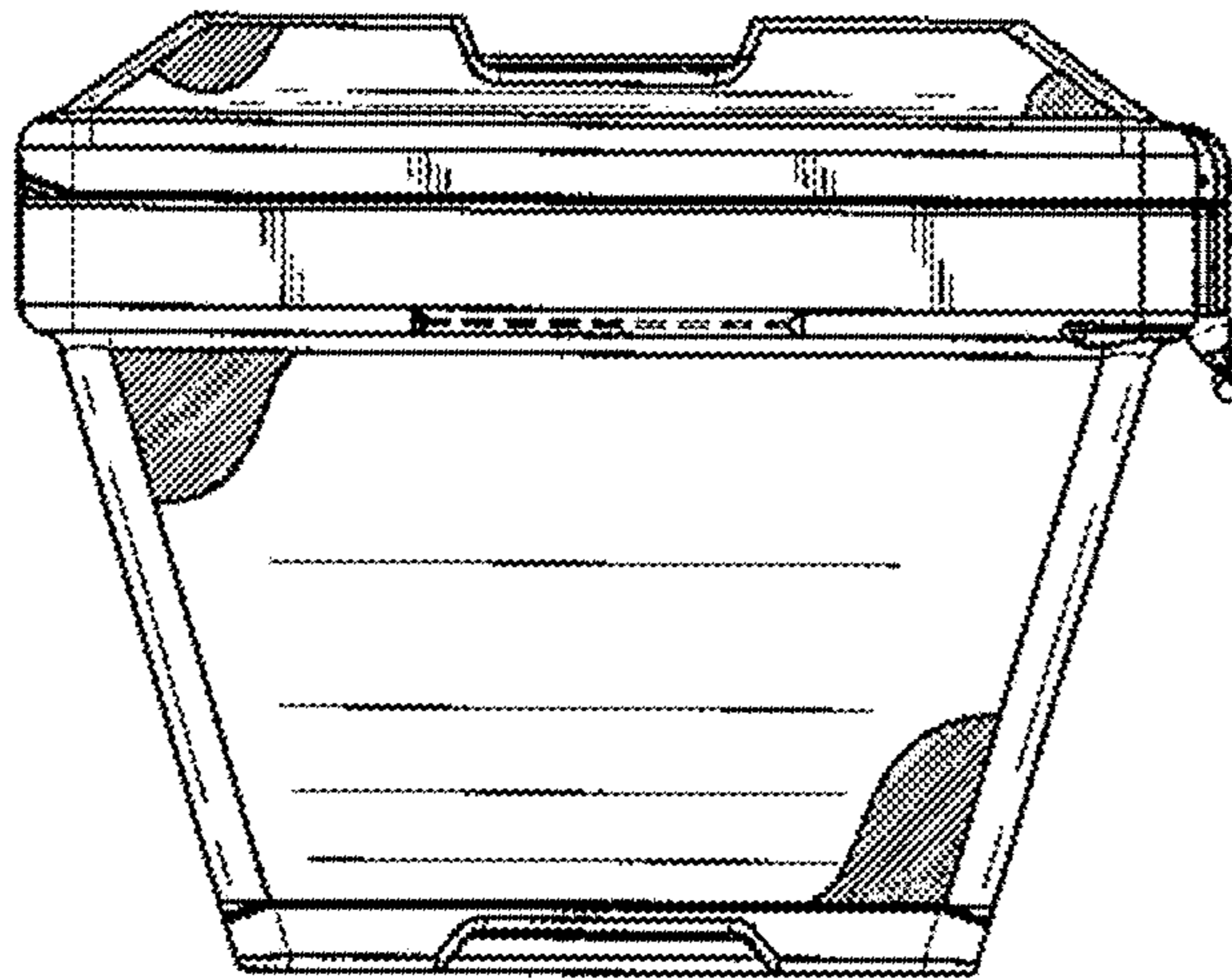


FIG. 6