



US00D873086S

(12) **United States Design Patent**  
**DeFrancia**

(10) **Patent No.:** **US D873,086 S**  
(45) **Date of Patent:** **\*\* Jan. 21, 2020**

(54) **CONTAINER WAGON**  
(71) Applicant: **Ice Rover, Inc.**, Boulder, CO (US)  
(72) Inventor: **Tomas A. DeFrancia**, Boulder, CO (US)  
(73) Assignee: **ICE ROVER, INC.**, Boulder, CO (US)  
(\*\*) Term: **15 Years**

4,035,009 A 7/1977 Jacobs  
D246,350 S \* 11/1977 Powell ..... D3/304  
4,724,681 A 2/1988 Bartholomew et al.  
4,759,560 A 7/1988 Virgulti  
4,846,493 A 7/1989 Mason  
4,873,841 A 10/1989 Bradshaw et al.  
4,932,677 A 6/1990 Shustack  
4,976,448 A 12/1990 Wickersham et al.  
4,987,639 A 1/1991 Baiuley et al.  
(Continued)

(21) Appl. No.: **29/641,698**  
(22) Filed: **Mar. 23, 2018**

**Related U.S. Application Data**

(63) Continuation of application No. 29/571,428, filed on Jul. 18, 2016, now Pat. No. Des. 816,423.  
(51) **LOC (12) Cl.** ..... **07-01**  
(52) **U.S. Cl.**  
USPC ..... **D7/605**; D7/387; D3/314; D3/318  
(58) **Field of Classification Search**  
USPC ..... D7/605, 607, 608, 387; D34/19, 20; D3/273, 274, 277, 276, 284, 289, 287, D3/301, 304, 315, 318, 902, 314  
CPC .. A45C 5/04; A45C 5/045; A45C 5/08; A45C 7/0077; A45C 11/20; A45C 2200/20; A45C 5/14; A45C 7/0036; F25D 3/08; B62B 2202/52  
See application file for complete search history.

(56) **References Cited**

**U.S. PATENT DOCUMENTS**

493,456 A 3/1893 Violet  
1,469,196 A 9/1923 Strange  
1,495,001 A \* 5/1924 Davis ..... A45C 5/04  
190/13 H  
3,591,194 A 7/1971 Vega  
3,666,134 A 5/1972 Rauch  
4,014,456 A \* 3/1977 Echtle ..... A45C 11/20  
220/783

**OTHER PUBLICATIONS**

Walmart, "Best Choice Products Garden Bike Cargo Luggage Trailer Shopping Cart Carrier w/ Cover—Black/Yellow", Oldest review Jul. 28, 2014. (<https://www.walmart.com/ip/Best-Choice-Products-Garden-Bike-Cargo-Luggage-Trailer-Shopping-Cart-Carrier-w-Cover-Black-Yellow/37513758>) (Year: 2014).\*

(Continued)

*Primary Examiner* — April Rivas  
(74) *Attorney, Agent, or Firm* — Lieberman & Brandsdorfer, LLC

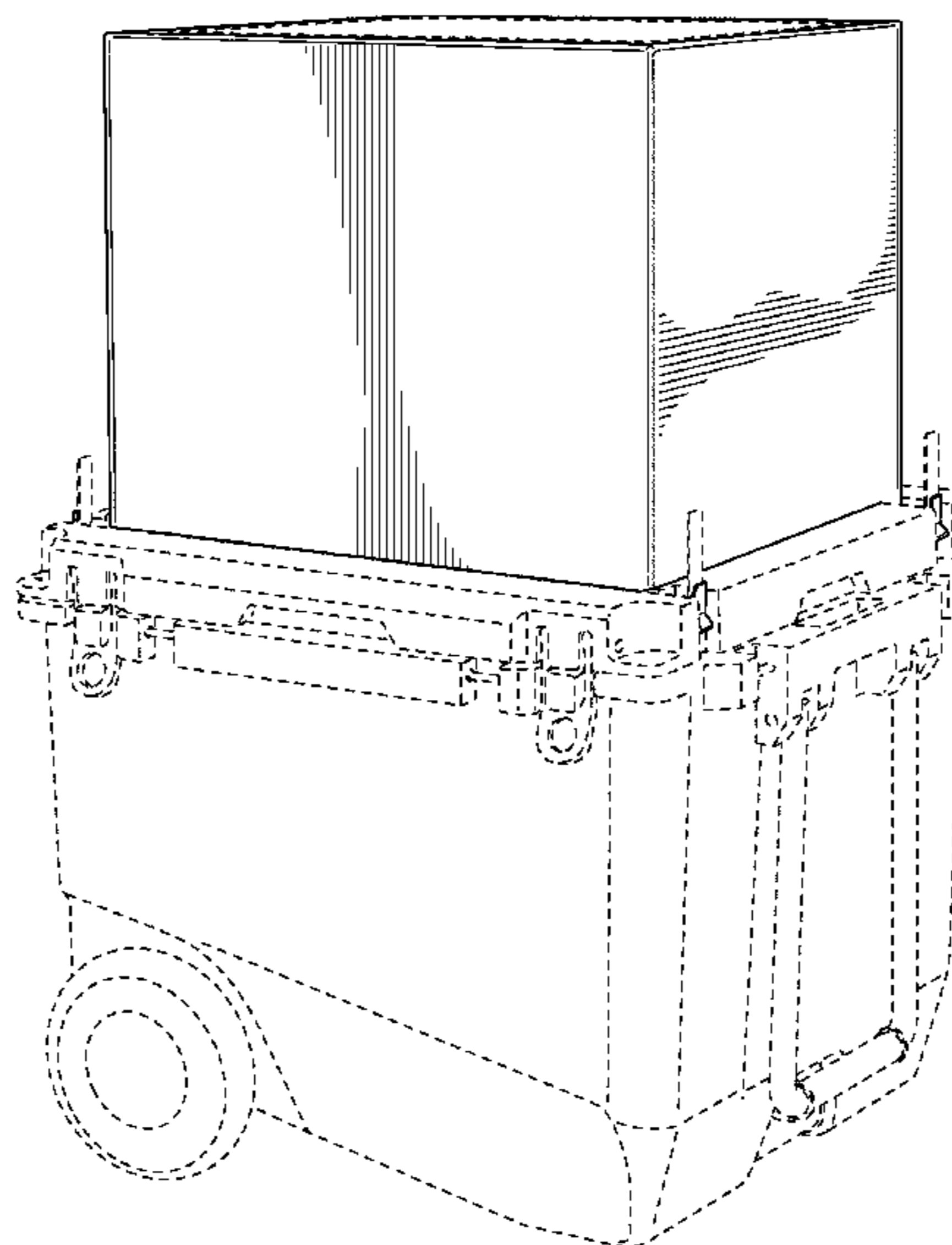
(57) **CLAIM**

The ornamental design for a container wagon, as shown and described.

**DESCRIPTION**

FIG. 1 is a front perspective view of a container wagon showing my new design;  
FIG. 2 is a front view thereof;  
FIG. 3 is a rear view thereof;  
FIG. 4 is a left side view thereof;  
FIG. 5 is a right side view thereof;  
FIG. 6 is a top plan view thereof; and,  
FIG. 7 is a bottom plan view thereof.  
The broken lines are included for the purpose of illustrating portions of the container that form no part of the claimed design.

**1 Claim, 7 Drawing Sheets**



(56)

References Cited

U.S. PATENT DOCUMENTS

5,044,513 A 9/1991 Van Berne  
 5,193,706 A 3/1993 Hanna et al.  
 D334,506 S \* 4/1993 Duncan ..... D30/161  
 5,228,706 A 7/1993 Boville  
 D340,620 S \* 10/1993 Peters ..... D7/605  
 5,249,438 A 10/1993 Rhaney et al.  
 5,269,157 A 12/1993 Ciminelli et al.  
 5,285,656 A \* 2/1994 Peters ..... A45C 5/14  
 16/38  
 5,285,936 A 2/1994 Matricardi  
 5,306,029 A 4/1994 Kaiser, II  
 5,313,817 A 5/1994 Meinders  
 D353,304 S 12/1994 Friedrich  
 5,423,195 A 6/1995 Peters  
 5,465,985 A 11/1995 Devan et al.  
 5,479,866 A 1/1996 Rae  
 5,484,046 A 1/1996 Alper et al.  
 5,490,606 A 2/1996 Lombardo  
 5,595,429 A 1/1997 Kennedy  
 D397,585 S \* 9/1998 Rausch ..... D7/605  
 5,803,472 A 9/1998 Lien  
 D401,062 S \* 11/1998 Hauschild ..... D3/287  
 5,953,931 A 9/1999 Brittain  
 D415,658 S 10/1999 Frehse  
 5,988,658 A 11/1999 Ritchie et al.  
 6,065,873 A \* 5/2000 Fowler ..... A45C 3/04  
 383/10  
 D429,606 S 8/2000 Israel et al.  
 D431,907 S \* 10/2000 Andujar ..... D19/75  
 6,153,857 A 11/2000 Gunnels  
 6,305,185 B1 10/2001 Sloan  
 6,311,991 B1 11/2001 Conrado et al.  
 6,318,713 B1 11/2001 Levi  
 6,318,740 B1 11/2001 Nappo  
 6,347,419 B1 2/2002 Kurtz  
 6,364,329 B1 4/2002 Holub et al.  
 6,394,325 B1 5/2002 Taylor  
 6,446,988 B1 9/2002 Kho  
 6,474,097 B2 \* 11/2002 Treppedi ..... A45C 11/20  
 280/30  
 6,497,424 B2 12/2002 Gartner et al.  
 6,558,301 B1 5/2003 Jackson  
 D477,165 S \* 7/2003 Petri ..... D3/304  
 D480,276 S 10/2003 Duart et al.  
 D481,266 S \* 10/2003 Schilhab ..... D3/312  
 6,634,659 B2 10/2003 Sanskrit  
 6,895,778 B1 5/2005 Ackerman  
 6,908,417 B2 6/2005 Jackson  
 D514,891 S 2/2006 Garcia et al.  
 D515,360 S \* 2/2006 Moisdon ..... D7/605  
 D530,158 S \* 10/2006 Miesieski ..... D7/605  
 7,140,507 B2 11/2006 Maldonado et al.  
 7,155,859 B1 1/2007 Brooks  
 7,175,040 B2 2/2007 Lorenz et al.  
 D544,758 S \* 6/2007 Jones ..... D7/605  
 D547,550 S \* 7/2007 Boutin ..... D3/304  
 7,252,295 B2 8/2007 Blutworth  
 7,284,763 B1 10/2007 King  
 7,306,243 B2 12/2007 Van Horn et al.  
 7,334,802 B2 2/2008 Kaplan  
 7,360,380 B2 4/2008 Van Handel  
 D587,072 S \* 2/2009 Friedman ..... D7/605  
 D600,017 S \* 9/2009 Christie ..... D3/304  
 7,588,156 B2 9/2009 Lorenz et al.  
 D602,255 S \* 10/2009 Ahlgrim ..... D3/304  
 7,601,101 B2 10/2009 Jackson et al.  
 D609,911 S 2/2010 Twig  
 D613,560 S 4/2010 Robichaud et al.  
 7,714,708 B2 5/2010 Brackmann et al.  
 7,717,440 B1 5/2010 Baba  
 7,854,321 B2 12/2010 Twig et al.  
 7,891,678 B2 2/2011 Anderson et al.  
 7,909,148 B1 3/2011 Miller et al.  
 D649,783 S 12/2011 Brunner  
 8,256,242 B1 9/2012 Evans

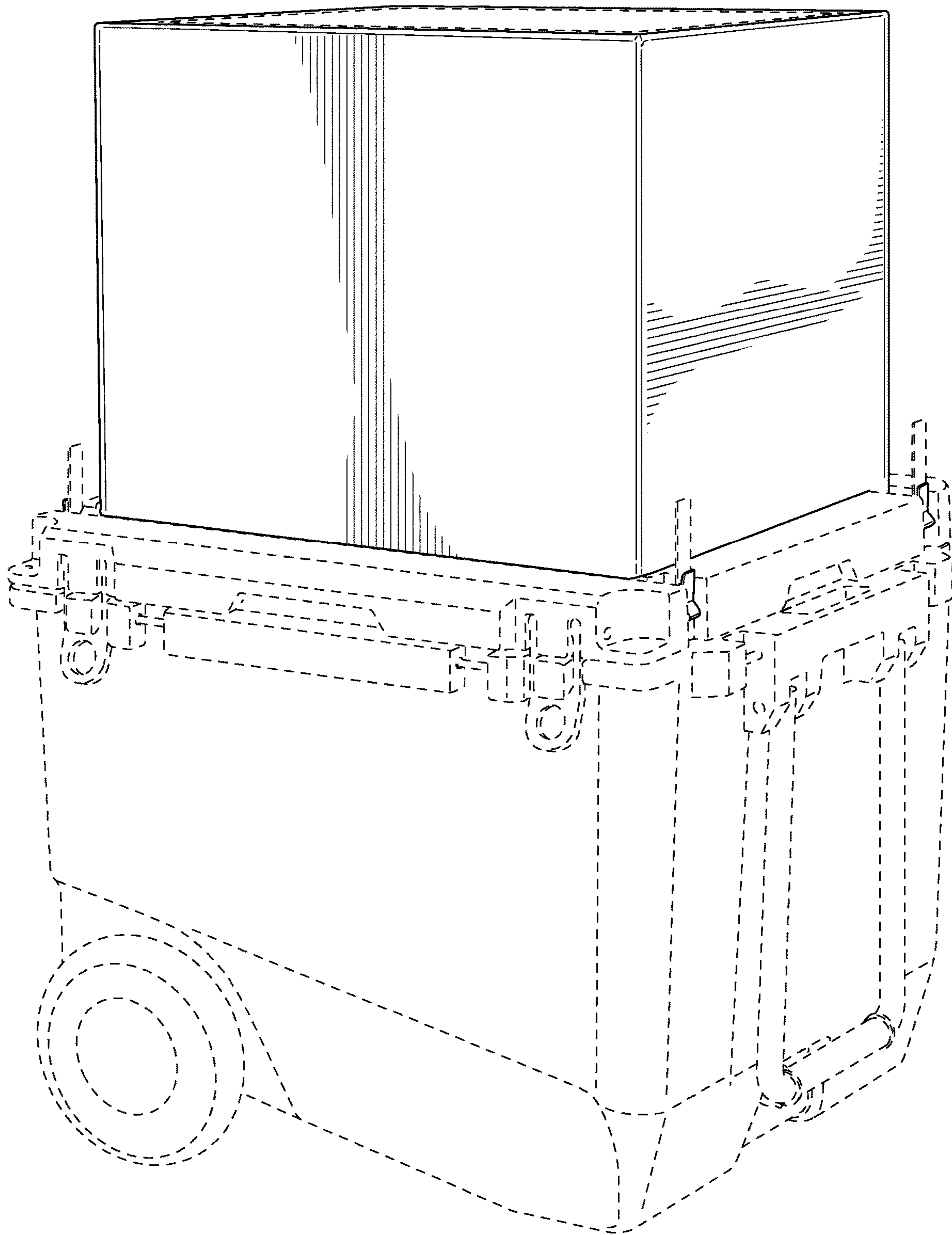
8,827,109 B1 \* 9/2014 Sheehan ..... A45C 11/20  
 150/154  
 9,132,598 B2 9/2015 Ernst  
 9,199,657 B2 12/2015 Martin  
 9,199,782 B1 12/2015 Cliatt  
 9,310,118 B2 4/2016 Zavitsanos  
 D767,277 S 9/2016 Faibish  
 D770,179 S 11/2016 Menirom  
 D771,381 S 11/2016 Sosnovsky et al.  
 9,527,626 B1 \* 12/2016 Coronado ..... A45C 7/0036  
 9,550,605 B1 1/2017 Summers  
 9,578,938 B1 \* 2/2017 Verneuille ..... A45C 11/20  
 9,700,110 B2 7/2017 Lee et al.  
 9,835,367 B2 12/2017 Vanderberg et al.  
 D811,171 S 2/2018 Golic et al.  
 D815,919 S \* 4/2018 DeFrancia ..... D7/605  
 D815,921 S 4/2018 Moffett, III et al.  
 D816,423 S \* 5/2018 DeFrancia ..... D7/605  
 10,022,856 B2 7/2018 Bensman et al.  
 2002/0096844 A1 7/2002 Clegg  
 2003/0168371 A1 9/2003 Weimer  
 2004/0002411 A1 1/2004 Jackson  
 2004/0238400 A1 12/2004 Knutsson et al.  
 2005/0067474 A1 \* 3/2005 Wang ..... A45C 7/0036  
 229/117.35  
 2005/0232747 A1 10/2005 Brackmann et al.  
 2006/0052220 A1 3/2006 Jackson et al.  
 2006/0060580 A1 3/2006 Lorenz et al.  
 2006/0162403 A1 7/2006 Handel  
 2007/0001409 A1 1/2007 Kaplan  
 2007/0053616 A1 \* 3/2007 Plouff ..... A45C 11/20  
 383/22  
 2008/0156671 A1 7/2008 Jansson  
 2008/0179847 A1 7/2008 DeFrancia  
 2009/0127807 A1 5/2009 Cornwell  
 2010/0000890 A1 1/2010 Belden et al.  
 2010/0000893 A1 1/2010 Twig et al.  
 2010/0275641 A1 11/2010 Manner et al.  
 2011/0197625 A1 8/2011 Urban et al.  
 2011/0226003 A1 9/2011 Chaney et al.  
 2012/0013091 A1 \* 1/2012 Giese ..... B62B 3/007  
 280/47.35  
 2012/0104013 A1 5/2012 Cowie  
 2012/0292121 A1 11/2012 Murray  
 2012/0292213 A1 11/2012 Brunner  
 2013/0056478 A1 3/2013 Canales, Jr.  
 2014/0197059 A1 7/2014 Evans et al.  
 2015/0175338 A1 \* 6/2015 Culp ..... A45C 7/0077  
 220/592.24  
 2015/0369529 A1 12/2015 Monroe  
 2015/0375917 A1 12/2015 Lee et al.  
 2016/0082891 A9 3/2016 Parks  
 2016/0145007 A1 \* 5/2016 Anderson ..... A45C 11/20  
 220/495.03  
 2016/0166070 A1 6/2016 Golic et al.  
 2016/0302542 A1 \* 10/2016 Yun ..... A45C 7/0077  
 2017/0113856 A1 4/2017 Hollis et al.  
 2017/0129097 A1 5/2017 Engvall et al.  
 2017/0370629 A1 12/2017 Fire  
 2018/0015938 A1 \* 1/2018 DeFrancia ..... A45C 11/20  
 2018/0127007 A1 5/2018 Kravchenko  
 2018/0141718 A1 5/2018 Ahlstrom et al.  
 2018/0141739 A1 5/2018 Hengen  
 2018/0274837 A1 9/2018 Christensen  
 2018/0312294 A1 11/2018 Wang et al.

OTHER PUBLICATIONS

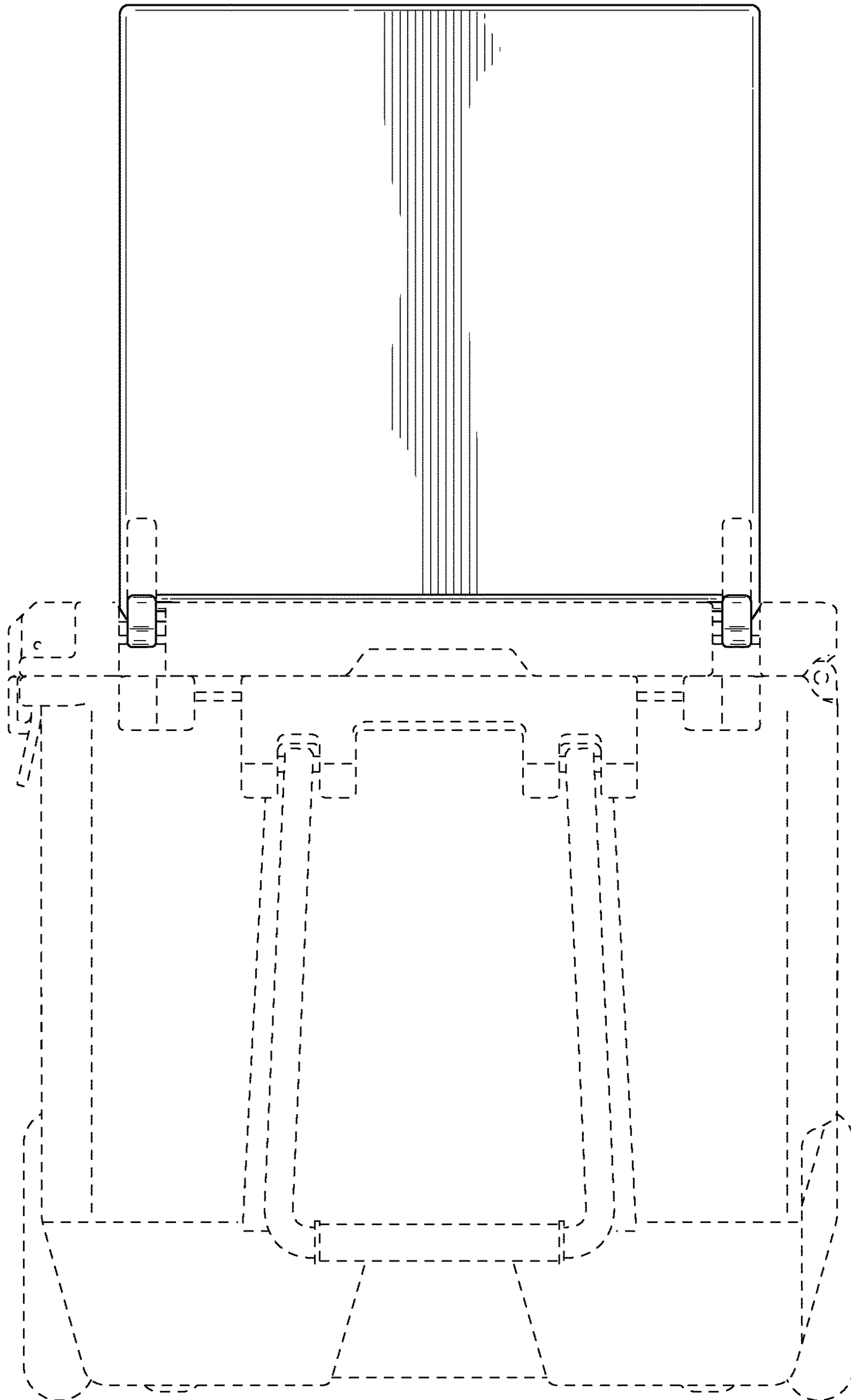
Thingiverse, "Simple Open Box by crazyman2099", Uploaded Mar. 30, 2014. (<https://www.thingiverse.com/thing:284623>) (Year: 2014).  
 Amazon, "Rovr 80 Quart Wheeled Camping Cooler", Jan. 9, 2017. (<https://www.amazon.com/Rovr-Quart-Wheeled-Camping-Cooler/dp/B01M0SKHGH>).  
 Igloo, All Terrain Cooler, 100 quart, Jun. 2015.  
 Pelican, ProGear 45-Quart Elite Wheeled Cooler, Oct. 2015.

\* cited by examiner

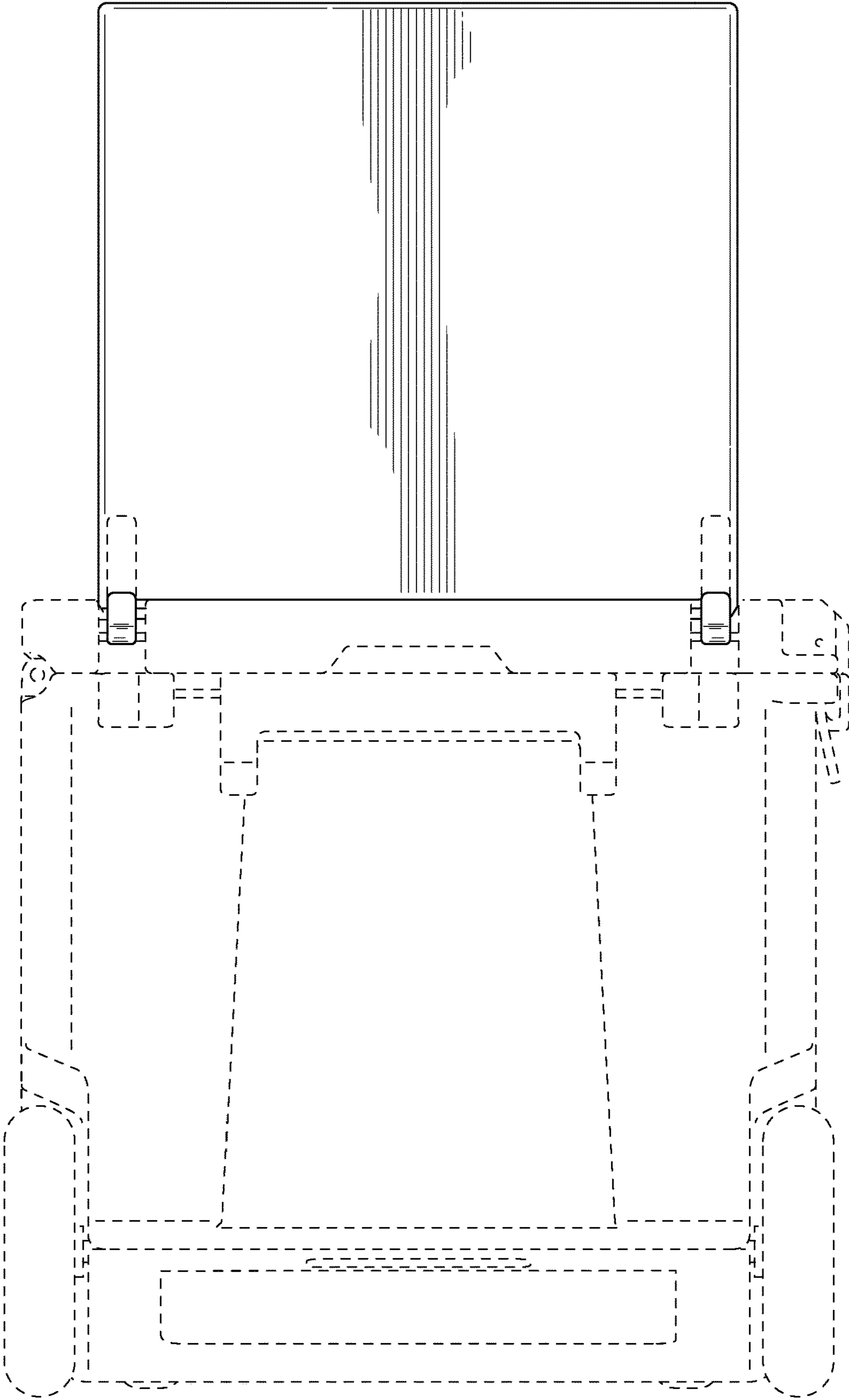




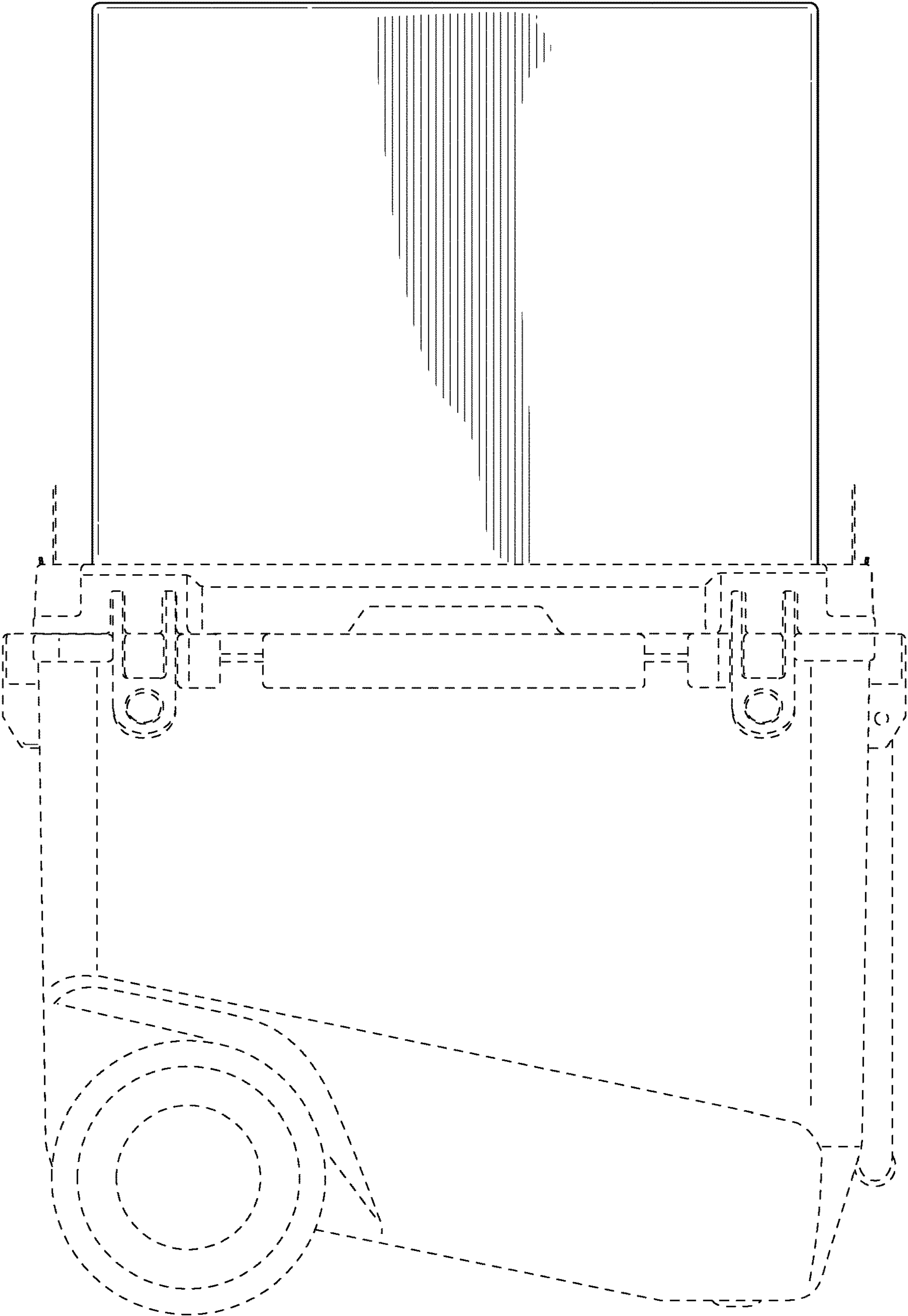
**FIG. 1**



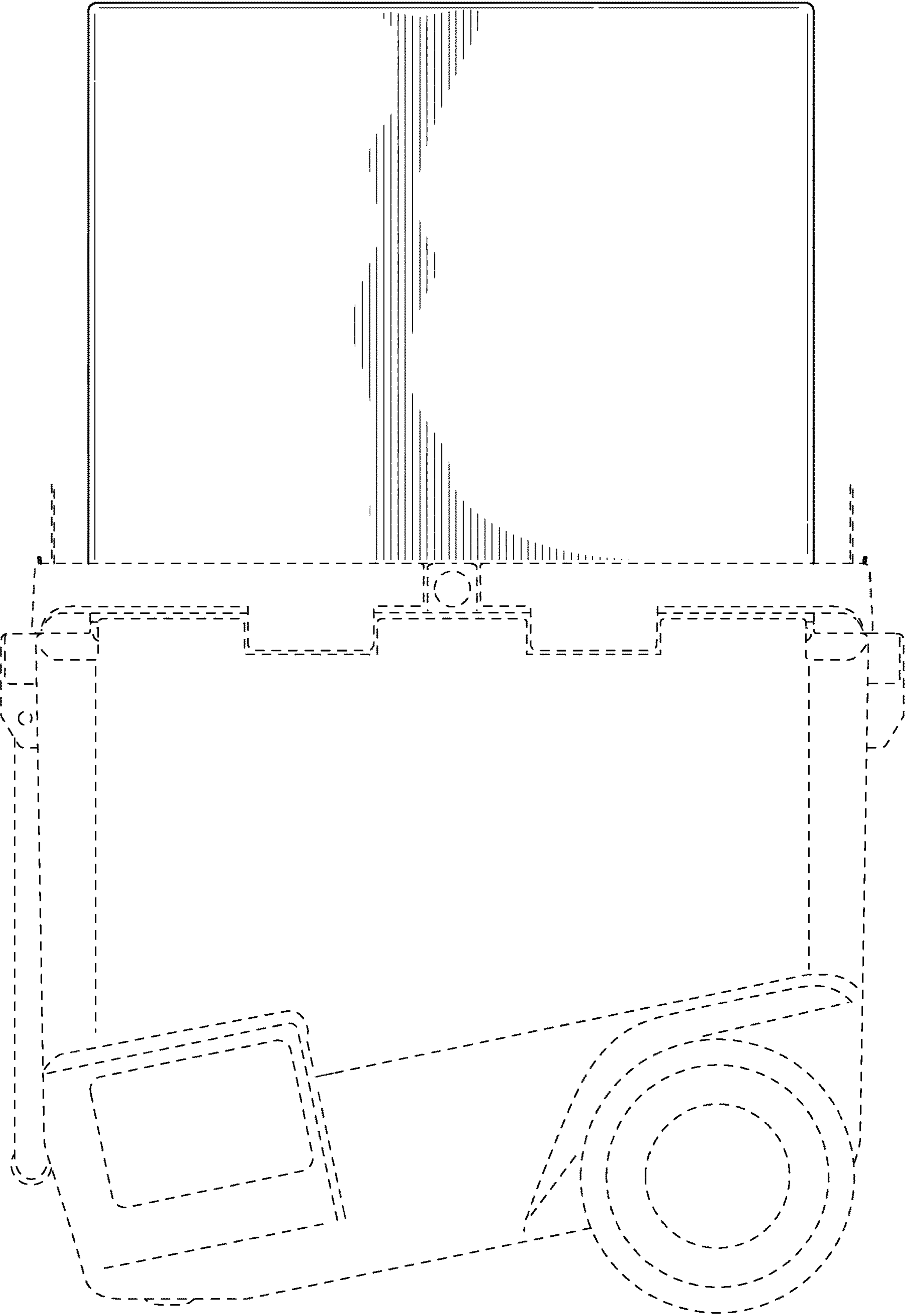
**FIG. 2**



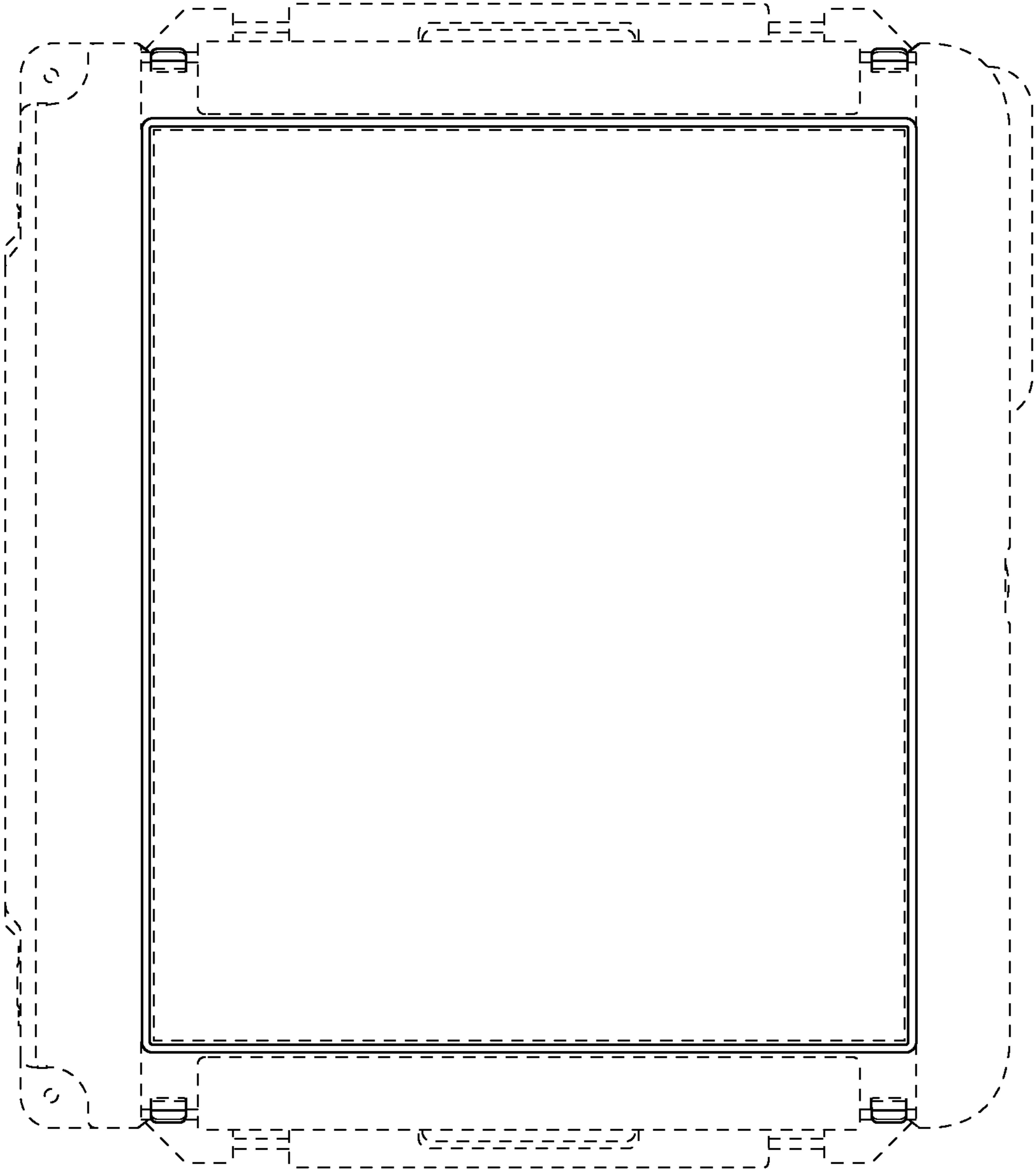
**FIG. 3**



**FIG. 4**

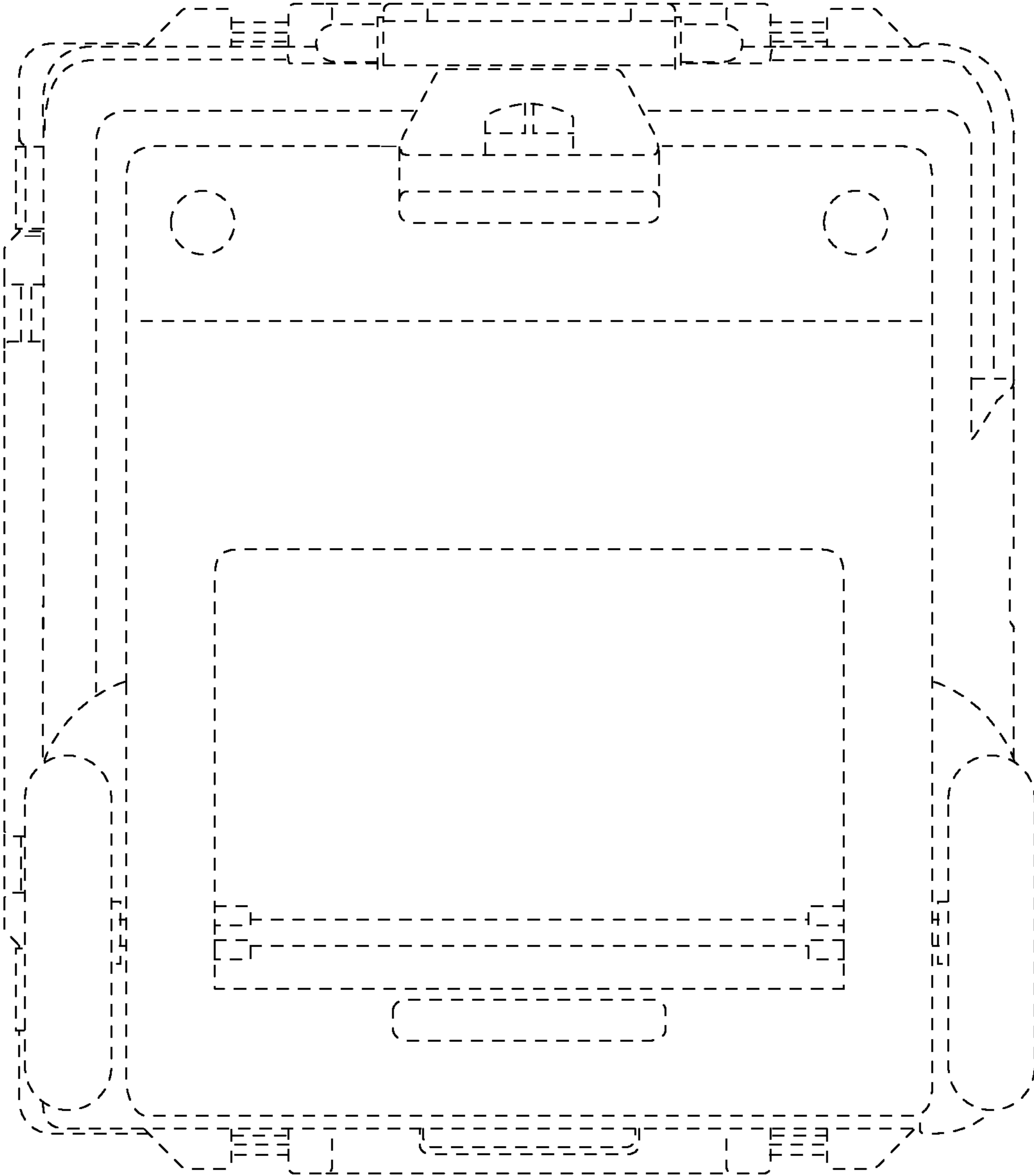


**FIG. 5**



**FIG. 6**





**FIG. 7**