



US00D873083S

(12) **United States Design Patent** (10) **Patent No.:** **US D873,083 S**  
**Finell et al.** (45) **Date of Patent:** **\*\* Jan. 21, 2020**

(54) **REUSABLE SEALABLE SNACK BAG**

D285,515 S 9/1986 Papciak ..... D24/119  
4,655,862 A 4/1987 Christoff et al. .... 156/66  
D291,659 S 9/1987 Powell ..... D7/507

(71) Applicant: **ZIP TOP, LLC**, Austin, TX (US)

(Continued)

(72) Inventors: **Rebecca M. Finell**, Austin, TX (US);  
**Joshua J. Nelson**, Mesa, AZ (US)

**FOREIGN PATENT DOCUMENTS**

(73) Assignee: **ZIP TOP, LLC**, Austin, TX (US)

JP D140735 S 11/2010  
JP D1454613 S 11/2012  
WO 2016/140746 A1 9/1916 ..... G01F 19/00

(\*\*) Term: **15 Years**

**OTHER PUBLICATIONS**

(21) Appl. No.: **29/699,278**

U.S. Non-Final Office Action, U.S. Appl. No. 15/910,757, 21 pages, dated Oct. 2, 2018.

(22) Filed: **Jul. 24, 2019**

(Continued)

**Related U.S. Application Data**

(63) Continuation-in-part of application No. 29/618,138, filed on Sep. 19, 2017.

*Primary Examiner* — Cynthia R Underwood

(51) **LOC (12) Cl.** ..... **07-07**

(74) *Attorney, Agent, or Firm* — Slayden Grubert Beard PLLC

(52) **U.S. Cl.**  
USPC ..... **D7/602**

(57) **CLAIM**

The ornamental design for a reusable sealable snack bag, as shown and described.

(58) **Field of Classification Search**  
USPC ..... D7/601, 602; D9/430; 426/85  
CPC ..... A47G 19/02; A47G 19/025  
See application file for complete search history.

**DESCRIPTION**

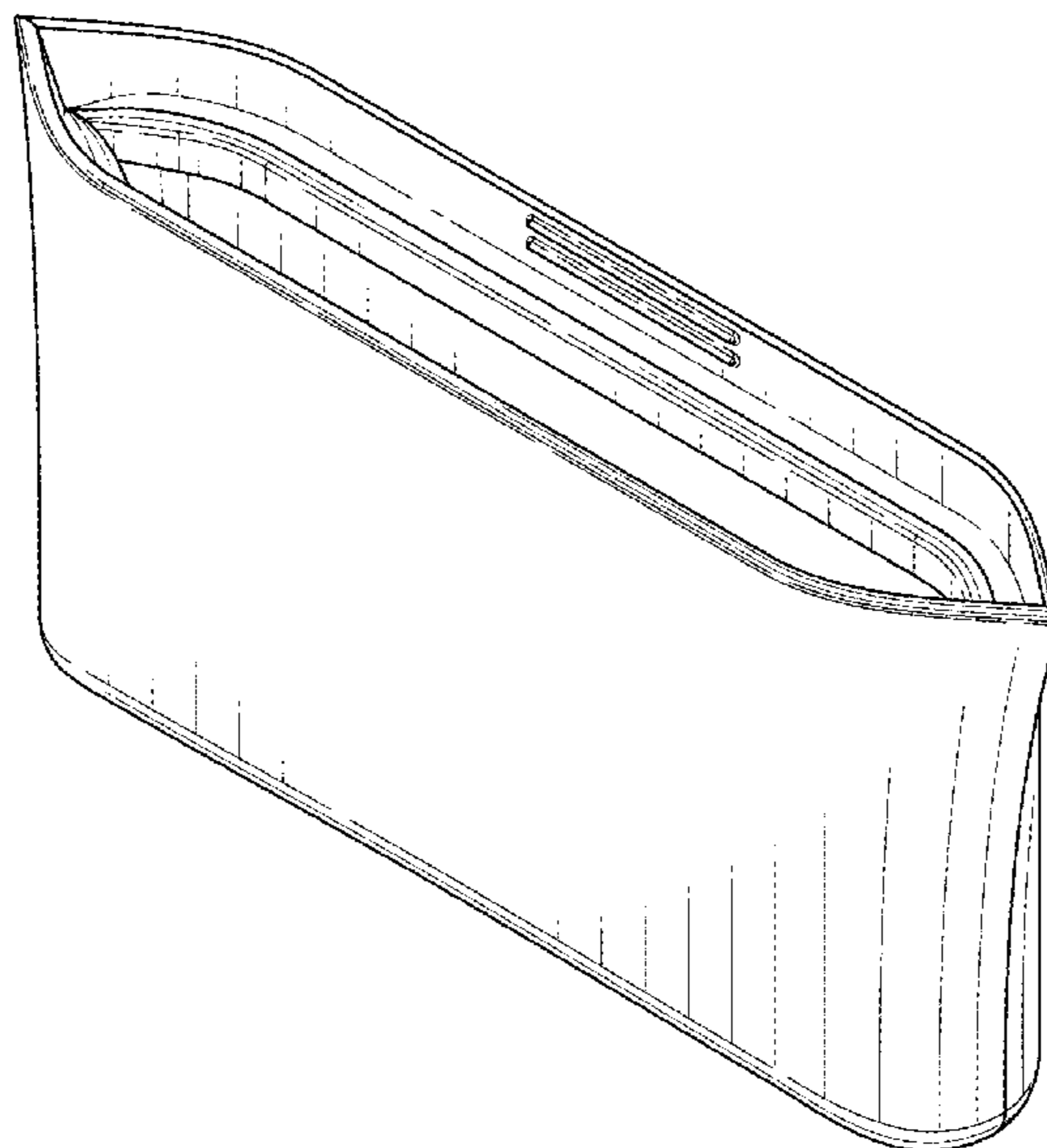
FIG. 1 illustrates a perspective top/front view of a reusable sealable snack bag, showing the new, original and ornamental design, wherein the snack bag is open and unsealed.  
FIG. 2 shows a front view of the reusable sealable snack bag shown in FIG. 1.  
FIG. 3 shows a back view of the reusable sealable snack bag shown in FIGS. 1-3.  
FIG. 4 shows a left side view of the reusable sealable snack bag shown in FIGS. 1-3.  
FIG. 5 illustrates a right side view of the reusable sealable snack bag shown in FIGS. 1-4.  
FIG. 6 shows a top view of the reusable sealable snack bag shown in FIGS. 1-5; and,  
FIG. 7 shows a bottom view of the reusable sealable snack bag shown in FIGS. 1-6.

(56) **References Cited**

**U.S. PATENT DOCUMENTS**

1,002,346 A 9/1911 Weeks ..... 229/400  
D77,091 S 11/1916 Nouri et al. .... D9/709  
2,012,113 A 8/1935 Thompson ..... 215/363  
2,117,738 A \* 5/1938 Metzger ..... B65D 35/00  
383/209  
2,165,277 A 7/1939 Herman ..... 229/405  
2,589,967 A 3/1952 Sawyer ..... 215/372  
2,861,716 A 11/1958 Kramer ..... 215/228  
3,354,601 A 11/1967 Schneider ..... 493/196  
3,799,914 A \* 3/1974 Schmitt et al. .... B65D 75/008  
426/85  
3,844,525 A 10/1974 Parmett ..... 249/127

**1 Claim, 4 Drawing Sheets**





(56)

## References Cited

## U.S. PATENT DOCUMENTS

- 5,499,763 A \* 3/1996 DeMars ..... A47G 19/02  
229/114
- D374,204 S 10/1996 Weder ..... D11/143
- 5,689,866 A 11/1997 Kasai ..... 24/400
- 5,758,473 A \* 6/1998 Patelli ..... B65B 9/20  
222/541.6
- D401,141 S 11/1998 Carroll et al. .... D9/608
- D407,970 S 4/1999 Planchard ..... D9/703
- D418,368 S 1/2000 Solland ..... D7/510
- D418,747 S 1/2000 Sagel ..... D9/707
- D419,867 S 2/2000 Hager et al. .... D9/608
- 6,050,432 A 4/2000 Koehnke ..... 215/11.3
- D423,877 S 5/2000 Kerr ..... D7/509
- 6,164,488 A 12/2000 Solland ..... 220/717
- 6,176,420 B1 1/2001 Sarson ..... 229/128
- 6,197,359 B1 3/2001 Llorente Hompanera ... 426/523
- 6,245,367 B1 \* 6/2001 Galomb ..... B65D 51/247  
206/541
- D456,211 S 4/2002 Price ..... D7/509
- D457,318 S 5/2002 Borland et al. .... D3/303
- D464,258 S \* 10/2002 Edwards ..... D9/708
- D470,361 S 2/2003 Trombly ..... D7/509
- D470,755 S 2/2003 Espinel ..... D9/707
- D482,614 S \* 11/2003 Countee, Jr. .... D7/705
- D495,209 S 8/2004 Tranfaglia ..... D7/509
- D502,364 S 3/2005 Chan ..... D7/509
- 7,029,178 B2 4/2006 Gzybowski ..... 383/64
- D522,183 S 5/2006 Wylie ..... D30/118
- 7,160,029 B2 1/2007 Bein et al. .... 383/67
- D541,171 S \* 4/2007 Delmotte ..... D9/709
- D553,442 S 10/2007 Bodum ..... D7/509
- D554,432 S 11/2007 Roth et al. .... D7/516
- D567,592 S \* 4/2008 Fite, IV ..... D7/566
- D580,779 S \* 11/2008 Hartwell ..... D9/705
- D582,790 S 12/2008 Friebe ..... D9/707
- D586,232 S 2/2009 Friebe ..... D9/707
- 7,524,111 B1 4/2009 Williams ..... 220/23.87
- D600,072 S 9/2009 Hayes ..... D7/509
- D605,895 S 12/2009 Abbott ..... D7/509
- D609,581 S 2/2010 Doyal ..... D9/703
- D616,760 S 6/2010 Deuerer ..... D9/611
- D618,302 S 6/2010 Williams ..... D23/209
- D622,109 S 8/2010 Hull et al. .... D7/630
- D657,950 S 4/2012 Herman ..... D3/202
- D660,446 S 5/2012 Baltazar ..... D24/208
- 8,220,651 B2 7/2012 Norcom ..... 220/1.6
- D668,118 S \* 10/2012 Hayes ..... D7/602
- D672,202 S \* 12/2012 Craft ..... D7/586
- D683,190 S 5/2013 Shields ..... D7/544
- D683,592 S 6/2013 Shields ..... D7/544
- D684,867 S \* 6/2013 English ..... D9/707
- D684,868 S \* 6/2013 Kessler, Jr. .... D9/707
- D686,508 S 7/2013 Kling ..... D9/703
- 8,479,972 B2 \* 7/2013 Craft ..... B65D 5/029  
229/101
- D689,370 S \* 9/2013 Bower ..... D9/707
- 8,523,440 B2 9/2013 Walker et al. .... 383/202
- D690,995 S 10/2013 Franco ..... D7/516
- D705,654 S 5/2014 Wurth et al. .... D9/451
- 8,864,015 B2 10/2014 Lu ..... 229/128
- D722,805 S 2/2015 Banos ..... D7/301
- D736,099 S 8/2015 Deuerer ..... D9/707
- D739,727 S 9/2015 Olson ..... D9/436
- D750,334 S 2/2016 Comstock ..... D32/30
- D755,017 S \* 5/2016 Piechocinski ..... D7/554.2
- 9,371,153 B1 6/2016 Nouri et al.
- D772,493 S 11/2016 Wu ..... D30/129
- D772,723 S 11/2016 Murray ..... D9/707
- D782,450 S 3/2017 Jones ..... D14/240
- D791,609 S 7/2017 Rotman ..... D9/611
- 9,737,161 B1 8/2017 Li ..... A47G 19/22
- 9,751,655 B2 9/2017 Herman ..... B65D 5/02
- D804,959 S 12/2017 Anda ..... D9/705
- D809,875 S 2/2018 Delgado Carmona ..... D7/628
- D809,876 S 2/2018 Delgado Carmona ..... D7/628
- D811,796 S 3/2018 Joseph ..... D7/325
- D812,487 S 3/2018 Soegyanto ..... D9/702
- D813,684 S \* 3/2018 Williams, Jr. .... D9/703
- D815,365 S 4/2018 Scariot et al. .... D30/118
- D815,544 S 4/2018 Soegyanto ..... D9/702
- D817,109 S 5/2018 Kilicarslan ..... D7/611
- D826,063 S \* 8/2018 Kwon ..... D9/643
- D831,432 S 10/2018 Lv ..... D7/606
- D851,853 S 6/2019 Khan ..... D99/5
- D854,325 S \* 7/2019 Myerson ..... D3/304
- D856,086 S 8/2019 Goulet ..... D7/519
- D858,200 S 9/2019 Wang ..... D7/516
- D860,001 S 9/2019 Sahatjian ..... D9/707
- 2003/0066870 A1 \* 4/2003 Stewart ..... B65D 3/14  
229/125.09
- 2005/0194386 A1 9/2005 Shai ..... 220/287
- 2006/0191929 A1 8/2006 Berg, Jr. et al. .... 220/6
- 2006/0191985 A1 8/2006 Norcom ..... 229/117.05
- 2006/0193541 A1 8/2006 Norcom ..... 383/200
- 2008/0050053 A1 2/2008 Szczesuil ..... 383/66
- 2008/0087268 A1 4/2008 Burton ..... 126/9 R
- 2009/0110335 A1 4/2009 Leboeuf ..... 383/63
- 2009/0279810 A1 11/2009 Nobles ..... 383/66
- 2010/0012531 A1 1/2010 Steele ..... 206/216
- 2010/0072224 A1 3/2010 Ha ..... 222/107
- 2010/0314434 A1 12/2010 Herman ..... 229/107
- 2011/0017812 A1 1/2011 Belko et al. .... 229/117.27
- 2011/0017814 A1 1/2011 Belko et al. .... 229/124
- 2011/0132910 A1 6/2011 Willat ..... 220/495.03
- 2011/0203944 A1 8/2011 Singer ..... 206/204
- 2011/0297680 A1 12/2011 Howell et al. .... 220/266
- 2012/0060449 A1 3/2012 Howell et al. .... 53/456
- 2012/0187182 A1 7/2012 Howell et al. .... 229/102
- 2012/0269469 A1 10/2012 Long et al. .... 383/210.1
- 2013/0084028 A1 4/2013 Cross ..... 383/33
- 2013/0105352 A1 5/2013 Munguia ..... 206/524.6
- 2014/0042217 A1 2/2014 Houck ..... 229/404
- 2014/0212075 A1 7/2014 Cross ..... 383/64
- 2014/0226921 A1 8/2014 Albers ..... 383/86.2
- 2014/0245698 A1 9/2014 Steele ..... 53/410
- 2014/0270579 A1 9/2014 Nouri ..... 383/25
- 2015/0203250 A1 7/2015 Denis ..... 383/63
- 2018/0251267 A1 9/2018 Finell ..... B65D 33/2508
- 2019/0270546 A1 9/2019 Finell

## OTHER PUBLICATIONS

- U.S. Final Office Action, U.S. Appl. No. 15/910,757, 17 pages, dated Feb. 21, 2019.
- U.S. Final Office Action, U.S. Appl. No. 15/910,757, 22 pages, dated Sep. 18, 2019.
- U.S. Non-Final Office Action, U.S. Appl. No. 16/154,134, 39 pages, dated Oct. 1, 2019.
- U.S. Non-Final Office Action, U.S. Appl. No. 29/699,634, 14 pages, dated Oct. 21, 2019.
- U.S. Non-Final Office Action, U.S. Appl. No. 29/699,650, 14 pages, dated Oct. 21, 2019.
- U.S. Non-Final Office Action, U.S. Appl. No. 29/699,656, 14 pages, dated Oct. 21, 2019.
- U.S. Advisory Action, U.S. Appl. No. 15/910,757, 3 pages, dated Oct. 28, 2019.
- U.S. Notice of Allowance, U.S. Appl. No. 29/699,611, 16 pages, dated Oct. 30, 2019.
- Partial European Search Report, Application No. 18159842.6, 9 pages, dated Jun. 29, 2018.
- Extended European Search Report and Written Opinion, Application No. 18159842.6, 9 paged, dated Oct. 19, 2018.
- Chinese Office Action, Application No. 201830099279.2, 1 page, dated Jul. 9, 2018.
- Taiwan Office Action, Taiwan Design Application No. 107301543, 4 pages, dated Dec. 18, 2018.
- Chinese Office Action, Application No. 201830098713.5, 1 page, dated Jul. 5, 2018.
- Chinese Office Action, Application No. 201830098714.X, 1 page, dated Jul. 11, 2018.

(56)

**References Cited**

OTHER PUBLICATIONS

Taiwan Office Action, Application No. 107301545, 6 pages, dated Sep. 12, 2018.

Taiwan Office Action, Application No. 107301546, 5 pages, dated Sep. 12, 2018.

Chinese Office Action, Application No. 201830099010.4, 1 page, dated Jul. 11, 2018.

U.S. Non-Final Office Action, U.S. Appl. No. 15/910,757, 18 pages, dated Jun. 14, 2019.

\* cited by examiner

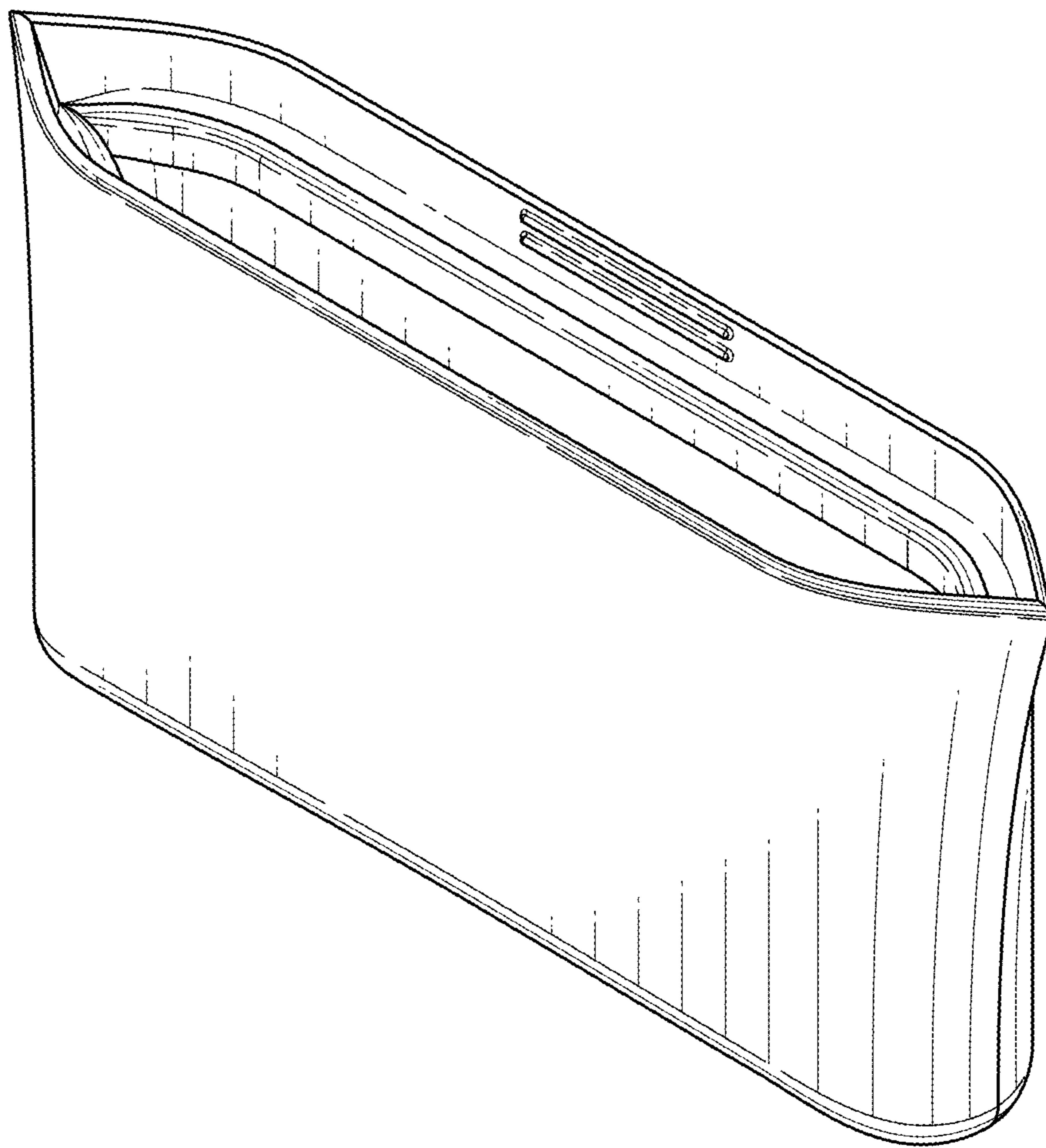


FIG. 1



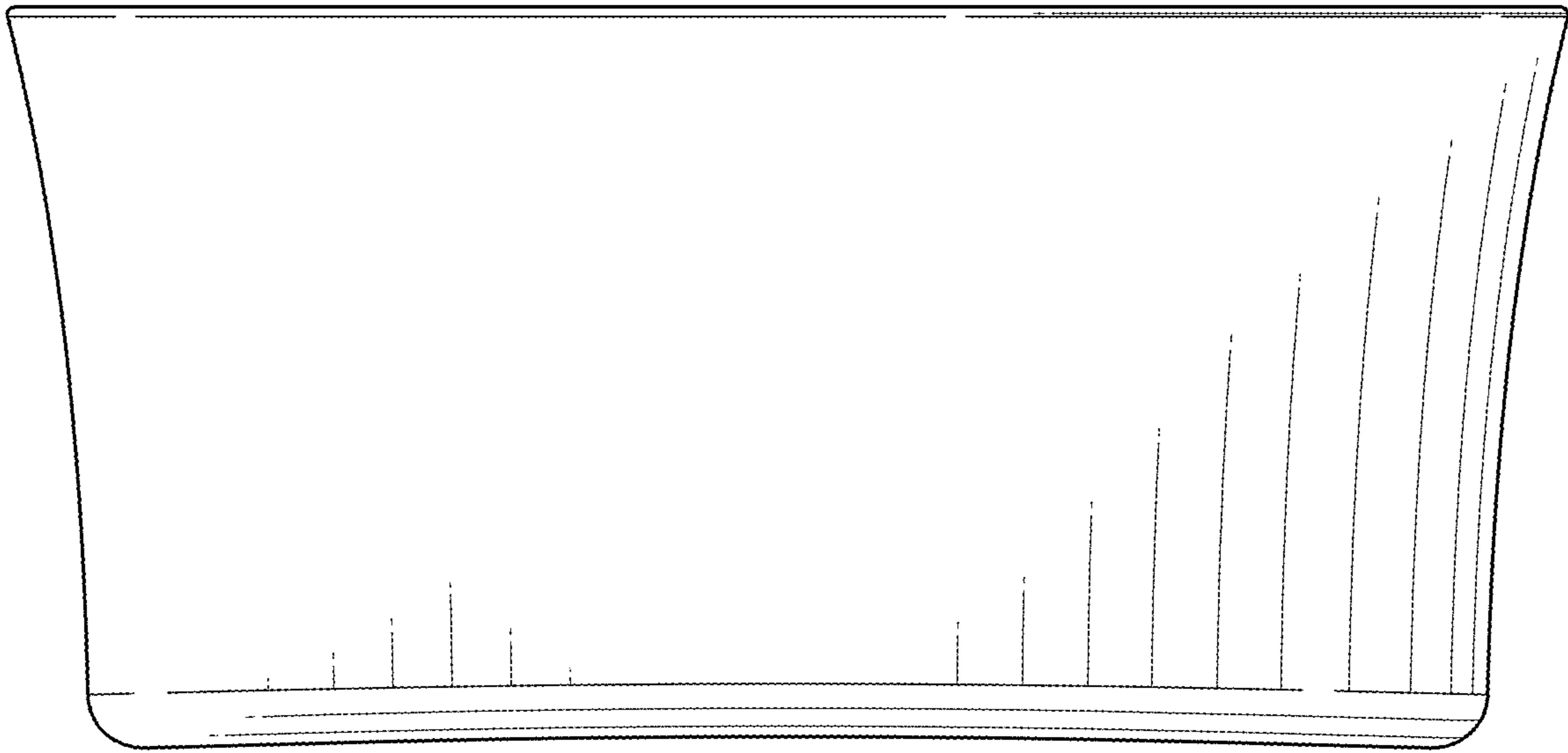


FIG. 2

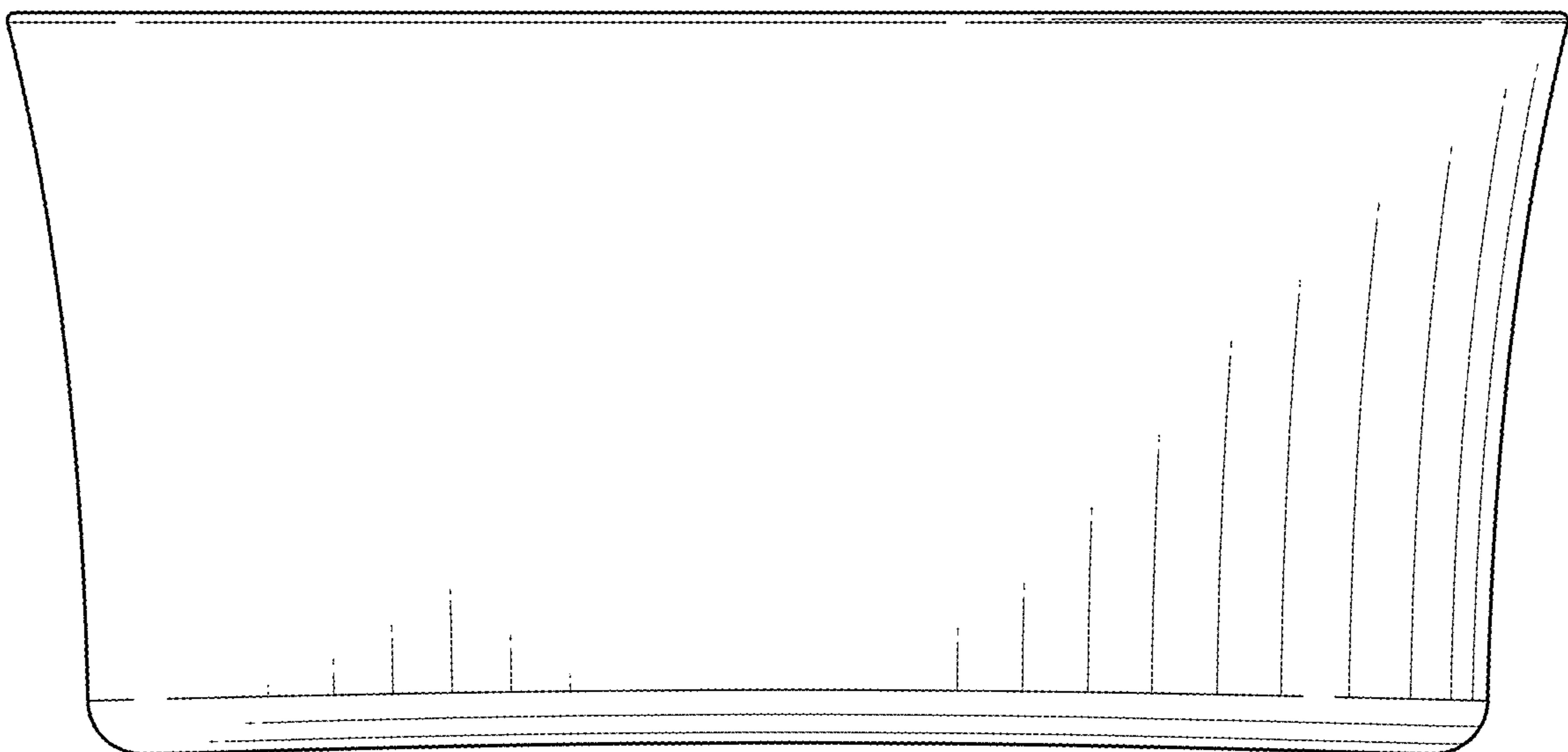


FIG. 3

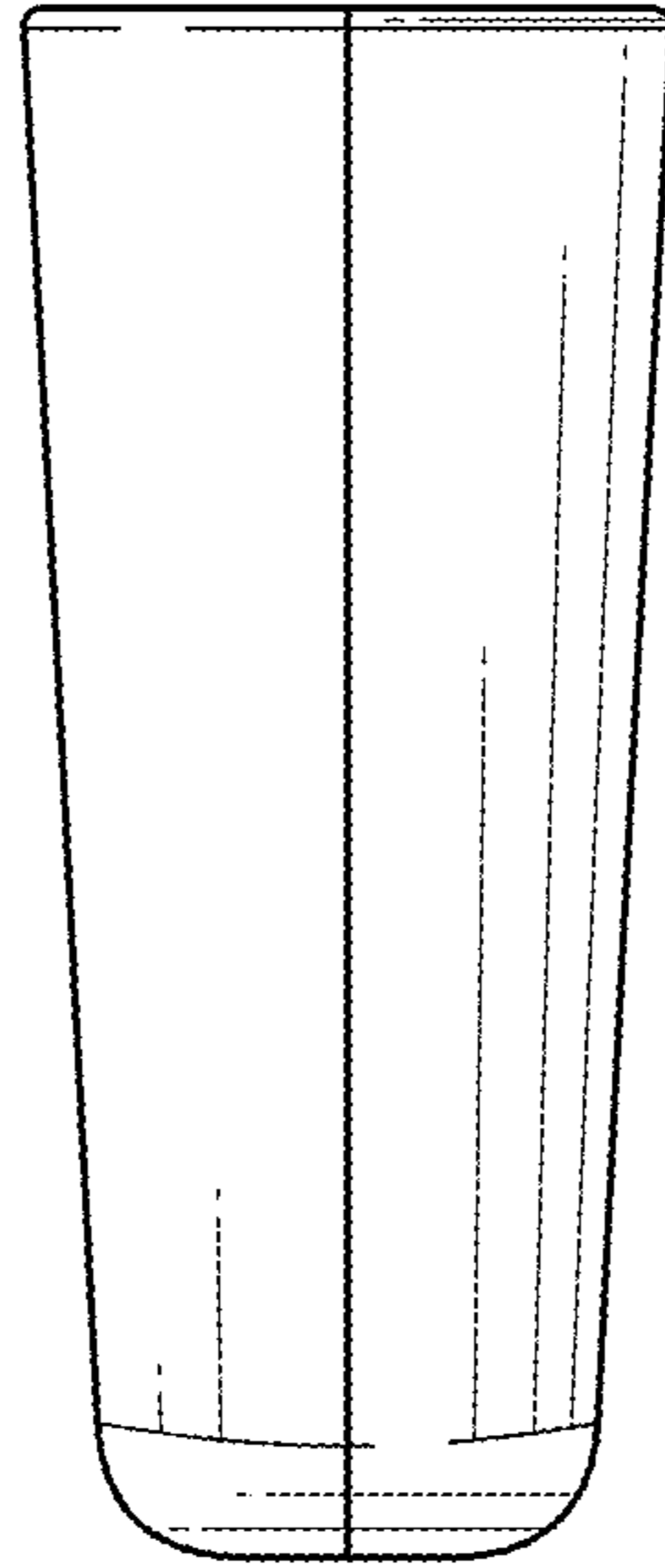


FIG. 4

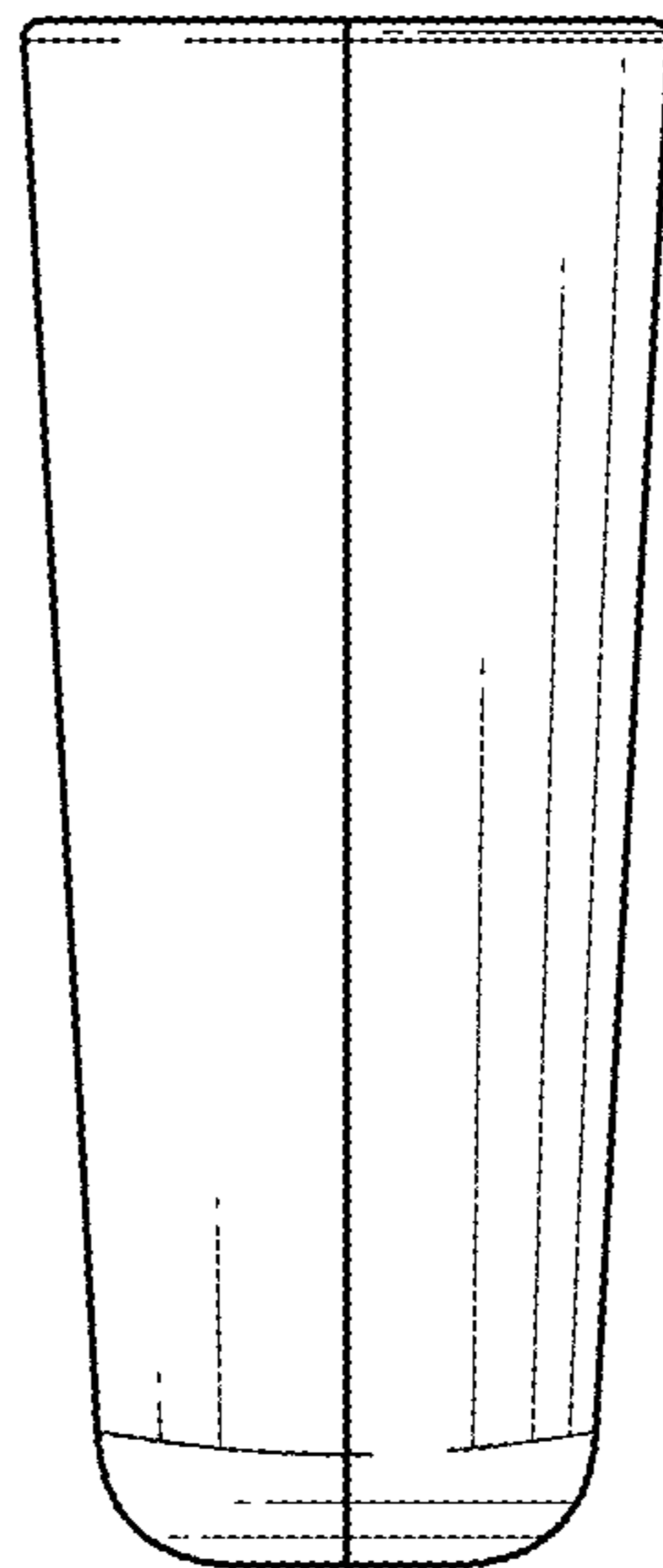


FIG. 5

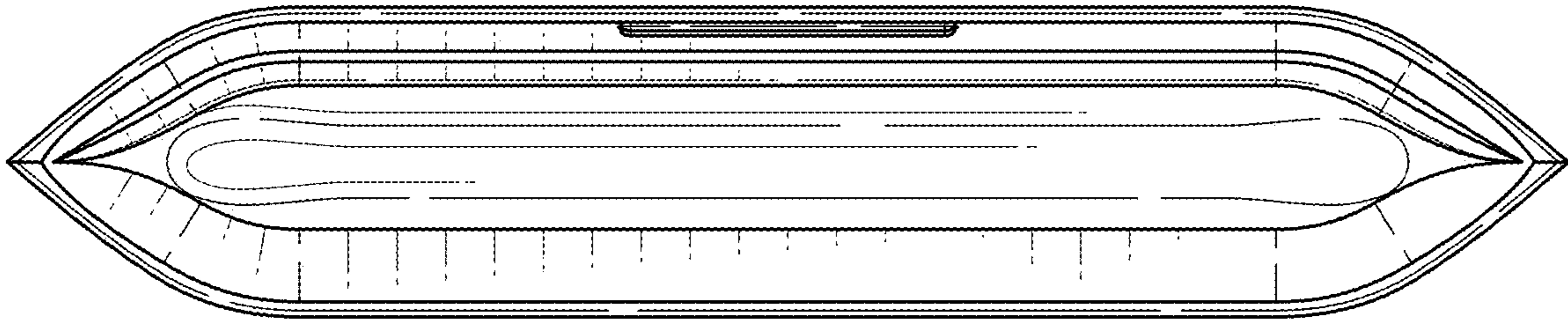


FIG. 6

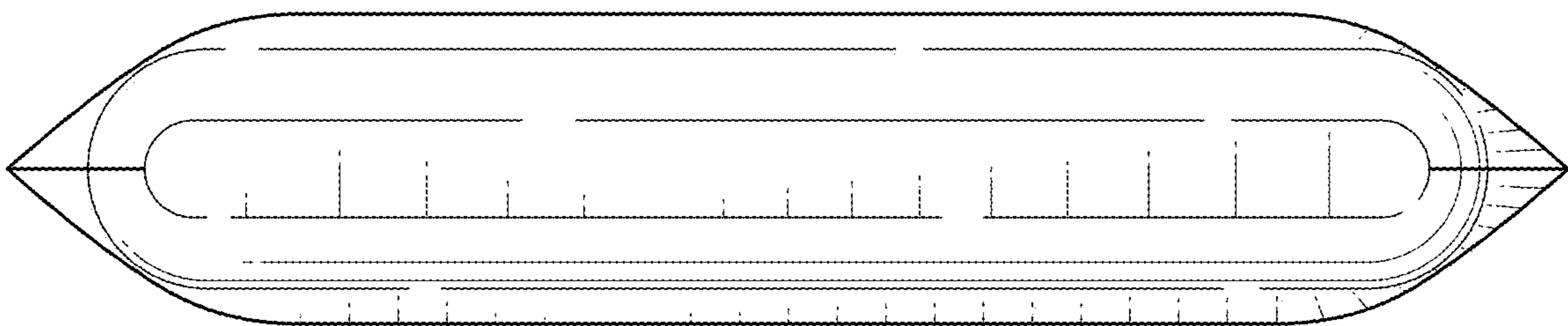


FIG. 7