



US00D873081S

(12) **United States Design Patent**
Goodman et al.

(10) **Patent No.:** **US D873,081 S**
(45) **Date of Patent:** **** Jan. 21, 2020**

(54) **SPICE RACK**
(71) Applicant: **Spectrum Diversified Designs, LLC**,
Streetsboro, OH (US)
(72) Inventors: **Aaron Goodman**, Beachwood, OH
(US); **Courtney Wilson**, Chardon, OH
(US)
(73) Assignee: **Spectrum Diversified Designs, LLC**,
Streetsboro, OH (US)

2,254,770 A * 9/1941 Bitney A47F 5/01
108/186
2,560,896 A * 7/1951 Rubenstein A47F 5/01
211/106
2,672,988 A * 3/1954 Johnson B60N 3/007
211/88.01
2,903,137 A * 9/1959 Brown A47B 55/02
211/104

(Continued)

(**) Term: **15 Years**

FOREIGN PATENT DOCUMENTS
CN 303734300 * 7/2016

(21) Appl. No.: **29/639,367**

OTHER PUBLICATIONS

(22) Filed: **Mar. 6, 2018**

Vintage Wall Mount 2-Tier Letter Holder and Key Rack, Spectrum Diversified, spectrumdiversified.com, published by Spectrum, date not listed © 2018 Spectrum Diversified, online, site visited Dec. 31, 2018. Available from Internet, URL: <https://www.spectrumdiversified.com/products/vintage-wall> . . . (Year: 2018).*

(51) **LOC (12) Cl.** **07-99**

(52) **U.S. Cl.**
USPC **D7/600.1**

(58) **Field of Classification Search**
USPC D7/602, 704-705, 707, 590, 592-597,
D7/600.1-600.2, 630-632, 635, 640;
D6/524-525, 537, 546, 556, 566, 677.2,
D6/692.4-692.5, 696.3, 520, 534-535;
211/30, 106, 106.01, 181.1; D9/681, 761,
D9/741, 747, 737-739, 751, 756-758;
D3/306; 206/8, 202, 513; 248/146;
D19/90; 312/330.1
CPC .. A47F 5/01; A47F 5/02; A47F 7/0064; A47L
19/04; F16M 11/00; A47K 3/281; A47K
1/09; A47B 55/02; A47B 88/90; A47B
88/40; A47G 21/001; A47J 47/02; A47J
47/06; A47J 47/10

Primary Examiner — Marissa J Cash
Assistant Examiner — Altaira J Swangin
(74) *Attorney, Agent, or Firm* — Tucker Ellis LLP

See application file for complete search history.

(57) **CLAIM**

The ornamental design for a spice rack, as shown and described.

(56) **References Cited**

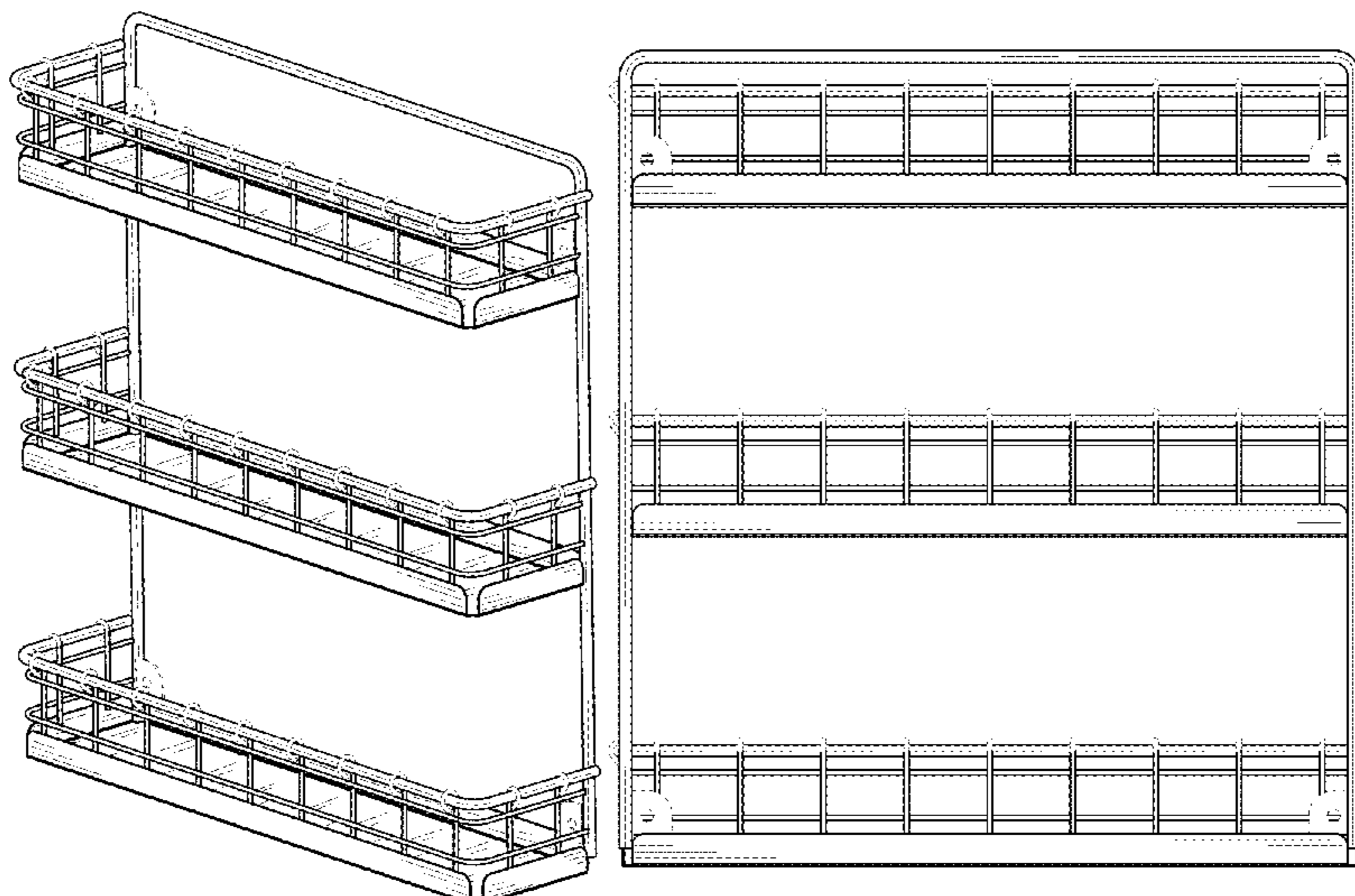
U.S. PATENT DOCUMENTS

921,694 A * 5/1909 Hall A47B 87/0261
206/511
1,706,081 A * 3/1929 Schulze A47B 55/02
211/106

DESCRIPTION

FIG. 1 is a top, front, right perspective view of a spice rack showing our new design.
FIG. 2 is a front view thereof.
FIG. 3 is a rear view thereof.
FIG. 4 is a right side view thereof.
FIG. 5 is a left side view thereof.
FIG. 6 is a top view thereof; and,
FIG. 7 is a bottom view thereof.
The broken lines show portions of the design that form no part of the claimed design.

1 Claim, 7 Drawing Sheets



(56)

References Cited

U.S. PATENT DOCUMENTS

3,139,258	A *	6/1964	Handler	A47B 57/045				
					108/107				
D217,684	S *	5/1970	Stewart	211/75				
4,173,378	A *	11/1979	Hanson	F25D 23/069				
					312/270.3				
D255,187	S *	6/1980	Hager	D23/313				
D276,009	S *	10/1984	Ousley	D6/525				
D463,182	S *	9/2002	Klein	D6/327				
D463,697	S *	10/2002	Klein	D6/514				
D473,411	S *	4/2003	Walker	D6/525				
D479,074	S *	9/2003	Snell	A47K 3/281				
					D6/525				
D552,393	S *	10/2007	Rosen	A47K 3/281				
					D6/525				
D568,657	S *	5/2008	Snider	A47K 3/281				
					D6/525				
D572,062	S *	7/2008	Snider	A47K 3/281				
					D6/525				
D592,251	S *	5/2009	Goodman	D19/90				
D617,128	S *	6/2010	Guindi	A47K 3/281				
					D6/525				
D649,822	S *	12/2011	Goodman	D6/566				
D650,203	S *	12/2011	Klein	D6/677.1				
D703,005	S *	4/2014	Tiemann	D7/600.1				
D739,681	S *	9/2015	Bee	D7/600.4				
D743,748	S *	11/2015	Tiemann	D7/600.1				
D750,442	S *	3/2016	Tiemann	D7/600.1				
D755,574	S *	5/2016	Lee	D7/600.1				
D756,168	S *	5/2016	Tsai	D6/705.6				
D760,033	S *	6/2016	Khaitan	D7/600.4				
D764,236	S *	8/2016	Hertaus	D7/600.1				
D772,016	S *	11/2016	Tsai	D6/675.2				
D781,621	S *	3/2017	Nava	D6/675.2				
D799,252	S *	10/2017	Coretti, Jr.	D6/705				
D802,369	S *	11/2017	Hertaus	D7/600.1				
D804,225	S *	12/2017	Bian	D6/675.5				
D826,325	S *	8/2018	Goodman	D19/90				
D832,614	S *	11/2018	Jun	D6/566				
D835,911	S *	12/2018	Goodman	D3/306				
D838,508	S *	1/2019	Ghiorghie	D6/525				
D838,980	S *	1/2019	Wilson	D3/306				
D839,641	S *	2/2019	Cao	D6/675.2				
D844,989	S *	4/2019	Wilson	D3/306				
D846,303	S *	4/2019	Wilson	D6/566				
D847,585	S *	5/2019	Goodman	D7/631				
D855,351	S *	8/2019	Goodman	D6/566				
2004/0060882	A1 *	4/2004	Messel	A47B 81/00				
					211/87.01				
2004/0188369	A1 *	9/2004	Yu	A47K 5/04				
					211/106				
2005/0006541	A1 *	1/2005	Magnusson	A47B 96/1416				
					248/235				
2006/0032829	A1 *	2/2006	Hutzler	A47B 13/02				
					211/187				
2015/0327681	A1 *	11/2015	Hsieh	A47B 81/00				
					211/88.01				
2015/0366408	A1 *	12/2015	Cohen	A47B 5/04				
					211/85.12				
2016/0091118	A1 *	3/2016	Alexander	E03C 1/06				
					248/56				
2019/0038110	A1 *	2/2019	Manooki	A47L 19/04				

* cited by examiner

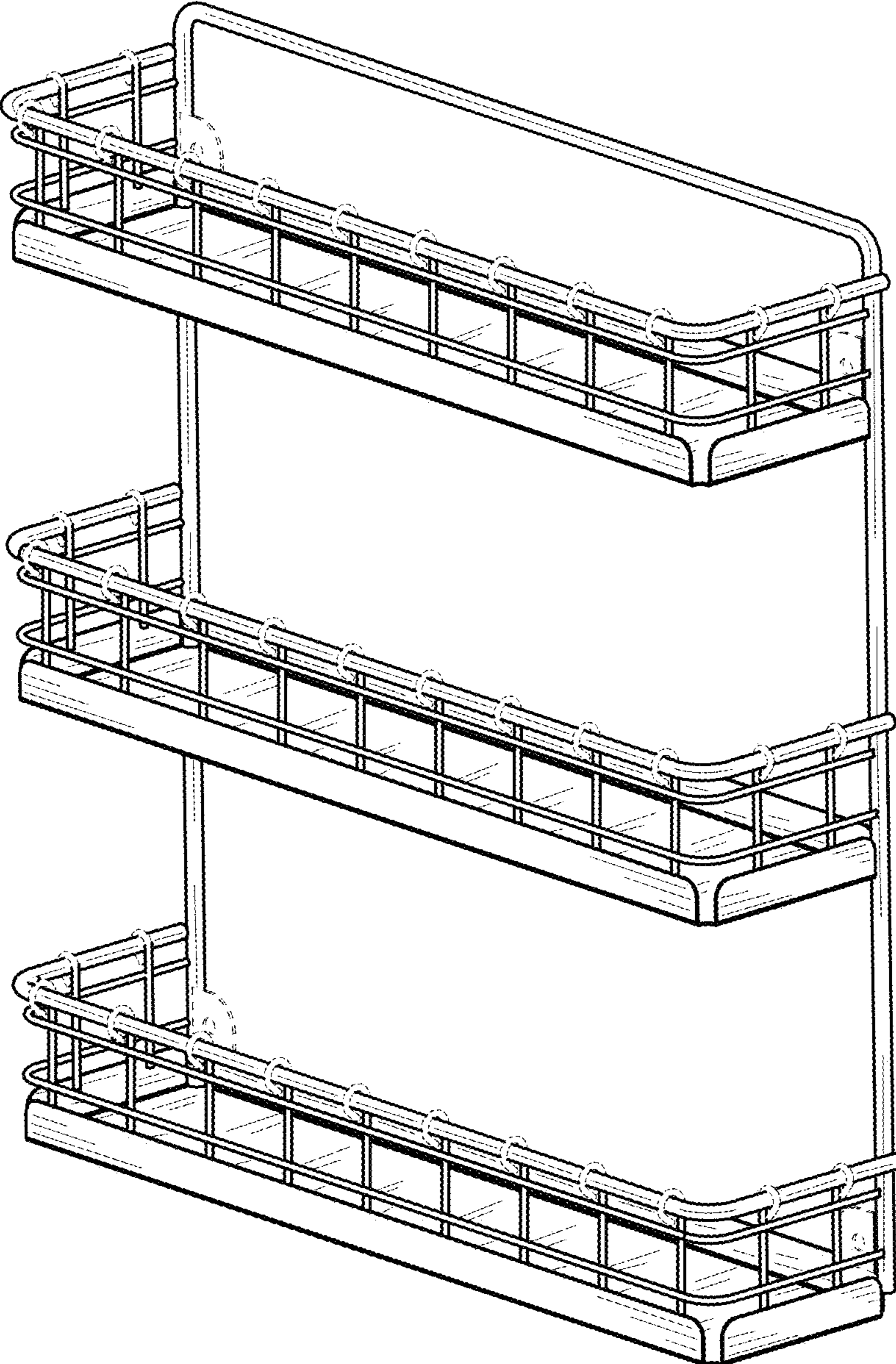


FIG. 1

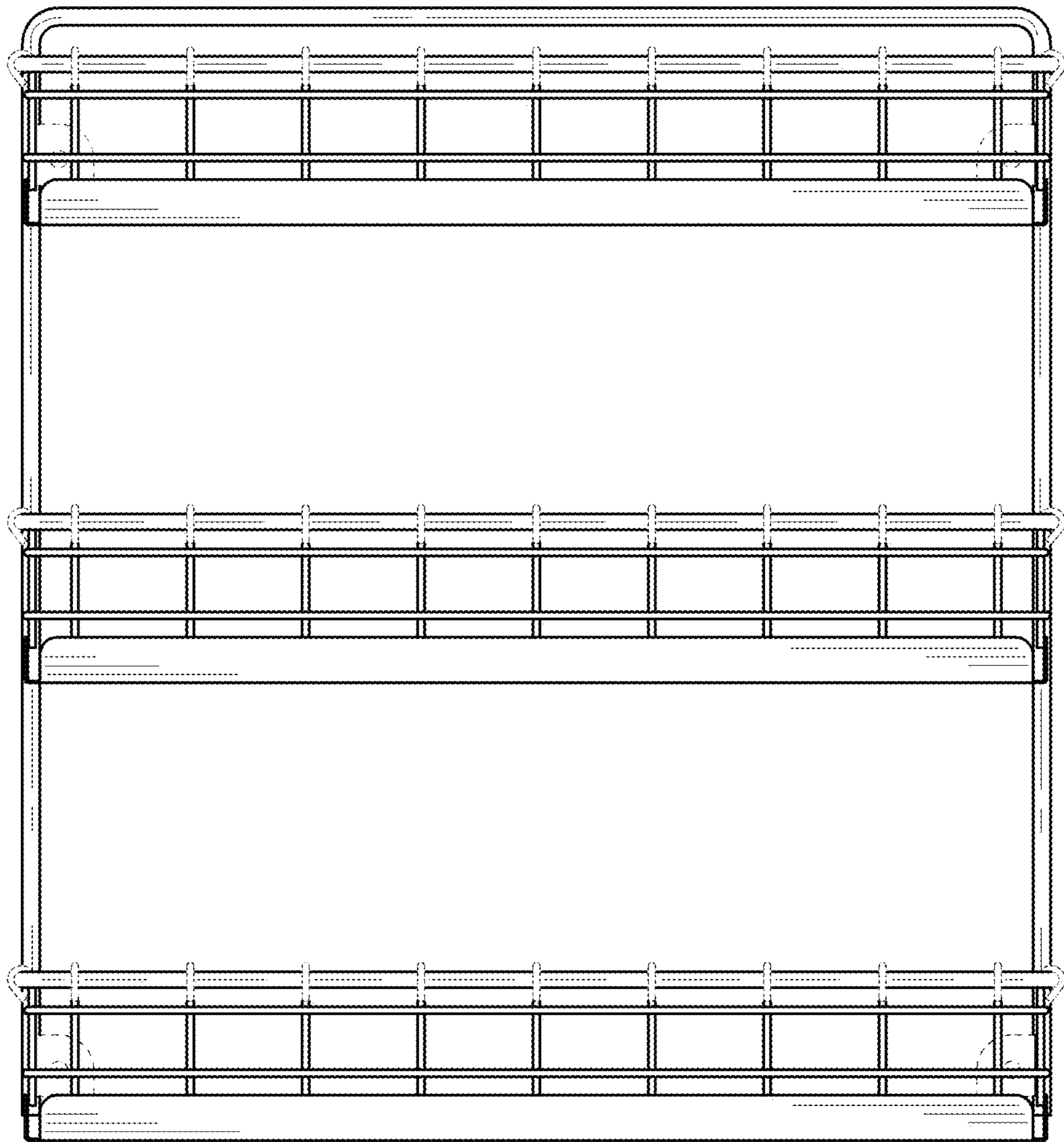


FIG. 2

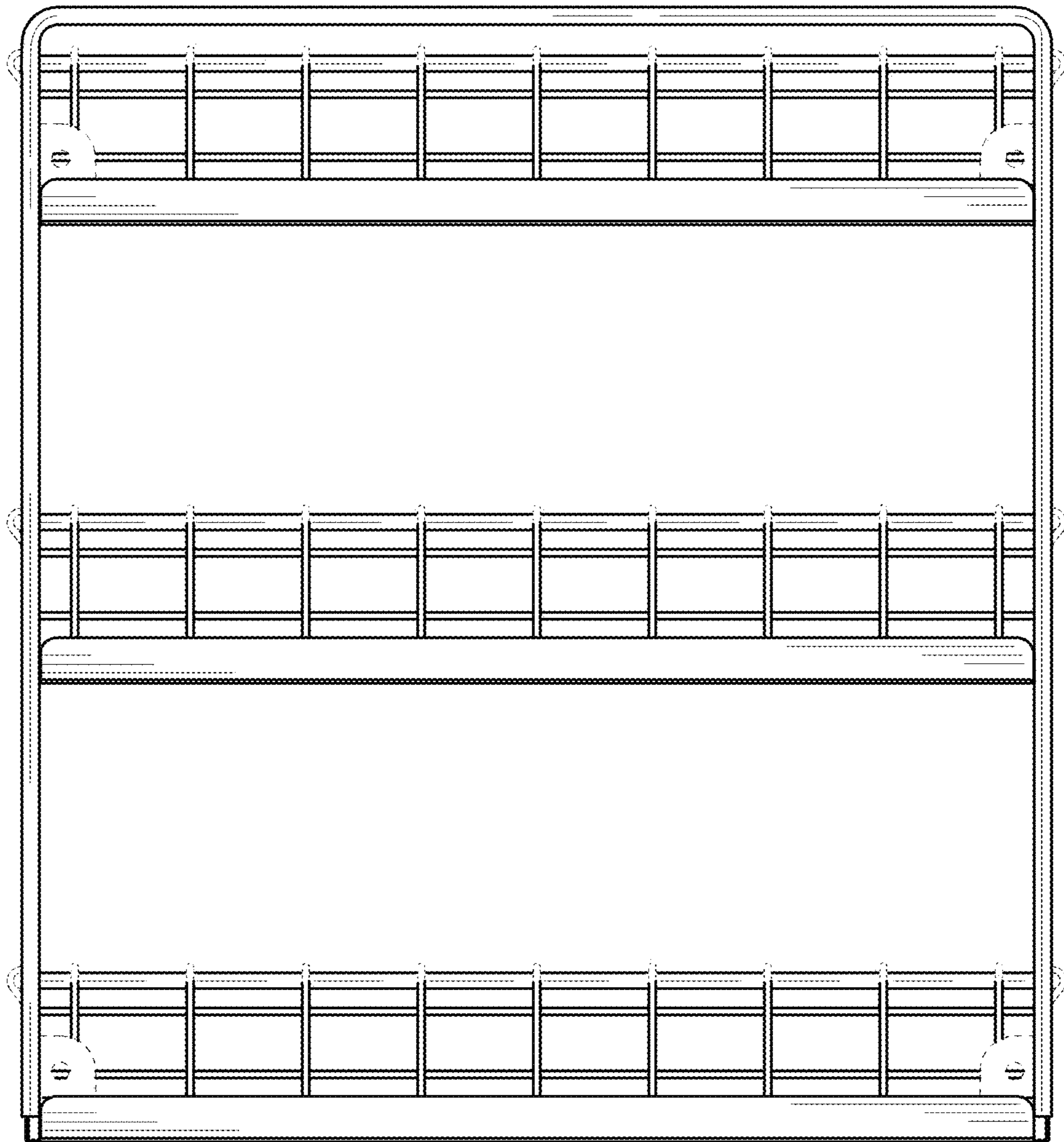


FIG. 3

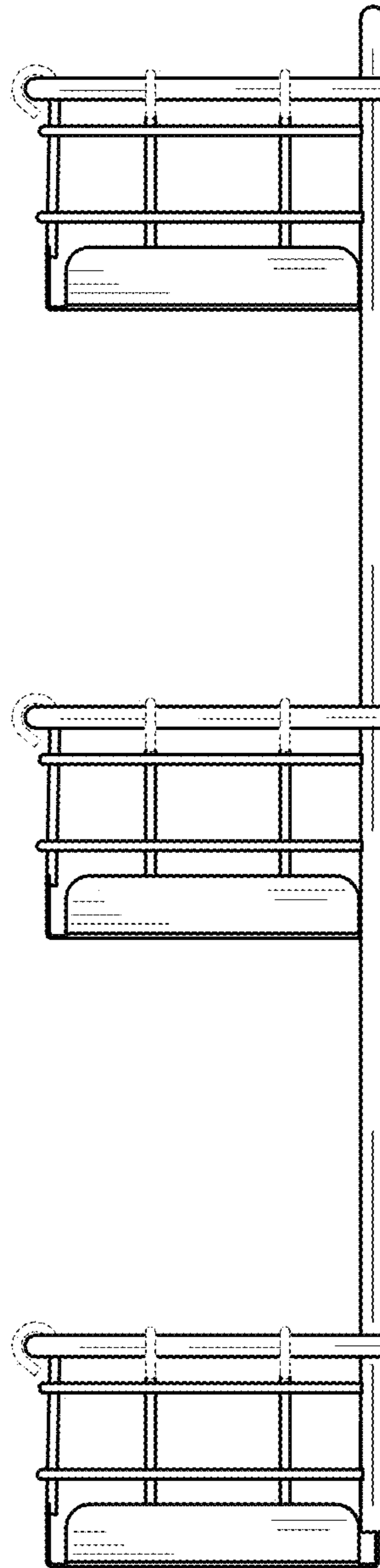


FIG. 4

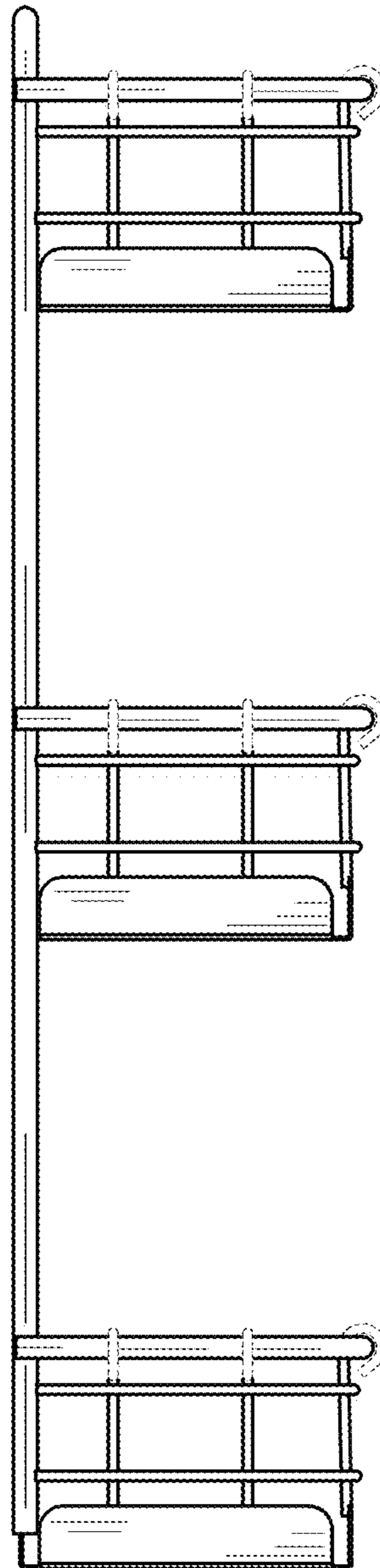


FIG. 5

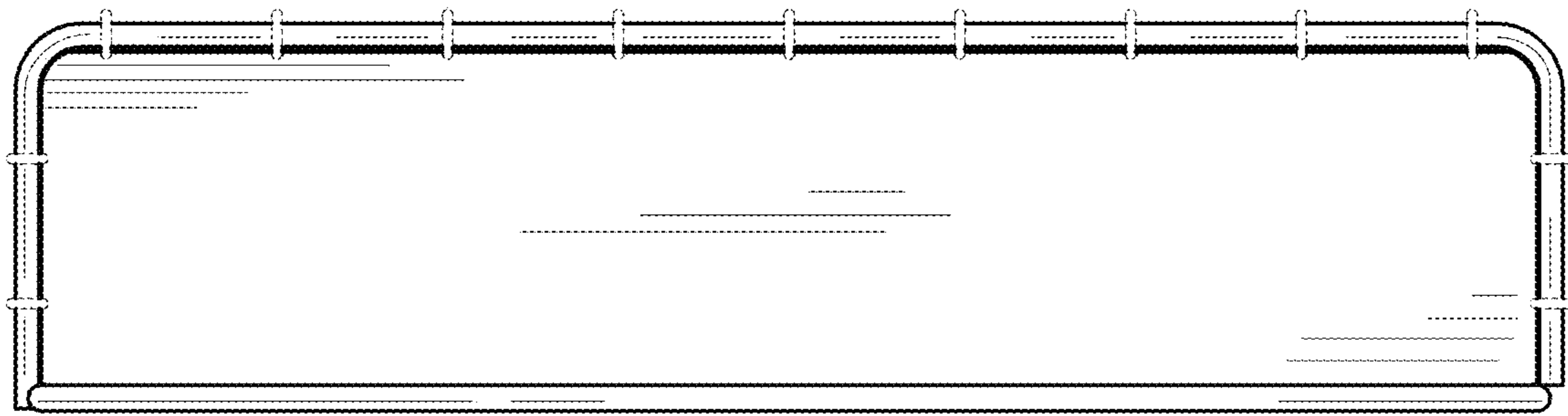


FIG. 6

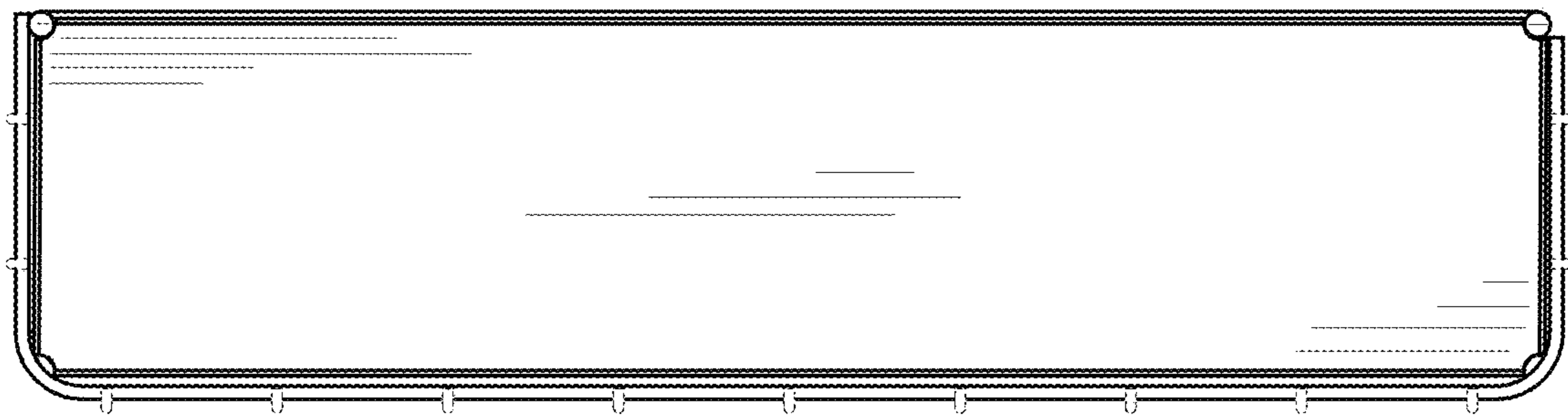


FIG. 7