



US00D873079S

(12) **United States Design Patent**
Morito

(10) **Patent No.:** **US D873,079 S**
(45) **Date of Patent:** **** Jan. 21, 2020**

- (54) **BOWL**
- (71) Applicant: **Yasumitsu Morito**, New York, NY
(US)
- (72) Inventor: **Yasumitsu Morito**, New York, NY
(US)
- (**) Term: **15 Years**
- (21) Appl. No.: **29/639,974**
- (22) Filed: **Mar. 9, 2018**
- (51) **LOC (12) Cl.** **07-01**
- (52) **U.S. Cl.**
USPC **D7/587**
- (58) **Field of Classification Search**
USPC D7/545, 543, 500, 360, 361, 587
CPC A47G 19/02; A47G 19/03; B65D 1/34;
B65D 1/38; B65D 81/3216
See application file for complete search history.

D656,792 S *	4/2012	Sink	D7/318
D657,628 S *	4/2012	Sink	D7/318
8,226,999 B2 *	7/2012	Roberts	B65D 81/3216 206/499
D699,077 S *	2/2014	Ehrenhaus	D7/587
D738,720 S *	9/2015	Yang	D9/428
D749,362 S *	2/2016	Holding	D7/505
D814,244 S *	4/2018	Hartley	D7/603
D832,053 S *	10/2018	Klimecki	D7/566
D832,054 S *	10/2018	Klimecki	D7/587
D834,890 S *	12/2018	Schommer	D7/500
D839,053 S *	1/2019	Huang	D7/602
D840,757 S *	2/2019	Peterson	D7/543
D841,402 S *	2/2019	Price	D7/584
D848,226 S *	5/2019	Joseph	D7/630
D861,436 S *	10/2019	Balle	D7/587

(56) **References Cited**

U.S. PATENT DOCUMENTS

D93,163 S *	8/1934	Hart	D7/566
2,023,470 A *	12/1935	Hart	B65D 1/34 220/574
D167,166 S *	7/1952	Rodier	D7/318
D472,102 S *	3/2003	Tyler	D7/543
D475,248 S *	6/2003	Cantor	D7/605
D521,319 S *	5/2006	Haataja	D7/543
D522,313 S *	6/2006	Oyler	D7/543
D526,850 S *	8/2006	Sellers	D7/545
D538,599 S *	3/2007	Miller	D7/586
D545,629 S *	7/2007	Mellen	D7/543
D565,357 S *	4/2008	Chan	D7/505
D589,753 S *	4/2009	Williams	D7/543
D589,754 S *	4/2009	Williams	D7/543
D592,458 S *	5/2009	Scherer	D7/566
D593,807 S *	6/2009	Kong	D7/586
D616,251 S *	5/2010	Heiberg	D7/566
D639,115 S *	6/2011	Stewart	D7/543

OTHER PUBLICATIONS

Photos of Bowl design from inventor publicly exhibited in 2015.

* cited by examiner

Primary Examiner — Cynthia R Underwood

(74) *Attorney, Agent, or Firm* — Fross Zelnick Lehrman
Zissu, P.C.; Charles T. J. Weigell, Esq.

(57) **CLAIM**

The ornamental design for a bowl, as shown and described.

DESCRIPTION

FIG. 1 is a perspective view of a bowl showing my new design;

FIG. 2 is a front view thereof;

FIG. 3 is a back view thereof;

FIG. 4 is a left side view thereof;

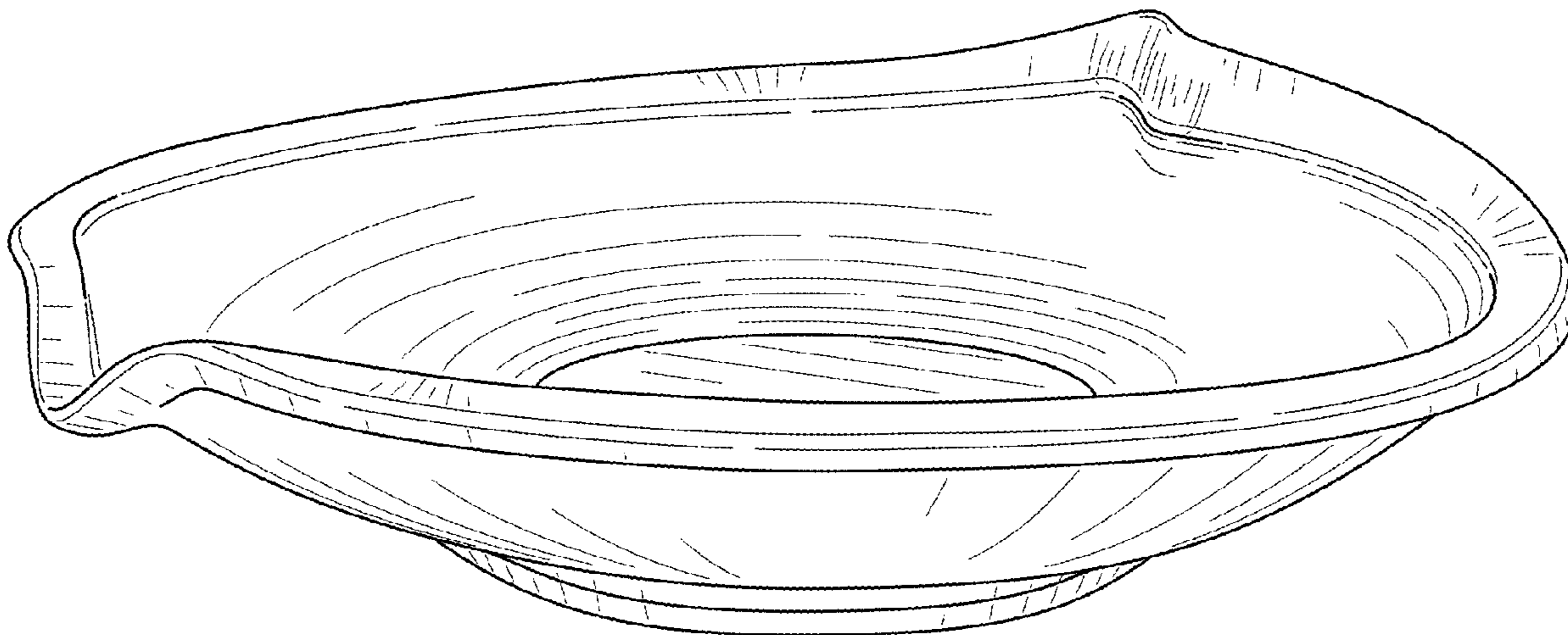
FIG. 5 is a right side view thereof;

FIG. 6 is a top view thereof; and,

FIG. 7 is a bottom view thereof.

The broken lines represent unclaimed portions of the bowl.

1 Claim, 4 Drawing Sheets



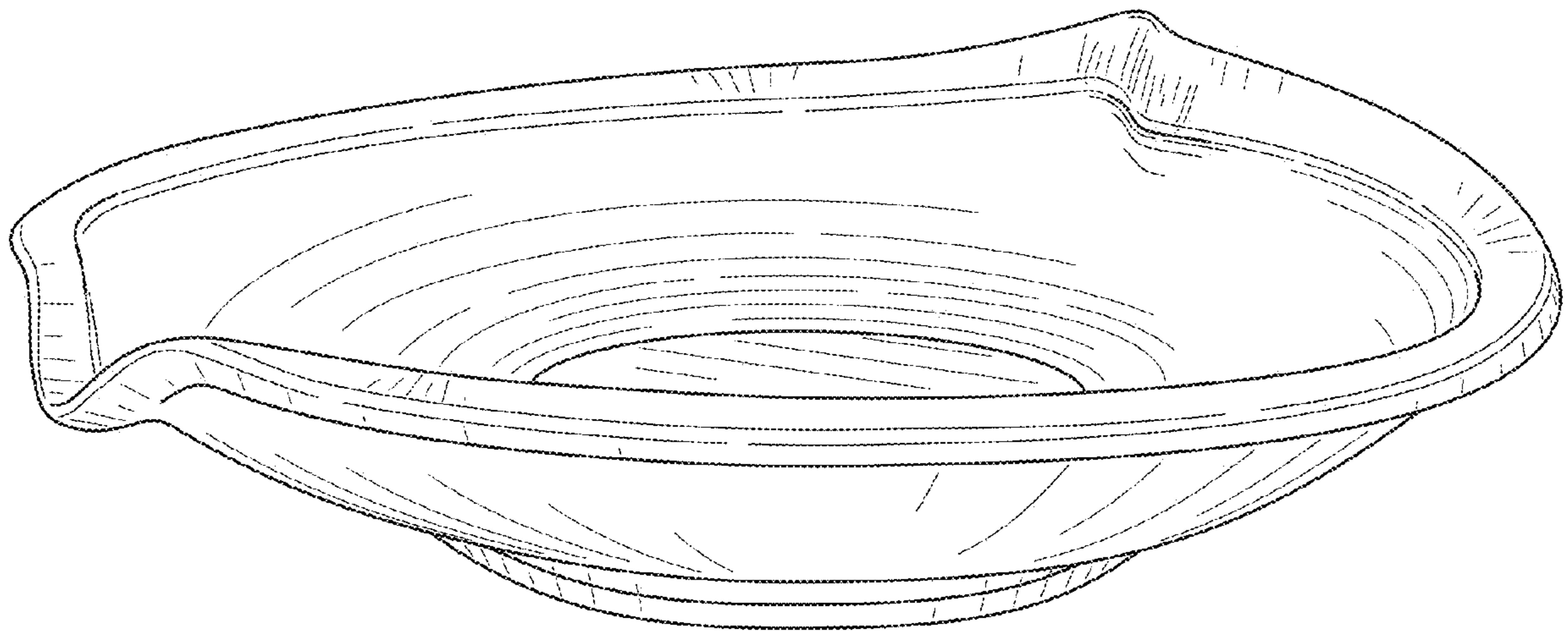


FIG. 1

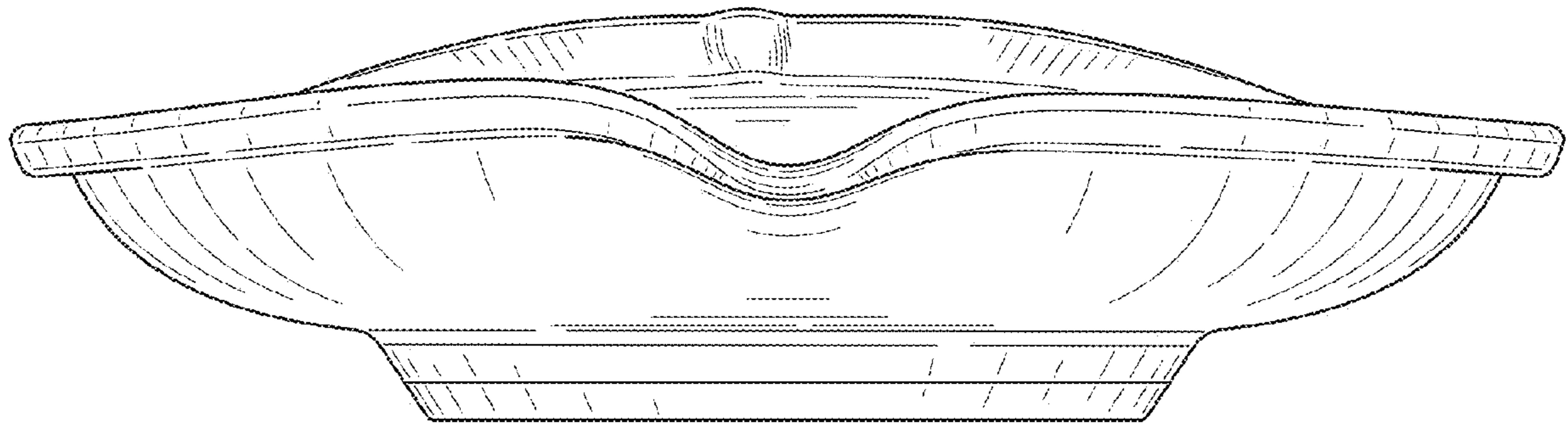


FIG. 2

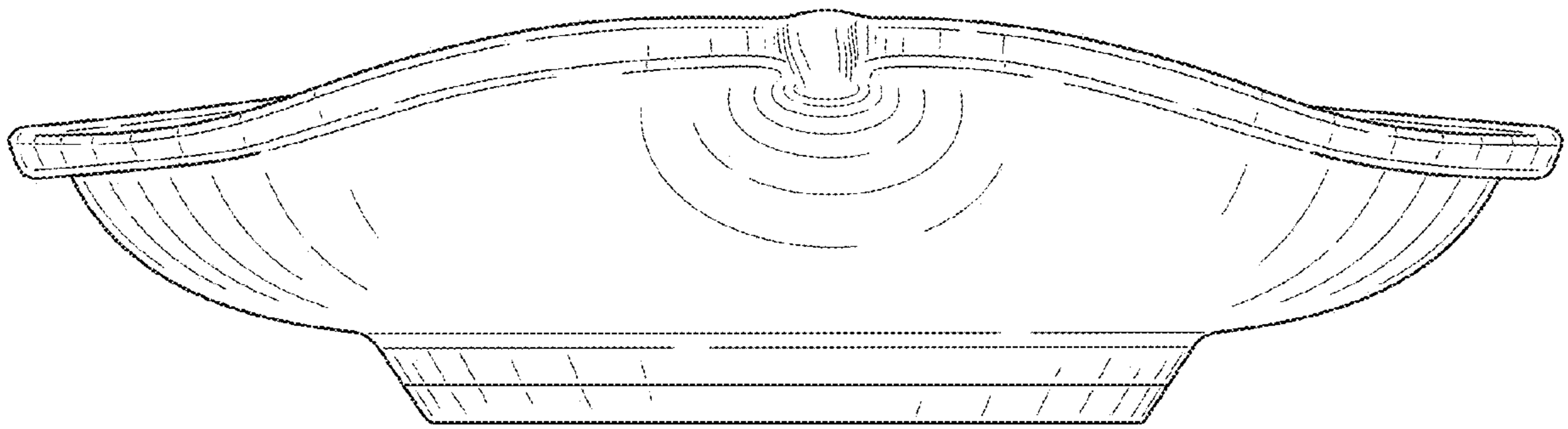


FIG. 3

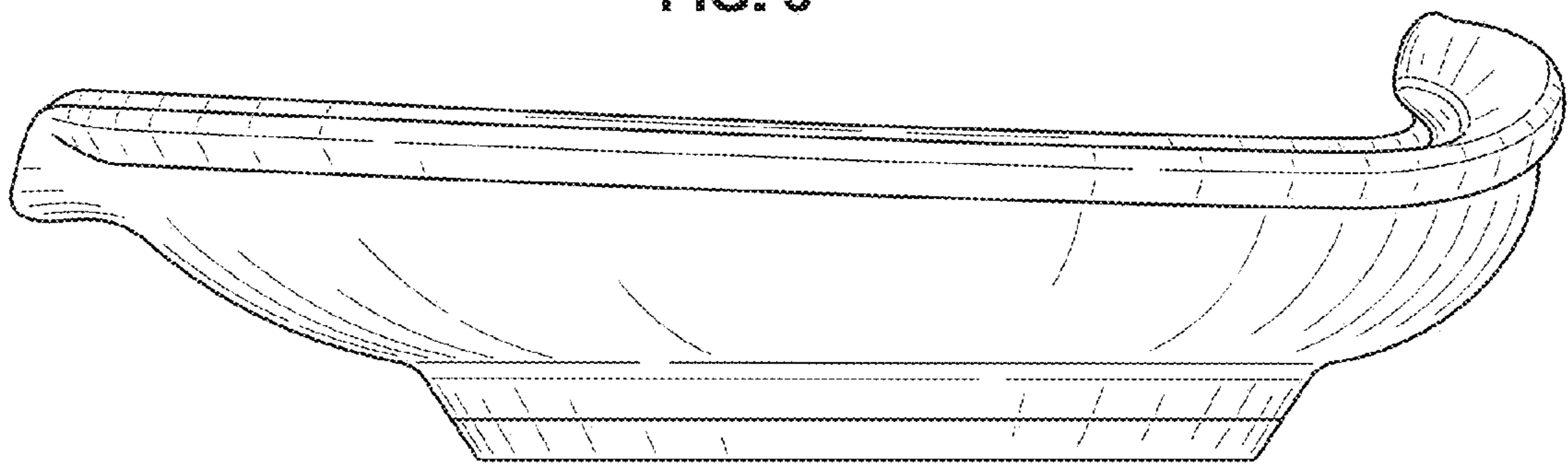


FIG. 4

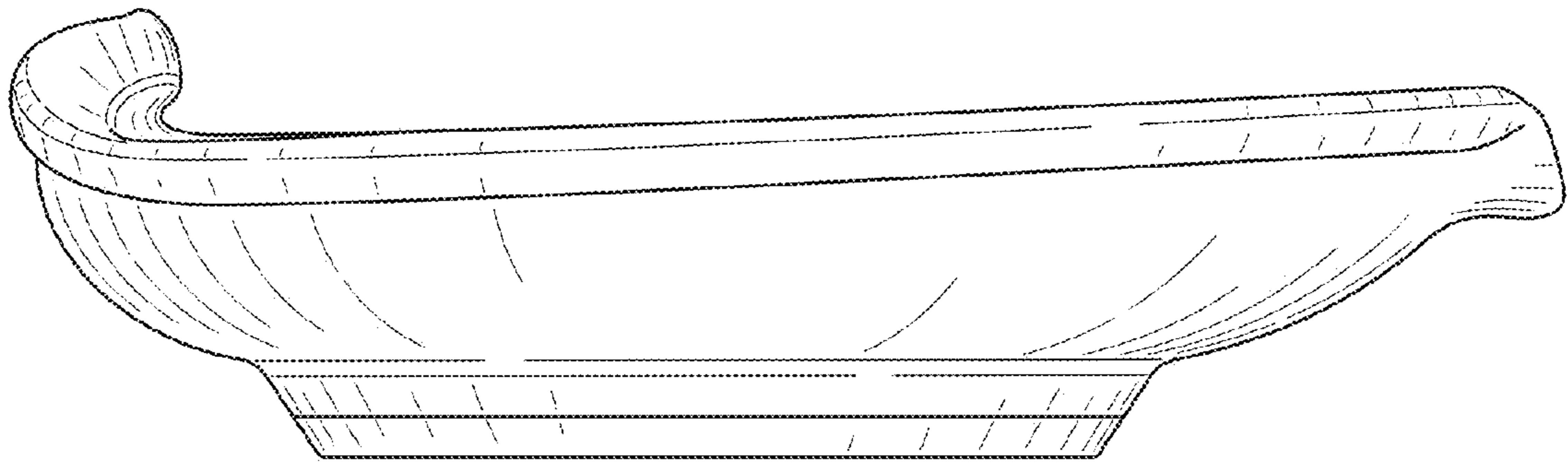


FIG. 5

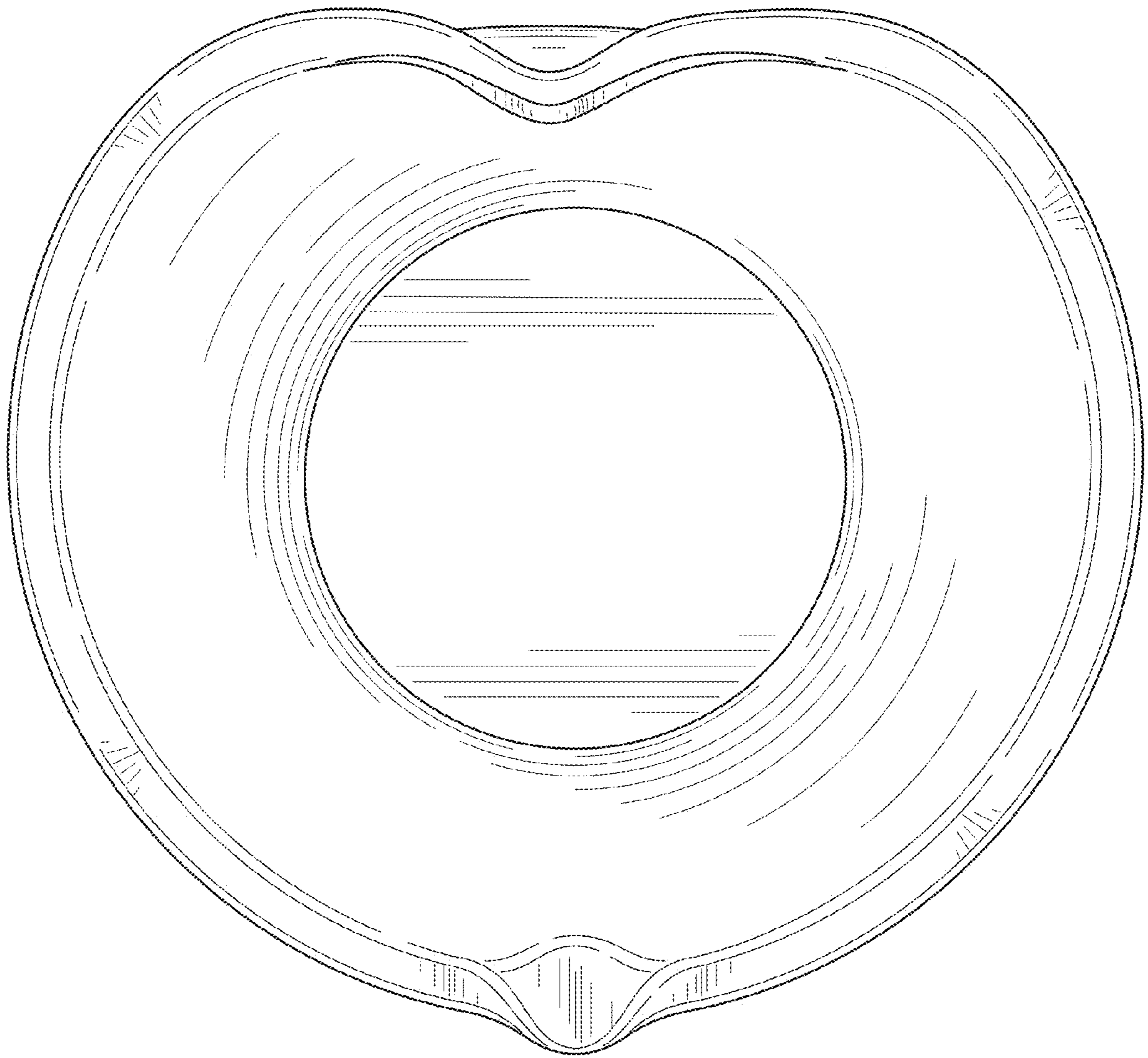


FIG. 6

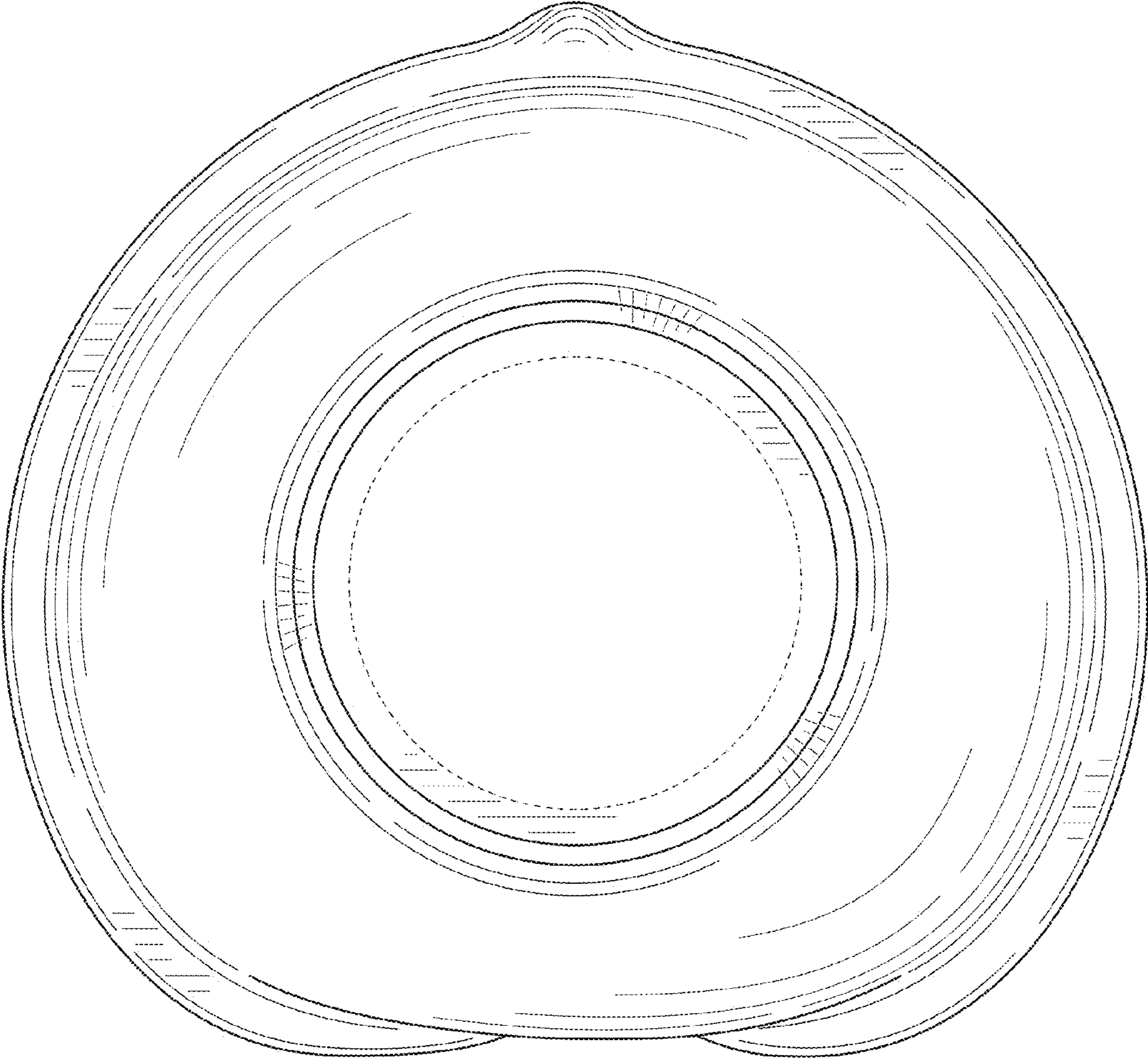


FIG. 7