

US00D873077S

(12) **United States Design Patent**  
**Pan**

(10) **Patent No.:** **US D873,077 S**

(45) **Date of Patent:** **\*\* Jan. 21, 2020**

- (54) **CUP**
- (71) Applicant: **Wei-Chih Pan**, Taoyuan (TW)
- (72) Inventor: **Wei-Chih Pan**, Taoyuan (TW)
- (\*\*) Term: **15 Years**
- (21) Appl. No.: **29/634,052**
- (22) Filed: **Jan. 18, 2018**
- (51) **LOC (12) Cl.** ..... **07-01**
- (52) **U.S. Cl.**  
USPC ..... **D7/523; D7/532; D9/425**
- (58) **Field of Classification Search**  
USPC ..... D7/507, 413, 509, 510, 511, 523, 529,  
D7/530, 531, 532, 536, 300.1, 591, 584,  
D7/586, 387, 361, 619.1, 602, 512, 400,  
D7/397, 399; D10/46.2; D9/425, 905,  
D9/503, 504, 738, 547, 424, 416;  
220/592.2  
CPC ..... A47G 19/22; A47G 19/2288;  
A47G 19/2211; A47G 19/2222; A47G  
19/2227; A47G 19/2205; A47G 19/2266;  
A47G 19/12; A47G 2019/2277; A47J  
41/02; A47J 43/27; A47J 41/0077; A47J  
41/0088; A47J 41/028; B65D 47/066;  
B65D 81/3869; A45F 3/20  
See application file for complete search history.

- 6,322,227 B1 \* 11/2001 Liu ..... A47G 19/2227  
362/101
- D695,110 S \* 12/2013 Houlton ..... D9/500
- D698,649 S \* 2/2014 Quint ..... D7/400
- D736,614 S \* 8/2015 Rapparini ..... D9/416
- D746,641 S \* 1/2016 Panone ..... D7/602
- D751,385 S \* 3/2016 Rapparini ..... D9/500
- D782,876 S \* 4/2017 Rebmann ..... D7/509
- D815,925 S \* 4/2018 Rapparini ..... D9/500
- D825,335 S \* 8/2018 Buck ..... D9/500
- D838,552 S \* 1/2019 Biber ..... D7/584
- 2011/0259205 A1 \* 10/2011 Delorme ..... B65D 65/466  
99/299
- 2018/0014674 A1 \* 1/2018 Pan ..... B65D 81/3869
- 2018/0255949 A1 \* 9/2018 Fritz ..... C03B 11/06

\* cited by examiner

*Primary Examiner* — Jae Liang  
(74) *Attorney, Agent, or Firm* — Muncy, Geissler, Olds & Lowe, P.C.

(57) **CLAIM**

The ornamental design for a cup, as shown and described.

**DESCRIPTION**

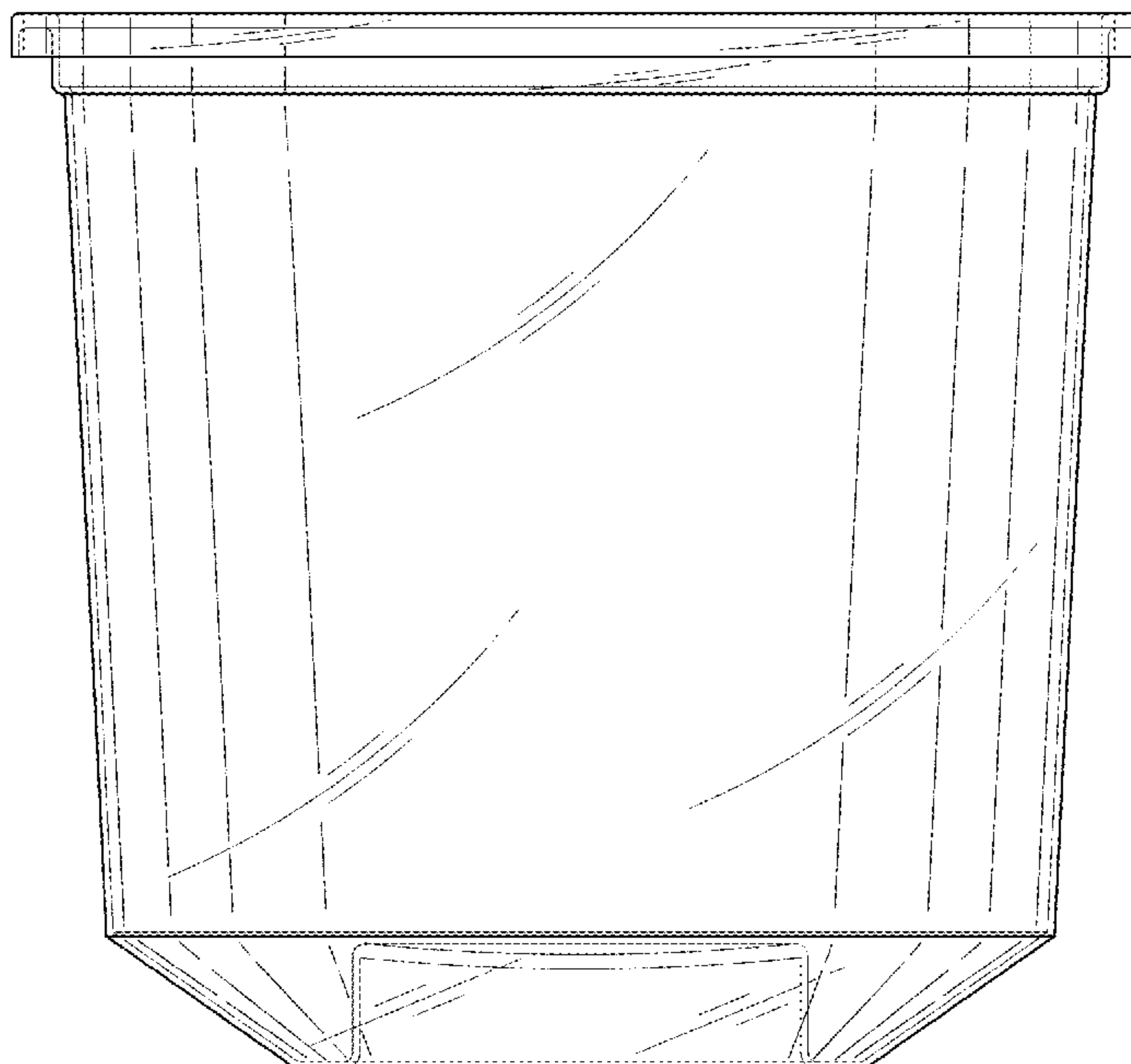
FIG. 1 is a top perspective view of a cup showing my new design;  
FIG. 2 is a front elevational view thereof; the rear, left side and right side elevational views being identical to the front elevational view;  
FIG. 3 is a top plan view thereof;  
FIG. 4 is a bottom plan view thereof;  
FIG. 5 is a cross section view showing a section taken along line 5-5 of FIG. 3; and,  
FIG. 6 is a bottom perspective view thereof.

**1 Claim, 6 Drawing Sheets**

(56) **References Cited**

**U.S. PATENT DOCUMENTS**

- 2,952,133 A \* 9/1960 Miller ..... A47G 19/2288  
62/1
- D248,358 S \* 7/1978 Thomas ..... D7/531
- 4,653,469 A \* 3/1987 Miyaji ..... A47J 27/002  
126/390.1
- D448,247 S \* 9/2001 Hong ..... D7/591



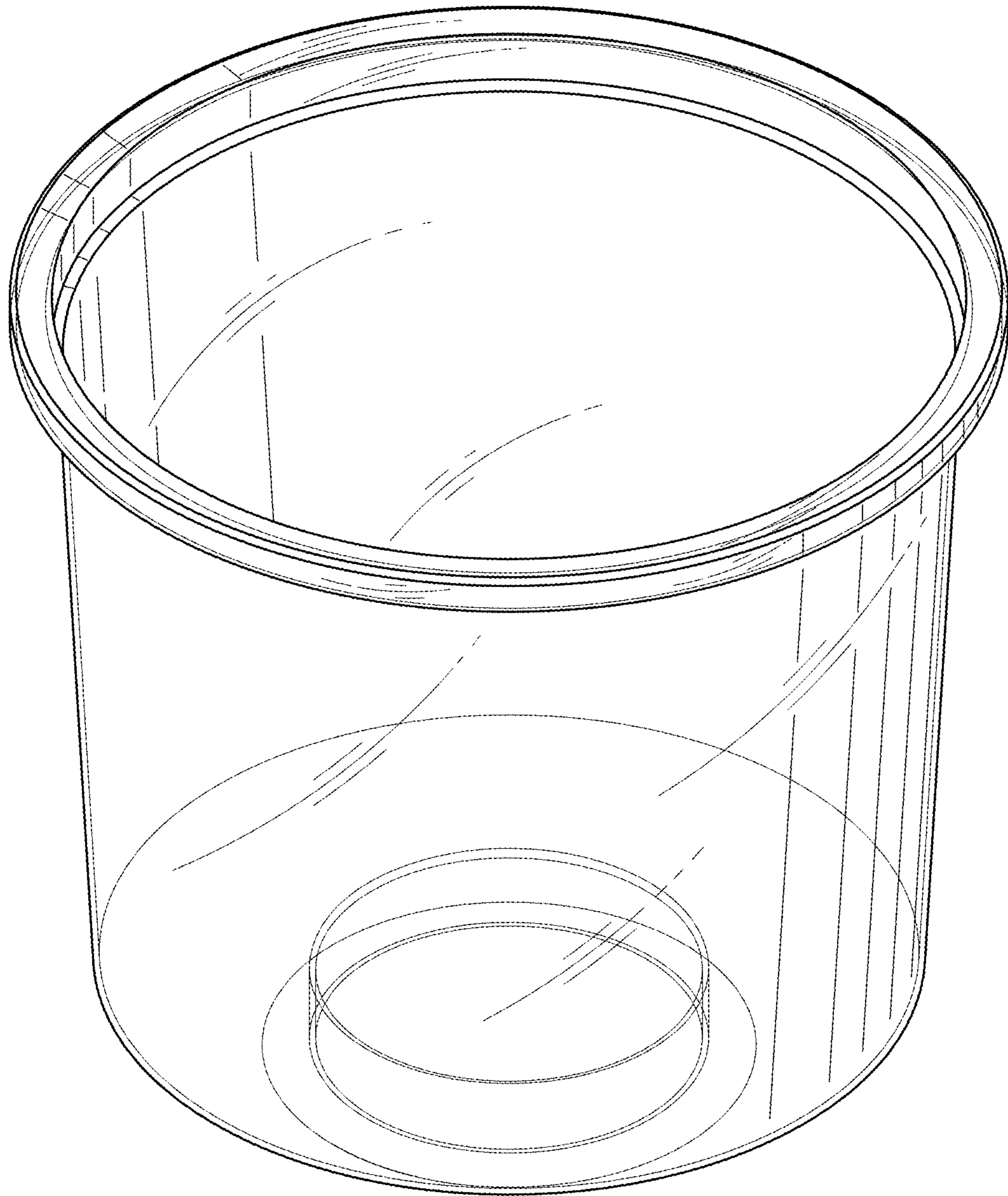


Fig.1

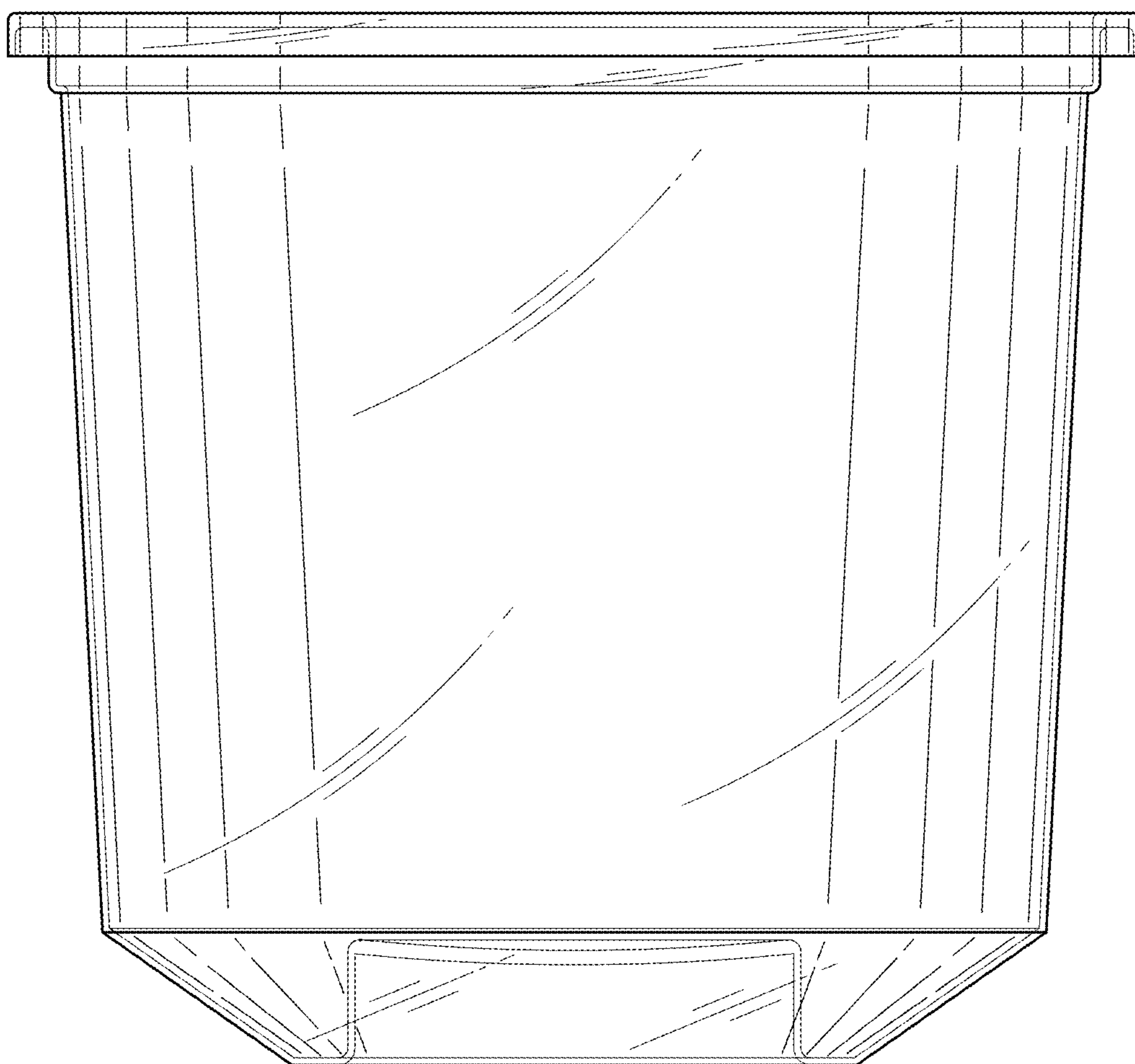


Fig.2

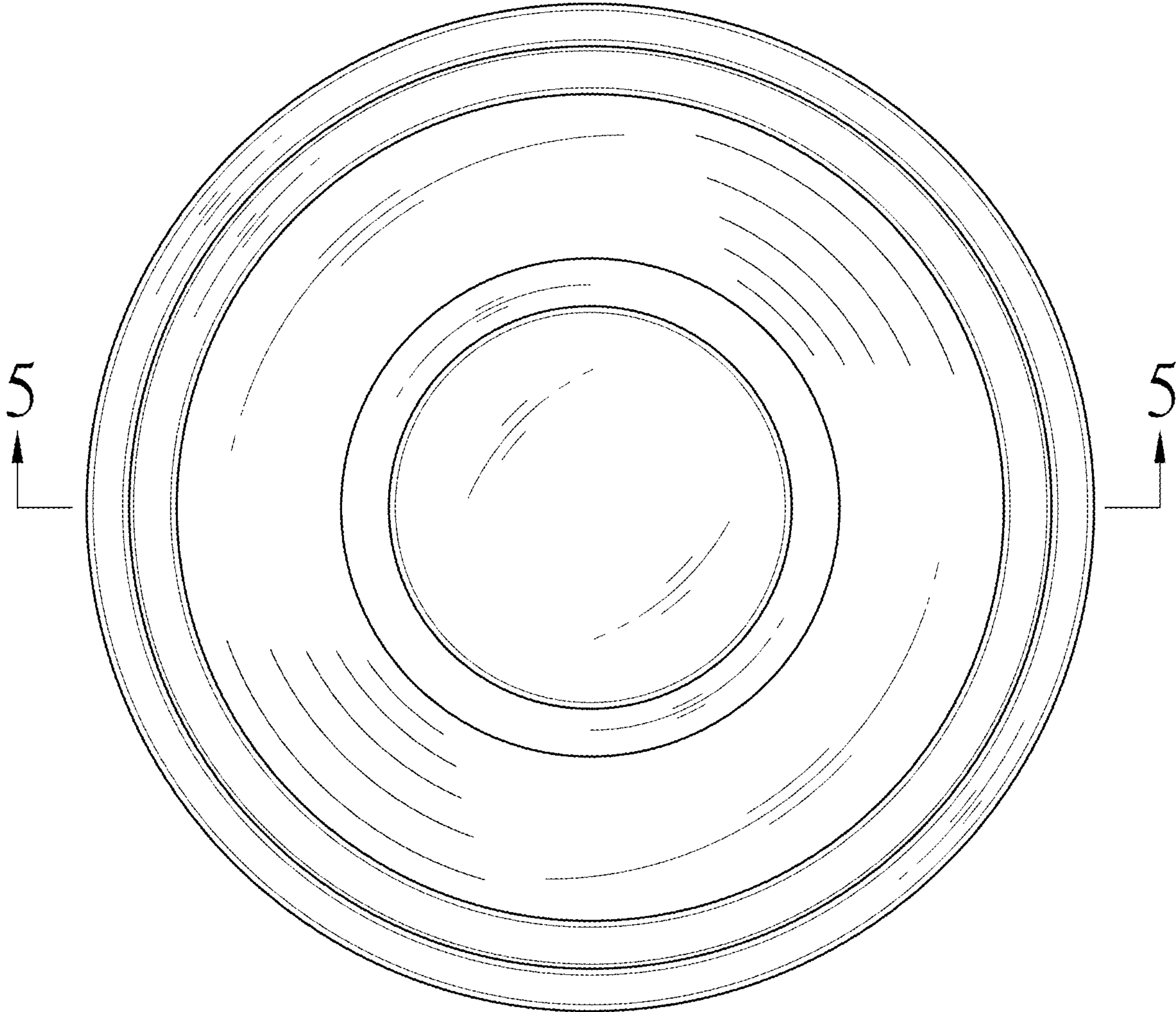


Fig.3



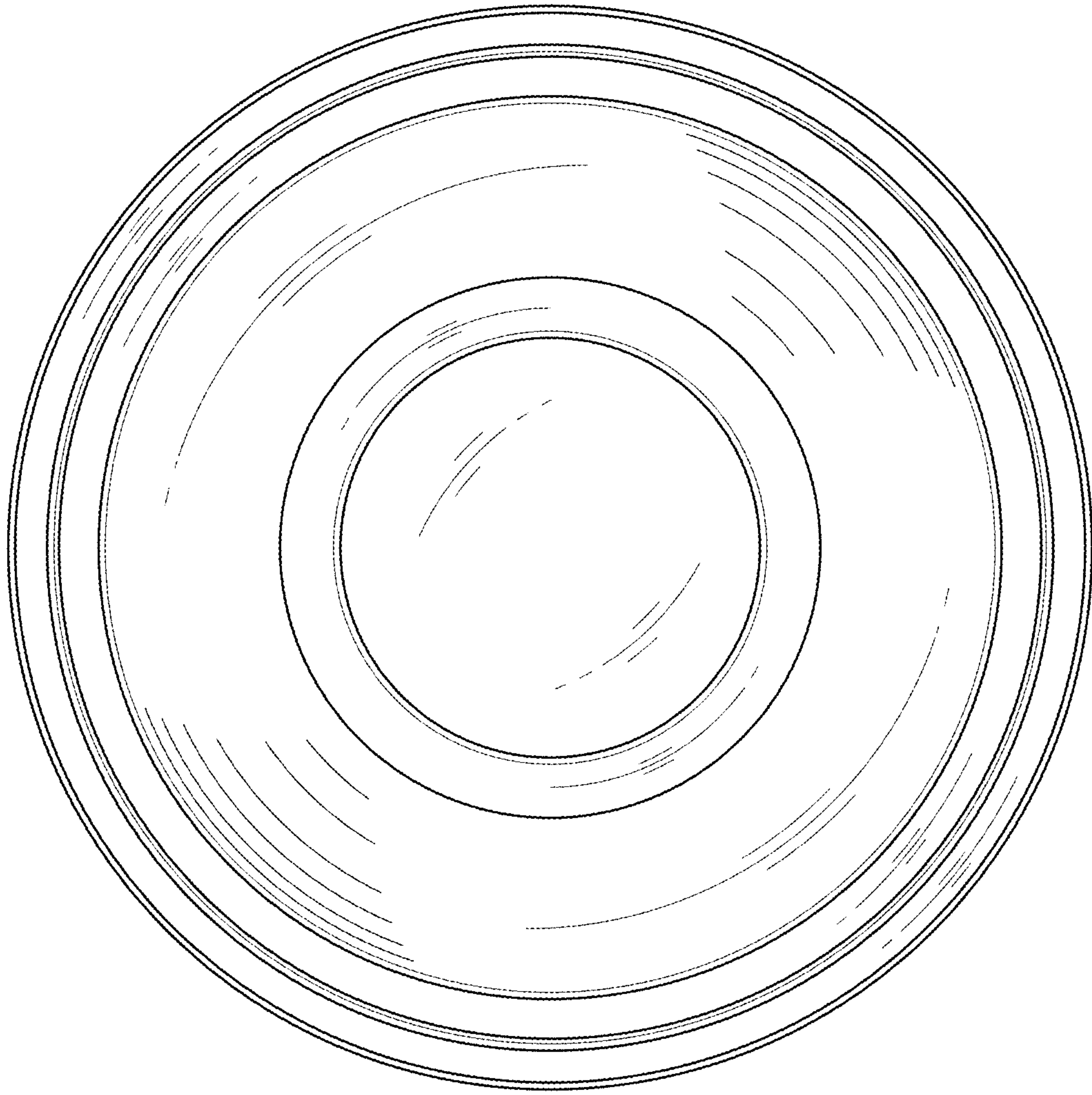


Fig.4

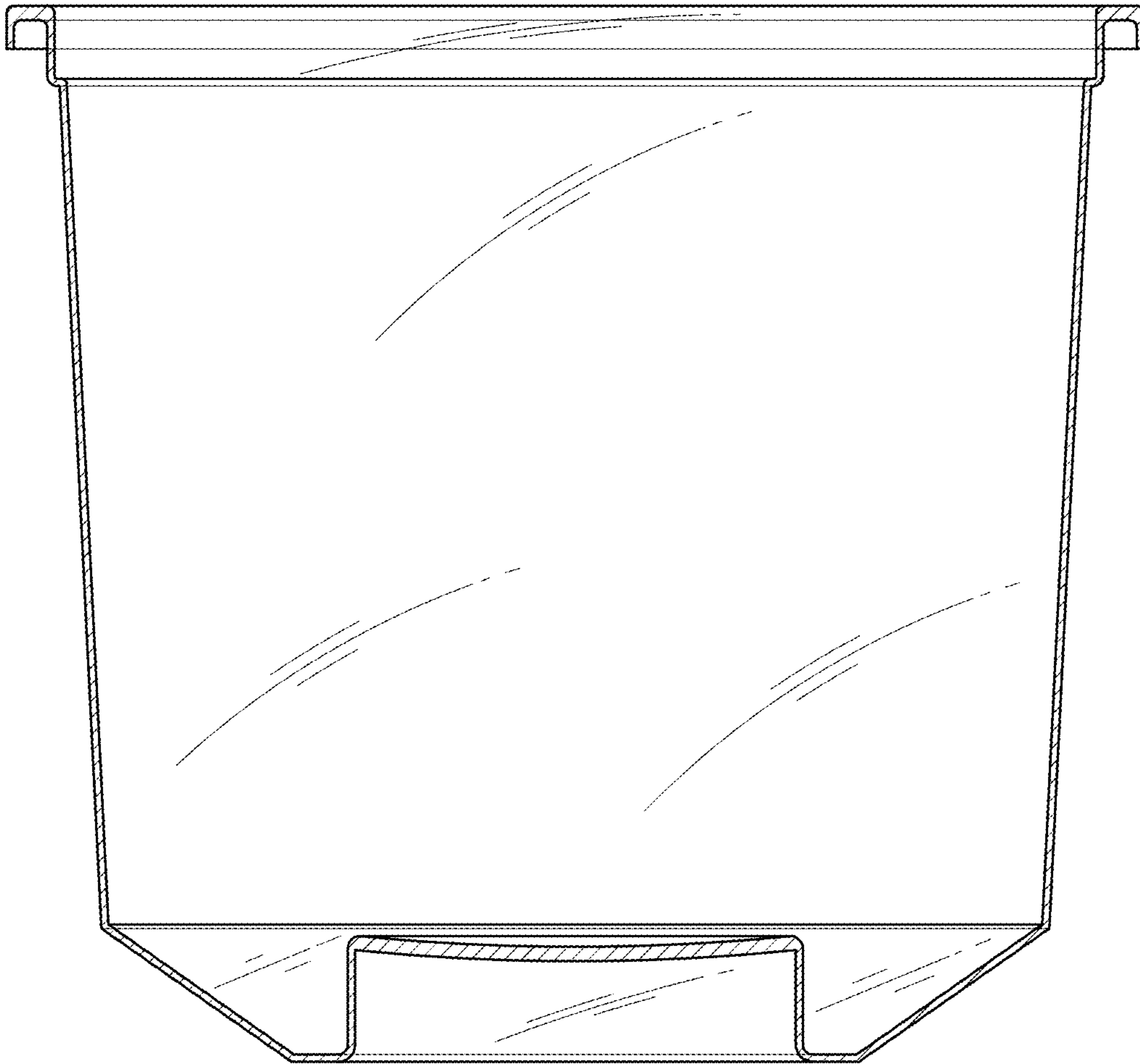


Fig.5

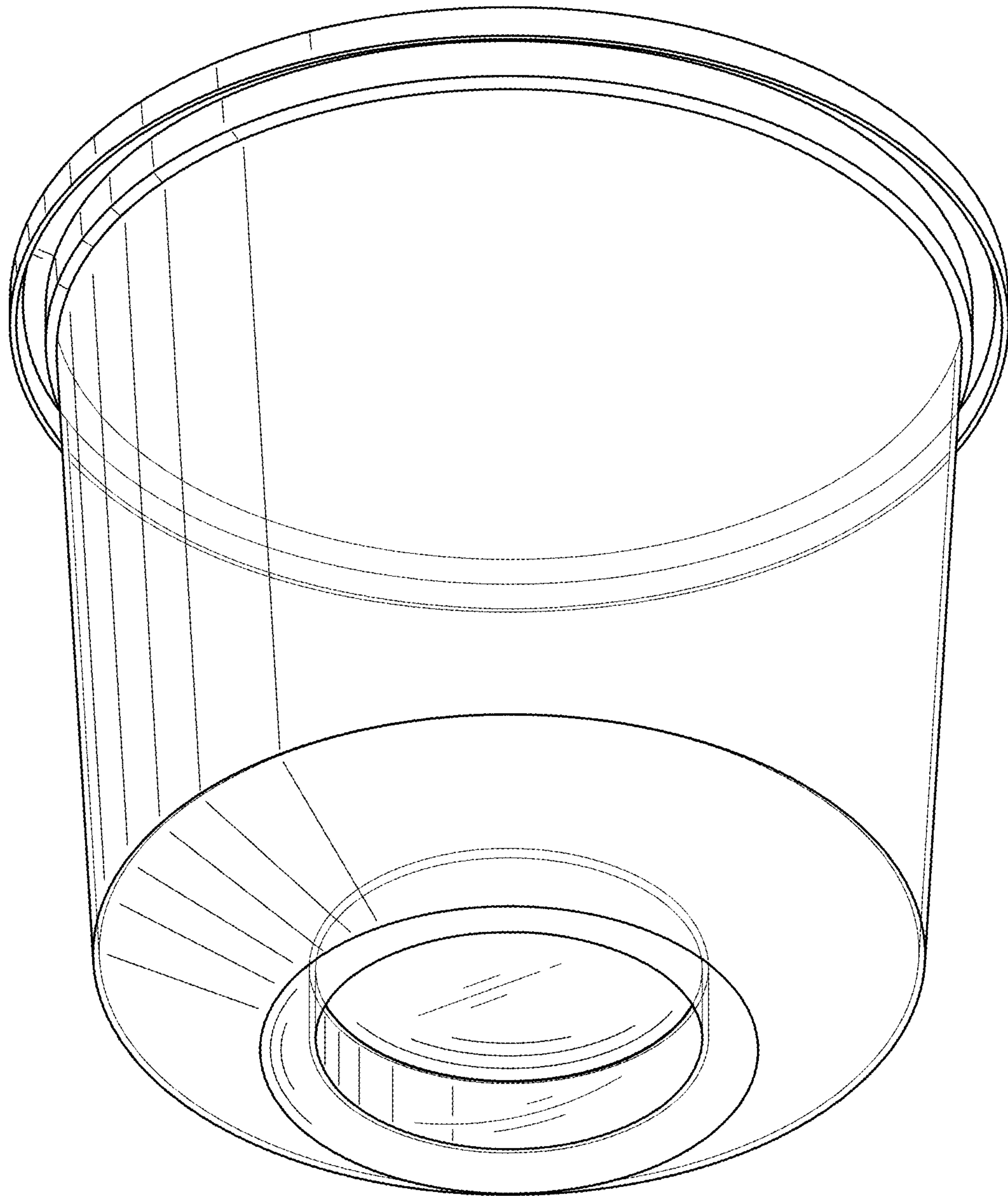


Fig.6