



US00D873075S

(12) **United States Design Patent**
Finell et al.

(10) **Patent No.:** **US D873,075 S**
(45) **Date of Patent:** **** Jan. 21, 2020**

(54) **REUSABLE SEALABLE CUP**

- (71) Applicant: **ZIP TOP, LLC**, Austin, TX (US)
- (72) Inventors: **Rebecca M. Finell**, Austin, TX (US);
Joshua J. Nelson, Mesa, AZ (US)
- (73) Assignee: **ZIP TOP, LLC**, Austin, TX (US)
- (**) Term: **15 Years**
- (21) Appl. No.: **29/699,611**
- (22) Filed: **Jul. 26, 2019**

Related U.S. Application Data

- (63) Continuation-in-part of application No. 29/618,106, filed on Sep. 19, 2017.
- (51) **LOC (12) Cl.** **07-01**
- (52) **U.S. Cl.**
USPC **D7/514; D7/515; D7/516; D7/619.2; D9/707**

(58) **Field of Classification Search**

USPC D7/505, 507, 509, 510, 511, 513, 514, D7/515, 516, 519, 523, 532, 529, 530, D7/531, 533, 300.1, 601, 602, 576, 582, D7/700, 566, 551.1, 555, 554.1, 552.2, D7/551.2, 506, 396.2, 624.1, 624.2, D7/392.1, 400, 401, 619.2; D9/435, 436, D9/503, 504, 555, 566, 568, 562, 608, D9/611, 601, 534, 702, 703, 705, 707, D9/709, 710; D30/130, 129; D3/202
(Continued)

(56) **References Cited**

U.S. PATENT DOCUMENTS

- 1,002,346 A 9/1911 Weeks 229/400
 - D77,091 S 11/1916 Nouri et al. D09/709
- (Continued)

FOREIGN PATENT DOCUMENTS

- JP D140735 S 11/2010
- JP D1454613 S 11/2012
- WO 2016/140746 A1 9/1916 G01F 19/00

OTHER PUBLICATIONS

Partial European Search Report, Application No. 18159842.6, 9 pages, dated Jun. 29, 2018.

(Continued)

Primary Examiner — Jae Liang

(74) *Attorney, Agent, or Firm* — Slayden Grubert Beard PLLC

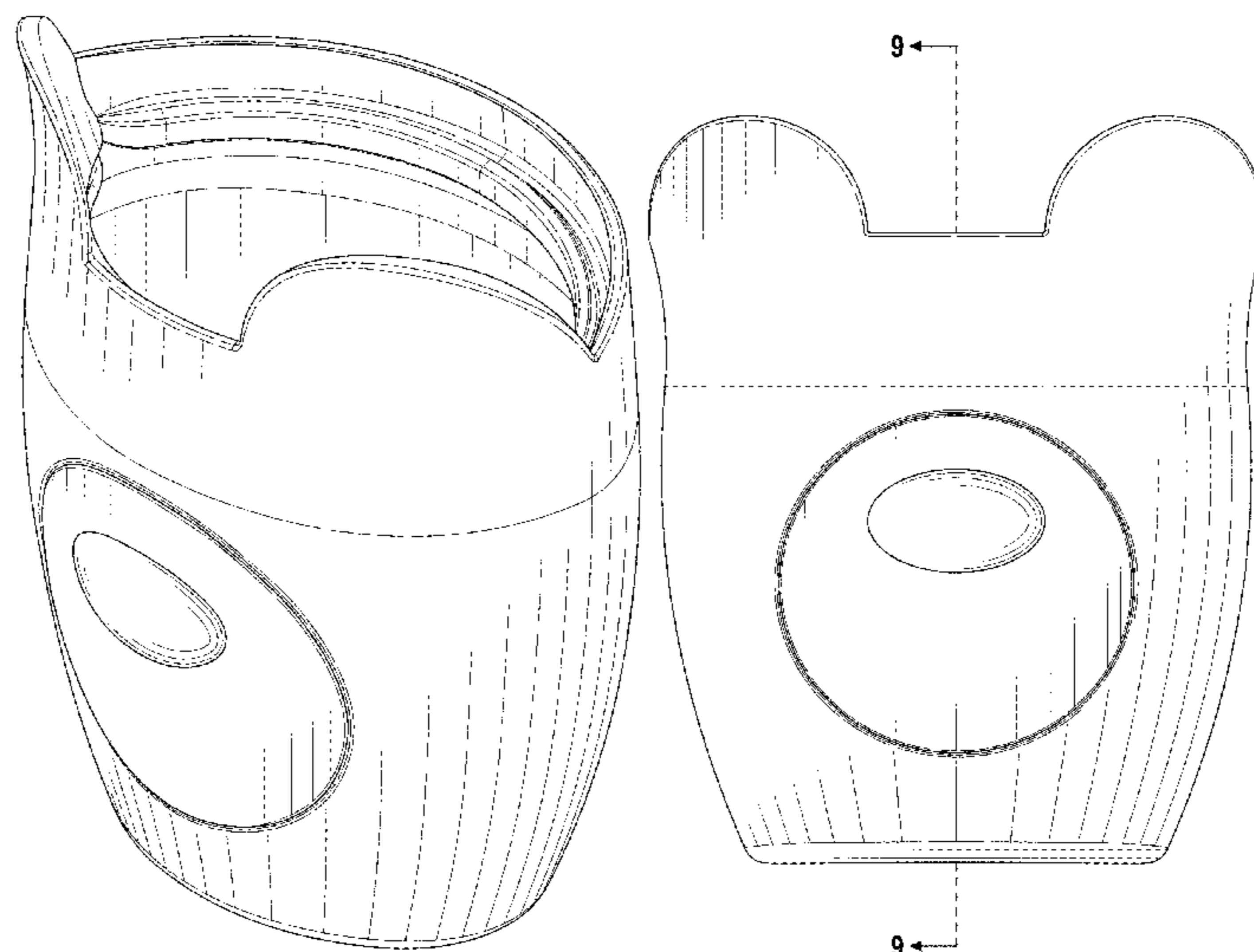
(57) **CLAIM**

The ornamental design for a reusable sealable cup, as shown and described.

DESCRIPTION

FIG. 1 shows a perspective top front view of a reusable sealable cup in an open and unsealed position;
 FIG. 2 shows a perspective bottom/front view of the reusable sealable cup shown in FIG. 1.
 FIG. 3 shows a front view of the reusable sealable cup shown in FIGS. 1-2.
 FIG. 4 shows a back view of the reusable sealable cup shown in FIGS. 1-3.
 FIG. 5 shows a left side view of the reusable sealable cup shown in FIGS. 1-4.
 FIG. 6 shows a right side view of the reusable sealable cup shown in FIGS. 1-5;
 FIG. 7 shows a top view of the reusable sealable cup shown in FIGS. 1-6.
 FIG. 8 shows a bottom view of the reusable sealable cup shown in FIGS. 1-7; and,
 FIG. 9 shows a cross-sectional right side view taken along plane 9-9 of FIG. 3 of the reusable sealable cup shown in FIGS. 1-8.

1 Claim, 8 Drawing Sheets



(58) **Field of Classification Search**

CPC A47G 19/22; A47G 19/2205; A47G 19/2211; A47G 19/2216; A47G 19/2222; A47G 19/2266; B65D 47/066; B65D 3/06; A47J 41/0088; A45F 3/16
See application file for complete search history.

(56) **References Cited**

U.S. PATENT DOCUMENTS

D772,493 S 11/1916 Wu D30/129
D782,450 S 3/1917 Jones D14/240
D791,609 S 7/1917 Rotman D9/611
2,012,113 A 8/1935 Thompson 215/363
2,117,738 A 5/1938 Otto 220/266
2,165,277 A 7/1939 Herman 229/405
2,589,967 A 3/1952 Sawyer 215/372
2,861,716 A 11/1958 Kramer 215/228
3,354,601 A 11/1967 Schneider 493/196
3,844,525 A 10/1974 Parmett 249/127
D285,515 S 9/1986 Papciak D24/119
4,655,862 A 4/1987 Christoff et al. 156/66
D291,659 S 9/1987 Powell D7/507
D374,204 S 10/1996 Weder D11/143
5,689,866 A 11/1997 Kasai 24/400
D401,141 S * 11/1998 Carroll D9/608
D407,970 S 4/1999 Planchard D9/703
D418,368 S 1/2000 Solland D7/510
D418,747 S 1/2000 Sagel D9/707
D419,867 S 2/2000 Hager et al. D09/608
6,050,432 A 4/2000 Koehnke 215/11.3
D423,877 S * 5/2000 Kerr D7/503
6,164,488 A 12/2000 Solland 220/717
6,176,420 B1 1/2001 Sarson 229/128
6,197,359 B1 3/2001 Hompanera 426/523
D456,211 S 4/2002 Price D7/509
D457,318 S 5/2002 Borland et al. D03/303
D470,361 S * 2/2003 Trombly D7/509
D470,755 S 2/2003 Espinel D9/707
D495,209 S 8/2004 Tranfaglia D7/509
D502,364 S * 3/2005 Chan D7/509
7,029,178 B2 4/2006 Gzybowski 383/64
D522,183 S 5/2006 Wylie D30/118
7,160,029 B2 1/2007 Bein et al. 383/67
D553,442 S 10/2007 Bodum D7/509
D554,432 S * 11/2007 Roth D7/510
D582,790 S 12/2008 Friebe D9/707
D586,232 S 2/2009 Friebe D9/707
7,524,111 B1 4/2009 Williams 220/23.87
D600,072 S 9/2009 Hayes D7/509
D605,895 S 12/2009 Abbott D7/509
D609,581 S 2/2010 Doyal D09/703
D616,760 S * 6/2010 Deuerer D9/611
D618,302 S 6/2010 Williams D23/209
D622,109 S 8/2010 Hull et al. D7/630
D657,950 S 4/2012 Herman D3/202
D660,446 S 5/2012 Baltazar D24/208
8,220,651 B2 7/2012 Norcom 220/1.6
D683,190 S * 5/2013 Shields D30/129
D683,592 S * 6/2013 Shields D30/129
D684,867 S 6/2013 English D9/707
D684,868 S 6/2013 Kessler D9/707
D686,508 S 7/2013 Kling D9/703
D689,370 S 9/2013 Bower D9/707
8,523,440 B2 9/2013 Walker et al. 383/202
D690,995 S * 10/2013 Franco D7/515
D705,654 S 5/2014 Wurth et al. D09/451
8,864,015 B2 10/2014 Lu 229/128
D722,805 S 2/2015 Banos D07/301
D736,099 S * 8/2015 Deuerer D9/607
D739,727 S 9/2015 Olson D9/436
D750,334 S 2/2016 Comstock D32/30
9,371,153 B1 6/2016 Nouri et al.
D772,723 S 11/2016 Murray D9/707
9,737,161 B1 8/2017 Li A47G 19/22
9,751,655 B2 9/2017 Herman B65D 5/02
D804,959 S 12/2017 Anda D9/705

D809,875 S * 2/2018 Delgado Carmona D7/628
D809,876 S * 2/2018 Delgado Carmona D7/628
D811,796 S 3/2018 Joseph D7/325
D812,487 S * 3/2018 Soegyanto D9/702
D815,365 S * 4/2018 Scariot D30/118
D815,544 S * 4/2018 Soegyanto D9/702
D817,109 S 5/2018 Kilicarlan D7/611
D831,432 S * 10/2018 Lv D7/606
D851,853 S * 6/2019 Khan D99/5
D856,086 S * 8/2019 Goulet Dubois D7/519
D858,200 S * 9/2019 Wang D7/516
D860,001 S * 9/2019 Sahatjian D9/707
2005/0194386 A1 9/2005 Shai 220/287
2006/0191929 A1 8/2006 Berg, Jr. et al. 220/6
2006/0191985 A1 8/2006 Norcom 229/117.05
2006/0193541 A1 8/2006 Norcom 383/200
2008/0050053 A1 2/2008 Szczesuil 383/66
2008/0087268 A1 4/2008 Burton 126/9 R
2009/0110335 A1 4/2009 Leboeuf 383/63
2009/0279810 A1 11/2009 Nobles 383/66
2010/0012531 A1 1/2010 Steele 206/216
2010/0072224 A1 3/2010 Ha 222/107
2010/0314434 A1 12/2010 Herman 229/107
2011/0017812 A1 1/2011 Belko et al. 229/117.27
2011/0017814 A1 1/2011 Belko et al. 229/124
2011/0132910 A1 6/2011 Willat 220/495.03
2011/0203944 A1 8/2011 Singer 206/204
2011/0297680 A1 12/2011 Howell et al. 220/266
2012/0060449 A1 3/2012 Howell et al. 53/456
2012/0187182 A1 7/2012 Howell et al. 229/102
2012/0269469 A1 10/2012 Long et al. 383/210.1
2013/0084028 A1 4/2013 Cross 383/33
2013/0105352 A1 5/2013 Munguia 206/524.6
2014/0042217 A1 2/2014 Houck 229/404
2014/0212075 A1 7/2014 Cross 383/64
2014/0226921 A1 8/2014 Albers 383/86.2
2014/0245698 A1 9/2014 Steele 53/410
2014/0270579 A1 9/2014 Noun 383/25
2015/0203250 A1 7/2015 Denis 383/63
2018/0251267 A1 9/2018 Finell B65D 33/2508
2019/0270546 A1 * 9/2019 Finell B65D 33/2541

OTHER PUBLICATIONS

Extended European Search Report and Written Opinion, Application No. 18159842.6, 9 pages, dated Oct. 19, 2018.
Chinese Office Action, Application No. 201830099279.2, 1 page, dated Jul. 9, 2018.
Taiwan Office Action, Taiwan Design Application No. 107301543, 4 pages, dated Dec. 18, 2018.
Chinese Office Action, Application No. 201830098713.5, 1 page, dated Jul. 5, 2018.
Chinese Office Action, Application No. 201830098714.X, 1 pages, dated Jul. 11, 2018.
Taiwan Office Action, Application No. 107301545, 6 pages, dated Sep. 12, 2018.
Taiwan Office Action, Application No. 107301546, 5 pages, dated Sep. 12, 2018.
Chinese Office Action, Application No. 201830099010.4, 1 page, dated Jul. 12, 2018.
U.S. Non-Final Office Action, U.S. Appl. No. 15/910,757, 18 pages, dated Jun. 14, 2019.
U.S. Final Office Action, U.S. Appl. No. 15/910,757, 22 pages, dated Sep. 18, 2019.
U.S. Non-Final Office Action, U.S. Appl. No. 16/154,134, 39 pages, dated Oct. 1, 2019.
U.S. Non-Final Office Action, U.S. Appl. No. 29/699,634, 14 pages, dated Oct. 21, 2019.
U.S. Non-Final Office Action, U.S. Appl. No. 29/699,650, 14 pages, dated Oct. 21, 2019.
U.S. Non-Final Office Action, U.S. Appl. No. 29/699,656, 14 pages, dated Oct. 21, 2019.

(56)

References Cited

OTHER PUBLICATIONS

U.S. Advisory Action, U.S. Appl. No. 15/910,757, 3 pages, dated Oct. 28, 2019.

* cited by examiner

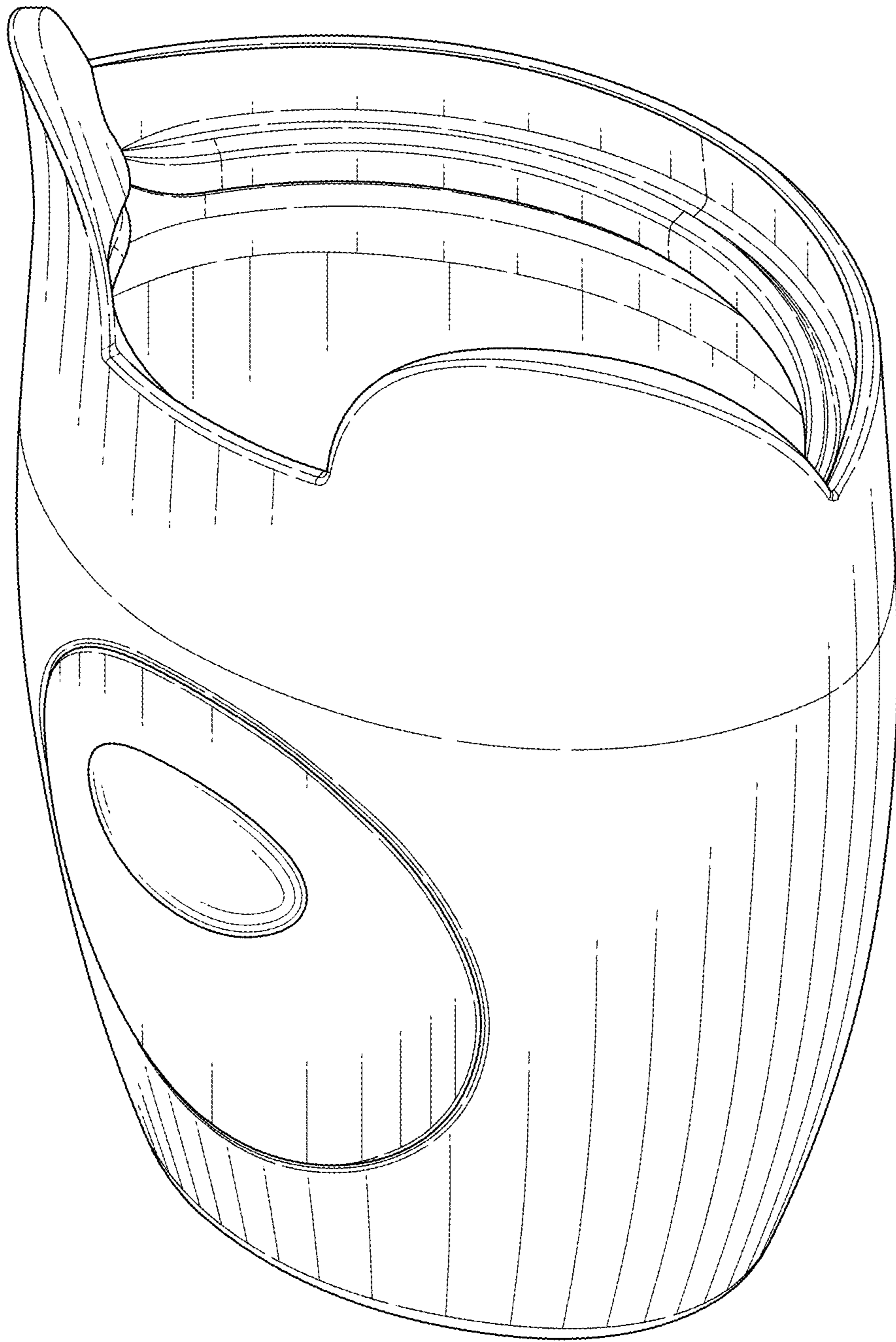


FIG. 1

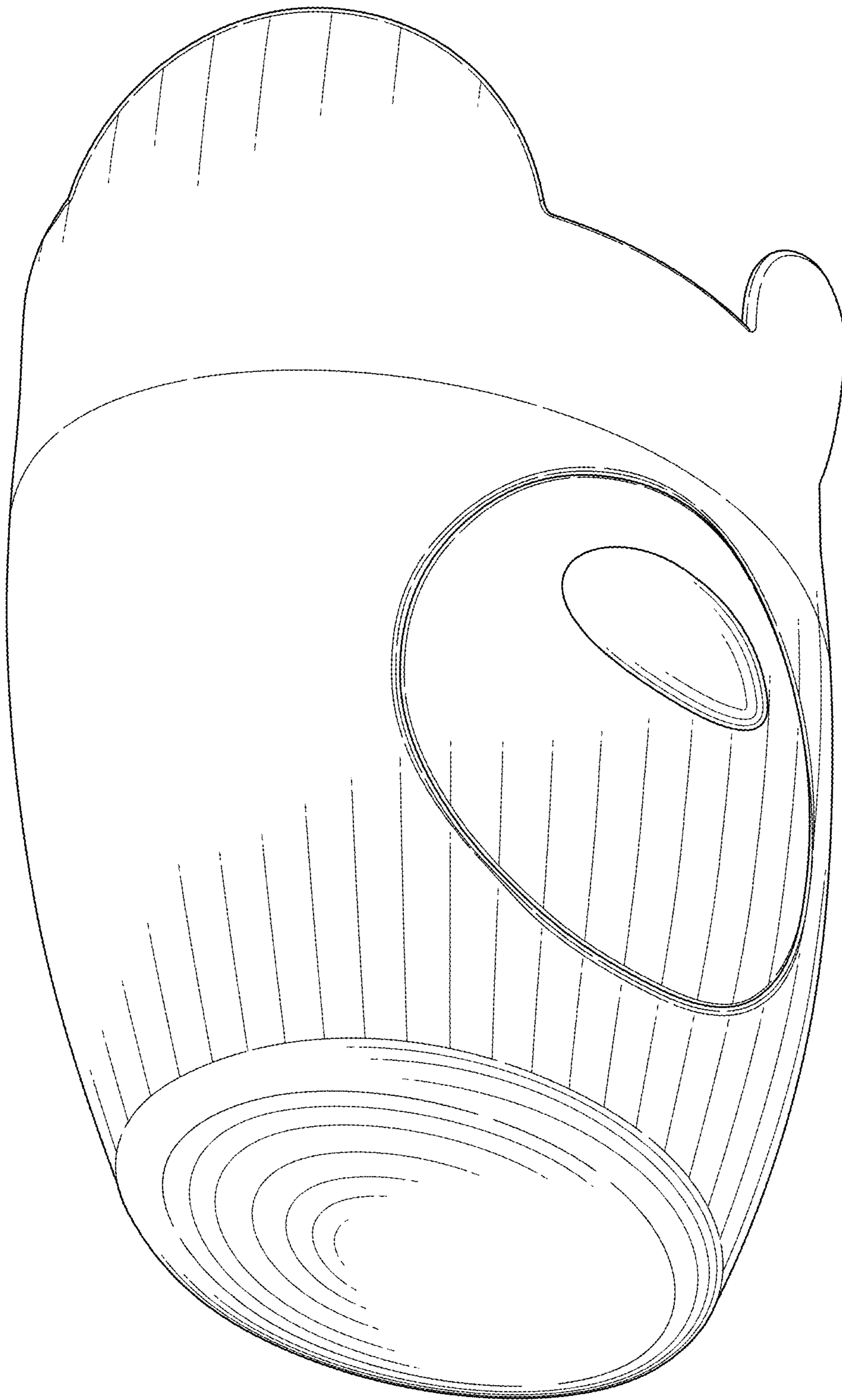


FIG. 2

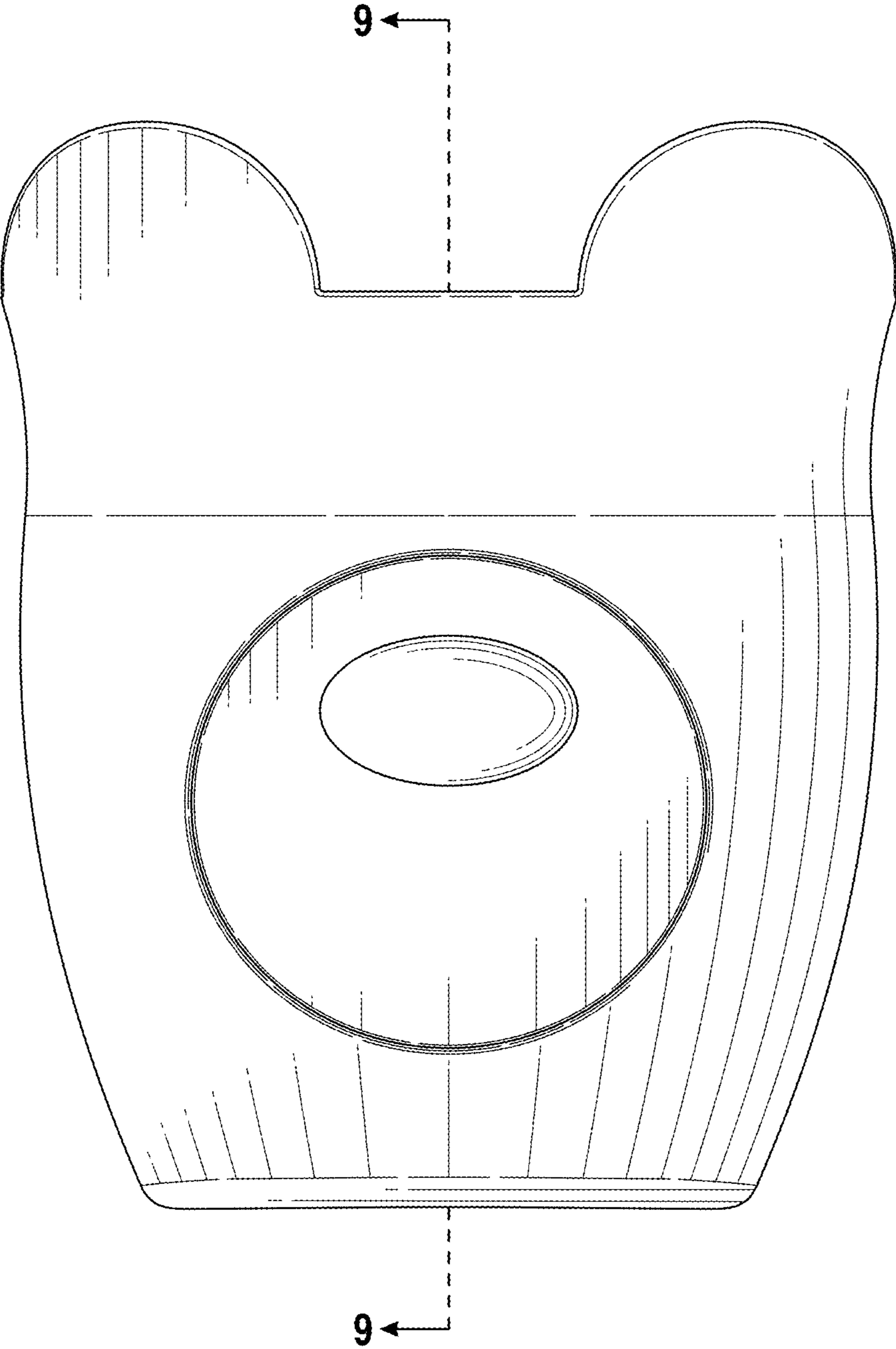


FIG. 3

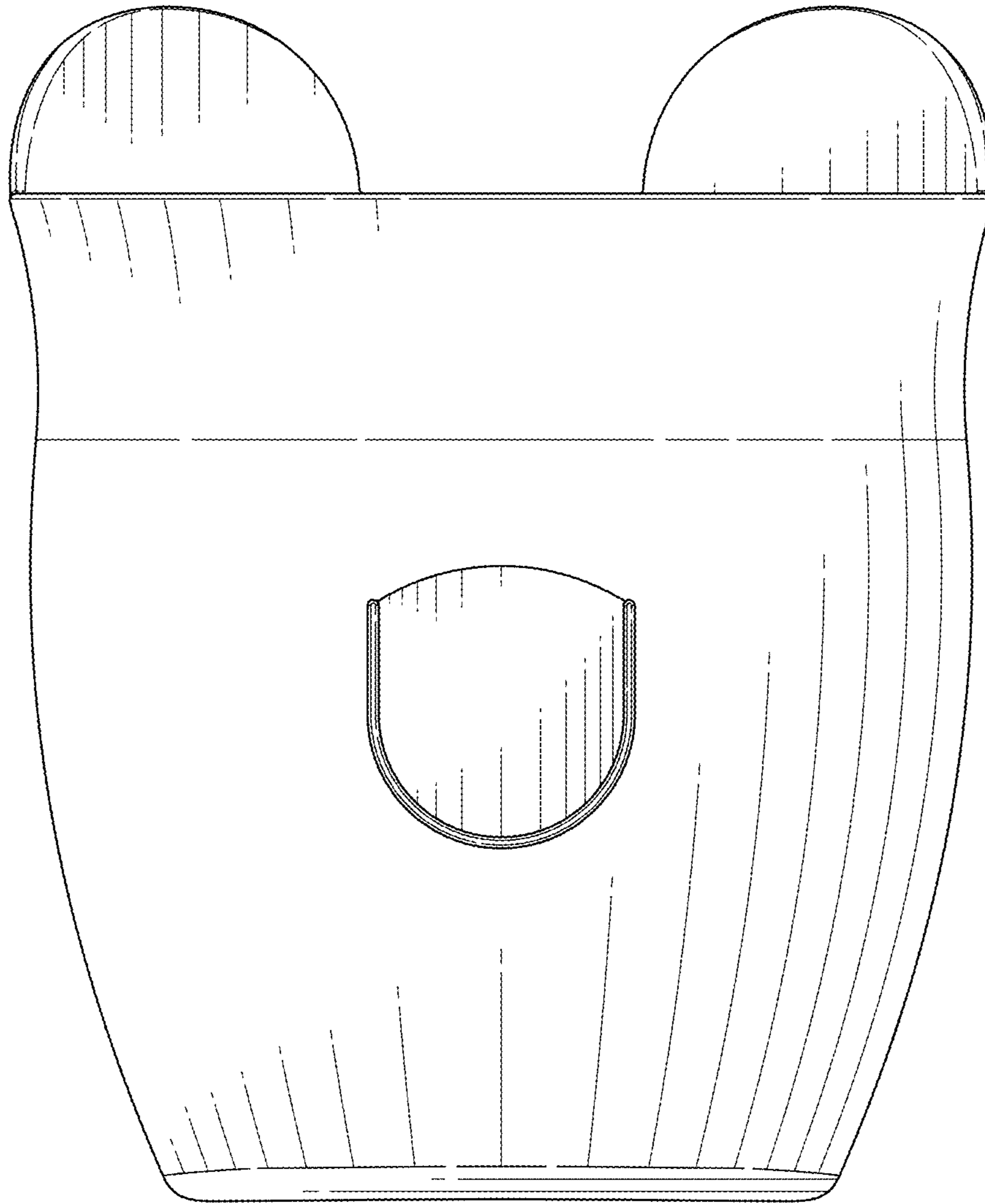


FIG. 4

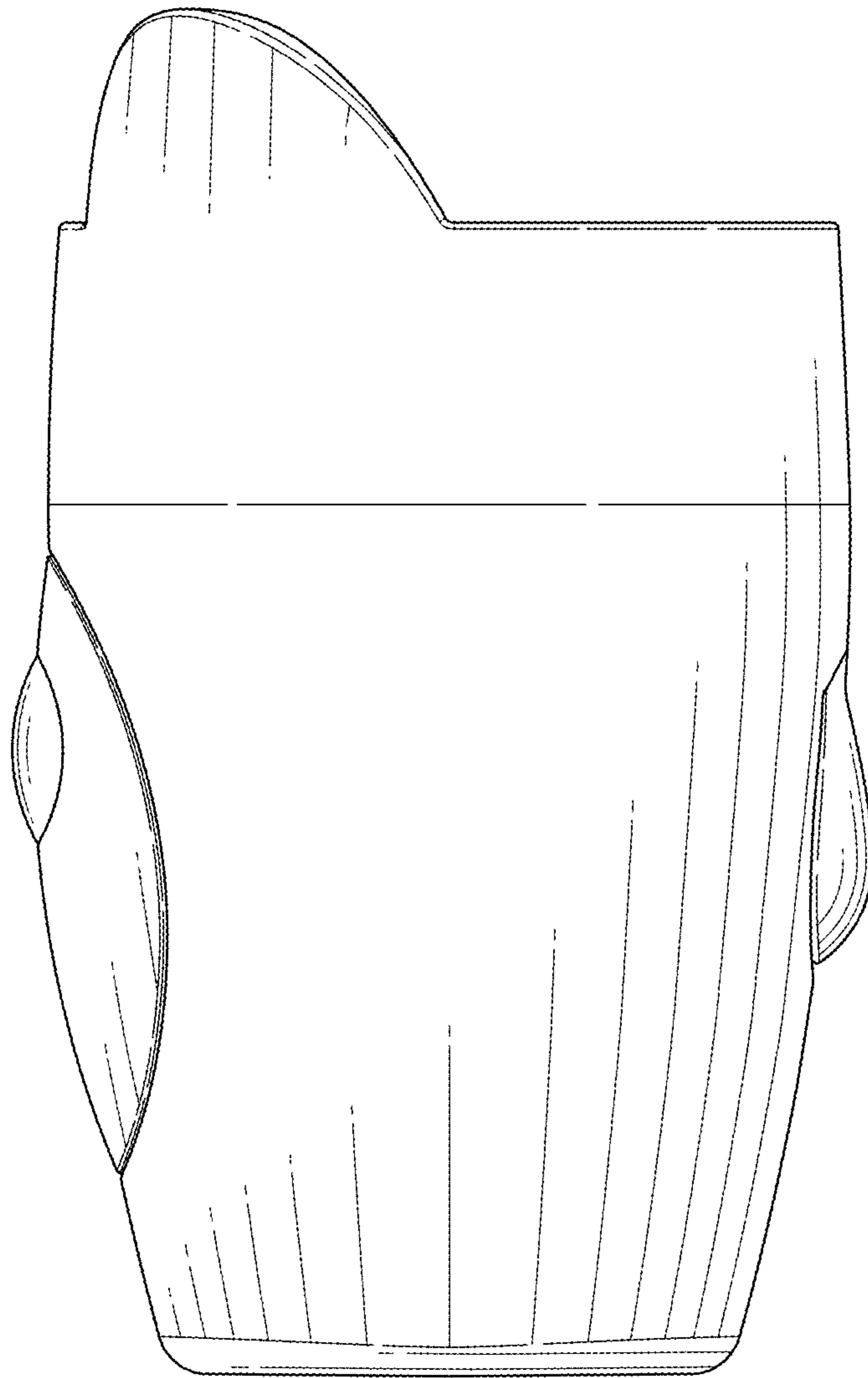


FIG. 5

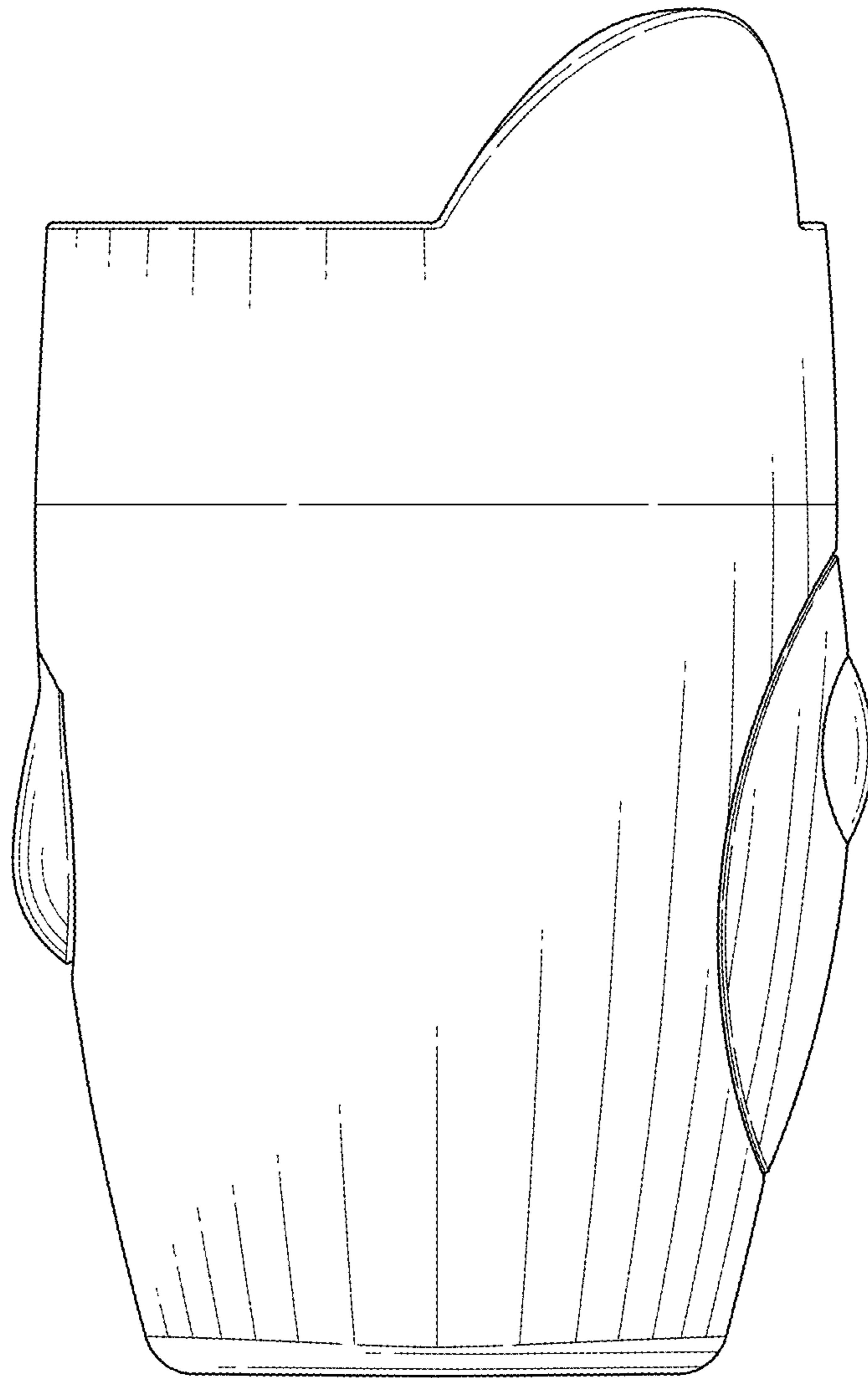


FIG. 6

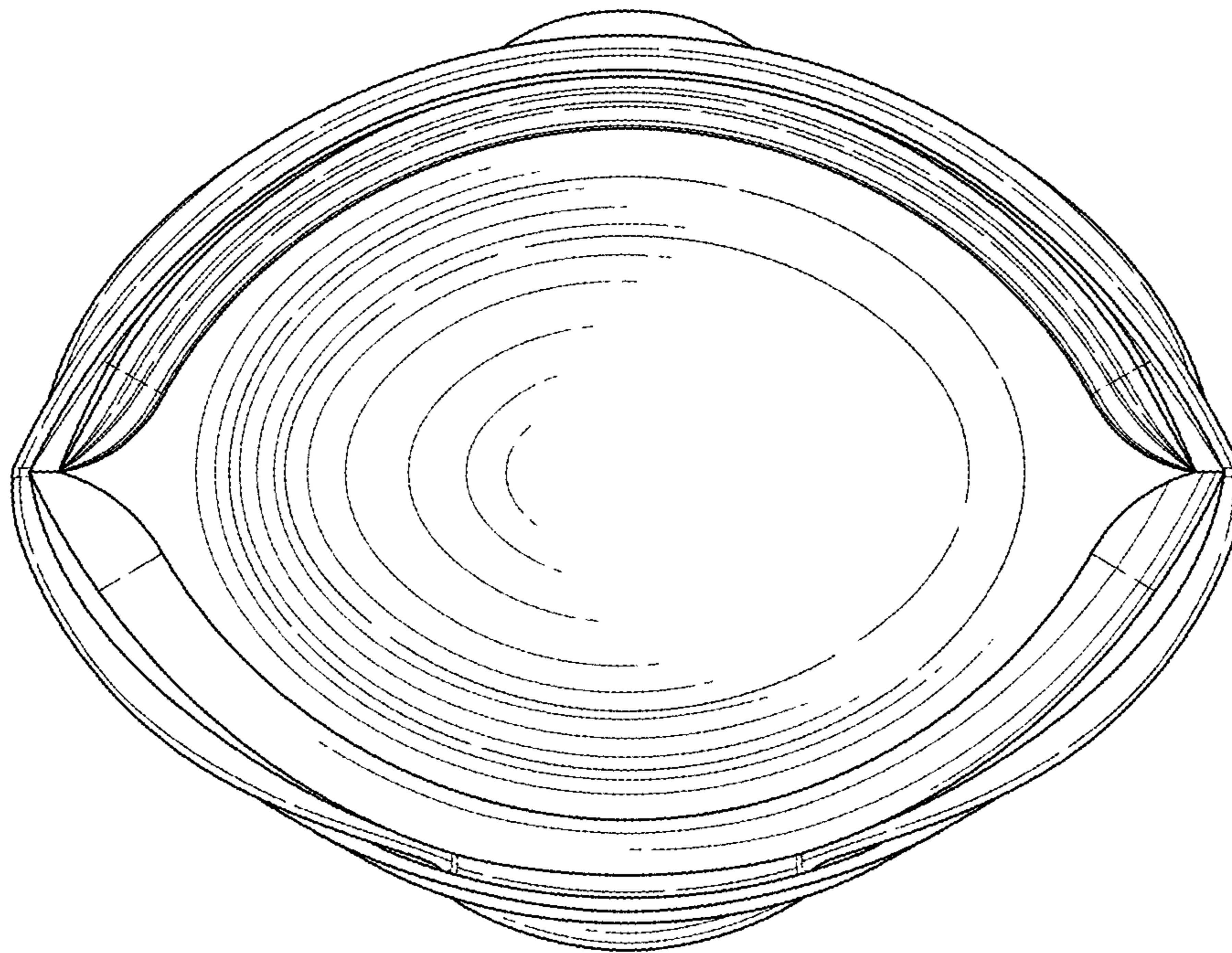


FIG. 7

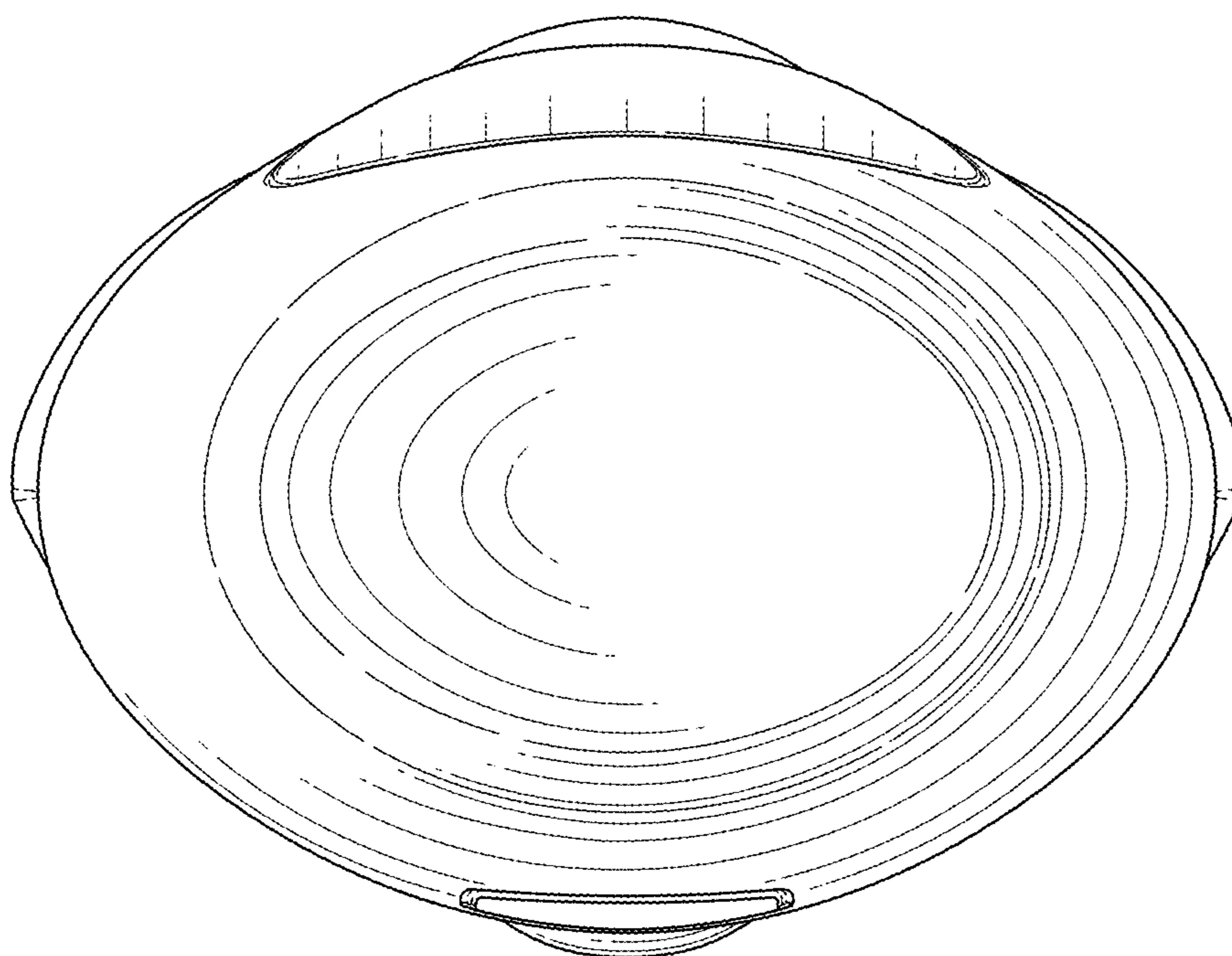


FIG. 8

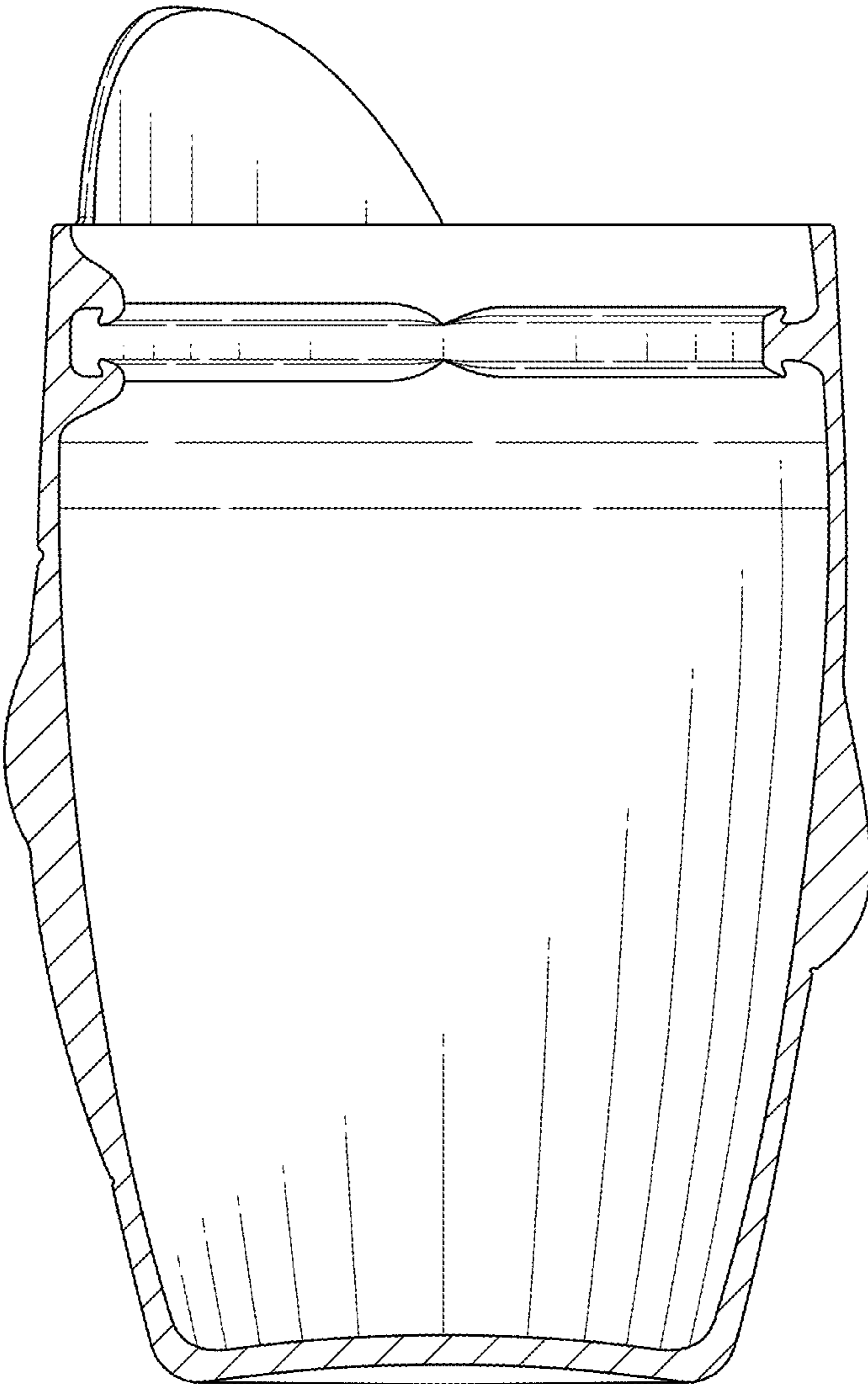


FIG. 9