

US00D873073S

(12) **United States Design Patent**
Yoon et al.

(10) **Patent No.:** **US D873,073 S**
(45) **Date of Patent:** **** *Jan. 21, 2020**

(54) **DOOR FOR OVEN**

- (71) Applicant: **Samsung Electronics Co., Ltd.**, Suwon-si (KR)
- (72) Inventors: **Selim Yoon**, Seongnam-si (KR); **Hyeongju Seo**, Seoul (KR); **Junkyo Lee**, Seongnam-si (KR); **Jongsu Jeon**, Seongnam-si (KR)
- (73) Assignee: **Samsung Electronics Co., Ltd.**, Suwon-si (KR)
- (*) Notice: This patent is subject to a terminal disclaimer.

(**) Term: **15 Years**

(21) Appl. No.: **29/649,423**

(22) Filed: **May 30, 2018**

(30) **Foreign Application Priority Data**

Jan. 31, 2018 (KR) 30-2018-0005359

(51) **LOC (12) Cl.** **07-02**

(52) **U.S. Cl.**
USPC **D7/405**

(58) **Field of Classification Search**
USPC D7/402-407, 323, 346-349, 332, 351,
D7/350.1-350.4, 339-340

(Continued)

(56) **References Cited**

U.S. PATENT DOCUMENTS

D477,177 S * 7/2003 Jeong D7/340
D521,317 S * 5/2006 Hessen D7/340

(Continued)

FOREIGN PATENT DOCUMENTS

CN 2016300544443 11/2016
EM 003135946-0001 5/2016

(Continued)

OTHER PUBLICATIONS

“GE Profile™ Series 30” Slide-In Front Control Double Oven Gas Range.” [2018] products.geappliances.com Mar. 19, 2018 <http://products.geappliances.com/appliance/gea-specs/PGS950SEFSS>.

Primary Examiner — Nicole C Shiflet

(74) *Attorney, Agent, or Firm* — NSIP Law

(57) **CLAIM**

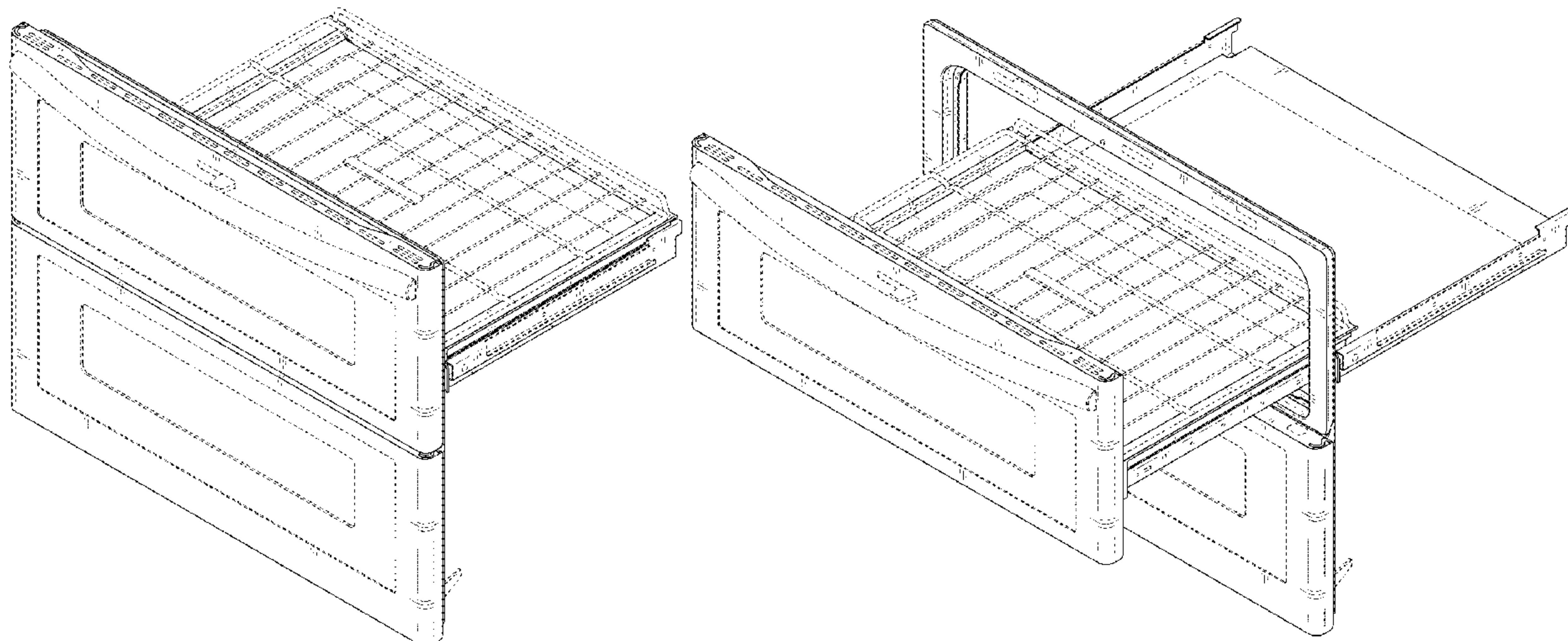
We claim the ornamental design for a door for oven, as shown and described.

DESCRIPTION

FIG. 1 is a front perspective view of a door for oven shown in a closed state showing our new design;
 FIG. 2 is a front view thereof;
 FIG. 3 is a rear view thereof;
 FIG. 4 is a left-side view thereof;
 FIG. 5 is a right-side view thereof;
 FIG. 6 is a top view thereof;
 FIG. 7 is a bottom view thereof;
 FIG. 8 is a rear perspective view thereof;
 FIG. 9 is a front perspective view thereof, shown in an environment of use;
 FIG. 10 is a front perspective view of the door for an oven shown in an open state;
 FIG. 11 is a front view thereof;
 FIG. 12 is a rear view thereof;
 FIG. 13 is a left-side view thereof;
 FIG. 14 is a right-side view thereof;
 FIG. 15 is a top view thereof;
 FIG. 16 is a bottom view thereof;
 FIG. 17 is a rear perspective view thereof; and,
 FIG. 18 is a front perspective view thereof, shown in an environment of use.

The broken lines in the figures depicting portions of the door for oven form no part of the claimed design. The broken lines in FIGS. 9 and 18 illustrating an oven environment that form no part of the claimed design.

1 Claim, 13 Drawing Sheets



(58) **Field of Classification Search**

CPC .. F24C 3/002; F24C 3/00; F24C 15/02; F24C
7/00; F24C 5/00; H05B 1/0263; H05B
1/0261

See application file for complete search history.

(56) **References Cited**

U.S. PATENT DOCUMENTS

D521,805	S *	5/2006	Hessen	D7/405
D546,121	S *	7/2007	Hessen	D7/405
D645,701	S *	9/2011	Murphy	D7/402
D652,677	S	1/2012	Browne et al.		
D657,191	S *	4/2012	Browne	D7/405
D754,476	S *	4/2016	Crookshanks	D7/405
D755,007	S *	5/2016	Lee	D7/405
D778,670	S *	2/2017	Lee	D7/405
D793,149	S *	8/2017	Lee	D7/323
2014/0097172	A1 *	4/2014	Kang	F24C 15/02 219/394
2017/0108228	A1 *	4/2017	Park	E05C 3/16

FOREIGN PATENT DOCUMENTS

JP	D1180234	7/2003
KR	30-2009-0040263	12/2010

* cited by examiner

FIG. 1

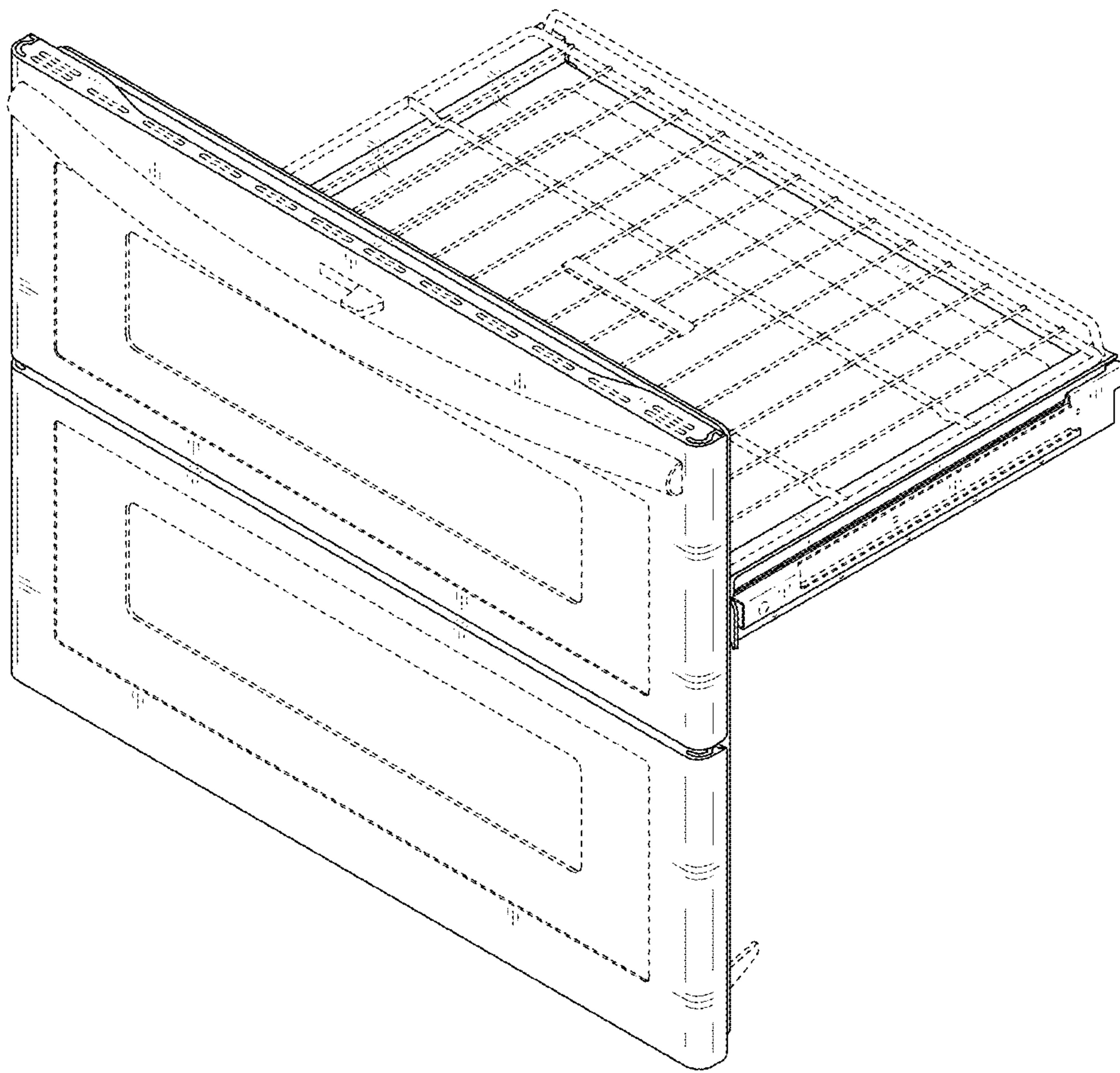


FIG. 2

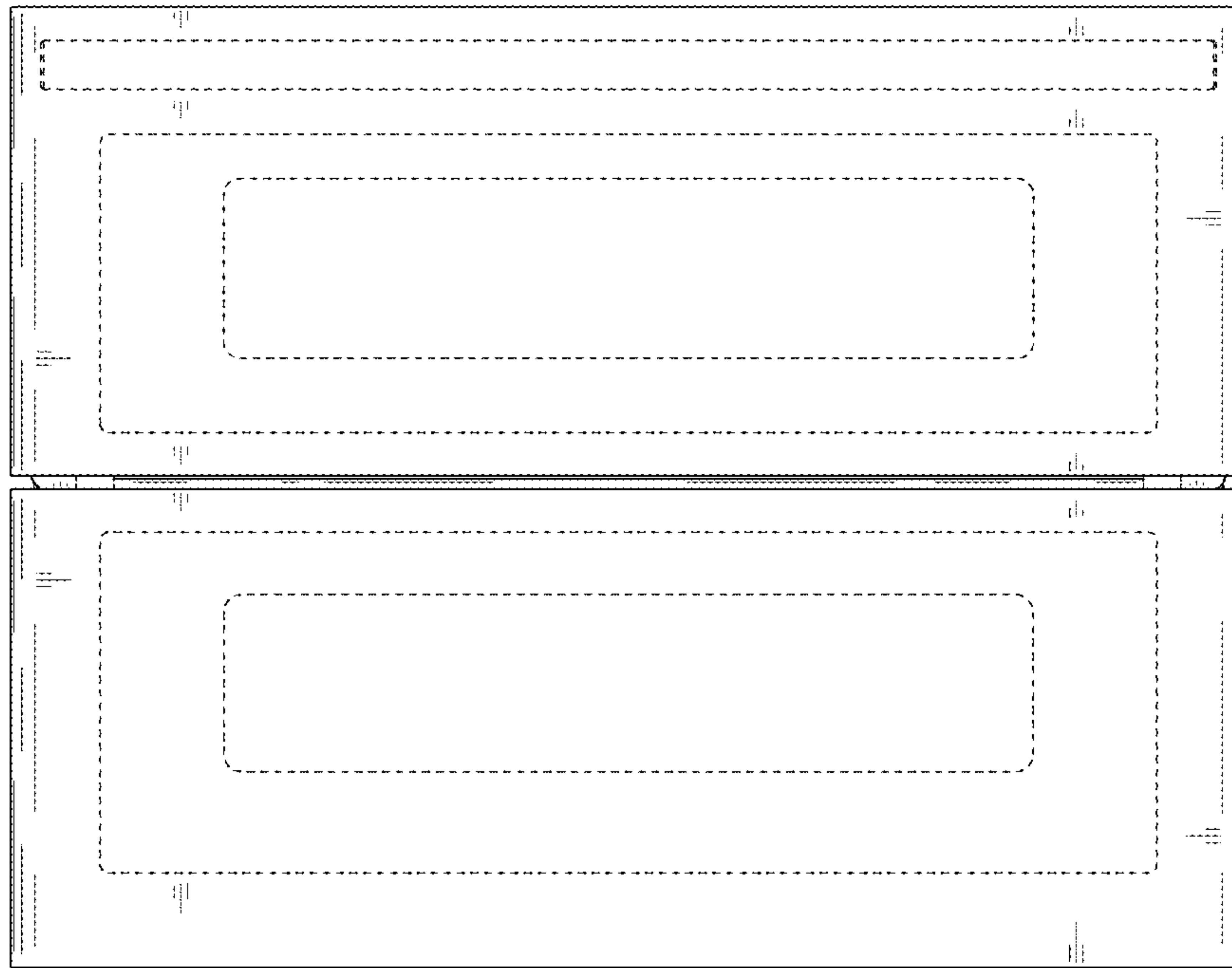


FIG. 3

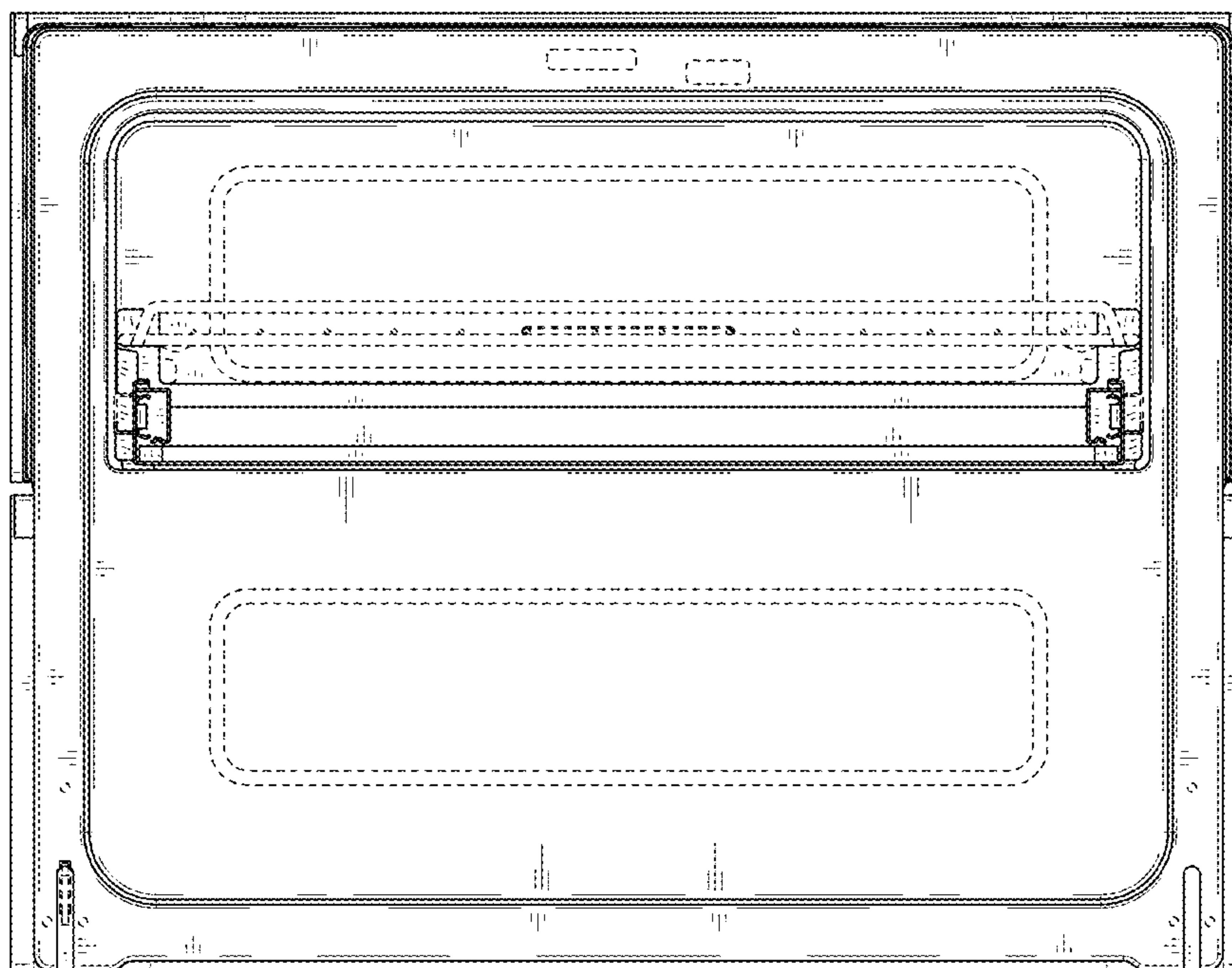


FIG. 4

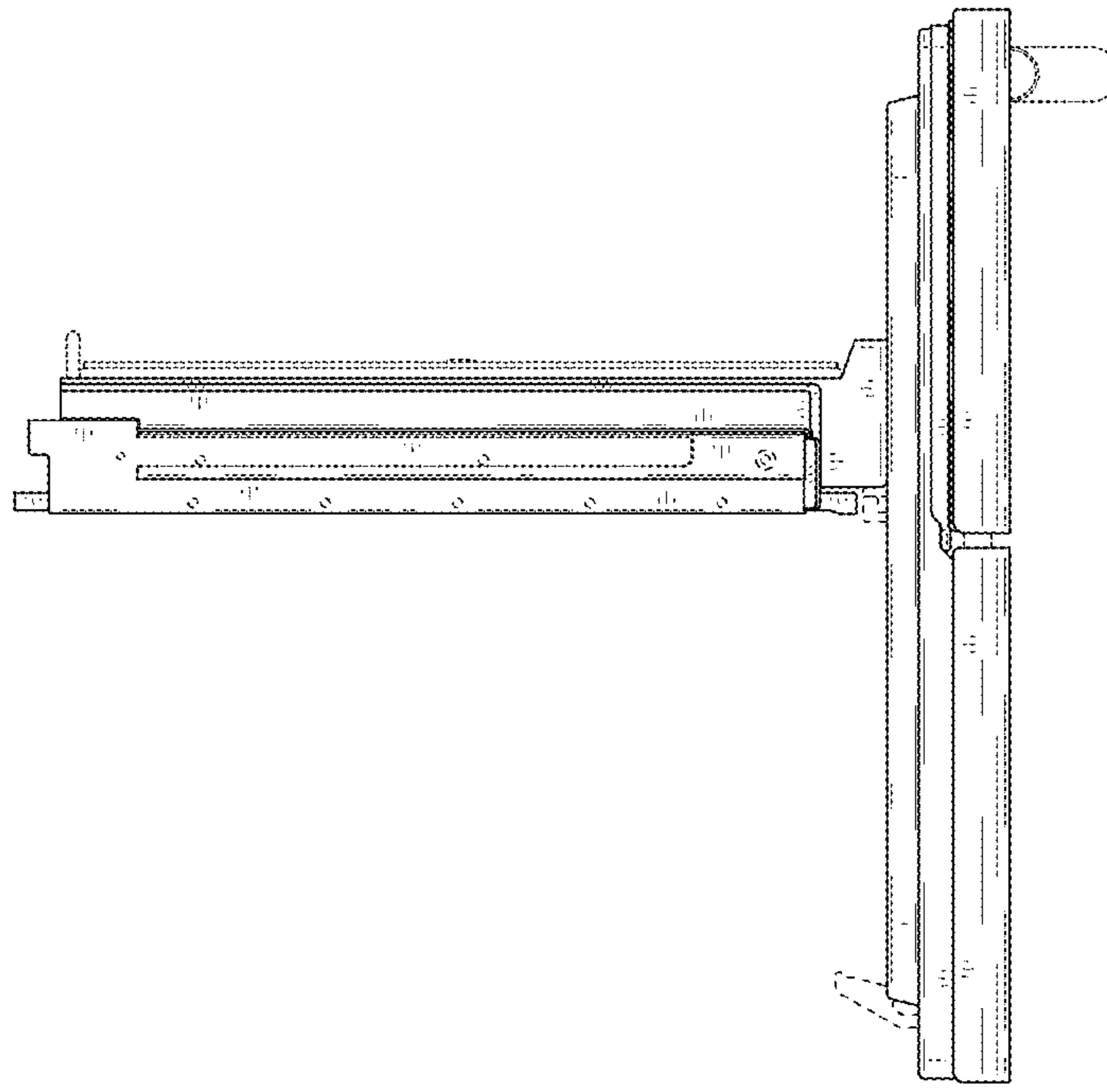


FIG. 5

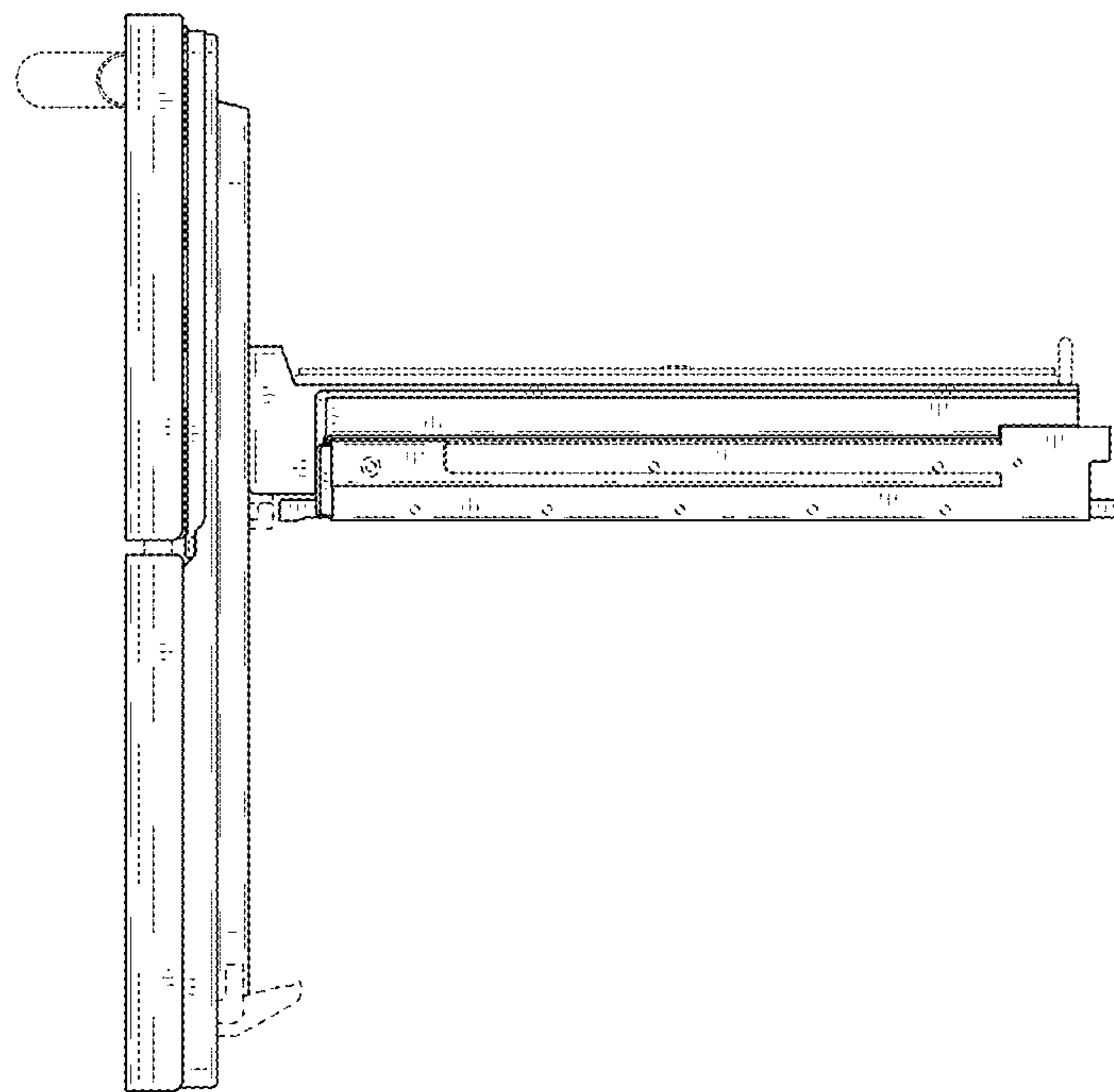


FIG. 6

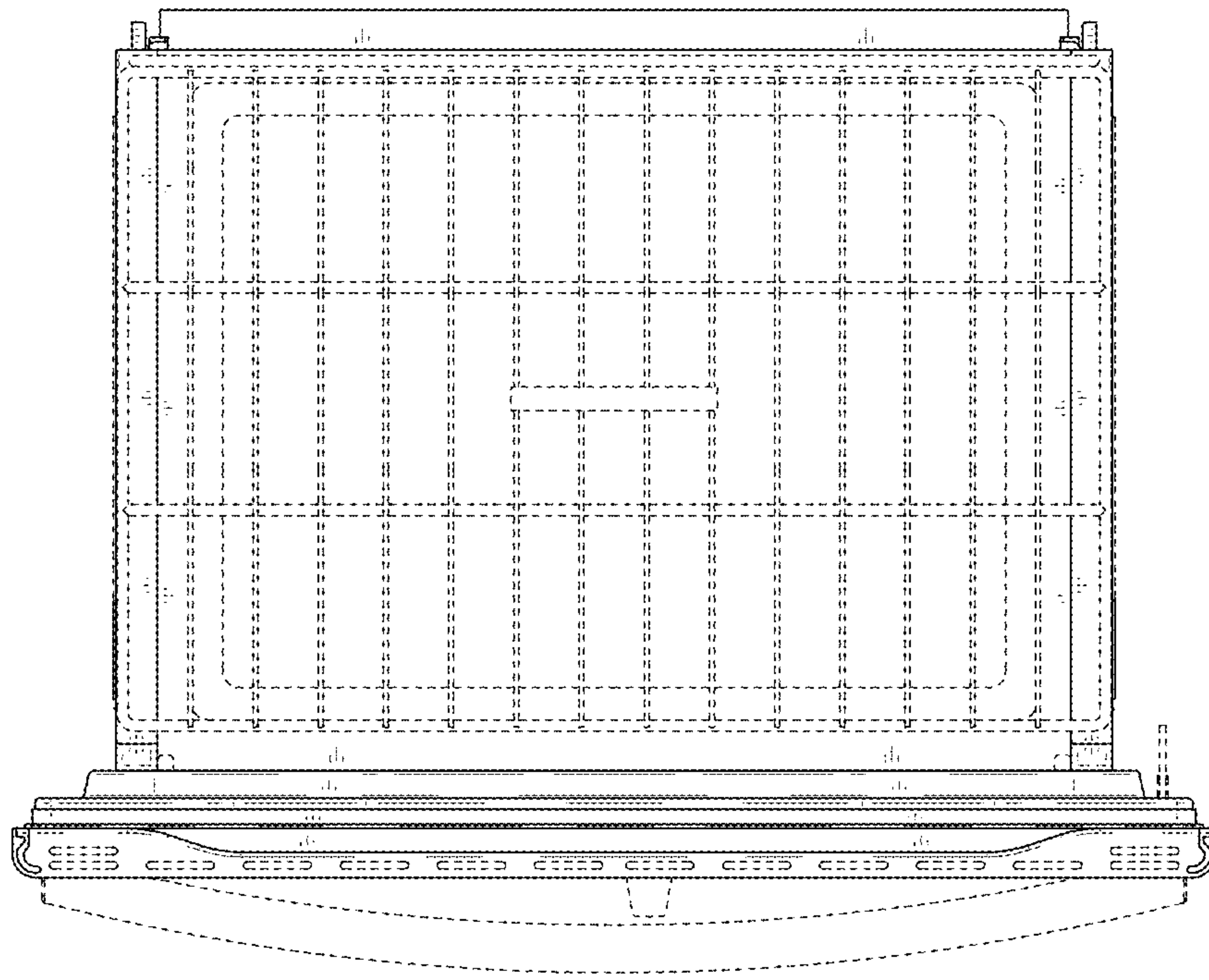


FIG. 7

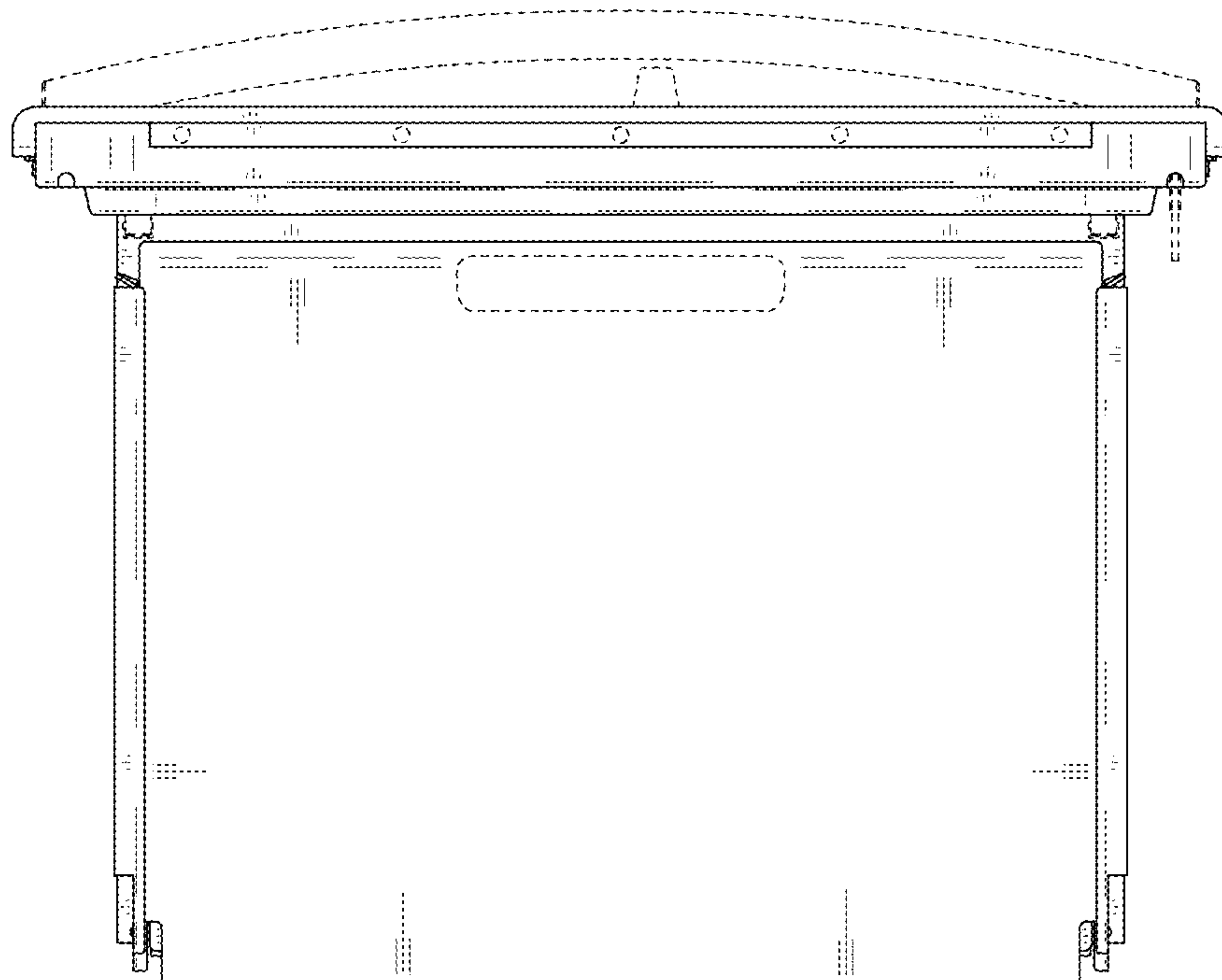


FIG. 8

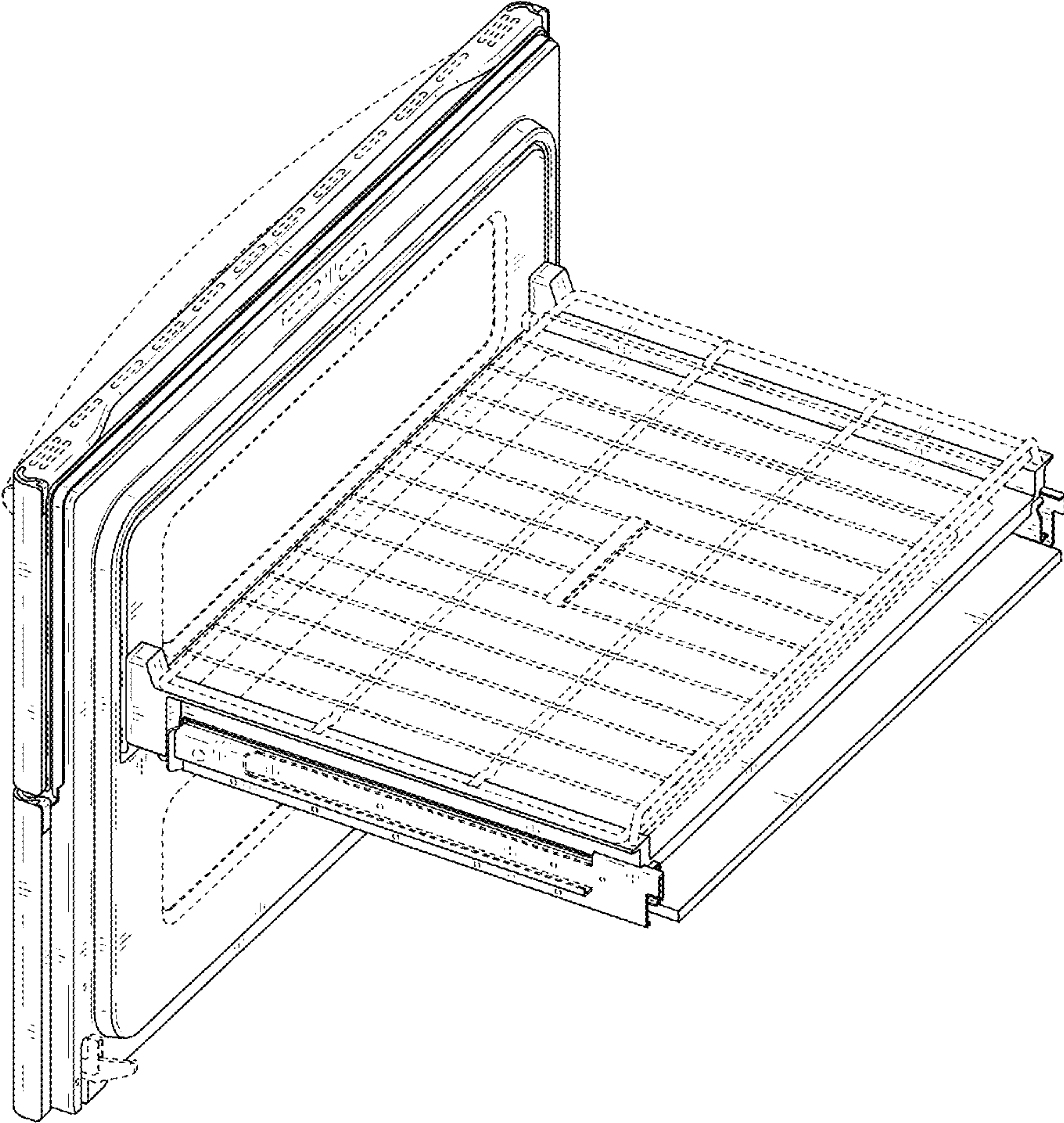


FIG. 9

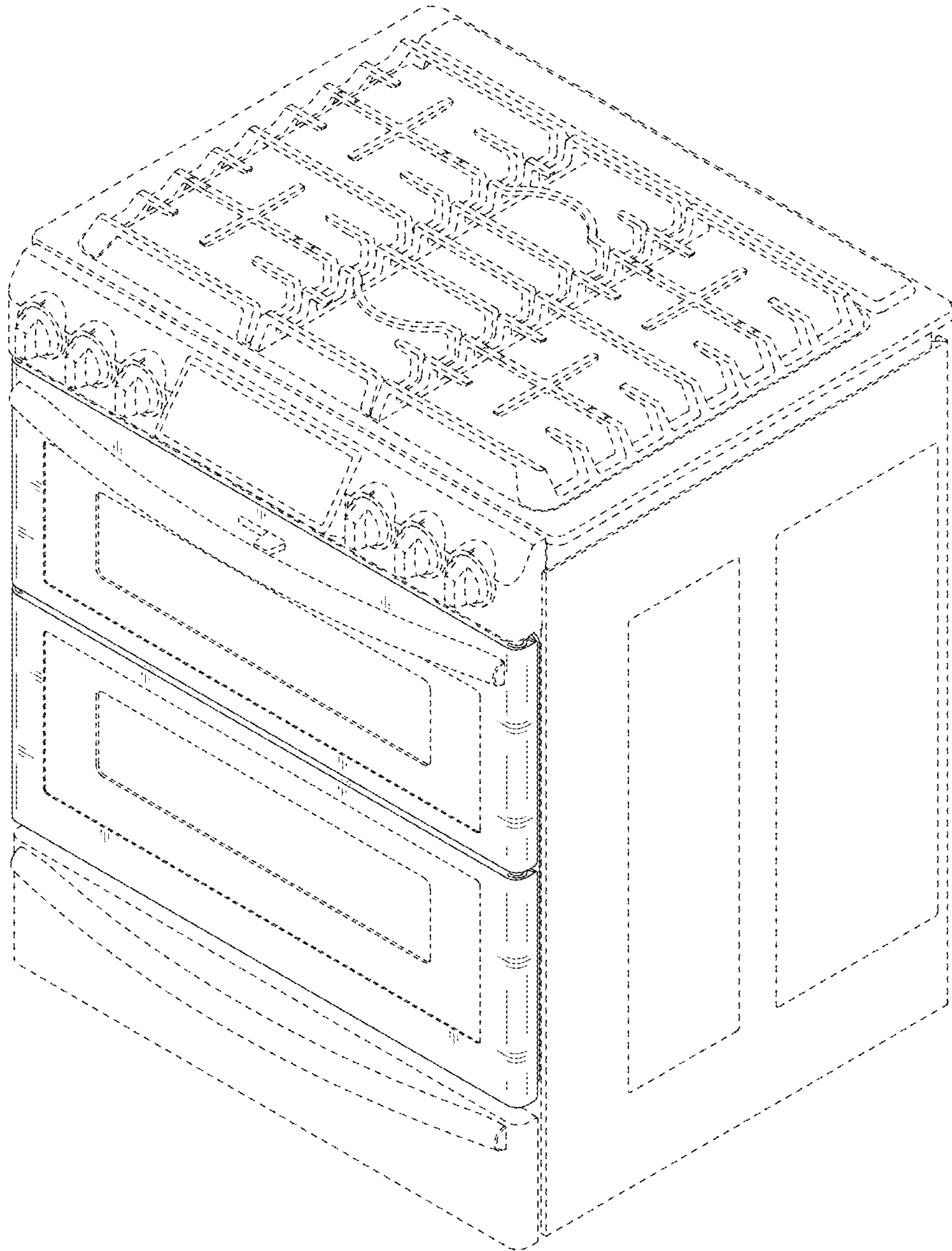


FIG. 10

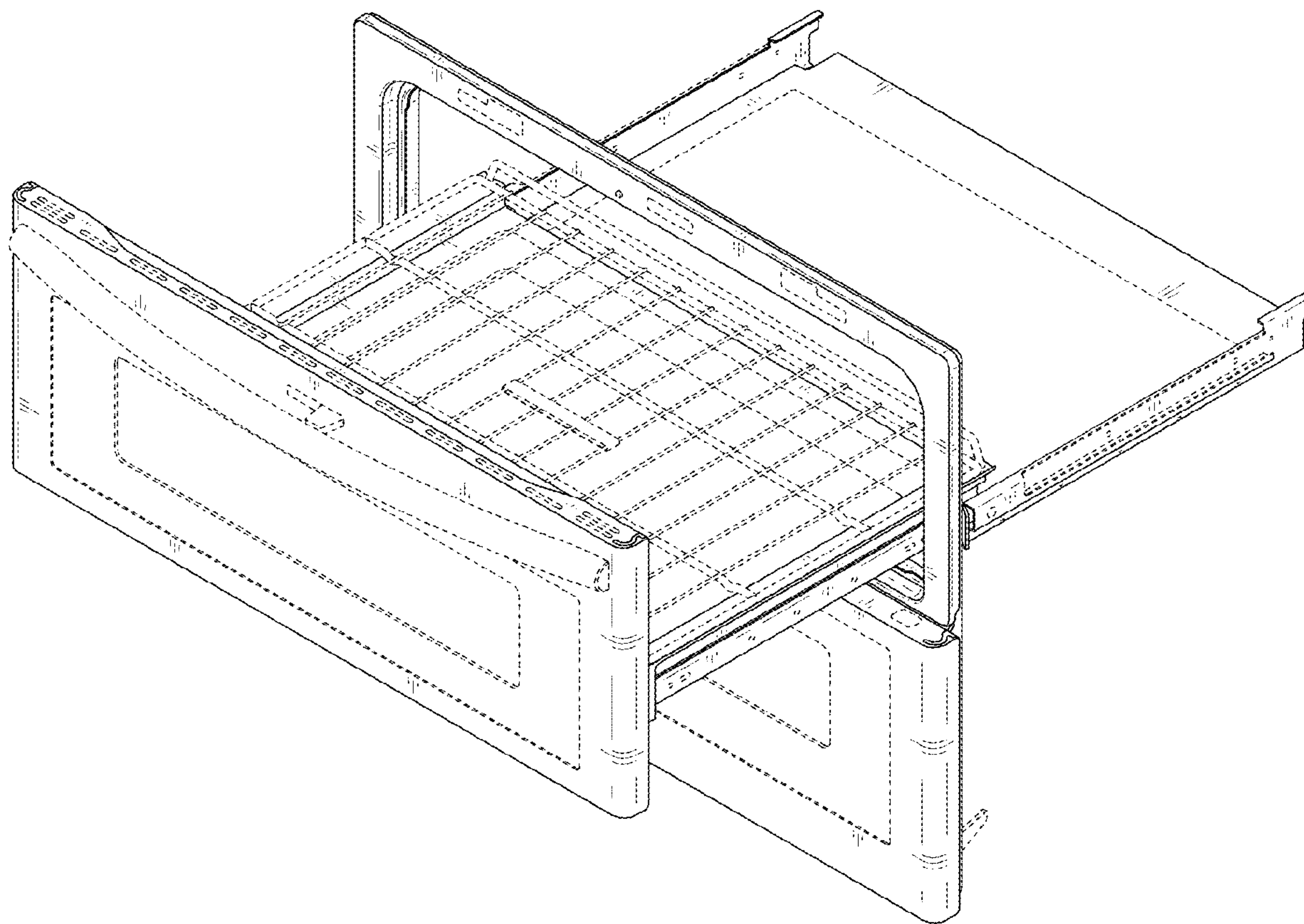


FIG. 11

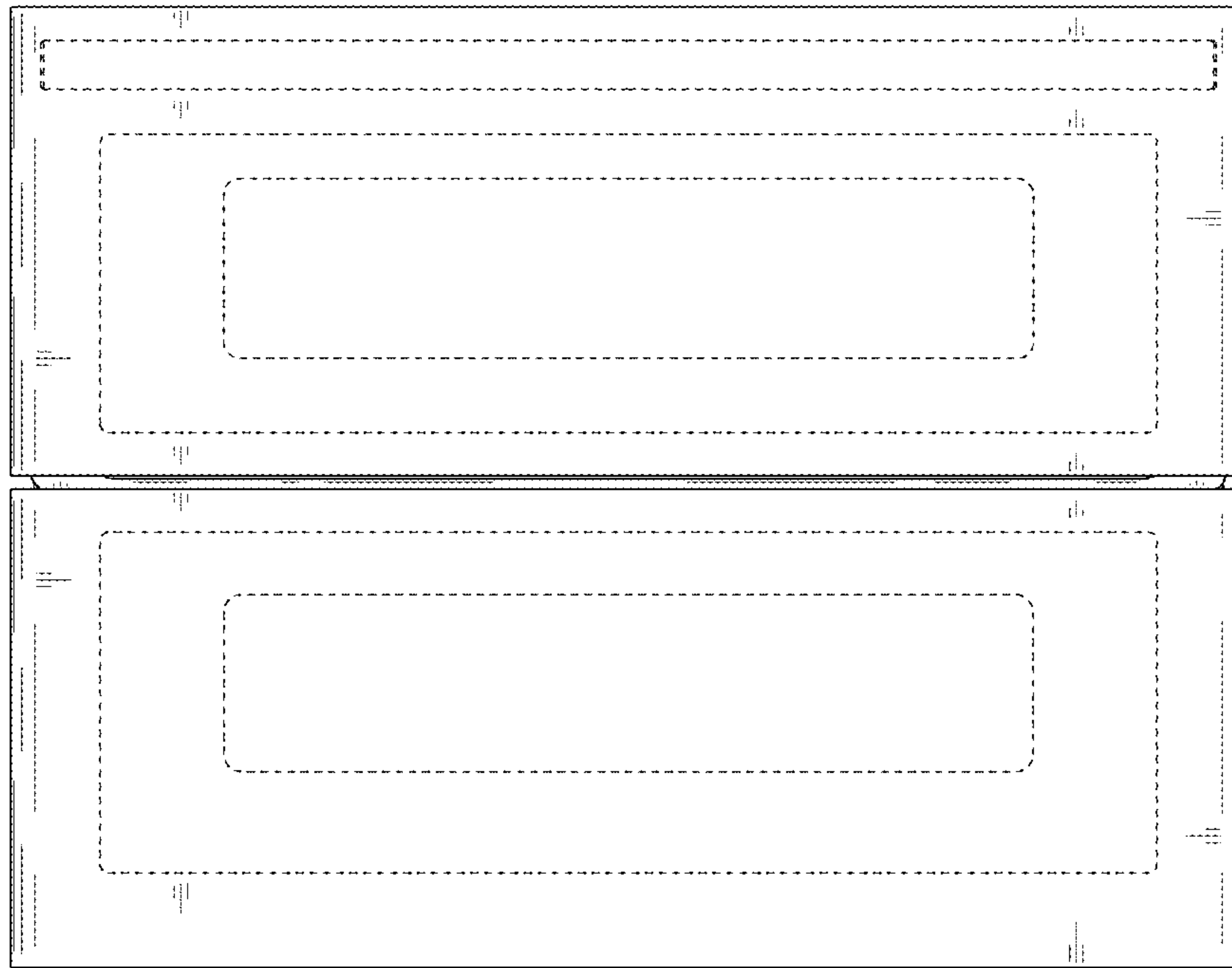


FIG. 12

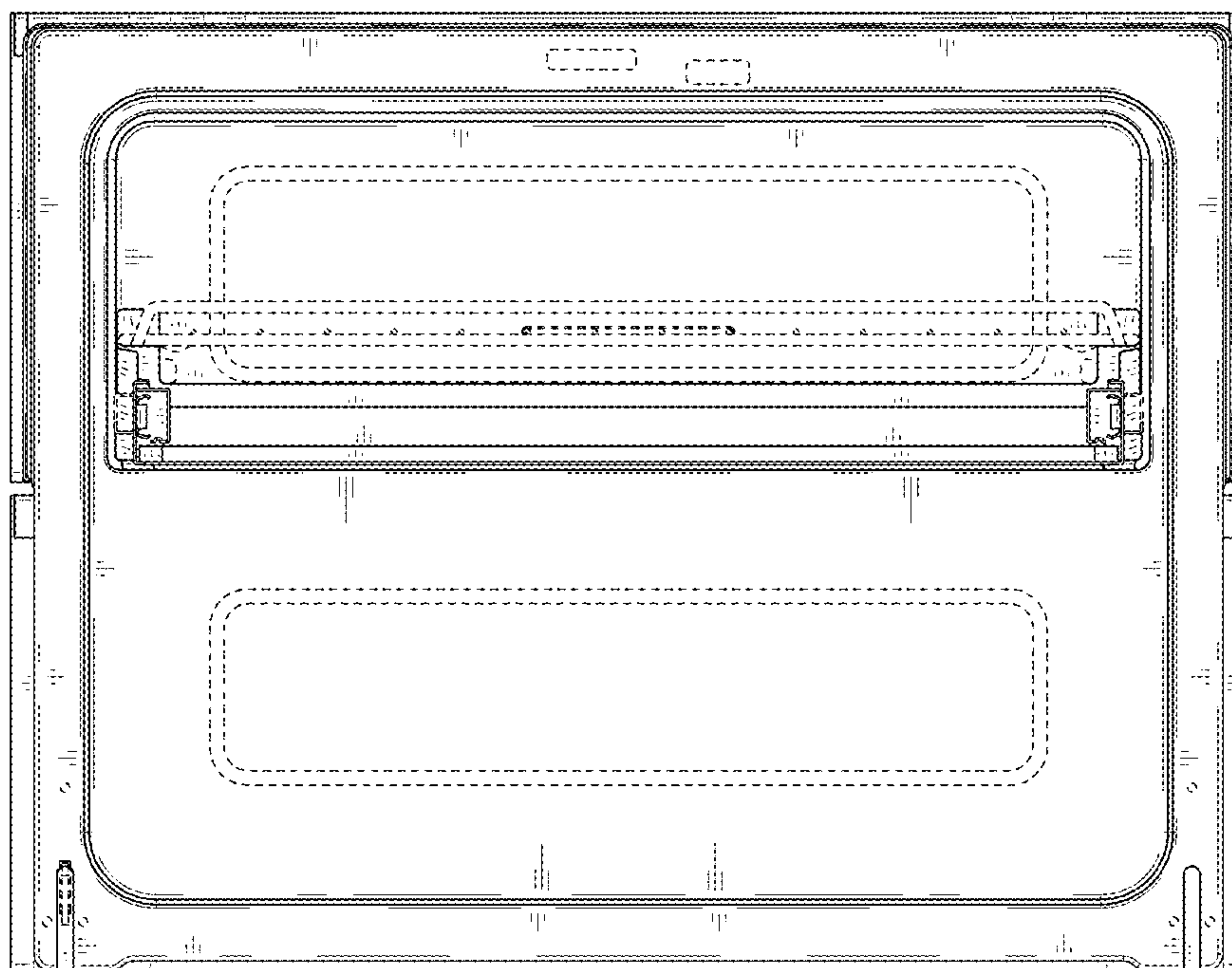


FIG. 13

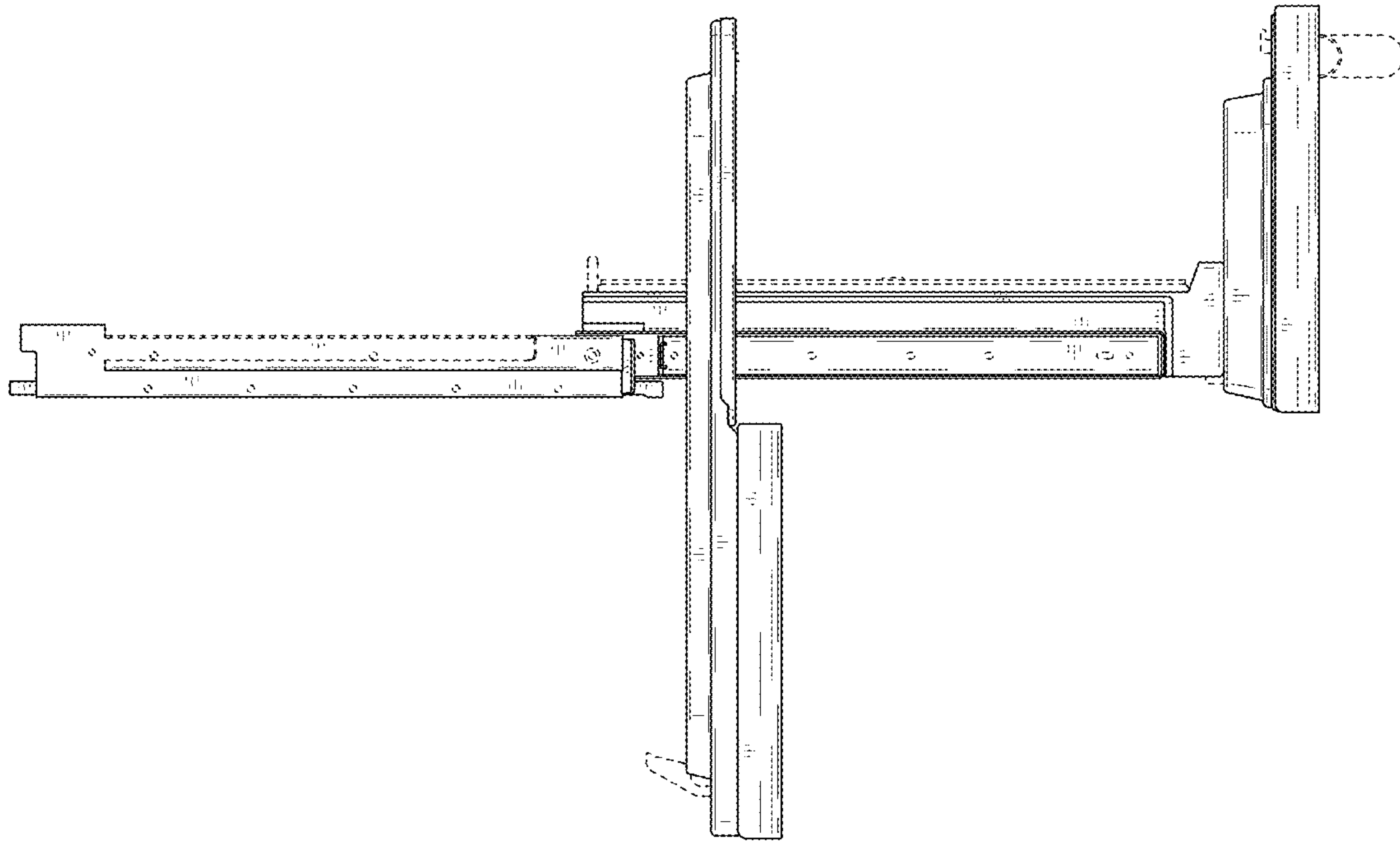


FIG. 14

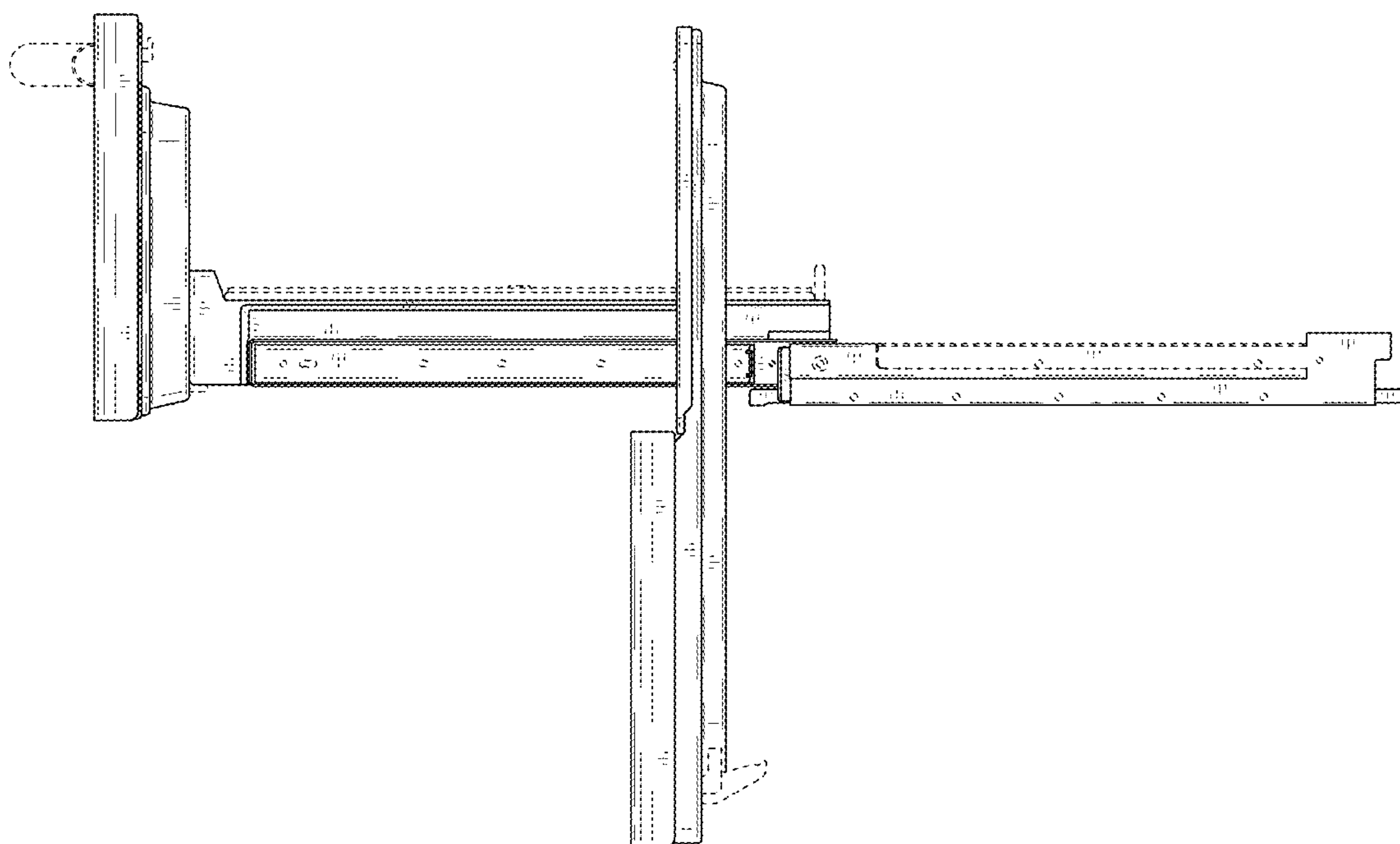


FIG. 15

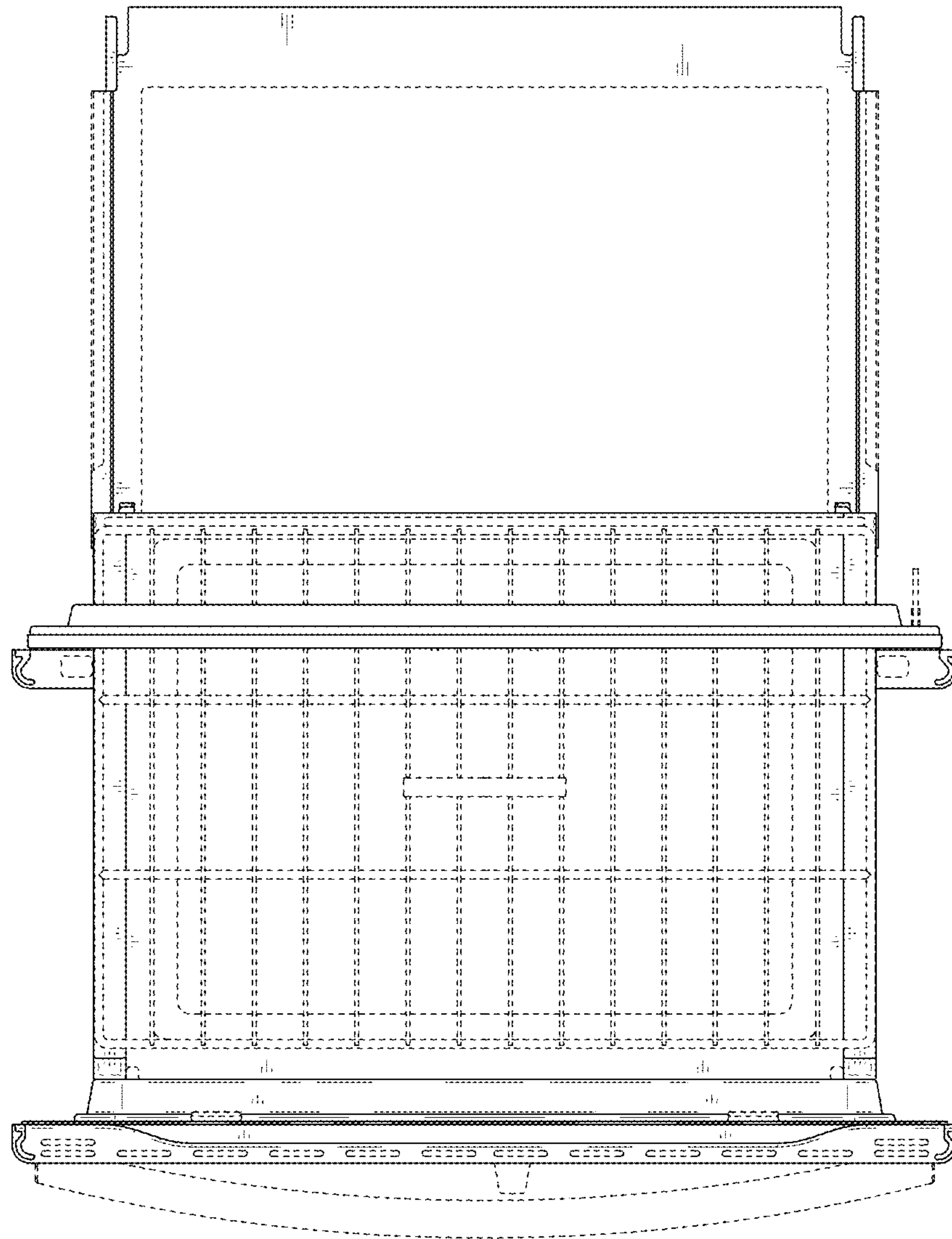


FIG. 16

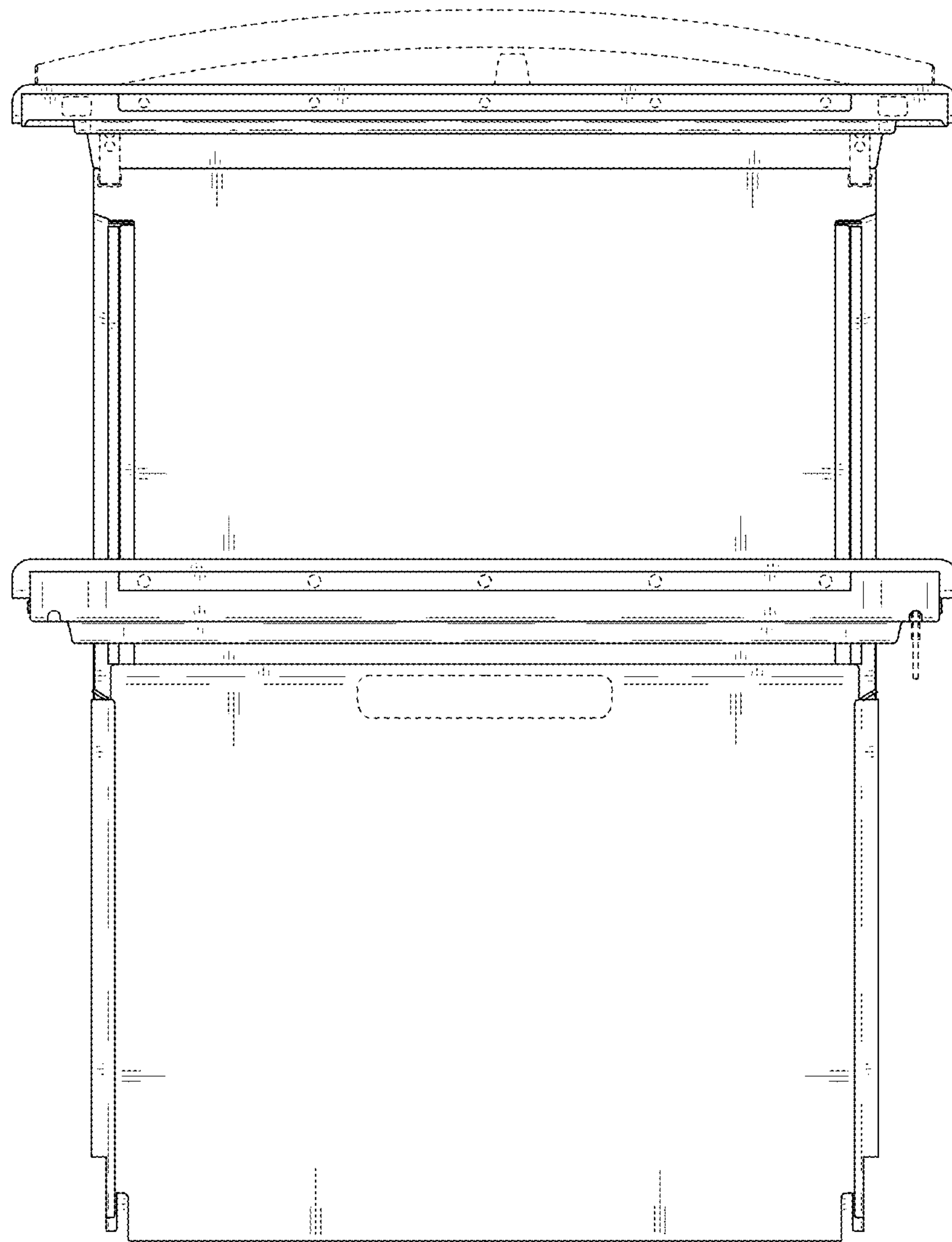


FIG. 17

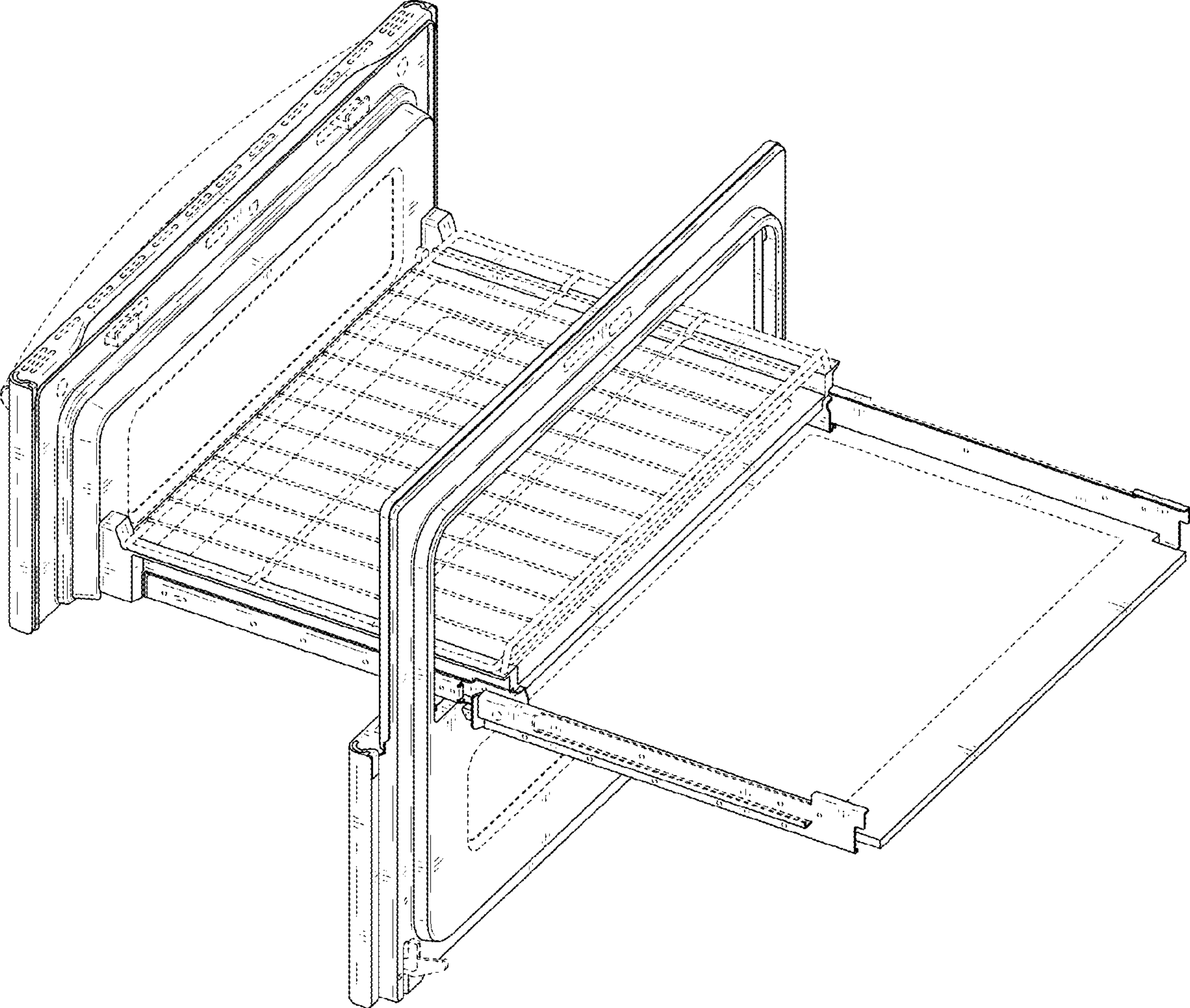


FIG. 18

