



US00D873072S

(12) **United States Design Patent** (10) **Patent No.:** **US D873,072 S**
McConnell et al. (45) **Date of Patent:** **** Jan. 21, 2020**

- (54) **KETTLE**
- (71) Applicant: **WHIRLPOOL CORPORATION**,
Benton Harbor, MI (US)
- (72) Inventors: **John W. McConnell**, St. Joseph, MI
(US); **Ben C. Shao**, Clarendon Hills, IL
(US); **Wenkai Wu**, Aurora, IL (US)
- (73) Assignee: **Whirlpool Corporation**, Benton
Harbor, MI (US)
- (**) Term: **15 Years**
- (21) Appl. No.: **29/621,638**
- (22) Filed: **Oct. 10, 2017**
- (51) **LOC (12) Cl.** **07-99**
- (52) **U.S. Cl.**
USPC **D7/399**
- (58) **Field of Classification Search**
USPC D7/316-321, 378, 384, 598, 600, 619.1,
D7/622; D9/544, 545, 548, 549
CPC A47J 27/21175; A47J 31/00; A47J 31/005;
A47G 19/14; A47G 19/22
See application file for complete search history.

D714,581 S	10/2014	Shao	
D714,582 S	10/2014	Norland et al.	
D714,586 S	10/2014	Grasselli et al.	
D720,176 S	12/2014	Norland et al.	
D777,500 S *	1/2017	Lee	D7/317
D815,874 S *	4/2018	Chung	D7/319
D818,756 S *	5/2018	Averty	D7/318
D824,715 S *	8/2018	Bradshaw	D7/318
D827,355 S *	9/2018	Powell	D7/318
2005/0229788 A1 *	10/2005	White	A47J 27/21175 99/323

* cited by examiner

Primary Examiner — Derrick E Holland

Assistant Examiner — Andrew Kerr

(74) *Attorney, Agent, or Firm* — Price Heneveld LLP

(57) **CLAIM**

We claim the ornamental design for a kettle, as shown and described.

DESCRIPTION

FIG. 1 is a front perspective view of a kettle of the present disclosure;

FIG. 2 is a rear perspective view of the kettle of FIG. 1;

FIG. 3 is a front elevational view of the kettle of FIG. 1;

FIG. 4 is a rear elevational view of the kettle of FIG. 1;

FIG. 5 is a first side elevational view of the kettle of FIG. 1;

FIG. 6 is a second side elevational view of the kettle of FIG. 1;

FIG. 7 is a top plan view of the kettle of FIG. 1; and,

FIG. 8 is a bottom plan view of the kettle of FIG. 1.

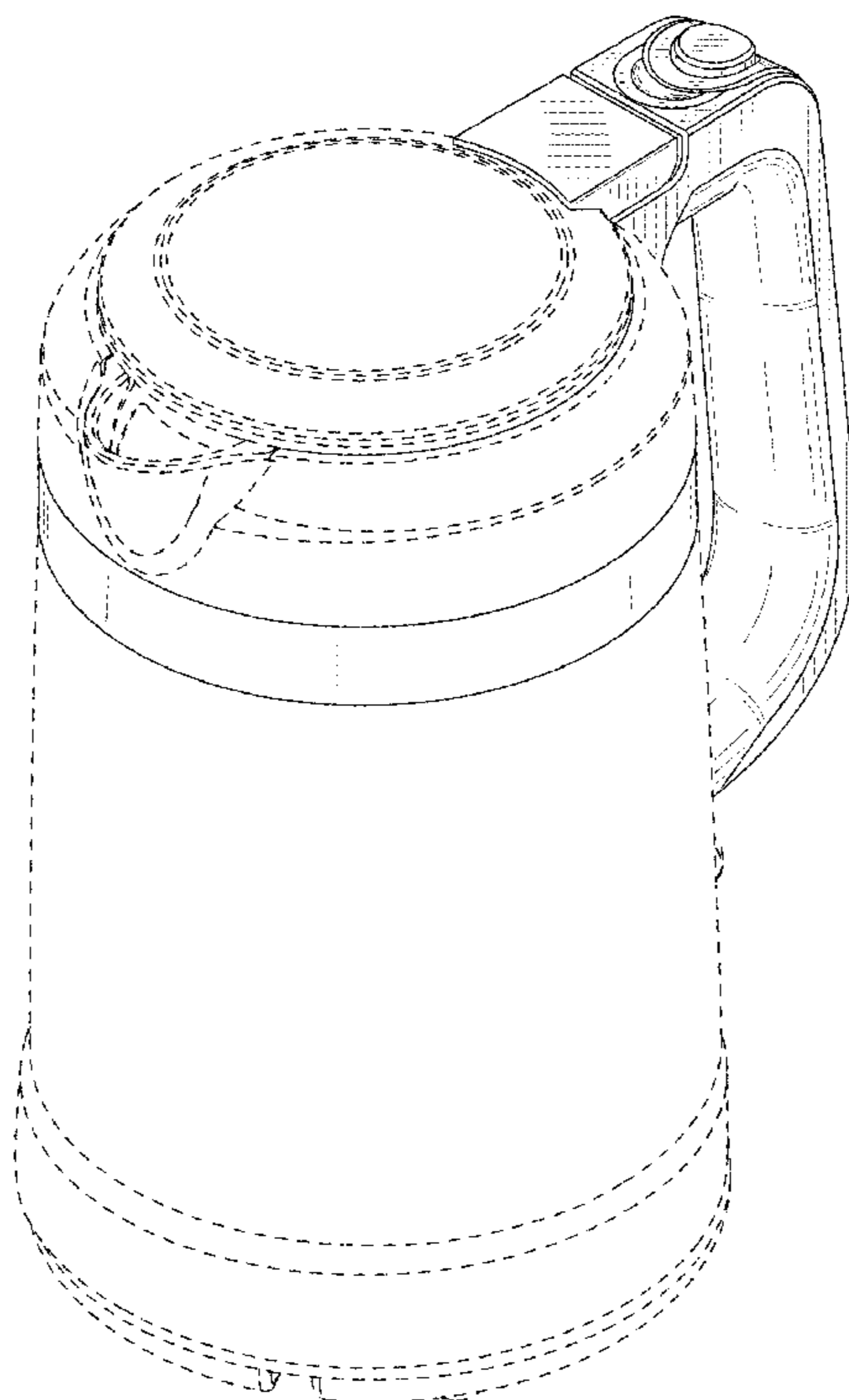
The broken lines depict portions of the article that form no part of the claimed design.

1 Claim, 8 Drawing Sheets

(56) **References Cited**

U.S. PATENT DOCUMENTS

4,623,457 A *	11/1986	Hankammer	C02F 1/003 210/237
D622,090 S *	8/2010	Bodum	D7/317
D680,792 S *	4/2013	Bodum	D7/317
D713,669 S	9/2014	Norland et al.		



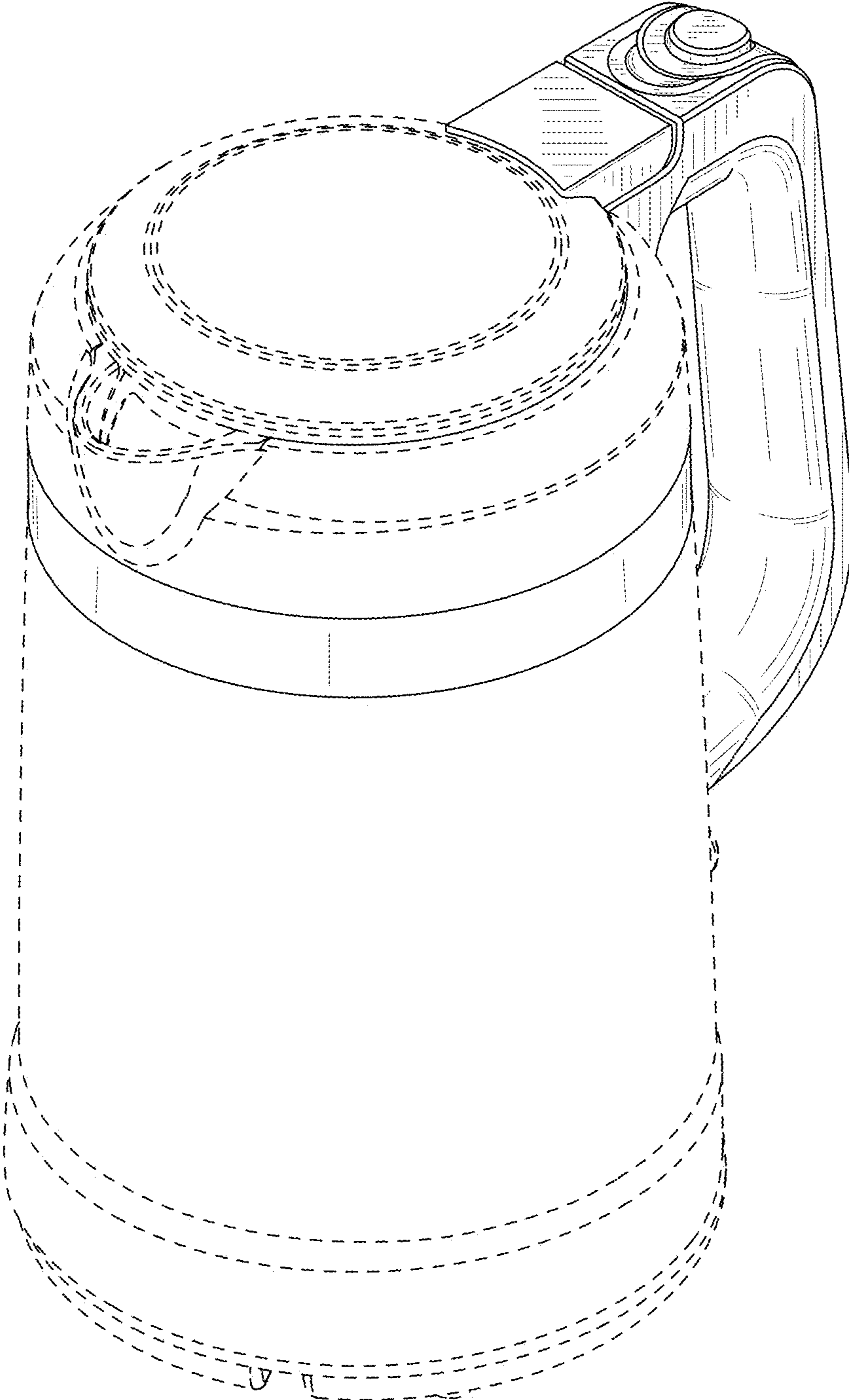


FIG. 1

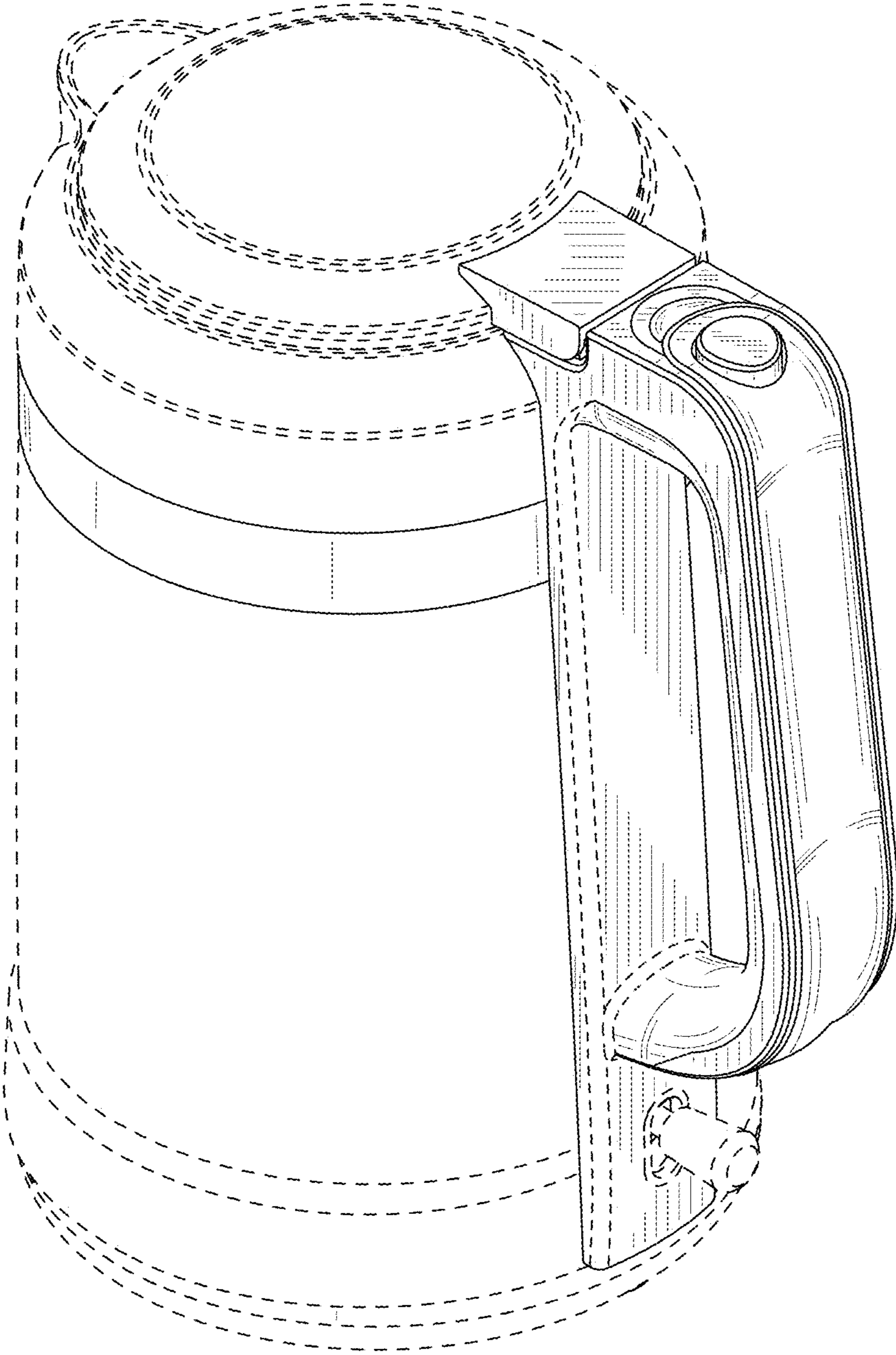


FIG. 2

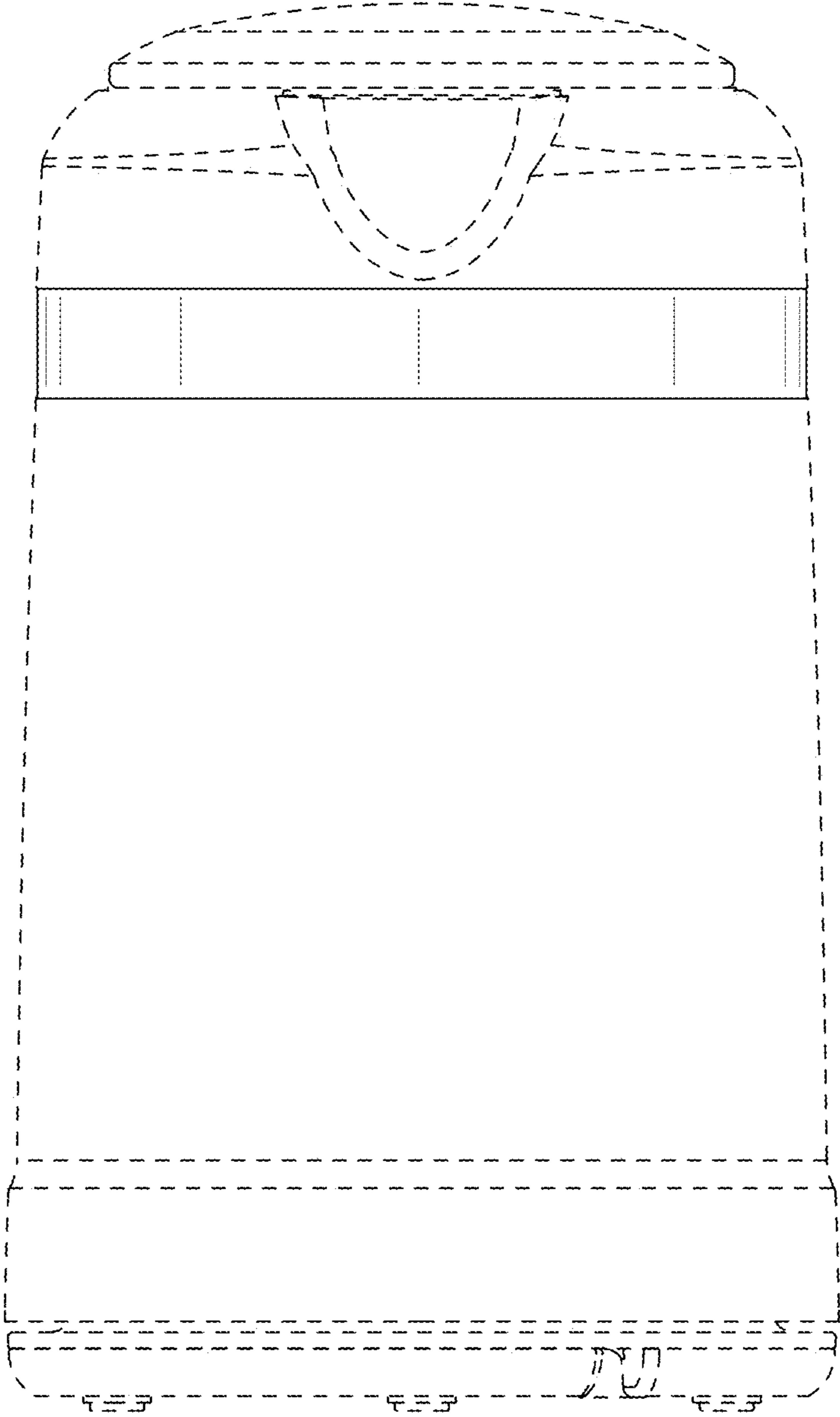


FIG. 3

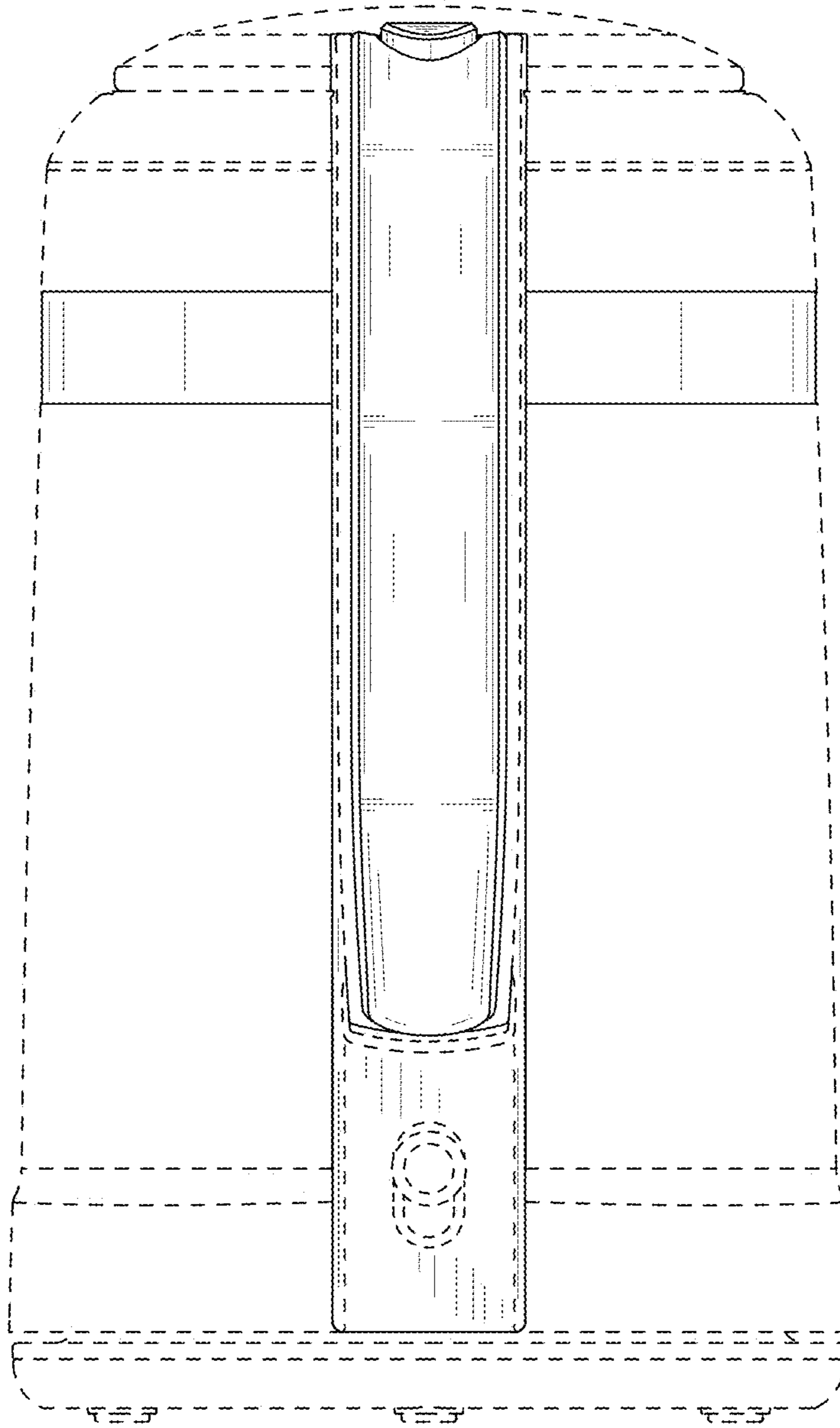


FIG. 4

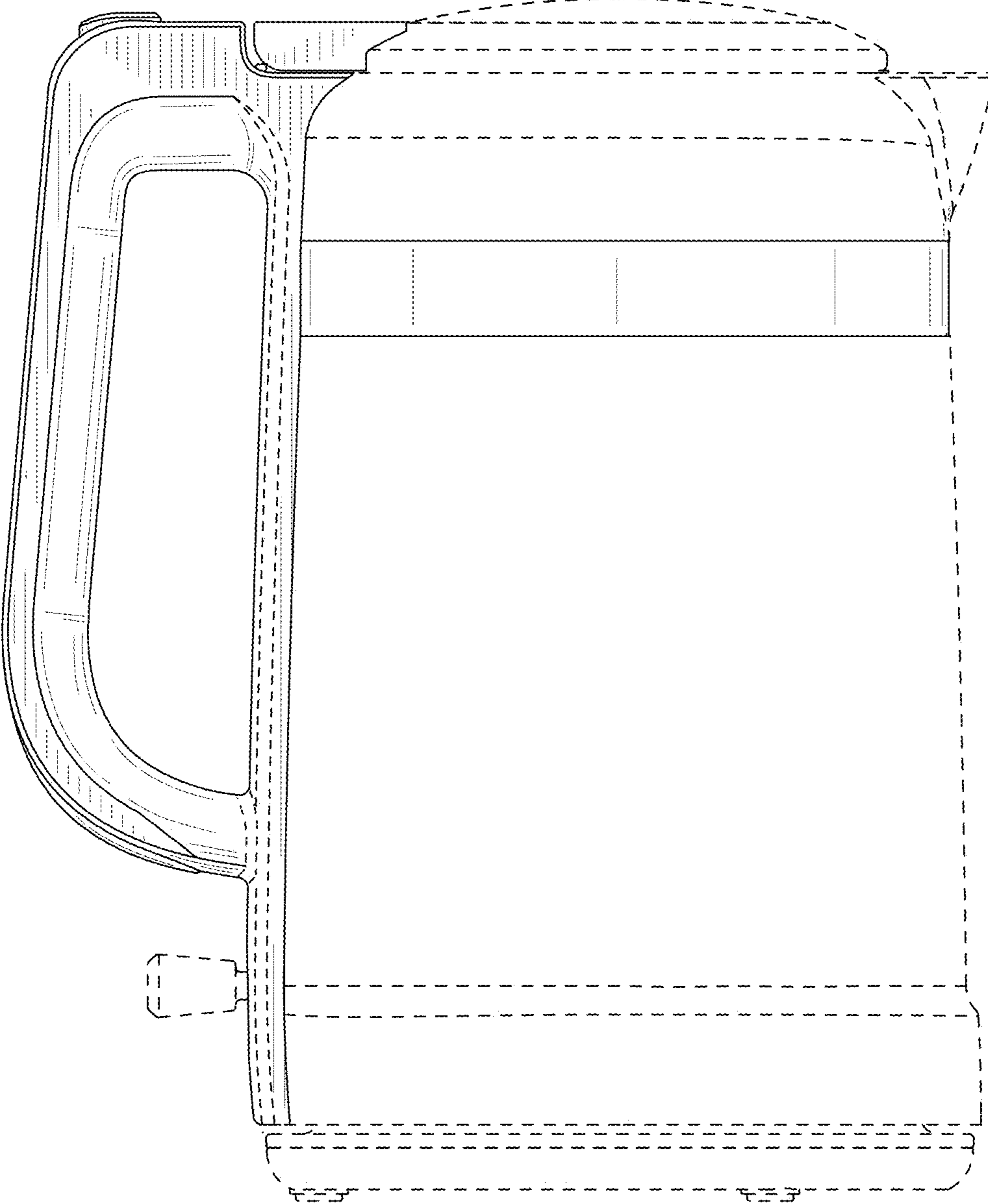


FIG. 5

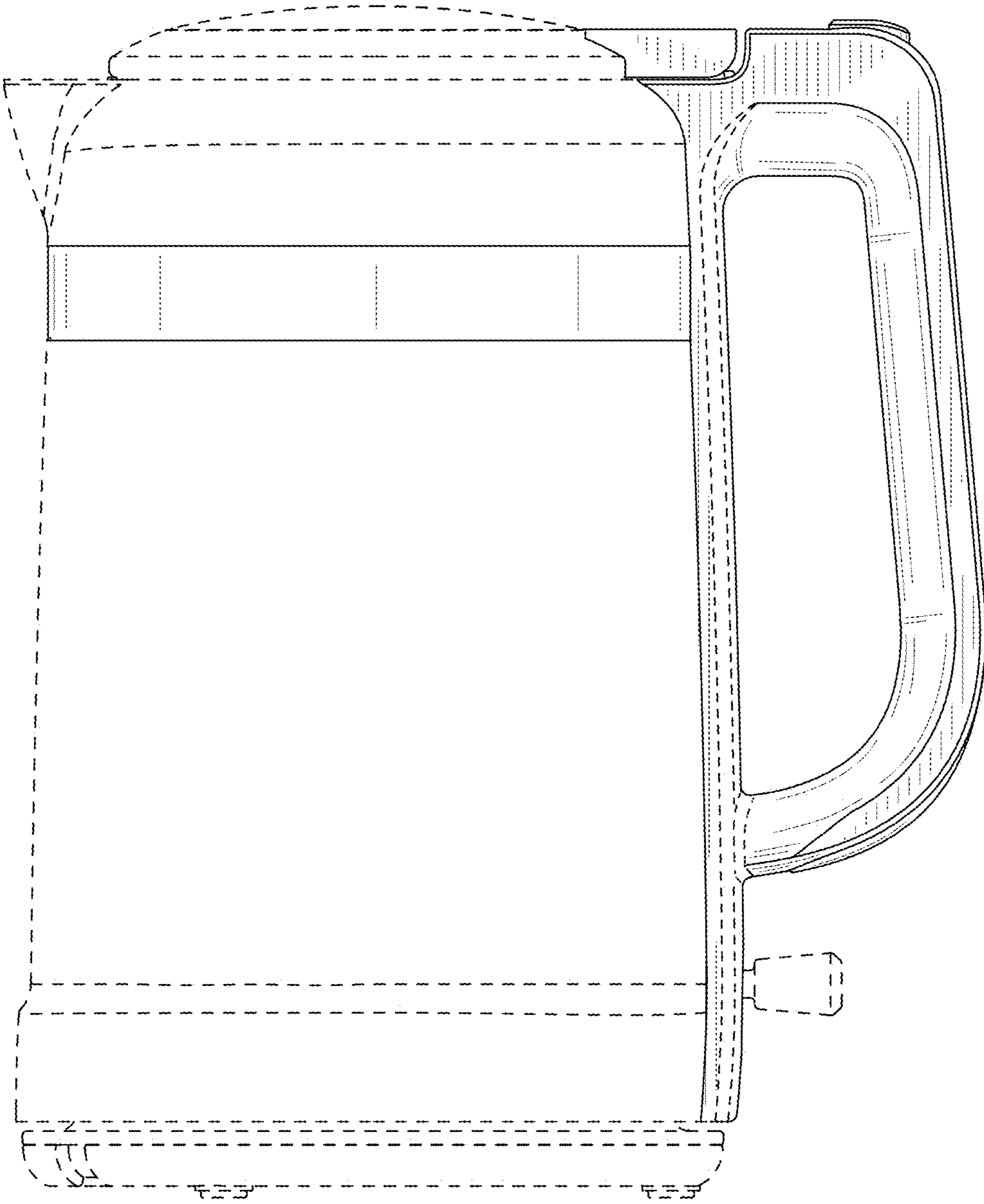


FIG. 6

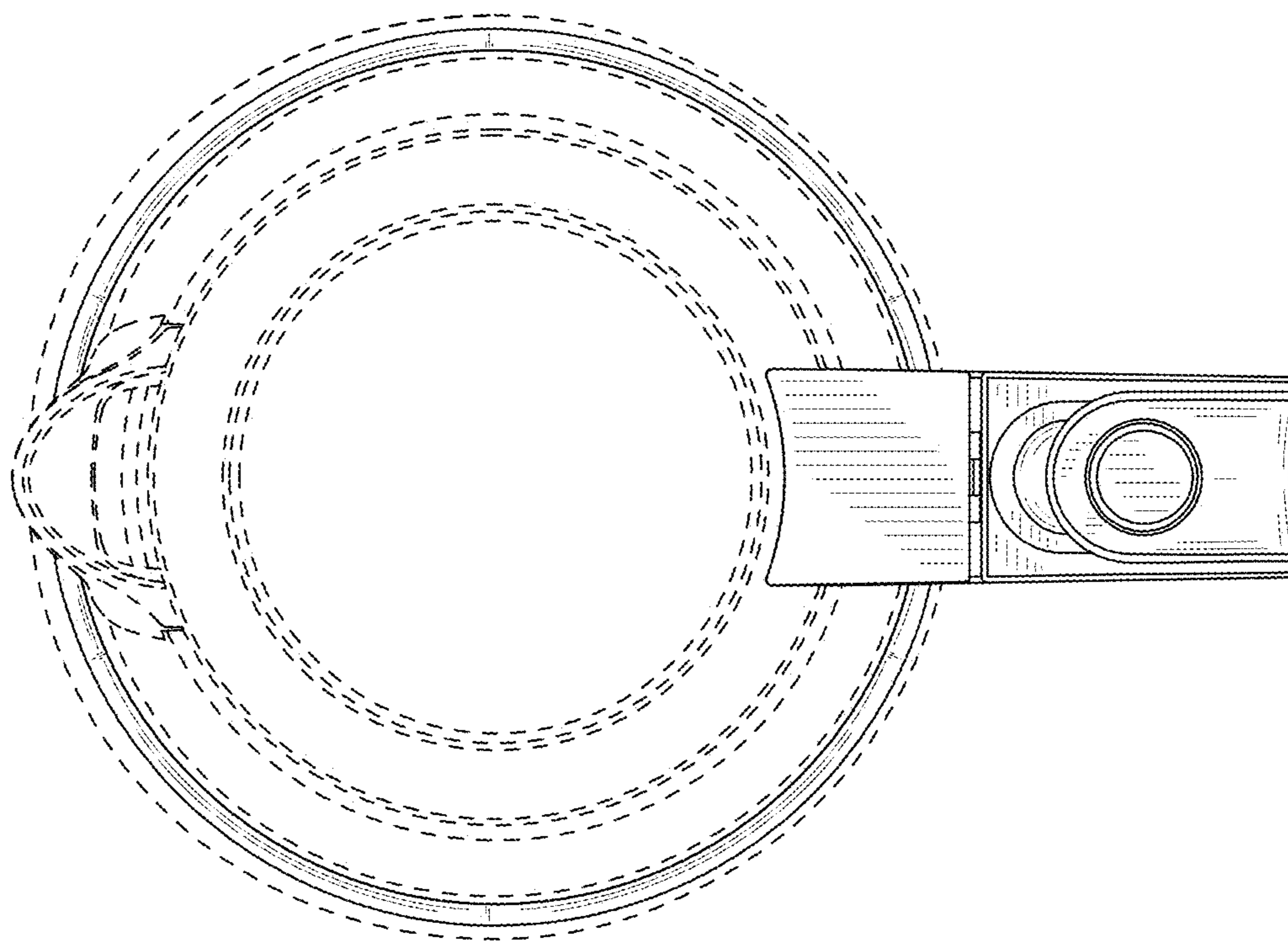


FIG. 7

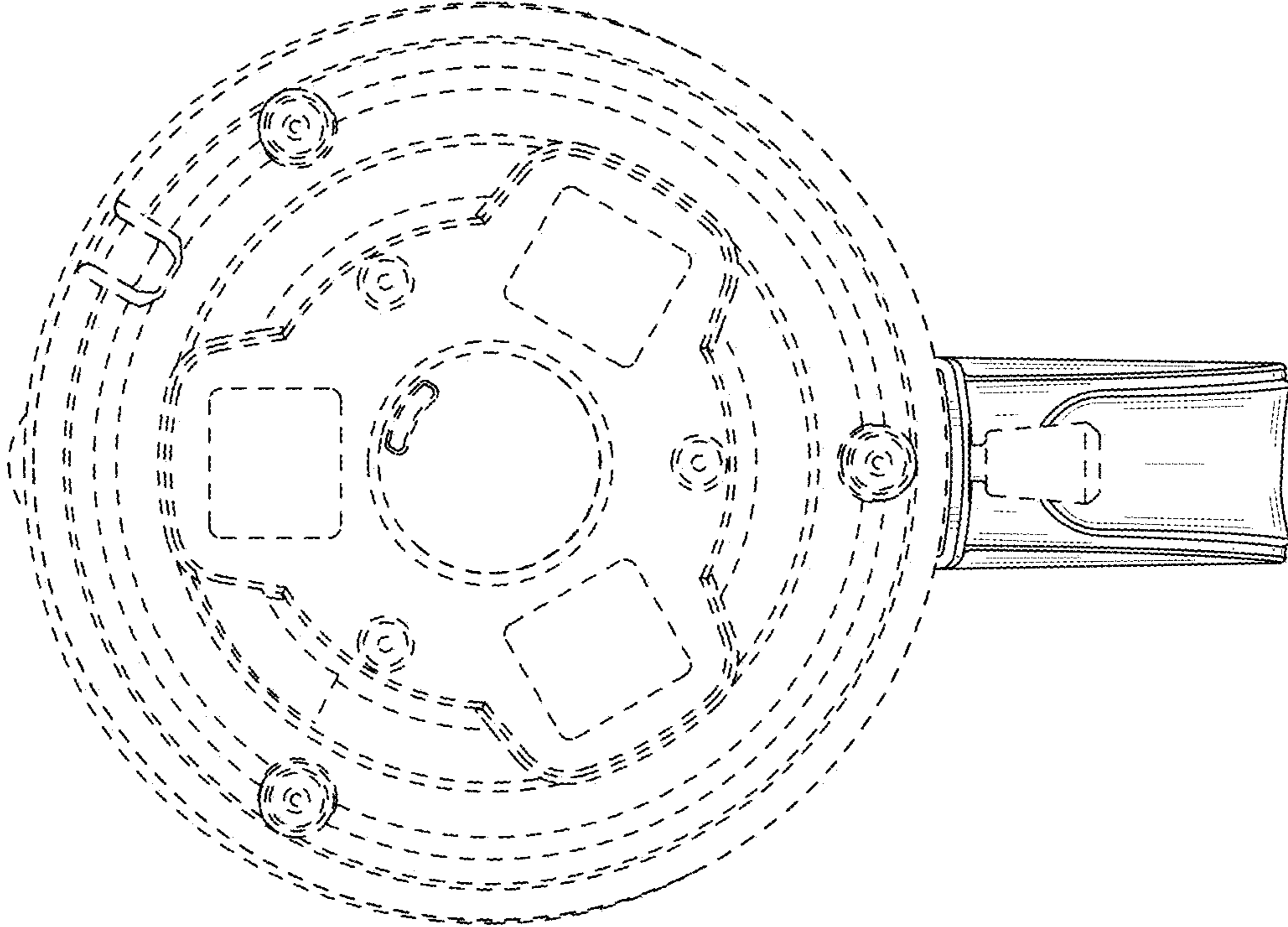


FIG. 8