



US00D873069S

(12) **United States Design Patent**
Cottam et al.

(10) **Patent No.:** **US D873,069 S**

(45) **Date of Patent:** **** Jan. 21, 2020**

(54) **MIXER BOWL**

(71) Applicants: **Steven Cottam**, Ivins, UT (US); **Phillip Dietz**, Saint George, UT (US)

(72) Inventors: **Steven Cottam**, Ivins, UT (US); **Phillip Dietz**, Saint George, UT (US)

(**) Term: **15 Years**

(21) Appl. No.: **29/597,099**

(22) Filed: **Mar. 14, 2017**

(51) **LOC (12) Cl.** **31-00**

(52) **U.S. Cl.**
USPC **D7/379**

(58) **Field of Classification Search**

USPC D7/372-379, 381-385, 412-414, 505,
D7/543, 602, 629, 665-666, 669, 679,
D7/693-694

CPC A21C 1/02; A21C 1/04; A23N 1/00; A23N
1/02; A47G 19/22; A47J 43/04; A47J
43/25; A47J 43/27; A47J 43/042

See application file for complete search history.

(56) **References Cited**

U.S. PATENT DOCUMENTS

D306,389 S * 3/1990 Nasui D7/354
D315,657 S * 3/1991 Ruttimann D7/384

D405,561 S * 2/1999 Willinger D30/129
D627,607 S * 11/2010 Roth D7/629
D664,393 S * 7/2012 Dietz D7/376
D711,677 S * 8/2014 McPherson D7/354
D806,482 S * 1/2018 Pallotto D7/602
D816,407 S * 5/2018 Cottam B02C 7/08
D7/412

* cited by examiner

Primary Examiner — Sandra S Snapp

Assistant Examiner — Mehri F Bajoul

(74) *Attorney, Agent, or Firm* — Zachary D. Renstrom

(57) **CLAIM**

The ornamental design for a mixer bowl, as shown and described.

DESCRIPTION

FIG. 1 is a left, front perspective view of a mixer bowl showing our new design;

FIG. 2 is a left side elevation view thereof;

FIG. 3 is a front elevation view thereof;

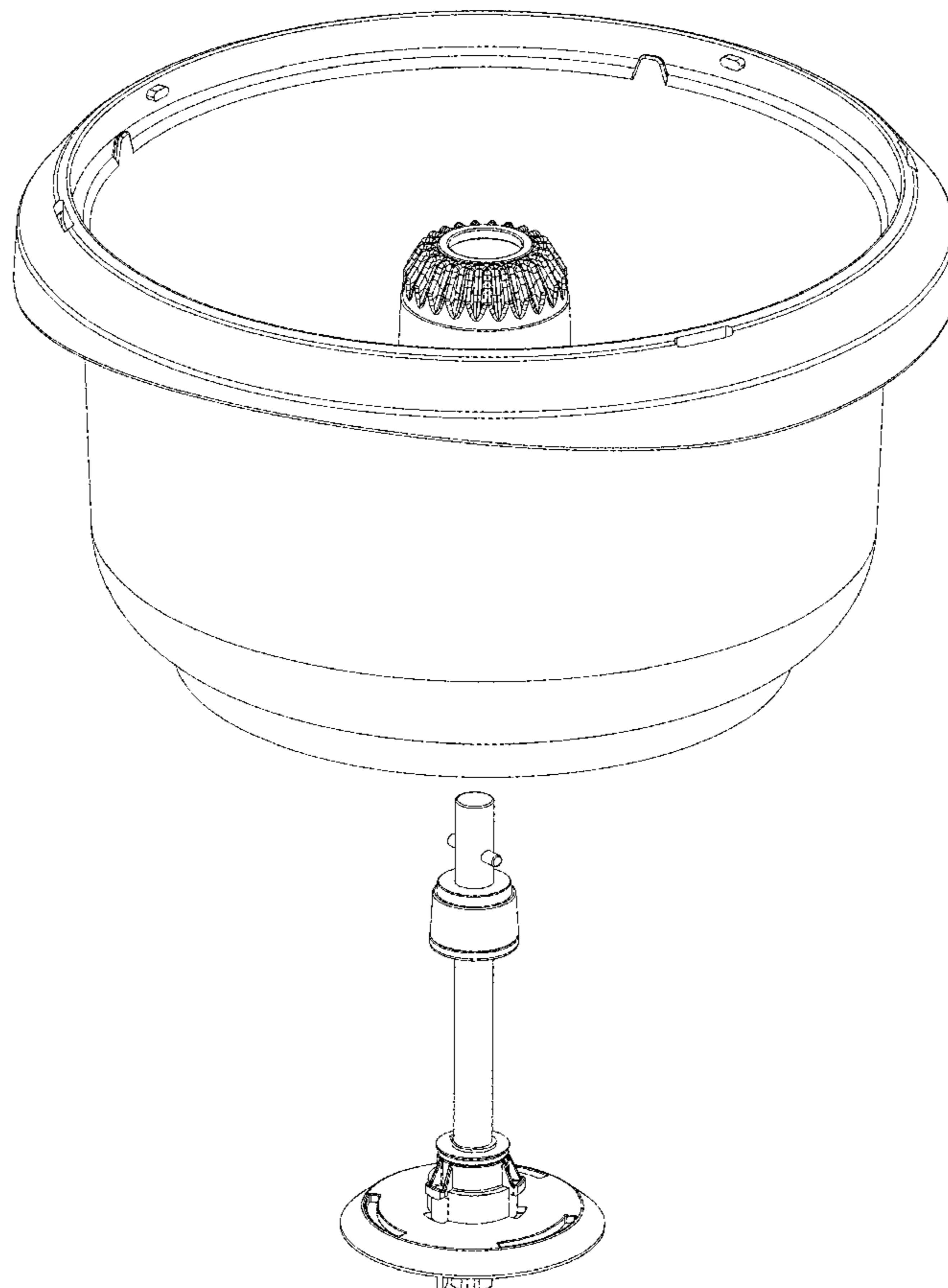
FIG. 4 is a top plan view thereof;

FIG. 5 is a bottom plan view thereof;

FIG. 6 is a front, bottom perspective view thereof; and,

FIG. 7 is an exploded left, front perspective view of the mixer bowl with the center shaft removed from the bowl.

1 Claim, 6 Drawing Sheets



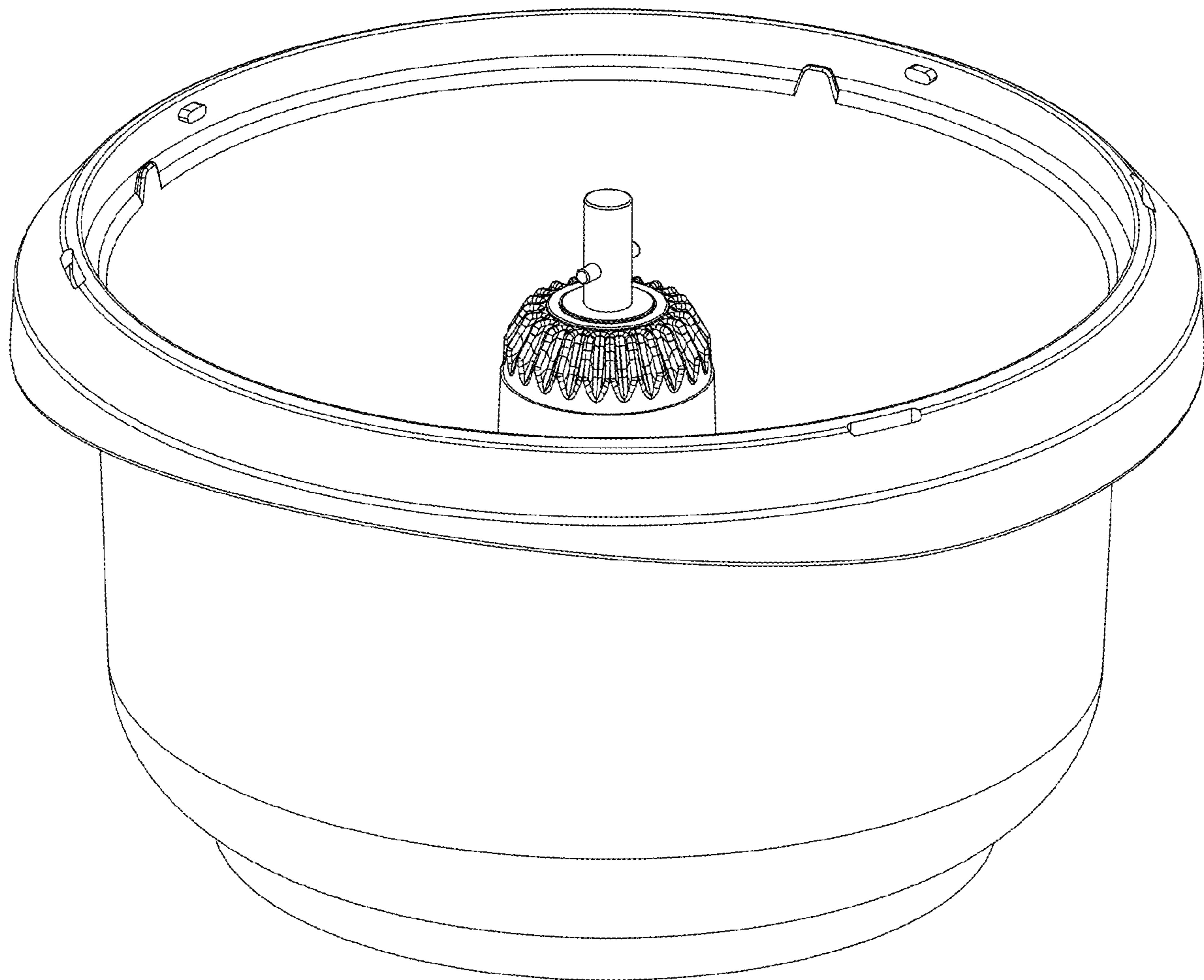


FIG. 1

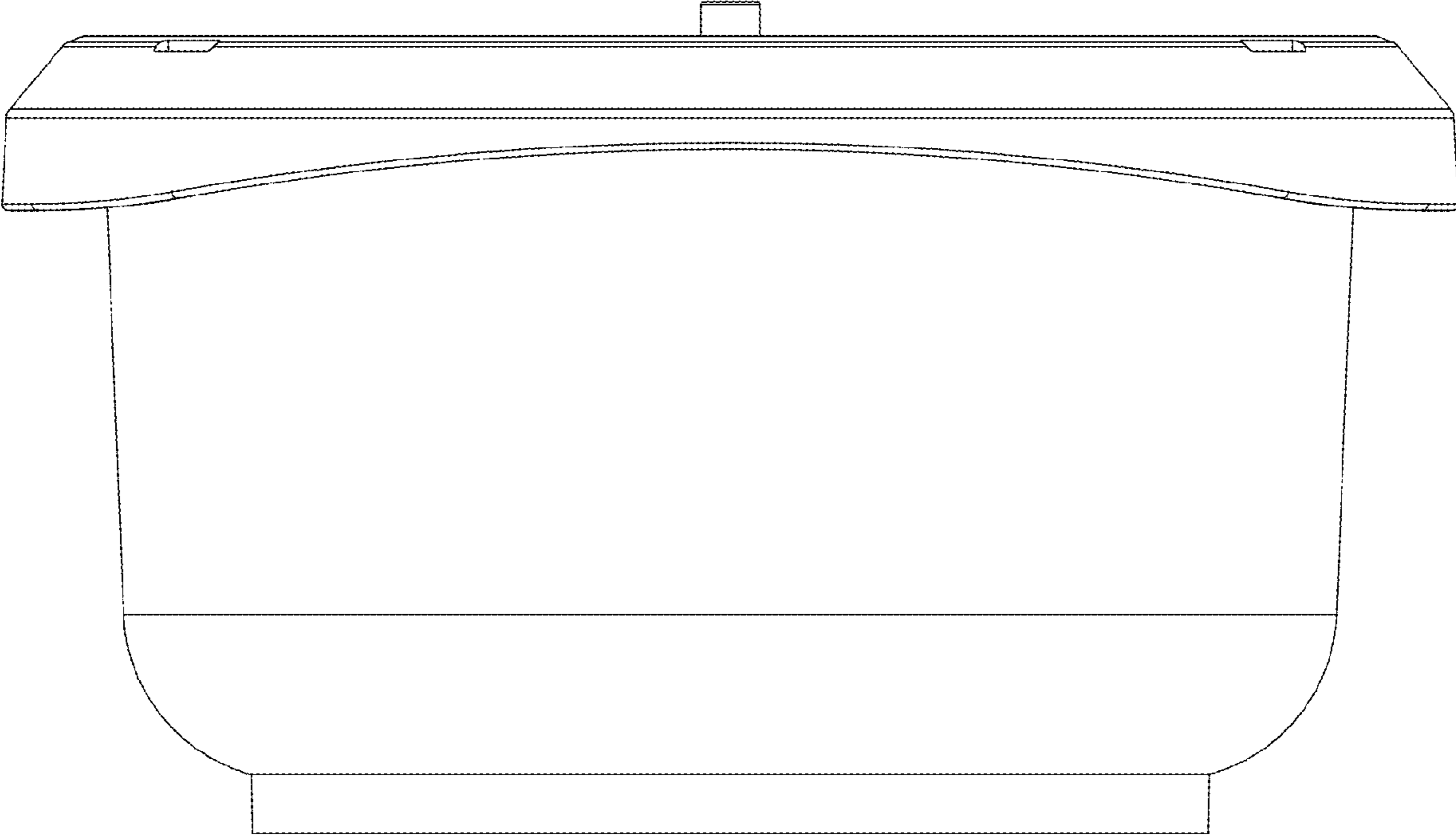


FIG. 2

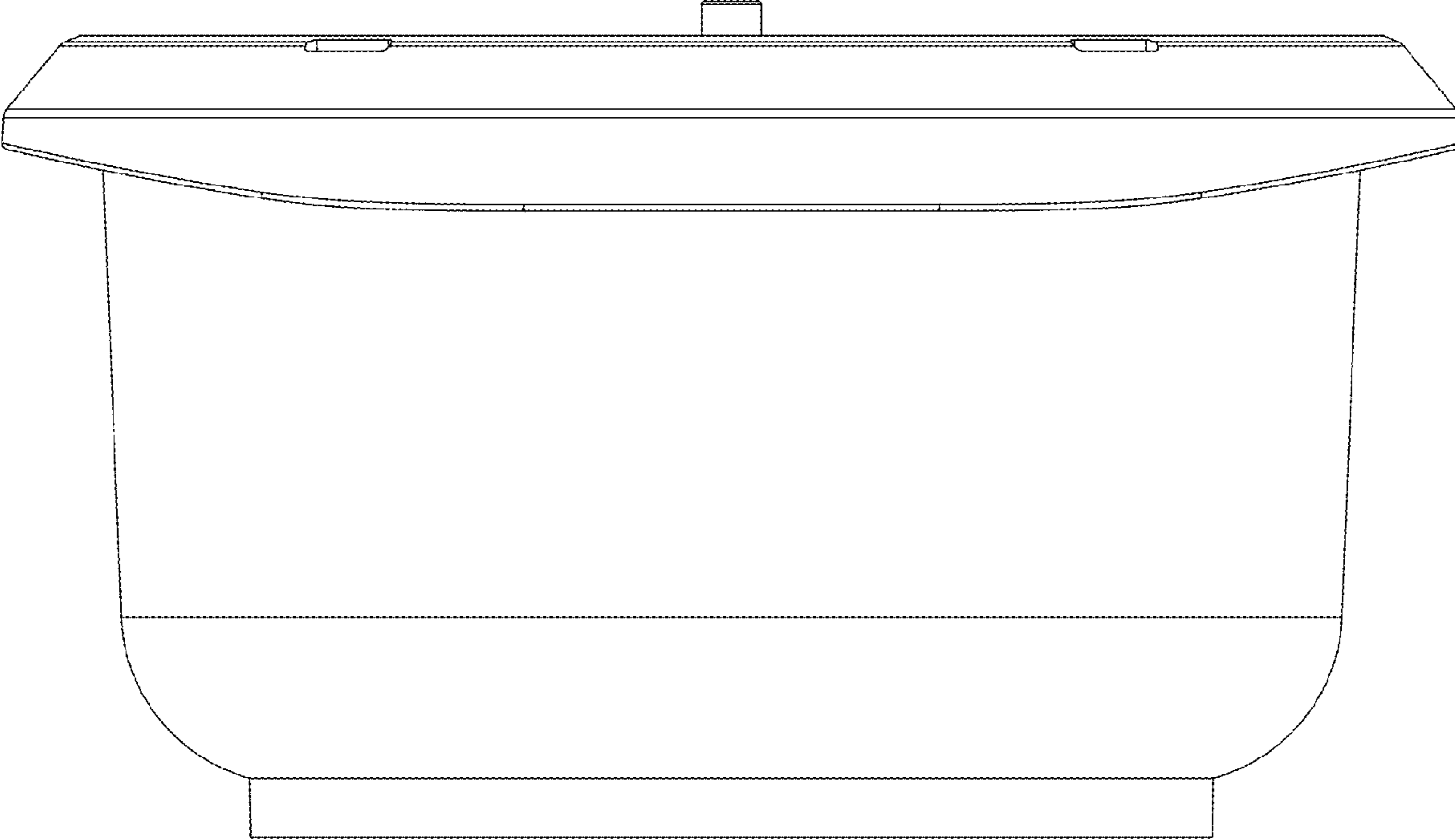


FIG. 3

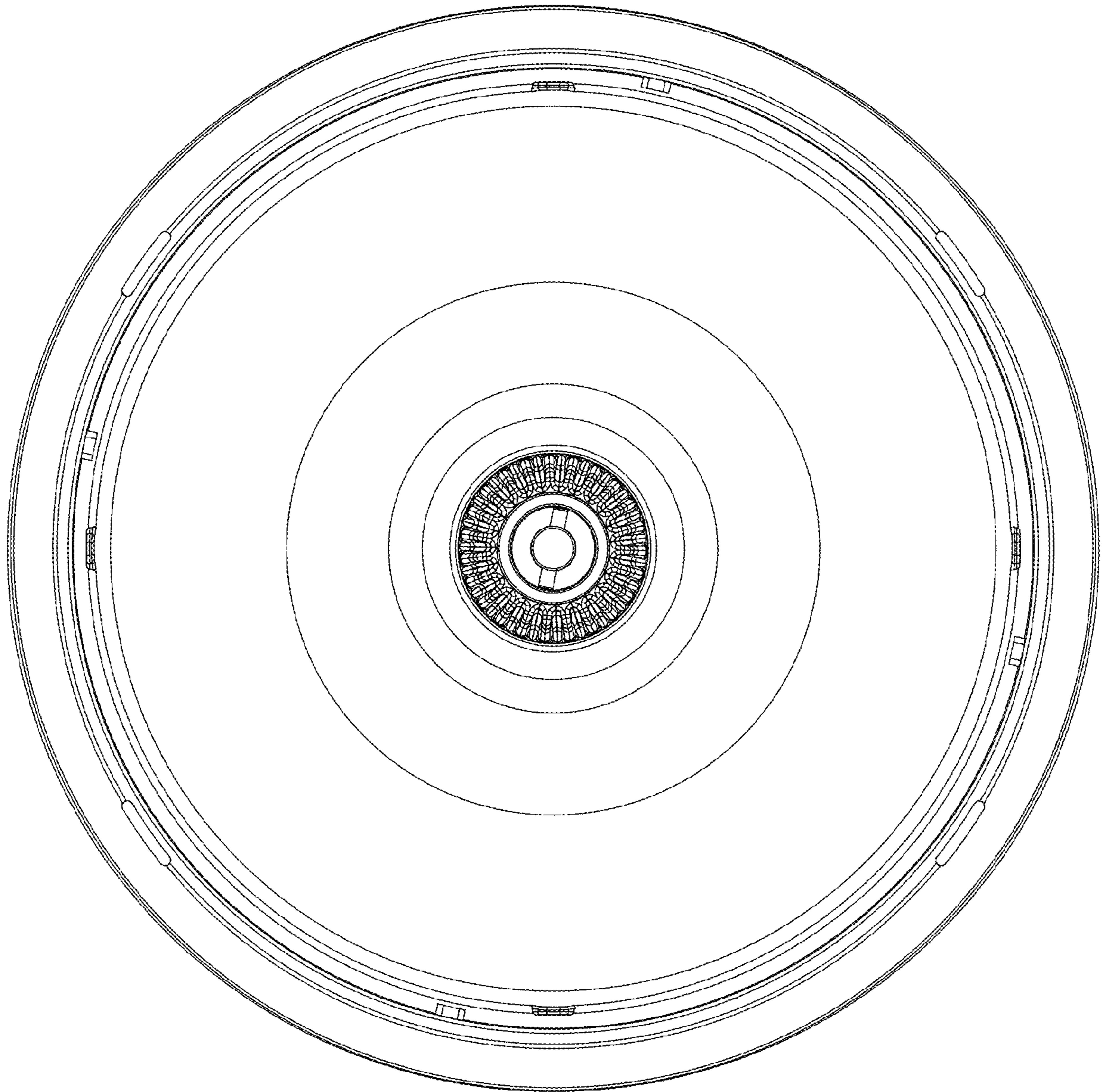


FIG. 4

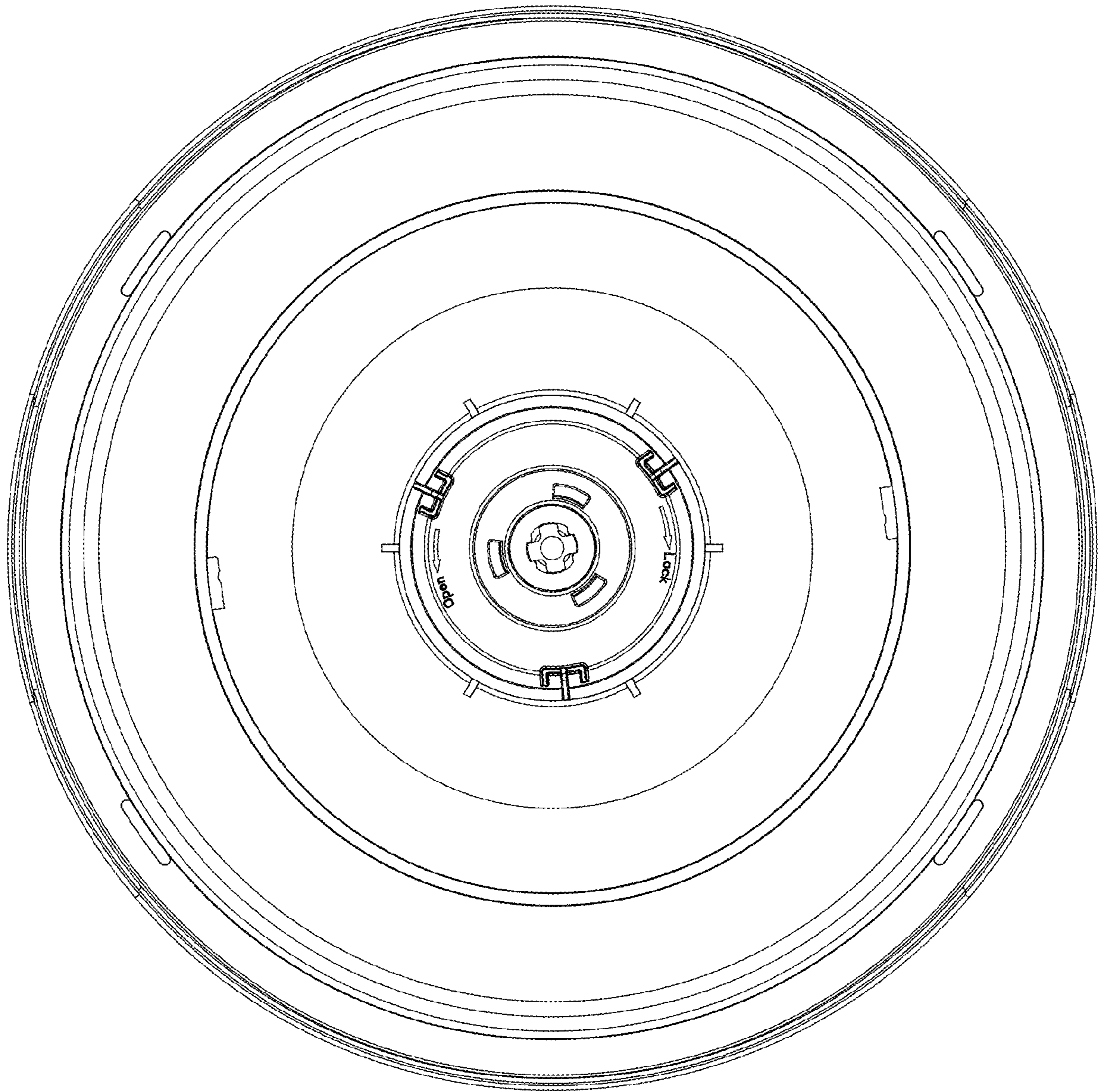


FIG. 5

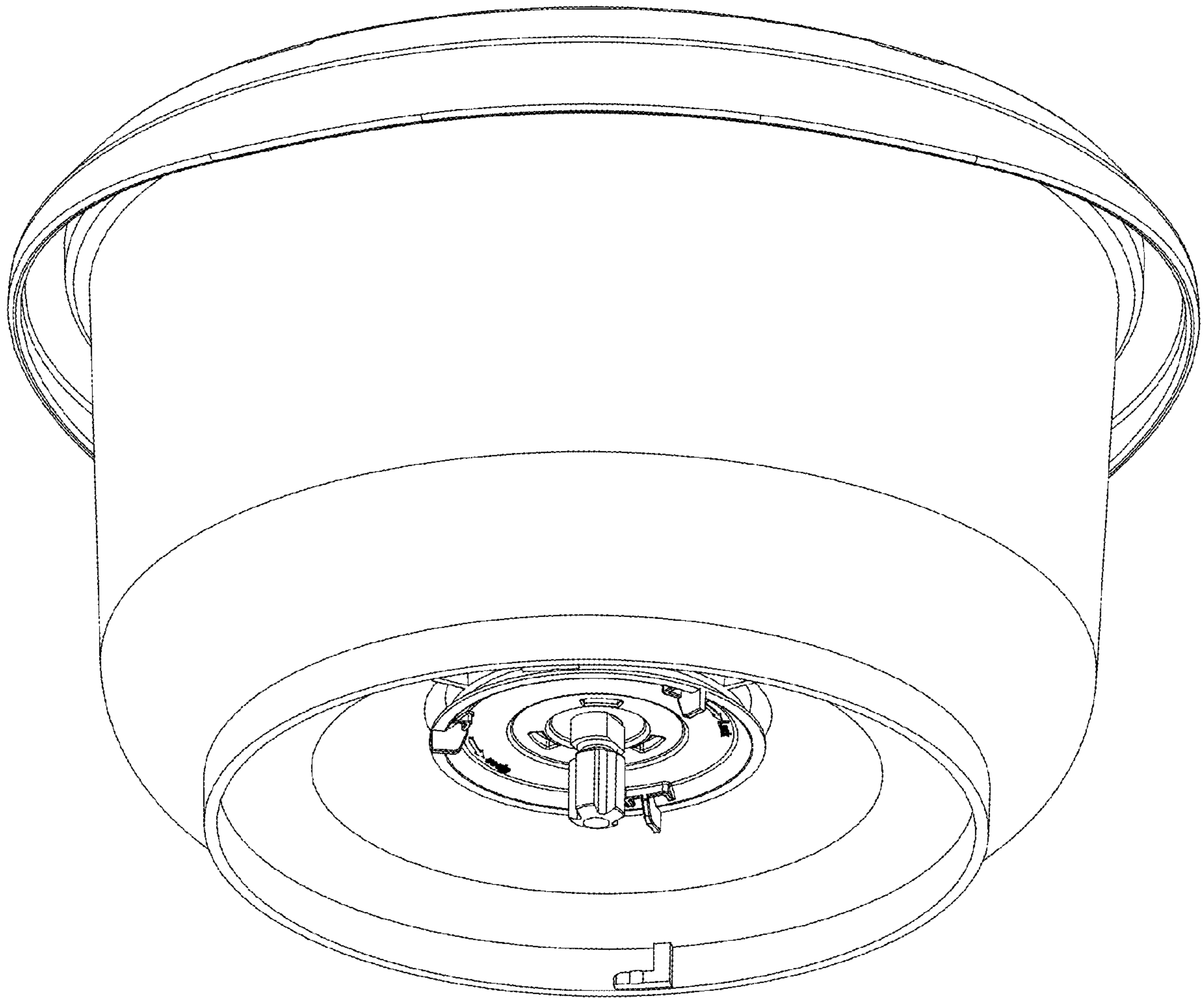


FIG. 6

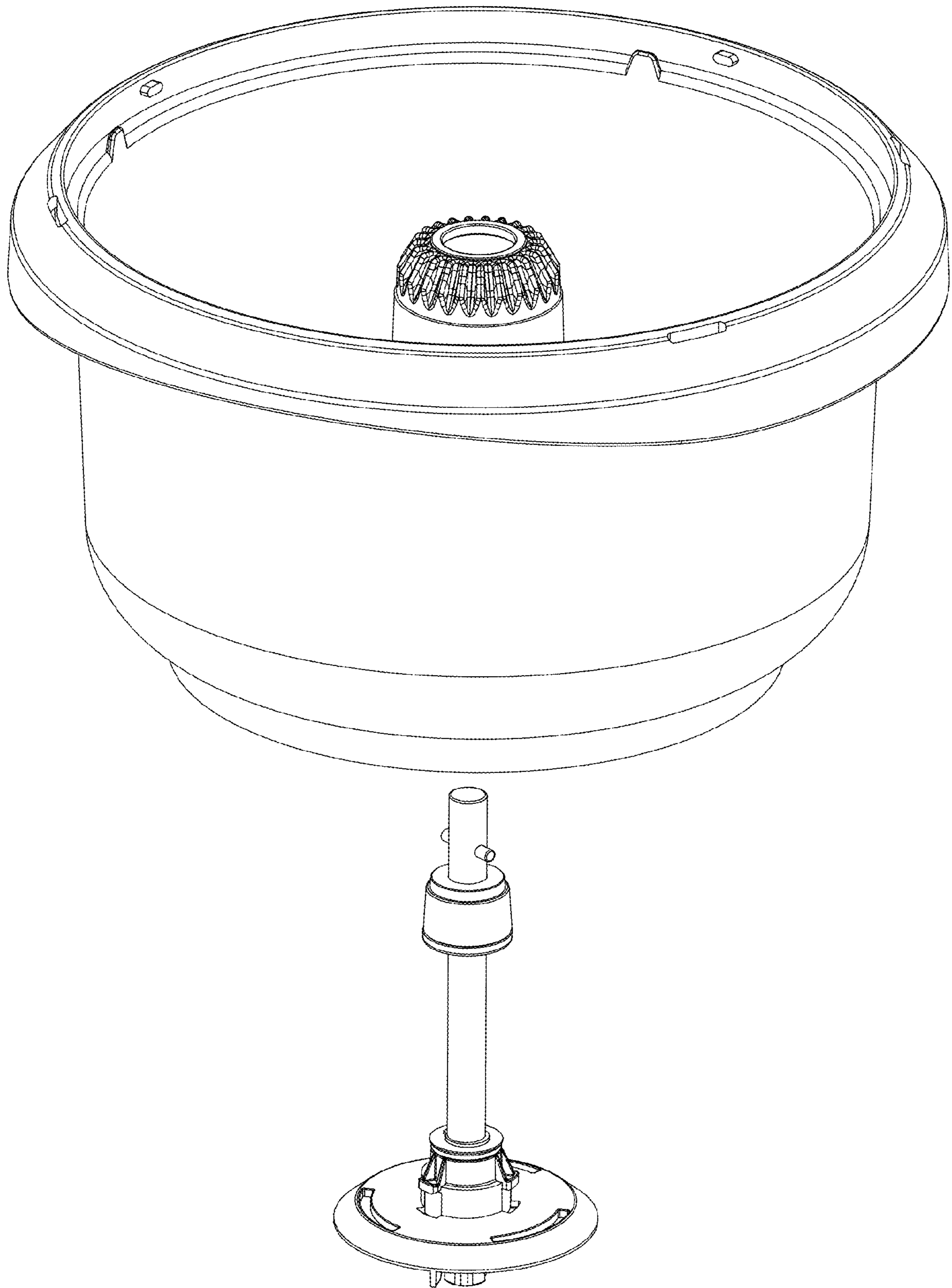


FIG. 7