



US00D873065S

(12) **United States Design Patent** (10) **Patent No.:** **US D873,065 S**  
**Sağirosmanoğlu et al.** (45) **Date of Patent:** **\*\* Jan. 21, 2020**

(54) **TOAST MACHINE**  
(71) Applicant: **Arçelik Anonim Sirketi**, Tuzla, Istanbul (TR)  
(72) Inventors: **Doğaç Can Sağirosmanoğlu**, Istanbul (TR); **Tamer Yüksek**, Istanbul (TR); **Özlem Kök**, Istanbul (TR); **Can Onur Vanci**, Istanbul (TR); **Ece Çınar**, Istanbul (TR); **Asli Ökmen**, Istanbul (TR); **Gizem Durakoğlu**, Istanbul (TR); **Nihat Duran**, Istanbul (TR)  
(73) Assignee: **Arçelik Anonim Sirketi**, Istanbul (TR)  
(\*\*) Term: **15 Years**  
(21) Appl. No.: **29/646,450**  
(22) Filed: **May 4, 2018**

D528,350 S \* 9/2006 McHutchison ..... D7/352  
D581,202 S \* 11/2008 Tetreault ..... D7/352  
D591,550 S \* 5/2009 Lam ..... D7/337  
D632,126 S \* 2/2011 Tetreault ..... D7/352  
D634,969 S \* 3/2011 De' Longhi ..... D7/352  
D644,477 S \* 9/2011 Burton ..... D7/352  
D811,155 S \* 2/2018 De' Longhi ..... D7/352  
D817,695 S \* 5/2018 Liu ..... D7/352  
D824,199 S \* 7/2018 Liu ..... D7/352  
D825,976 S \* 8/2018 Liang ..... D7/352  
2007/0017384 A1\* 1/2007 Serra ..... A47J 37/0611  
99/372  
2010/0319550 A1\* 12/2010 Wu ..... A47J 37/0611  
99/380  
2017/0181573 A1\* 6/2017 Altenritter ..... A47J 37/0611  
2017/0367531 A1\* 12/2017 Yan ..... A47J 37/0611  
2018/0209776 A1\* 7/2018 Sun ..... G01B 7/30

\* cited by examiner

*Primary Examiner* — Brett Miller  
(74) *Attorney, Agent, or Firm* — Fox Rothschild LLP

(30) **Foreign Application Priority Data**  
Nov. 23, 2017 (EM) ..... 004518256  
(51) **LOC (12) Cl.** ..... **07-02**  
(52) **U.S. Cl.**  
USPC ..... **D7/352**  
(58) **Field of Classification Search**  
USPC ..... D7/332-337, 352-356, 358, 362-364, D7/366; 126/25 R  
CPC ..... A47J 33/00; A47J 37/07; A47J 37/0704; A47J 37/0713; A47J 37/0763; A47J 37/0786; A47J 2037/0777; A47J 37/0611; A47J 37/067-0682; F24C 3/14; F24B 1/202  
See application file for complete search history.

(56) **References Cited**  
U.S. PATENT DOCUMENTS  
D439,796 S \* 4/2001 Edwards ..... D7/352  
D527,941 S \* 9/2006 Serra ..... D7/352

(57) **CLAIM**  
The ornamental design for a toast machine, as shown and described.

**DESCRIPTION**  
FIG. 1 is a front, top perspective view of a toast machine showing our new design;  
FIG. 2 is a rear, top perspective view thereof;  
FIG. 3 is a front elevation view thereof;  
FIG. 4 is a rear elevation view thereof;  
FIG. 5 is a top plan view thereof;  
FIG. 6 is a bottom plan view thereof;  
FIG. 7 is a left side elevation view thereof; and,  
FIG. 8 is a right side elevation view thereof.  
The broken lines depict portions of the toast machine that form no part of the claim.

**1 Claim, 5 Drawing Sheets**

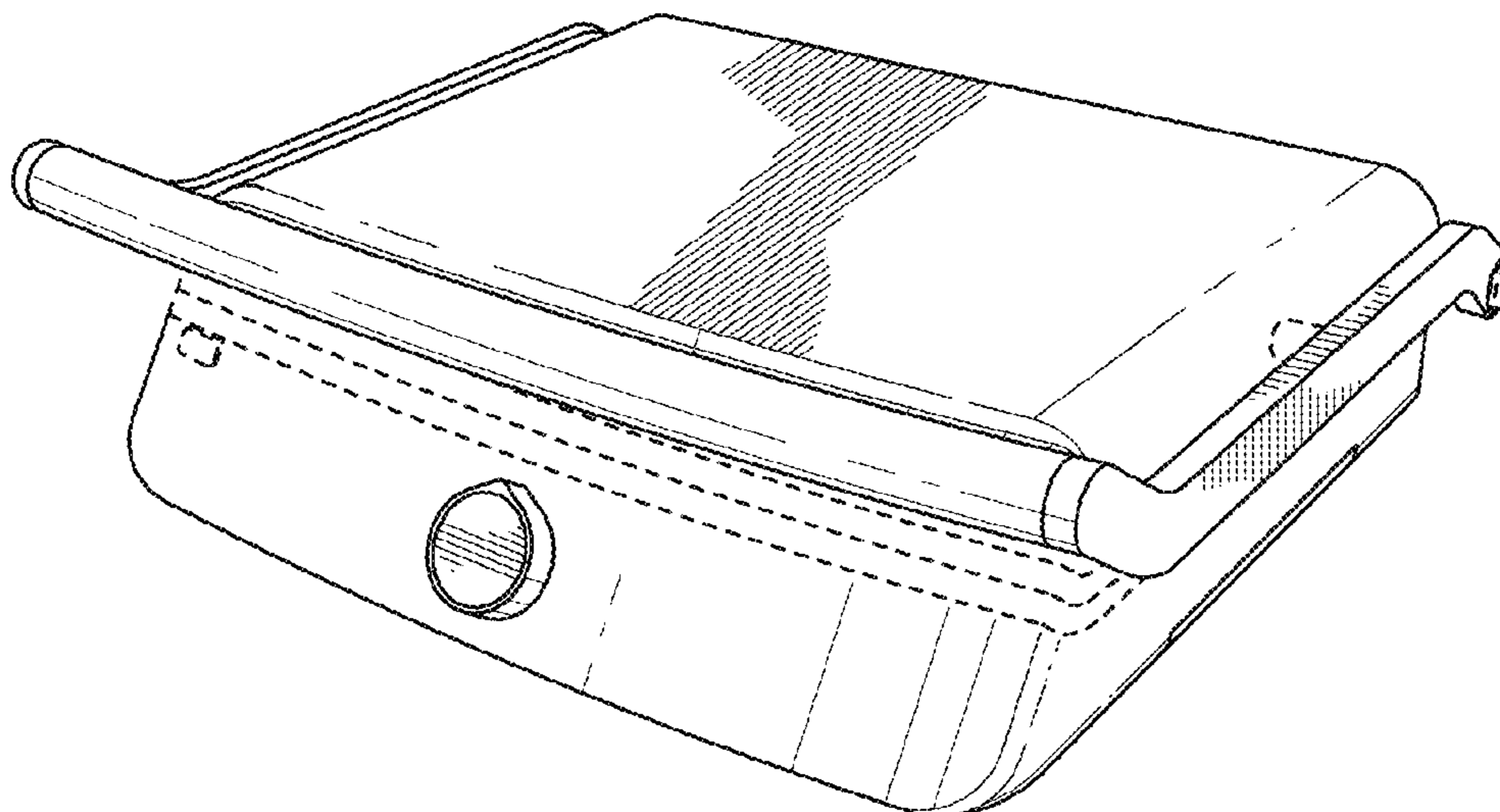


FIG. 1

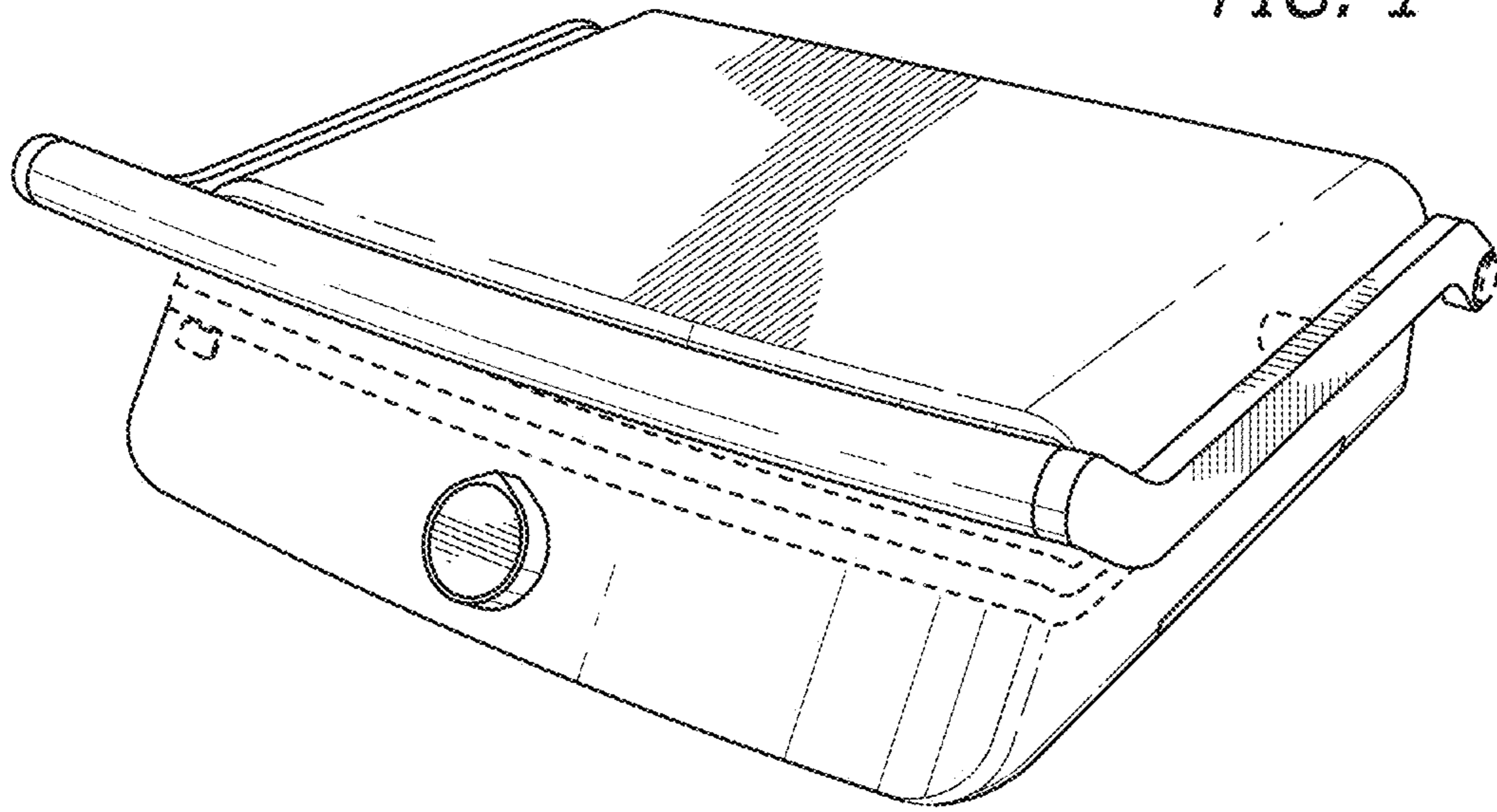
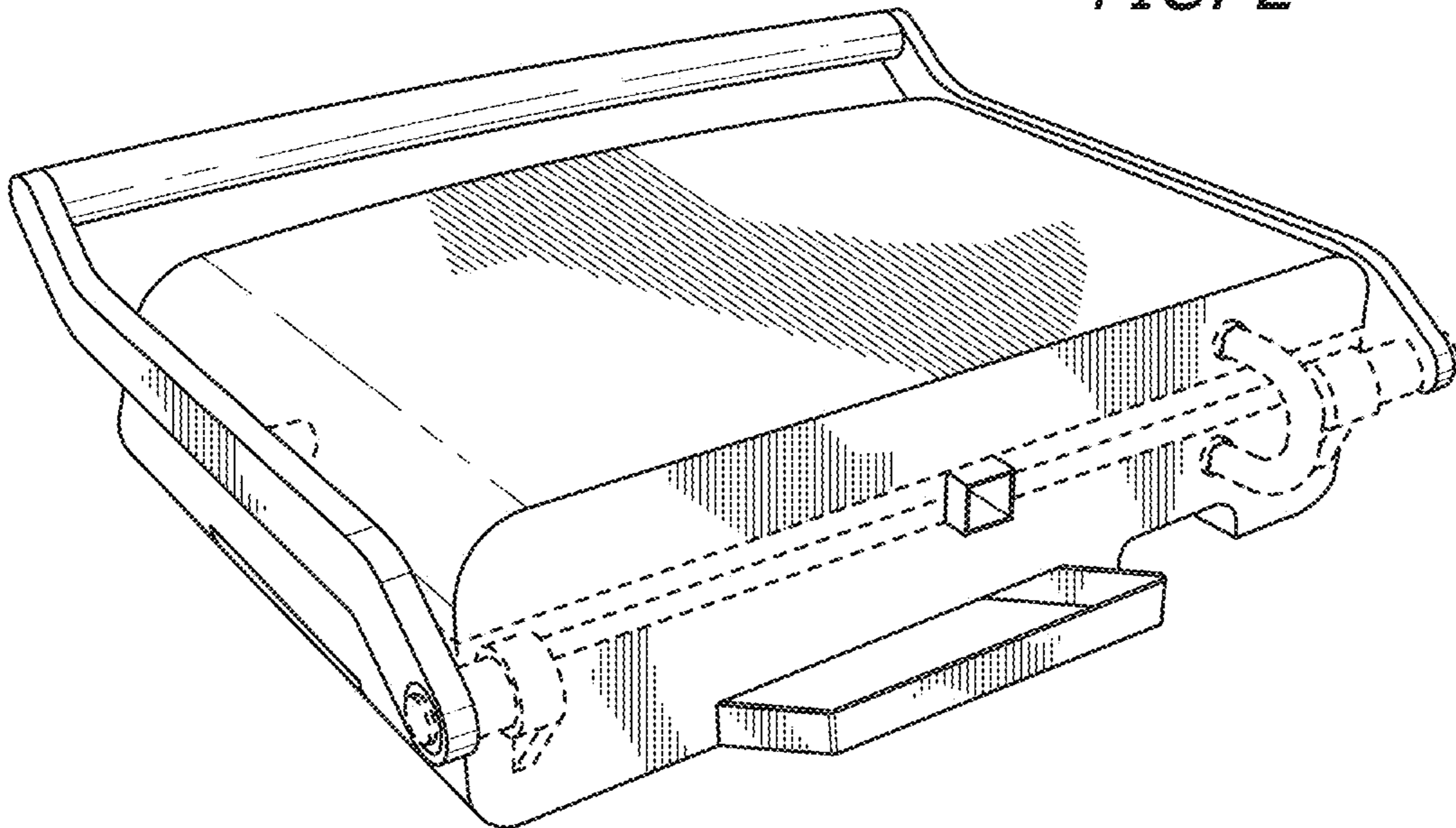


FIG. 2



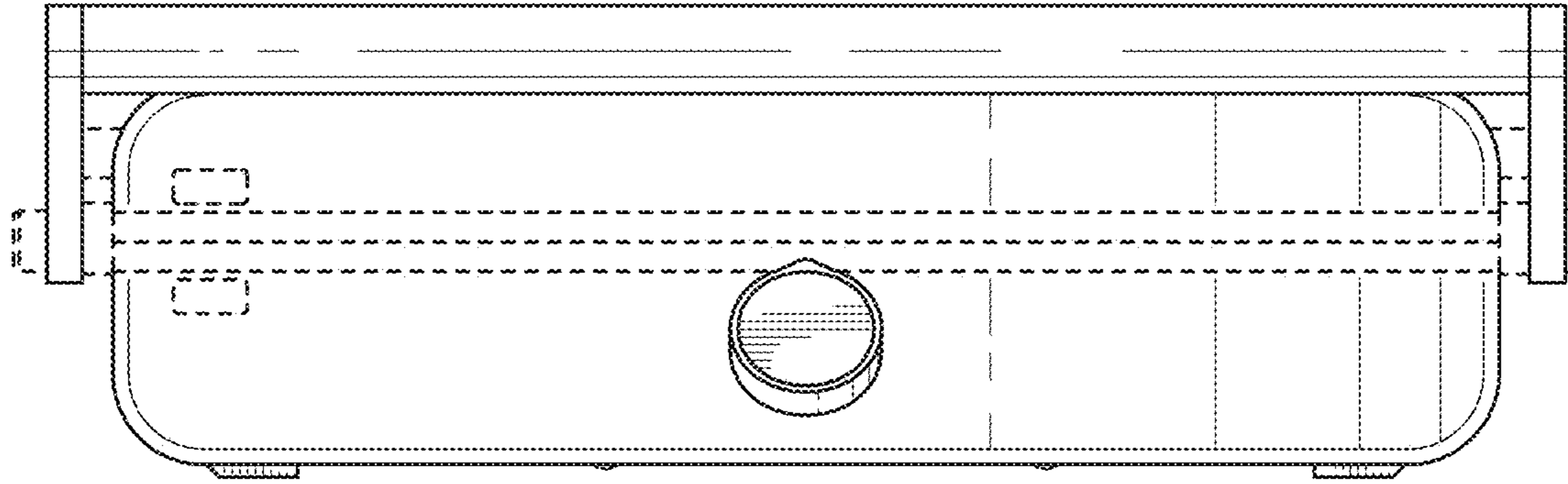


FIG. 3

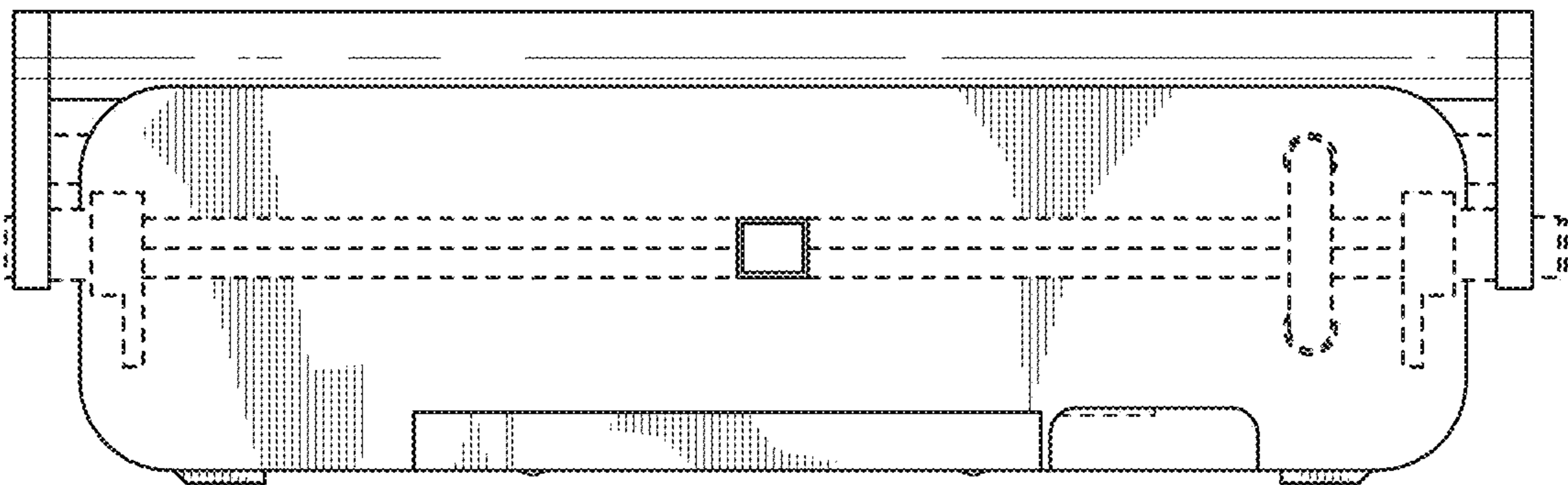


FIG. 4

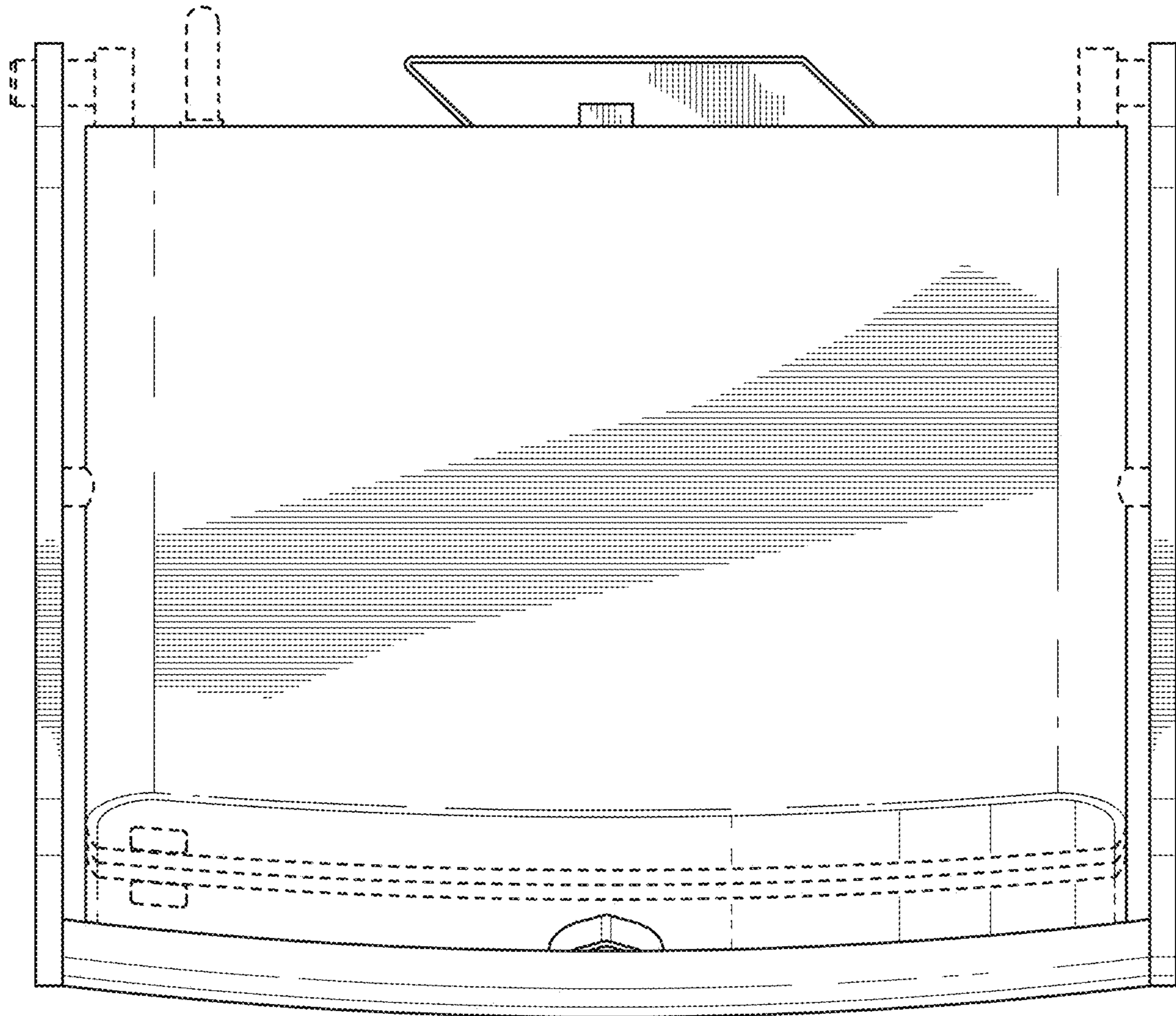


FIG. 5

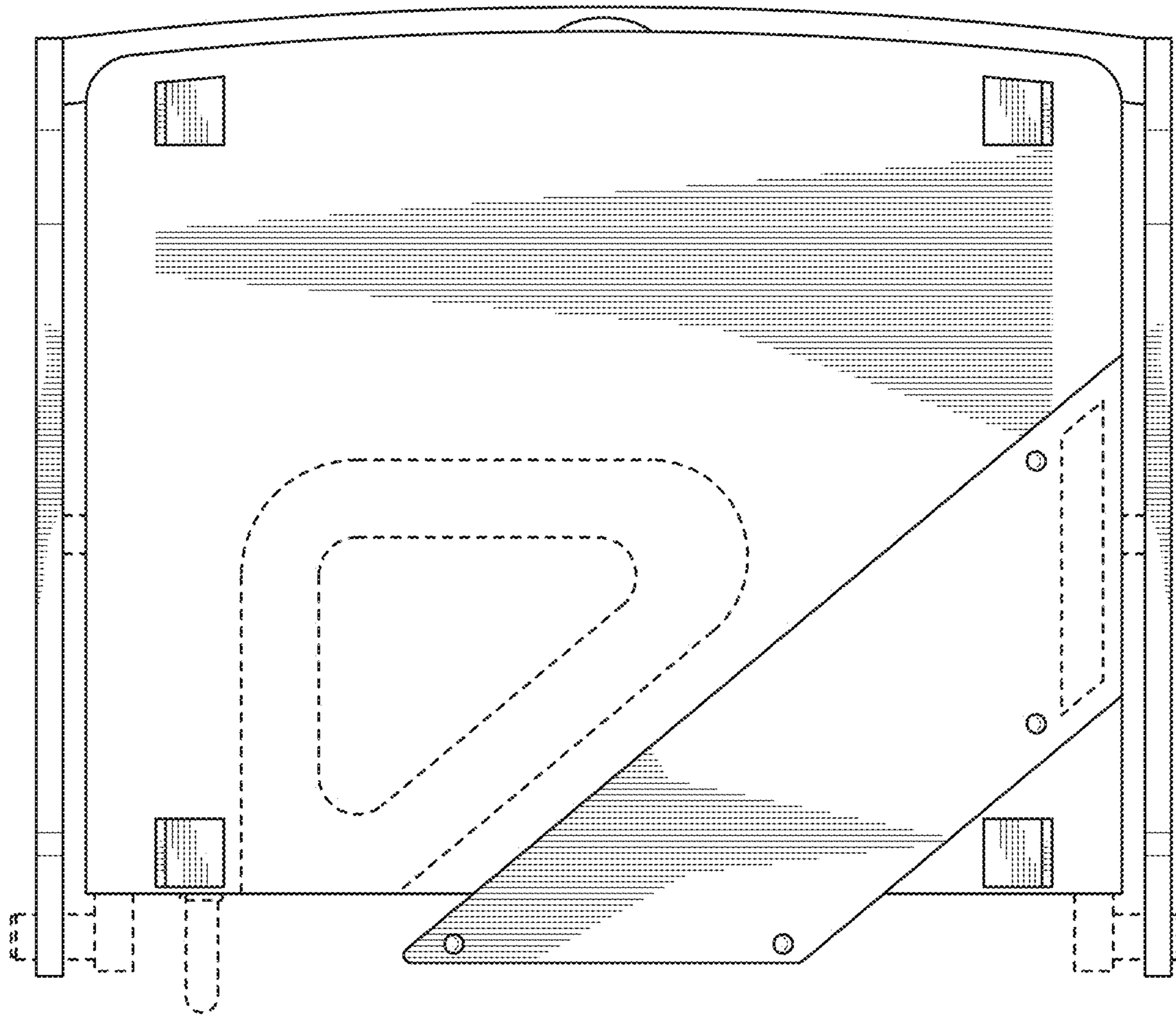


FIG. 6

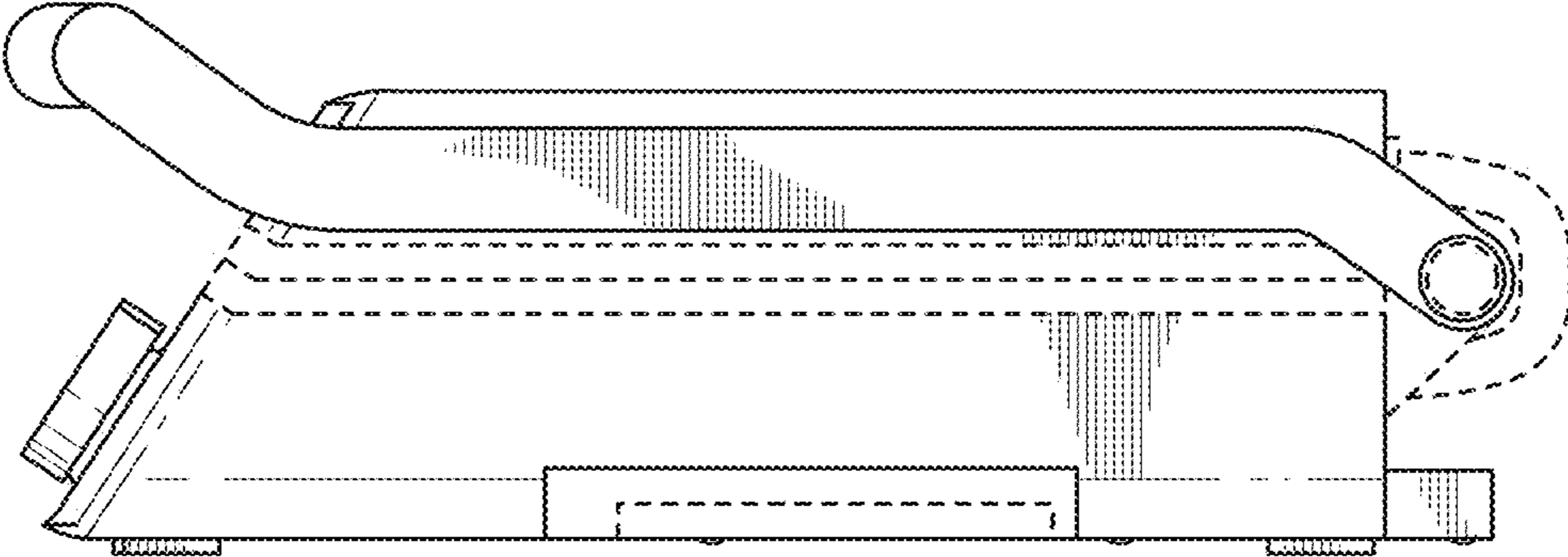


FIG. 7

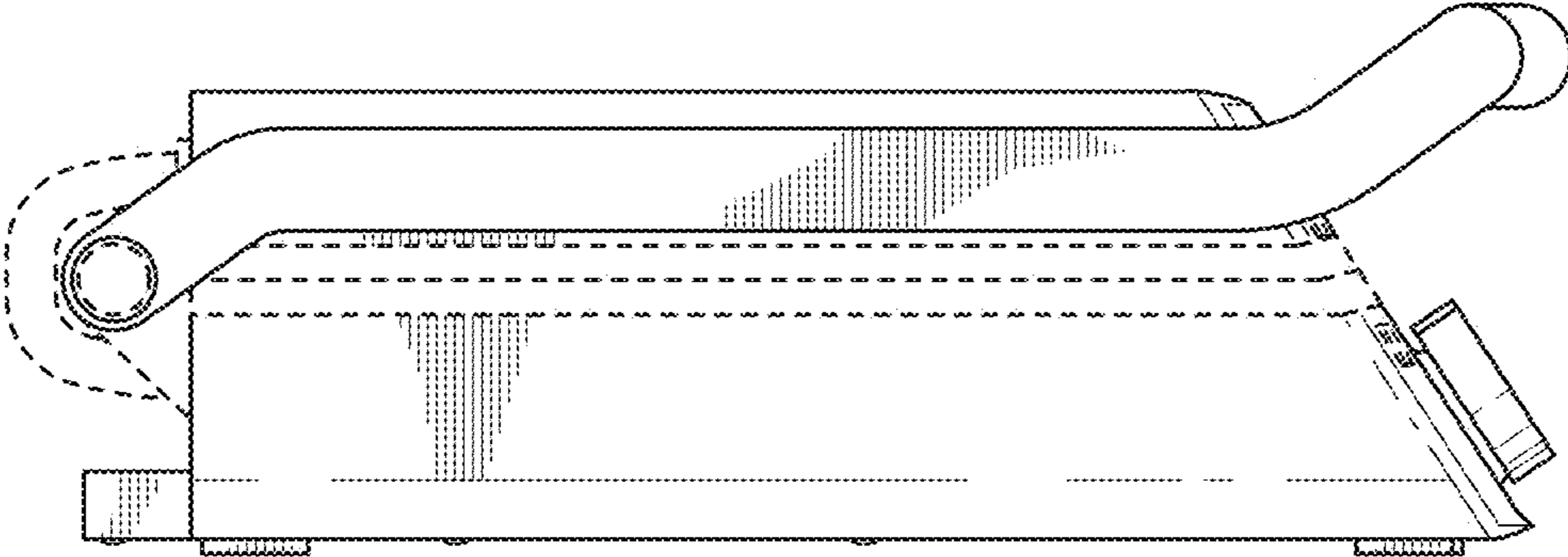


FIG. 8