



US00D873064S

(12) **United States Design Patent**  
**Kim et al.**

(10) **Patent No.:** **US D873,064 S**  
(45) **Date of Patent:** **\*\* Jan. 21, 2020**

(54) **MICROWAVE**

(71) Applicant: **Samsung Electronics Co., Ltd.**,  
Suwon-si (KR)

(72) Inventors: **Jaejun Kim**, Seoul (KR); **Jichang Kang**, Seoul (KR)

(73) Assignee: **Samsung Electronics Co., Ltd.**,  
Suwon-si (KR)

(\*\*) Term: **15 Years**

(21) Appl. No.: **29/622,746**

(22) Filed: **Oct. 19, 2017**

(30) **Foreign Application Priority Data**

Jun. 19, 2017 (KR) ..... 30-2017-0028184

(51) **LOC (12) Cl.** ..... **07-02**

(52) **U.S. Cl.**  
USPC ..... **D7/351**

(58) **Field of Classification Search**  
USPC ..... D7/323, 331, 334, 338, 339, 340, 347,  
D7/348, 350.1, 350.3, 350.4, 351, 362,  
D7/363, 364, 365, 341, 346, 402-407;  
D23/314, 322, 323, 329, 330, 341;  
D99/28, 43  
CPC . H05B 6/12; H05B 6/64; H05B 6/806; H05B  
6/6426; H05B 6/6412; A21B 1/52; A21B  
1/00; A47J 37/00; A47J 37/0763; A47J  
37/36; F24C 15/08; F27D 9/00; F27D  
2009/0018; F27D 2009/004; F27B  
2014/0837; F23D 14/02  
See application file for complete search history.

(56) **References Cited**

**U.S. PATENT DOCUMENTS**

112,846 A \* 3/1871 Phelps ..... F24C 15/08  
126/275 R  
478,211 A \* 7/1892 Bartlett ..... F24C 15/08  
126/275 R

D310,616 S \* 9/1990 Murai ..... D7/351  
D335,064 S \* 4/1993 Sugiyama ..... D7/351  
D433,268 S \* 11/2000 Taira ..... D7/351  
D435,389 S \* 12/2000 Konno ..... D7/351  
D442,018 S \* 5/2001 Kusachi ..... D7/351  
D455,046 S \* 4/2002 Hwang ..... D7/405  
D501,356 S \* 2/2005 Averty ..... D7/350.4  
D607,264 S \* 1/2010 Lee ..... D7/351  
D693,167 S \* 11/2013 Kim ..... D7/351  
D707,074 S \* 6/2014 Shin ..... D7/351

(Continued)

**FOREIGN PATENT DOCUMENTS**

EP 2990733 A2 \* 3/2016 ..... A47J 27/04

**OTHER PUBLICATIONS**

Samsung Microwave: Announced Sep. 20, 2017 [online]. Site Visited [Sep. 20, 2019]. Available from Internet URL: <https://www.samsung.com/us/home-appliances/microwaves/over-the-range/2-1-cu--ft--over-the-range-microwave-in-tuscan-me21r706bat-aa/>.\*

*Primary Examiner* — Jennifer Rivard  
*Assistant Examiner* — Catherine S Posthauer  
(74) *Attorney, Agent, or Firm* — NSIP Law

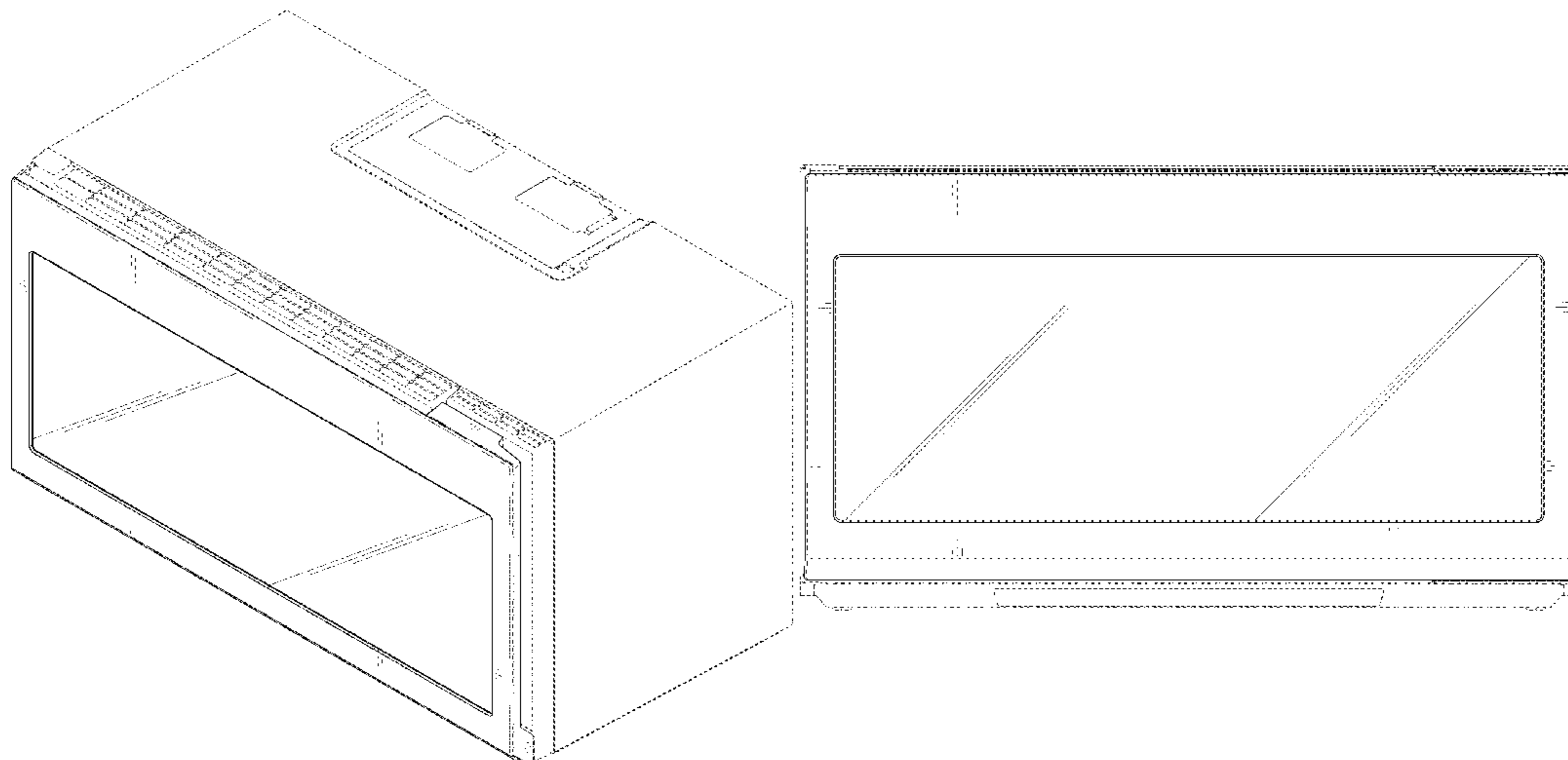
(57) **CLAIM**

We claim the ornamental design for a microwave, as shown and described.

**DESCRIPTION**

FIG. 1 is a front perspective view of a microwave showing our new design;  
FIG. 2 is a front elevational view thereof;  
FIG. 3 is a rear elevational view thereof;  
FIG. 4 is a left-side elevational view thereof;  
FIG. 5 is a right-side elevational view thereof;  
FIG. 6 is a top plan view thereof; and,  
FIG. 7 is a bottom plan view thereof.  
The broken lines in the figures depict environmental subject matter and form no part of the claimed design.

**1 Claim, 4 Drawing Sheets**



(56)

**References Cited**

U.S. PATENT DOCUMENTS

D717,581	S	*	11/2014	Kim	.....	D7/351
D761,620	S	*	7/2016	Kim	.....	D7/405
D773,235	S	*	12/2016	Chung	.....	D7/351
D781,635	S	*	3/2017	Koszylko	.....	D7/348
D781,636	S	*	3/2017	Kim	.....	D7/348
D784,751	S	*	4/2017	Funnell, II	.....	D7/348
D784,752	S	*	4/2017	Funnell, II	.....	D7/348
D805,833	S	*	12/2017	Baacke	.....	D7/348
D836,376	S	*	12/2018	Kim	.....	D7/351
D836,377	S	*	12/2018	Kim	.....	D7/351
D836,378	S	*	12/2018	Kim	.....	D7/351
D842,638	S	*	3/2019	Filinesi	.....	D7/348
D850,183	S	*	6/2019	Seo	.....	D7/351
D859,053	S	*	9/2019	Baacke	.....	D7/339
2019/0113241	A1	*	4/2019	Zhang	.....	F24C 12/2042
2019/0166658	A1	*	5/2019	Zhang	.....	H05B 6/6423

\* cited by examiner

FIG. 1

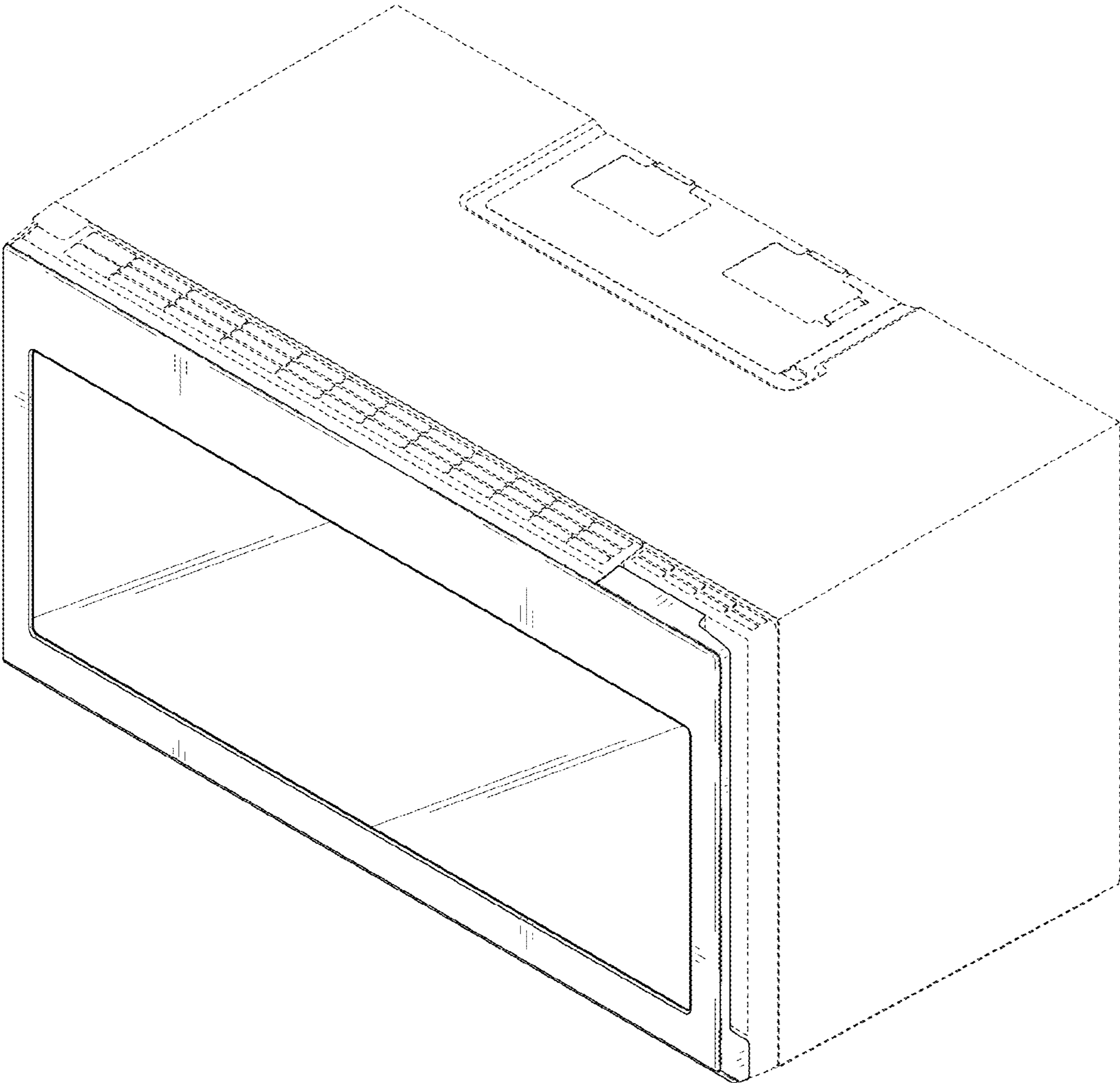


FIG. 2

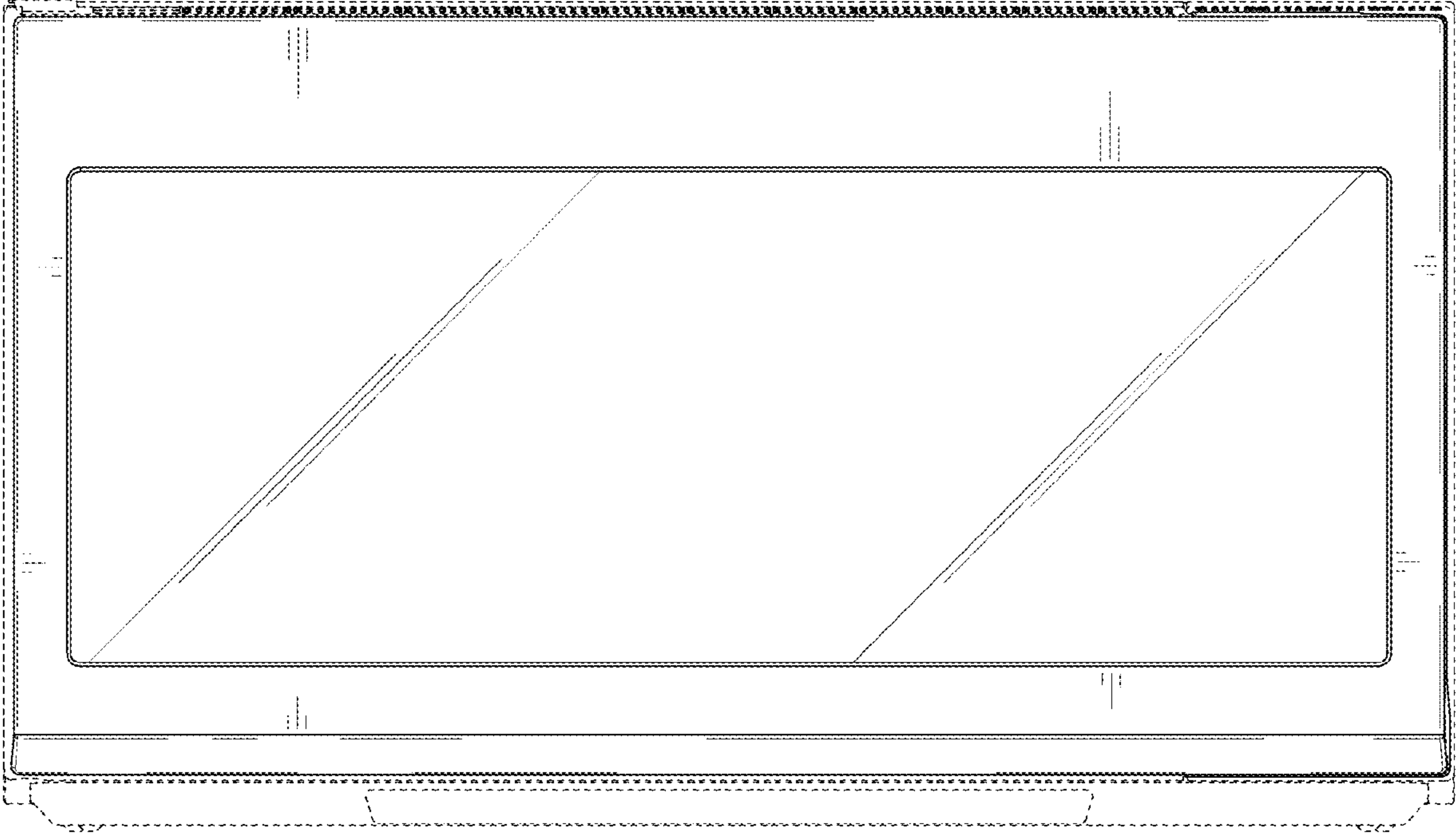


FIG. 3



FIG. 4

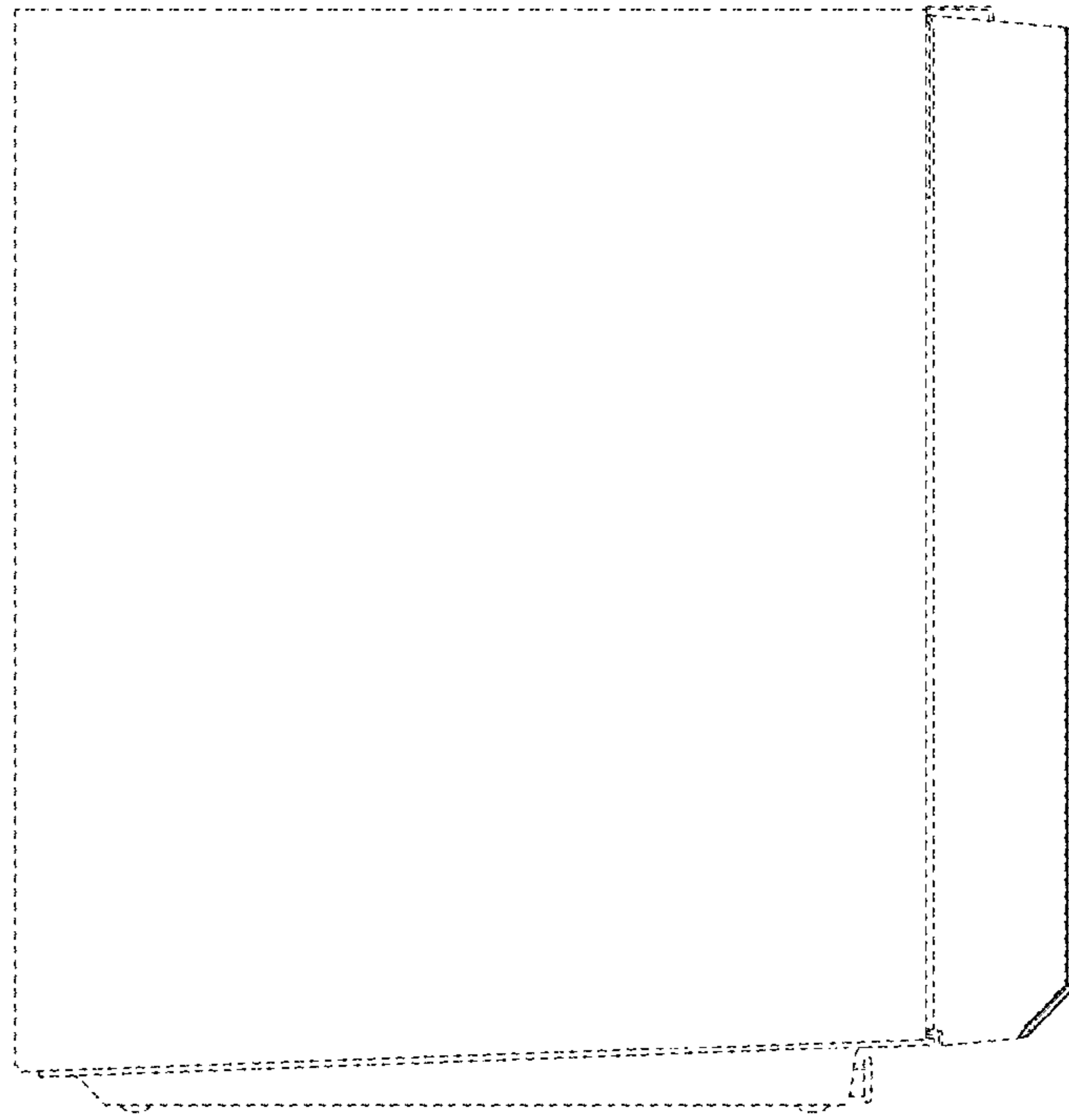


FIG. 5

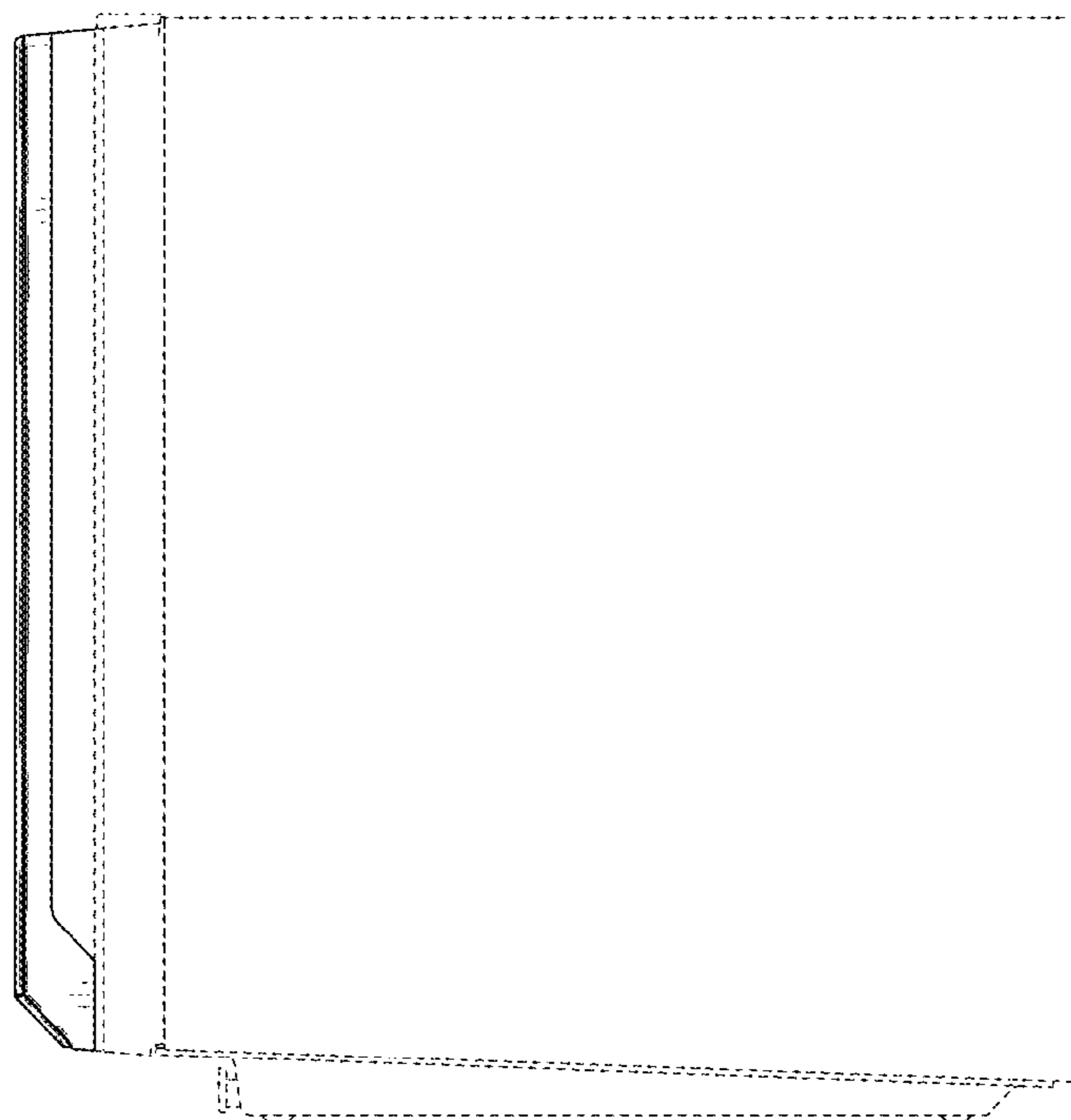


FIG. 6

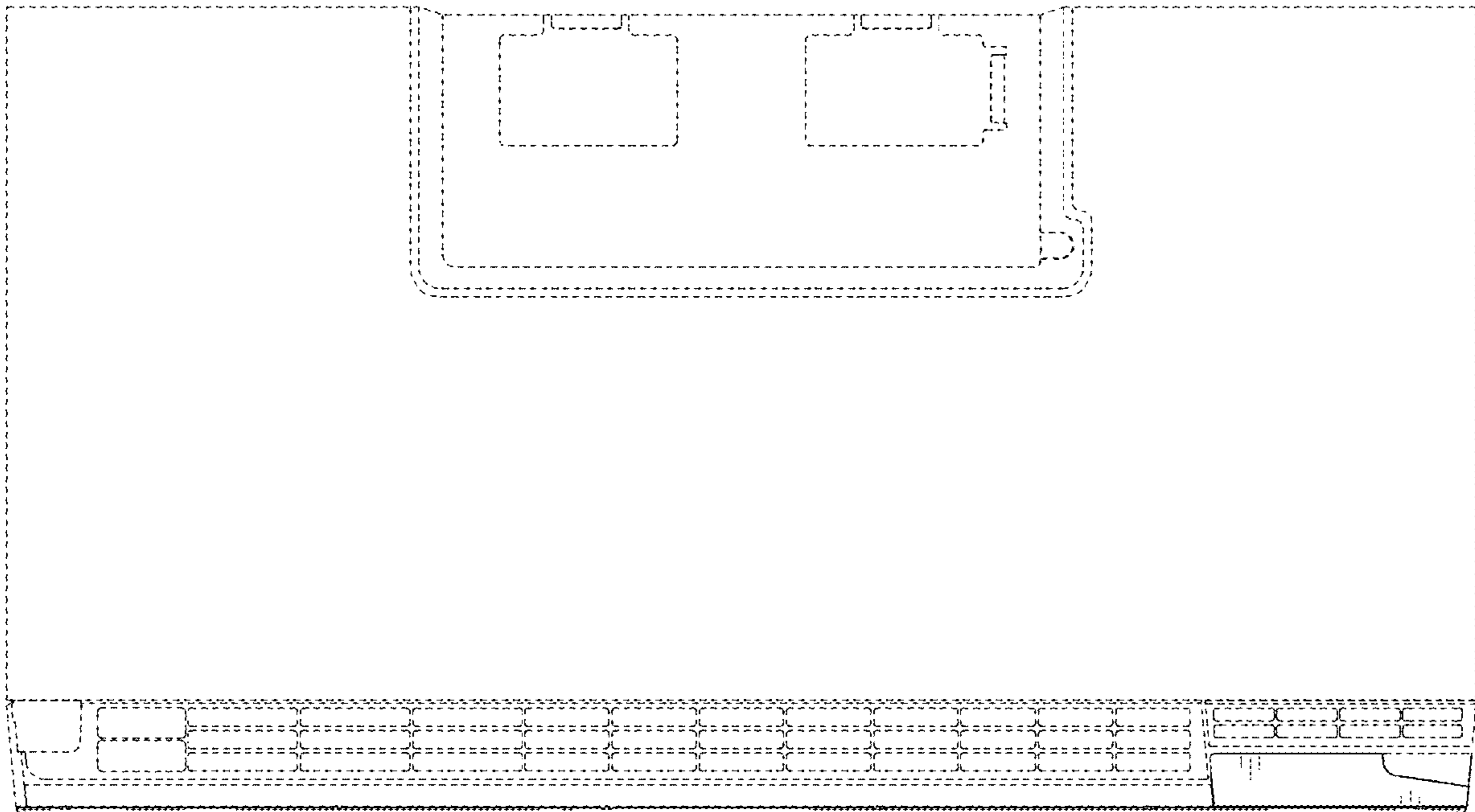


FIG. 7

