



US00D873059S

(12) **United States Design Patent**
Hultqvist

(10) **Patent No.:** **US D873,059 S**
(45) **Date of Patent:** **** Jan. 21, 2020**

(54) **TABLE**

(71) Applicant: **Inter IKEA Systems B.V.**, LN Delft (NL)

(72) Inventor: **Jonas Hultqvist**, Shanghai (CN)

(73) Assignee: **INTER IKEA SYSTEMS B.V.**, Delft (NL)

(**) Term: **15 Years**

(21) Appl. No.: **29/639,996**

(22) Filed: **Mar. 10, 2018**

(30) **Foreign Application Priority Data**

Sep. 13, 2017 (EM) 004349108

(51) **LOC (12) Cl.** **06-03**

(52) **U.S. Cl.**
USPC **D6/687**

(58) **Field of Classification Search**

USPC D6/406, 685–687, 691, 691.1–691.9

CPC A47B 1/00; A47B 7/00; A47B 9/00; A47B

13/00; A47B 13/02; A47B 13/04; A47B

13/06; A47B 13/08; A47B 13/10; A47B

13/12; A47B 17/00; A47B 21/00; A47B

2200/0001; A47B 2200/0011; A47B

2200/002; A47B 2200/0035

See application file for complete search history.

(56) **References Cited**

U.S. PATENT DOCUMENTS

D91,315 S * 1/1934 Brown D6/691.6

D281,555 S * 12/1985 Levy D6/406.6

D285,267 S * 8/1986 Berry, Jr. D6/687

(Continued)

OTHER PUBLICATIONS

Montana Nesting Tables—Molber Modern Furniture <https://www.moblerfurniture.com/living-room/coffee-and-end-tables/montana->

solid-wood-nesting-tables-resin-accent/ retrieved from the internet on Nov. 7, 2019.*

(Continued)

Primary Examiner — Mary Ann Calabrese

(74) *Attorney, Agent, or Firm* — Tucker Ellis LLP; M. David Galin

(57) **CLAIM**

The ornamental design for a table, as shown and described.

DESCRIPTION

FIG. 1 is a front-left-top perspective view of a table in a collapsed configuration showing my new design;

FIG. 2 is a rear-right-bottom perspective view thereof;

FIG. 3 is a front view thereof, a rear view being a mirror image of the front view;

FIG. 4 is a left side view thereof;

FIG. 5 is a right side view thereof;

FIG. 6 is a top view thereof;

FIG. 7 is a bottom view thereof;

FIG. 8 is a front-left-top perspective view of the table in an expanded configuration;

FIG. 9 is a rear-right-bottom perspective view thereof;

FIG. 10 is a front view thereof, a rear view being a mirror image of the front view;

FIG. 11 is a left side view thereof;

FIG. 12 is a right side view thereof;

FIG. 13 is a top view thereof;

FIG. 14 is a bottom view thereof;

FIG. 15 is a front-left-top perspective view of an alternate embodiment of the table in an expanded configuration;

FIG. 16 is a rear-right-bottom perspective view thereof;

FIG. 17 is a front view thereof, a rear view being a mirror image of the front view;

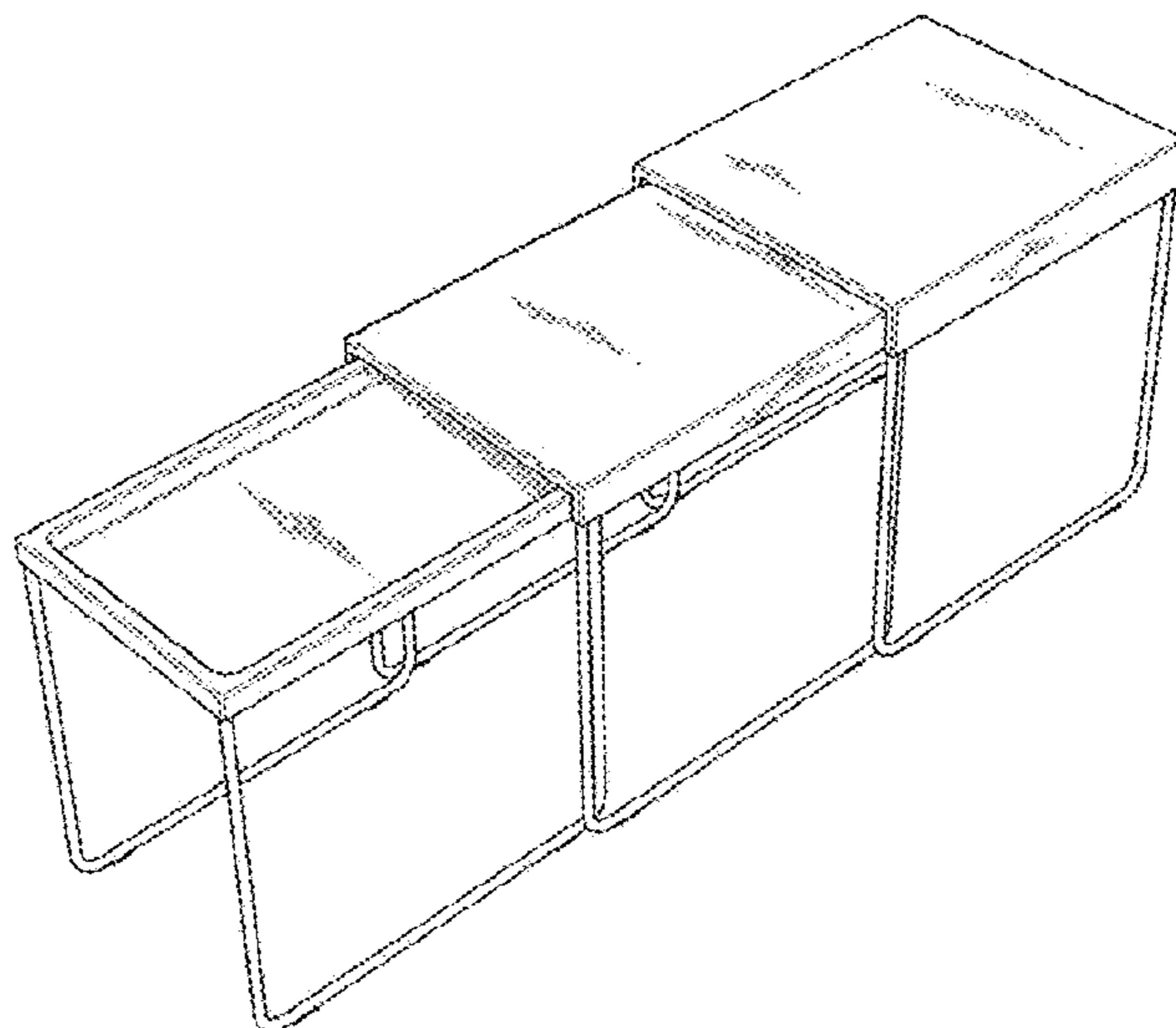
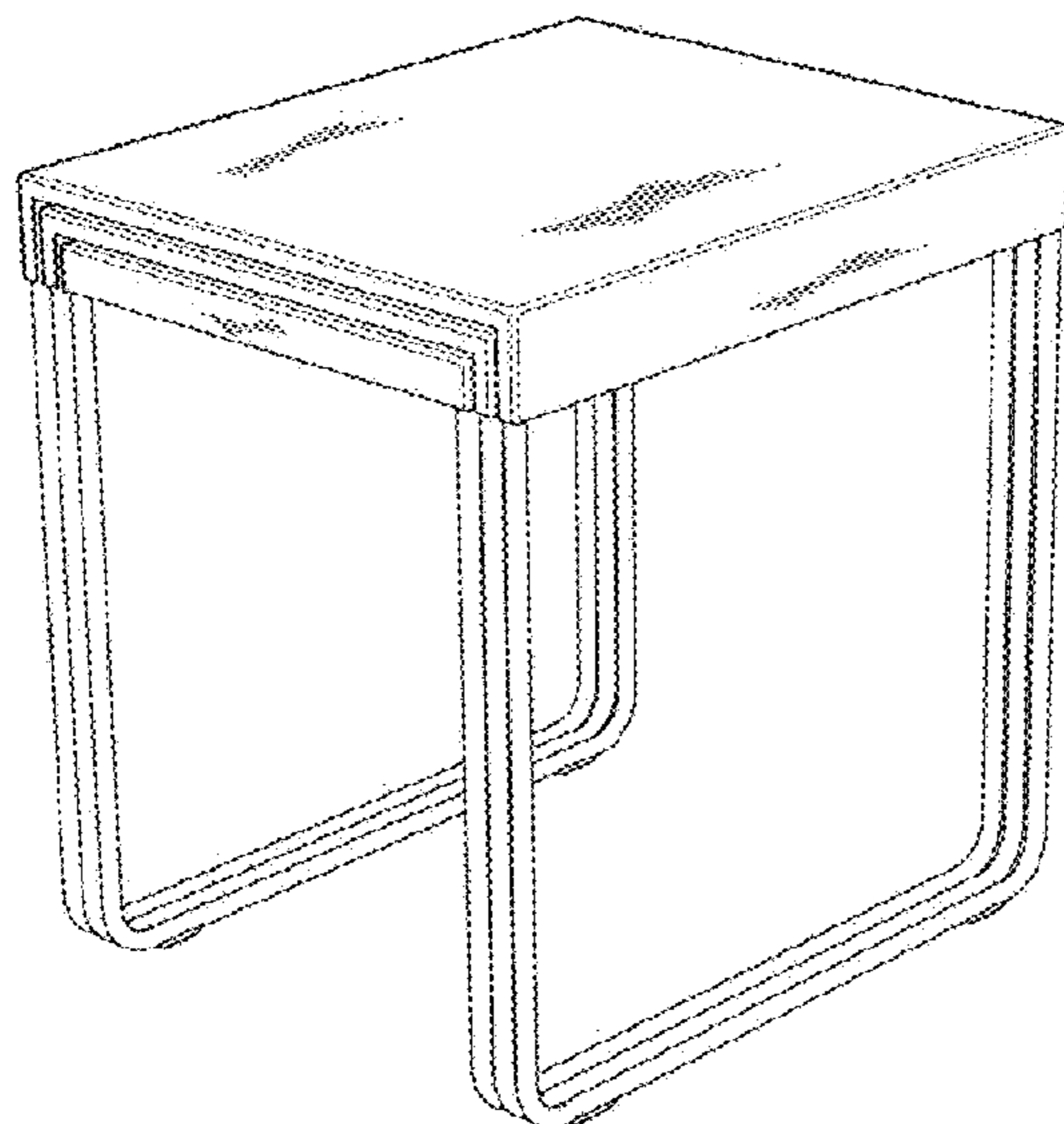
FIG. 18 is a left side view thereof;

FIG. 19 is a right side view thereof;

FIG. 20 is a top view thereof; and,

FIG. 21 is a bottom view thereof.

1 Claim, 16 Drawing Sheets



(56)

References Cited

U.S. PATENT DOCUMENTS

D401,790 S * 12/1998 Buell D6/687
D447,891 S * 9/2001 Wood D6/687
D567,548 S * 4/2008 Chan D6/687
D614,889 S * 5/2010 Van Duysen D6/691.5
D686,438 S * 7/2013 Denby D6/687
D736,017 S * 8/2015 Rose D6/686

OTHER PUBLICATIONS

Taiga Oak Nesting Tables—Article <https://www.article.com/product/1704/taiga-oak-nesting-tables> retrieved from the internet on Nov. 7, 2019.*

* cited by examiner

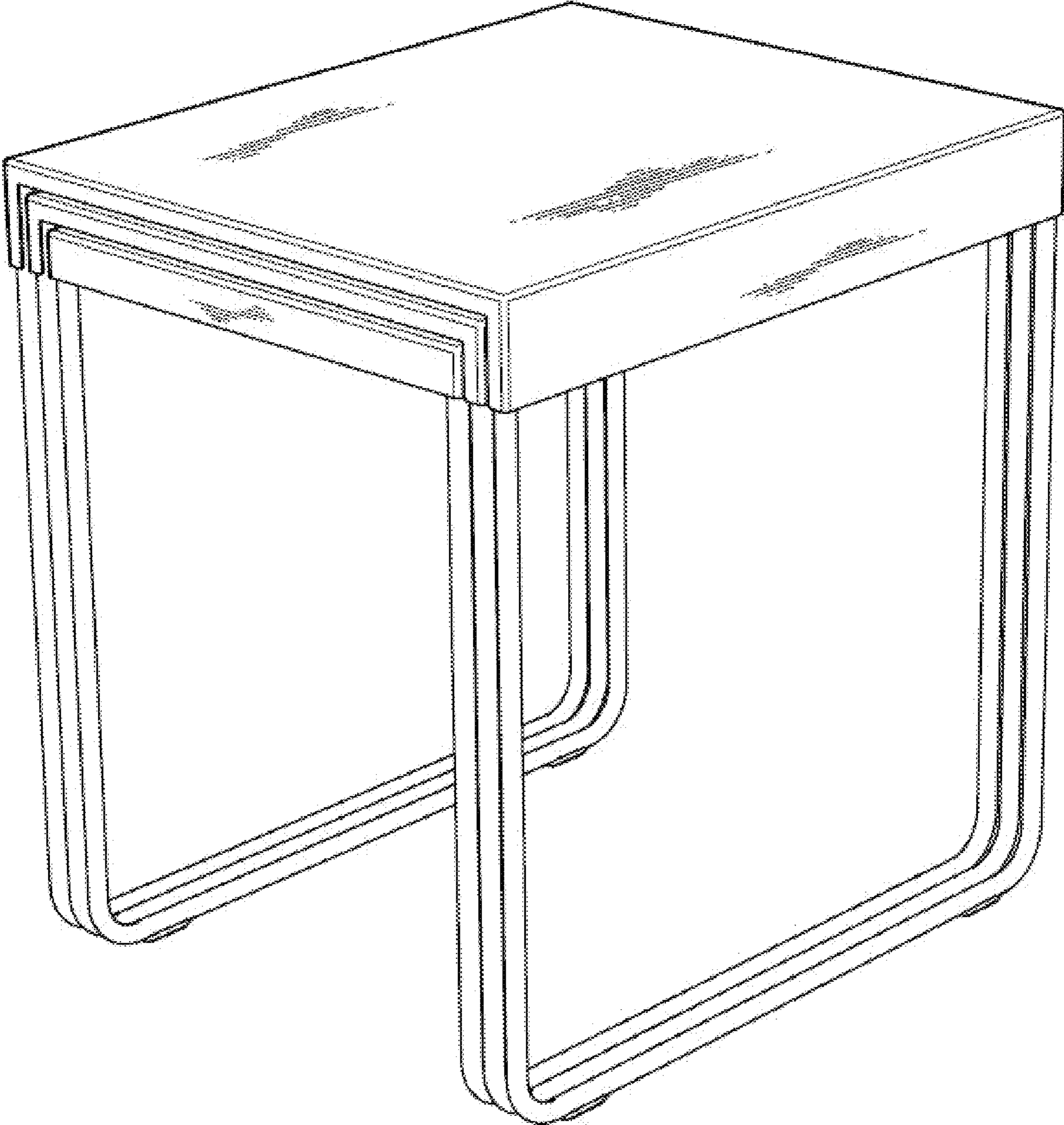


FIG. 1

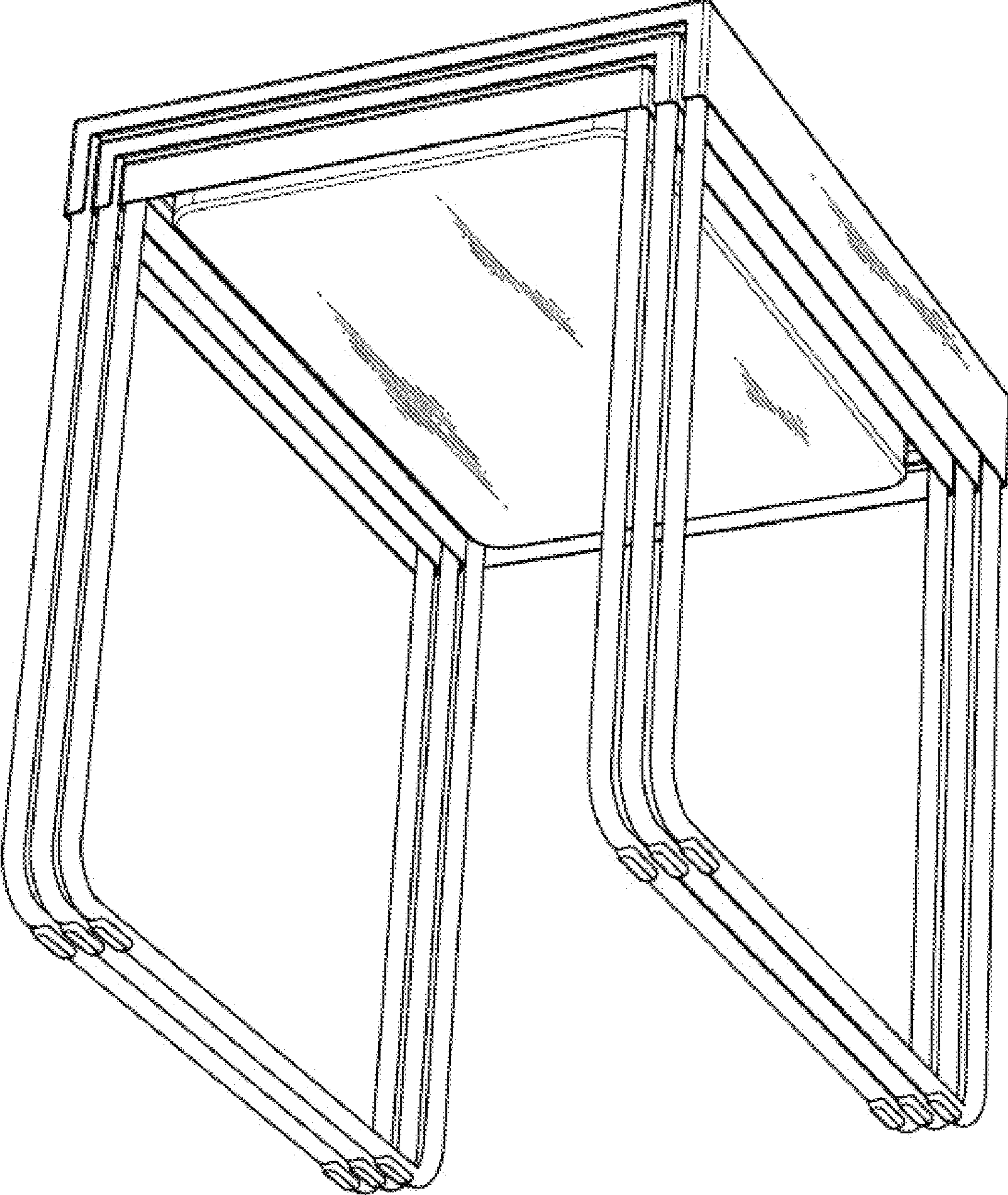


FIG. 2

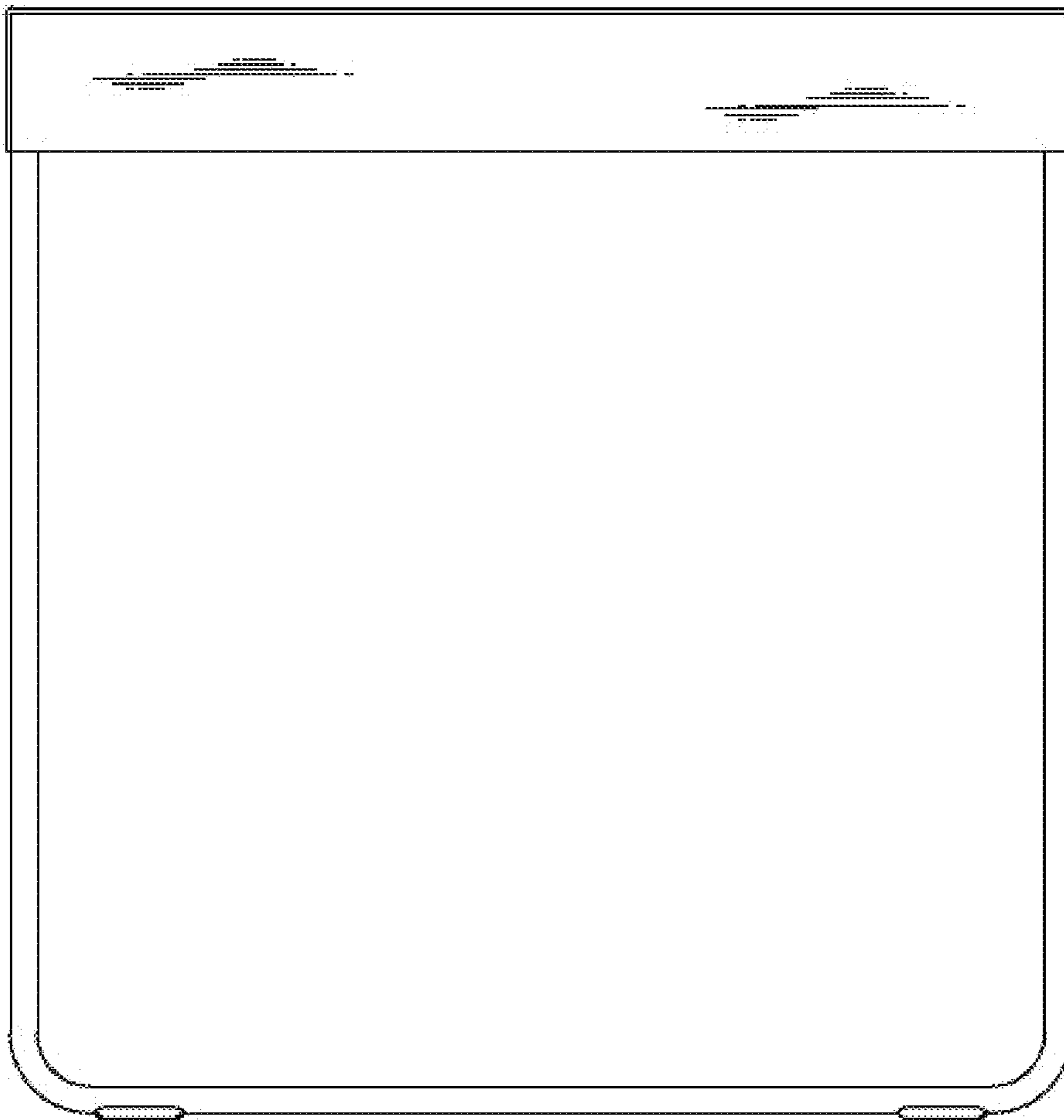


FIG. 3

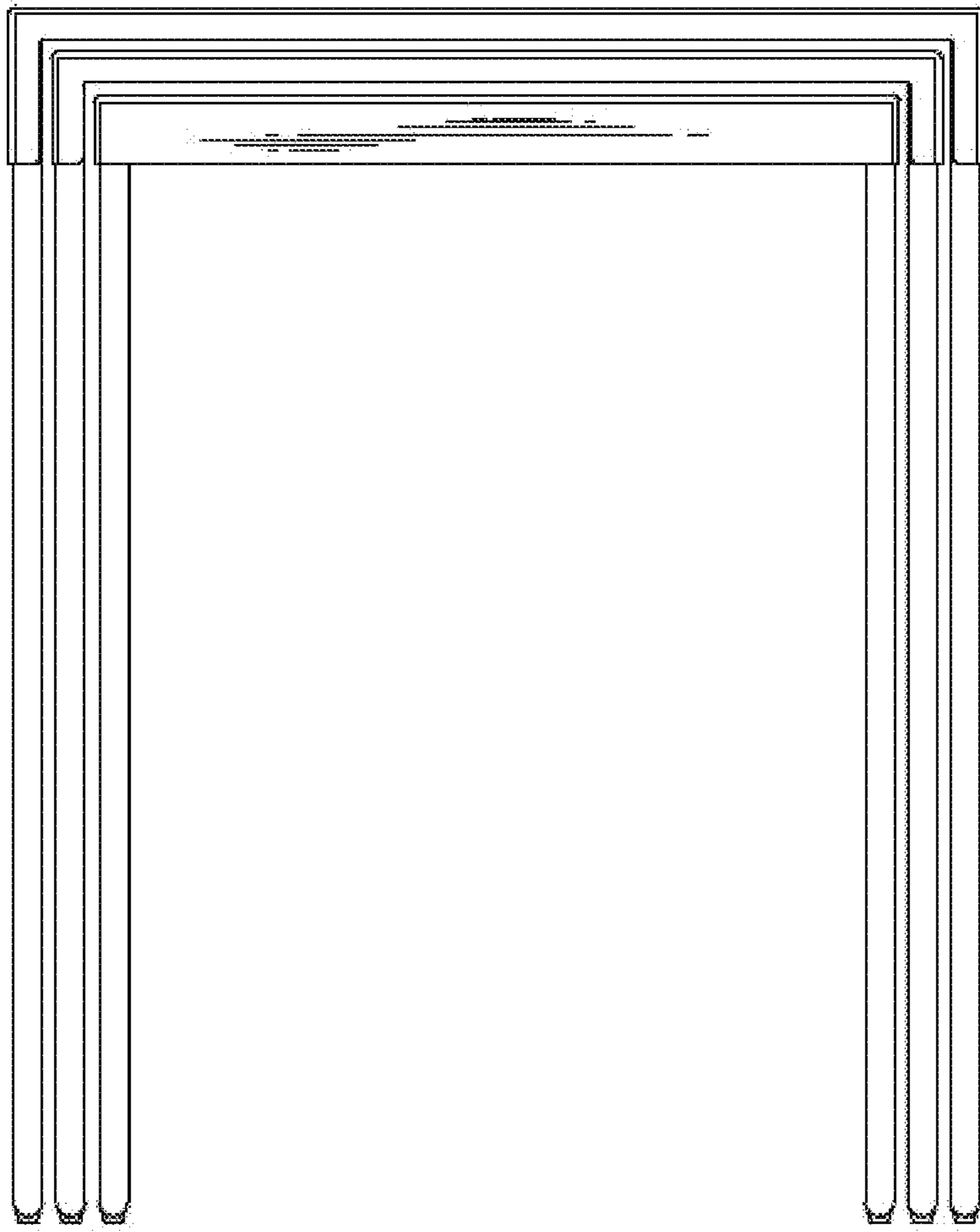


FIG. 4

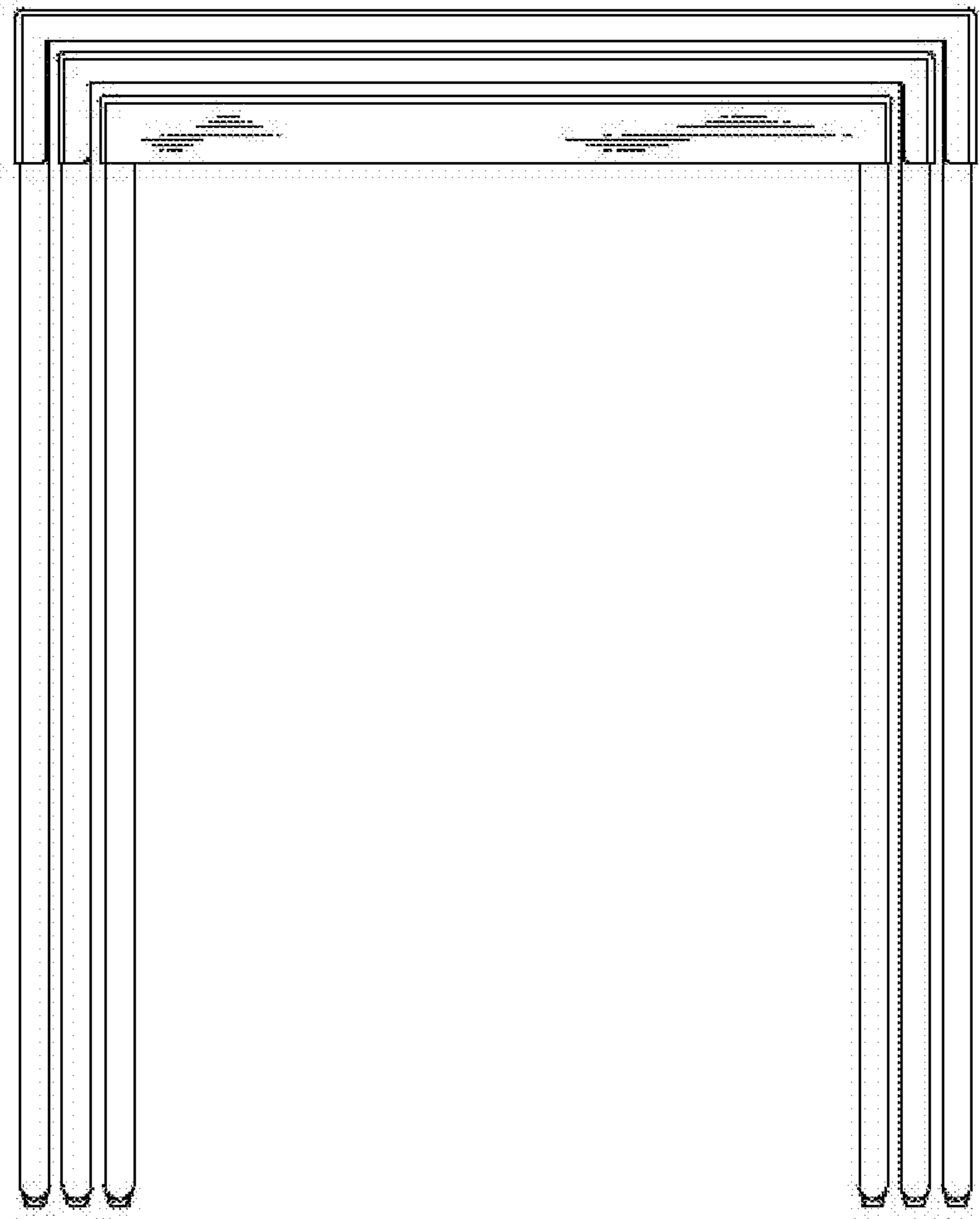


FIG. 5

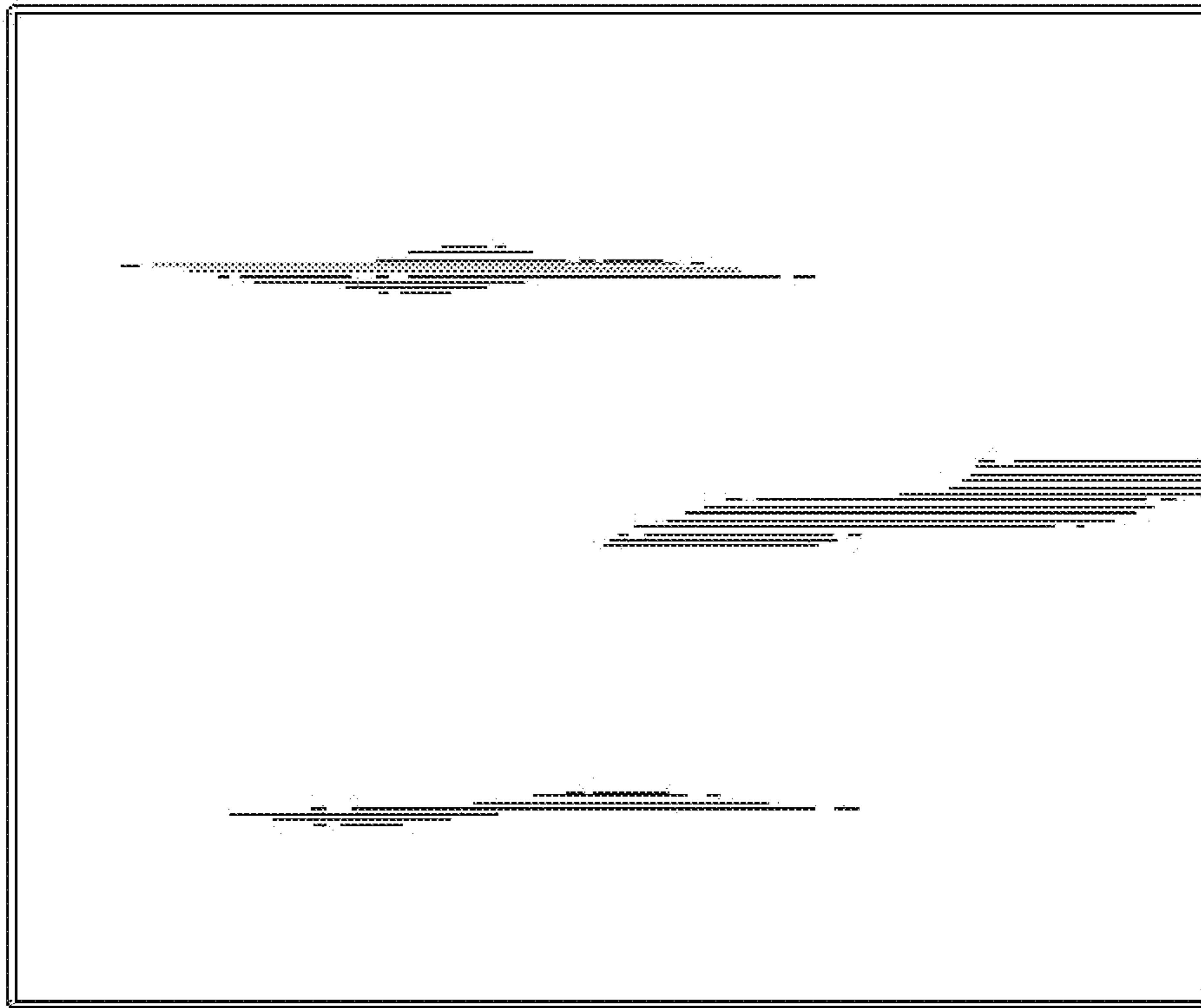


FIG. 6

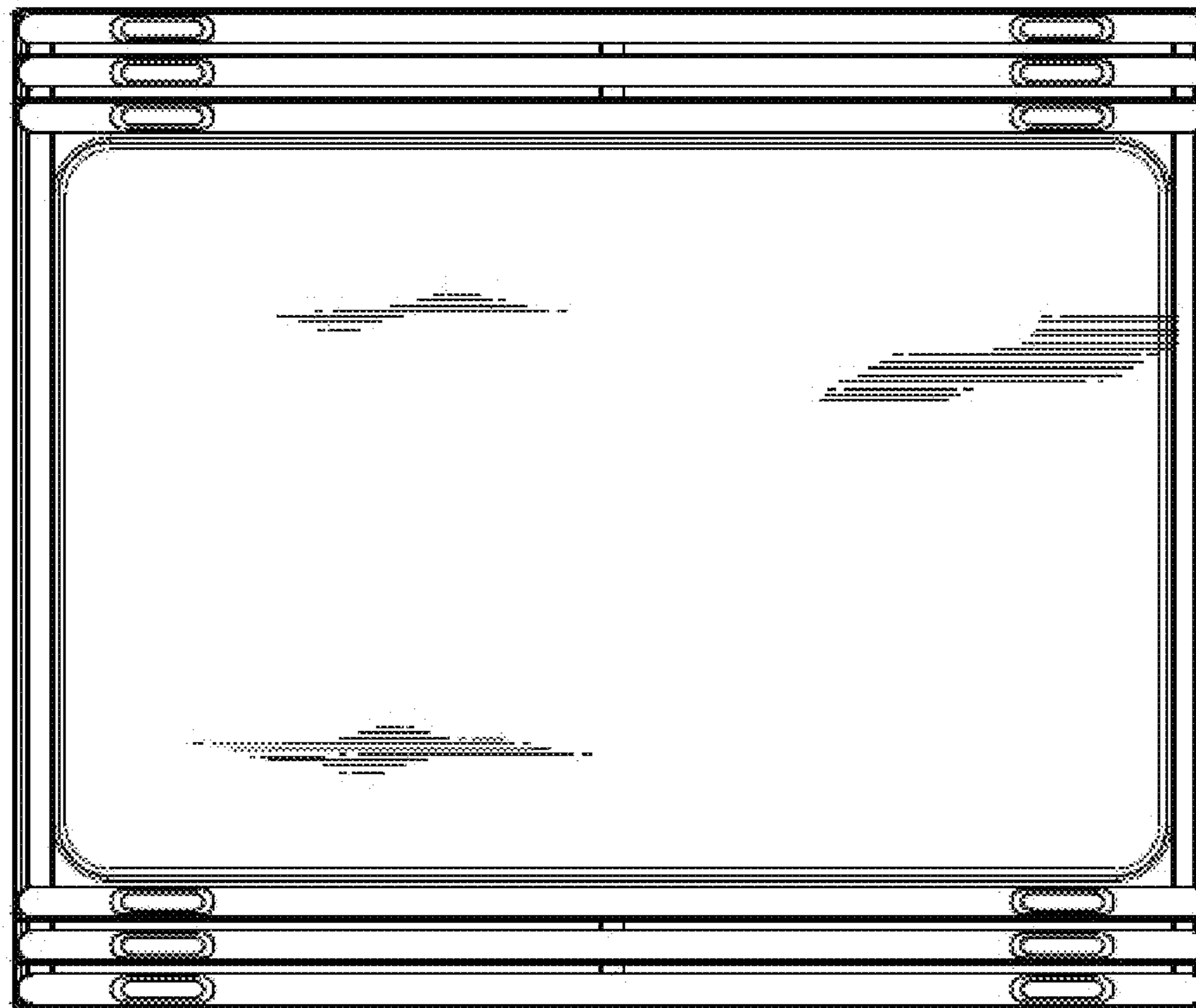


FIG. 7

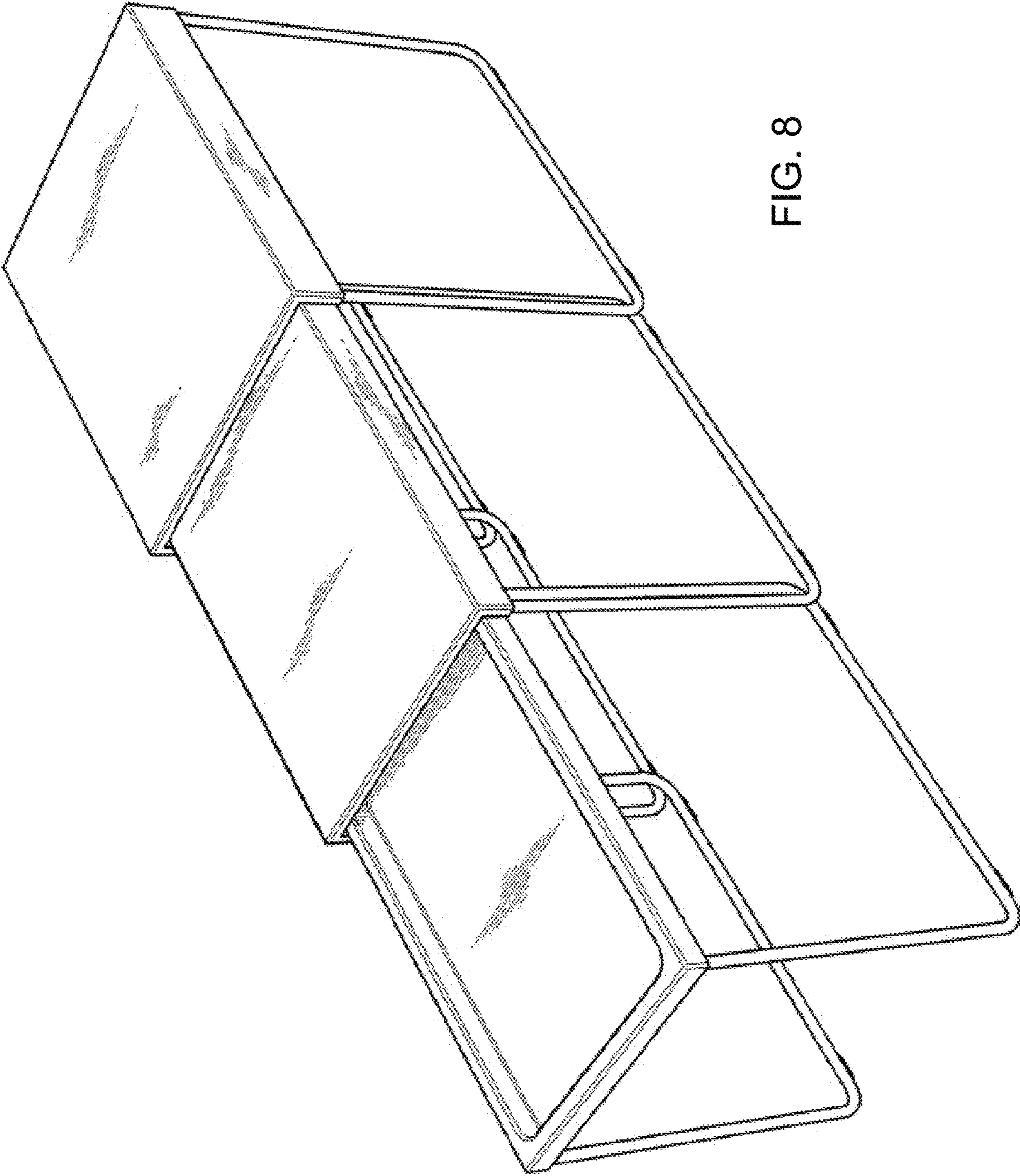


FIG. 8

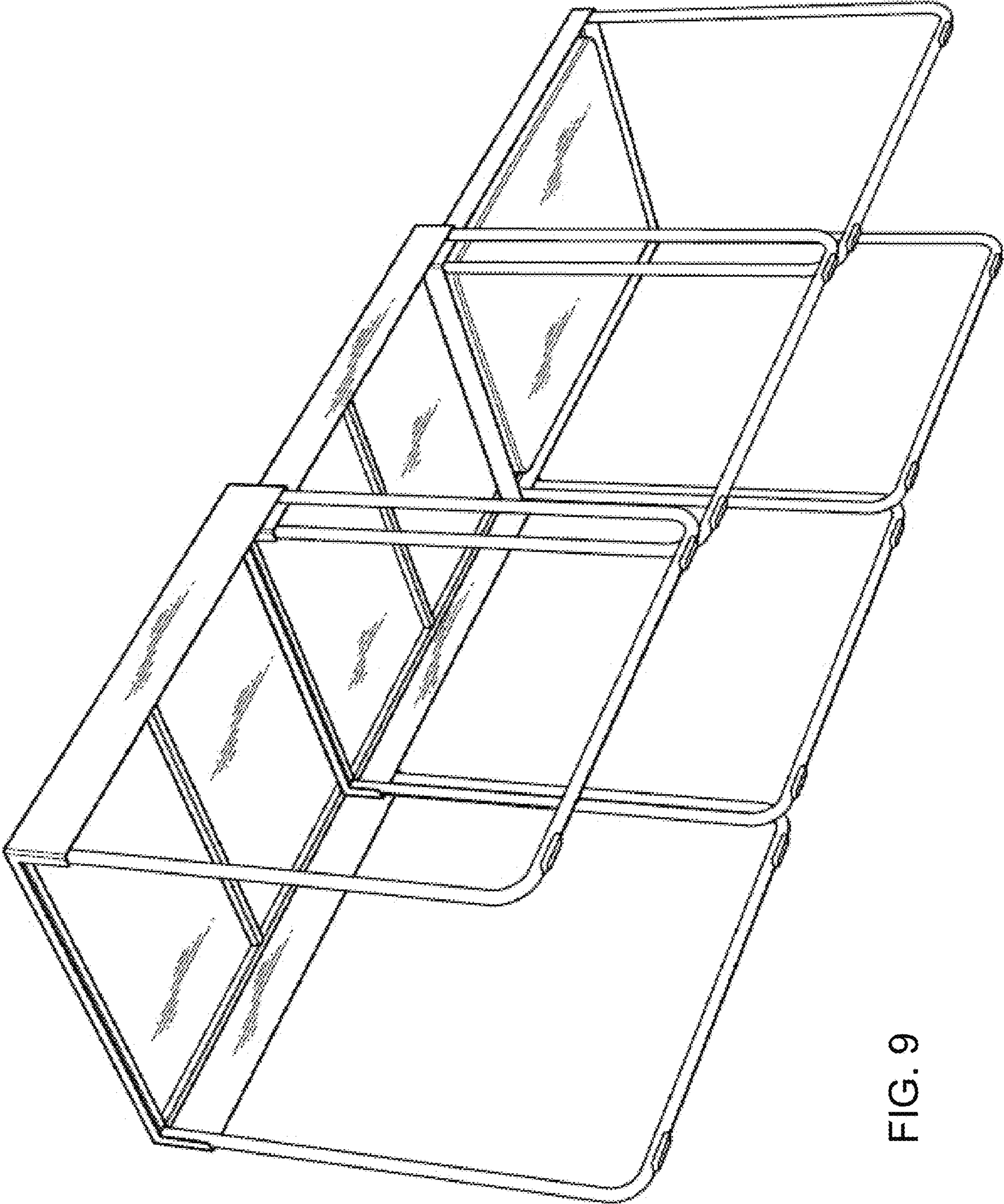


FIG. 9

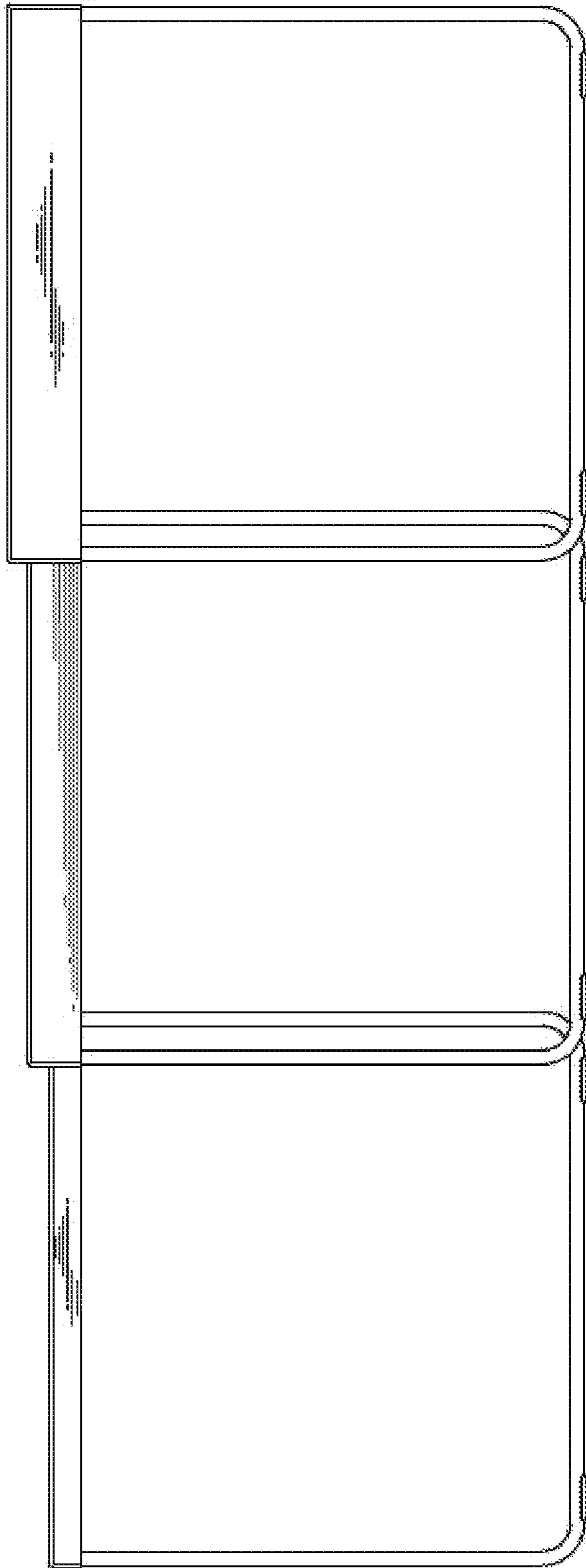


FIG. 10

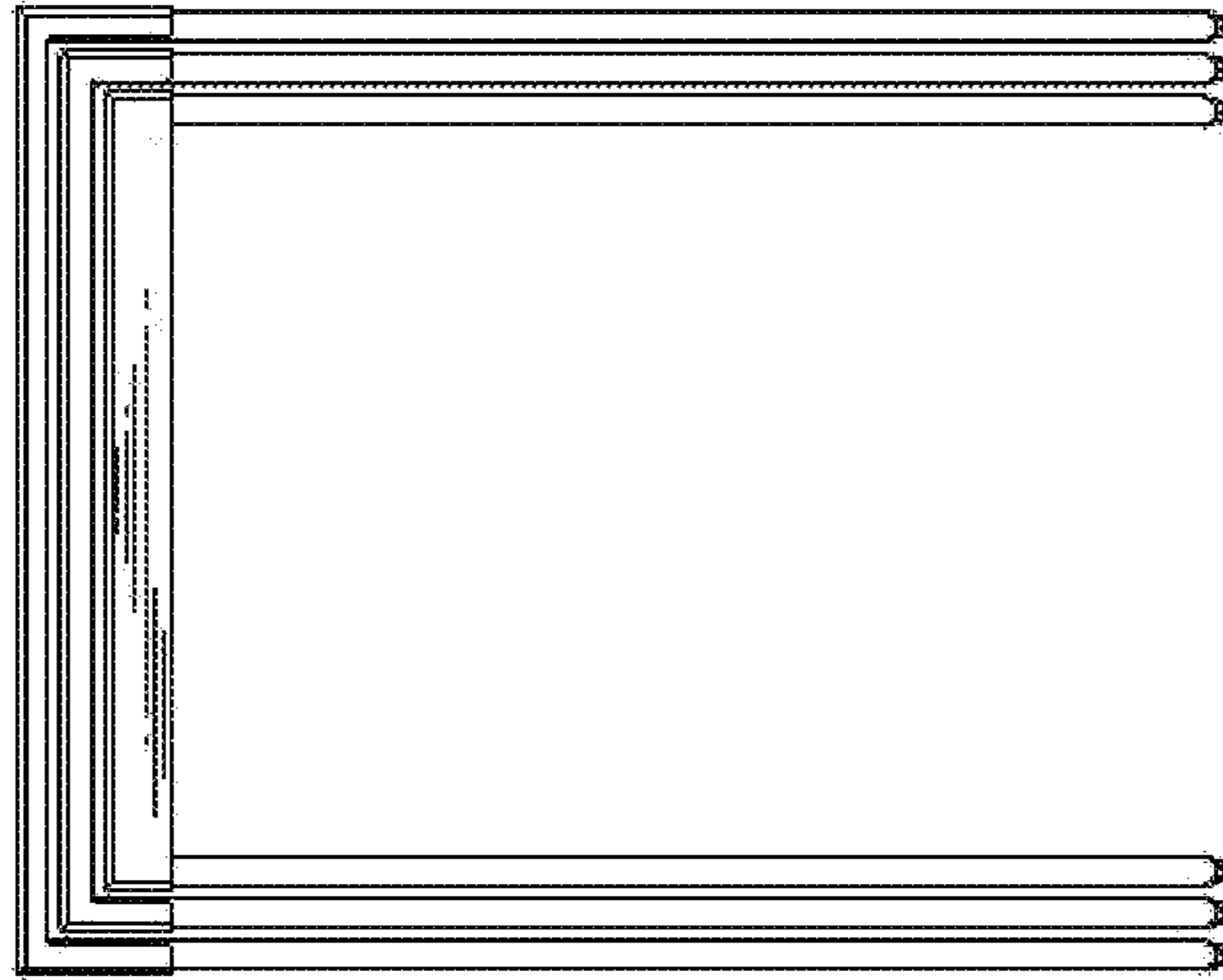


FIG. 12

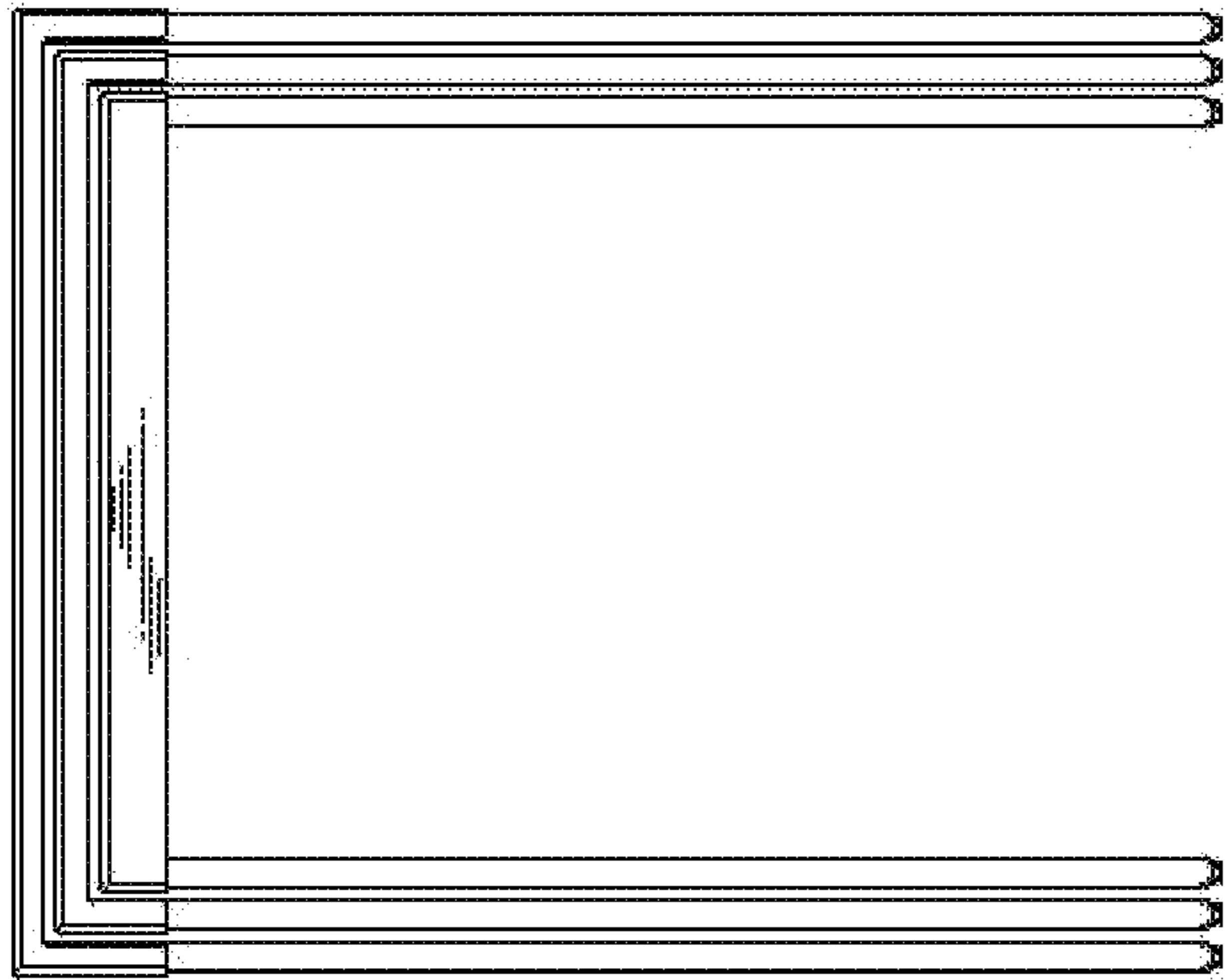


FIG. 11

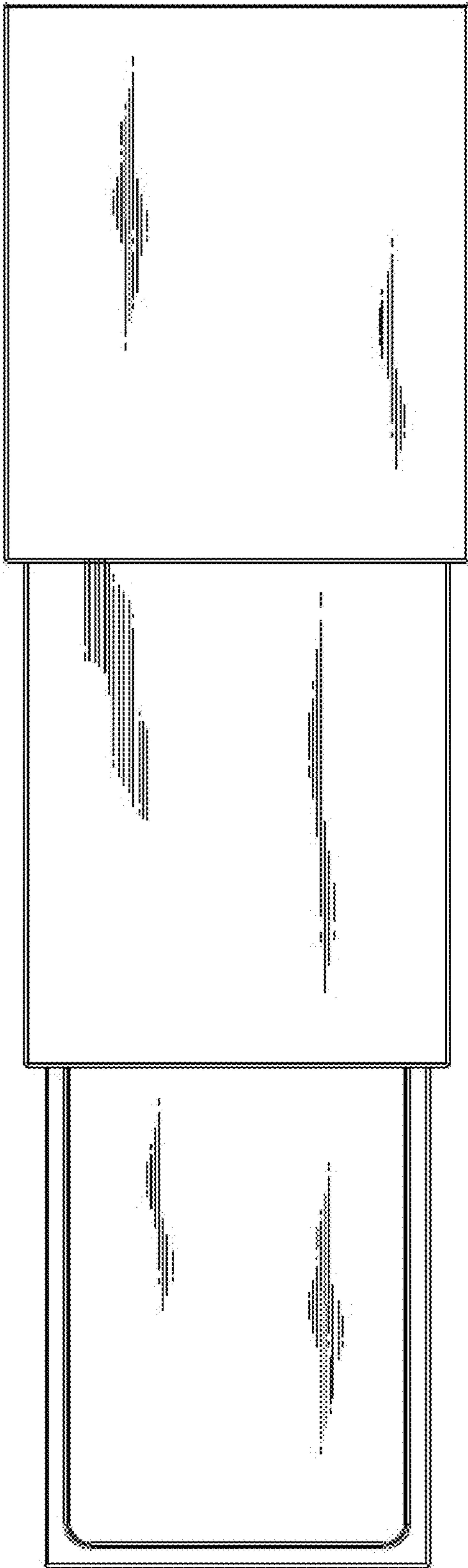


FIG. 13

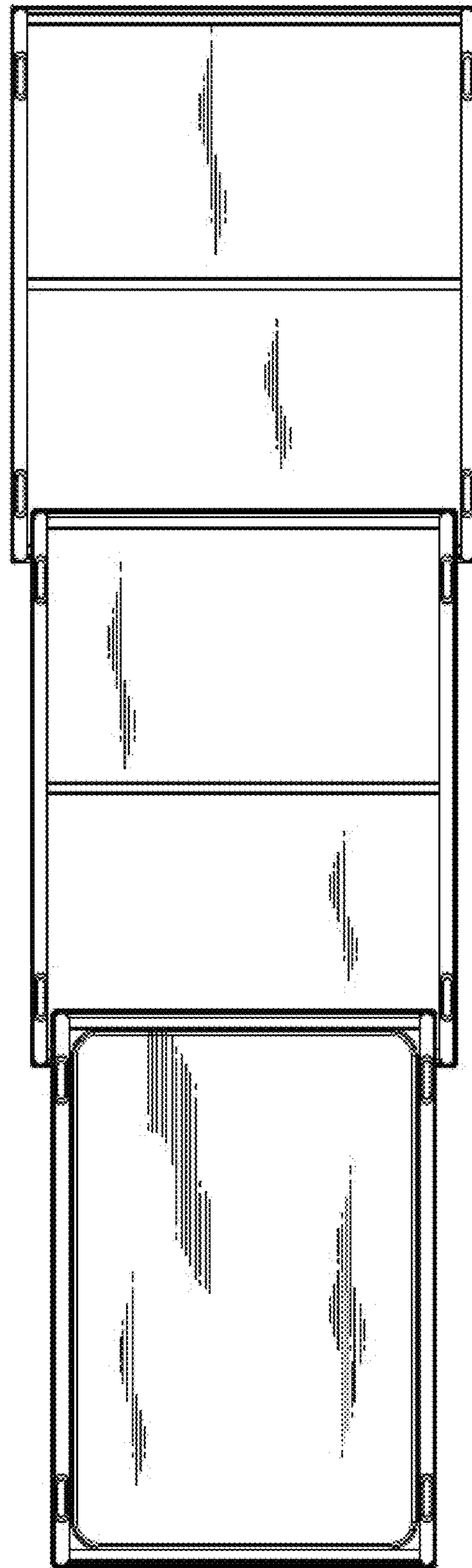


FIG. 14

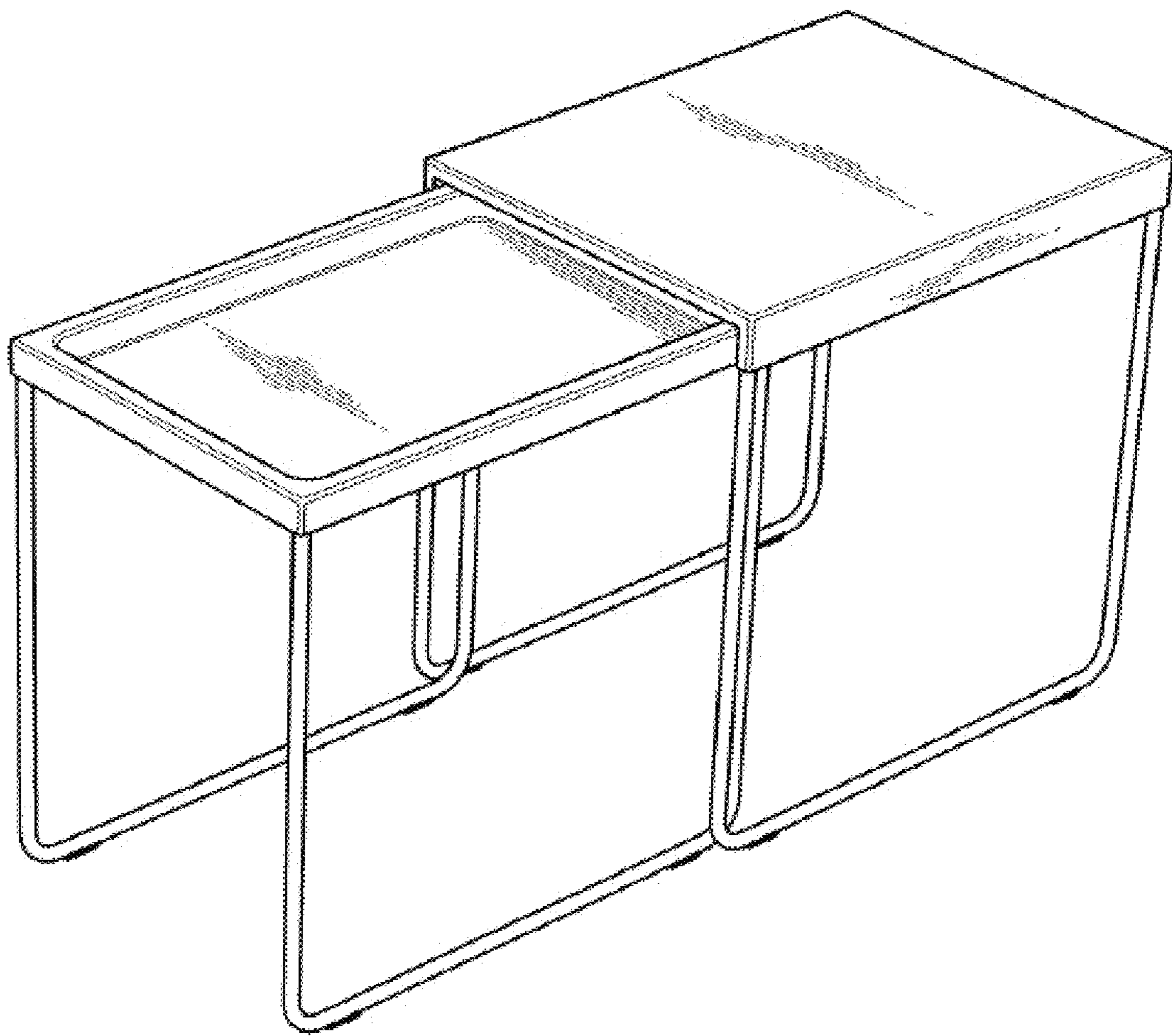


FIG. 15

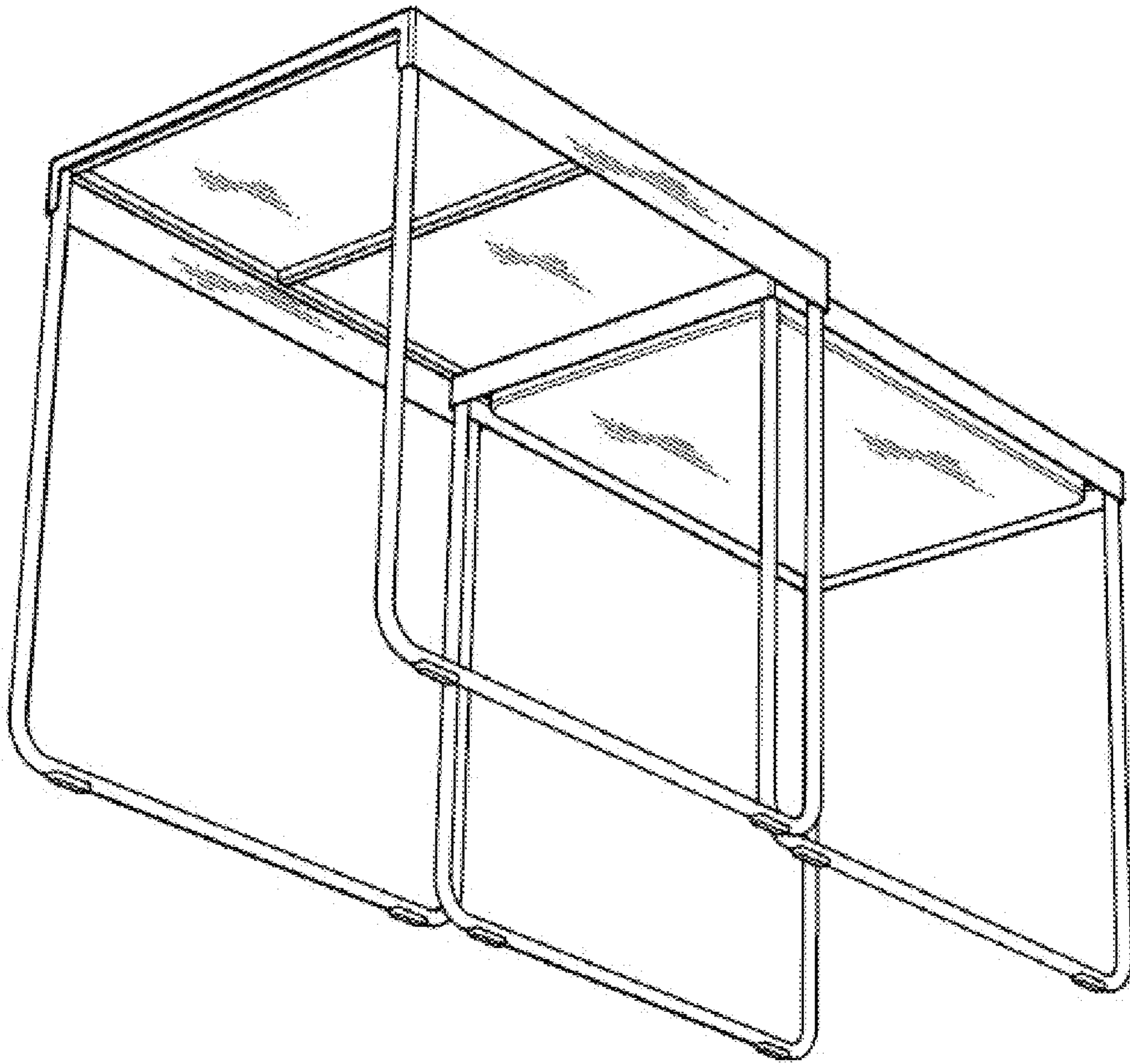


FIG. 16

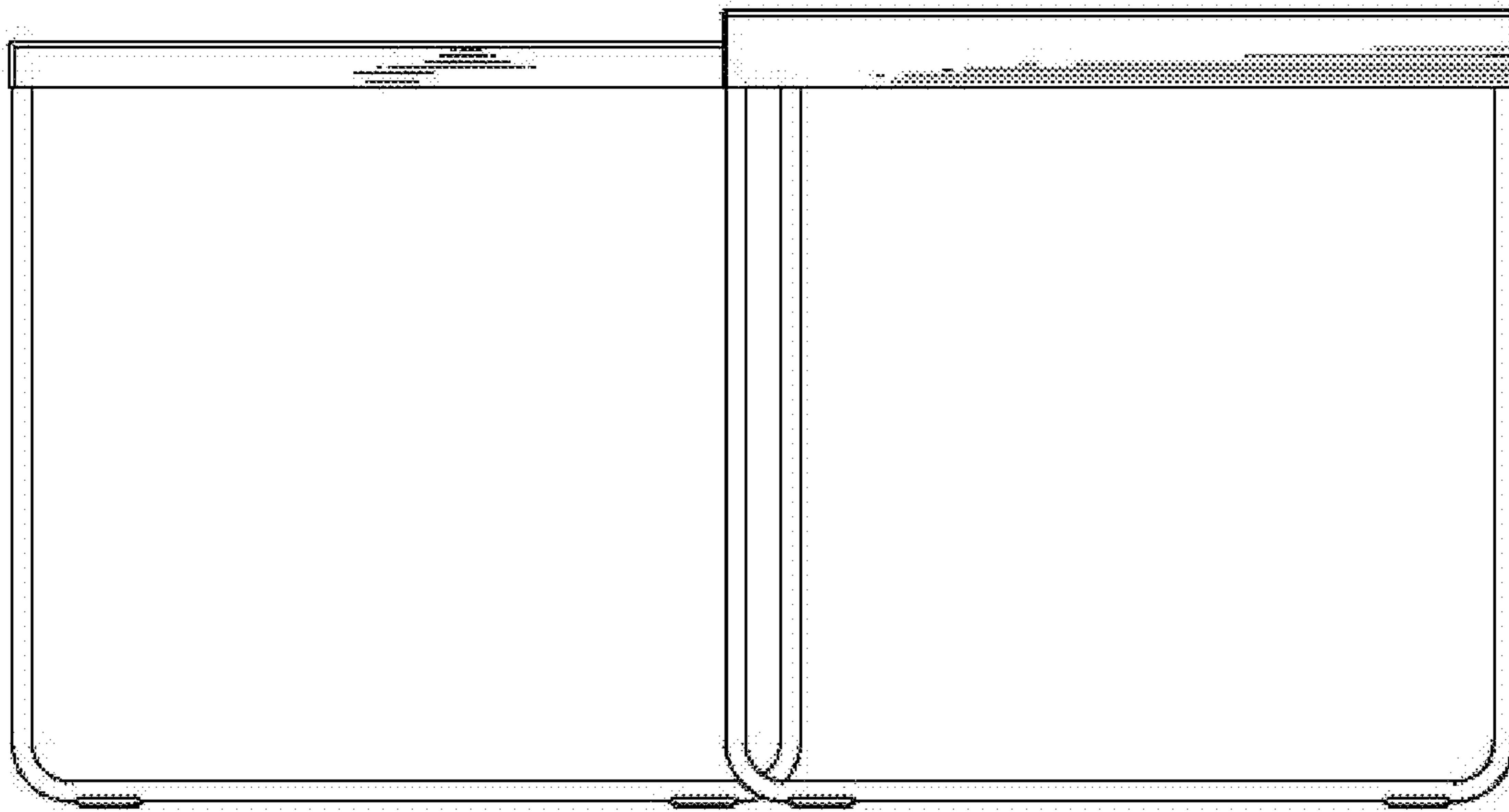


FIG. 17

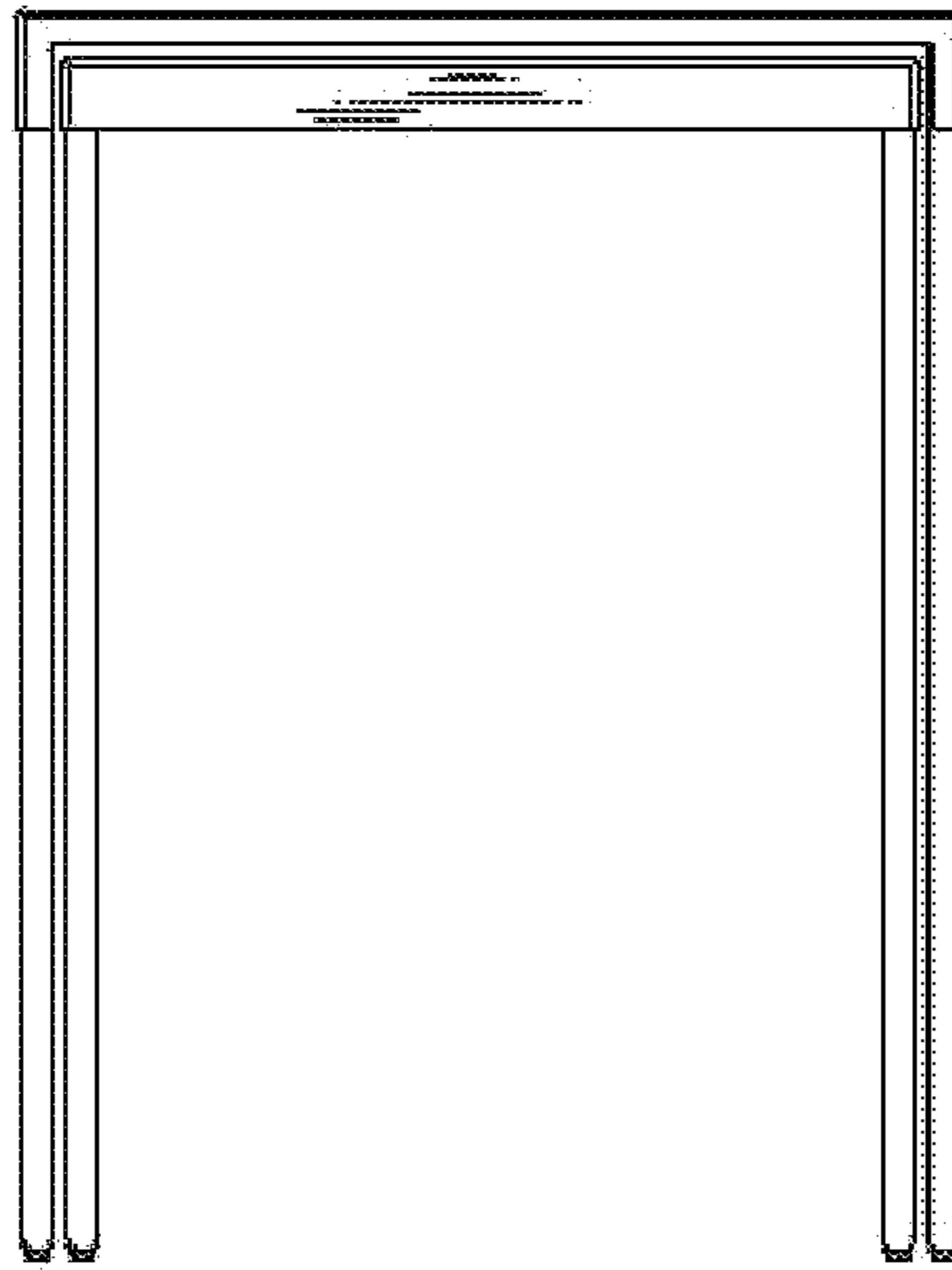


FIG. 18

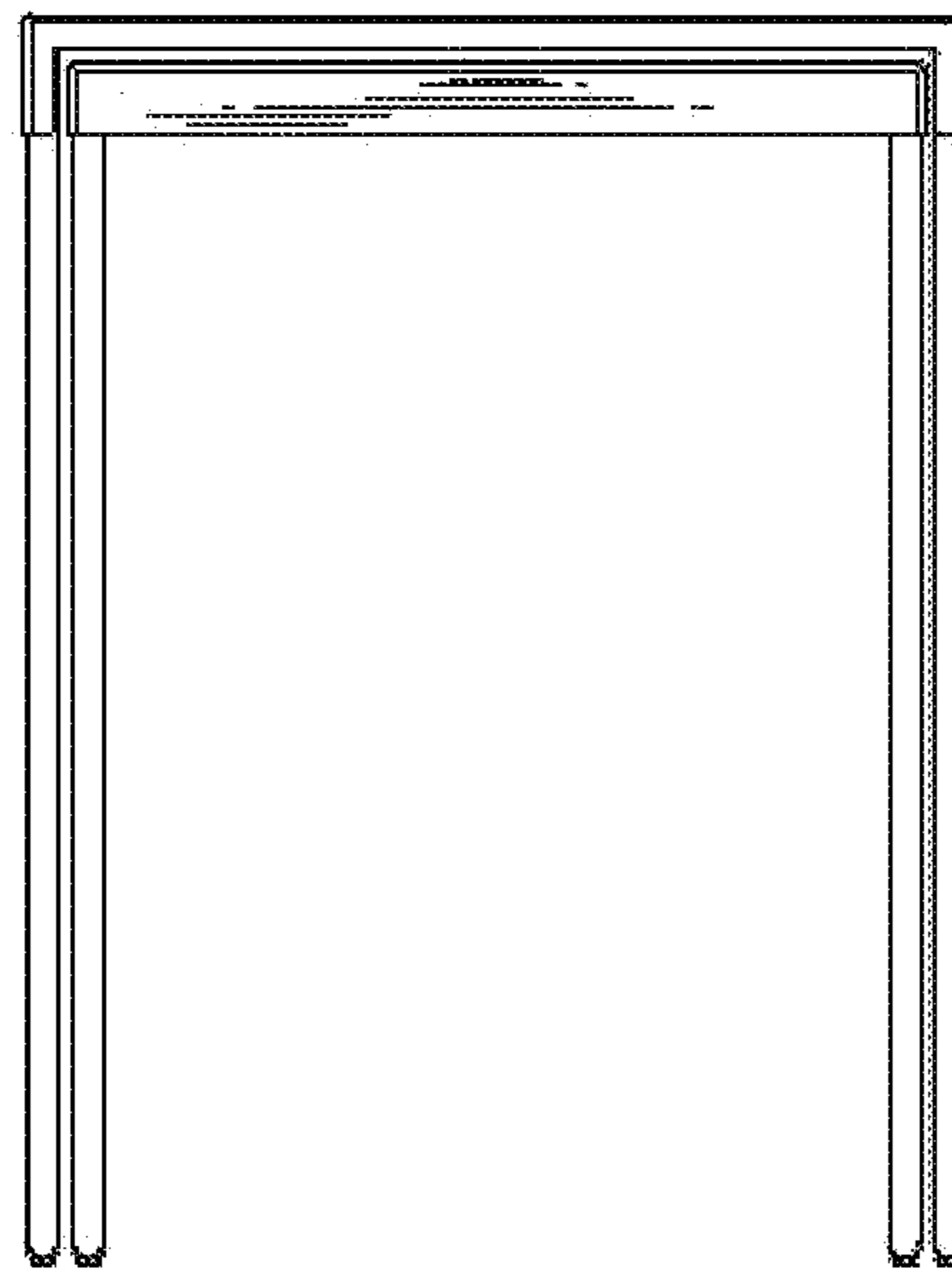


FIG. 19

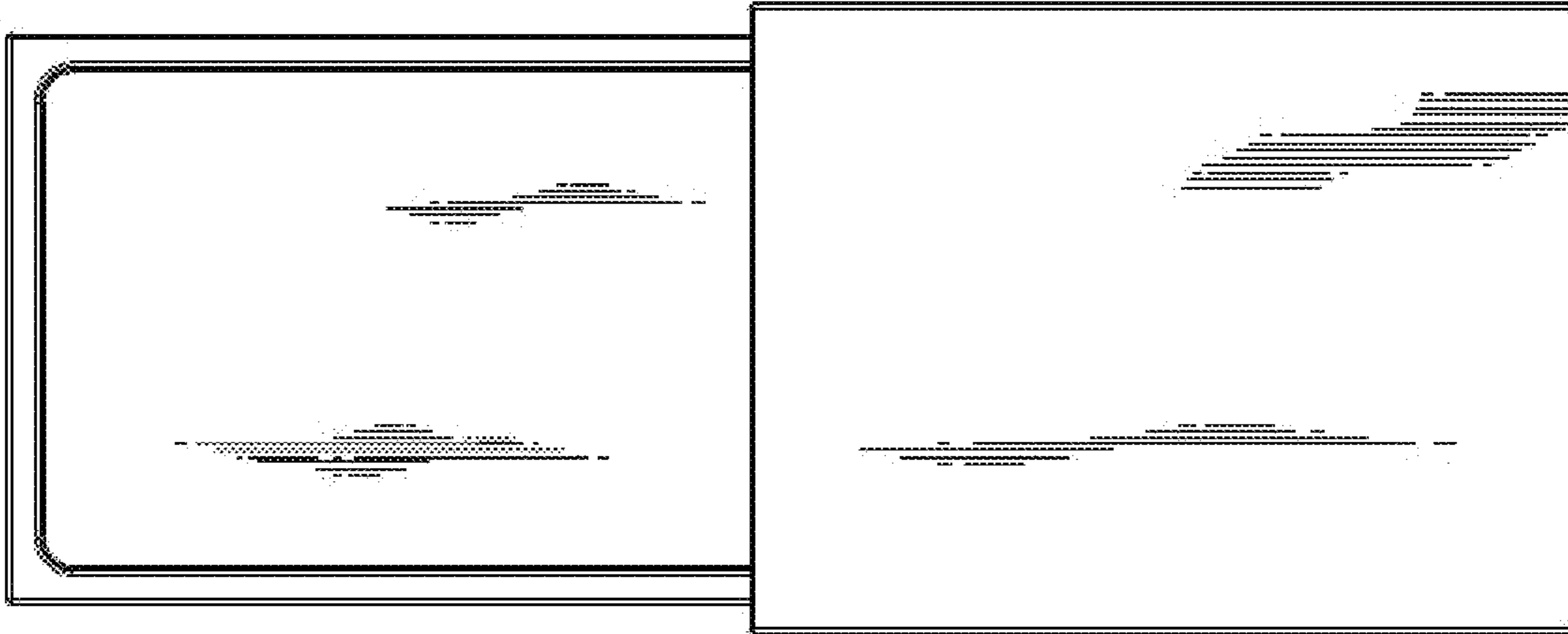


FIG. 20

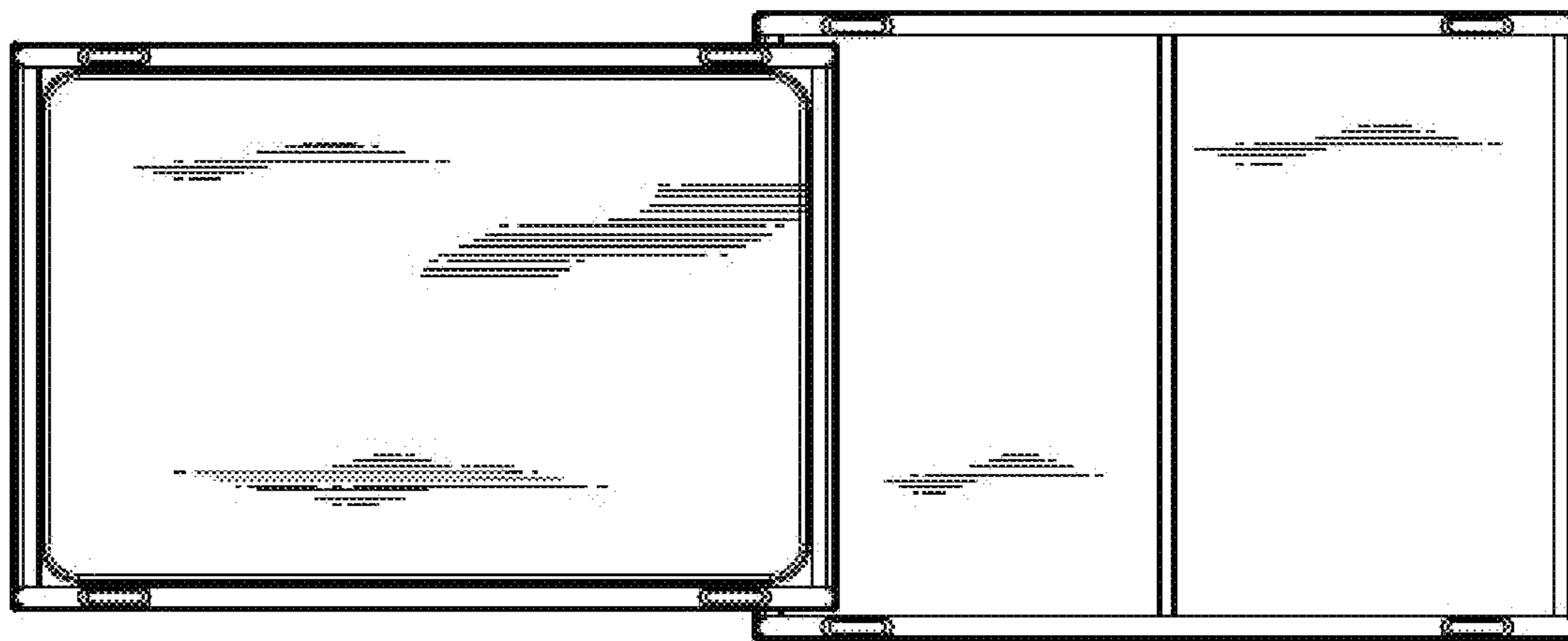


FIG. 21