

US00D873058S

(12) **United States Design Patent**
Hajiri

(10) **Patent No.:** **US D873,058 S**
(45) **Date of Patent:** **** Jan. 21, 2020**

(54) **MAKEUP ORGANIZER**

(71) Applicant: **Kamal Hajiri**, The Hague (NL)

(72) Inventor: **Kamal Hajiri**, The Hague (NL)

(**) Term: **15 Years**

(21) Appl. No.: **29/662,975**

(22) Filed: **Sep. 11, 2018**

(30) **Foreign Application Priority Data**

Apr. 24, 2018 (EM) 005245834

(51) **LOC (12) Cl.** **06-06**

(52) **U.S. Cl.**
USPC **D6/682.2**

(58) **Field of Classification Search**
USPC D3/304, 313, 315, 328; D19/102, 107,
D19/75, 77, 81, 95; D6/672, 675, 678,
D6/678.4, 682, 682.2

CPC B65D 11/00; B65D 11/10; B65D 11/20;
B65D 25/005; B65D 85/18
See application file for complete search history.

(56) **References Cited**

U.S. PATENT DOCUMENTS

D373,153 S * 8/1996 Madsen D21/487
D739,477 S * 9/2015 Simonds D21/487

D796,876 S * 9/2017 Sirotovsky D6/678
D804,571 S * 12/2017 Okene D19/78
D809,299 S * 2/2018 Xinos D3/297
D851,402 S * 6/2019 Best D3/304

* cited by examiner

Primary Examiner — Kelley A Donnelly

(57) **CLAIM**

The ornamental design for a makeup organizer, as shown and described.

DESCRIPTION

FIG. 1 is a front perspective view of the makeup organizer, showing my new design.

FIG. 2 is a rear perspective view of the makeup organizer;

FIG. 3 is a top plan view of the makeup organizer;

FIG. 4 is a bottom plan view of the makeup organizer;

FIG. 5 is a front elevation view of the makeup organizer;

FIG. 6 is a back elevation view of the makeup organizer;

FIG. 7 is a right side elevation view of the makeup organizer;

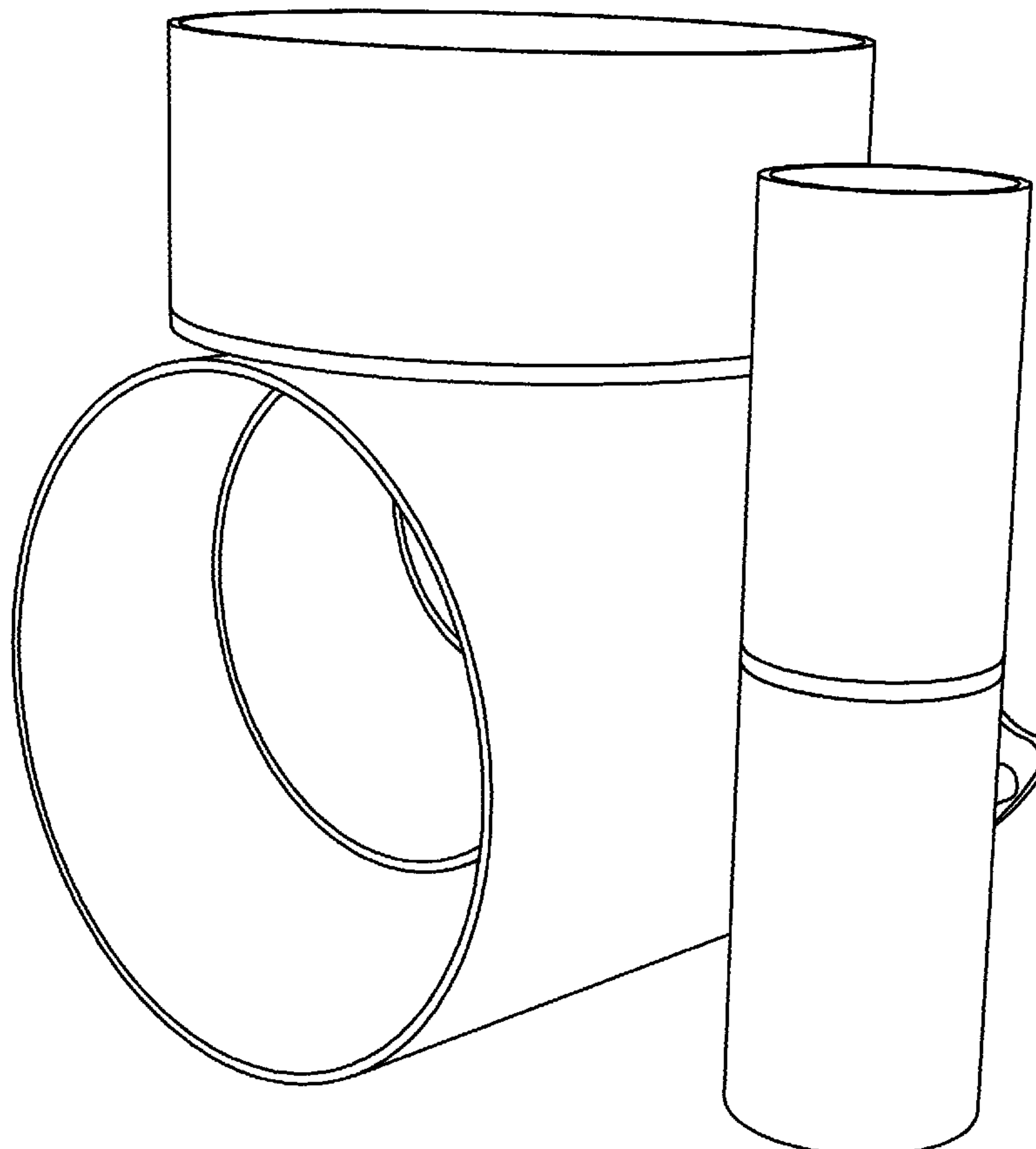
FIG. 8 is a left side elevation view of the makeup organizer;

FIG. 9 is a cross-sectional view of FIG. 3, taken along lines 09-09; and,

FIG. 10 is a cross-sectional view of FIG. 5, taken along lines 10-10.

The broken lines disclose portions of the makeup organizer which form no part of the claimed design.

1 Claim, 10 Drawing Sheets



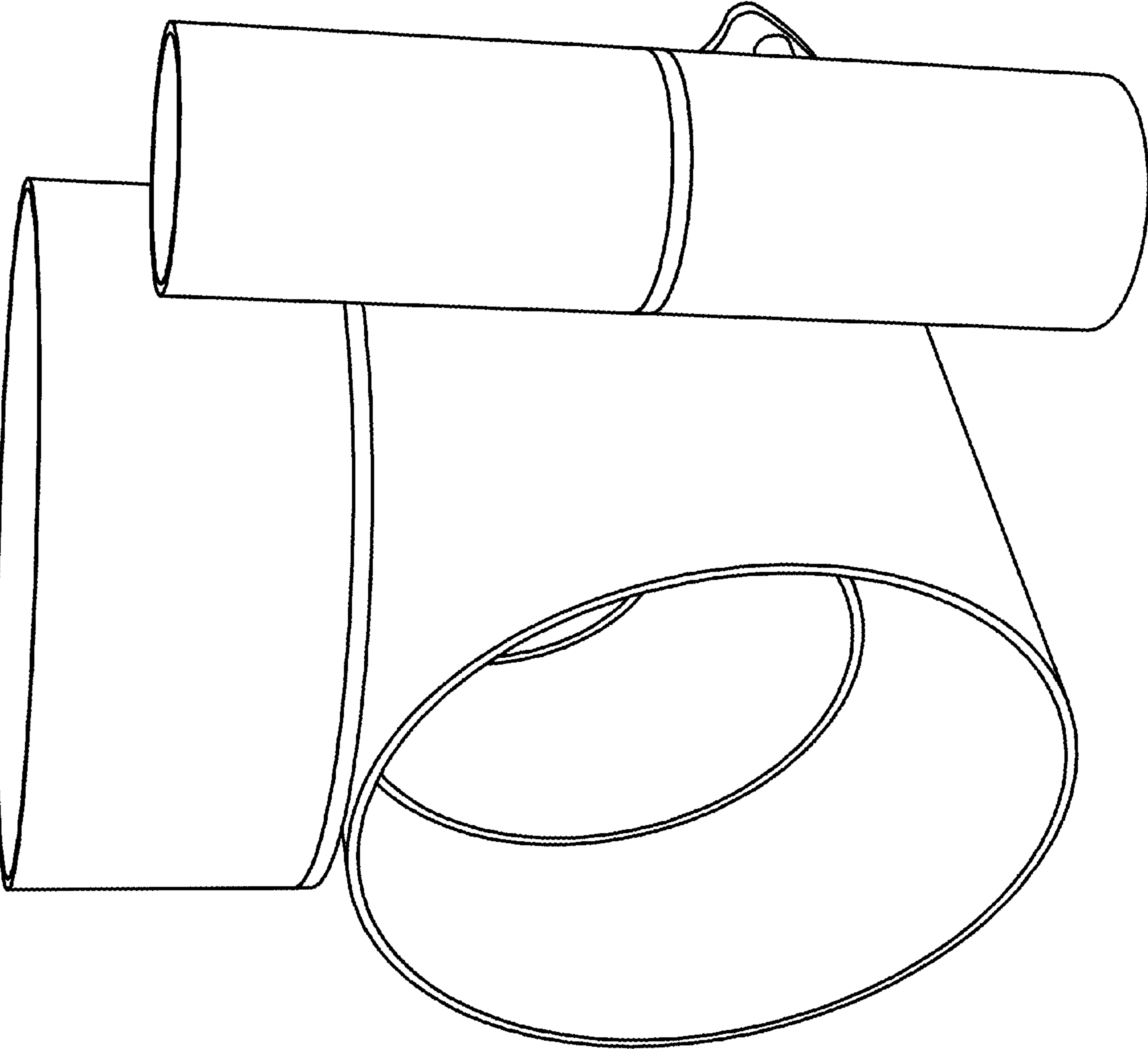


FIG. 01

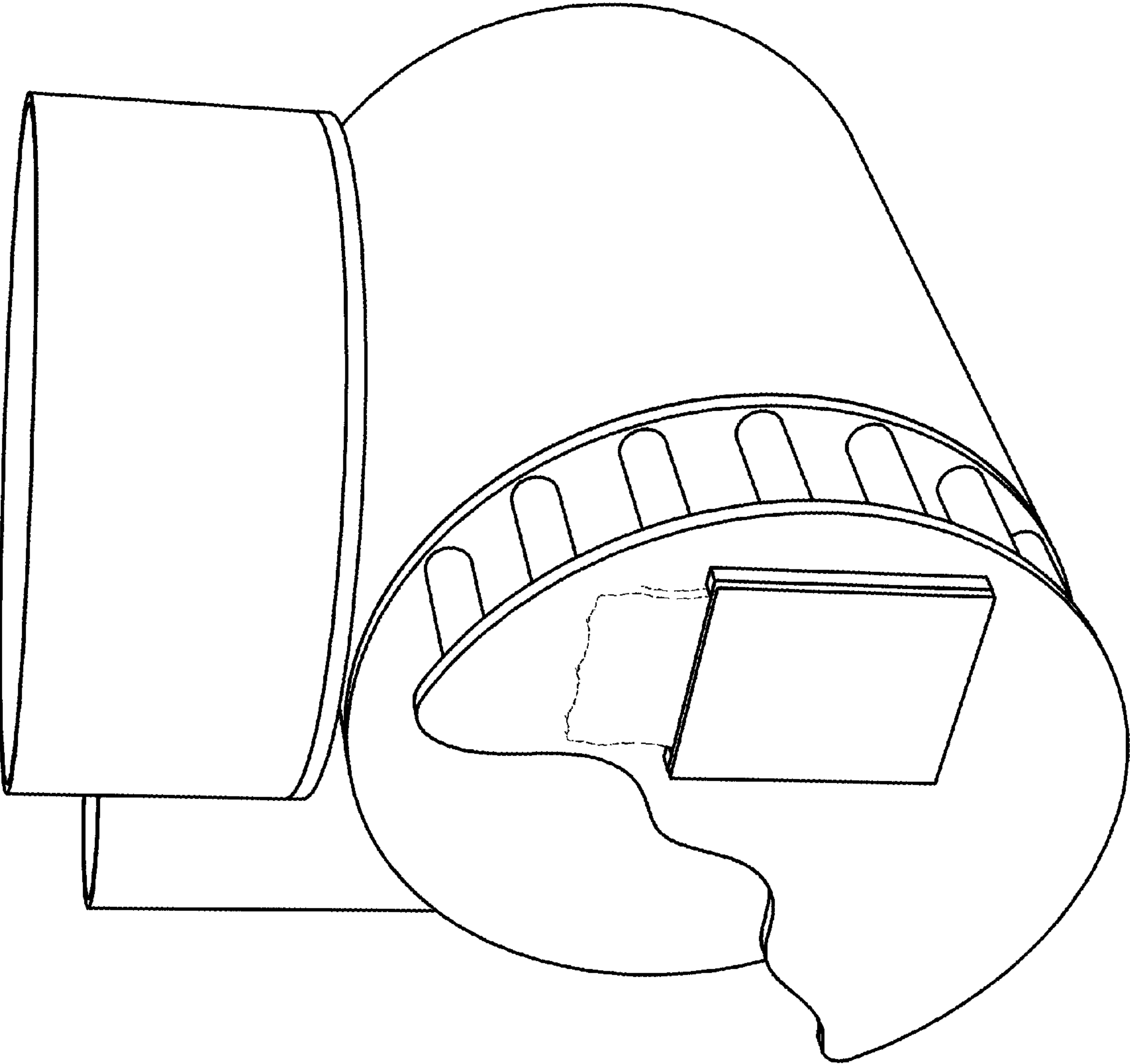


FIG. 02

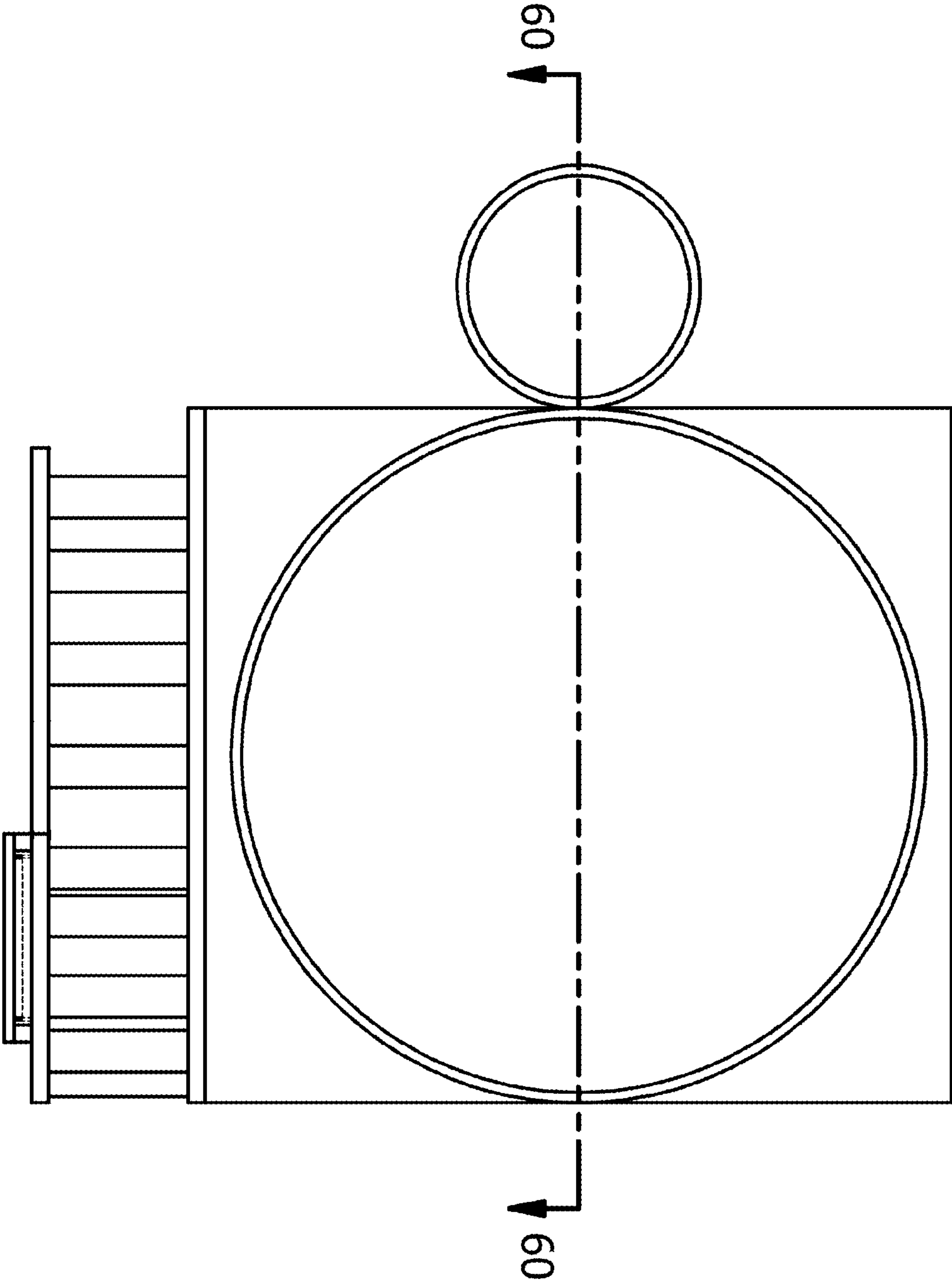


FIG. 03

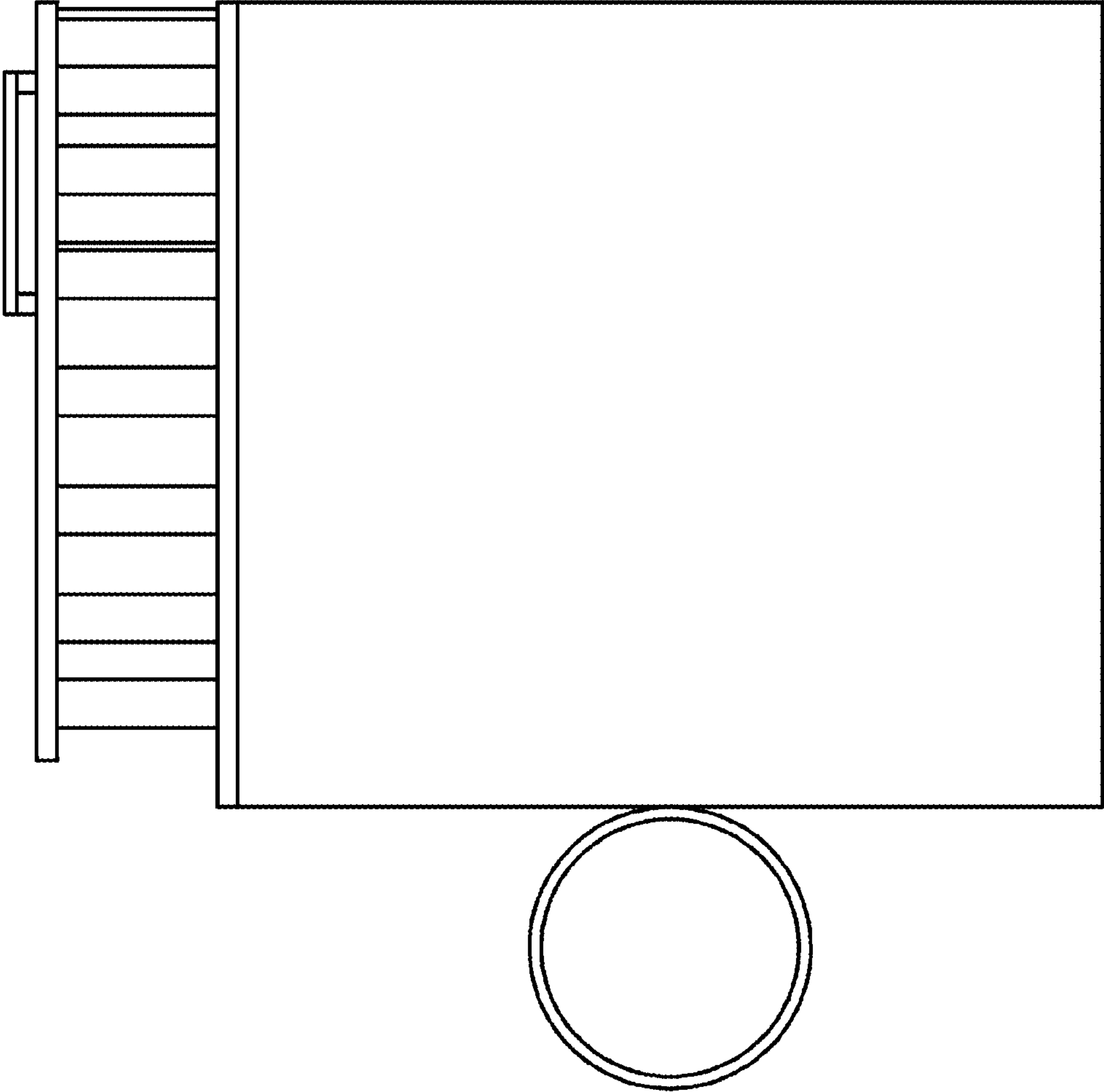


FIG. 04

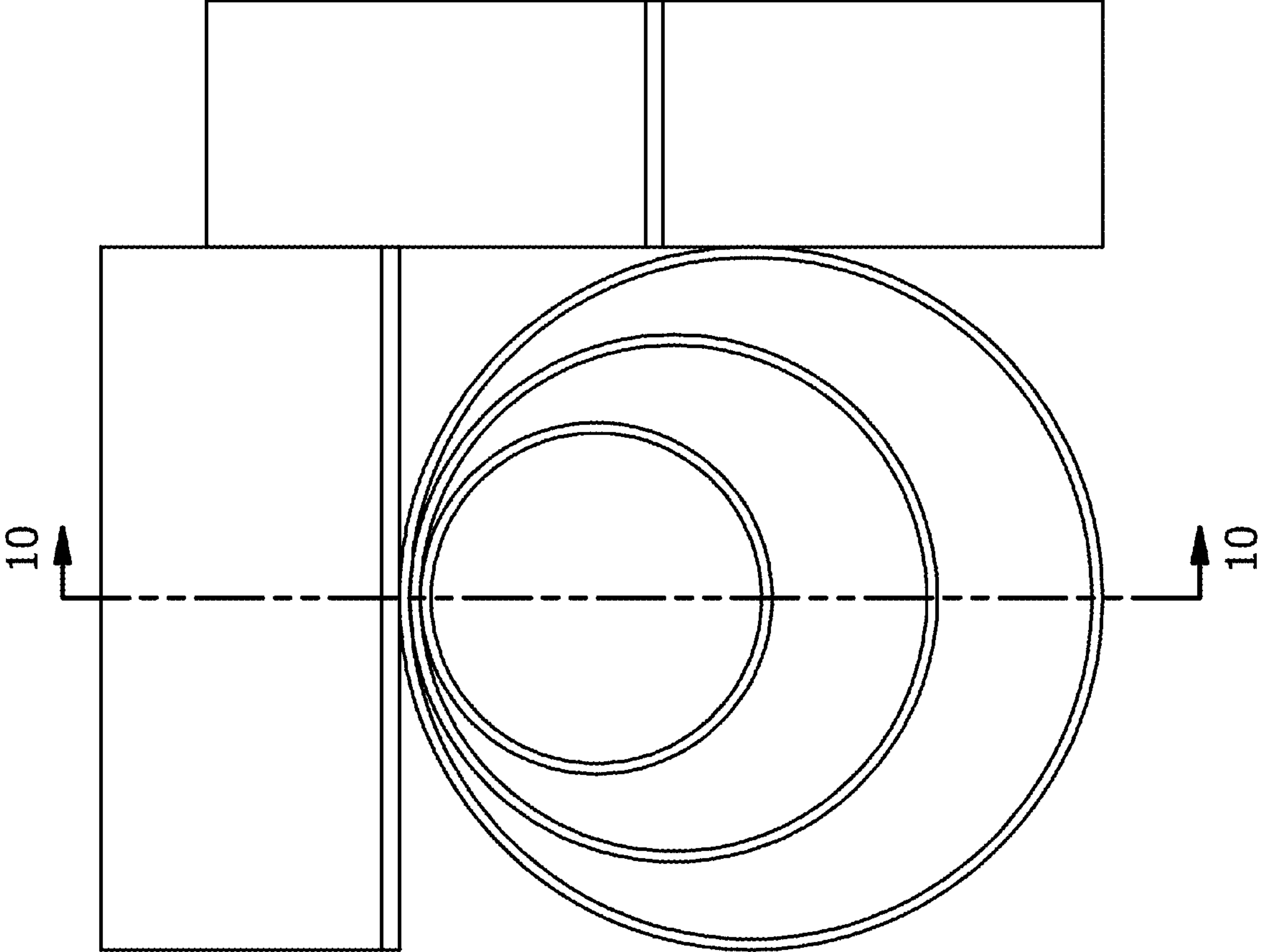


FIG. 05

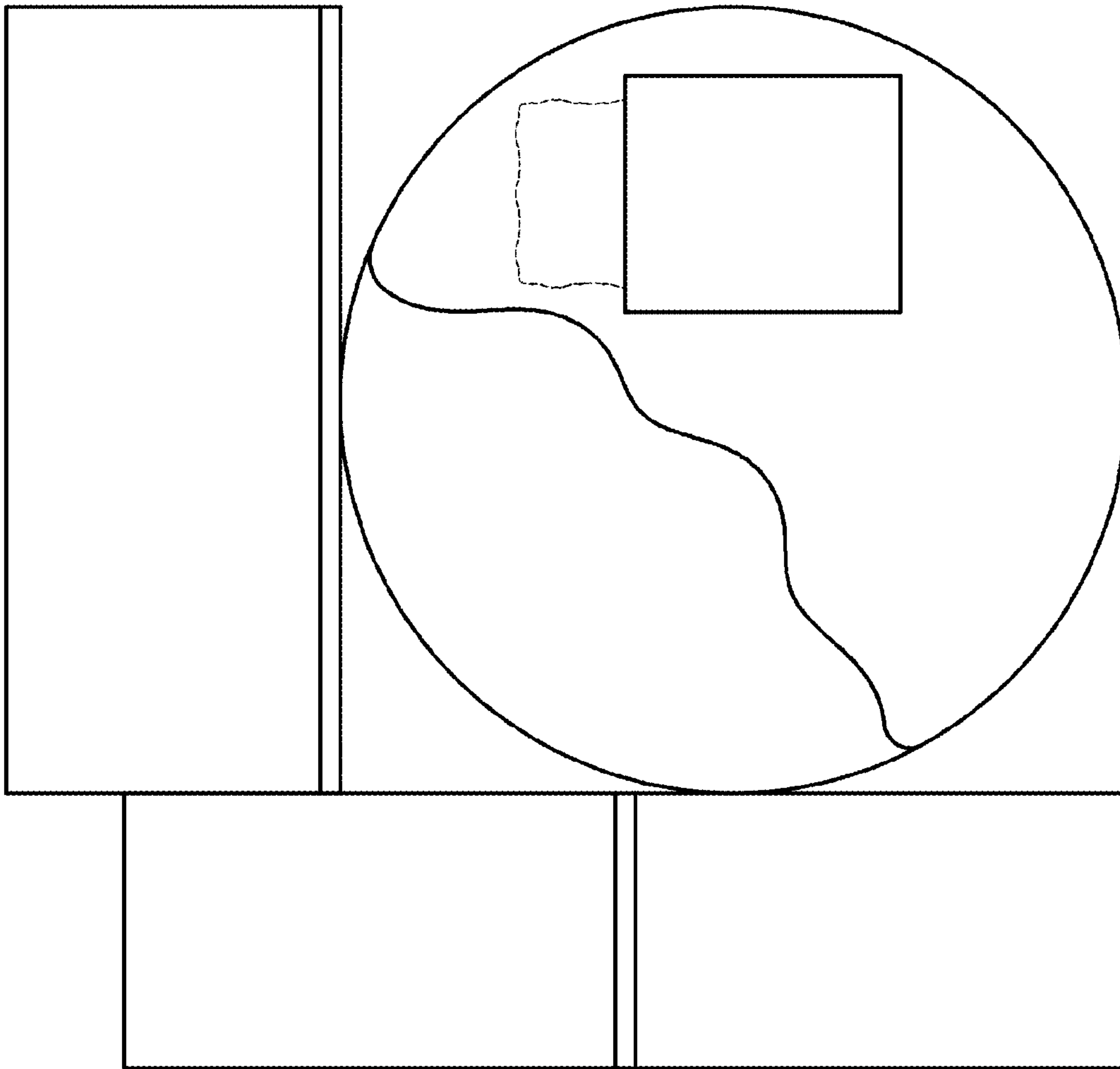


FIG. 06

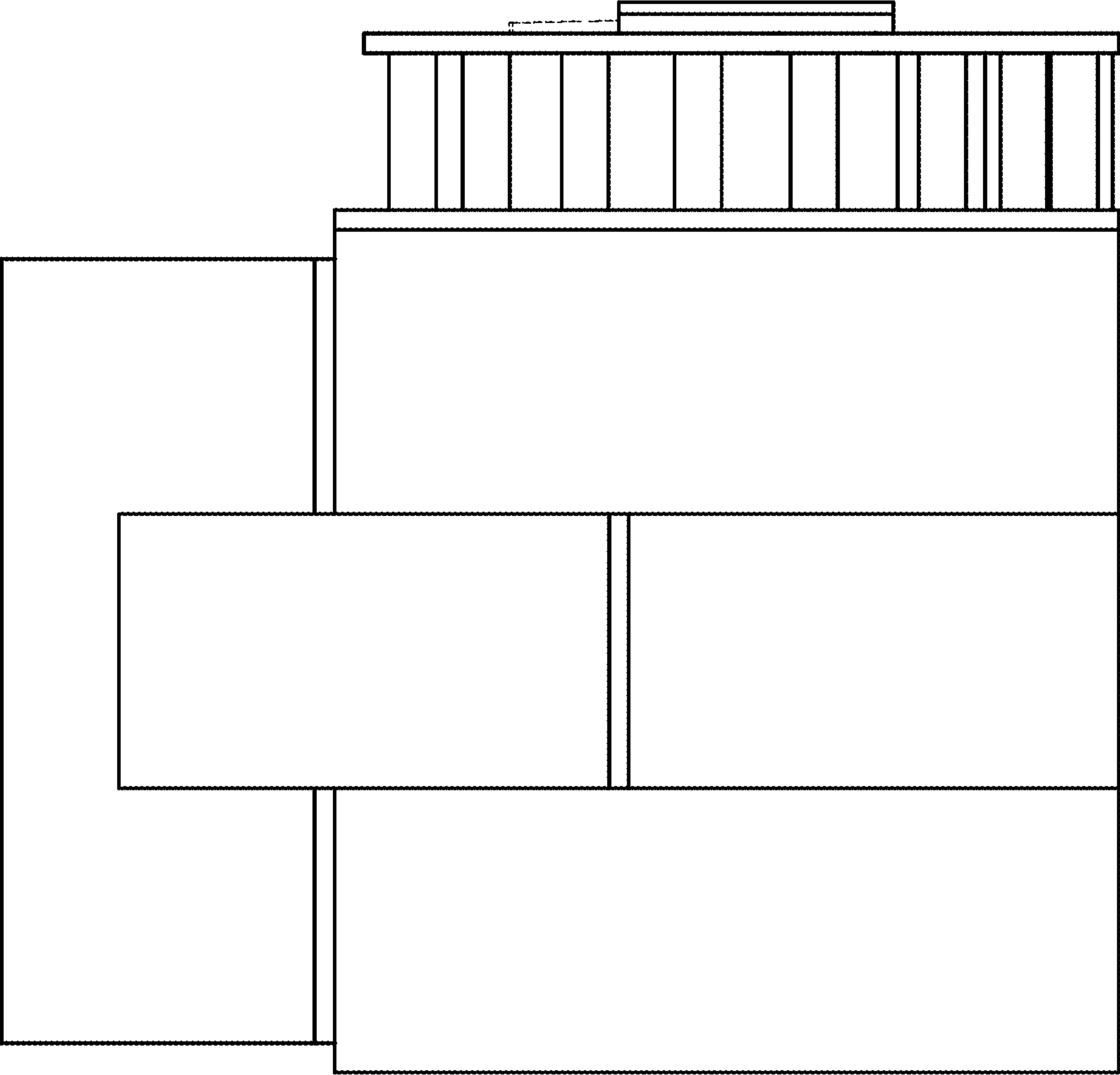


FIG. 07

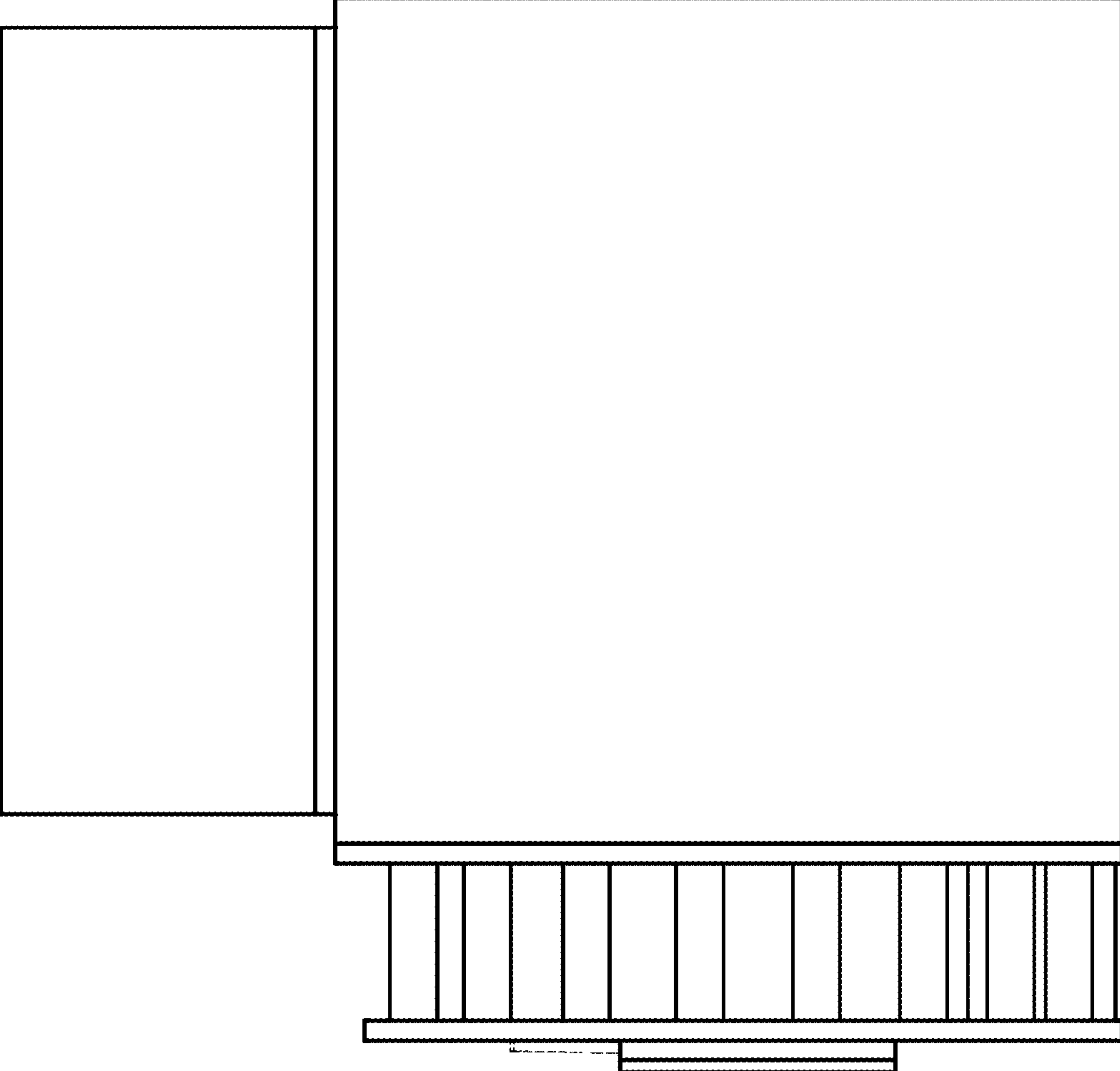


FIG. 08

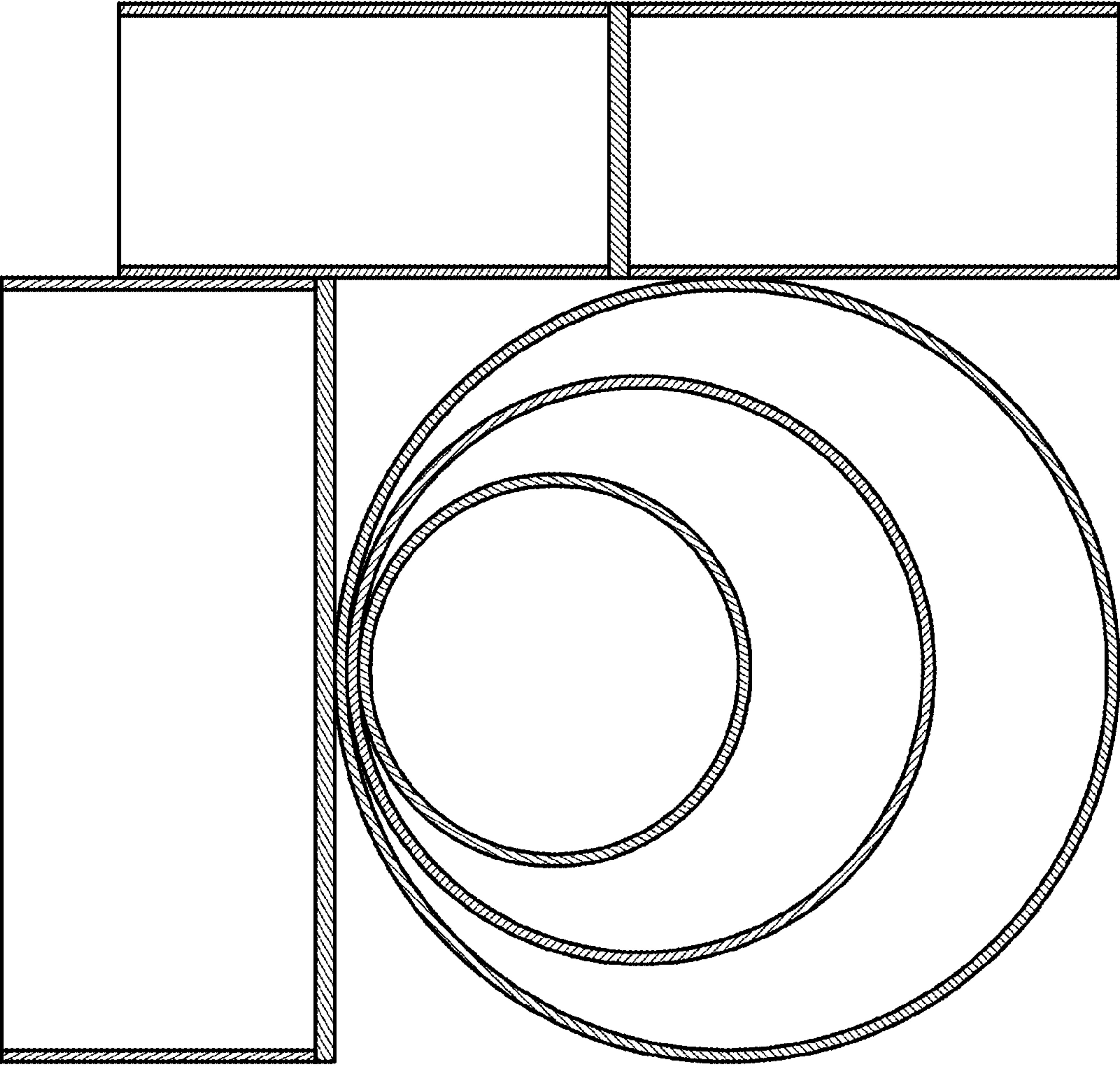


FIG. 09

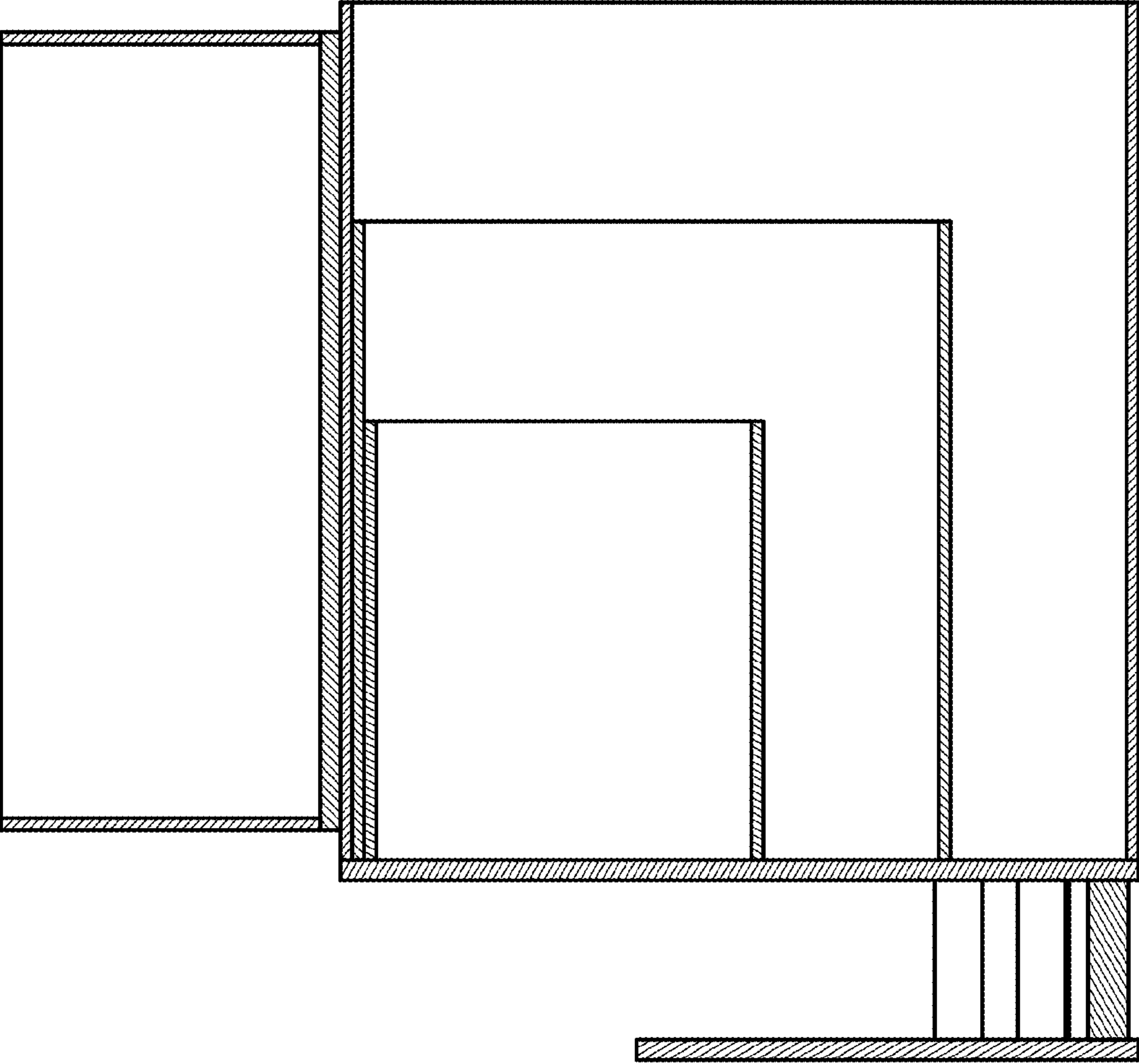


FIG. 10