



US00D873055S

(12) **United States Design Patent**
Kitada

(10) **Patent No.:** **US D873,055 S**

(45) **Date of Patent:** **** Jan. 21, 2020**

- (54) **DESK**
- (71) Applicant: **OKAMURA CORPORATION**,
Yokohama-shi, Kanagawa (JP)
- (72) Inventor: **Kazuhiko Kitada**, Yokohama (JP)
- (73) Assignee: **Okamura Corporation**, Yokohama-shi,
Kanagawa (JP)

- 5,941,182 A * 8/1999 Greene A47B 9/12
108/147
- D452,085 S * 12/2001 Chang D6/652
- D605,434 S * 12/2009 Daino D6/708
- D786,594 S * 5/2017 Yamamoto D6/702
- 9,635,932 B2 * 5/2017 Kelley A47B 21/06
- D833,181 S * 11/2018 Kundig D6/656.1
- D833,182 S * 11/2018 Yamamoto D6/656.17
- D840,726 S * 2/2019 Denby D6/648.2
- D845,679 S * 4/2019 Li D6/656
- 2017/0238714 A1 * 8/2017 Kipling A47B 9/00

- (**) Term: **15 Years**
- (21) Appl. No.: **29/643,056**

* cited by examiner

Primary Examiner — Mary Ann Calabrese

Assistant Examiner — Catherine Ho

- (22) Filed: **Apr. 4, 2018**

(74) *Attorney, Agent, or Firm* — Sughrue Mion, PLLC

(30) **Foreign Application Priority Data**

(57) **CLAIM**

The ornamental design for a desk, as shown and described.

Oct. 12, 2017 (JP) 2017-022536

DESCRIPTION

- (51) **LOC (12) Cl.** **06-03**

- (52) **U.S. Cl.**

USPC **D6/656.17**

- (58) **Field of Classification Search**

USPC D6/641, 642, 648, 648.1, 650, 650.1,
D6/655, 656, 656.1, 656.11, 656.12,
D6/656.13, 656.14, 656.15, 656.16,
D6/656.17, 656.18, 656.19, 675, 686,
D6/688.14, 688.15, 691, 691.5, 691.6,
D6/691.7, 697

CPC A47B 9/00; A47B 9/02; A47B 9/04; A47B
9/12; A47B 2200/0035; A47B 2200/005;
A47B 2200/0056

See application file for complete search history.

FIG. 1 is a perspective view of a desk in an extended position, showing my new design.

FIG. 2 is a front elevation view thereof.

FIG. 3 is a rear elevation view thereof.

FIG. 4 is a right side elevation view thereof. A left side elevation view is a mirror image of the right side elevation view.

FIG. 5 is a top plan view thereof.

FIG. 6 is a bottom plan view thereof.

FIG. 7 is a cross sectional view taken along line 7-7 in FIG. 2.

FIG. 8 is a cross sectional view taken along line 8-8 in FIG. 2, which omits internal structure; and,

FIG. 9 is a perspective view of a desk shown in a collapsed position.

All broken line portions of the figure drawings is included to show portions of the article that form no part of the claimed design.

(56) **References Cited**

U.S. PATENT DOCUMENTS

- D101,100 S * 9/1936 Bate D6/655
- D233,291 S * 10/1974 Frydman D6/656.1
- D240,184 S * 6/1976 Neuschaefer D6/656.1

1 Claim, 9 Drawing Sheets

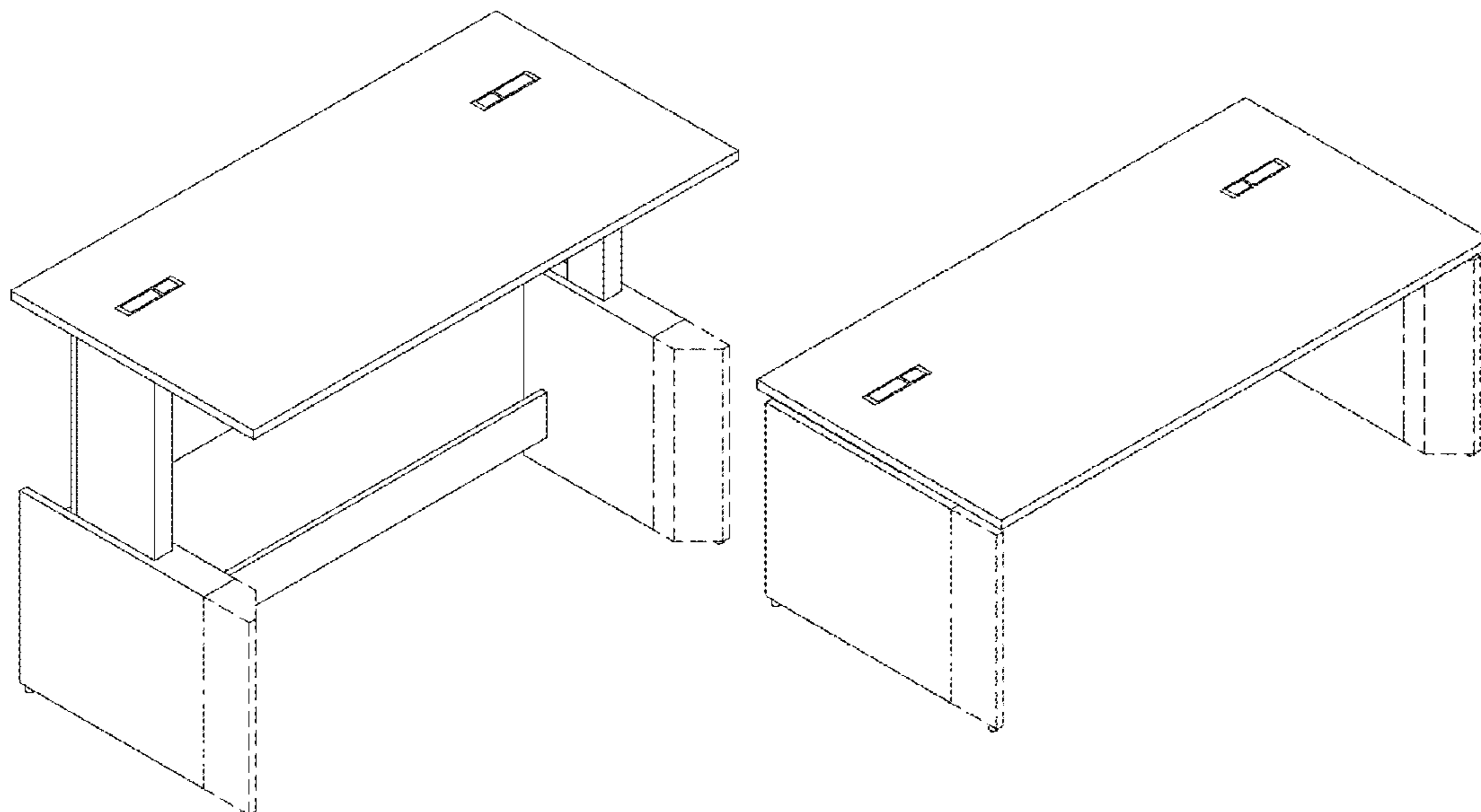


FIG. 1

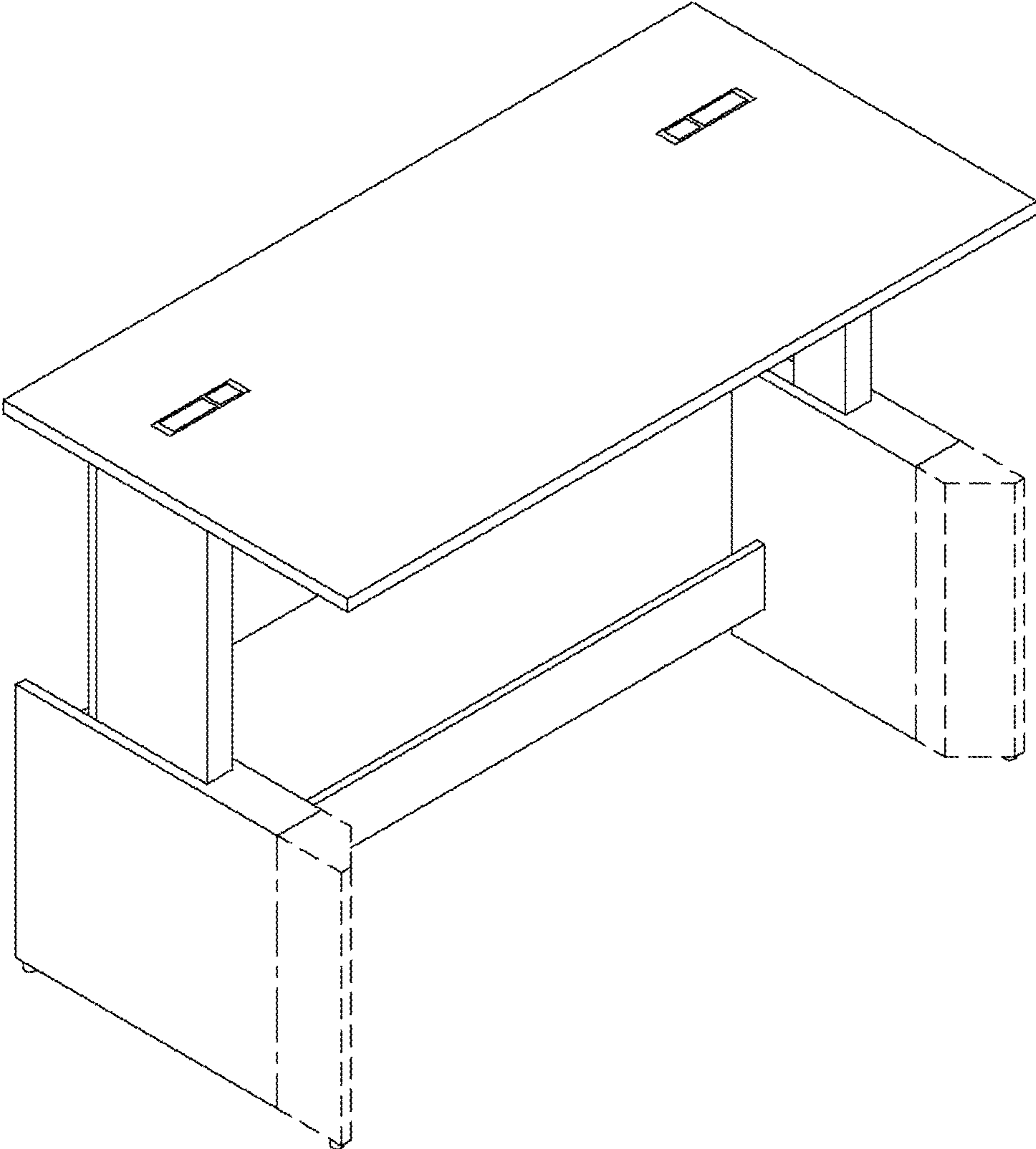


FIG. 2

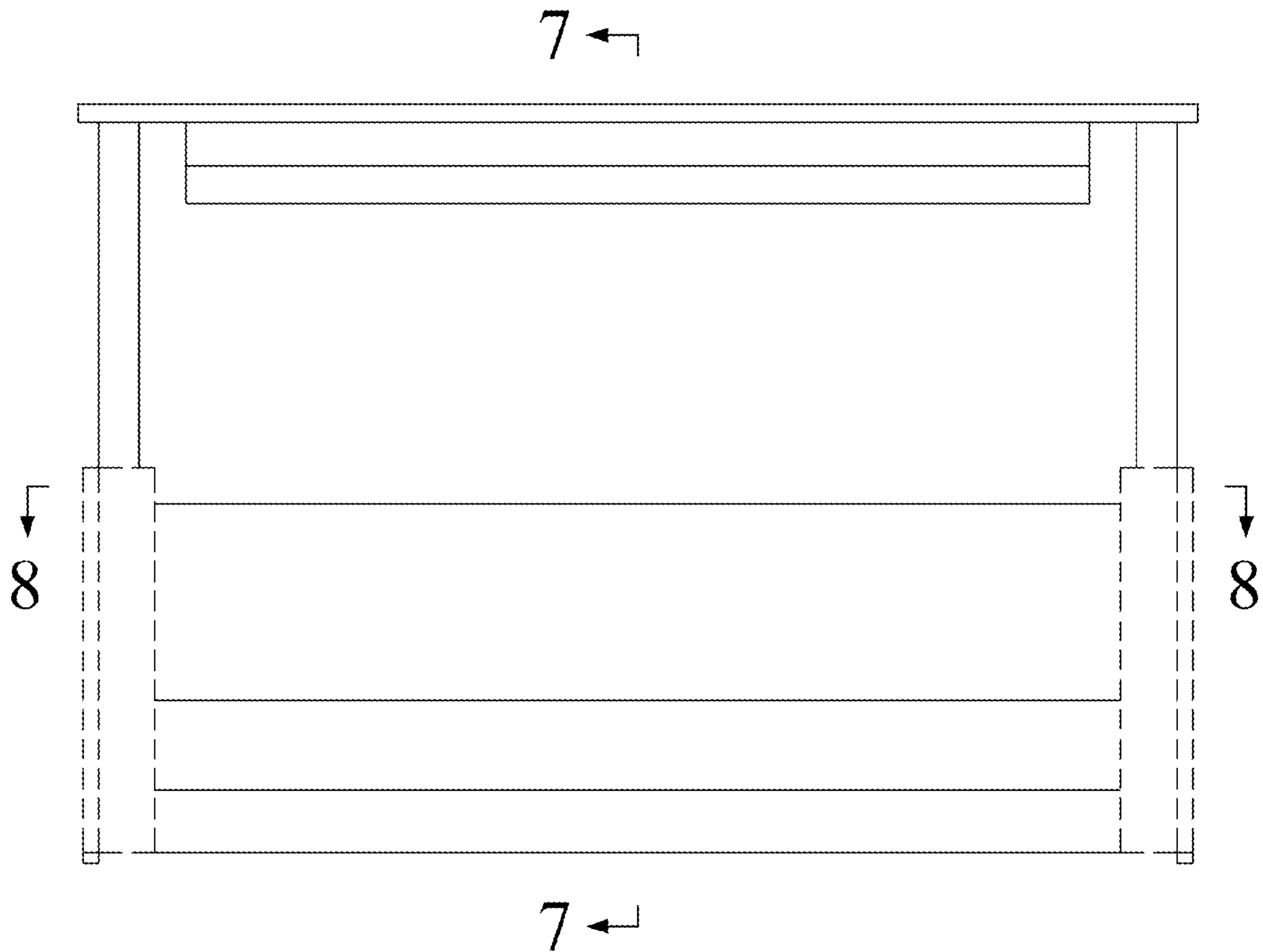


FIG. 3



FIG. 4

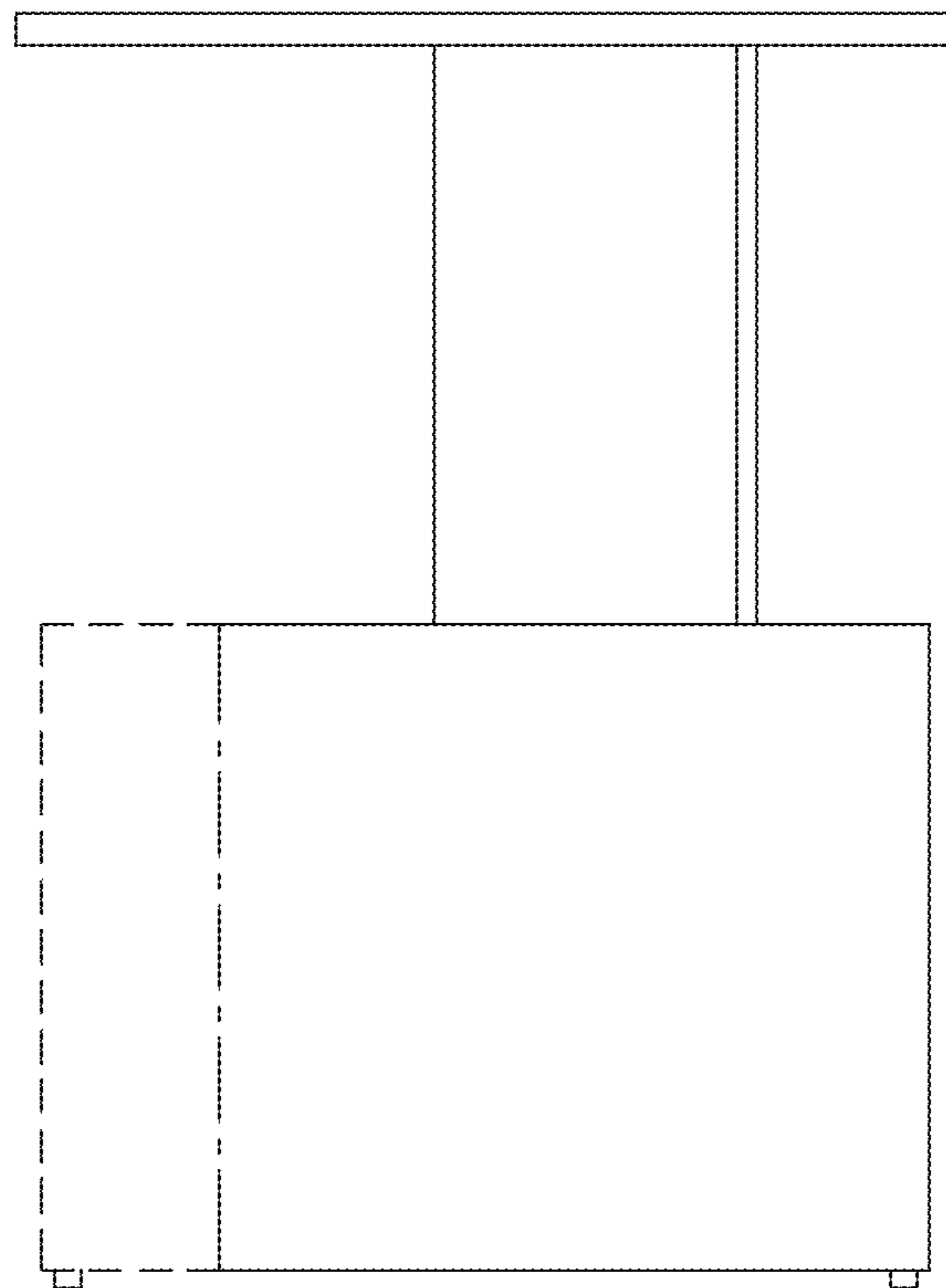


FIG. 5



FIG. 6

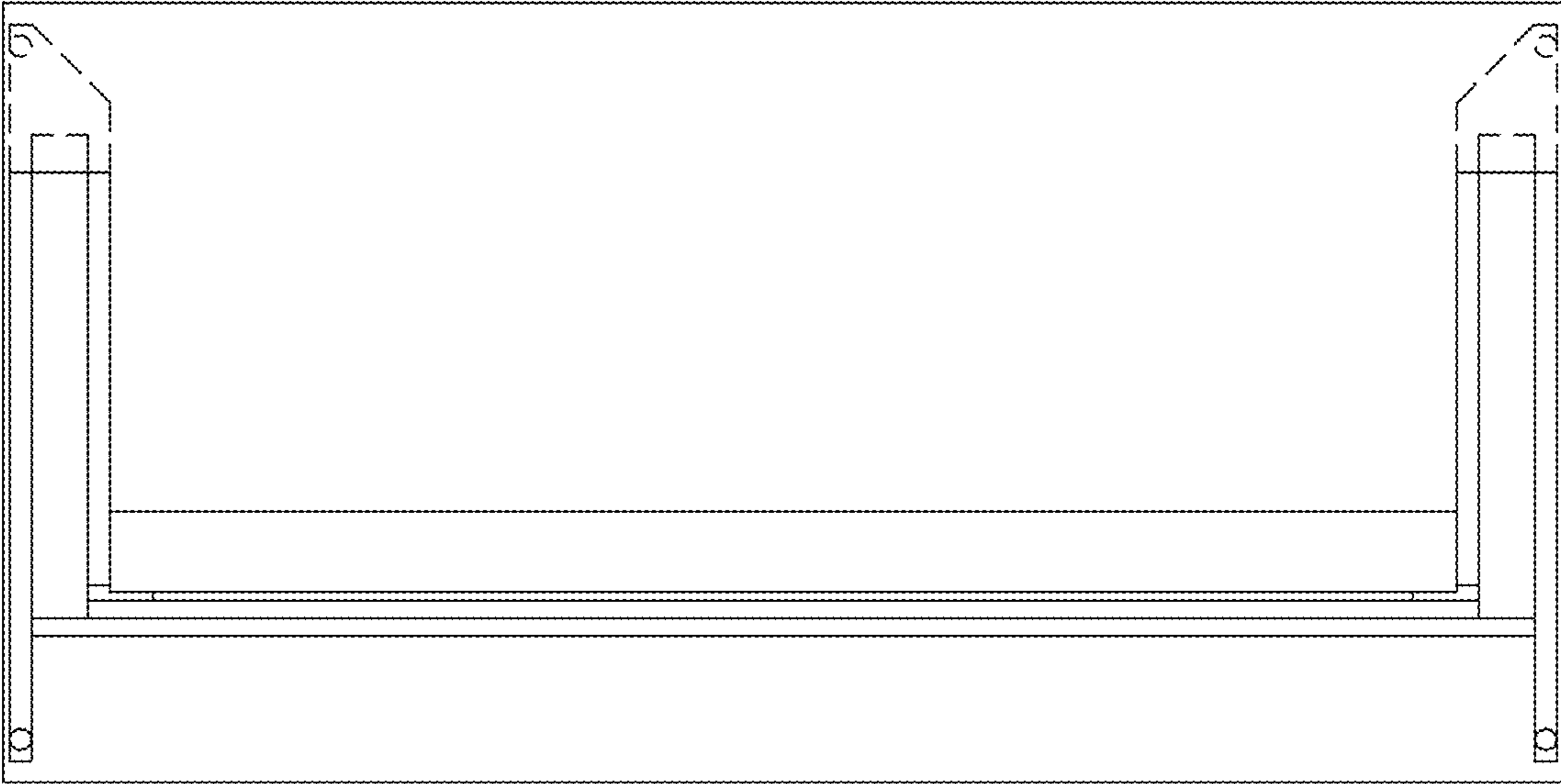


FIG. 7

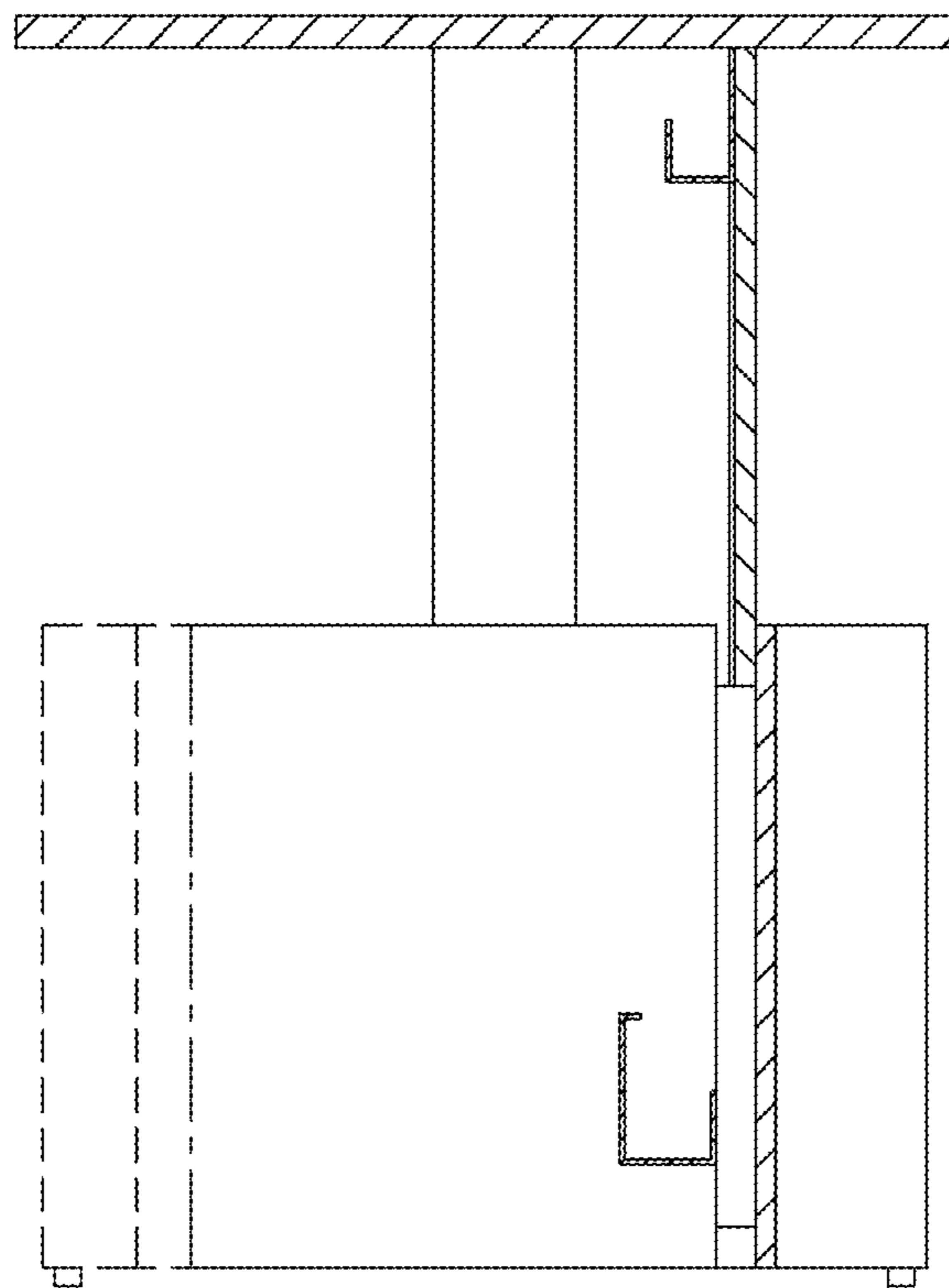


FIG. 8

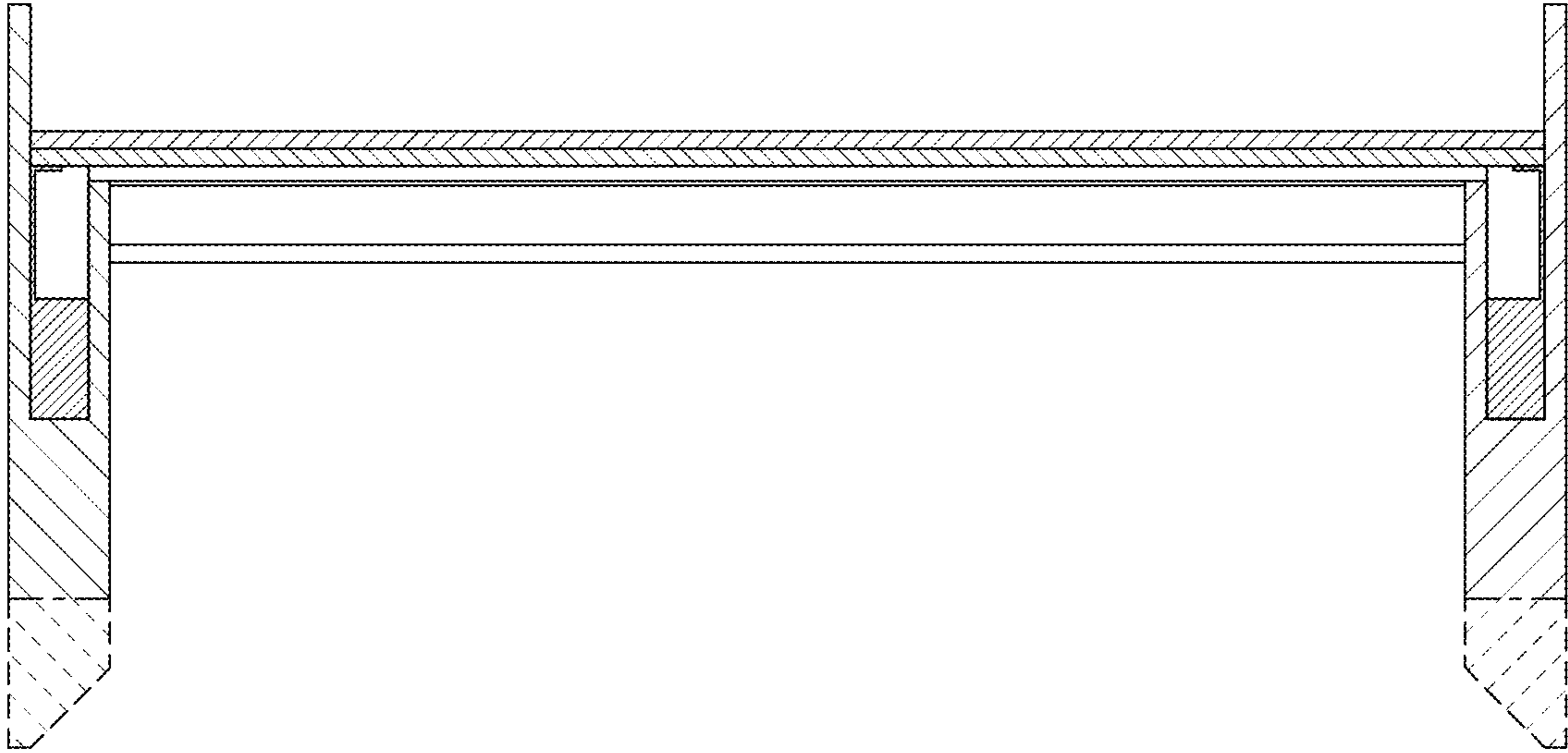


FIG. 9

