



US00D873054S

(12) **United States Design Patent** (10) **Patent No.:** **US D873,054 S**
Bouroullec et al. (45) **Date of Patent:** **** Jan. 21, 2020**

(54) **WORK STATION**
(71) Applicant: **Vitra Patente AG**, Birsfelden (CH)
(72) Inventors: **Erwan Bouroullec**, Paris (FR); **Ronan Bouroullec**, Paris (FR)
(73) Assignee: **Vitra Patente AG** (CH)
(**) Term: **15 Years**
(21) Appl. No.: **29/592,831**
(22) Filed: **Feb. 2, 2017**

D718,945 S 12/2014 Dryburgh et al.
D720,160 S * 12/2014 Lloyd D6/643
D732,850 S 6/2015 Bouroullec et al.
D740,039 S 10/2015 Bouroullec et al.
D740,040 S 10/2015 Bouroullec et al.
D740,058 S 10/2015 Bouroullec et al.
D775,865 S * 1/2017 Bouroullec D6/643
D788,495 S * 6/2017 Bouroullec E04B 2/7437
D6/643.1
D792,130 S * 7/2017 Poranen A47B 9/12
D6/643

(Continued)

OTHER PUBLICATIONS

“Workbays 90,” vitra.com [online], retrieved Sep. 23, 2016, URL: https://www.vitra.com/en-us/_storage/asset/979391/storage/master/file/41428087/download/Workbays90%20Factsheet%20EN.pdf, 16 pages.

Primary Examiner — Mary Ann Calabrese
(74) *Attorney, Agent, or Firm* — Eric L. Sophir; Dentons US LLP

Related U.S. Application Data

(62) Division of application No. 29/506,590, filed on Oct. 17, 2014, now Pat. No. Des. 788,495.
(51) **LOC (12) Cl.** **06-03**
(52) **U.S. Cl.**
USPC **D6/643.1**
(58) **Field of Classification Search**
USPC D6/329, 332, 641–643, 643.1, 694;
D25/58
CPC A47B 7/00; A47B 81/00; A47B 96/04;
A47B 96/20; A47B 2200/01; A47B
2200/006; A47B 2200/0069; A47B
2200/0071; A47B 2200/007; A47B 9/12;
A47B 21/00; A47B 87/00; E04B 2/72;
E04B 2/7416; E04B 2/7437
See application file for complete search history.

(57) **CLAIM**

The ornamental design for a work station, as shown and described.

DESCRIPTION

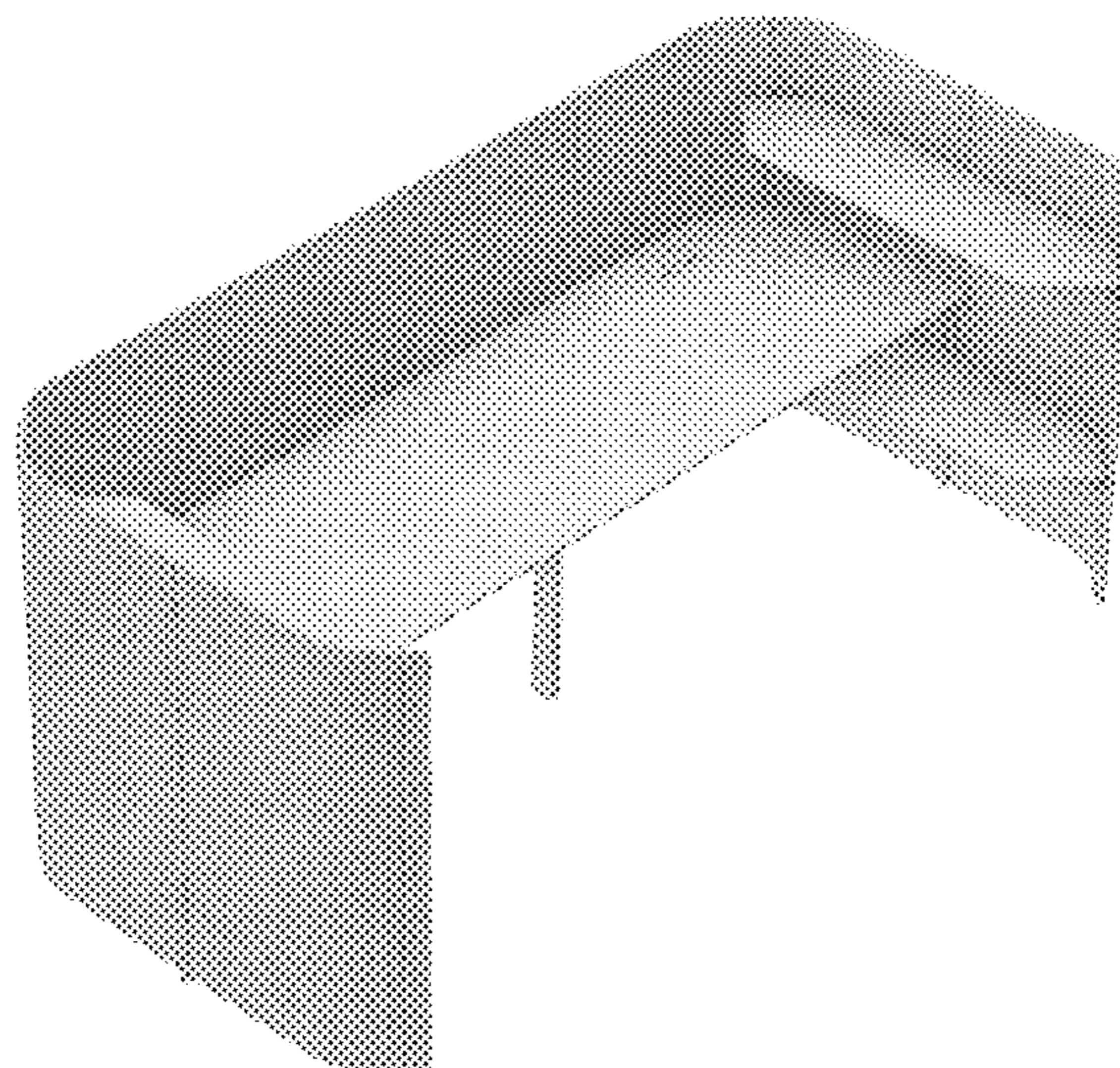
FIG. 1 shows a top, front, left perspective view of another embodiment of a work station element;
FIG. 2 shows a top, front perspective view thereof;
FIG. 3 shows a rear, left perspective view thereof;
FIG. 4 shows a top view thereof;
FIG. 5 shows a front view thereof;
FIG. 6 shows a rear view thereof;
FIG. 7 shows a right view thereof; and,
FIG. 8 shows a left view thereof.
The broken lines showing of portions of the work station illustrate unclaimed portions of the work station, and form no part of the claimed design.

(56) **References Cited**

U.S. PATENT DOCUMENTS

D208,413 S * 8/1967 Ball D6/332
D225,871 S * 1/1973 Crannell D6/643
D249,609 S * 9/1978 Kramer D6/643
D252,635 S 8/1979 Richgels
D304,529 S 11/1989 Hontz
D376,278 S 12/1996 Zivari
D492,503 S * 7/2004 Gower D6/643

1 Claim, 8 Drawing Sheets



(56)

References Cited

U.S. PATENT DOCUMENTS

D796,871 S * 9/2017 Bouroullec A47B 9/02
D6/643
10,098,451 B2 * 10/2018 Keller A47B 9/02
10,104,955 B2 * 10/2018 Keller A47B 9/12
2015/0300010 A1 * 10/2015 Loffler E04B 2/7437
52/36.5

* cited by examiner

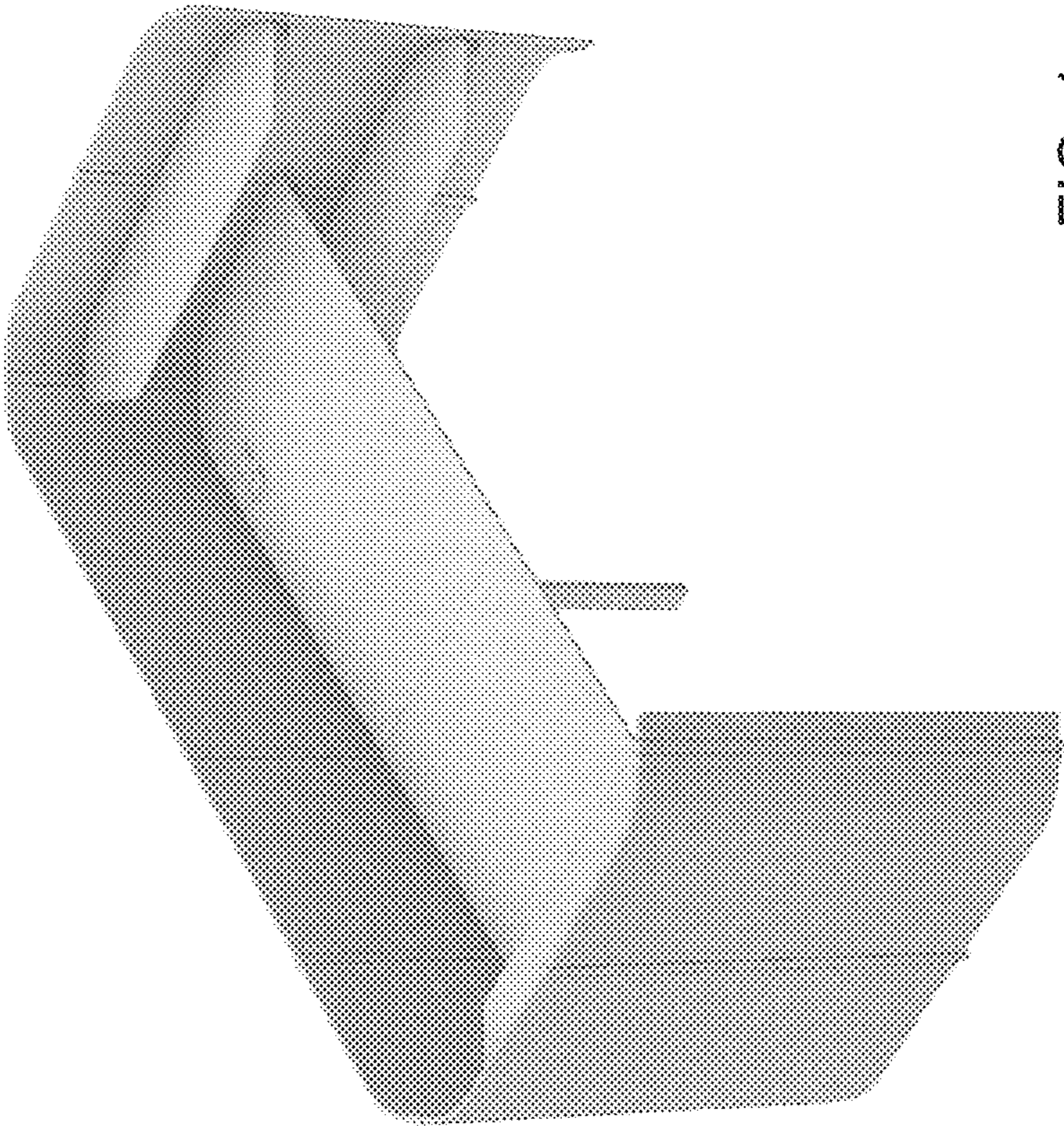


FIG. 1

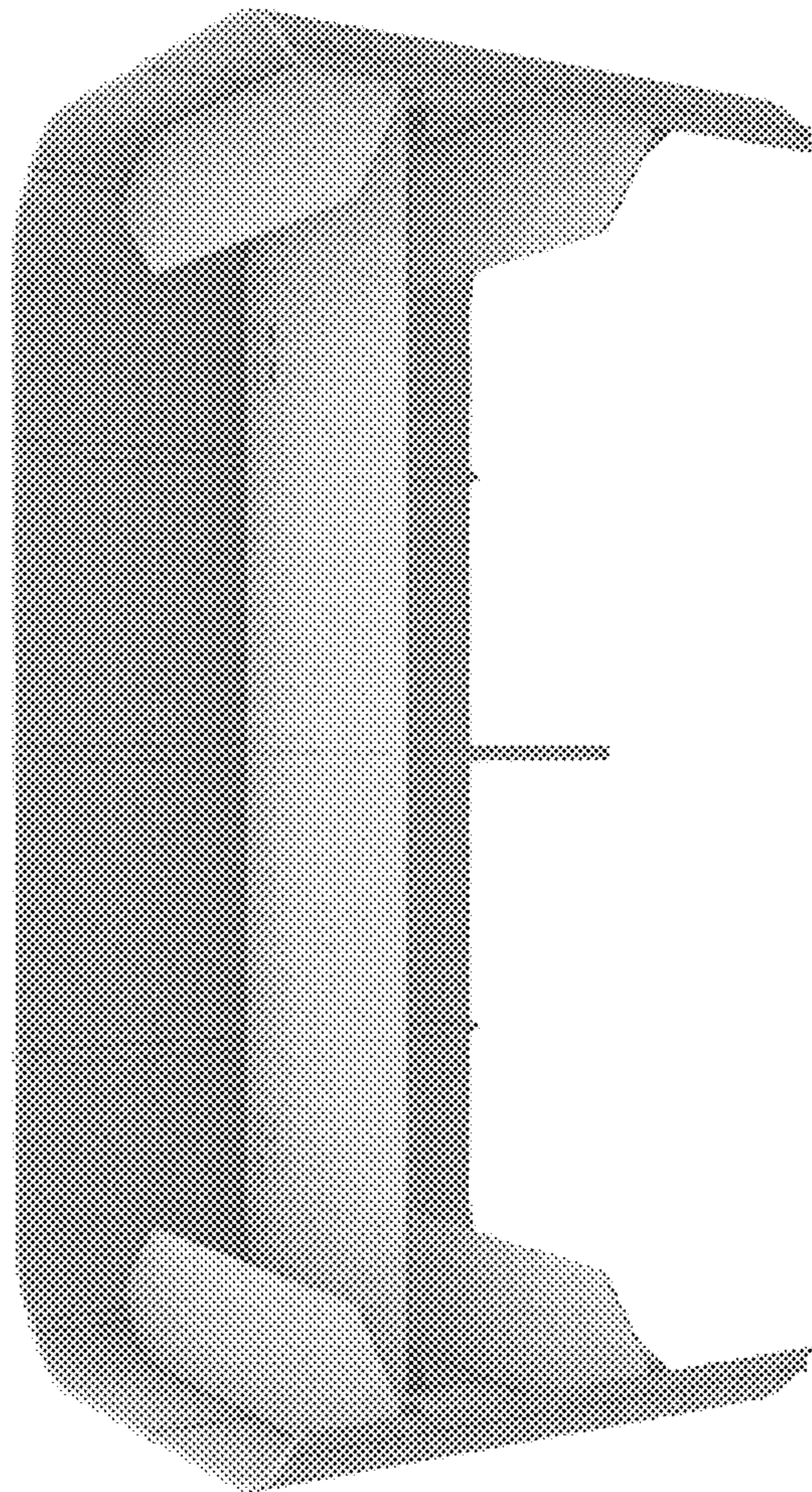


FIG. 2

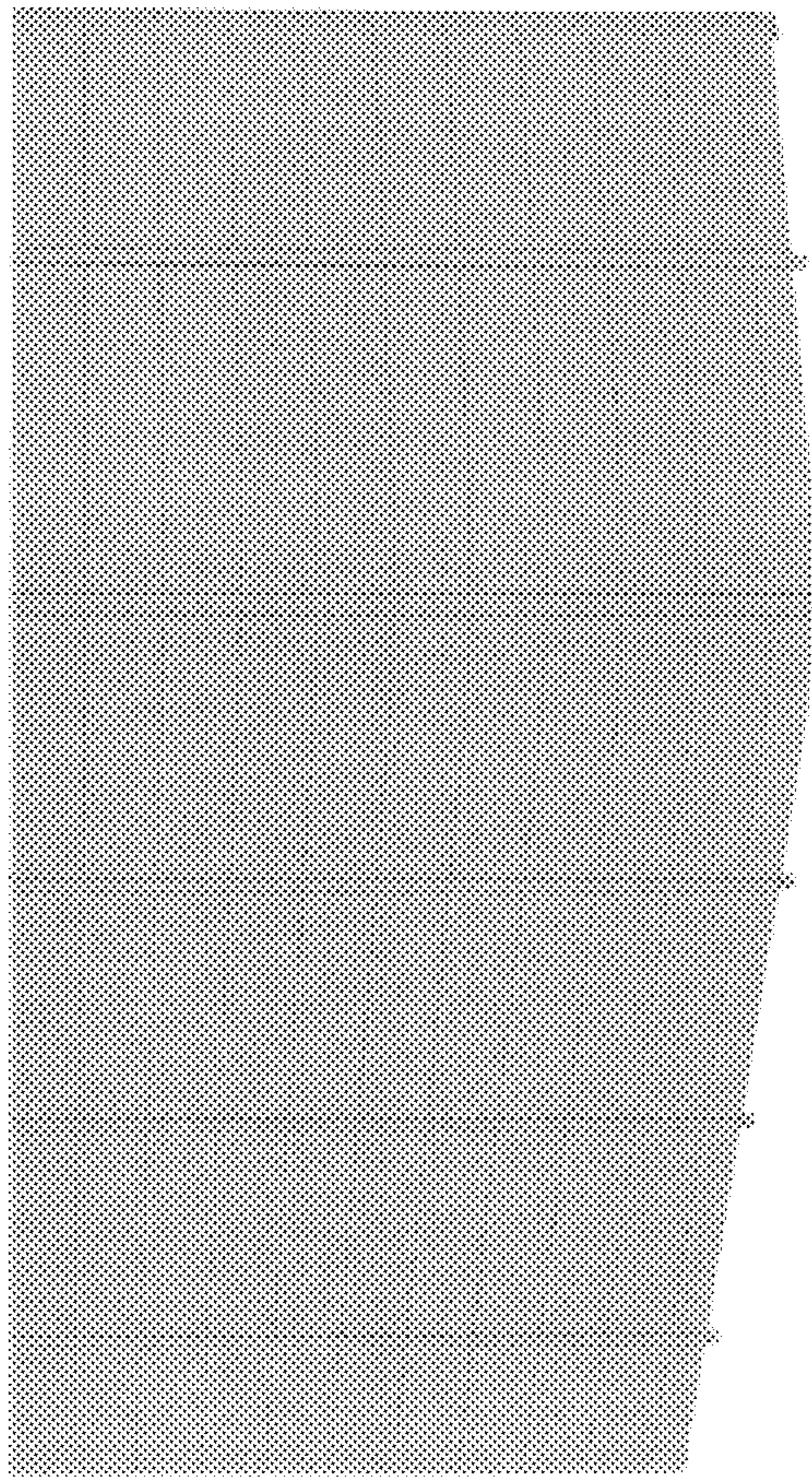


FIG. 3

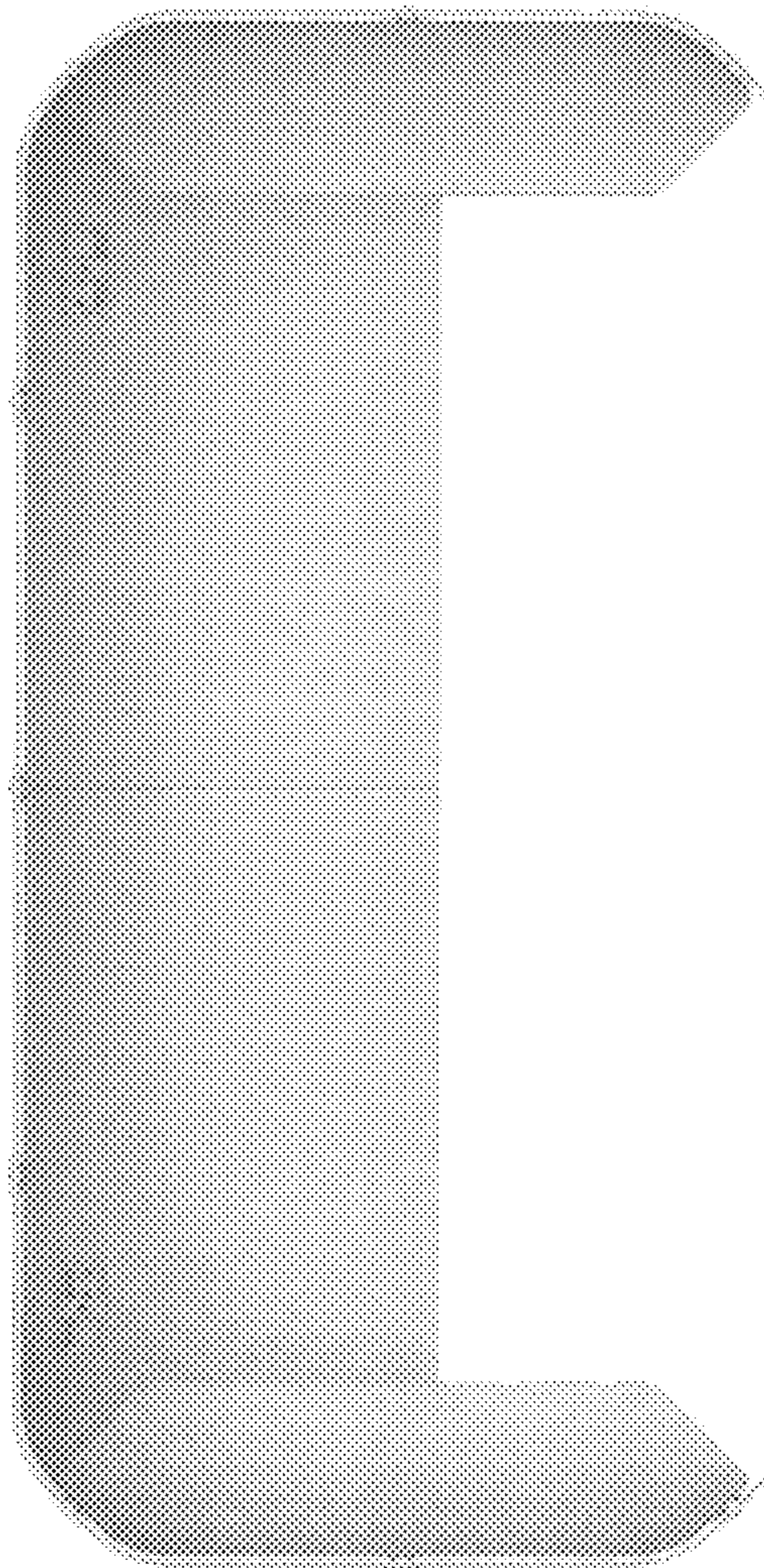


FIG. 4

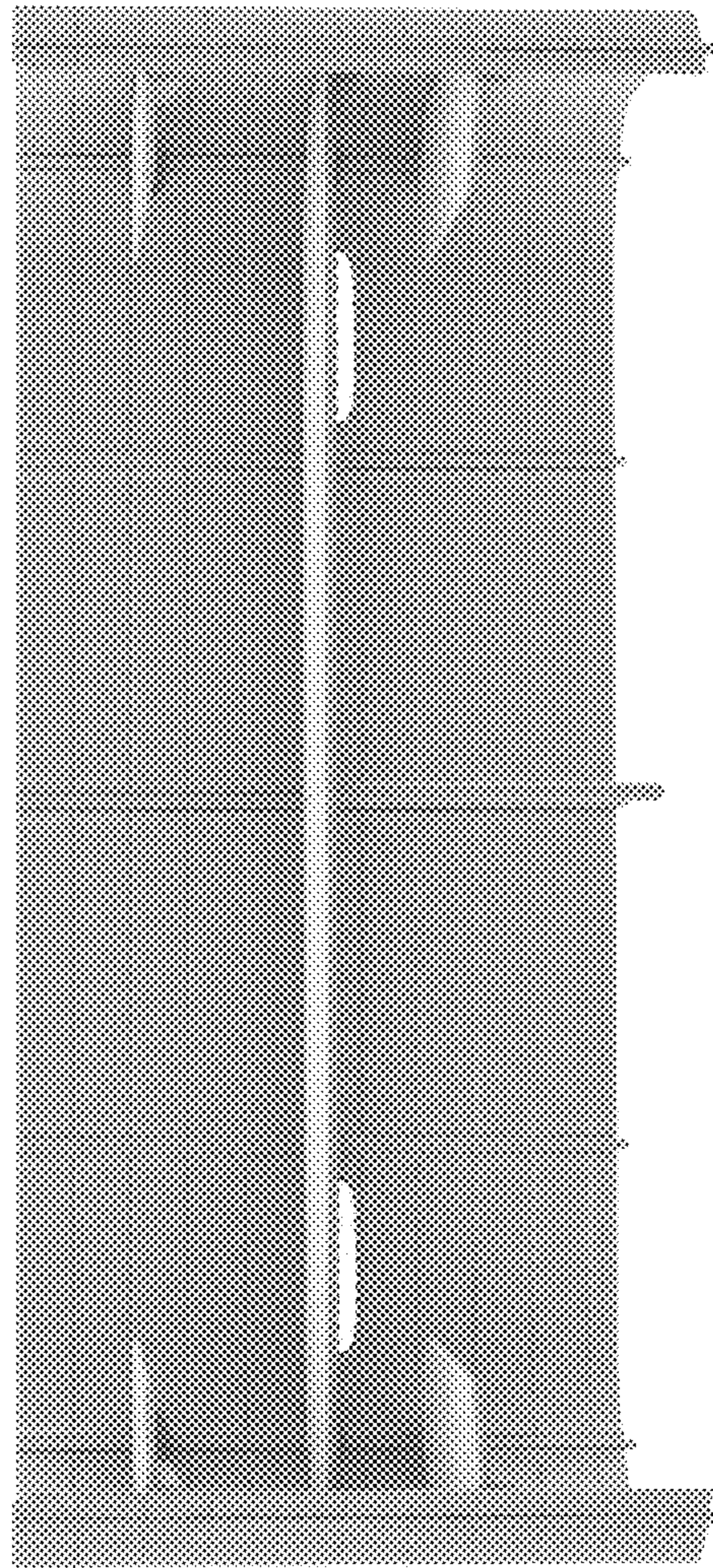


FIG. 5

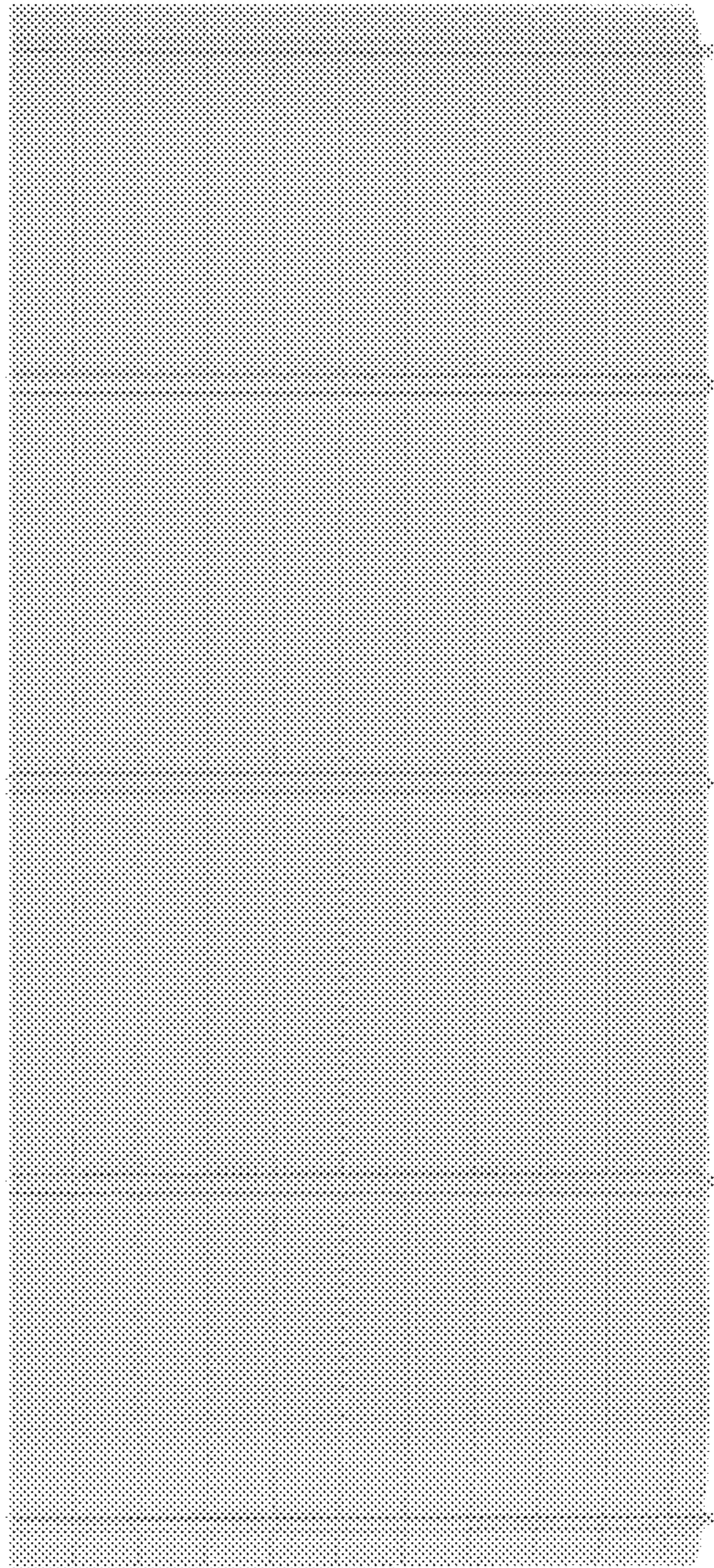


FIG. 6

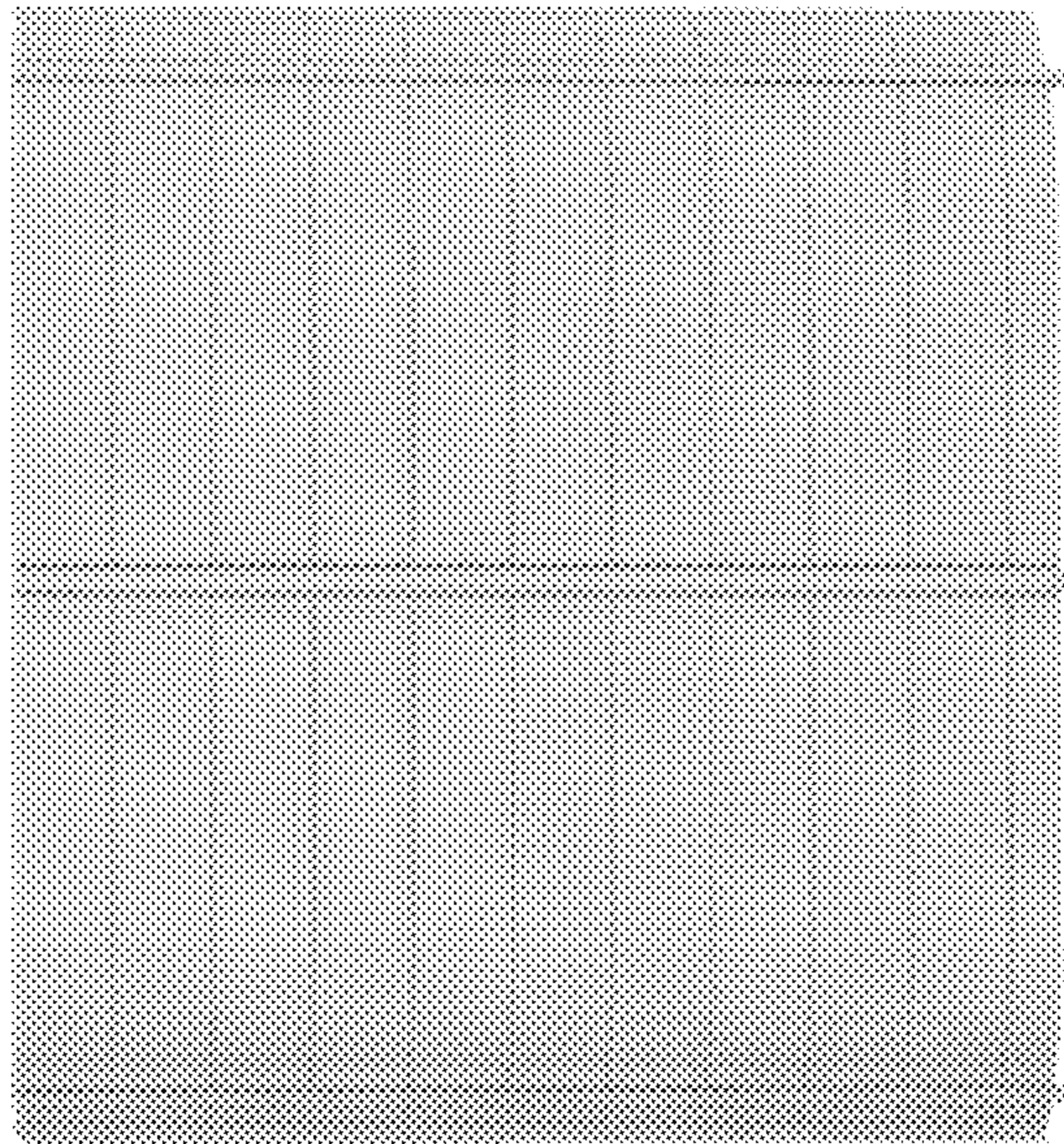


FIG. 7

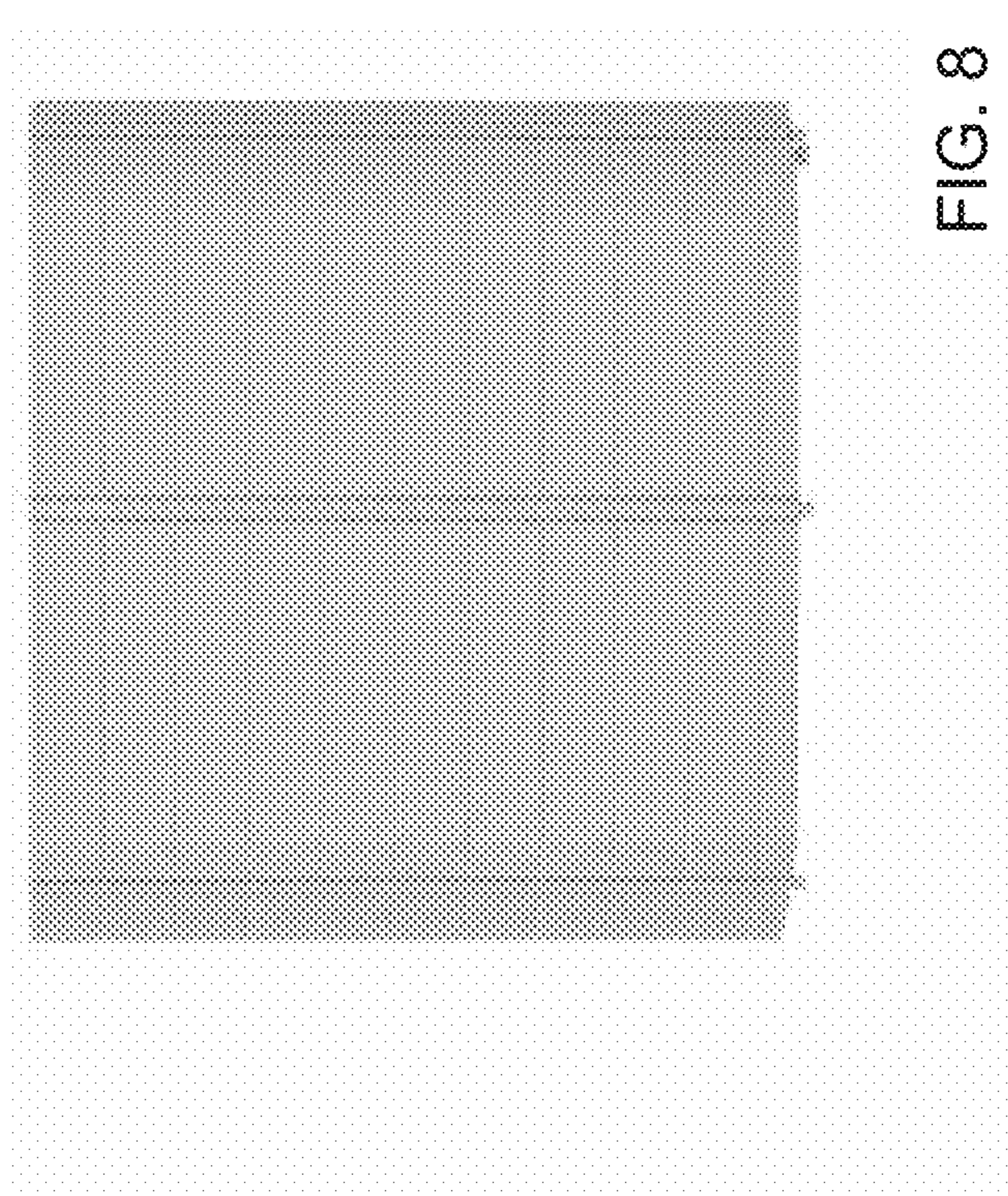


FIG. 8