



US00D873053S

(12) **United States Design Patent**
Wolf

(10) **Patent No.:** **US D873,053 S**
(45) **Date of Patent:** **** Jan. 21, 2020**

- (54) **NESTABLE VOTING BOOTH**
- (71) Applicant: **Andrew Wolf**, Long Beach, NY (US)
- (72) Inventor: **Andrew Wolf**, Long Beach, NY (US)
- (**) Term: **15 Years**
- (21) Appl. No.: **29/688,656**
- (22) Filed: **Apr. 23, 2019**

D622,975	S	*	9/2010	Abel	D6/643
D671,764	S	*	12/2012	Pazhoor	D6/643
D671,765	S	*	12/2012	Pazhoor	D6/643
D671,766	S	*	12/2012	Pazhoor	D6/643
D671,767	S	*	12/2012	Pazhoor	D6/643
D671,768	S	*	12/2012	Pazhoor	D6/643
8,539,887	B2	*	9/2013	Pazhoor	E04H 1/1255 108/6
D854,357	S	*	7/2019	Wolf	D6/643
2010/0224105	A1	*	9/2010	Abel	A47B 7/02 108/91
2013/0063007	A1	*	3/2013	Pazhoor	E04H 1/1255 312/237

Related U.S. Application Data

- (63) Continuation-in-part of application No. 29/628,391, filed on Dec. 4, 2017, now Pat. No. Des. 854,357.
- (51) **LOC (12) Cl.** **06-06**
- (52) **U.S. Cl.**
USPC **D6/643; D6/709**
- (58) **Field of Classification Search**
USPC D6/640, 641, 642, 643, 643.1, 644, 648, D6/648.1, 648.3, 648.4, 649, 650, 651, D6/652, 655, 655.1, 655.11, 656, 668, D6/685, 688.11, 688.21, 688.27, 690, D6/695, 698, 696.1, 700, 709, 709.22
CPC A47B 9/00; A47B 9/04; A47B 9/06; A47B 3/08; A47B 21/00; A47B 21/02; A47B 21/06; A47B 21/007; A47B 21/0314; A47B 2009/185; A47B 2200/0013; A47B 2200/0026; A47B 2200/0085; A47B 2200/0087
See application file for complete search history.

* cited by examiner

Primary Examiner — Mary Ann Calabrese
Assistant Examiner — Catherine Ho
(74) *Attorney, Agent, or Firm* — Melgar IP Law; Tod M. Melgar

(57) **CLAIM**

I claim the ornamental design for a nestable voting booth, as shown and described.

DESCRIPTION

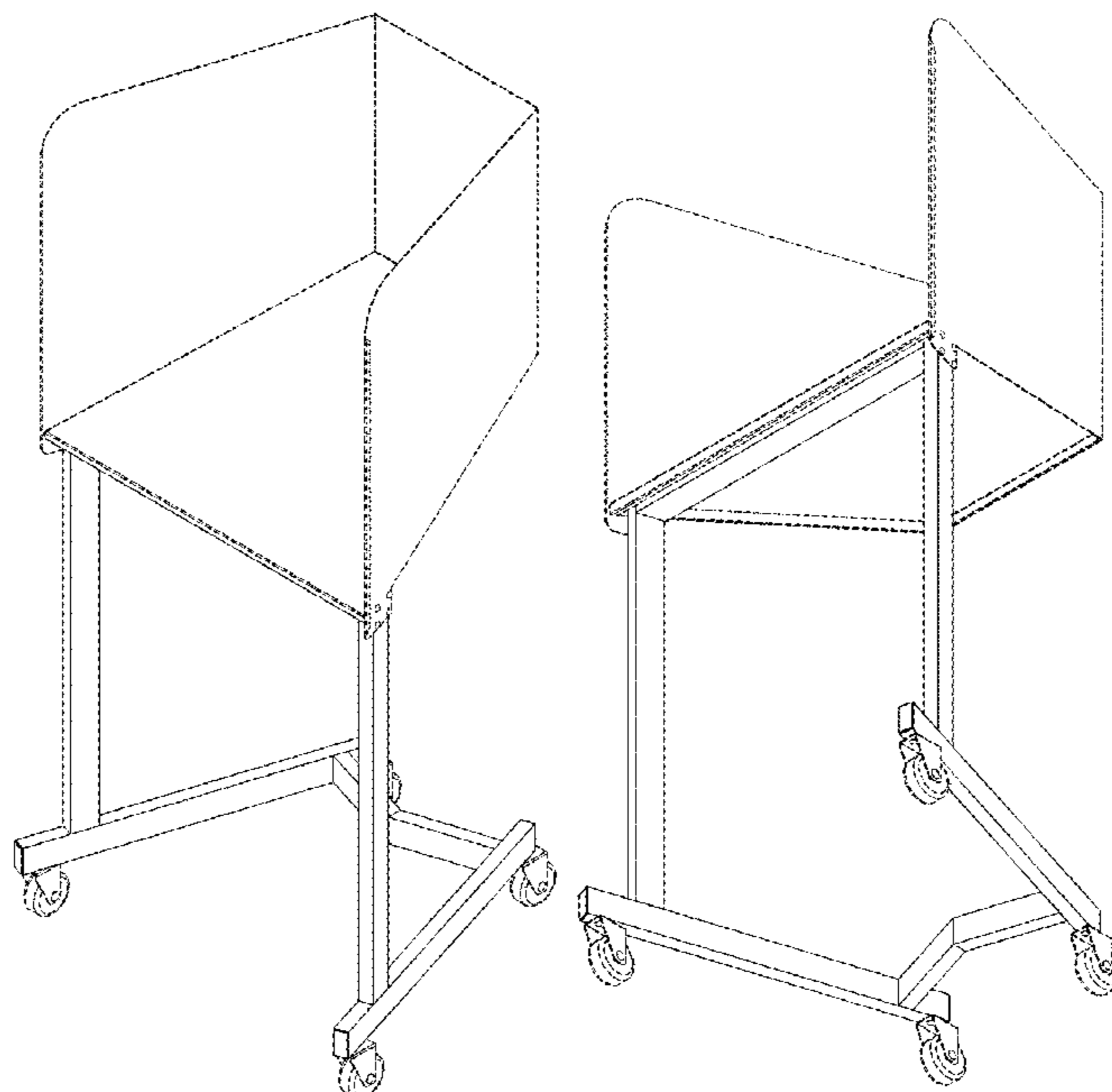
FIG. 1 is a front view of the nestable voting booth.
FIG. 2 is a back view of the nestable voting booth.
FIG. 3 is a left side view of the nestable voting booth.
FIG. 4 is a right side view of the nestable voting booth.
FIG. 5 is a top view of the nestable voting booth.
FIG. 6 is a bottom view of the nestable voting booth.
FIG. 7 is a top side perspective view of the nestable voting booth; and,
FIG. 8 is a bottom side perspective view of the nestable voting booth.
The broken line portions of the figures are included to show environment that forms no part of the claimed design.

(56) **References Cited**

U.S. PATENT DOCUMENTS

D603,183	S	*	11/2009	Abel	D6/643
D603,621	S	*	11/2009	Abel	D6/643
D616,667	S	*	6/2010	Pazhoor	D6/643

1 Claim, 7 Drawing Sheets



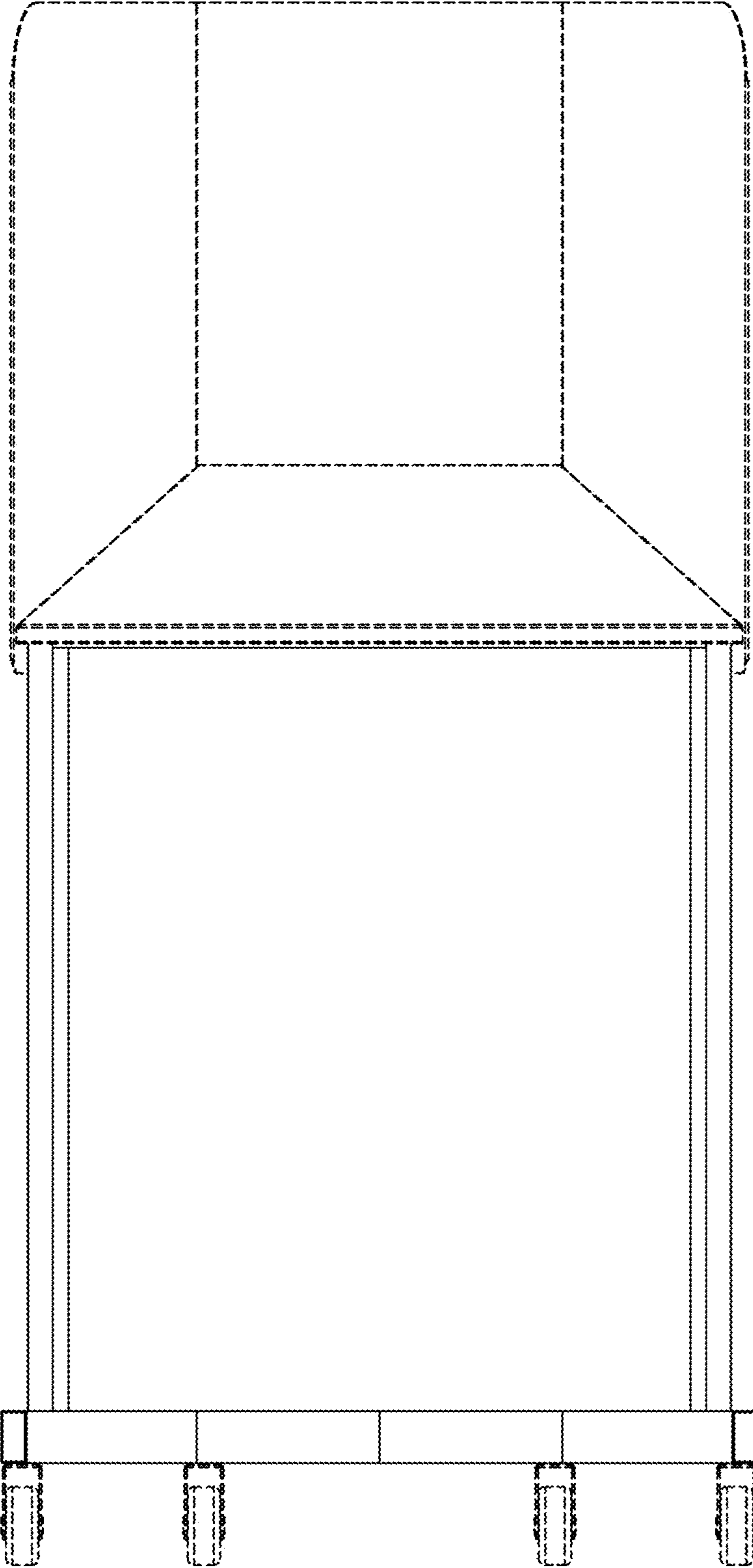


FIG. 1

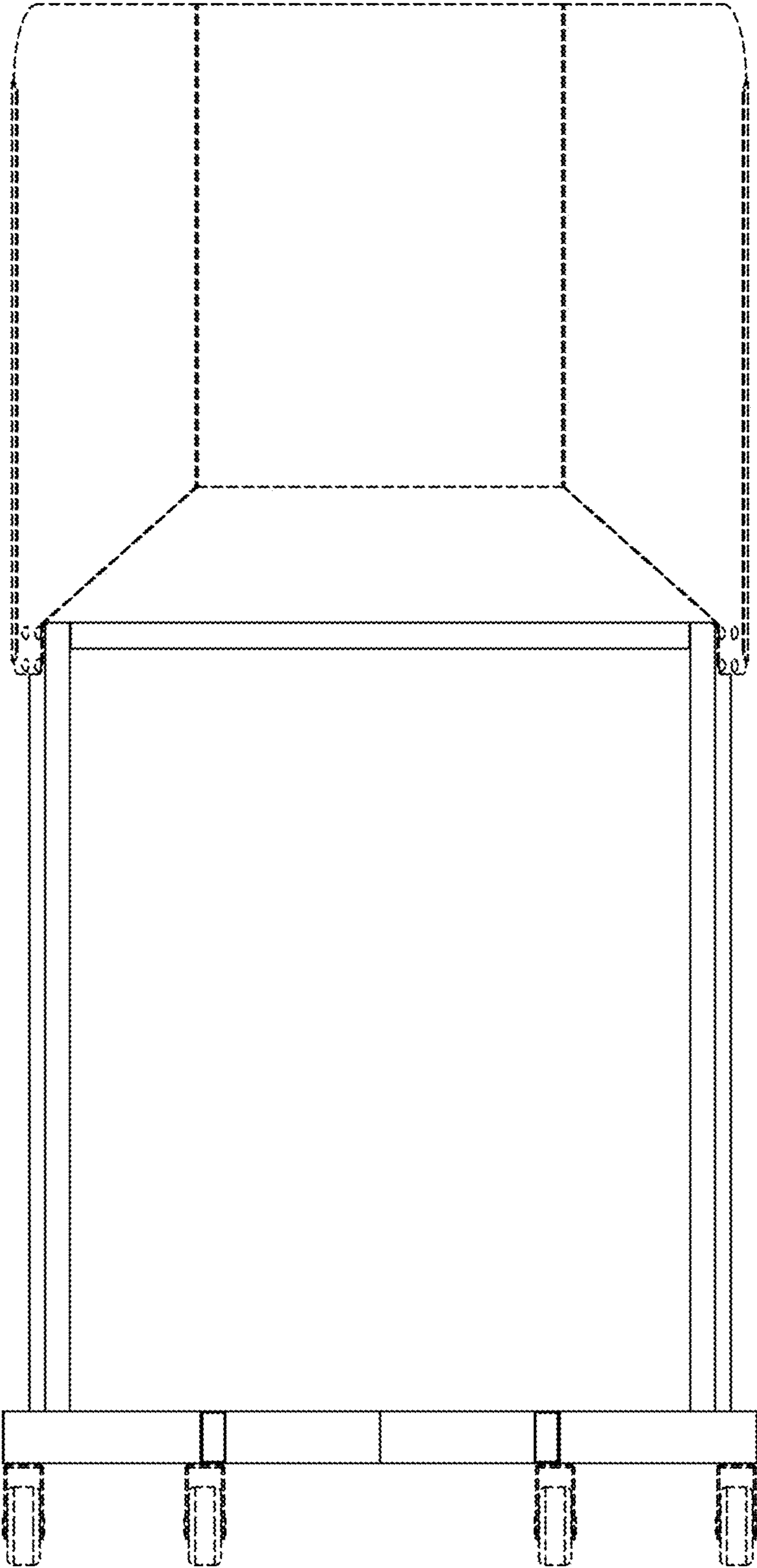


FIG. 2

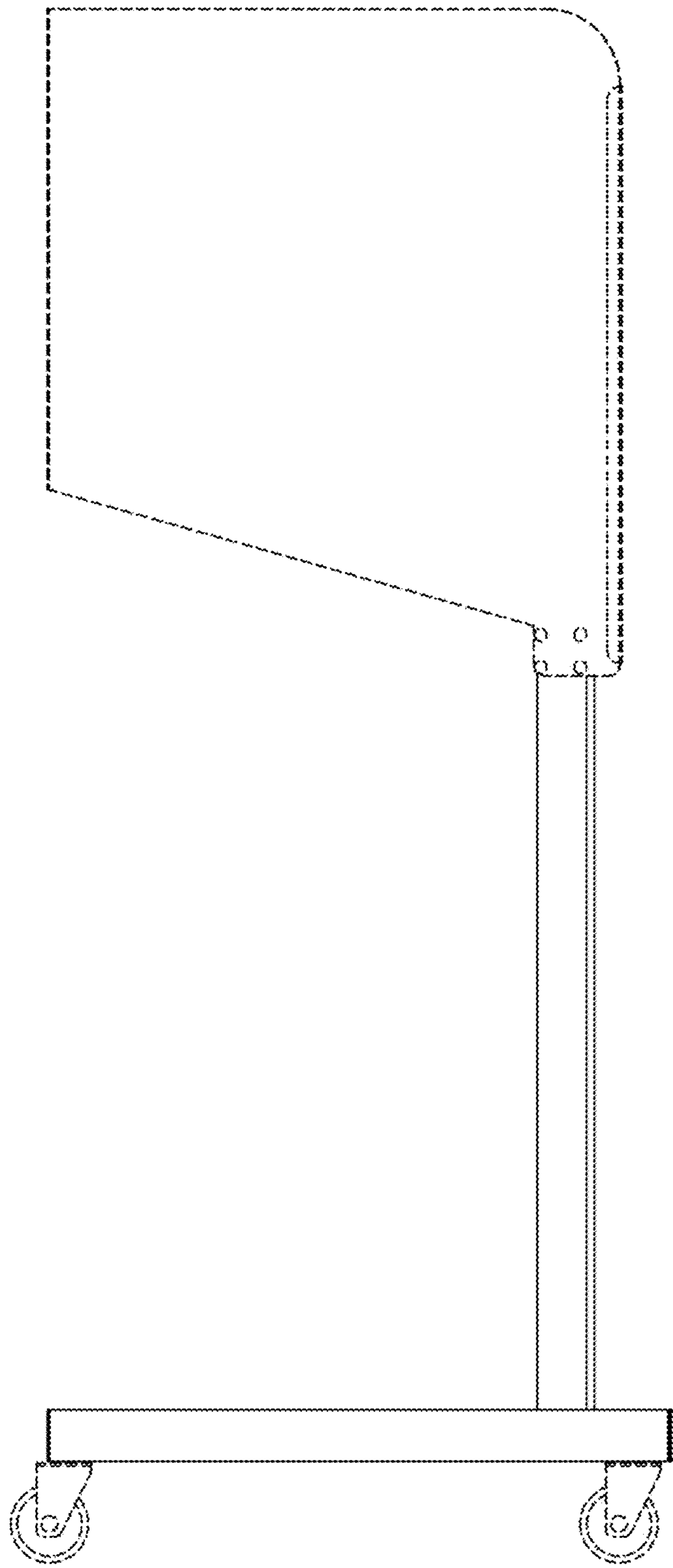


FIG. 3

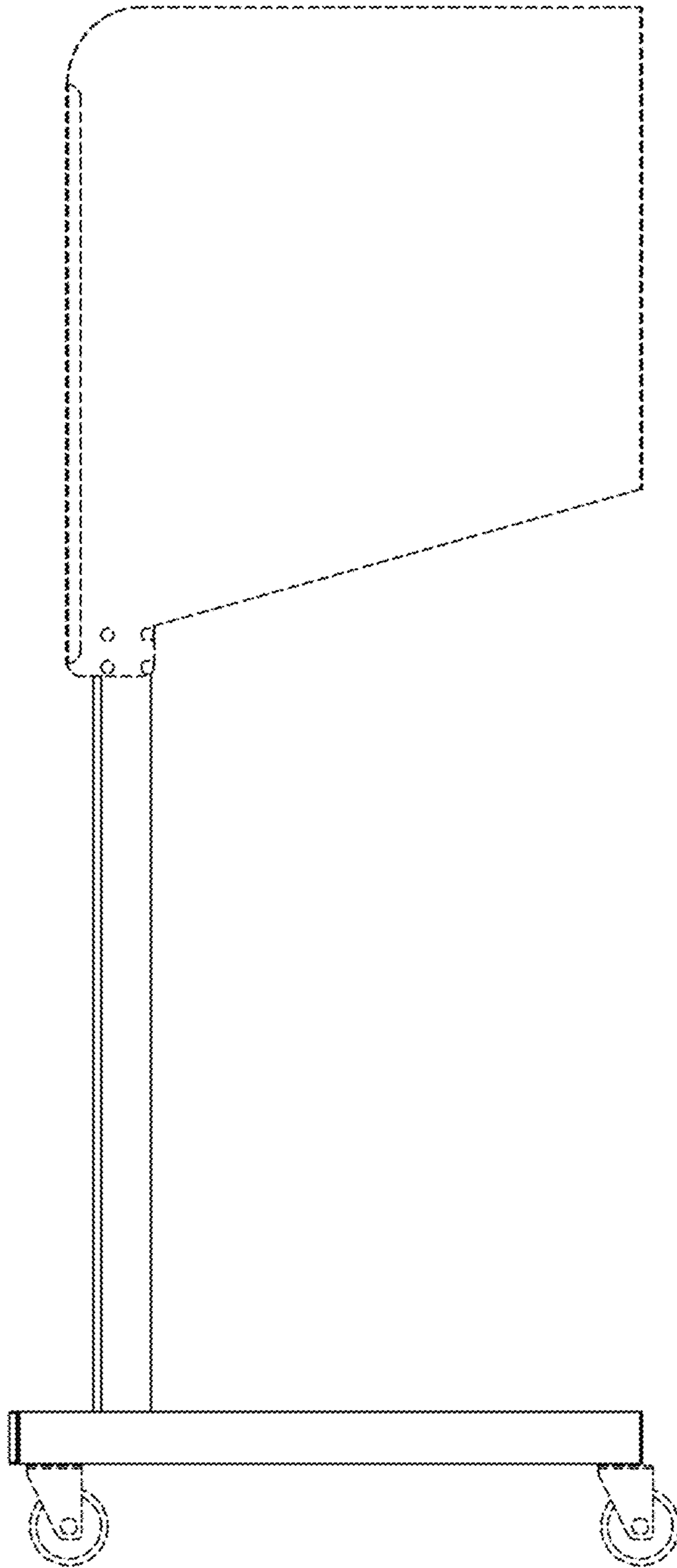


FIG. 4

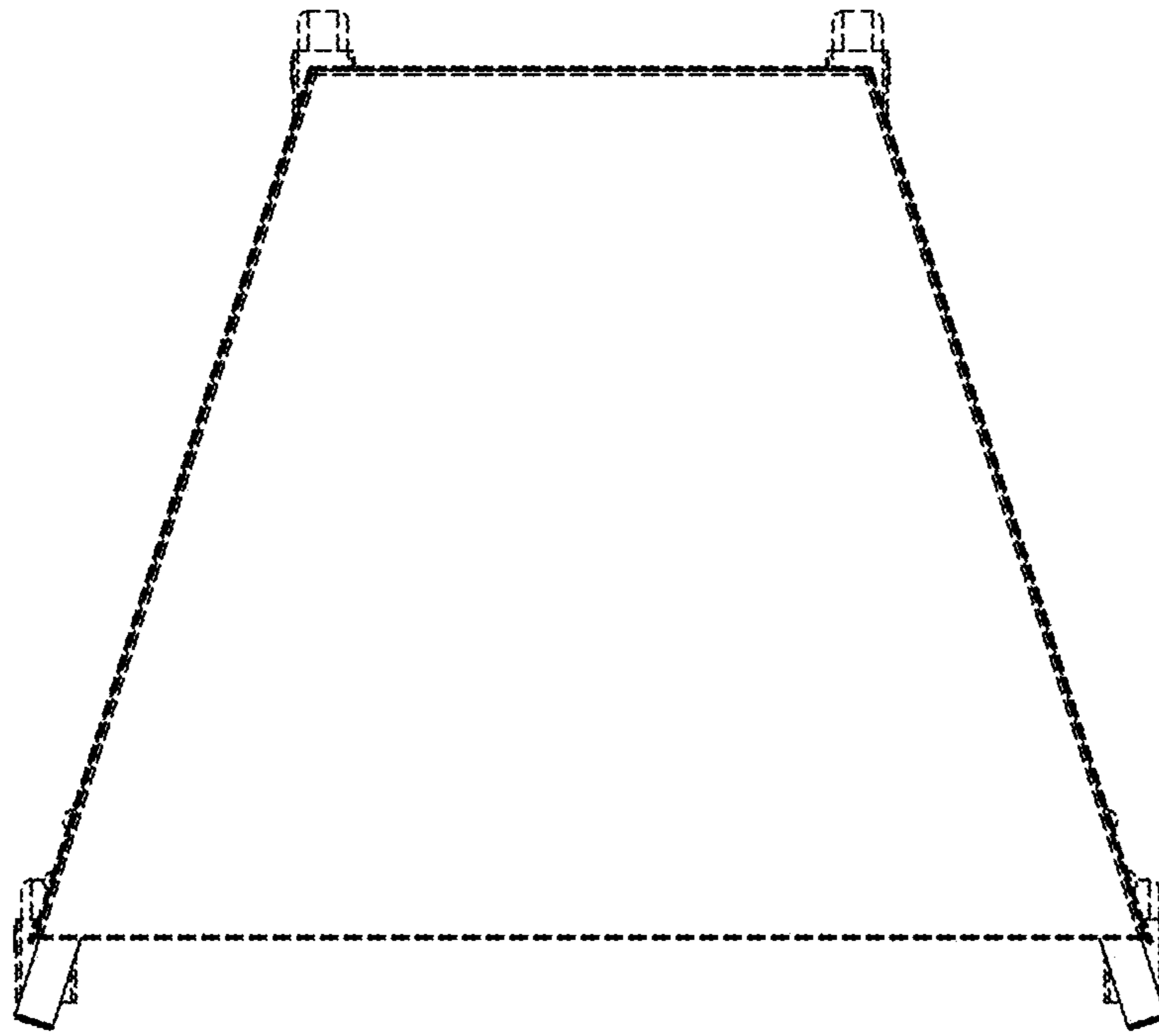


FIG. 5

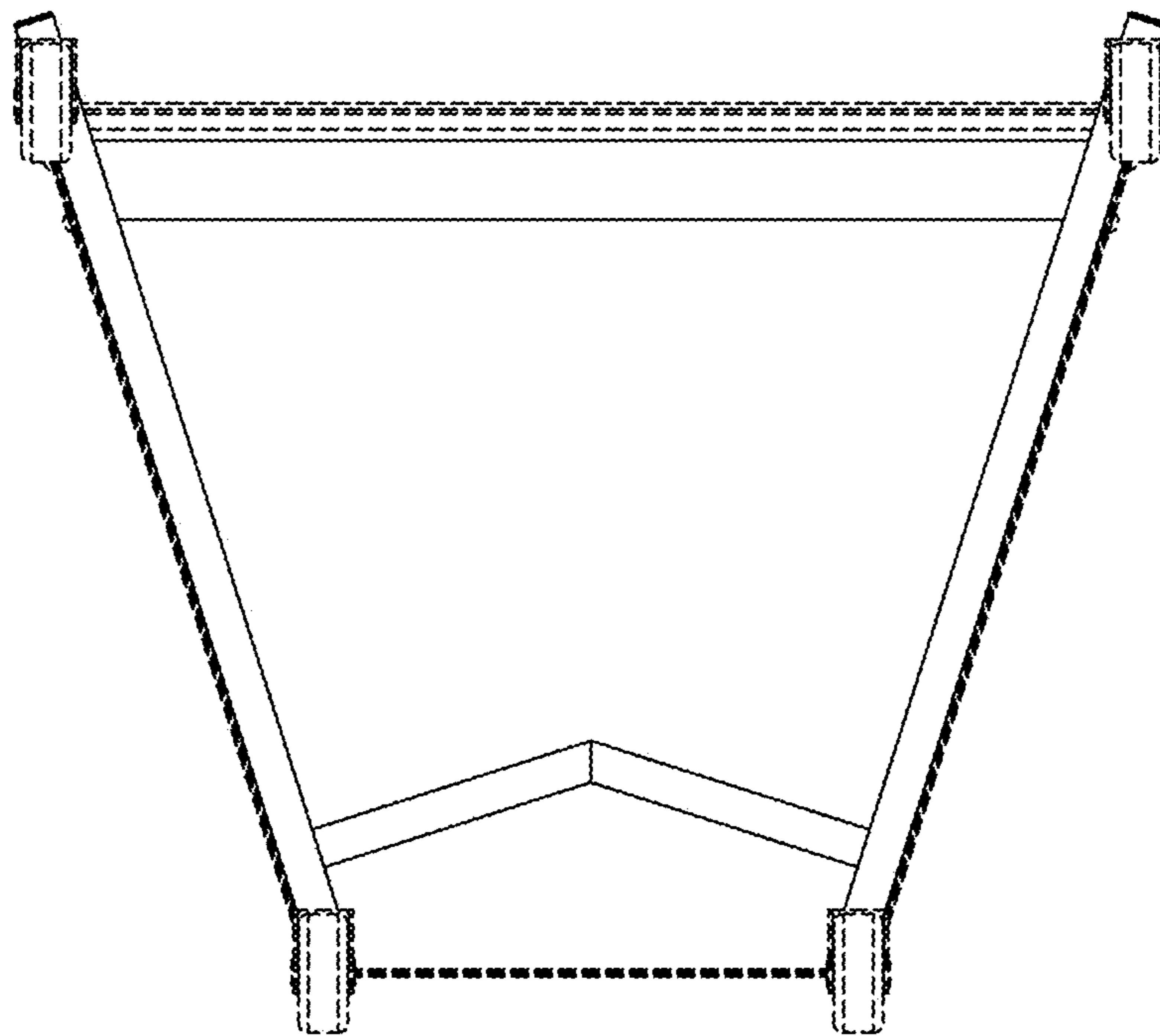


FIG. 6

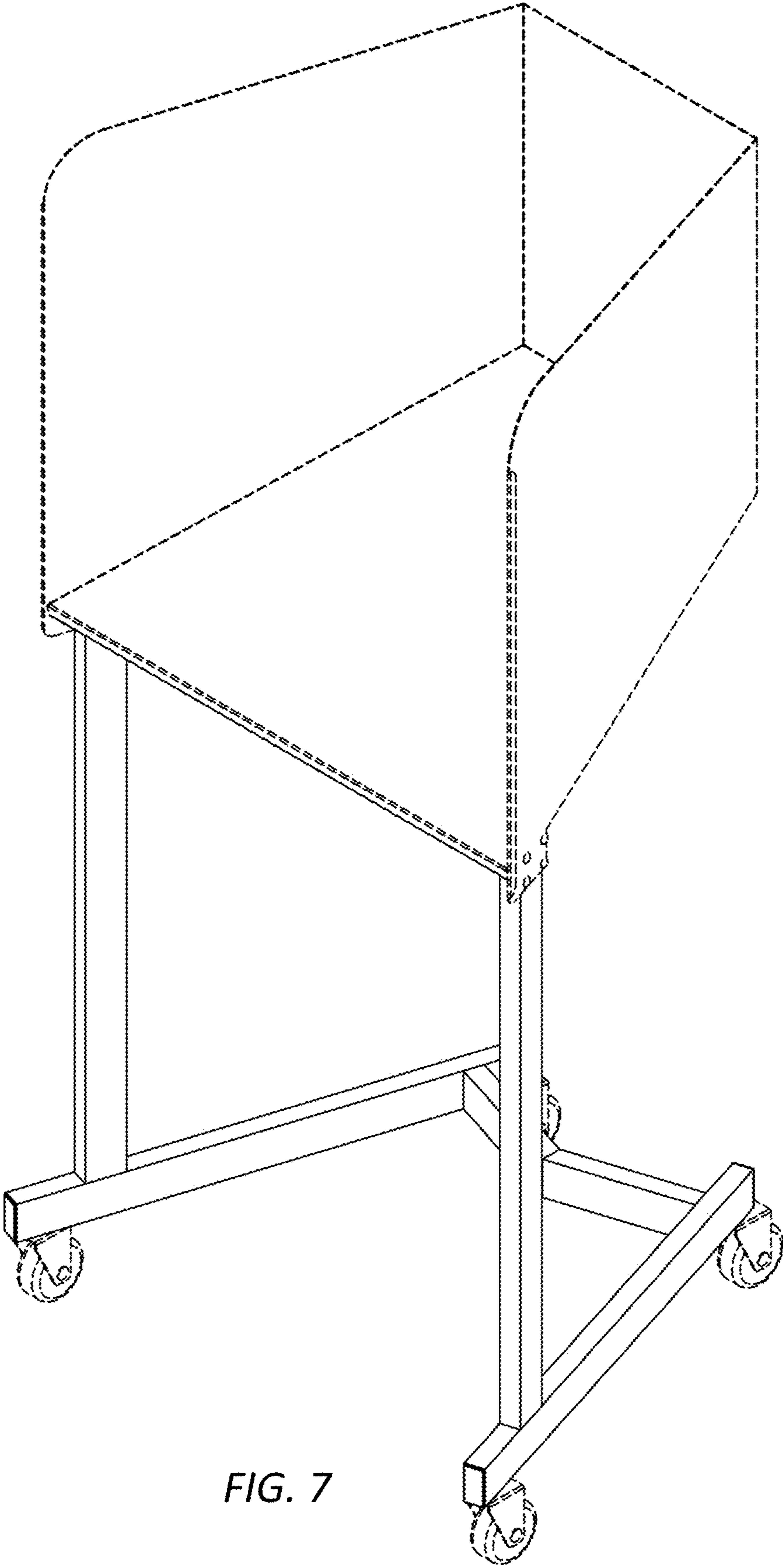


FIG. 7

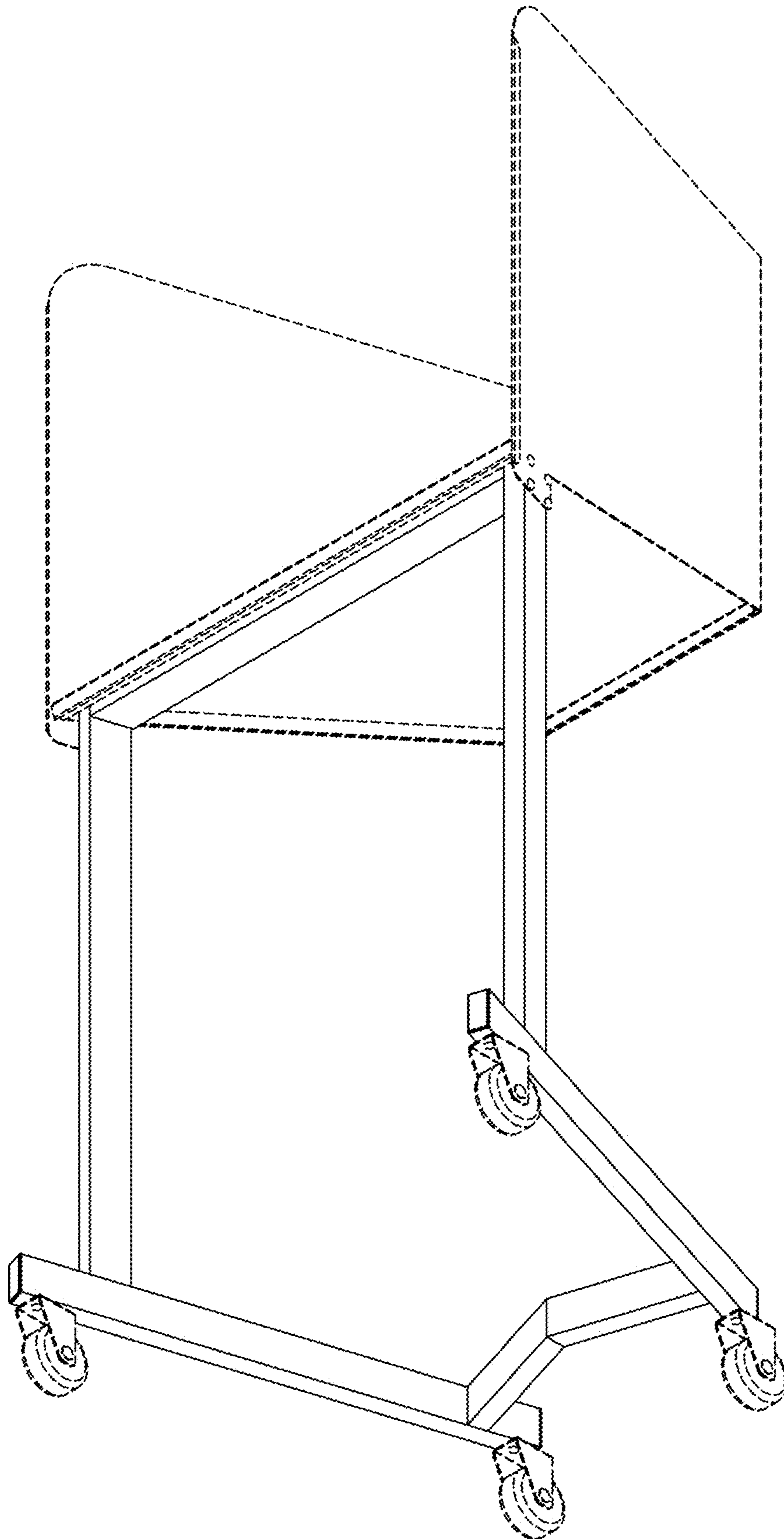


FIG. 8