



US00D873052S

(12) **United States Design Patent**
Blanc et al.

(10) **Patent No.:** **US D873,052 S**
(45) **Date of Patent:** **** Jan. 21, 2020**

(54) **PILLOW**

(71) Applicant: **DG International Holdings Limited**,
London (GB)

(72) Inventors: **Cédric Blanc**, London (GB); **Simon Little**, Middlesex (GB)

(73) Assignee: **DG INTERNATIONAL HOLDINGS LIMITED**, London (GB)

(**) Term: **15 Years**

(21) Appl. No.: **29/658,250**

(22) Filed: **Jul. 30, 2018**

(51) **LOC (12) Cl.** **06-09**

(52) **U.S. Cl.**
USPC **D6/601**

(58) **Field of Classification Search**
USPC D6/333, 349, 355, 375, 388, 512, 563,
D6/564, 595, 596, 601, 604, 611, 707,
D6/715, 716, 716.1; D24/183–185, 234;
D21/803, 804, 805, 809; 5/401, 420,
5/600, 630, 631, 632, 633, 635, 636, 638,
5/639, 646, 652, 652.1, 655, 703, 730;
297/1, 2, 4, 93, 180.11, 195.1, 195.11,
297/195.13, 393, 397, 452.12, 452.14,
297/452.15, 452.21, 452.24, 452.26,
297/452.48, 452.62, 482
CPC A47G 9/10; A47G 9/1009; A47G 9/1018;
A47G 9/1027; A47G 9/1036; A47G
9/1045; A47G 9/1063; A47G 9/1072;
A47G 9/1081; A47G 9/109; A47C 7/021;
A47C 27/00
See application file for complete search history.

5,519,906 A * 5/1996 Fanto-Chan A47C 20/025
5/631
D384,536 S * 10/1997 Kraft D6/601
D396,594 S * 8/1998 Lefebvre D6/601
D416,745 S * 11/1999 Noyes D6/601

(Continued)

OTHER PUBLICATIONS

Ultimate Memory Pillow (Black), reviewed Feb. 9, 2019, [online], [site visited Apr. 27, 2019]. Available from Internet, <url: https://www.amazon.com/ design-ultimate-memory-pillow-grey/ product-reviews/ b01ay8nali/ ref=cm_cr_ar_p_d_viewopt_srt?ie=UTF8 &reviewerType=all_reviews&sortBy=recent&pageNumber=1"> (Yea.*

Primary Examiner — Michelle E. Wilson
Assistant Examiner — Sanjeev Paul
(74) *Attorney, Agent, or Firm* — Nyemaster Goode P.C.

(57) **CLAIM**

We claim the ornamental design for a pillow, as shown and described.

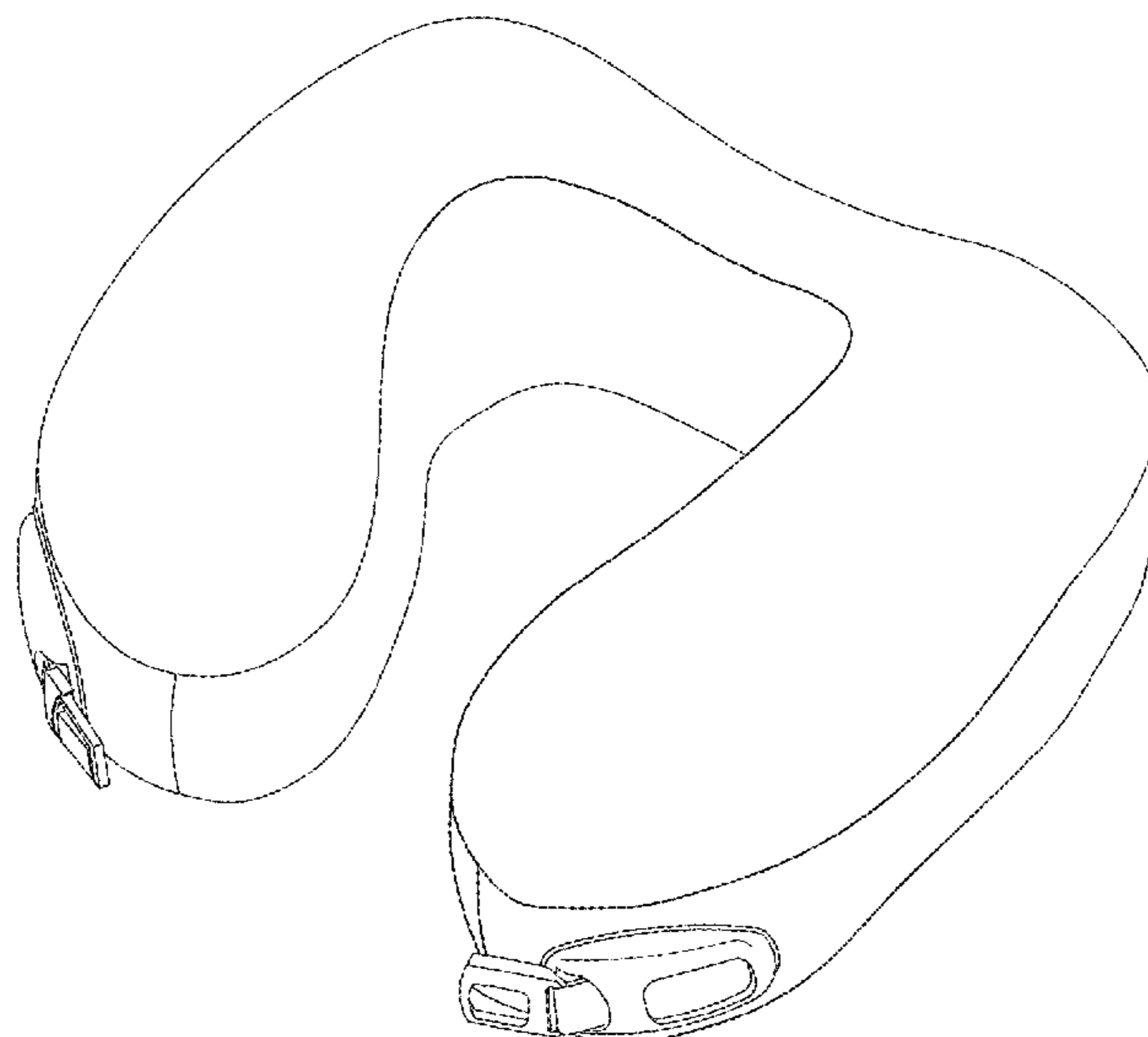
DESCRIPTION

FIG. 1 is a perspective view of an embodiment of the pillow. FIG. 2 is a front elevational view of the pillow. FIG. 3 is a rear elevational view of the pillow. FIG. 4 is a right side elevational view of the pillow. FIG. 5 is a left side elevational view of the pillow. FIG. 6 is a top plan view of the pillow in an open configuration. FIG. 7 is a bottom plan view of the pillow in an open configuration; and, FIG. 8 is a rear perspective view of the pillow. The broken lines appearing in the figures are for the purpose of illustrating the environmental structure of the article of the claimed design and form no part of the claimed design.

1 Claim, 5 Drawing Sheets

(56) **References Cited**
U.S. PATENT DOCUMENTS

D318,969 S * 8/1991 Bym D6/601
D322,380 S * 12/1991 El-Asir D6/601



(56)

References Cited

U.S. PATENT DOCUMENTS

| | | | | | | |
|--------------|------|---------|---------------|-------|-------------|---------|
| 6,055,687 | A * | 5/2000 | Matthews | | A47C 7/383 | 446/28 |
| D481,247 | S * | 10/2003 | Roberts | | A47C 7/383 | D6/601 |
| D486,028 | S * | 2/2004 | Cathey | | D6/601 | |
| 6,760,934 | B1 * | 7/2004 | Leach | | A47C 20/021 | 5/631 |
| D522,300 | S * | 6/2006 | Roberts | | A47C 7/383 | D6/601 |
| D530,136 | S * | 10/2006 | Toth | | D6/601 | |
| D582,045 | S * | 12/2008 | James | | D24/191 | |
| D582,713 | S * | 12/2008 | Baldwin | | D6/601 | |
| D619,402 | S * | 7/2010 | Sternlight | | D6/601 | |
| D655,364 | S * | 3/2012 | Johnston | | D21/805 | |
| D663,564 | S * | 7/2012 | Sclare | | D6/601 | |
| D664,115 | S * | 7/2012 | Allard | | D14/205 | |
| D664,799 | S * | 8/2012 | Schwingendorf | | D6/601 | |
| D665,212 | S * | 8/2012 | Schwingendorf | | D6/601 | |
| D672,596 | S * | 12/2012 | Sclare | | D6/601 | |
| D676,139 | S * | 2/2013 | Golzari | | D24/200 | |
| D699,981 | S * | 2/2014 | Kummerfeld | | A47D 13/083 | D6/601 |
| D699,982 | S * | 2/2014 | Fair | | A47D 13/083 | D6/601 |
| D703,285 | S * | 4/2014 | Chiu | | D21/803 | |
| D704,963 | S * | 5/2014 | McNeil | | D6/601 | |
| D705,431 | S * | 5/2014 | Abramson | | D24/184 | |
| D713,171 | S * | 9/2014 | Fair | | D6/601 | |
| 8,887,333 | B2 * | 11/2014 | Cohen | | A47C 7/383 | 5/636 |
| D727,069 | S * | 4/2015 | Ahroon | | D3/295 | |
| D746,080 | S * | 12/2015 | Mittelstadt | | D6/601 | |
| D755,535 | S * | 5/2016 | Benezri | | D6/391 | |
| D761,595 | S * | 7/2016 | Pulver | | D6/601 | |
| D762,400 | S * | 8/2016 | Wong | | A47C 7/383 | D6/601 |
| D766,015 | S * | 9/2016 | Walker | | A47C 7/383 | D6/601 |
| D769,029 | S * | 10/2016 | Okwumabua | | D6/601 | |
| D769,648 | S * | 10/2016 | Atkinson | | D6/601 | |
| 9,474,387 | B2 * | 10/2016 | McQuilton | | A47C 20/02 | |
| D770,806 | S * | 11/2016 | Canna | | D6/601 | |
| 9,526,360 | B2 * | 12/2016 | Sternlight | | A47G 9/10 | |
| 9,532,657 | B2 * | 1/2017 | Sclare | | A47D 13/083 | |
| D782,220 | S * | 3/2017 | Little | | D6/601 | |
| 9,615,682 | B1 * | 4/2017 | Maddocks | | B60N 2/80 | |
| D787,233 | S * | 5/2017 | Wang | | D6/601 | |
| D791,508 | S * | 7/2017 | Chen | | D6/601 | |
| D796,231 | S * | 9/2017 | Levin | | D6/601 | |
| D796,869 | S * | 9/2017 | Higashi | | D6/601 | |
| D815,861 | S * | 4/2018 | Kassab Arabo | | D6/601 | |
| D817,031 | S * | 5/2018 | Denat | | D6/601 | |
| D823,026 | S * | 7/2018 | Shi | | D6/601 | |
| D834,350 | S * | 11/2018 | Zou | | D6/601 | |
| D845,676 | S * | 4/2019 | Yang | | D6/601 | |
| 2012/0144590 | A1 * | 6/2012 | Sharp | | A47C 7/383 | 5/639 |
| 2013/0219624 | A1 * | 8/2013 | Soffer | | A45F 4/02 | 5/636 |
| 2013/0232693 | A1 * | 9/2013 | Myers | | A47G 9/10 | 5/636 |
| 2014/0007351 | A1 * | 1/2014 | Cohen | | A47G 9/10 | 5/639 |
| 2014/0048370 | A1 * | 2/2014 | Edwards | | A45C 7/0022 | 190/103 |
| 2015/0059098 | A1 * | 3/2015 | Jung | | A47C 7/383 | 5/636 |
| 2015/0257554 | A1 * | 9/2015 | Ross | | A47C 27/086 | 5/639 |
| 2016/0029821 | A1 * | 2/2016 | Atkinson | | A47C 7/383 | 5/636 |
| 2016/0183685 | A1 * | 6/2016 | Kang | | A47G 9/1081 | 5/639 |
| 2017/0042332 | A1 * | 2/2017 | Atkinson | | A47G 9/1081 | |
| 2017/0202378 | A1 * | 7/2017 | Scrimshaw | | A47G 9/10 | |
| 2017/0290450 | A1 * | 10/2017 | Jaramillo | | A47G 9/10 | |
| 2018/0125271 | A1 * | 5/2018 | Blanc | | A47G 9/0253 | |
| 2018/0132621 | A1 * | 5/2018 | Scrimshaw | | A47C 16/00 | |
| 2018/0146807 | A1 * | 5/2018 | Silver | | A47C 7/383 | |
| 2019/0090650 | A1 * | 3/2019 | Sternlight | | A47C 21/026 | |

* cited by examiner

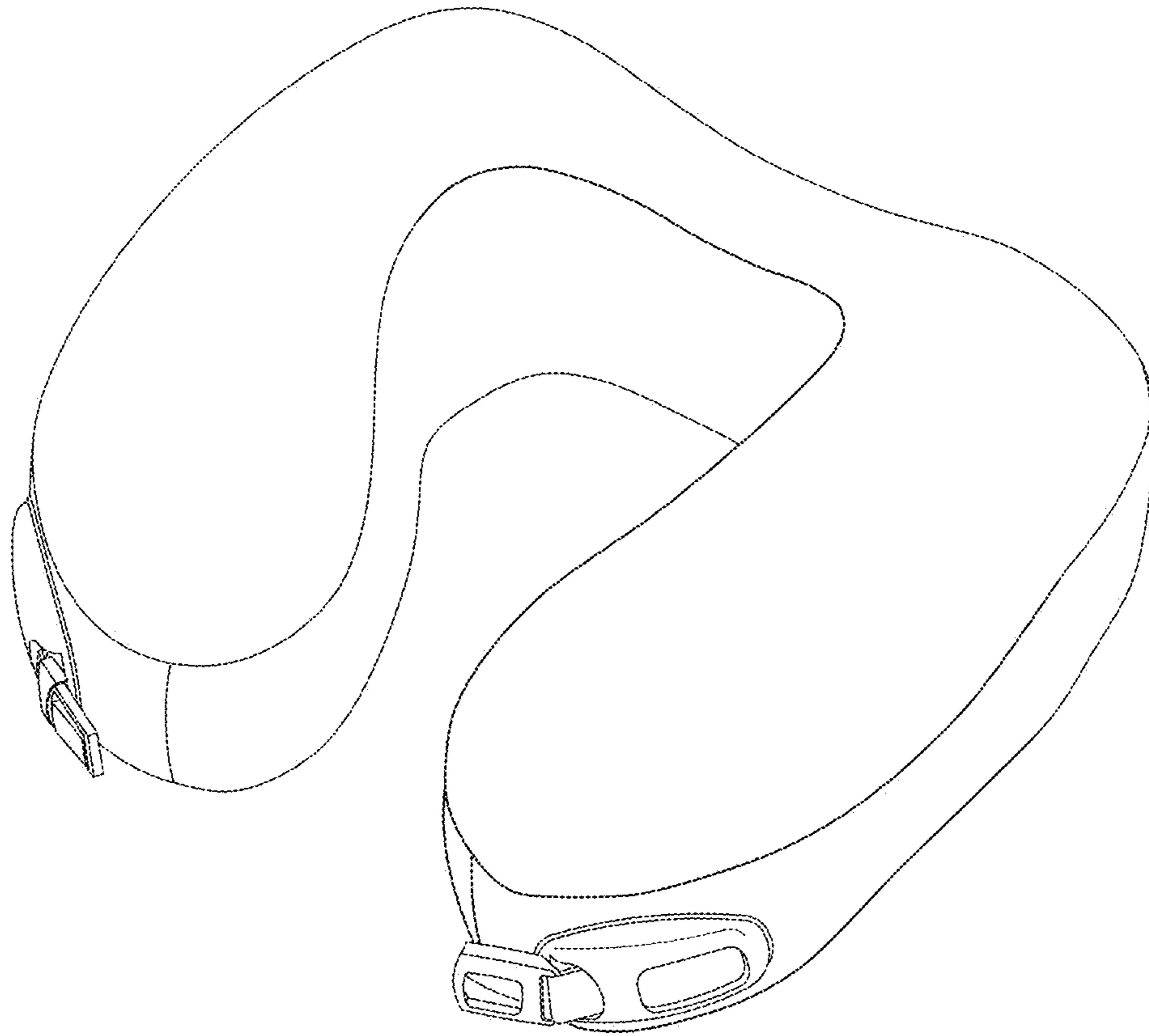


FIG. 1

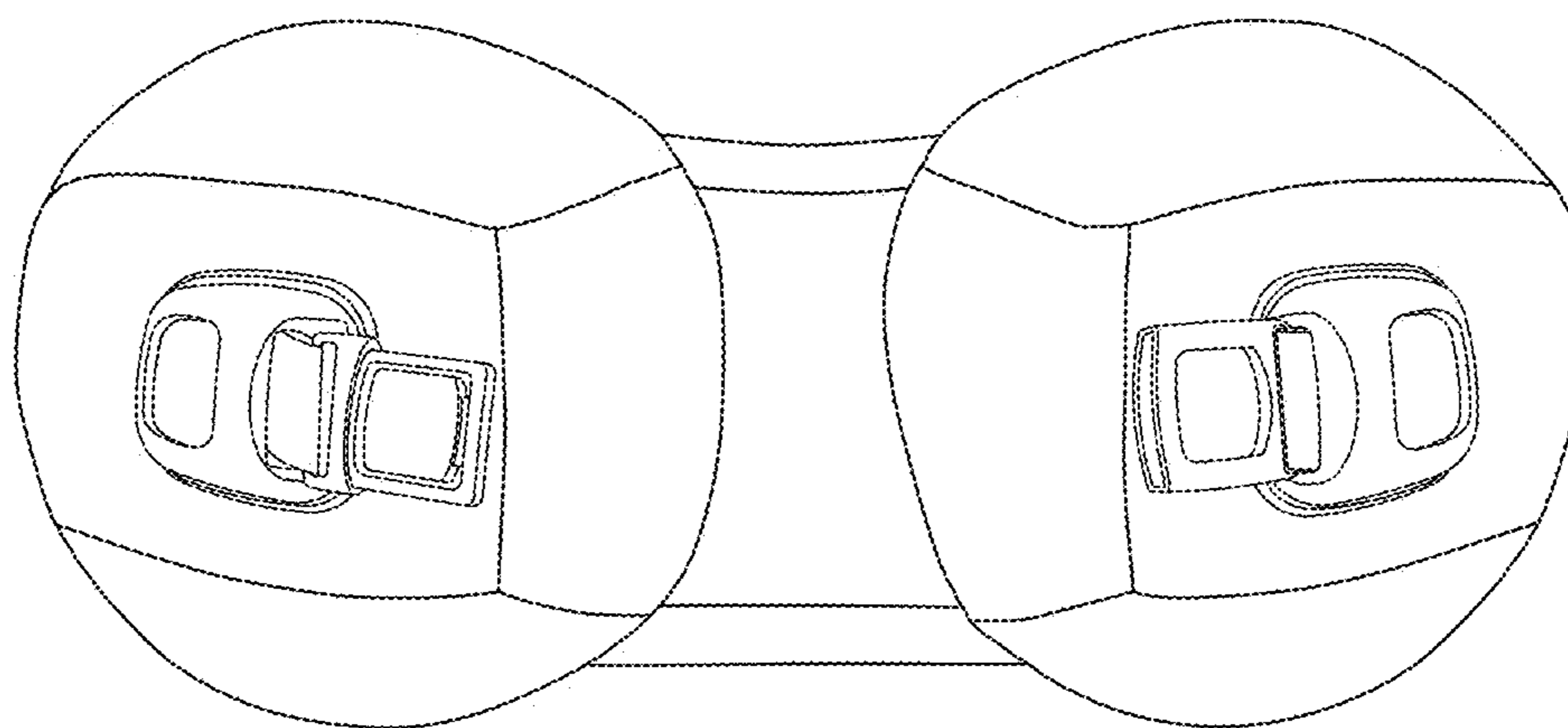


FIG. 2

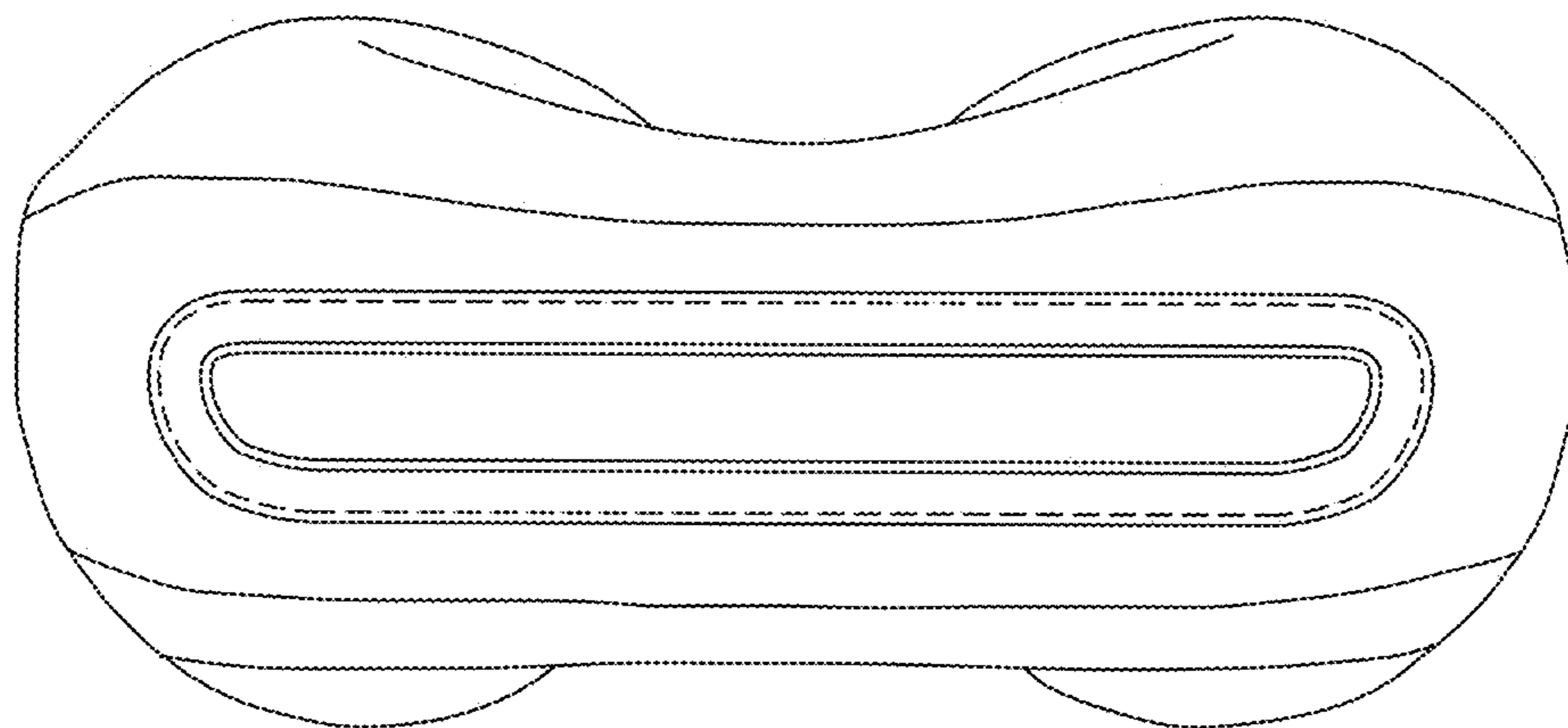


FIG. 3

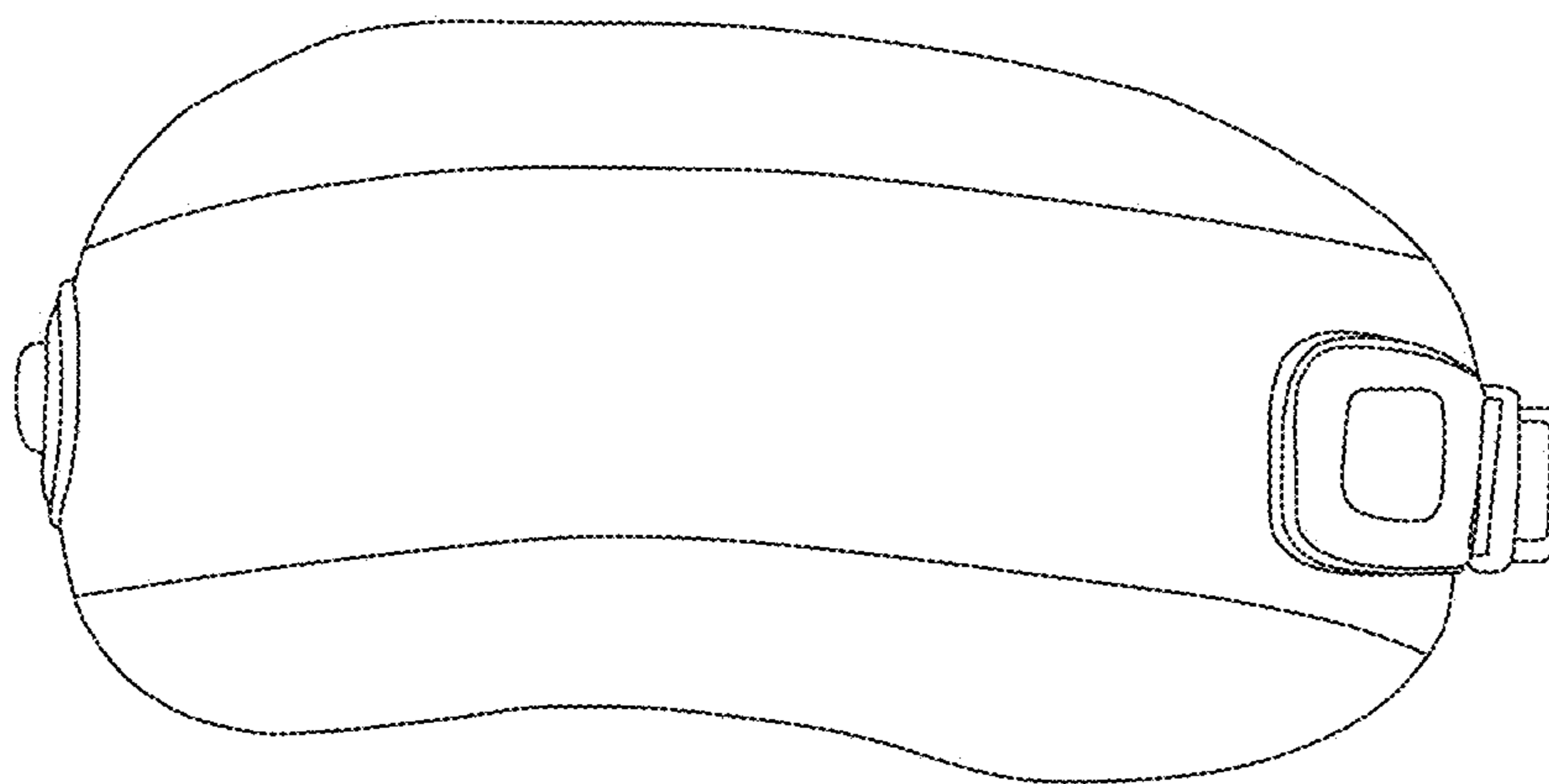


FIG. 4

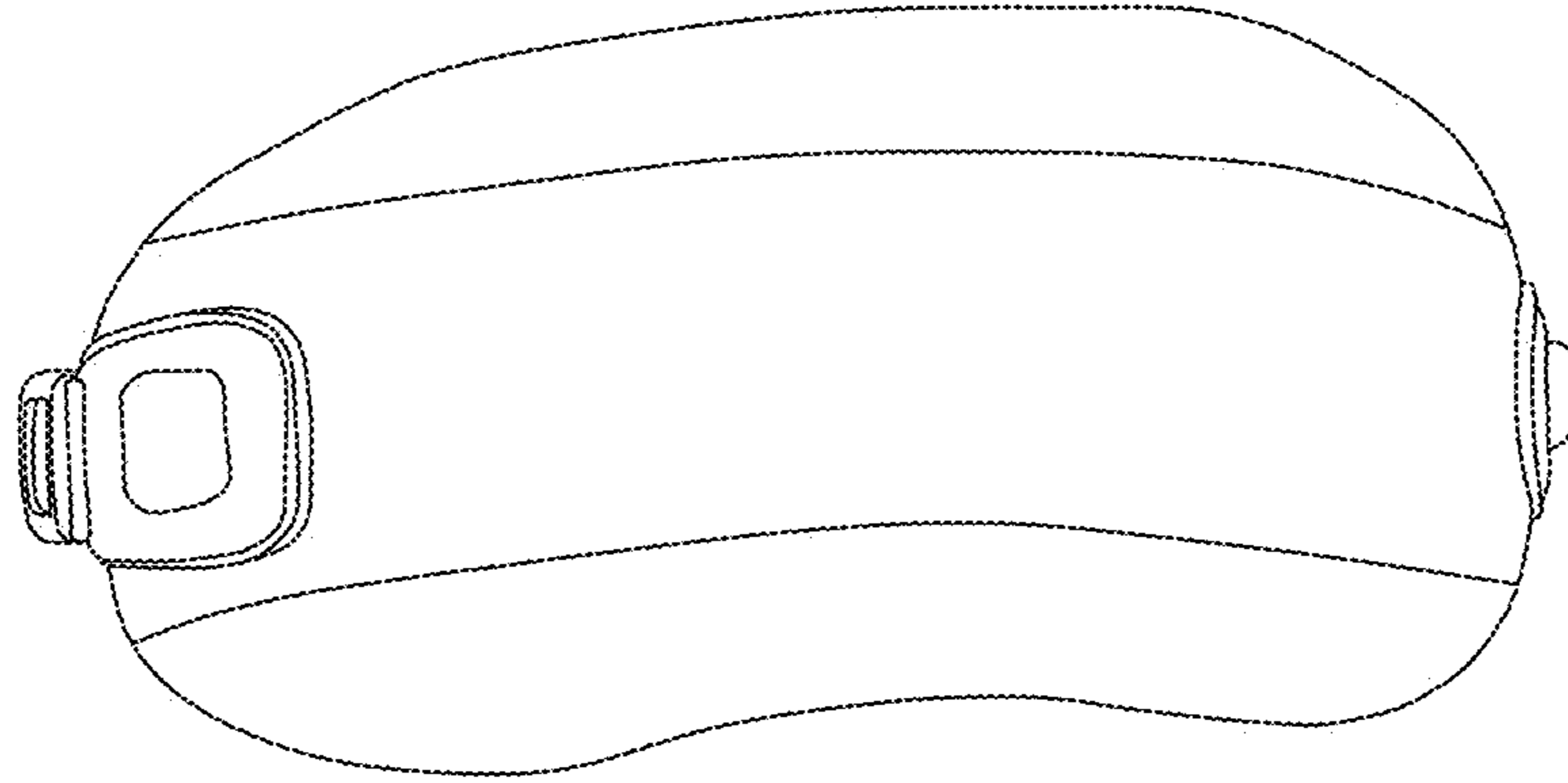


FIG. 5

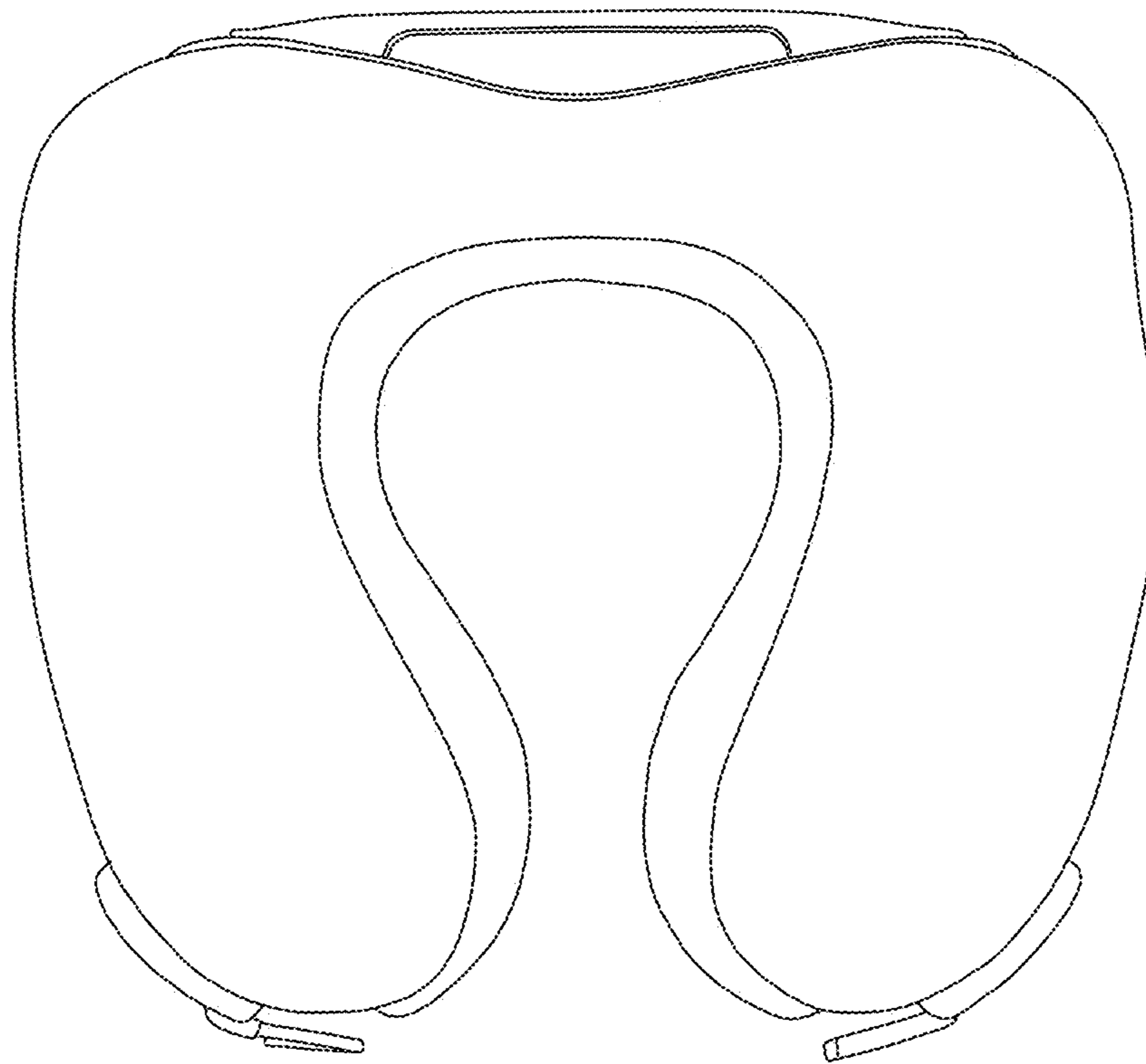


FIG. 6

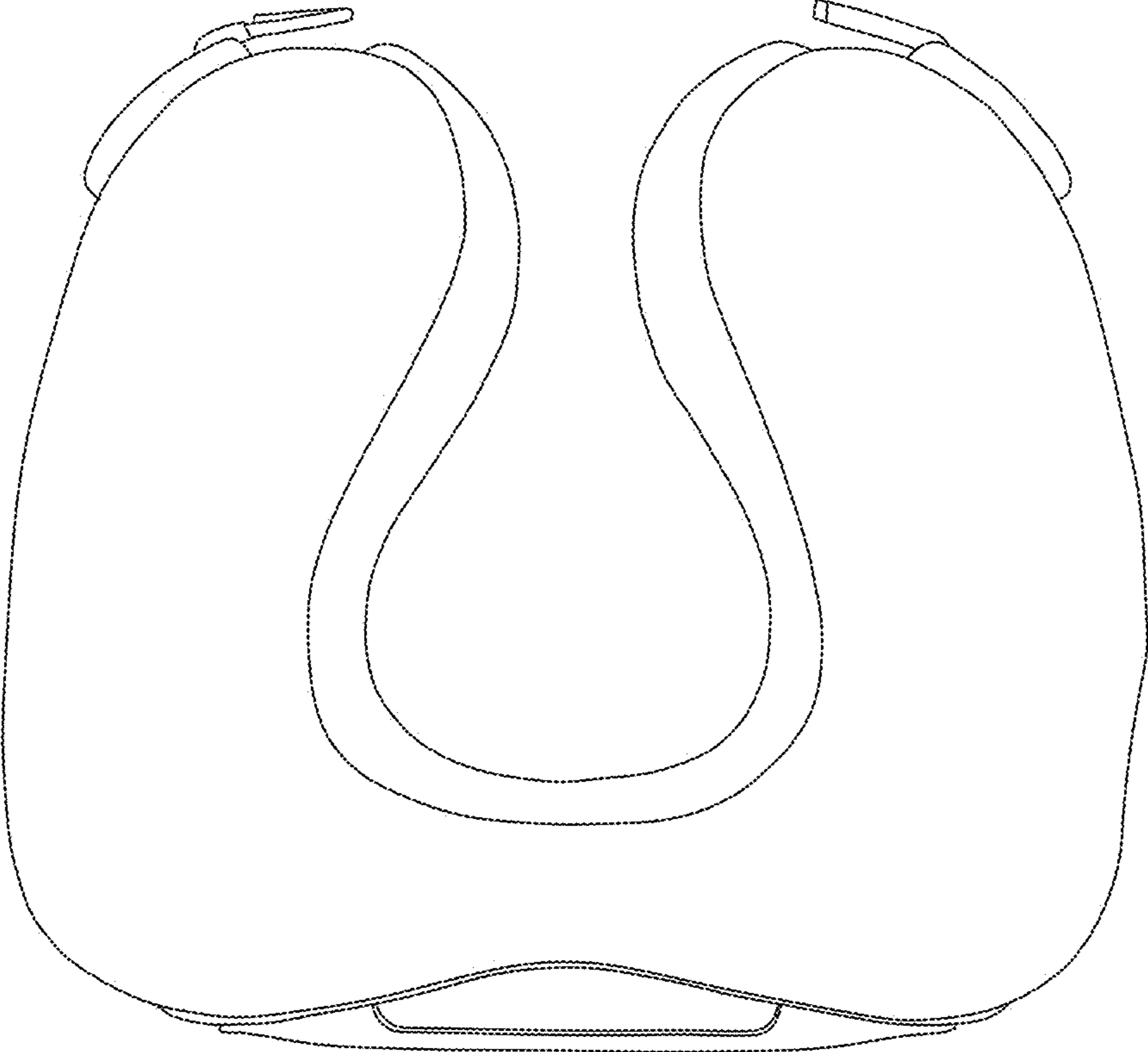


FIG. 7

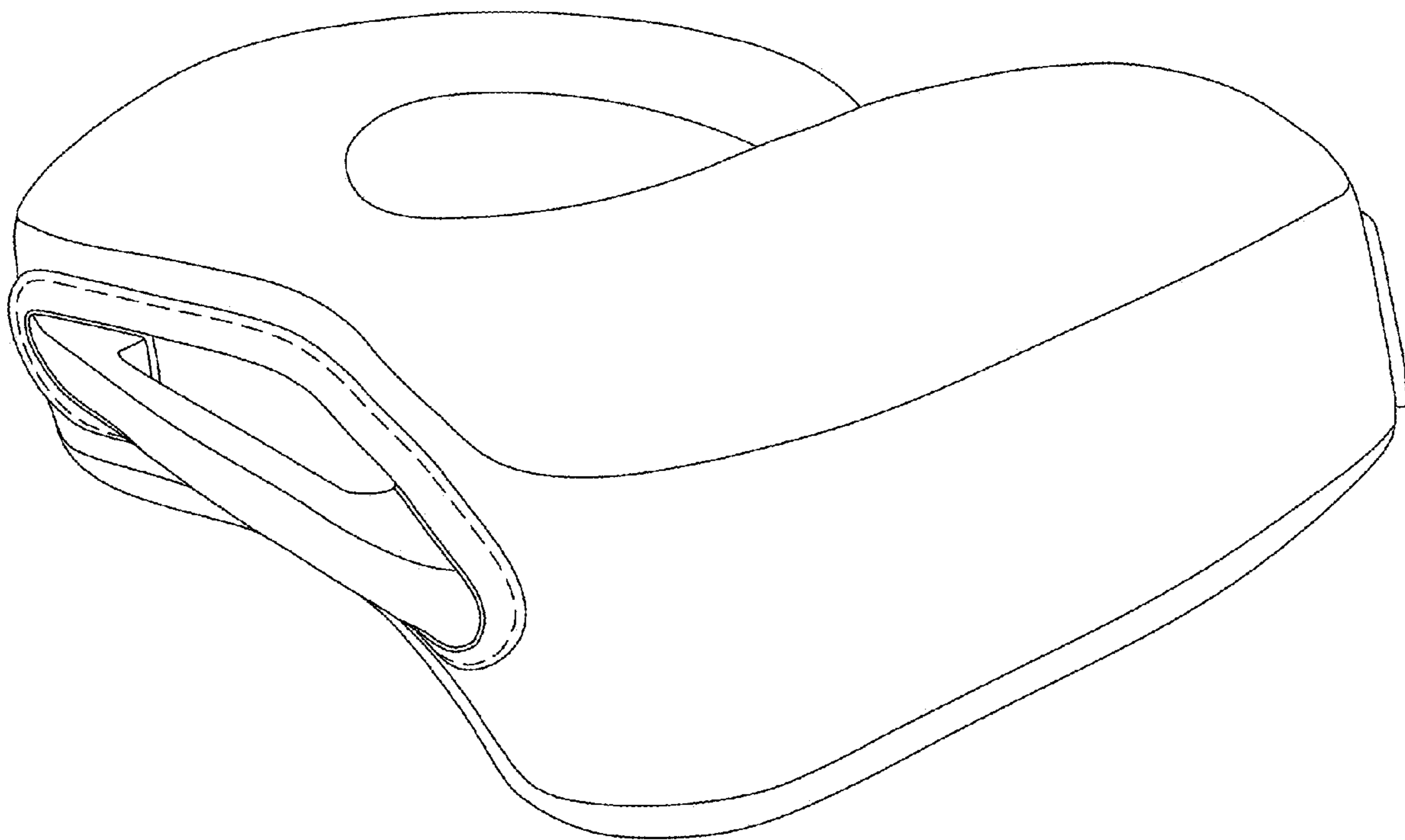


FIG. 8