



US00D873050S

(12) **United States Design Patent**
Wendling

(10) **Patent No.:** **US D873,050 S**
(45) **Date of Patent:** **** Jan. 21, 2020**

(54) **SET OF CORNER DEVICES FOR A FLOOR COVERING**

DESCRIPTION

- (71) Applicant: **Allan Wendling**, New Lothrop, MI (US)
- (72) Inventor: **Allan Wendling**, New Lothrop, MI (US)
- (**) Term: **15 Years**
- (21) Appl. No.: **29/678,684**
- (22) Filed: **Jan. 30, 2019**
- (51) **LOC (12) Cl.** **06-11**
- (52) **U.S. Cl.**
USPC **D6/592; D6/582**
- (58) **Field of Classification Search**
USPC D6/582-588, 591, 592; D7/388;
D8/403; D12/203; D19/10
(Continued)

FIG. 1 is a perspective view of the first embodiment of the set of corner devices for a floor covering showing the new design in a position of use on an environmental floor covering, which is shown pulled back by a user;
 FIG. 2 is a bottom plan view thereof;
 FIG. 3 is a top plan view thereof;
 FIG. 4 is a front elevation view thereof;
 FIG. 5 is a right elevation view thereof;
 FIG. 6 is a bottom plan view thereof, shown in an alternate configuration;
 FIG. 7 is a top plan view thereof, shown in an alternate configuration;
 FIG. 8 is a perspective view of the second embodiment of the set of corner devices for a floor covering showing the new design in a position of use on an environmental floor covering, which is shown pulled back by a user;
 FIG. 9 is a bottom plan view thereof;
 FIG. 10 is a top plan view thereof;
 FIG. 11 is a front elevation view thereof;
 FIG. 12 is a right elevation view thereof;
 FIG. 13 is a bottom plan view thereof, shown in the second configuration;
 FIG. 14 is a top plan view thereof, shown in the second configuration;
 FIG. 15 is a perspective view of the third embodiment of the set of corner devices for an environmental floor covering showing a new design in a position of use on the environmental floor covering, which is shown pulled back by a user;
 FIG. 16 is a bottom plan view thereof;
 FIG. 17 is a top plan view thereof;
 FIG. 18 is a front elevation view thereof;
 FIG. 19 is a right elevation view thereof;
 FIG. 20 is a bottom plan view thereof, shown in the second configuration;
 FIG. 21 is a top plan view thereof, shown in the second configuration;
 FIG. 22 is a perspective view of the fourth embodiment of the set of corner devices for a floor covering showing the new design in a position of use on an environmental floor covering, which is shown pulled back by a user;
 FIG. 23 is a bottom plan view thereof;
 FIG. 24 is a top plan view thereof;

(56) **References Cited**

U.S. PATENT DOCUMENTS

632,911 A 9/1899 Berry
 882,859 A * 3/1908 Ammerman A47G 27/0431
 16/17.1

(Continued)

OTHER PUBLICATIONS

Rug Grippers by Befayoo. Amazon.com. Jul. 25, 2018. <<https://www.amazon.com/dp/B07FY1C72Z/>>. Accessed on Apr. 30, 2019. (Year: 2018).*

(Continued)

Primary Examiner — Kevin K Rudzinski
Assistant Examiner — Clare Ann Gannon
 (74) *Attorney, Agent, or Firm* — Dinsmore & Shohl LLP

(57) **CLAIM**

The ornamental design for a set of corner devices for a floor covering, as shown and described.

(Continued)

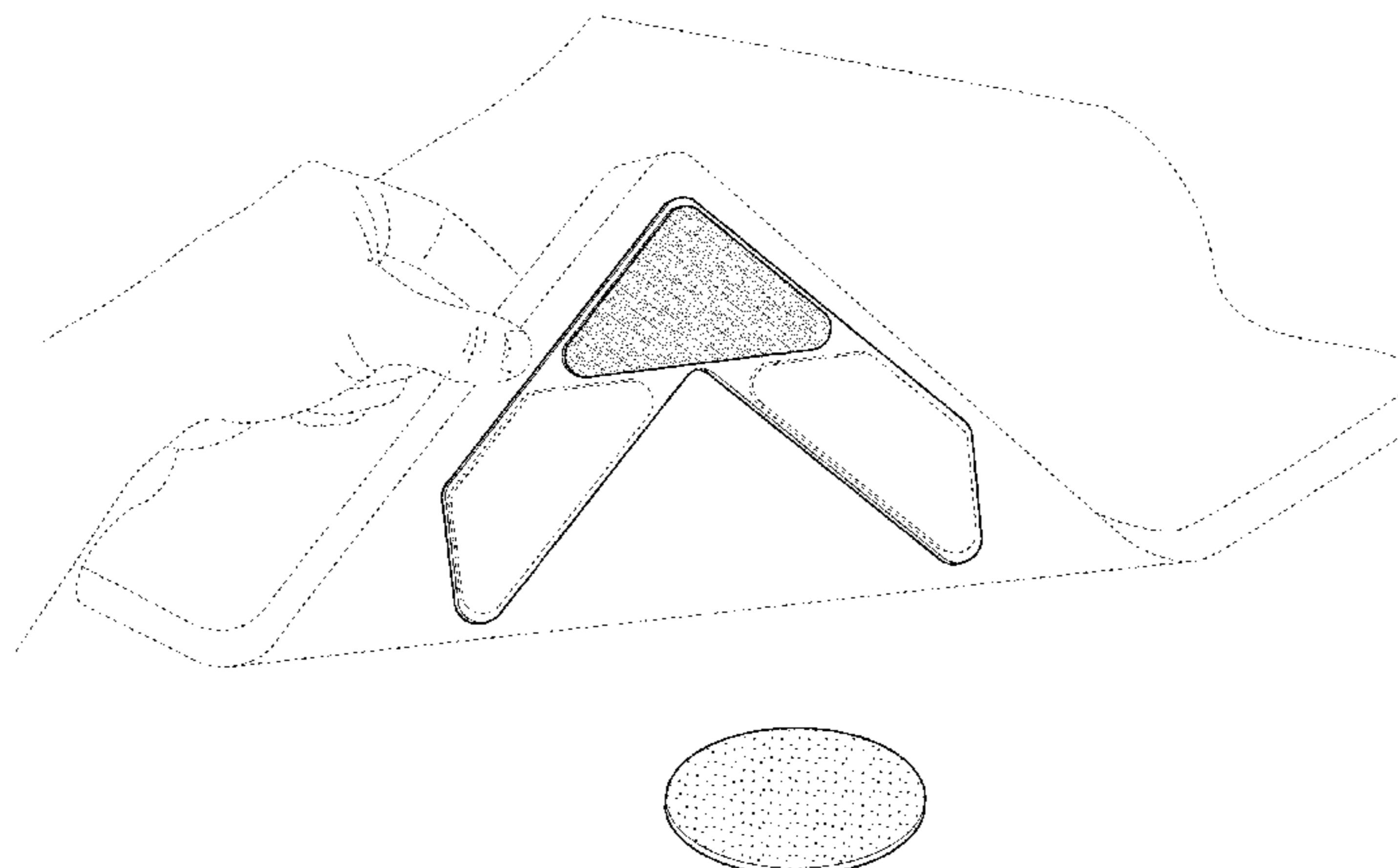


FIG. 25 is a front elevation view thereof;
 FIG. 26 is a right elevation view thereof;
 FIG. 27 is a bottom plan view thereof, shown in the second configuration; and,
 FIG. 28 is a top plan view thereof, shown in the second configuration.
 The broken lines in the drawings depict environment that forms no part of the claim.

1 Claim, 24 Drawing Sheets

(58) **Field of Classification Search**

CPC A47G 27/0206; A47G 27/0225; A47G 27/0237; A47G 27/0281; A47G 27/0418; A47G 27/0431; A47G 27/0468; A47G 9/062; A47K 3/003; A63B 21/4037; A63B 6/00; G09B 19/0015

See application file for complete search history.

(56) **References Cited**

U.S. PATENT DOCUMENTS

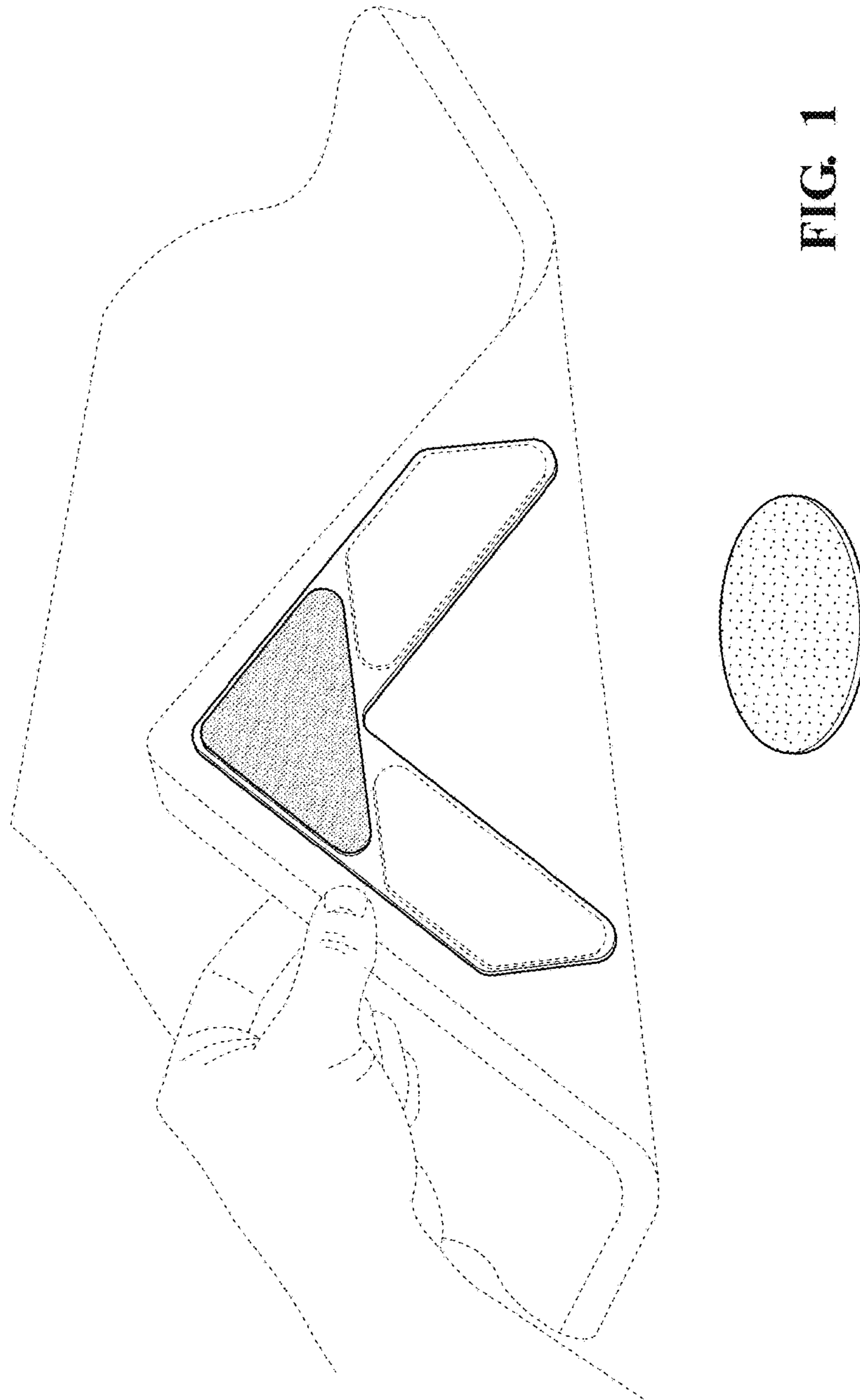
922,703	A *	5/1909	Knapp	A47G 27/0431	16/17.1
1,182,764	A	5/1916	Harral		
1,430,981	A	10/1922	Goldthwaite		
1,509,047	A	9/1924	Lindhorst		
1,526,261	A	2/1925	Wachs		
1,573,828	A	2/1926	Hamilton		
1,598,127	A	8/1926	Fleming		
2,042,692	A	6/1936	Wurzburg		
2,236,465	A	3/1941	Carlson		
4,681,786	A	7/1987	Brown		
4,853,268	A *	8/1989	Hansen	B42F 3/006	428/42.3
4,998,319	A	3/1991	Ford		
D420,658	S *	2/2000	Eyler	A47G 9/062	D14/436
6,022,617	A	2/2000	Calkins		
6,124,017	A	9/2000	Sokol, Jr. et al.		
6,216,315	B1	4/2001	Fuzzell		
6,230,446	B1	5/2001	Chalich		

6,485,812	B1	5/2002	Iverson		
6,558,786	B1	5/2003	Jupina		
8,485,112	B1	7/2013	Madden		
D753,983	S *	4/2016	Toye	B42F 3/006	D8/349
2001/0044964	A1 *	11/2001	Phillips	A47G 9/062	5/485
2004/0068830	A1	4/2004	Sandeman		
2004/0093687	A1	5/2004	Bushey		
2004/0123421	A1	7/2004	Bushey		
2005/0257341	A1	11/2005	Chen et al.		
2008/0152860	A1 *	6/2008	Meyer	A63B 6/00	428/100
2008/0229501	A1 *	9/2008	Hutchison	A45C 13/30	5/420
2009/0250367	A1 *	10/2009	Murdoch	B65D 81/053	206/453
2011/0059830	A1 *	3/2011	Reese	A63B 21/4037	482/142
2012/0073081	A1	3/2012	Crenshaw, Sr.		
2012/0285613	A1	11/2012	Bongiovanni et al.		
2014/0068858	A1 *	3/2014	Wambeke	A47G 9/062	5/420
2015/0013065	A1 *	1/2015	Ketcham	A47G 9/062	5/417
2016/0037944	A1 *	2/2016	Savignano	A47G 9/062	5/644
2016/0135632	A1 *	5/2016	Wendling	A47G 27/045	428/41.7
2016/0135633	A1	5/2016	Wendling		
2018/0049574	A1 *	2/2018	Wendling	A47G 27/0431	

OTHER PUBLICATIONS

Rug Pads for Hardwood Floors & Outdoor Rugs by DAGEDA. Amazon.com. Feb. 22, 2019. <<https://www.amazon.com/dp/B07P2G4QYB/>>. Accessed on Apr. 30, 2019.*
 NeverCurl's Best V Shape Design to Instantly Stops Rug Corner Curling by iPrimio. Amazon.com. Dec. 25, 2014. <<https://www.amazon.com/NeverCurl-Instantly-Curling-floors-anti-slip/dp/B00PBQ7EA2/>>. Accessed on Apr. 30, 2019.*
 Rug Anchors Carpet Hook and Loop Non-slip Mat Anti-skid Stickers by Yorwe. Amazon.com. Dec. 19, 2016. <<https://www.amazon.com/dp/B01N36UYZP/>>. Accessed on Apr. 30, 2019.*

* cited by examiner



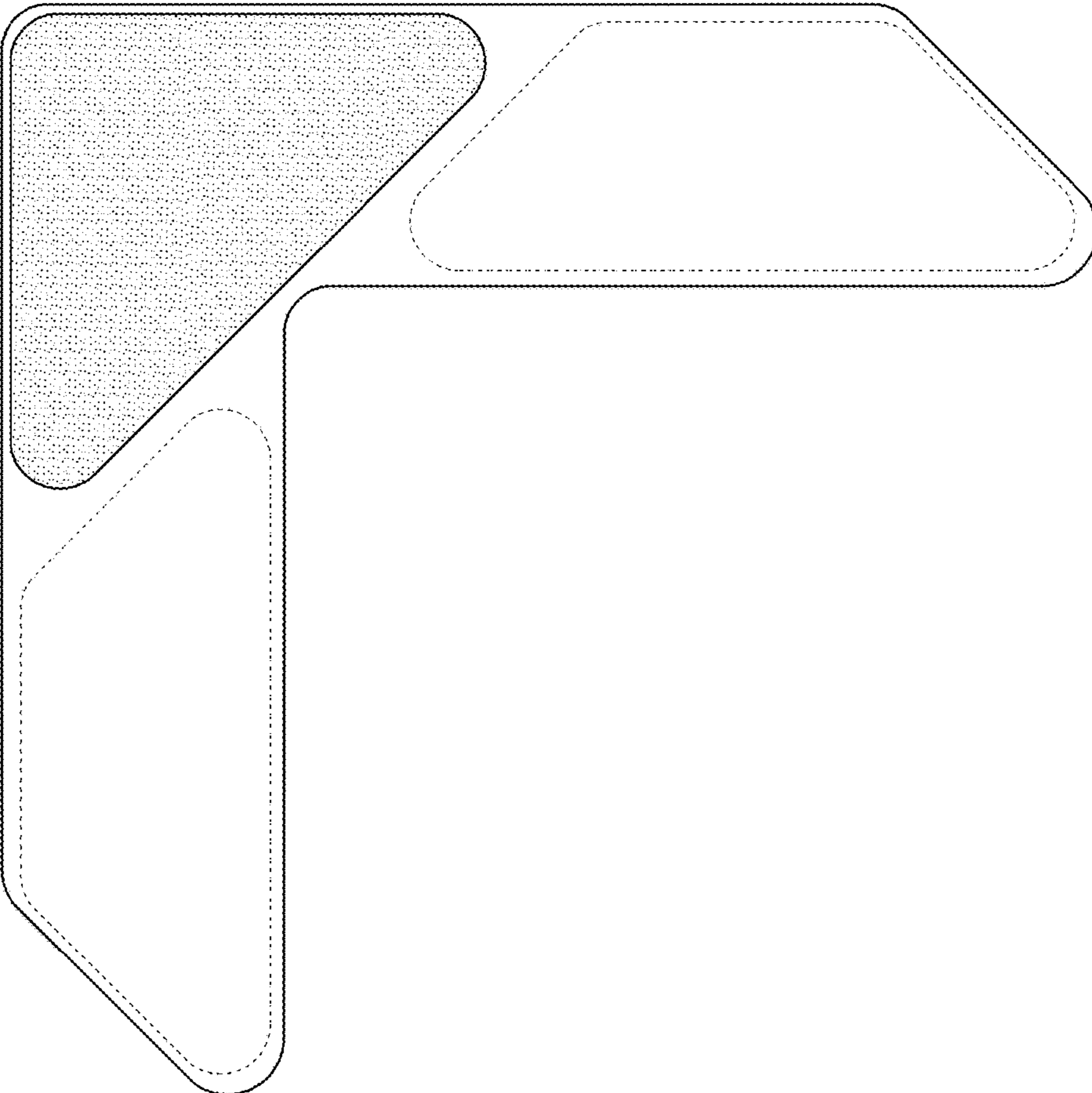
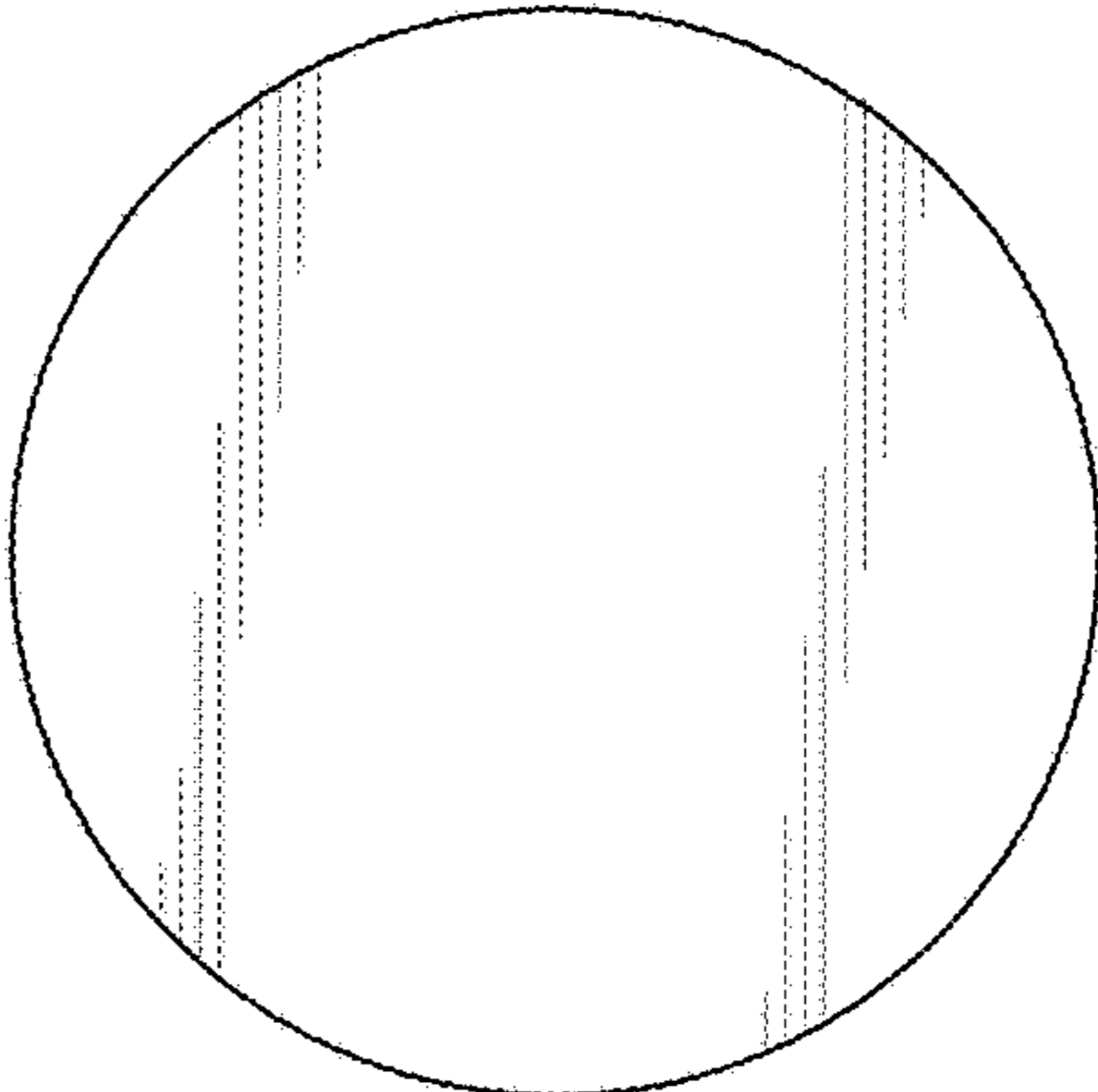
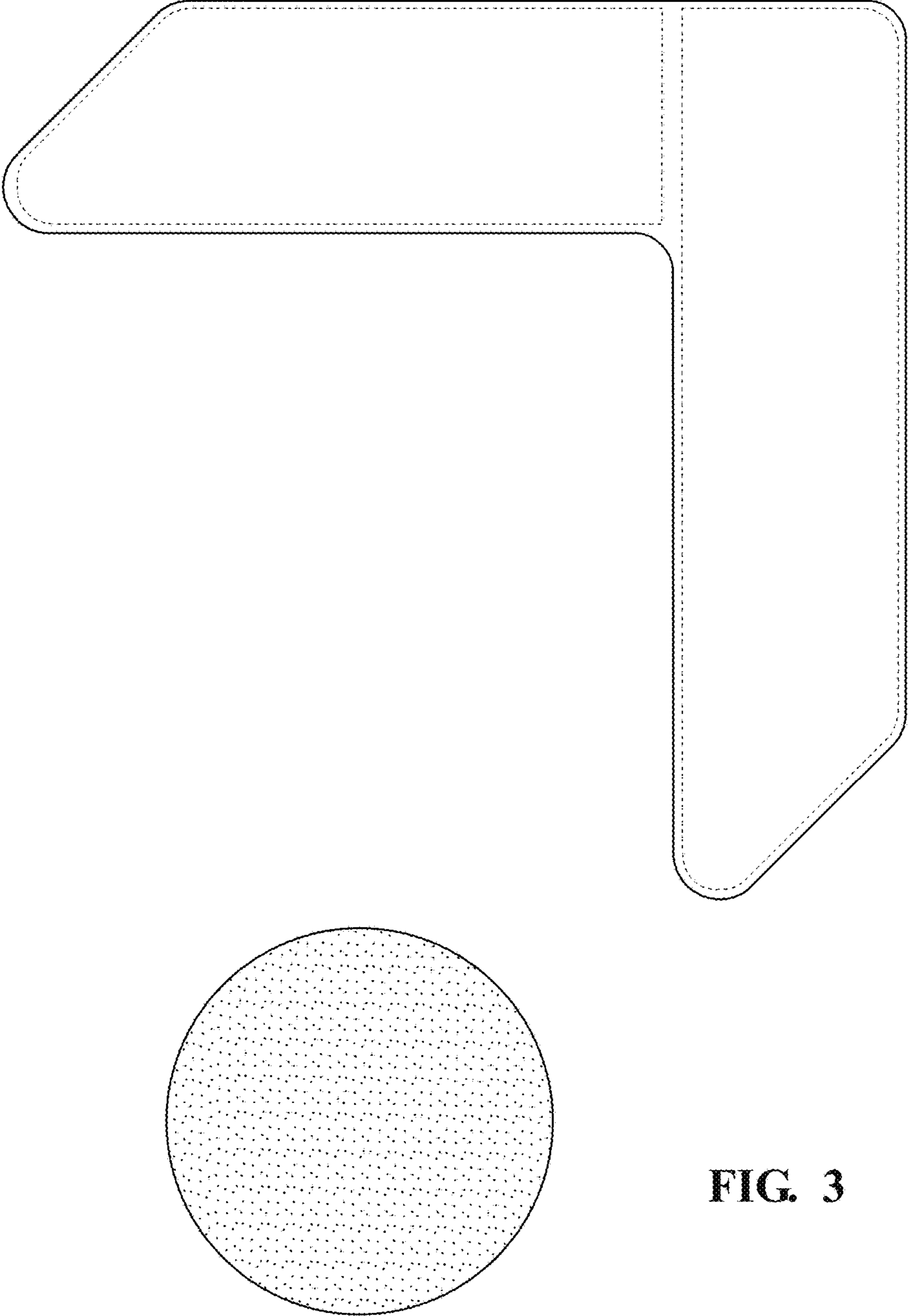


FIG. 2





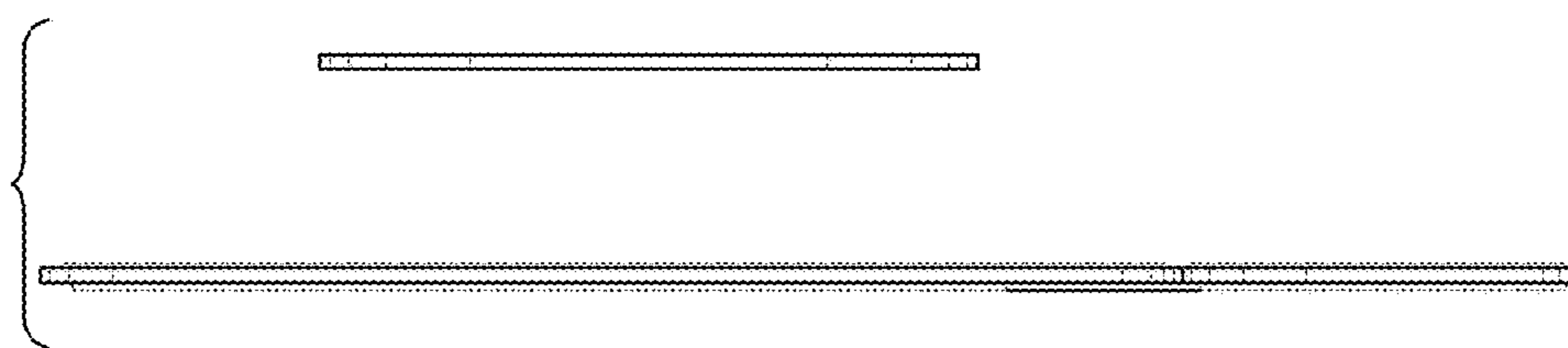


FIG. 4

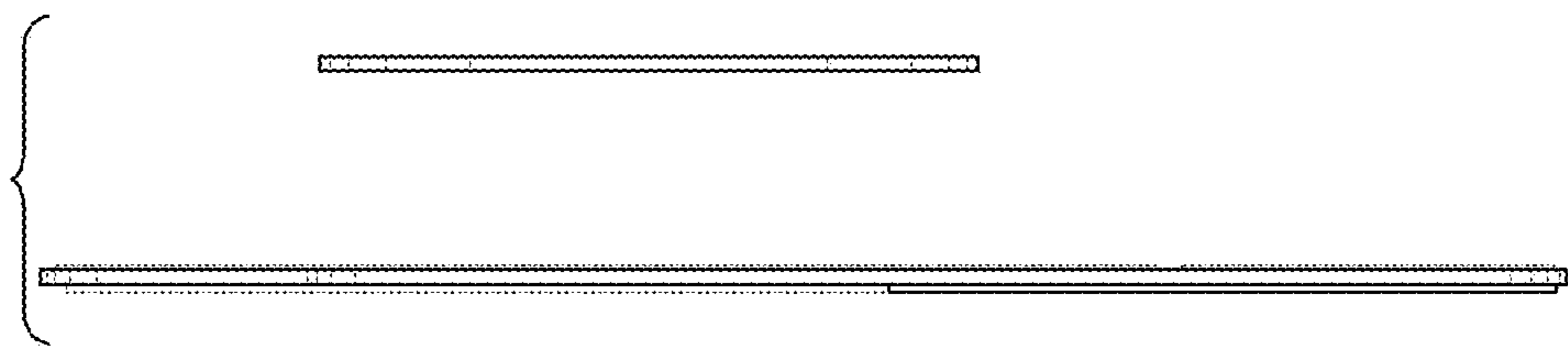


FIG. 5

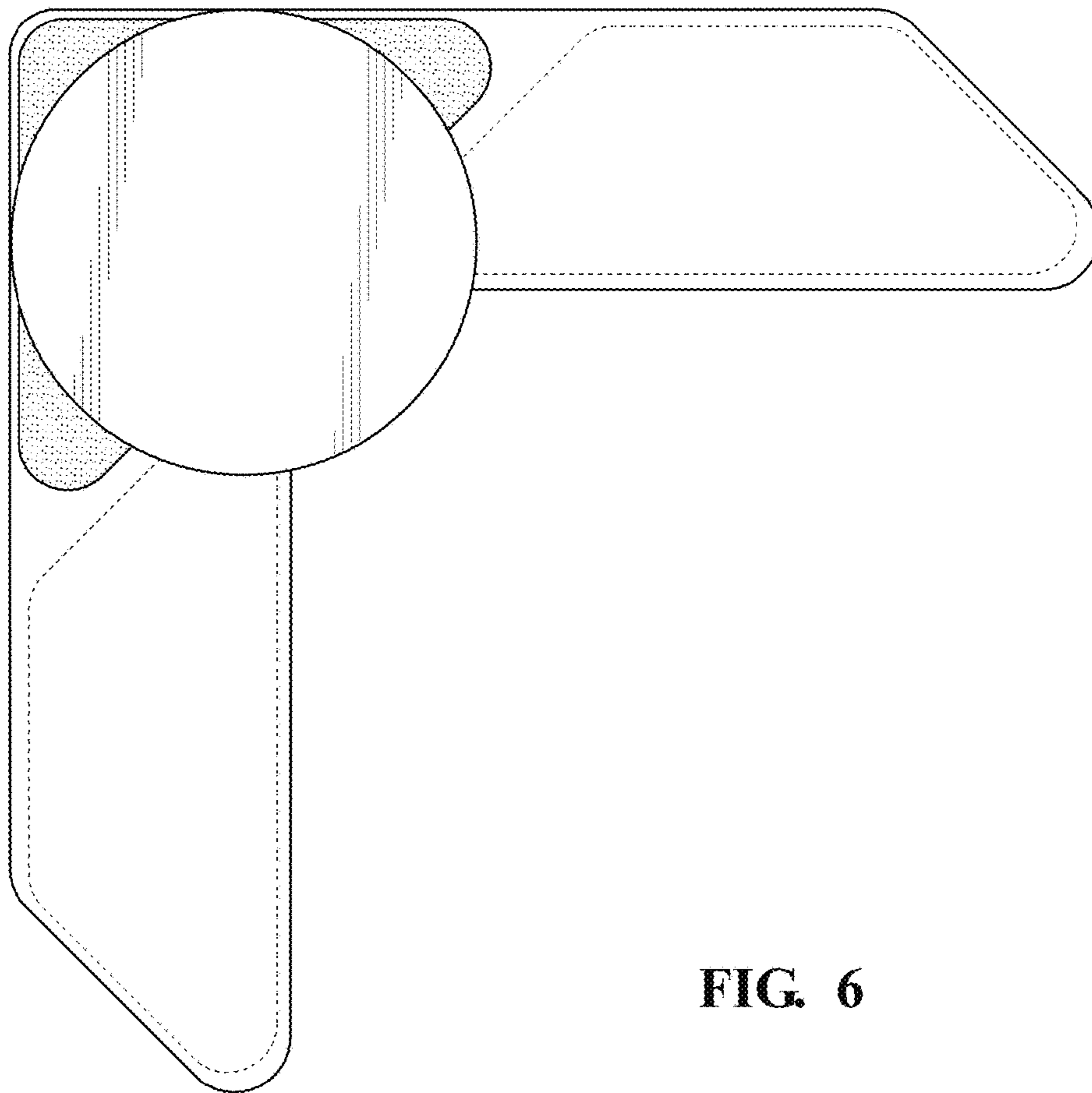


FIG. 6

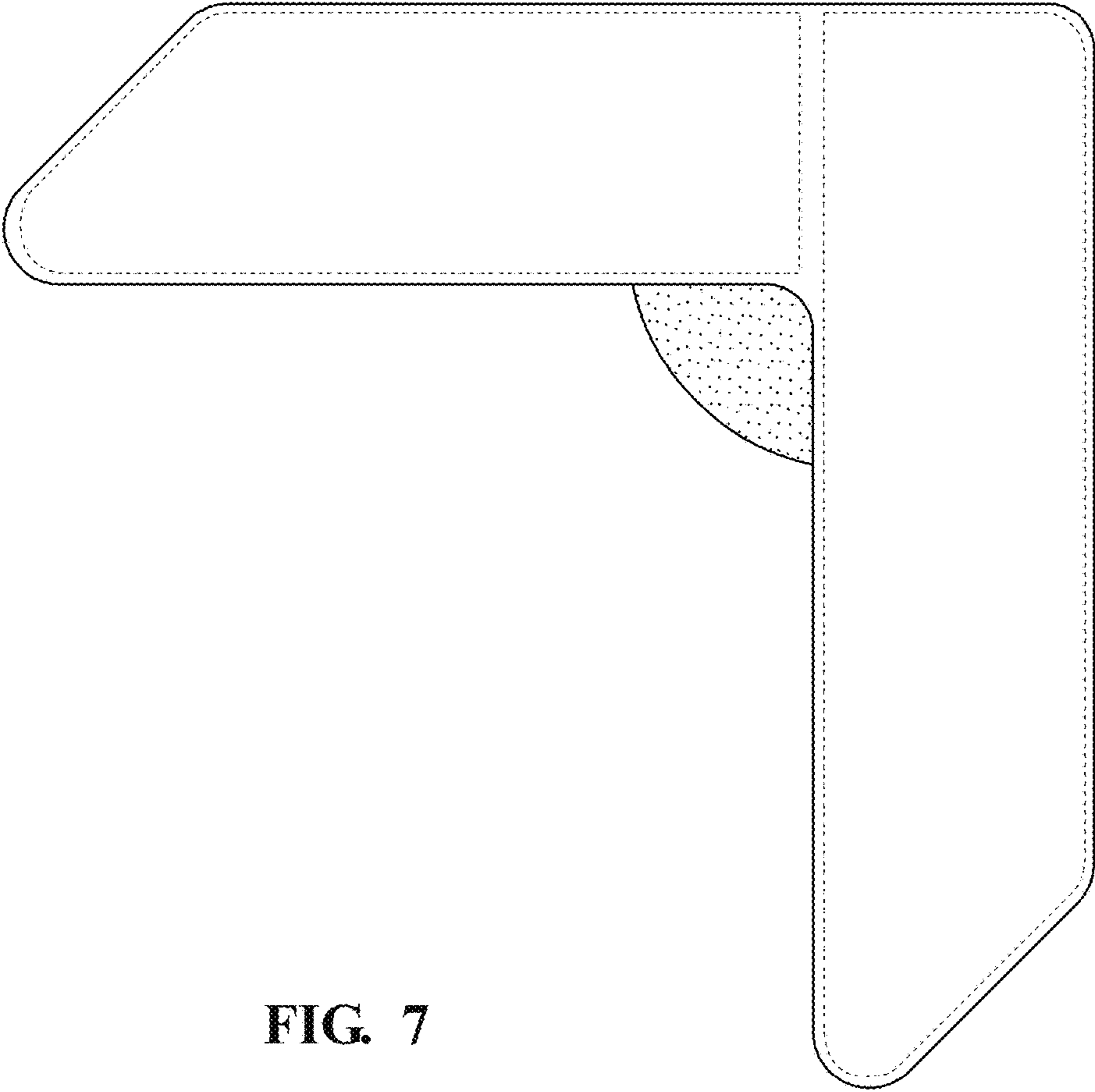


FIG. 7

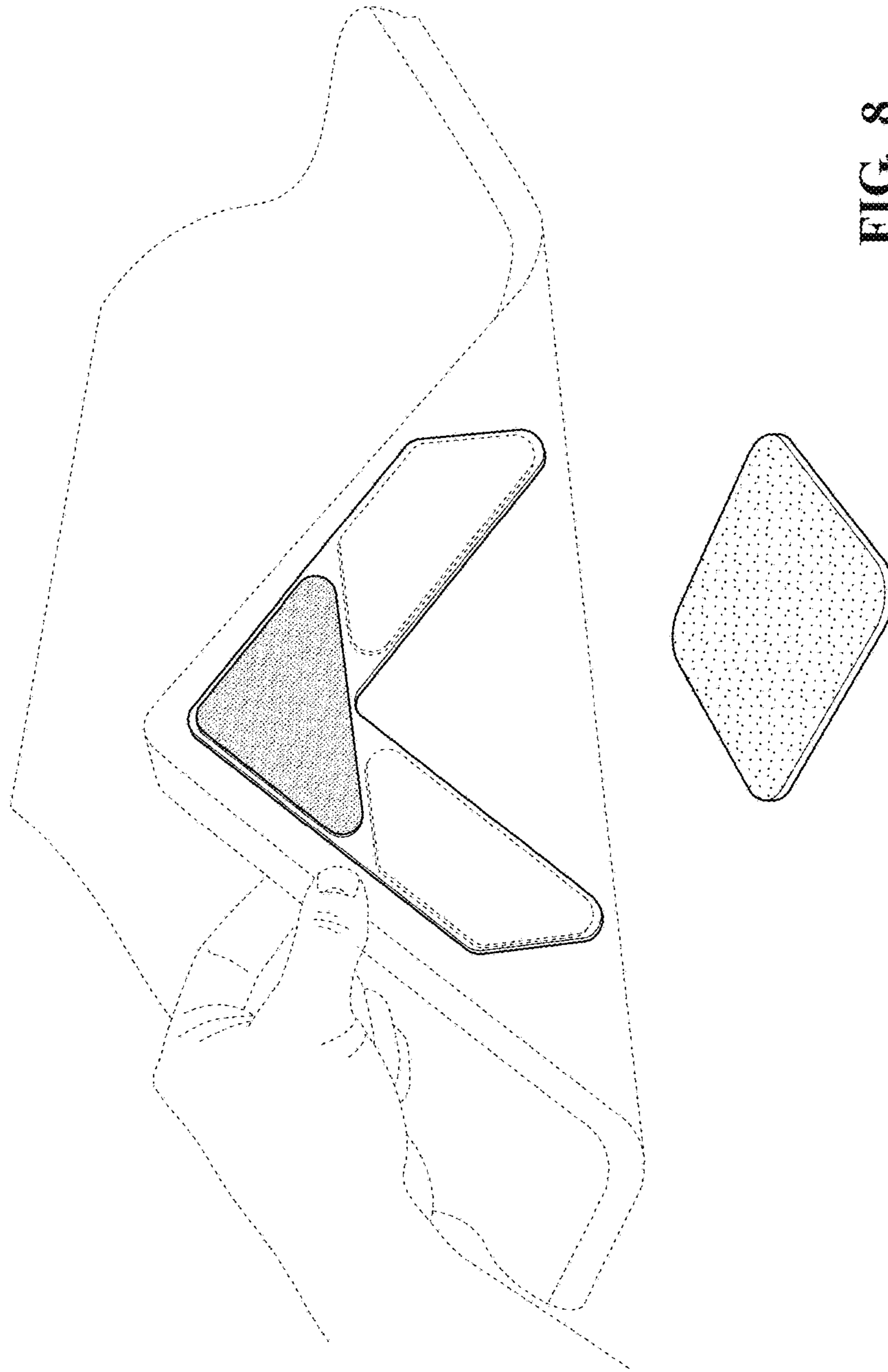


FIG. 8

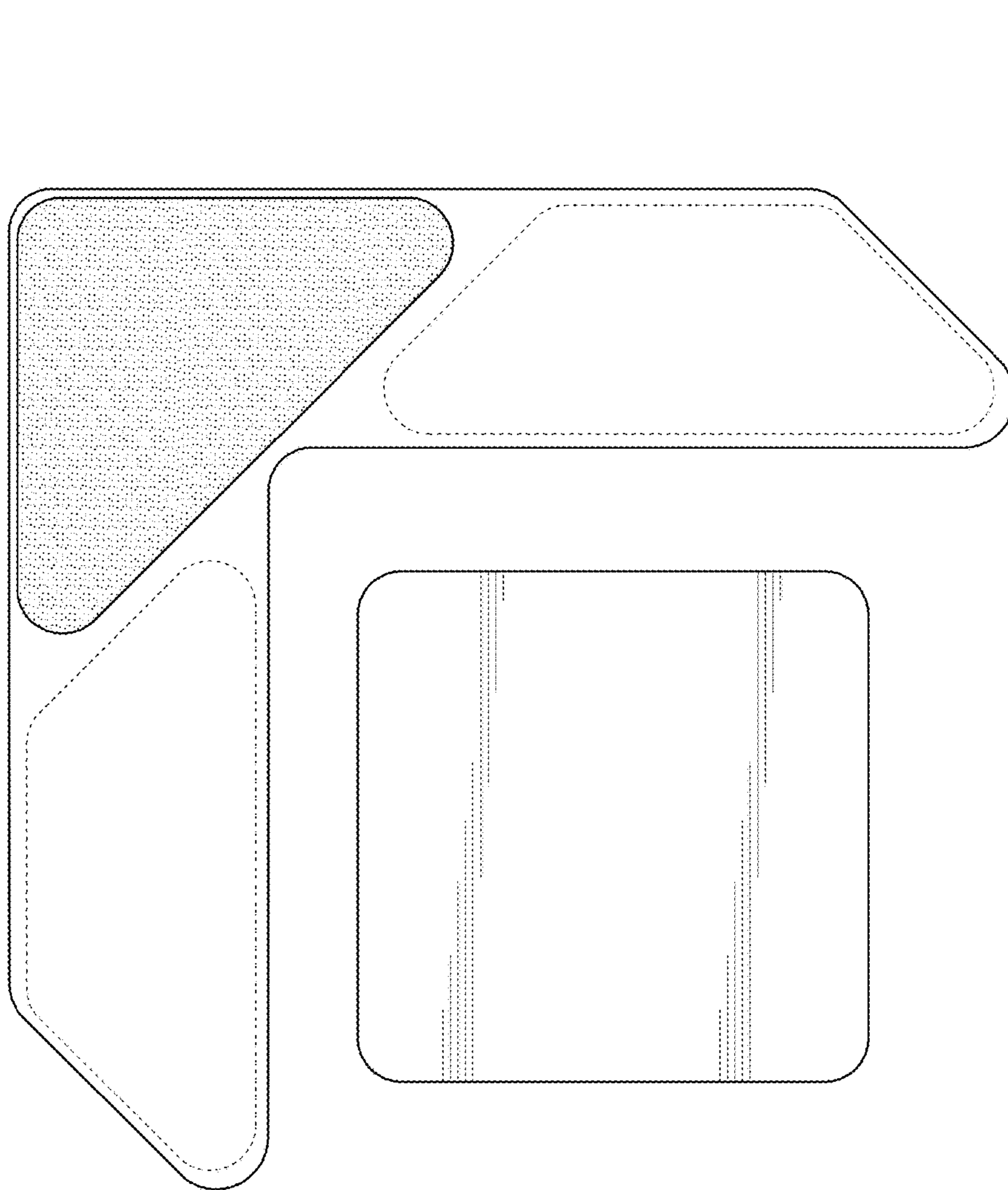


FIG. 9

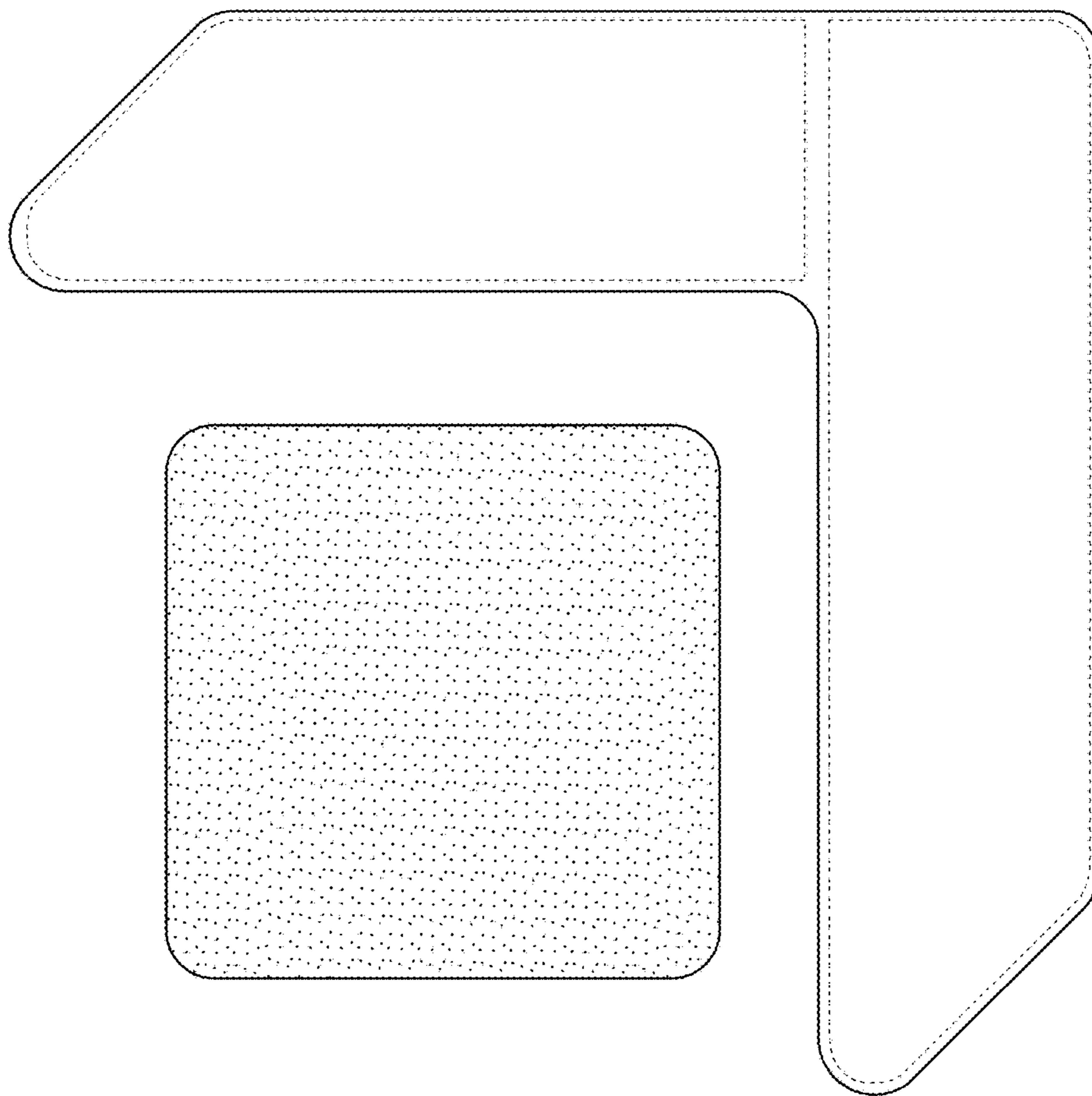


FIG. 10

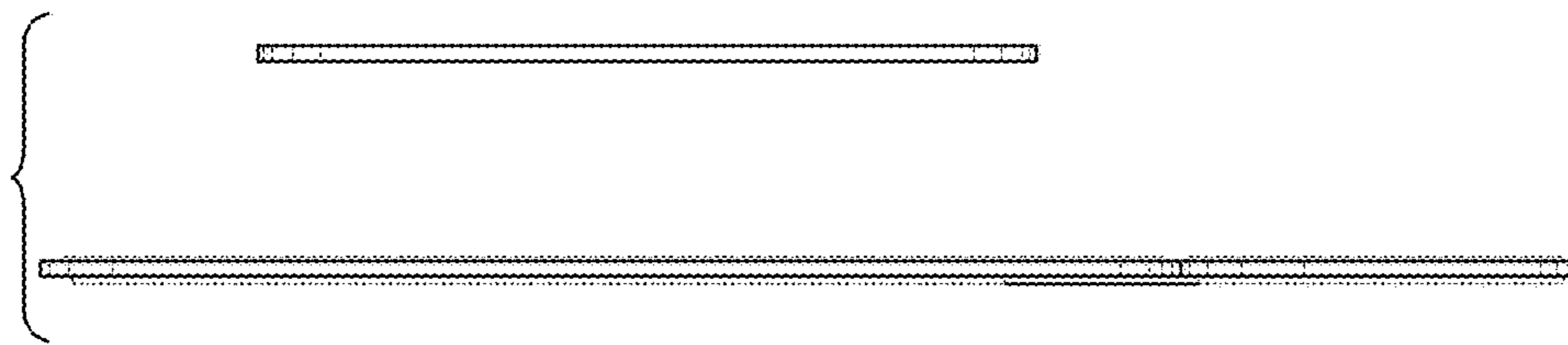


FIG. 11

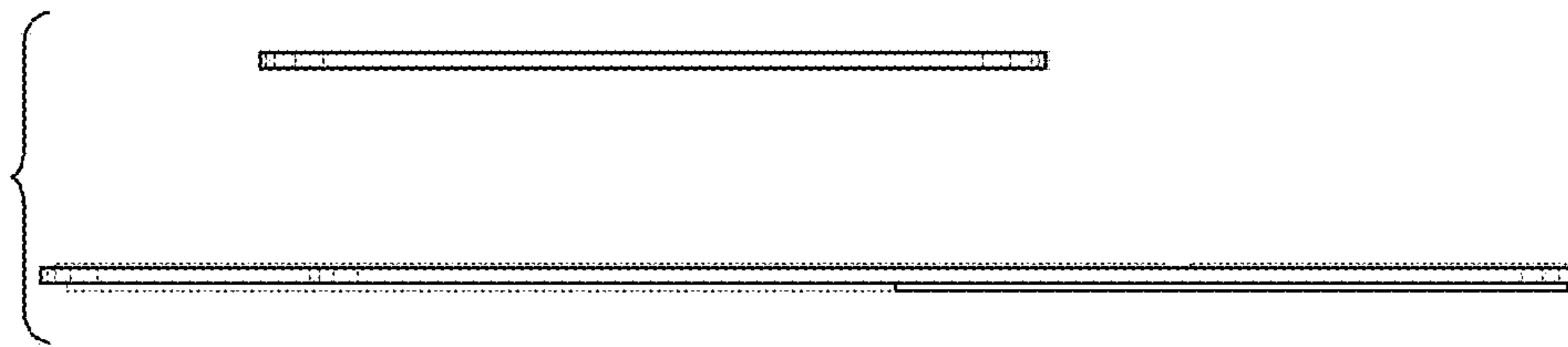


FIG. 12

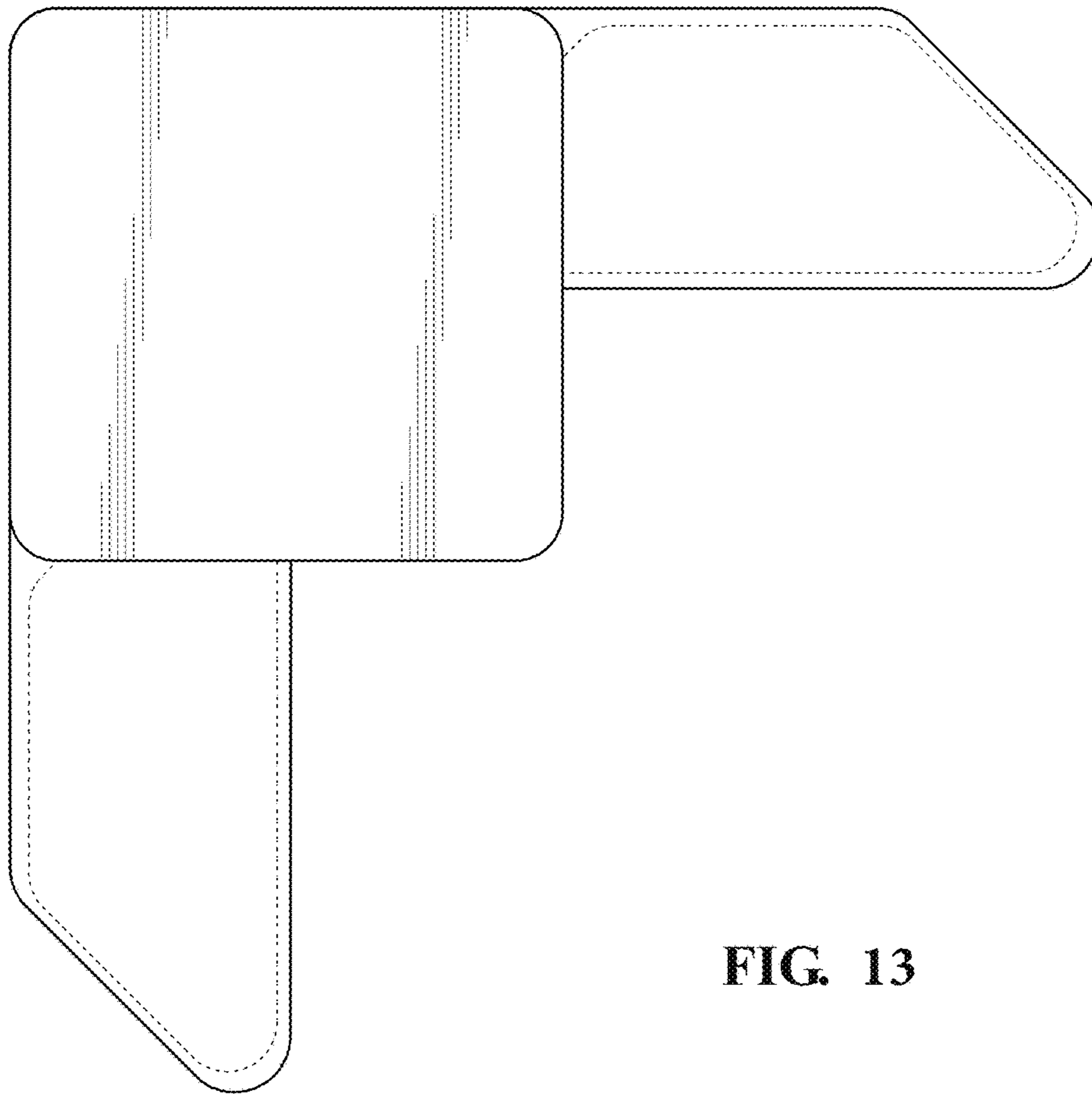


FIG. 13

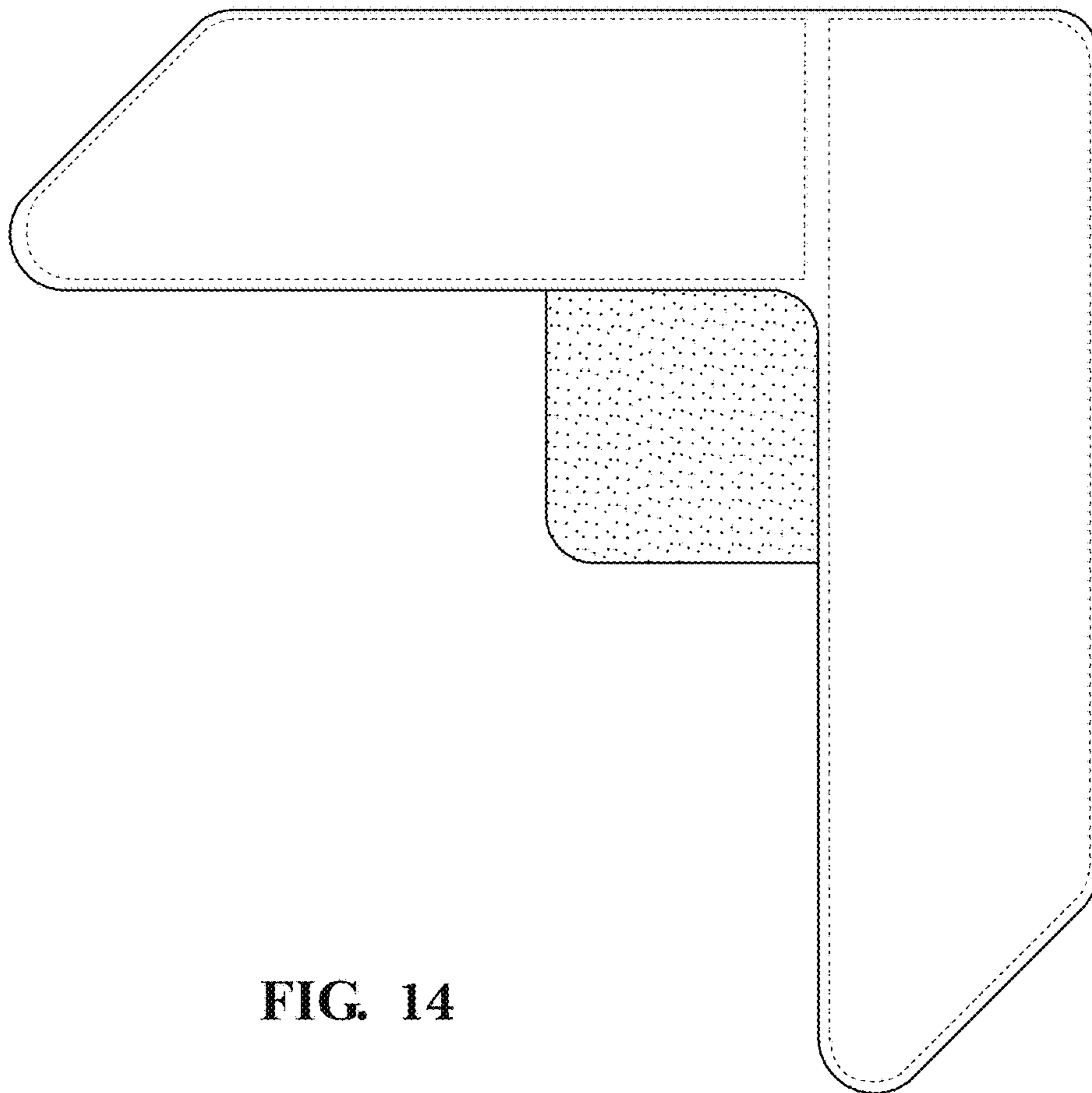


FIG. 14

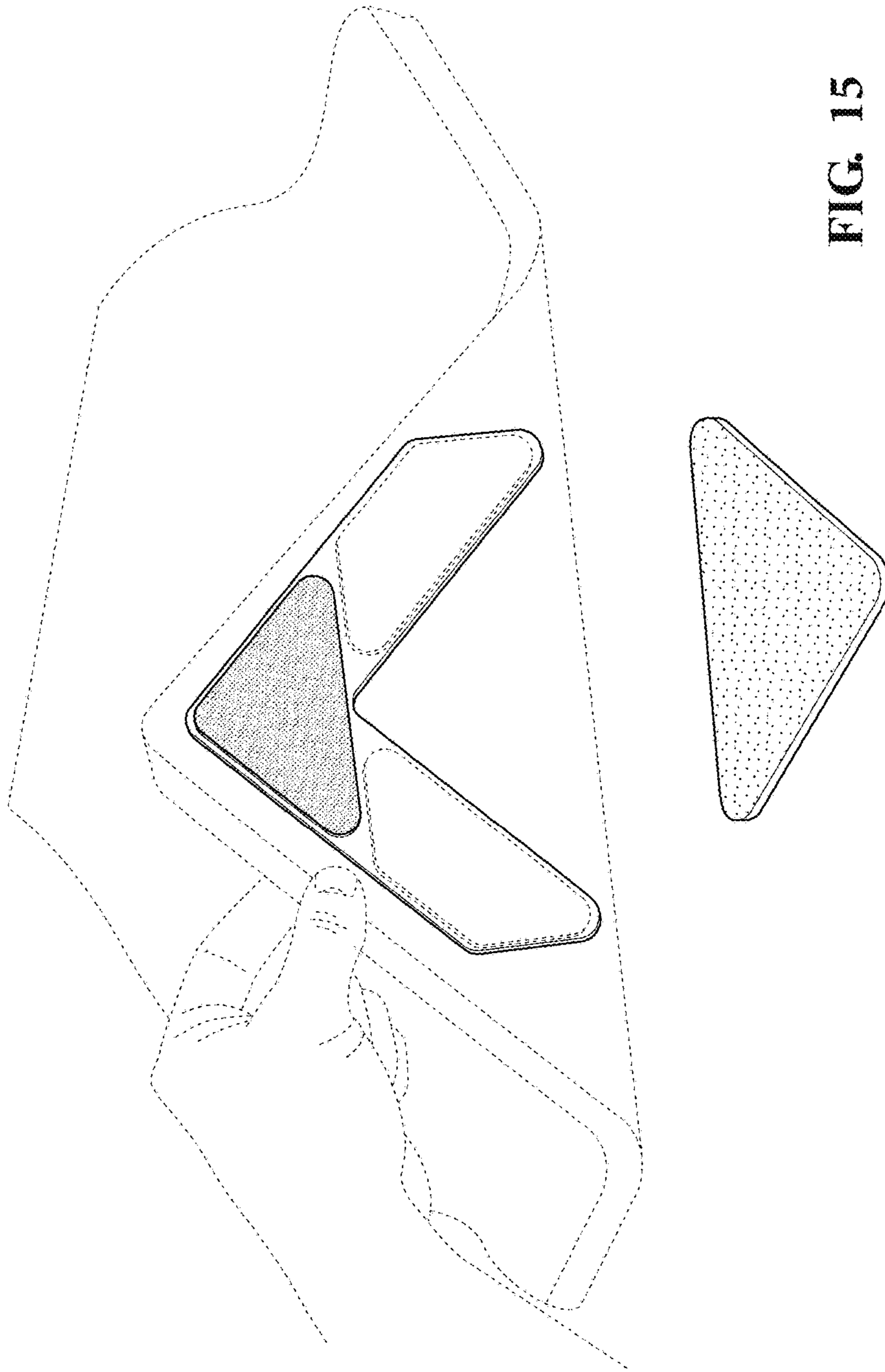


FIG. 15

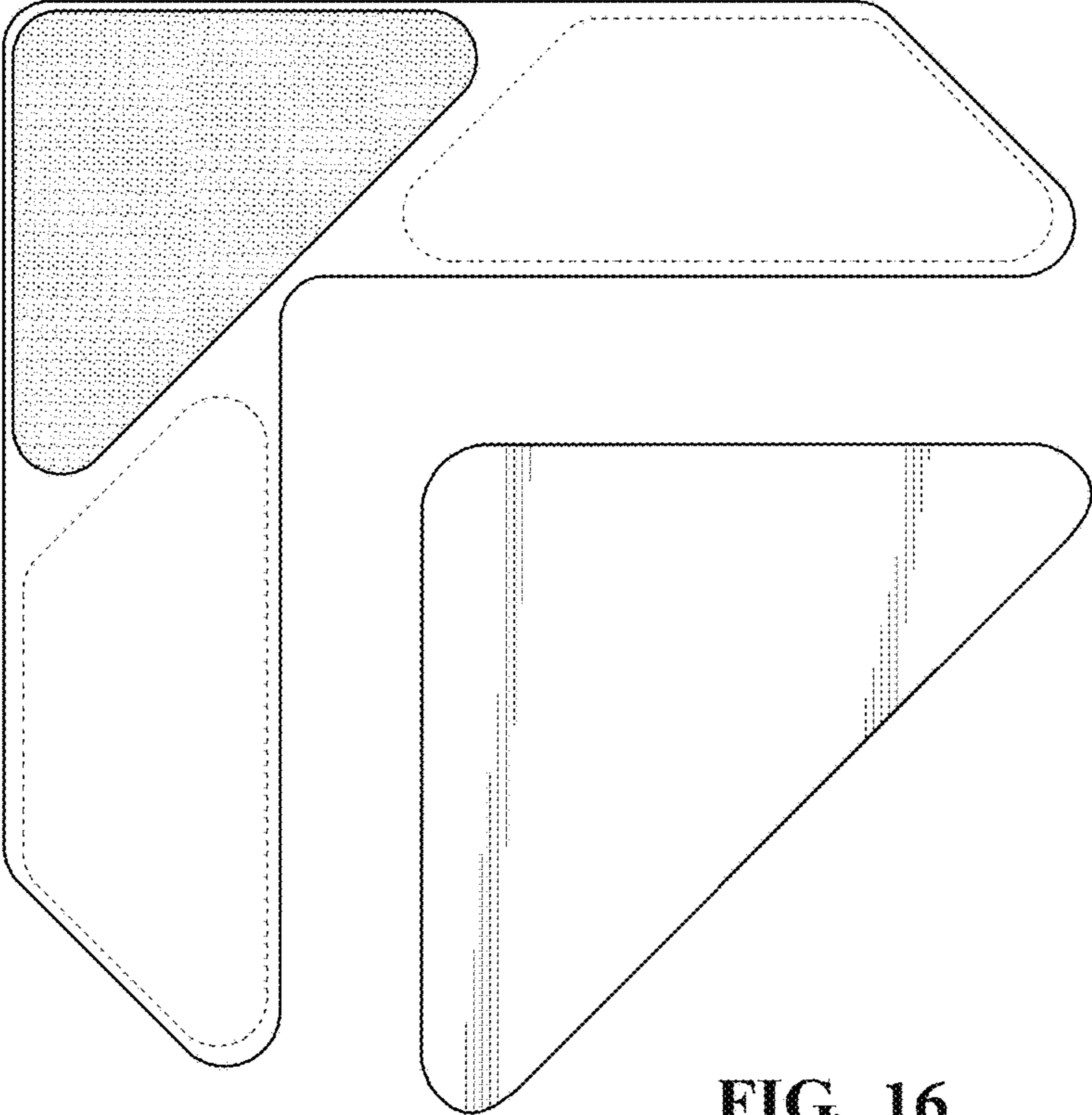


FIG. 16

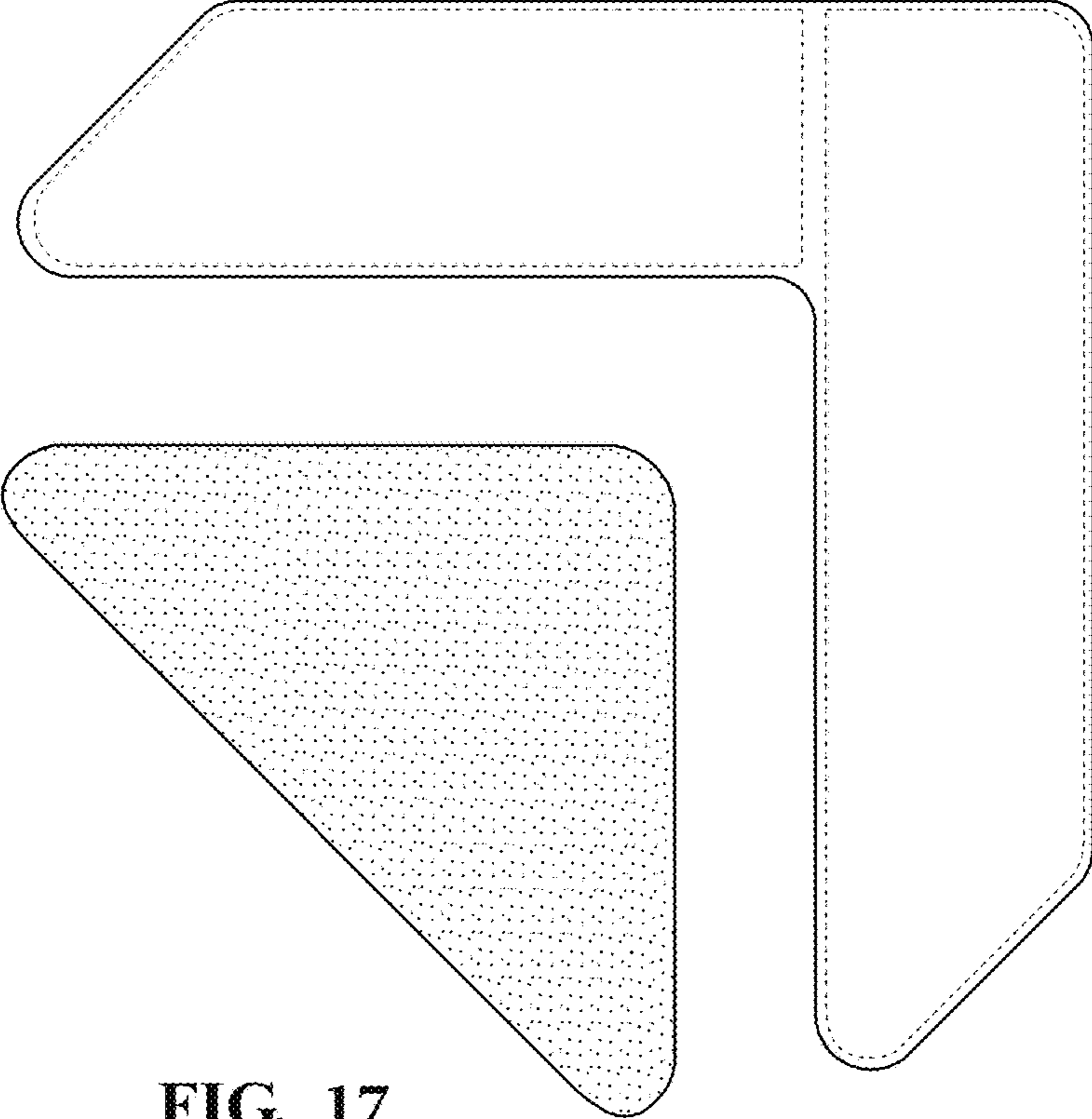


FIG. 17

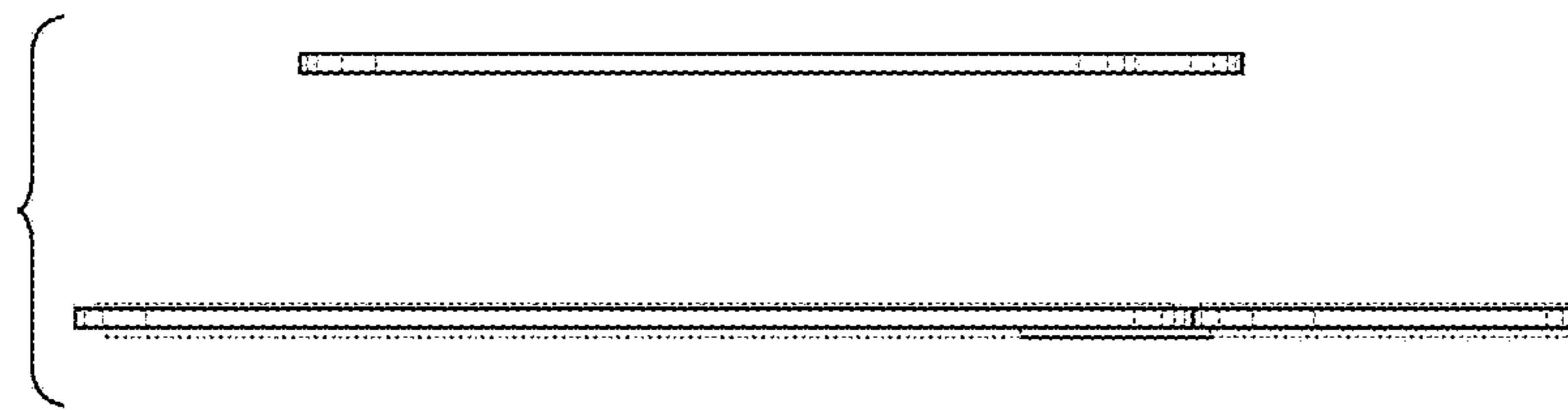


FIG. 18

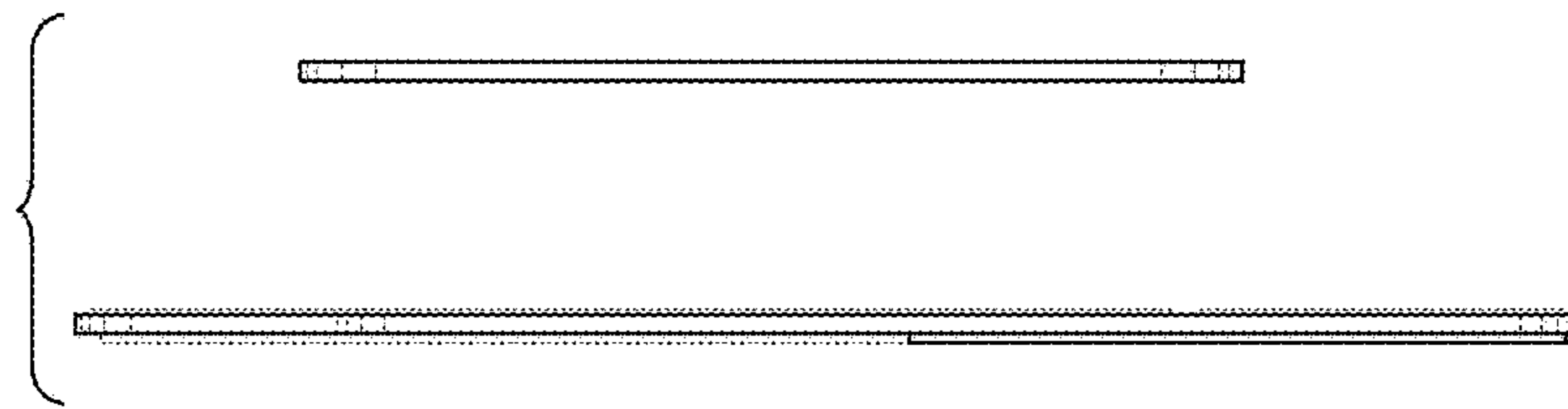


FIG. 19

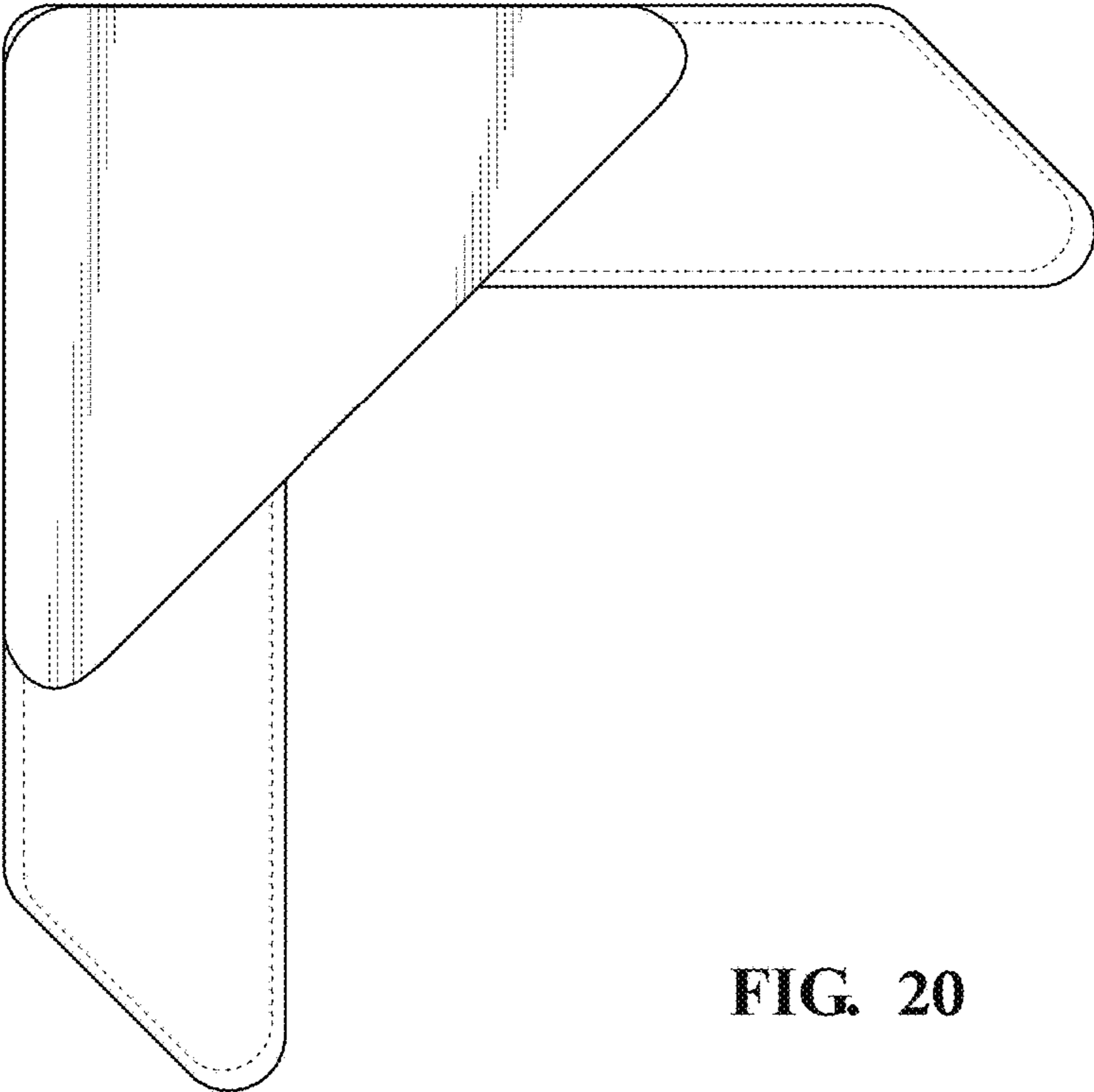


FIG. 20

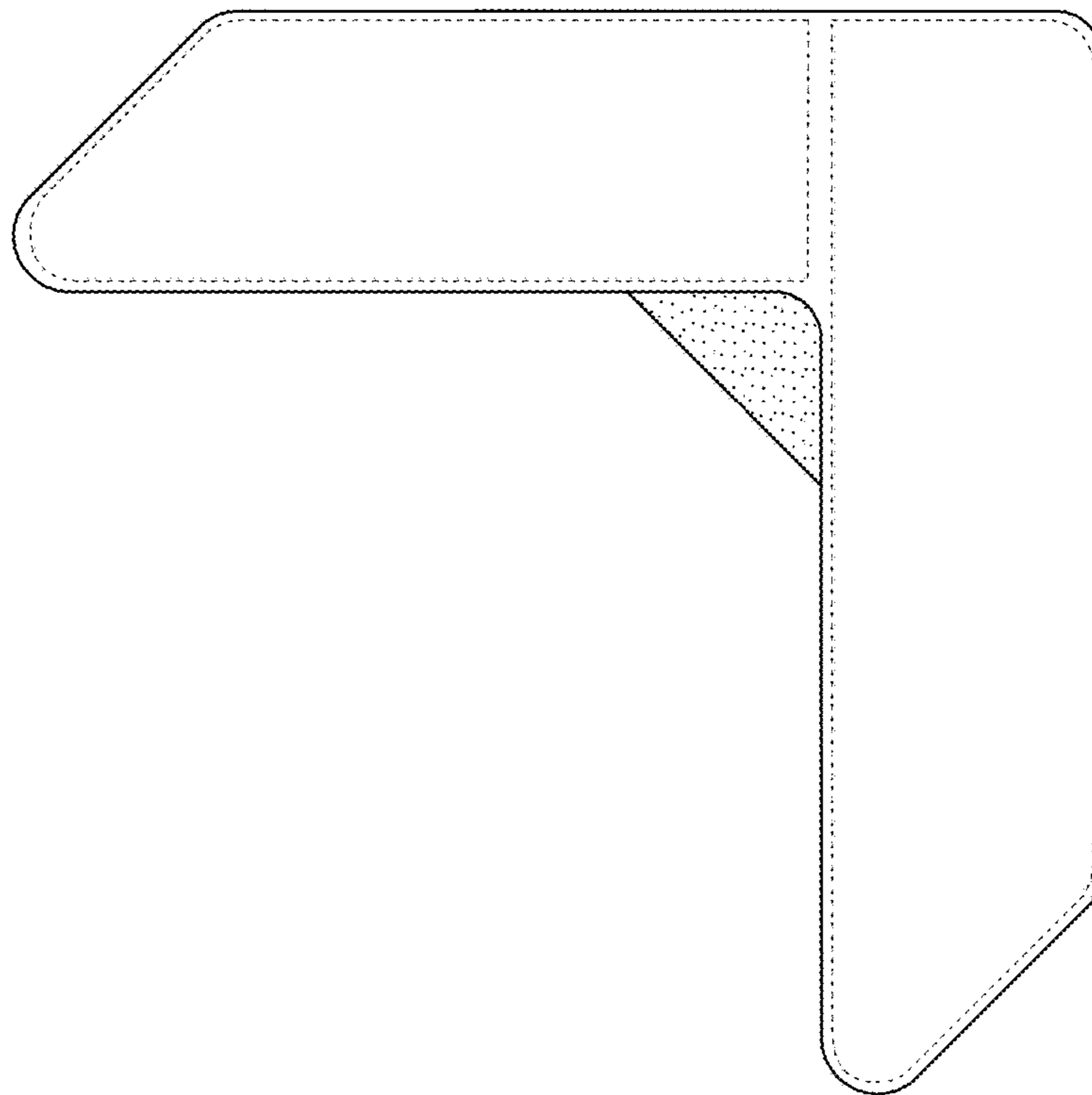


FIG. 21

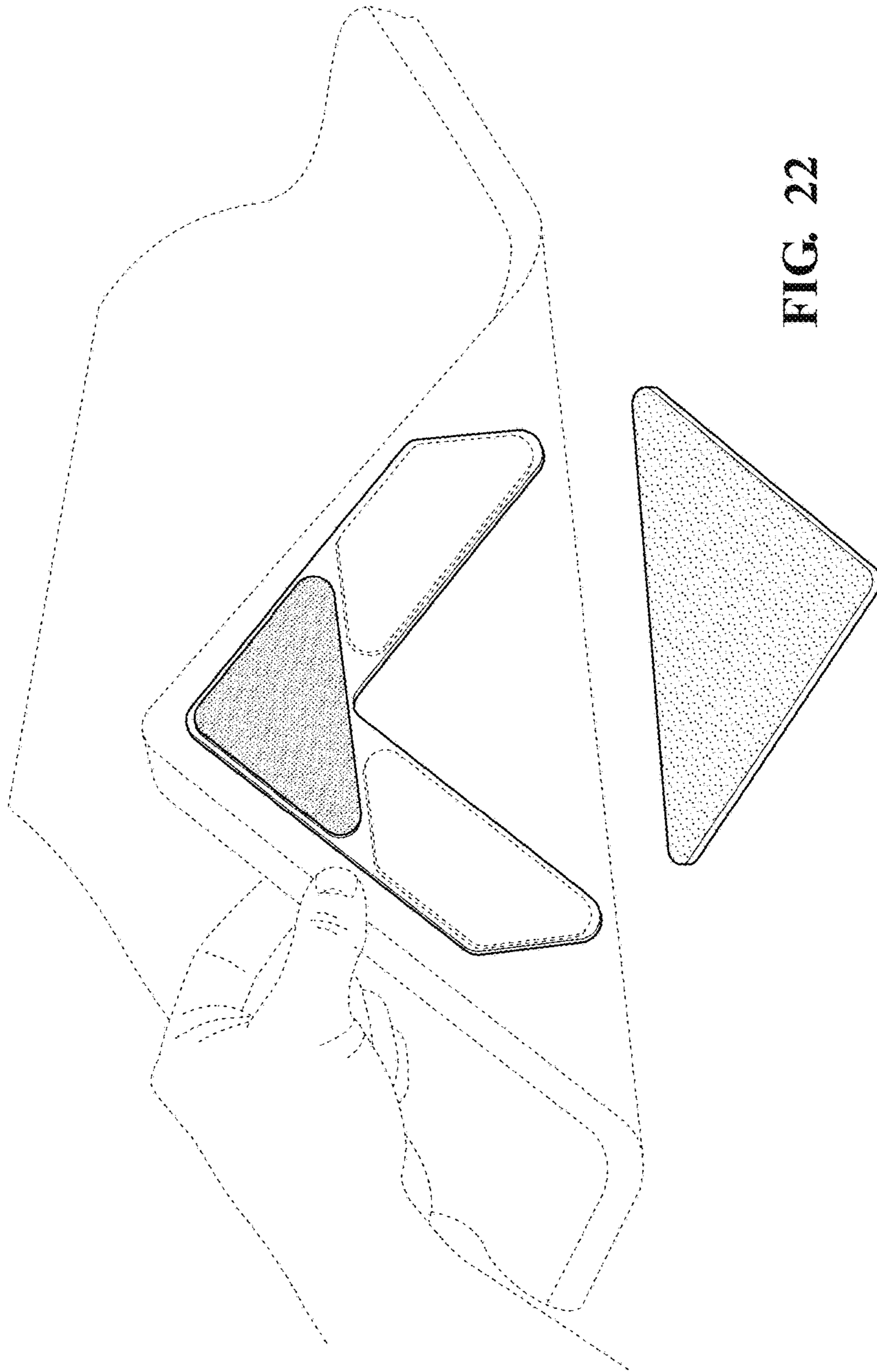


FIG. 22

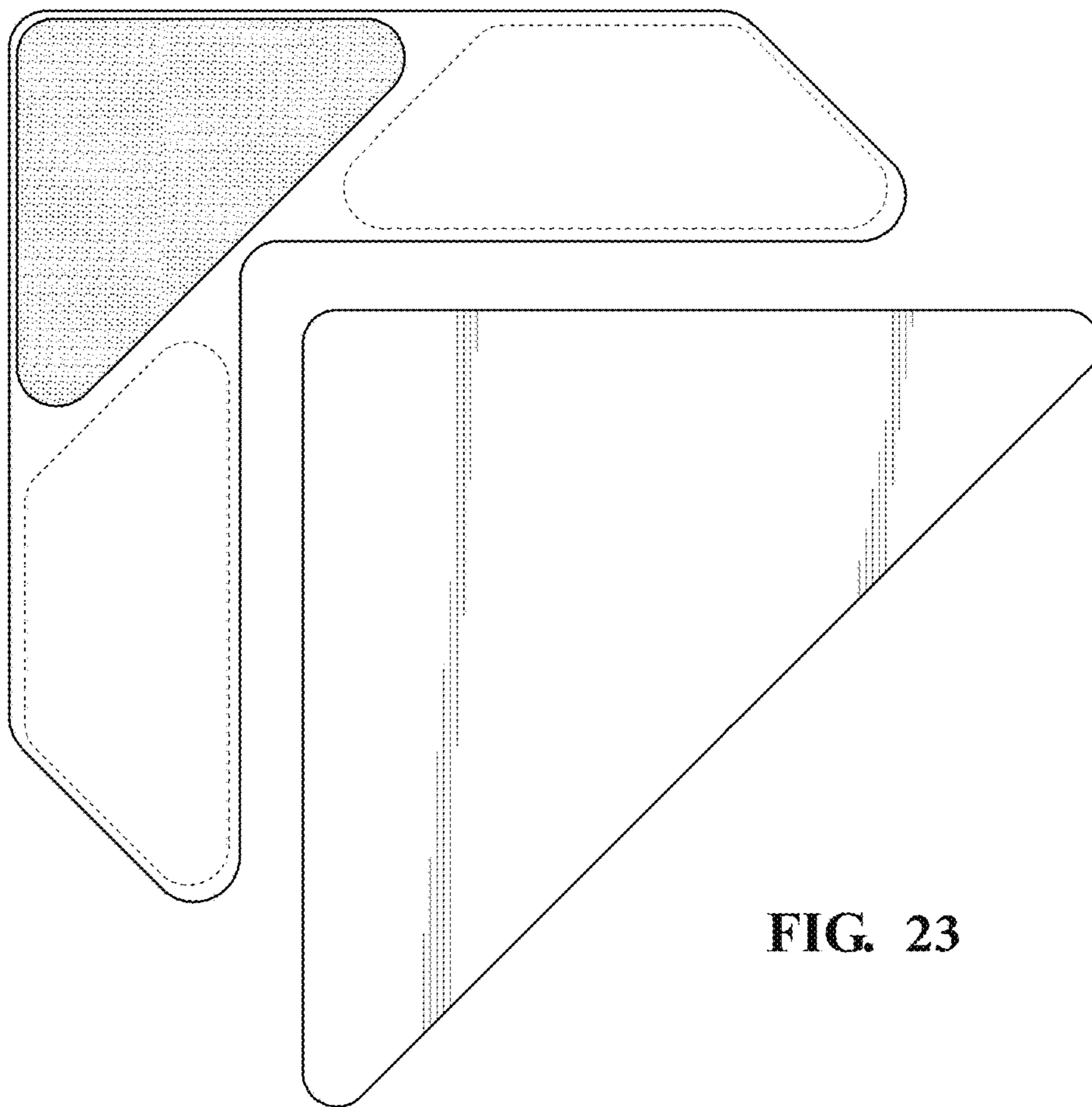


FIG. 23

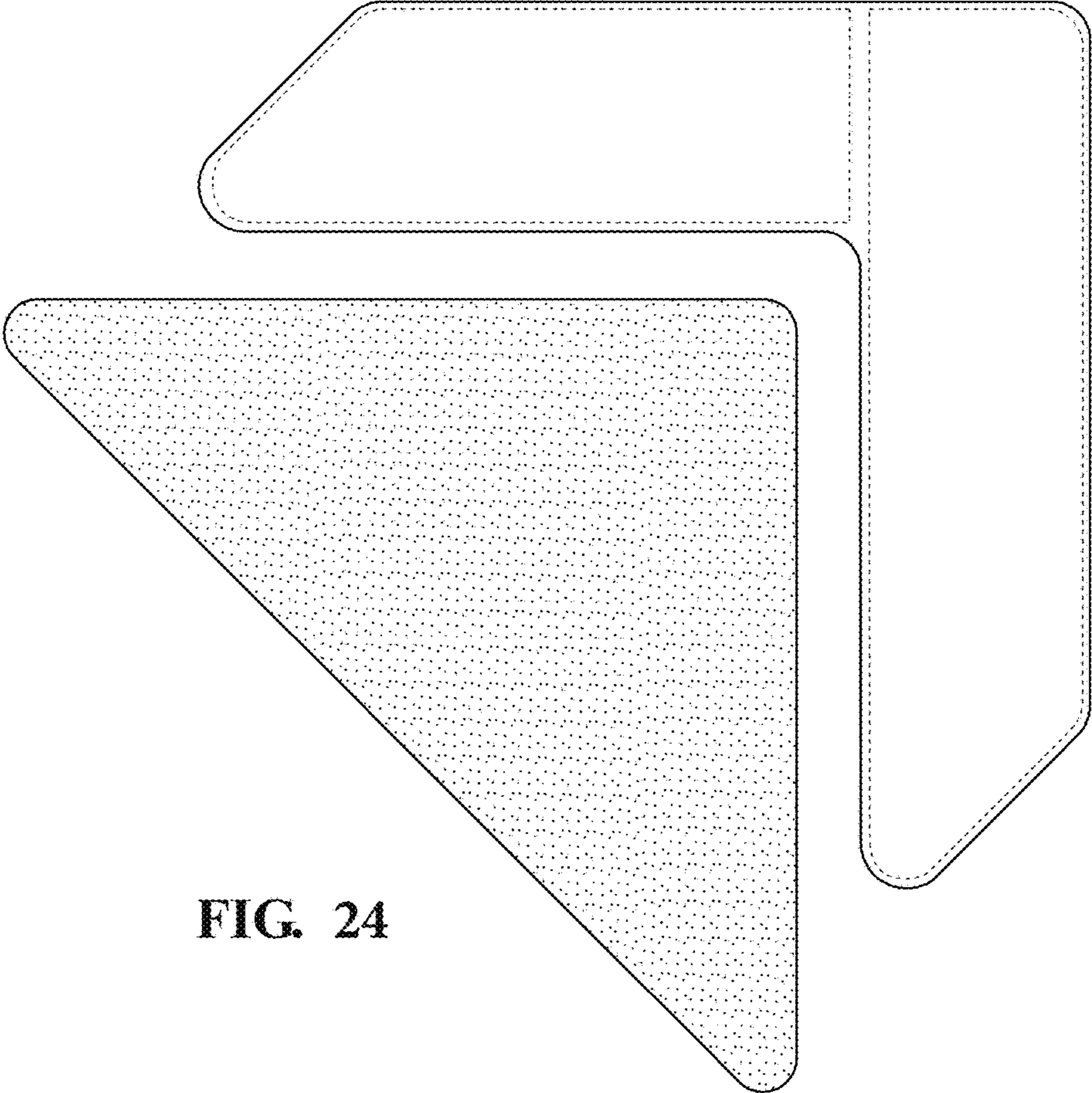


FIG. 24

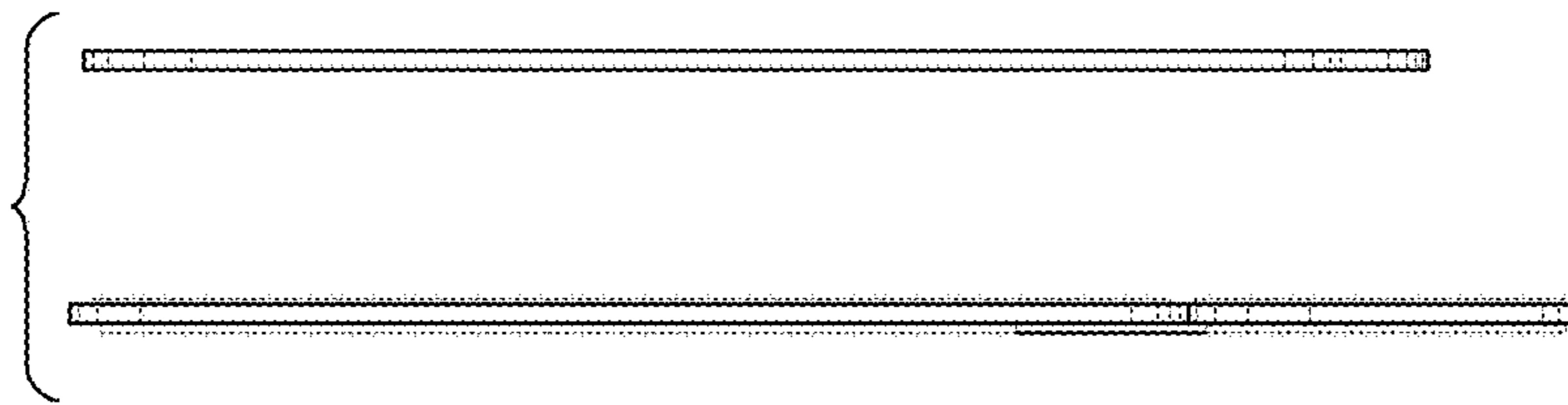


FIG. 25

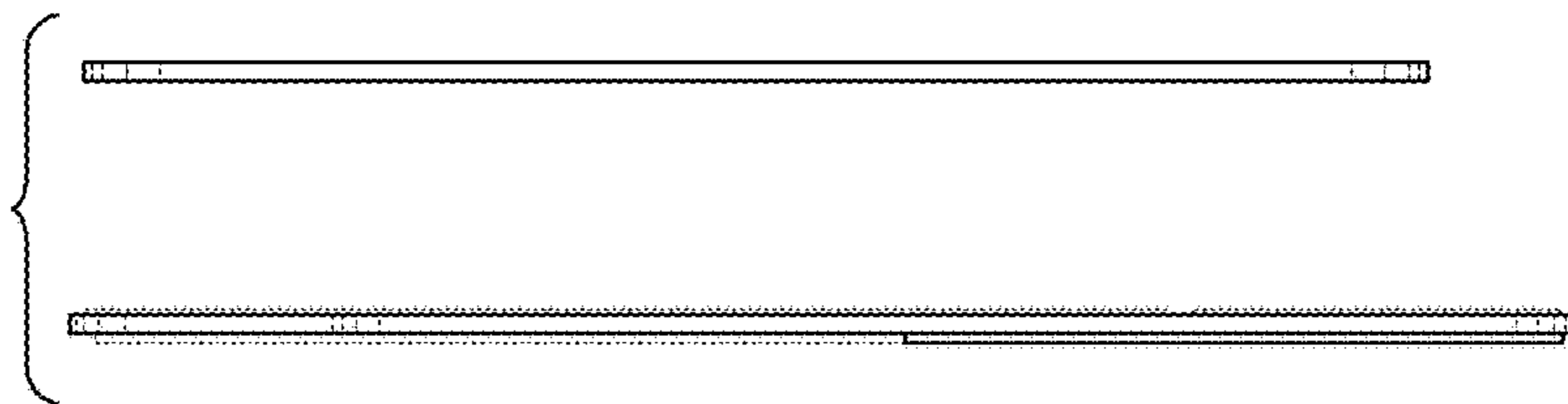


FIG. 26

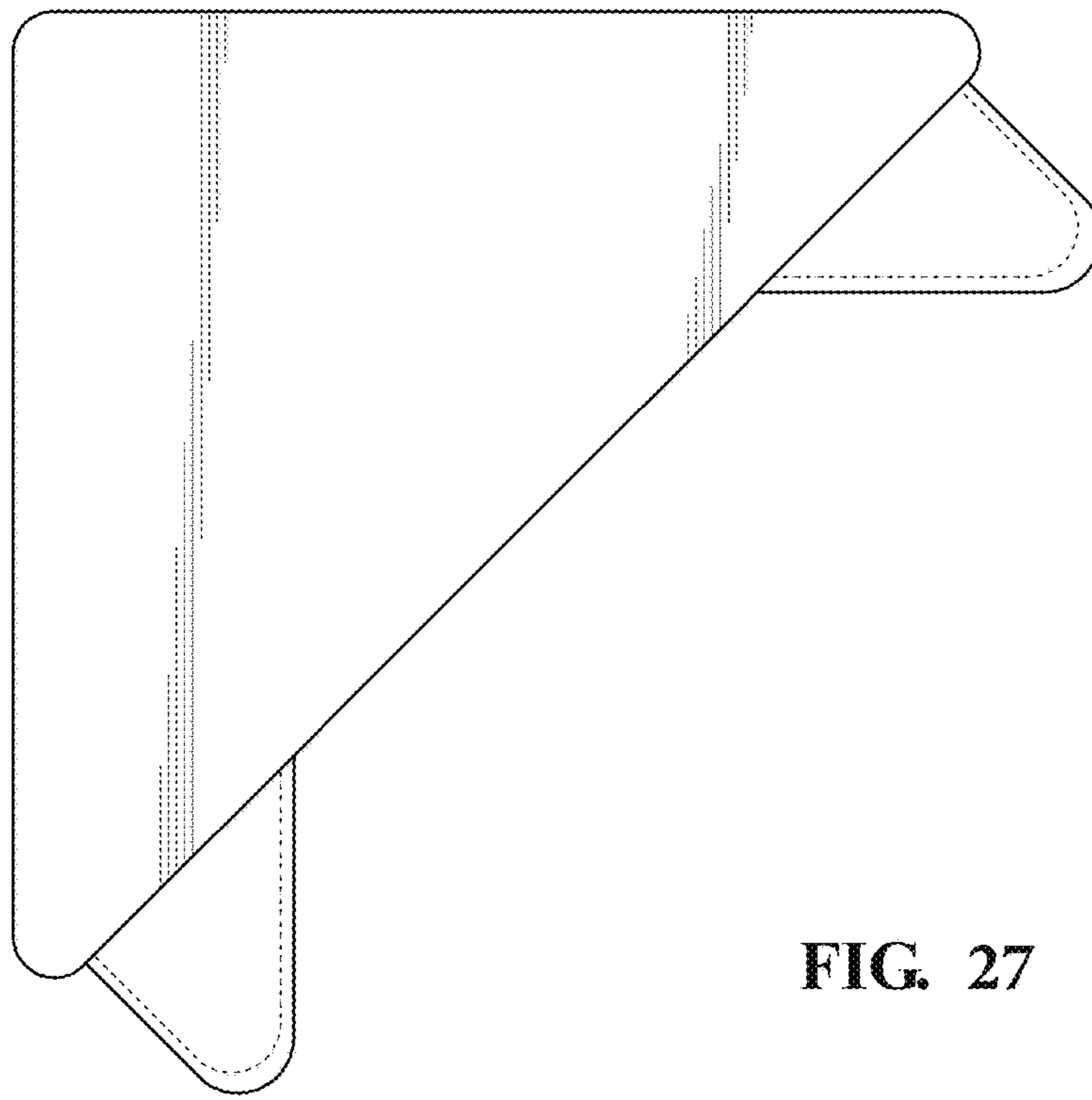


FIG. 27

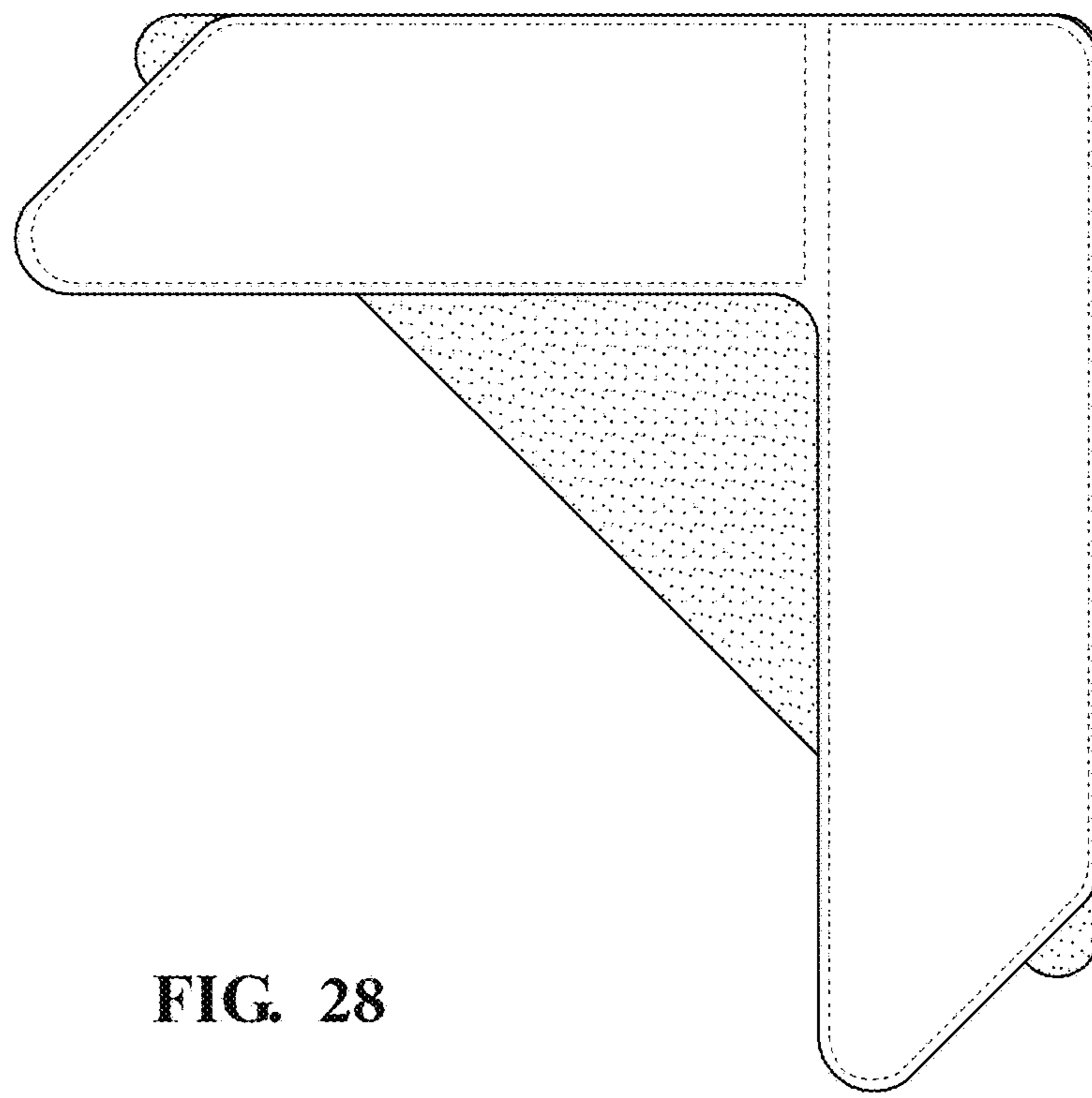


FIG. 28