



US00D873047S

(12) **United States Design Patent**
Wilkinson et al.

(10) **Patent No.:** **US D873,047 S**
(45) **Date of Patent:** **** Jan. 21, 2020**

(54) **CHAIR**

(71) Applicant: **FORMWAY FURNITURE LIMITED**,
Lower Hutt, Wellington (NZ)

(72) Inventors: **Paul Michael Wilkinson**, Wellington
(NZ); **Christopher Warren Bisman**,
Wellington (NZ); **Joshua Micheal
Bruderer**, Wellington (NZ)

(73) Assignee: **FORMWAY FURNITURE LIMITED**,
Wellington (NZ)

(**) Term: **15 Years**

(21) Appl. No.: **29/651,485**

(22) Filed: **Aug. 17, 2018**

(51) **LOC (12) Cl.** **06-01**

(52) **U.S. Cl.**
USPC **D6/380**

(58) **Field of Classification Search**
USPC D6/334, 335, 349, 352, 355, 363, 369,
D6/374–376, 378, 379–382, 601, 711,
D6/716–716.3

(Continued)

(56) **References Cited**

U.S. PATENT DOCUMENTS

D195,256 S * 5/1963 Andersen et al. D6/374
D540,562 S * 4/2007 Muller D6/381

(Continued)

OTHER PUBLICATIONS

Hay—Soft Edge, <https://hay.dk/en/hay/furniture-brand/seating-brand/chair-brand/soft-edge-chair/138501>, published prior to Aug. 17, 2018.

(Continued)

Primary Examiner — R. Johnson

(74) *Attorney, Agent, or Firm* — Workman Nydegger

(57) **CLAIM**

The ornamental design for a chair, as shown and described.

DESCRIPTION

FIG. 1 is a perspective view of a chair showing our new design;

FIG. 2 is a front elevational view thereof;

FIG. 3 is a rear elevational view thereof;

FIG. 4 is a right side elevational view thereof;

FIG. 5 is a left side elevational view thereof;

FIG. 6 is a top plan view thereof;

FIG. 7 is a bottom plan view thereof;

FIG. 8 is a perspective view of a second embodiment of the chair;

FIG. 9 is a front elevational view thereof;

FIG. 10 is a rear elevational view thereof;

FIG. 11 is a right side elevational view thereof;

FIG. 12 is a left side elevational view thereof;

FIG. 13 is a top plan view thereof;

FIG. 14 is a bottom plan view thereof;

FIG. 15 is a perspective view of a third embodiment of the chair;

FIG. 16 is a front elevational view thereof;

FIG. 17 is a rear elevational view thereof;

FIG. 18 is a right side elevational view thereof;

FIG. 19 is a left side elevational view thereof;

FIG. 20 is a top plan view thereof;

FIG. 21 is a bottom plan view thereof;

FIG. 22 is a perspective view of a fourth embodiment of the chair;

FIG. 23 is a front elevational view thereof;

FIG. 24 is a rear elevational view thereof;

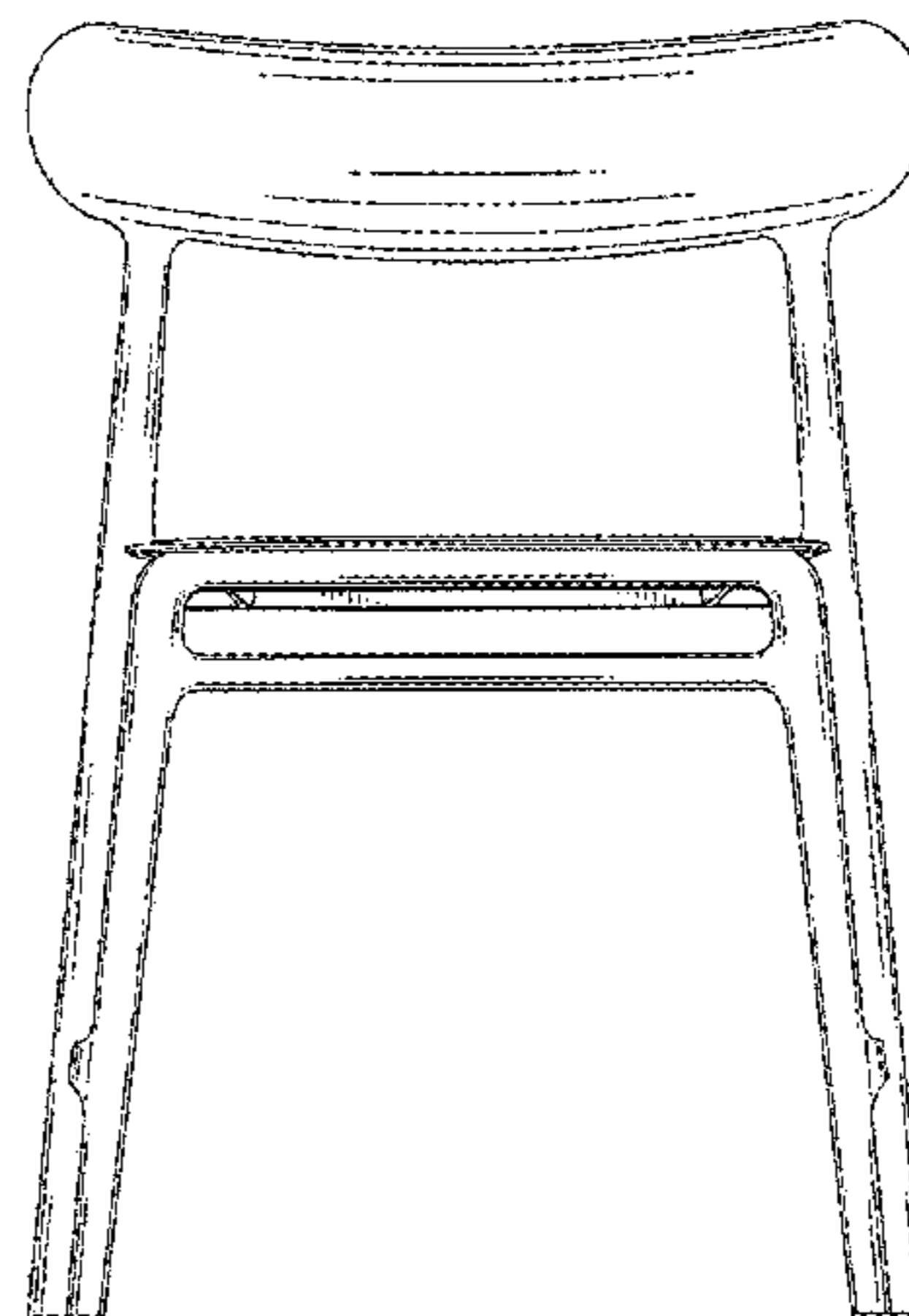
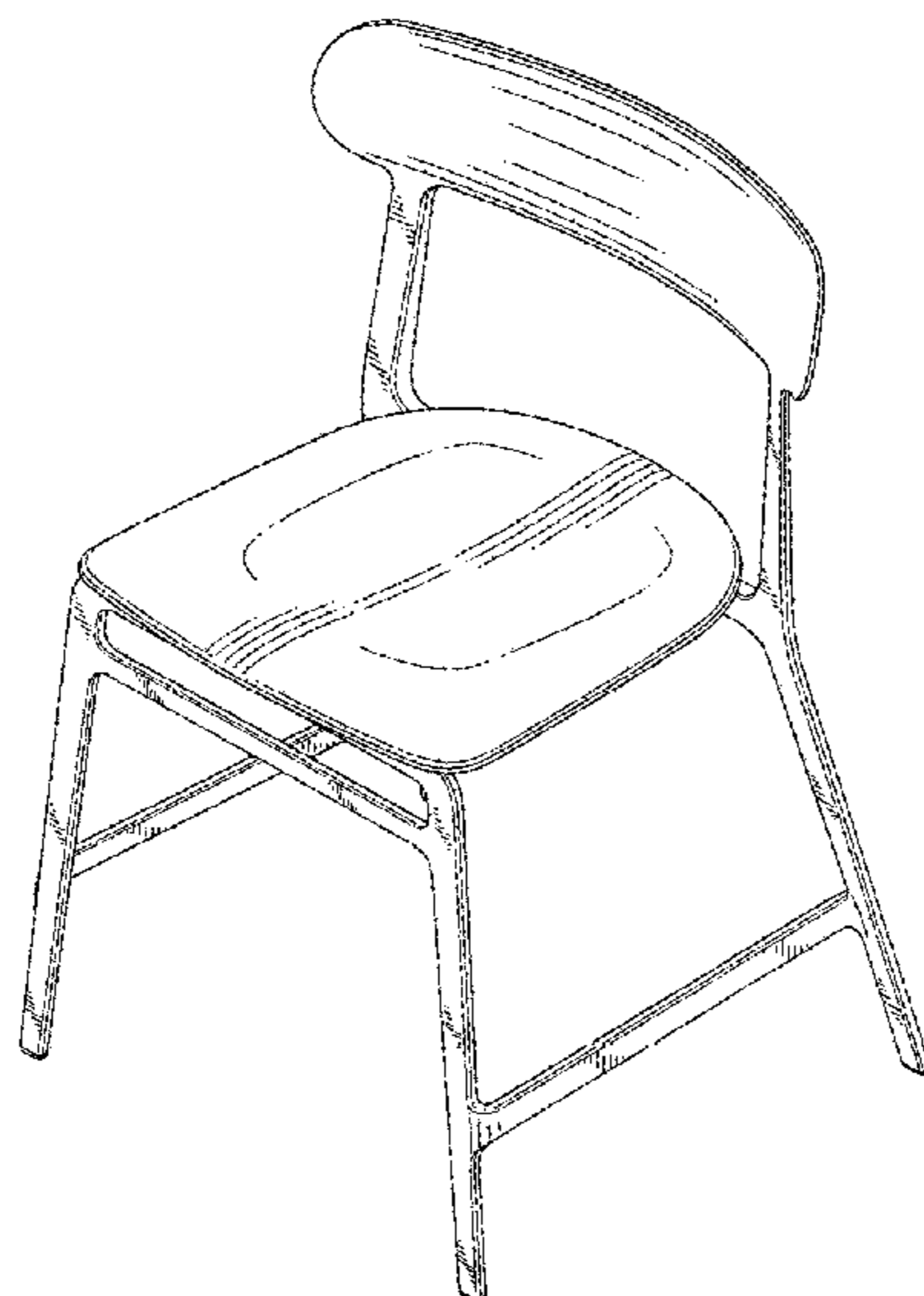
FIG. 25 is a right side elevational view thereof;

FIG. 26 is a left side elevational view thereof;

FIG. 27 is a top plan view thereof; and,

FIG. 28 is a bottom plan view thereof.

1 Claim, 28 Drawing Sheets



(58) **Field of Classification Search**

CPC A47C 1/16; A47C 3/04; A47C 3/12; A47C
5/02; A47C 5/04; A47C 5/14; A47C 7/02;
A47C 7/16; A47C 7/18; A47C 7/24;
A47C 7/40; A47C 7/56; A47C 11/00;
A47C 11/005; A47C 13/005; A47C
15/002; A47C 17/02

See application file for complete search history.

(56) **References Cited**

U.S. PATENT DOCUMENTS

D740,045 S * 10/2015 Wilkinson D6/376
D799,848 S 10/2017 Morrison
D834,850 S * 12/2018 Davis D6/380

OTHER PUBLICATIONS

Cassina—Superleggera, <https://www.cassina.com/en/collection/chairs/699-superleggera>, published prior to Aug. 17, 2018.

Maruni—Lightwood, <http://www.maruni.com/en/product/concept/lightwood/>, published prior to Aug. 17, 2018.

Magis—Trattoria, <http://www.designboom.com/design/jasper-morrison-trattoria-chair-for-magis/>, published prior to Aug. 17, 2018.

Magis—Mariolina, http://www.magisdesign.com/elenco_prodotti/mariolina/, published prior to Aug. 17, 2018.

Normann Copenhagen—Herit, <https://www.normann-copenhagen.com/en/Products/Furniture/Chairs/Dining-Chairs/Herit-Chair-Oak-White-1401000>, published prior to Aug. 17, 2018.

Hans Wegner/Carl Hansen—CH23 chair, <https://www.danishdesignstore.com/collections/designer-collections-hans-wegner/products/wegner-ch23-chair-carl-hansen-son>, published prior to Aug. 17, 2018.

Photographs of chairs, published prior to Aug. 17, 2018.

* cited by examiner

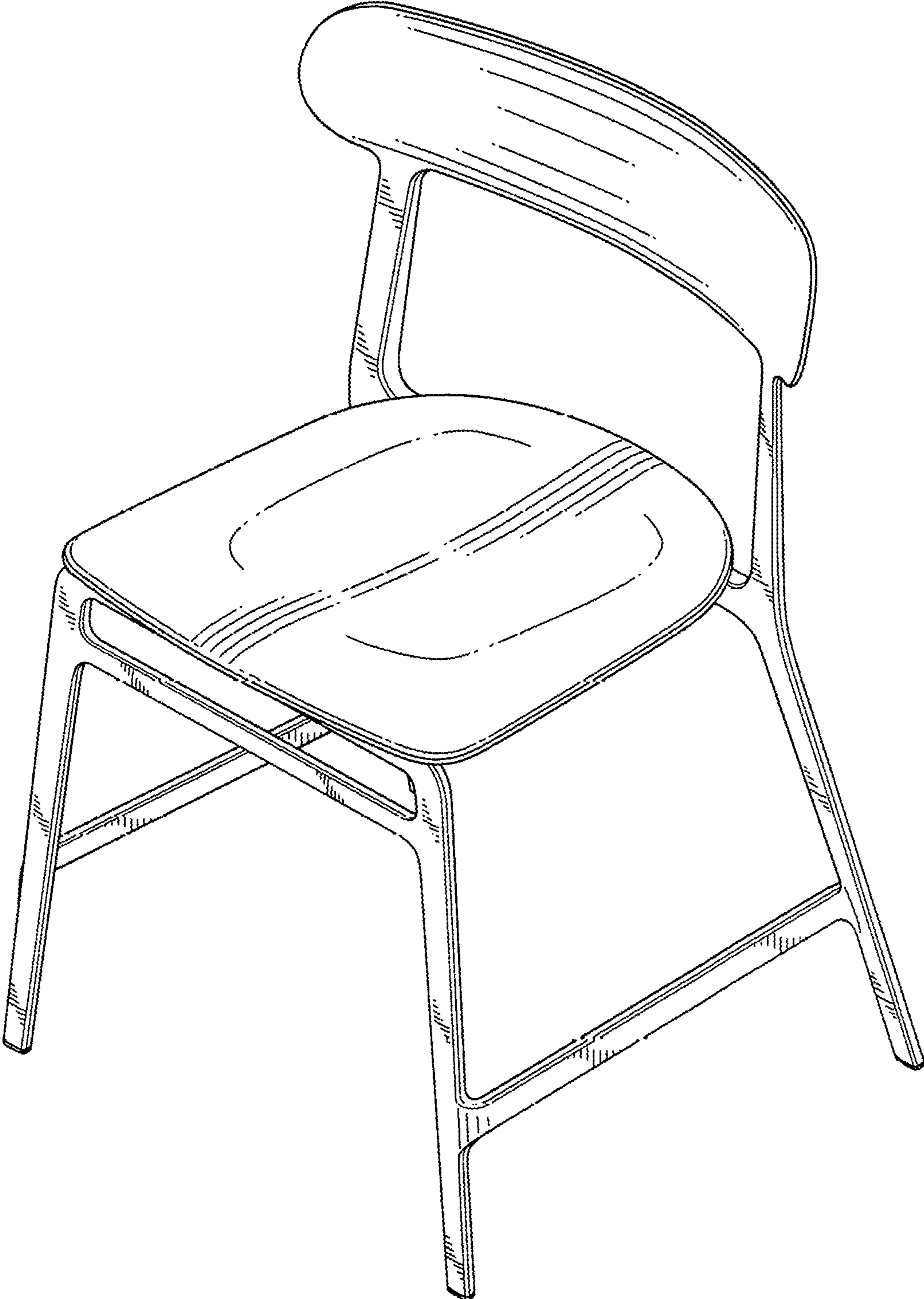


FIG. 1

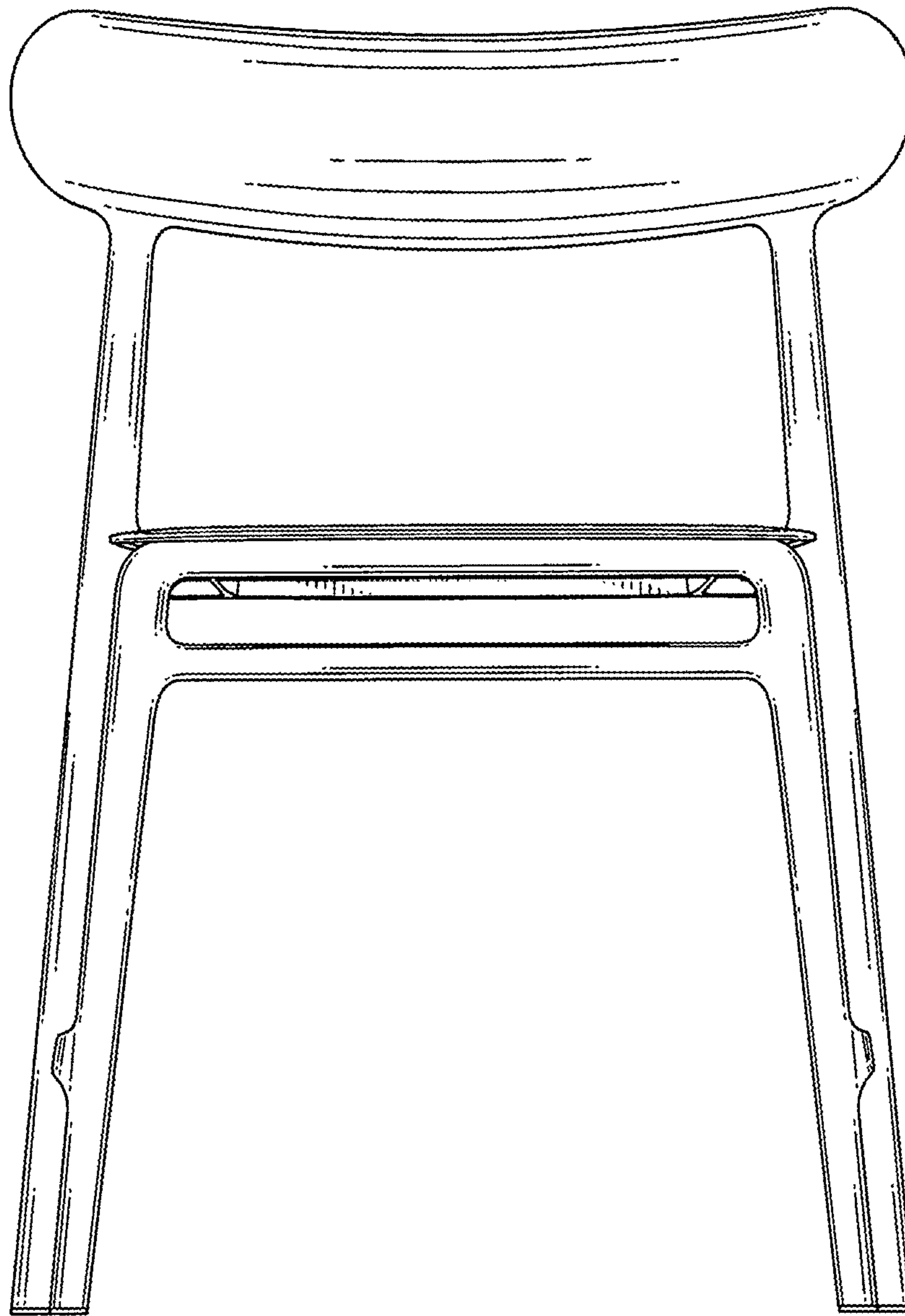


FIG. 2

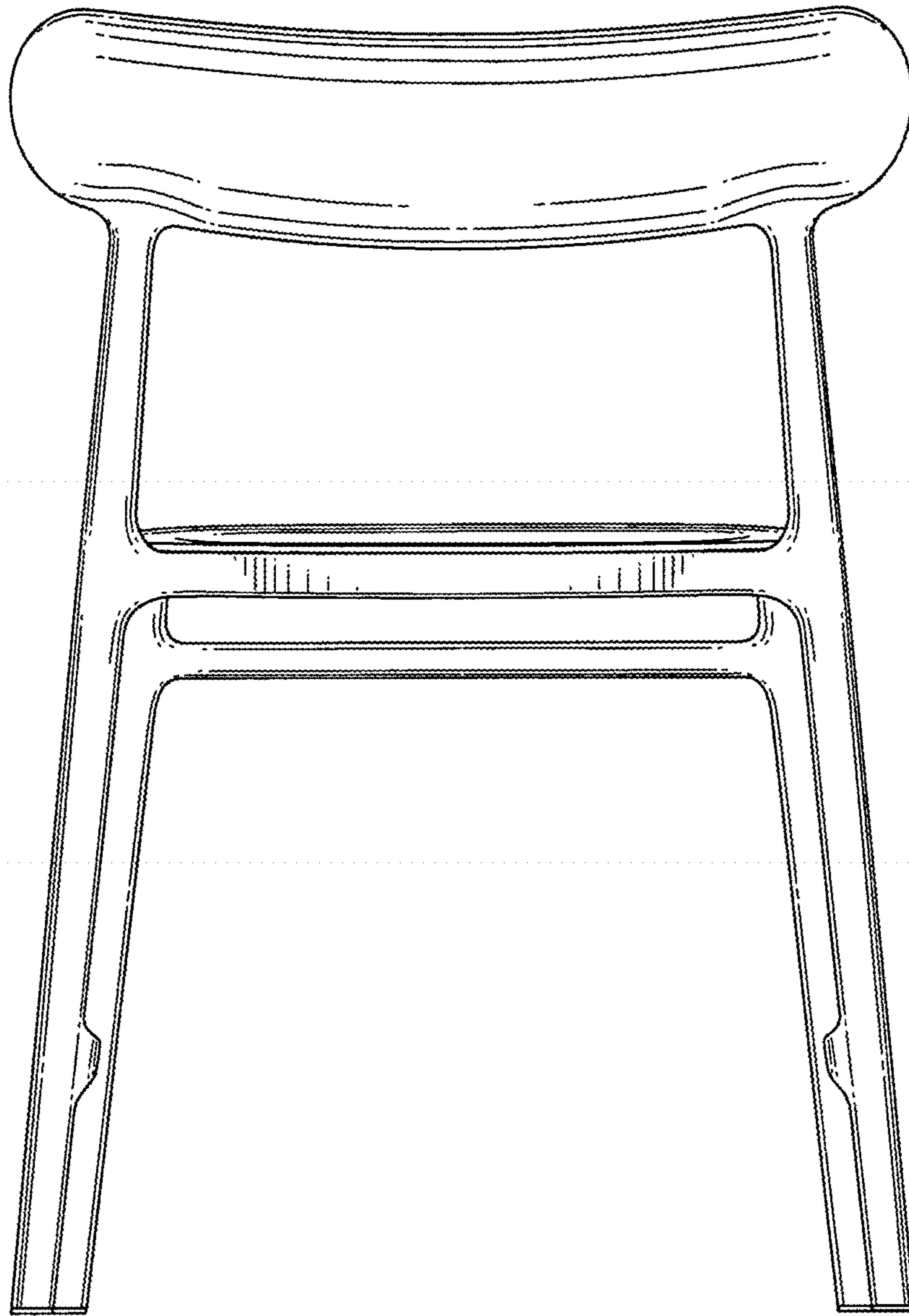


FIG. 3

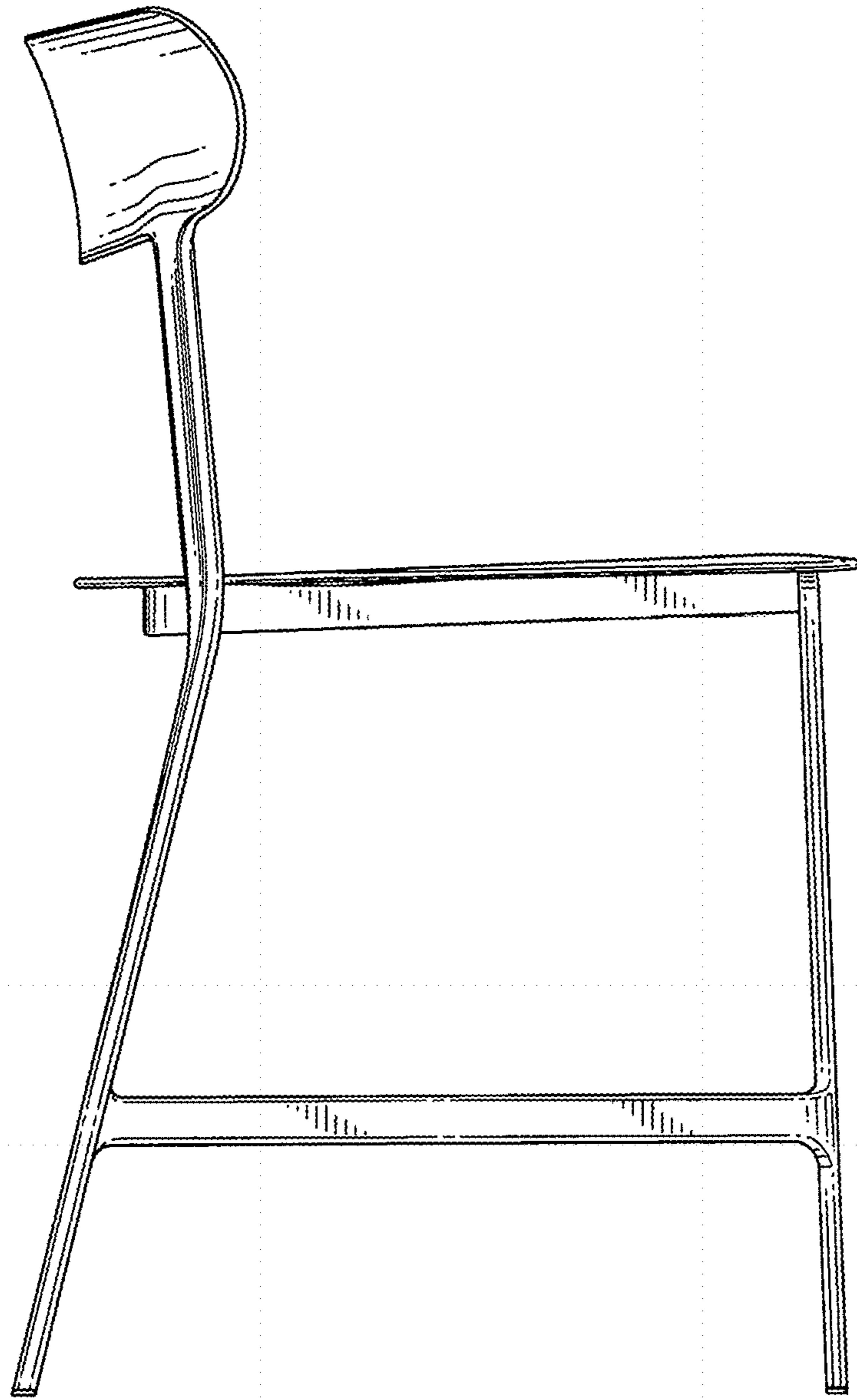


FIG. 4

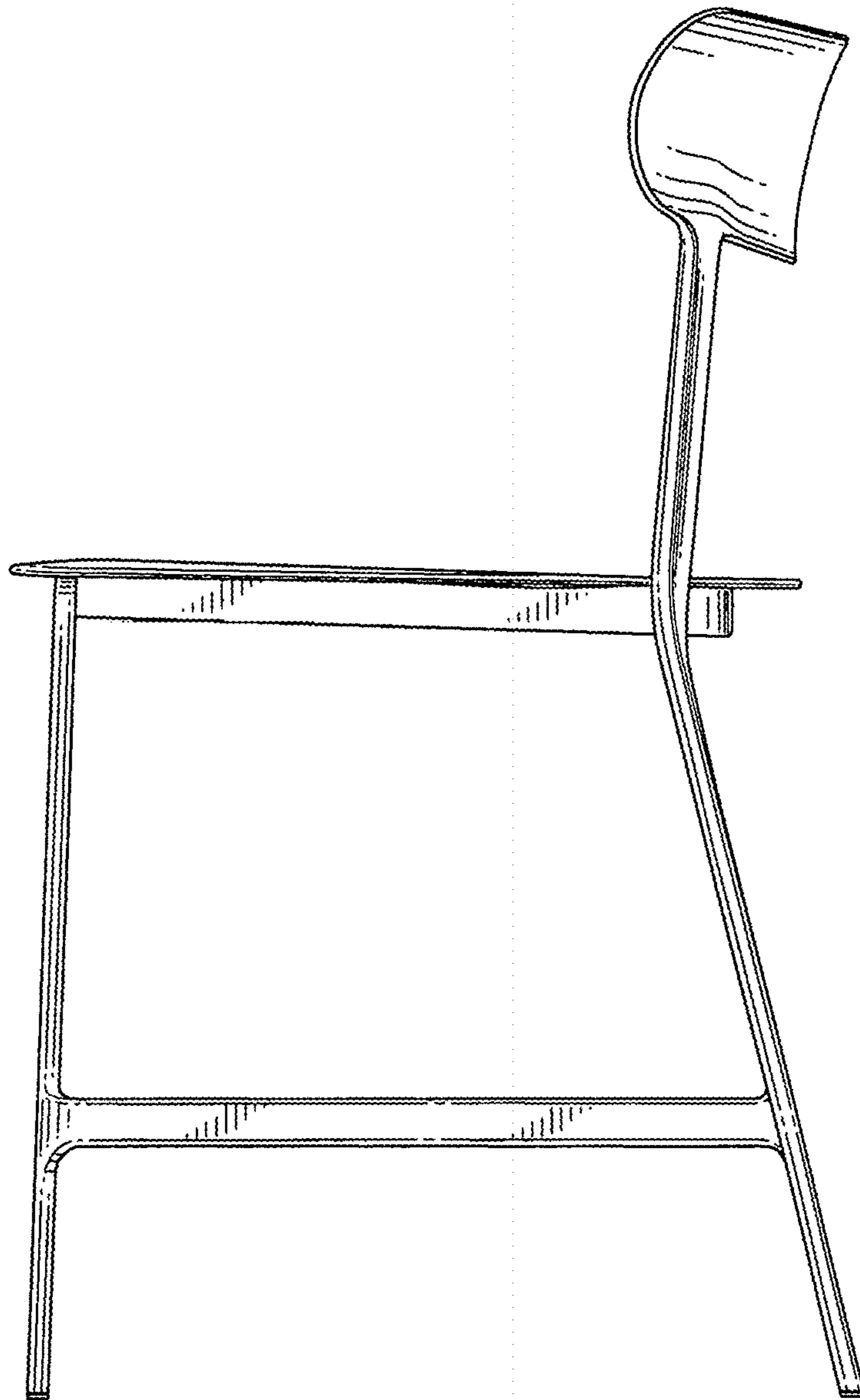


FIG. 5

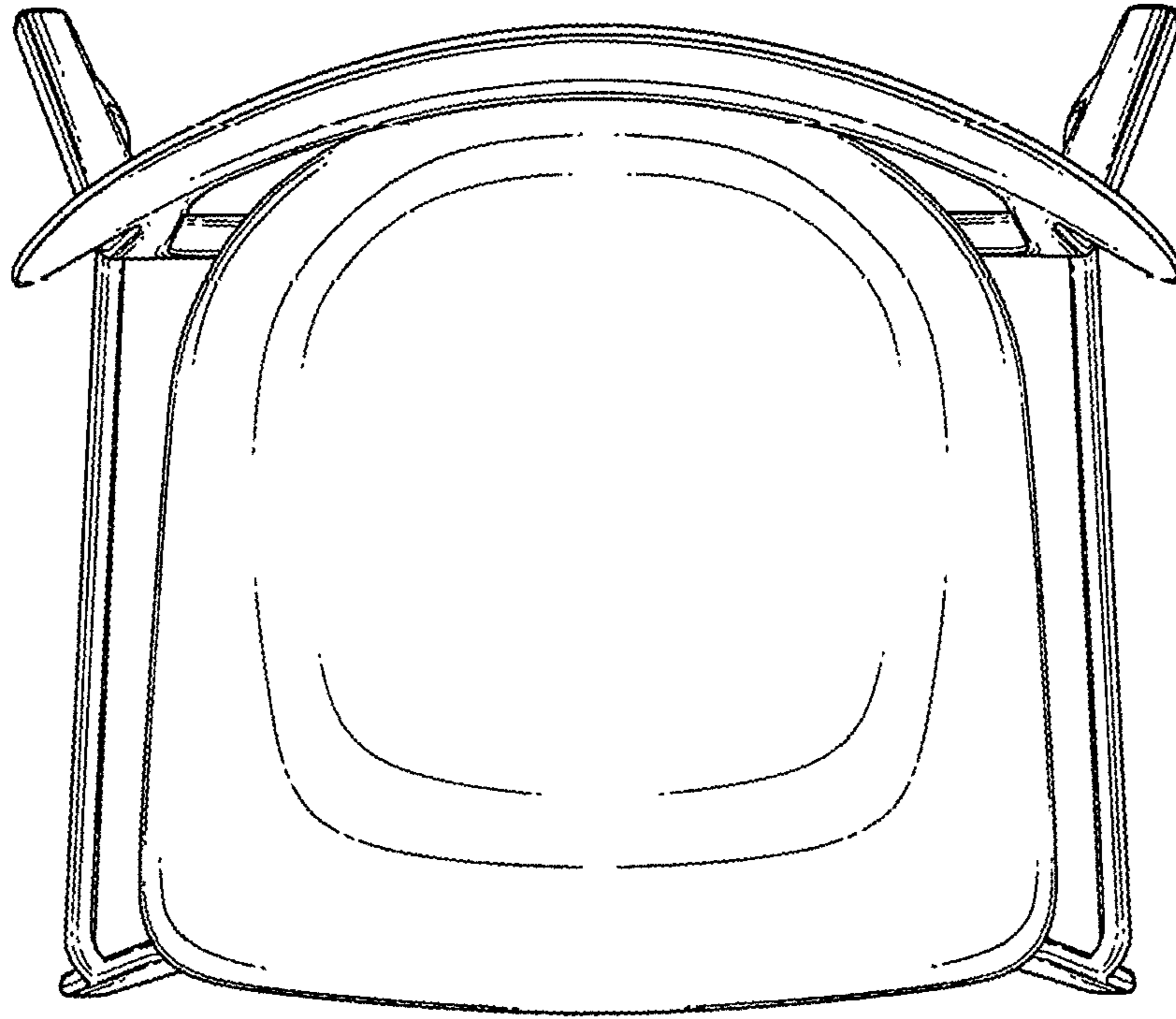


FIG. 6

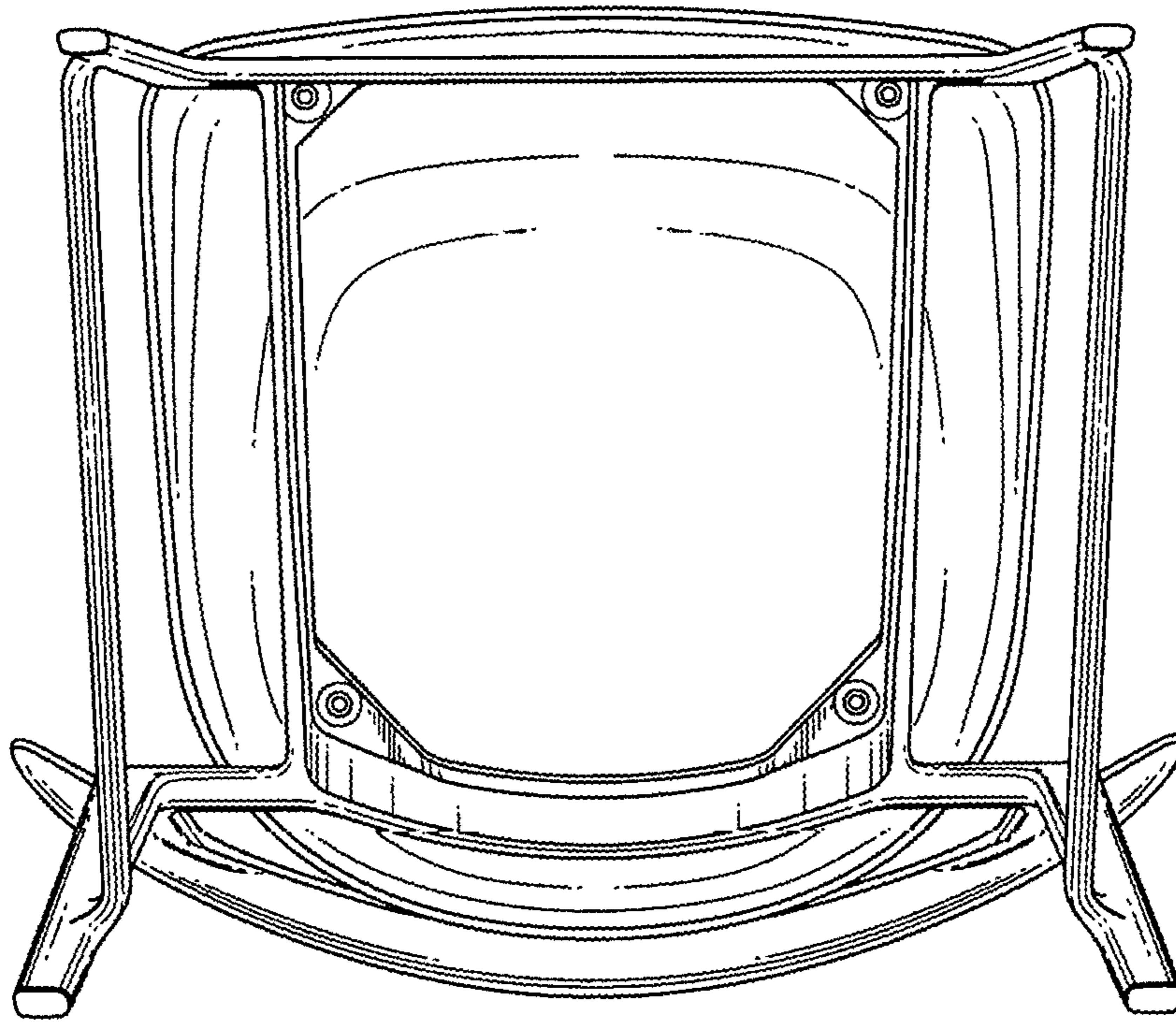


FIG. 7

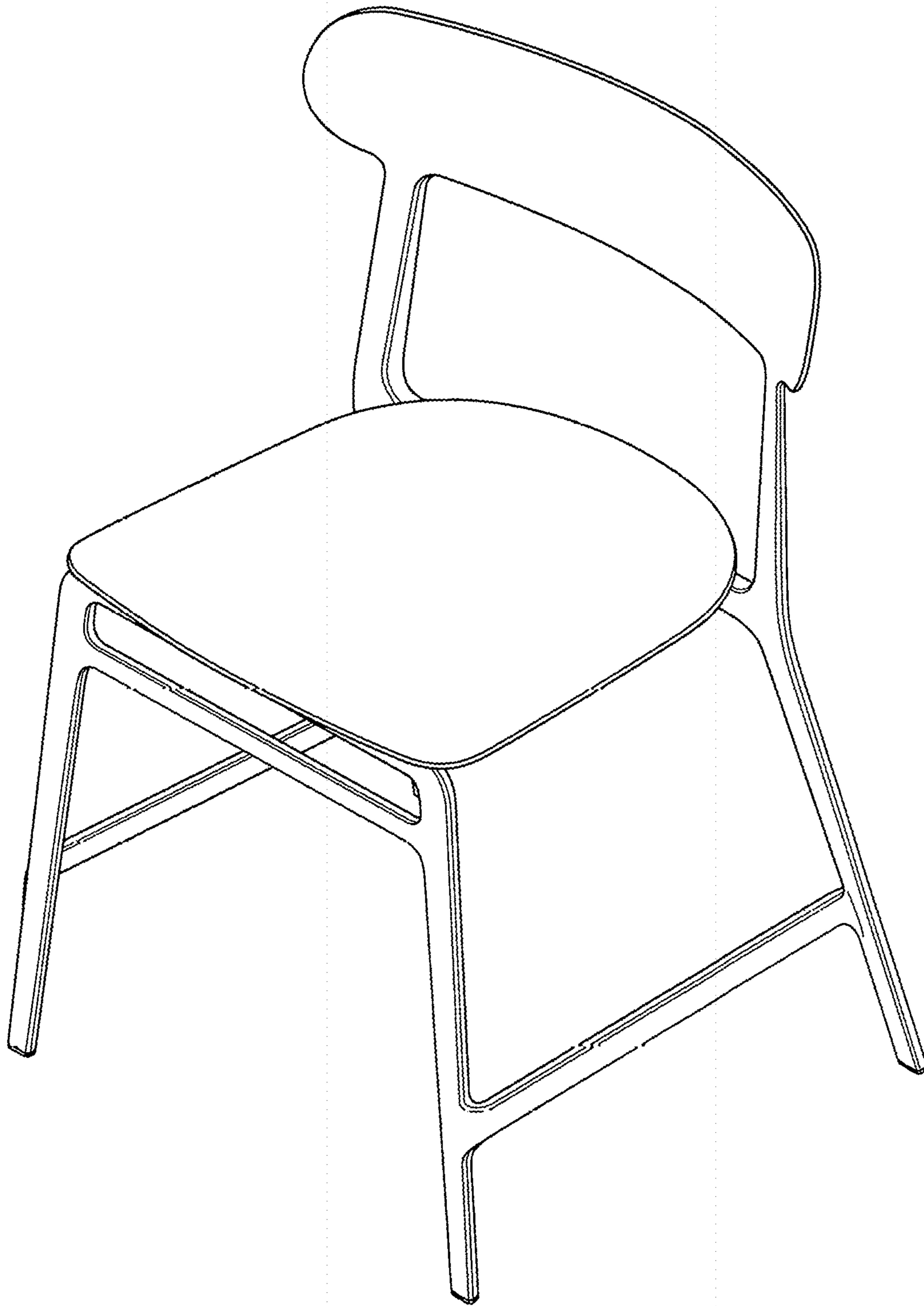


FIG. 8

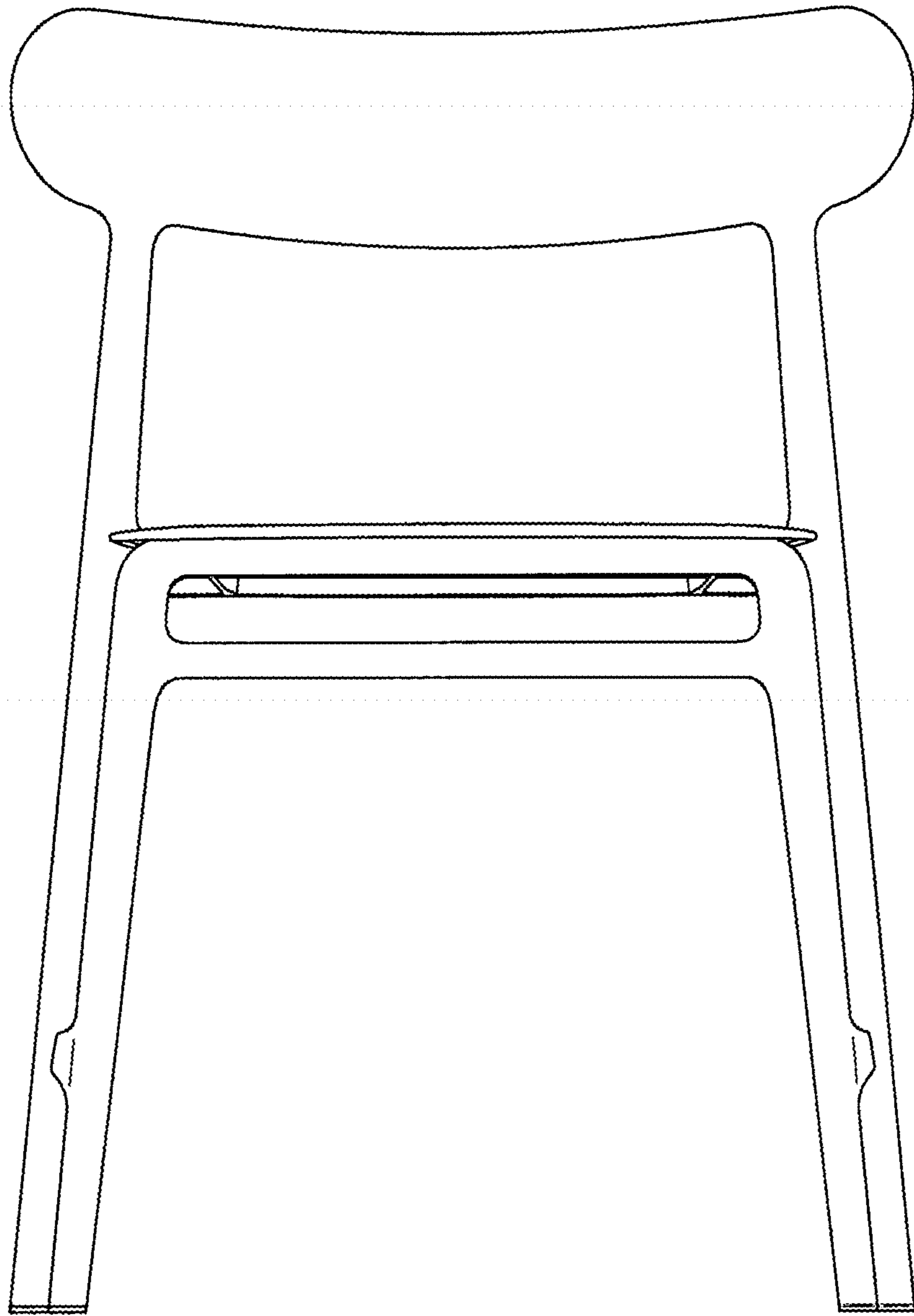


FIG. 9

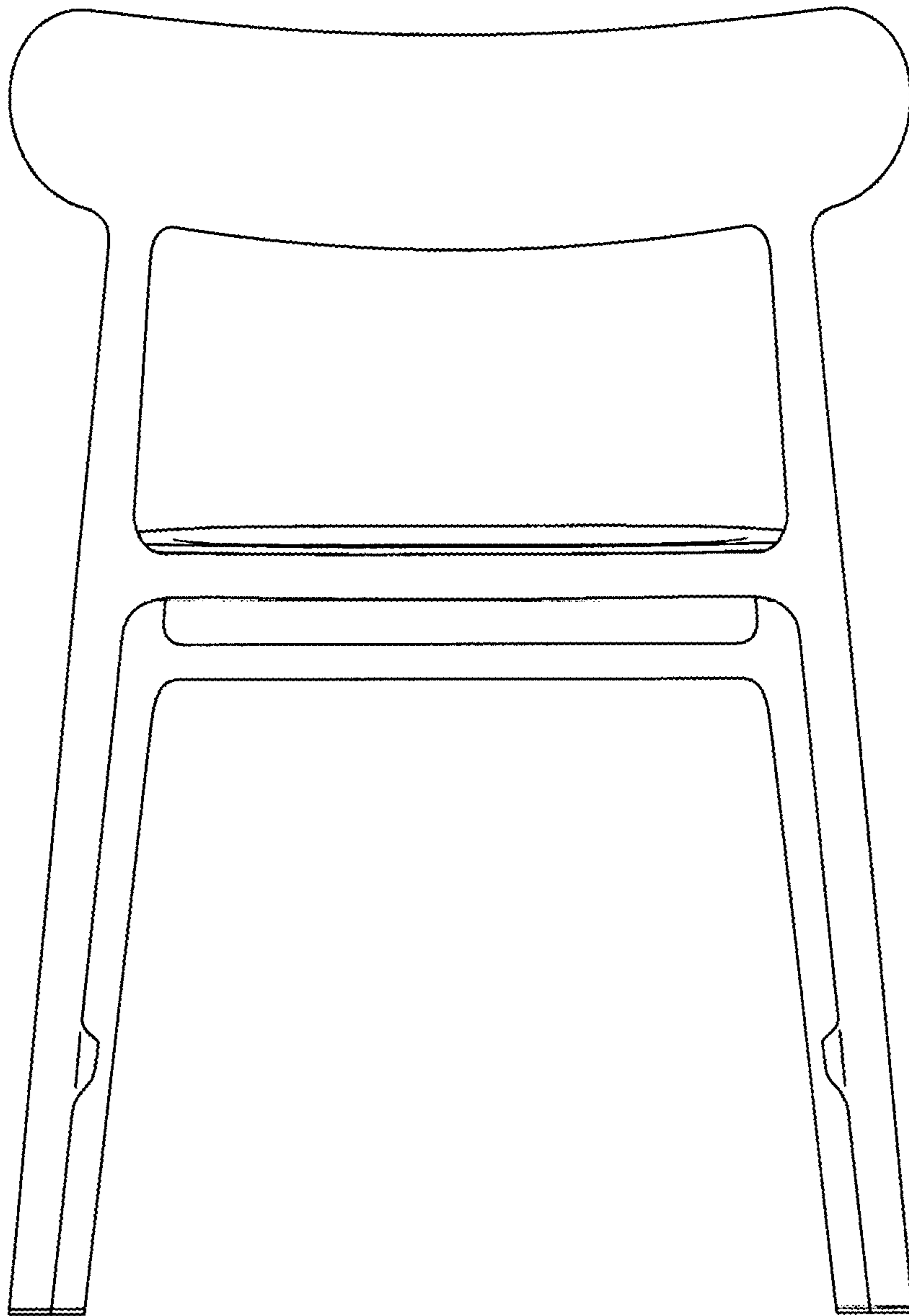


FIG. 10

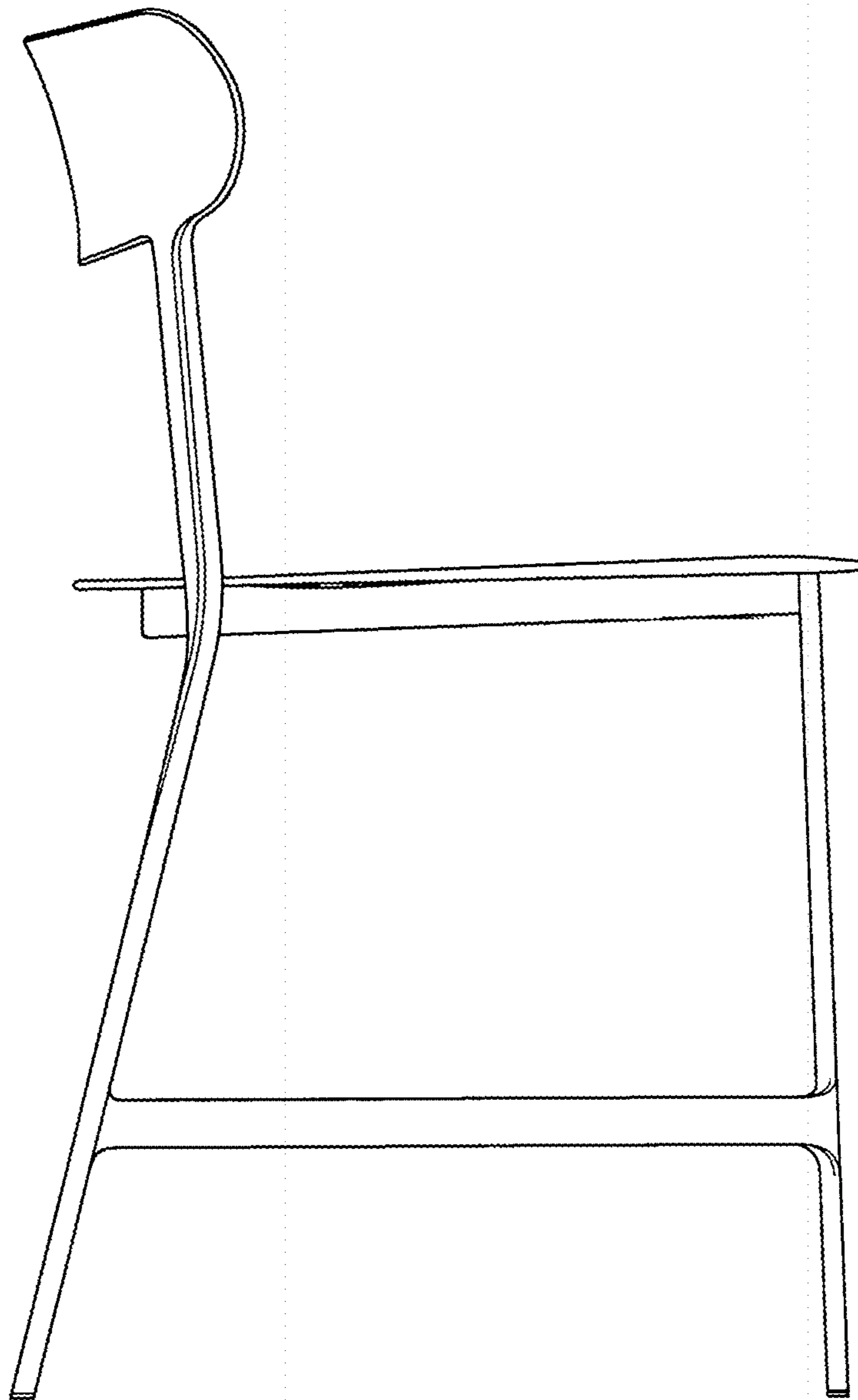


FIG. 11

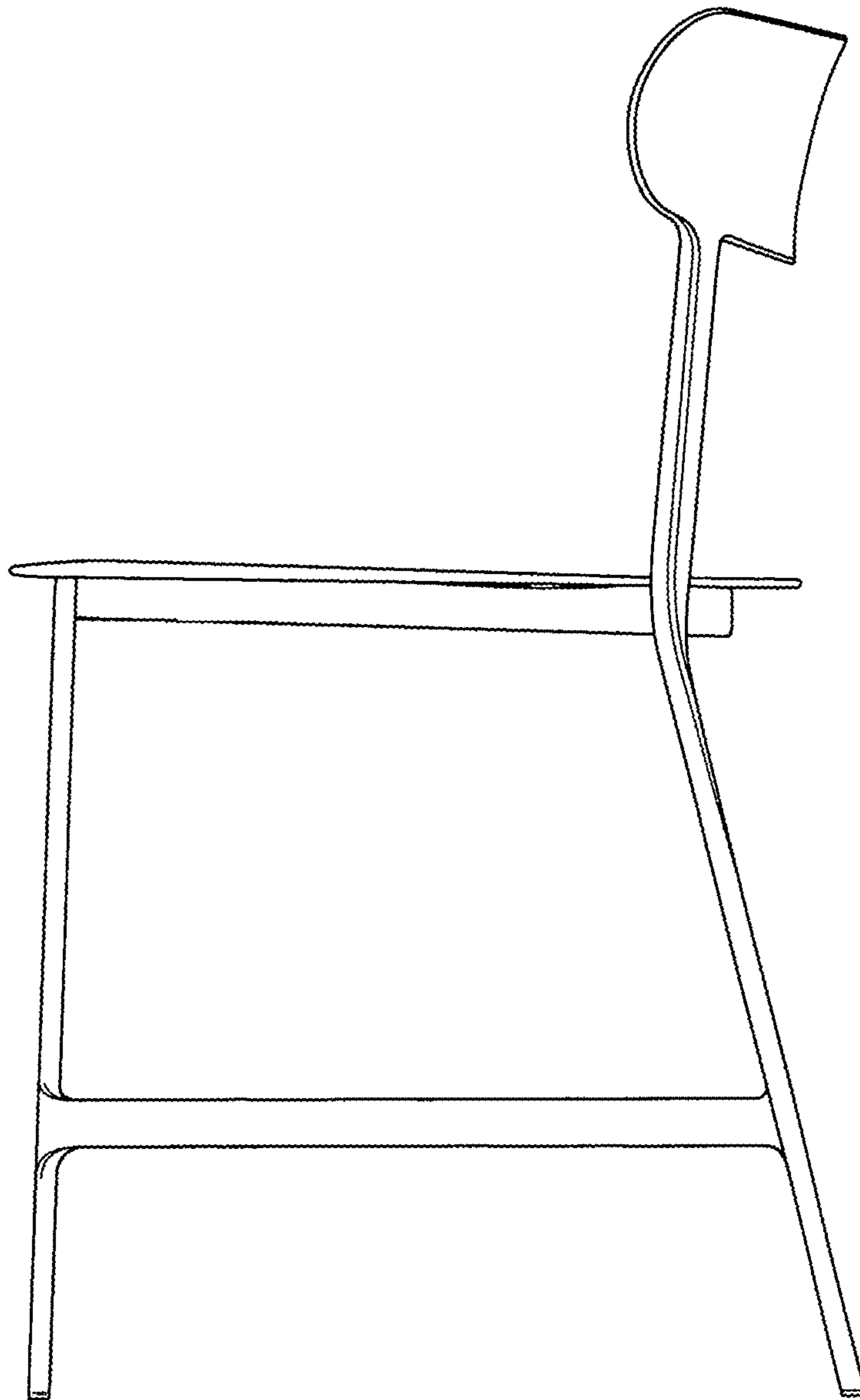


FIG. 12

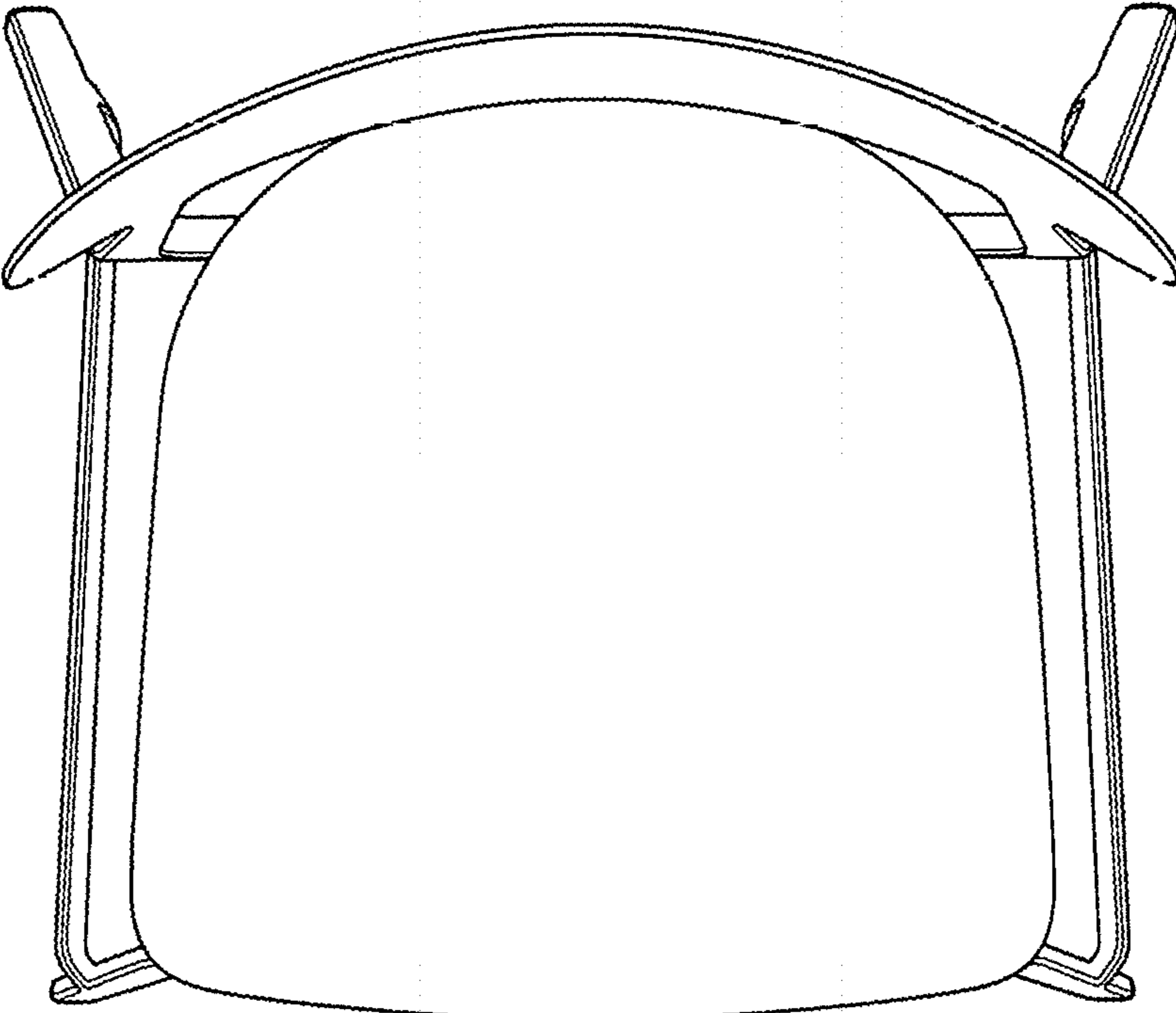


FIG. 13

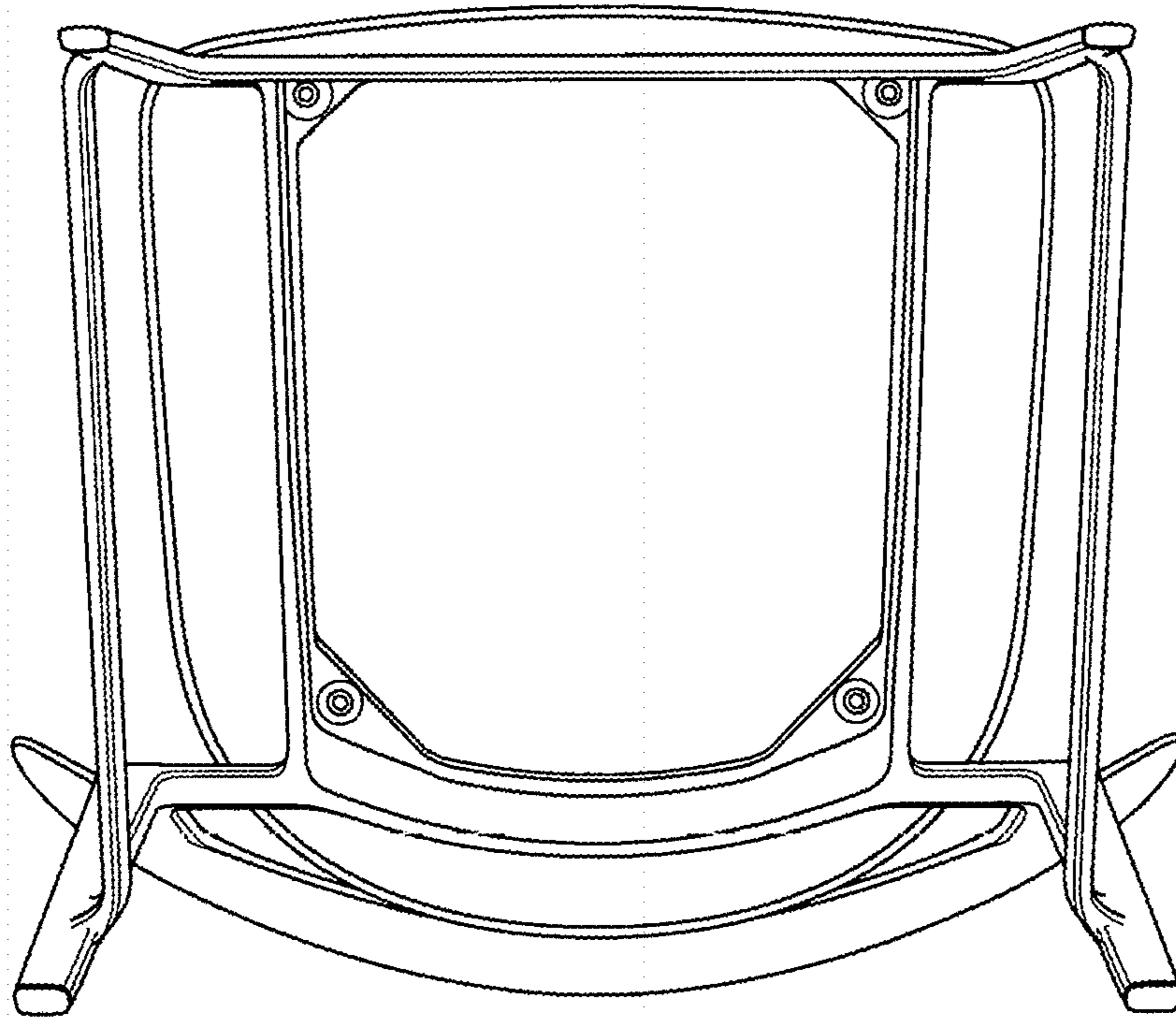


FIG. 14

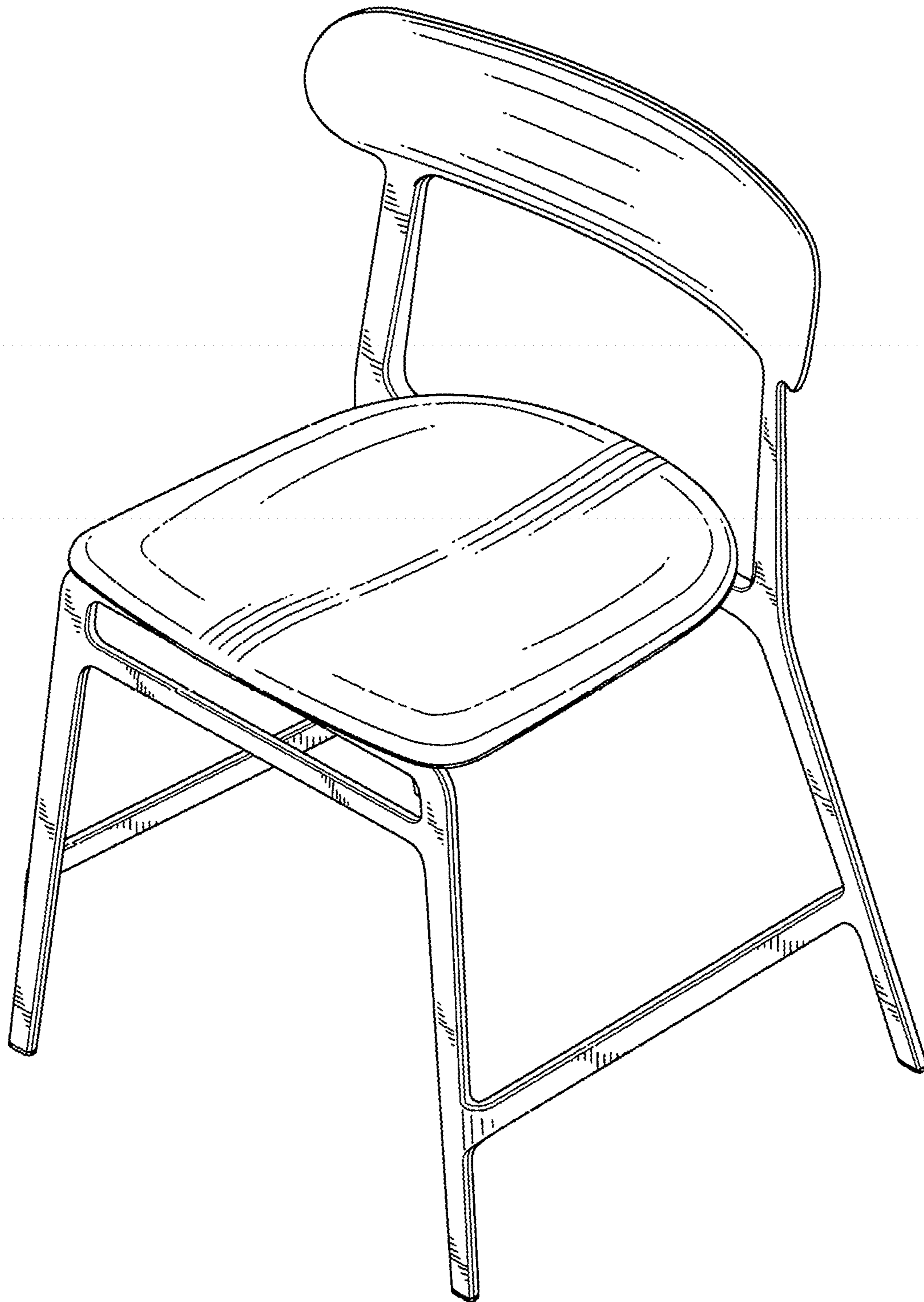


FIG. 15

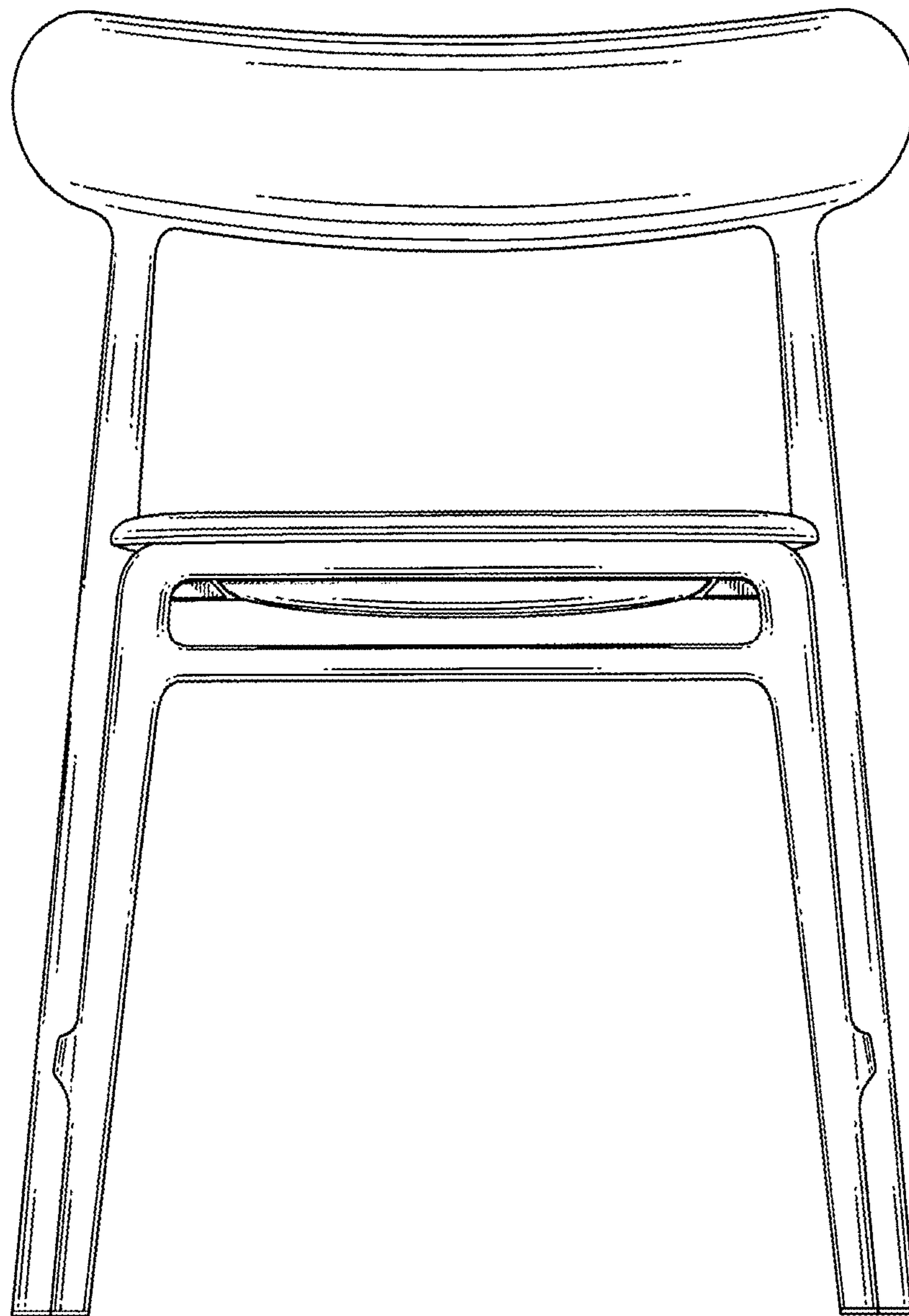


FIG. 16

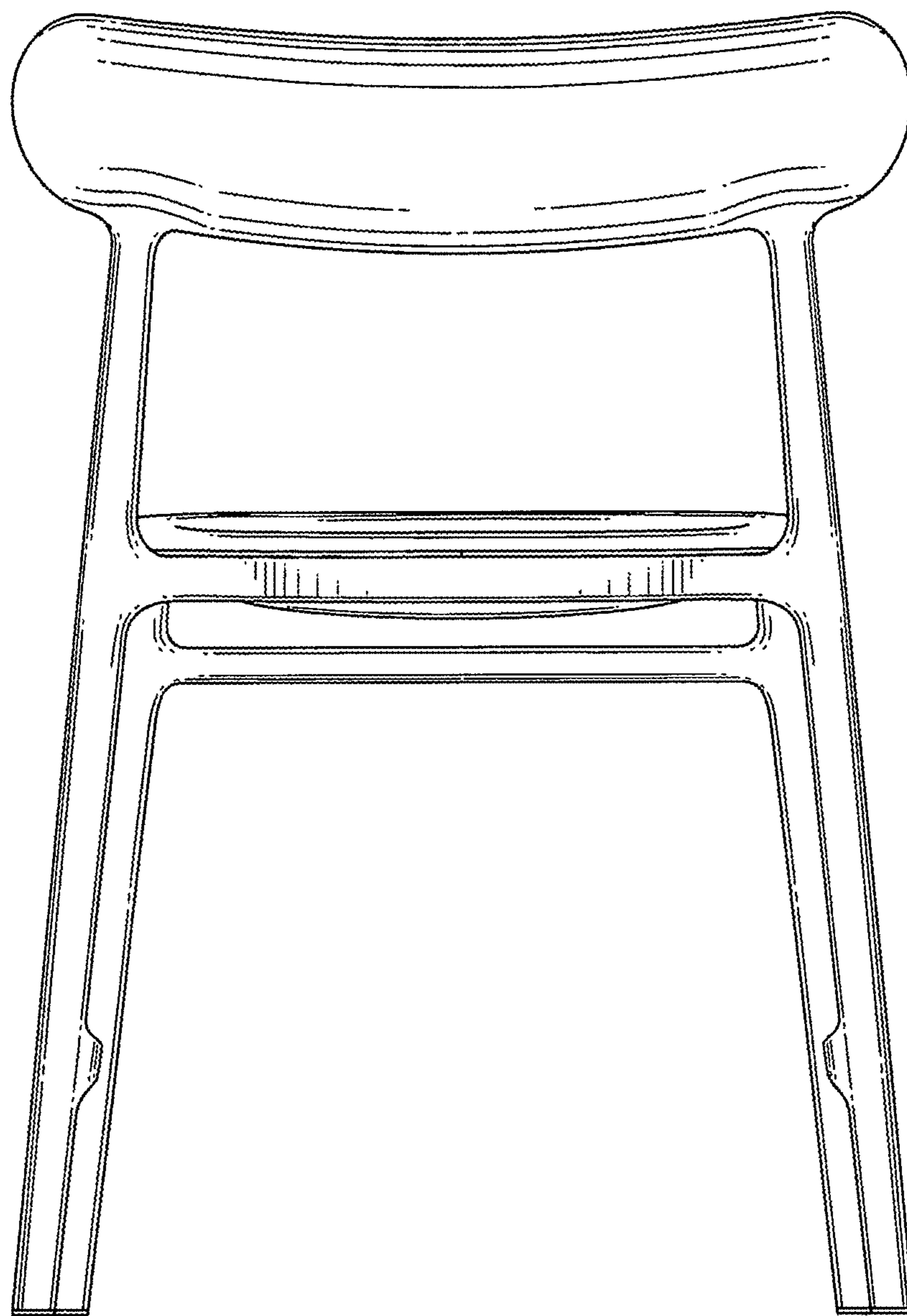


FIG. 17

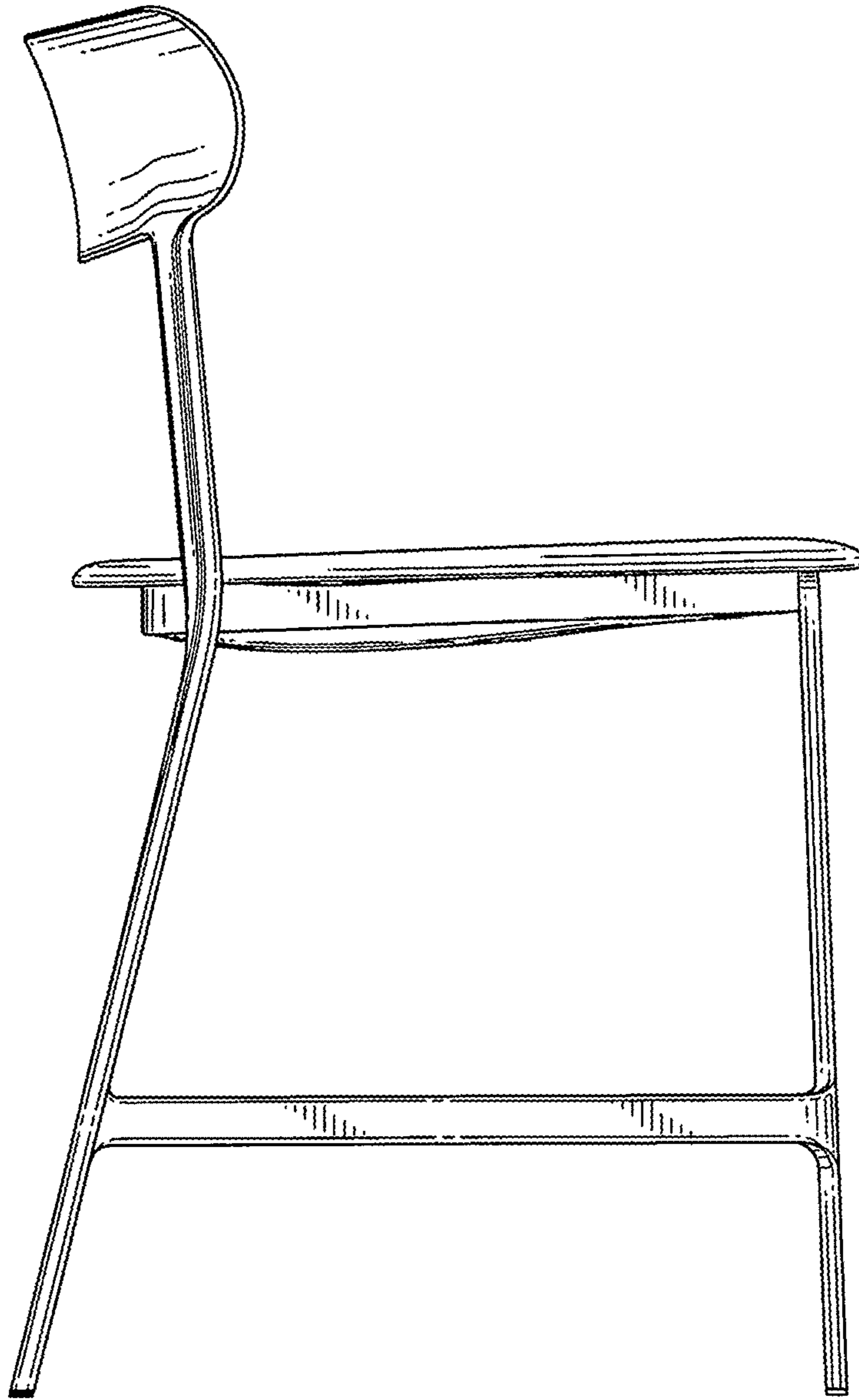


FIG. 18

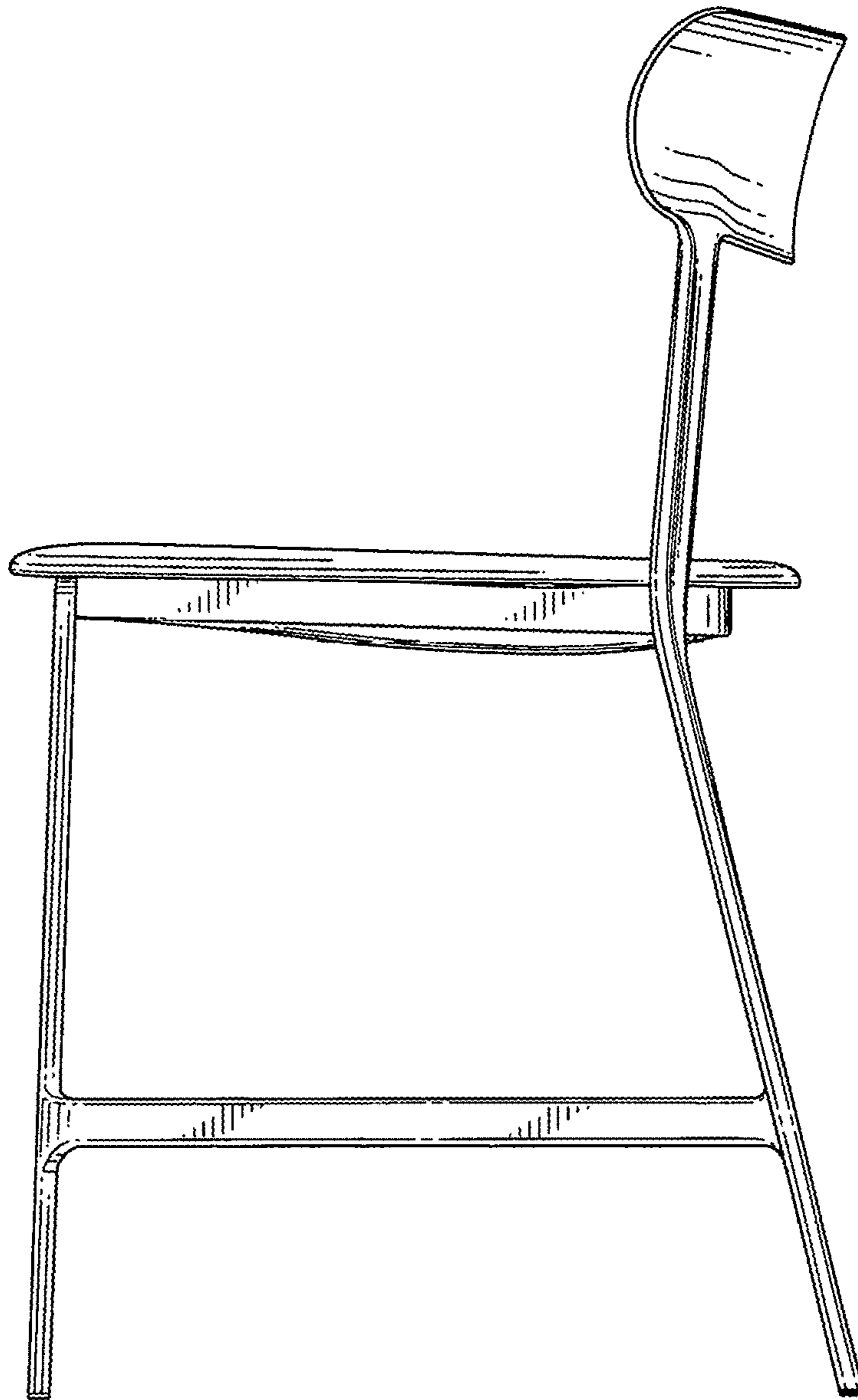


FIG. 19

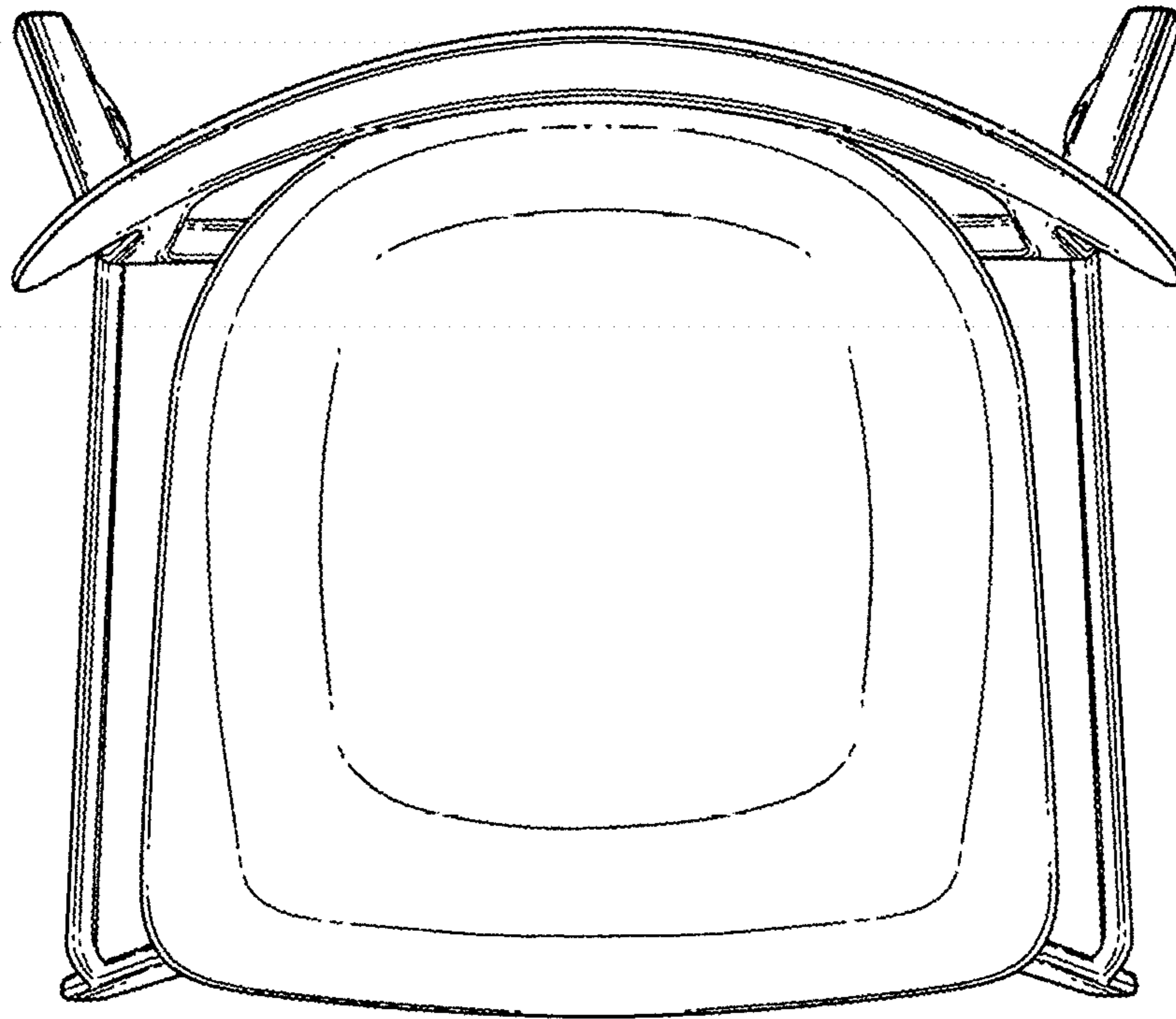


FIG. 20

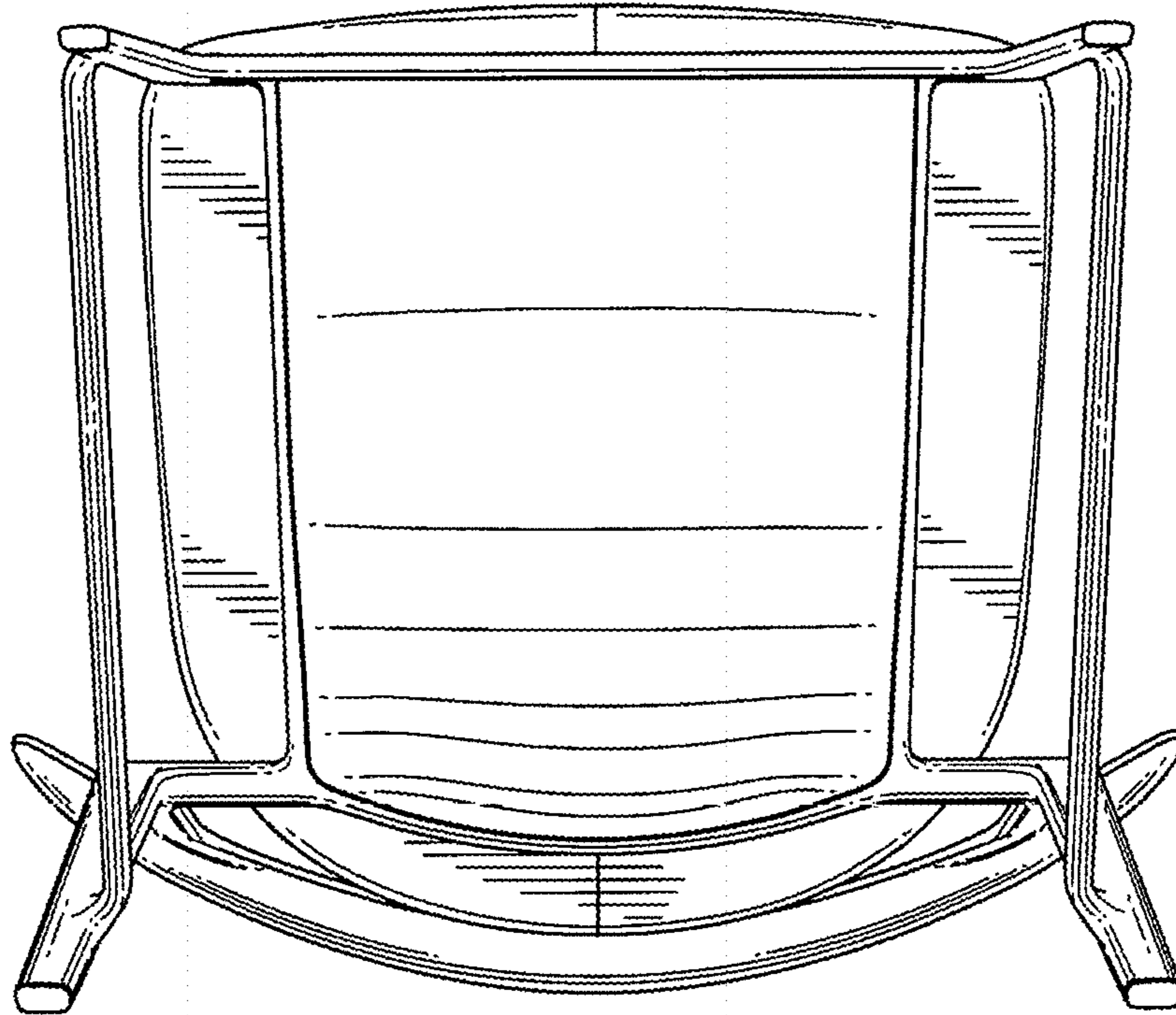


FIG. 21

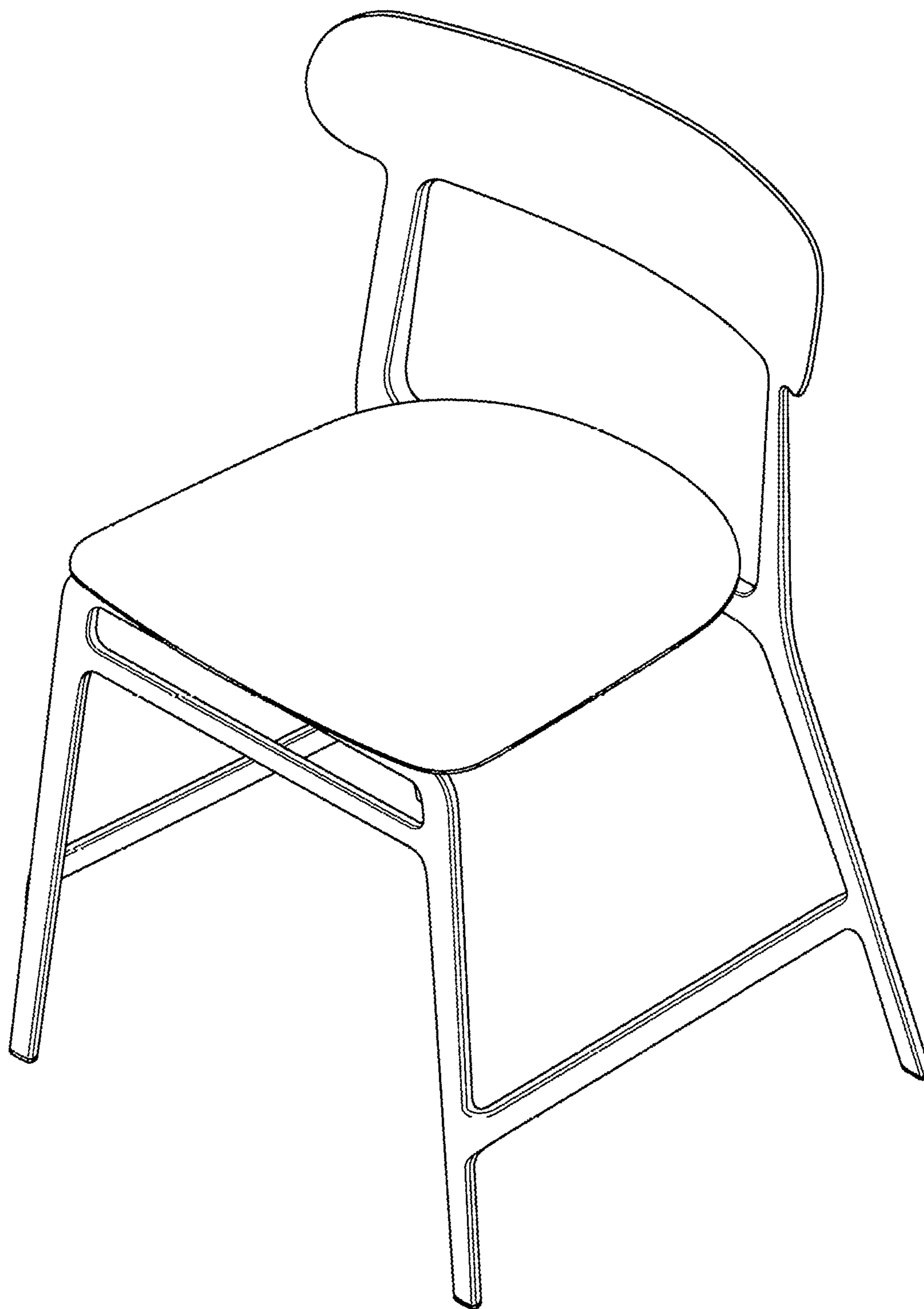


FIG. 22

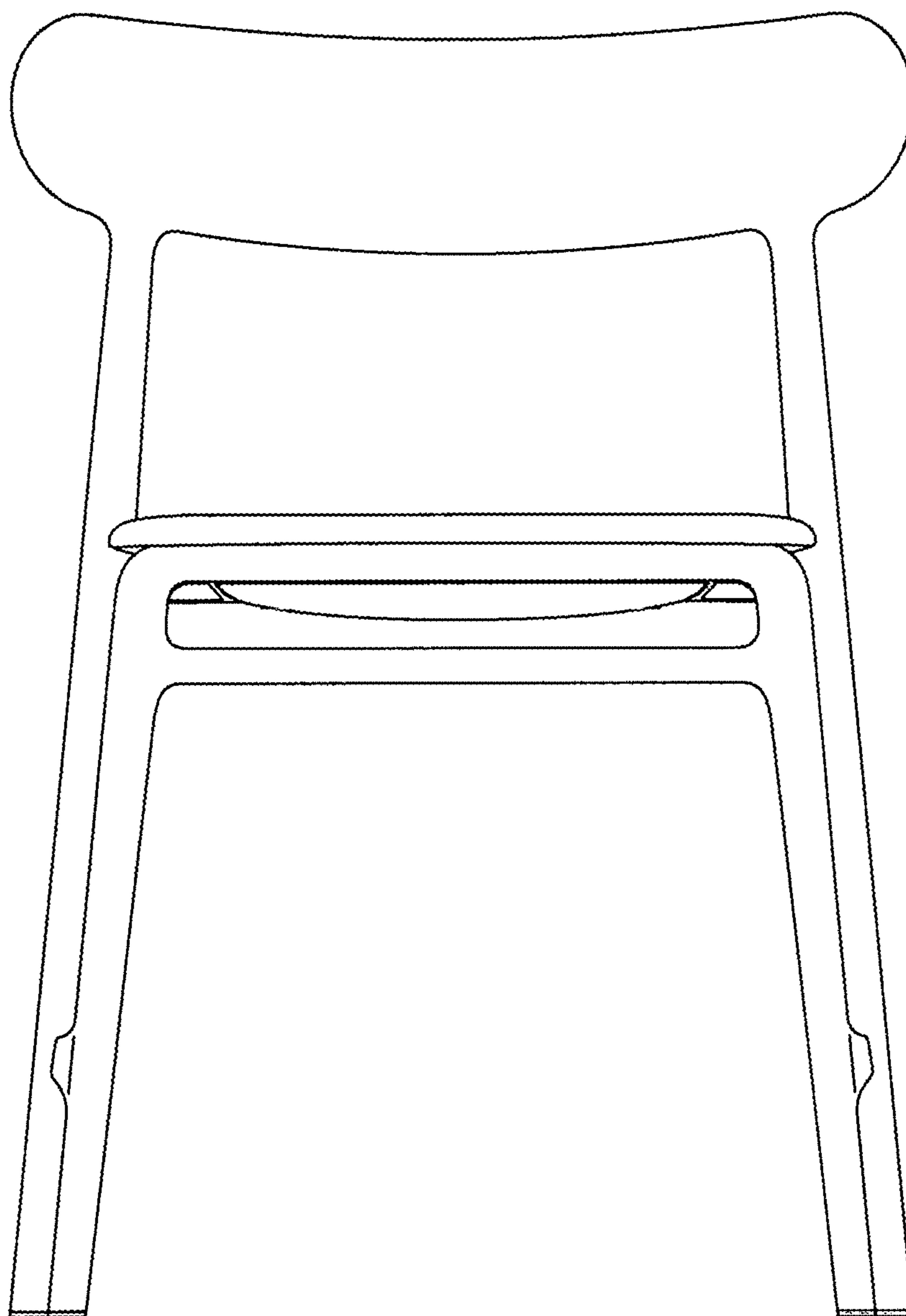


FIG. 23

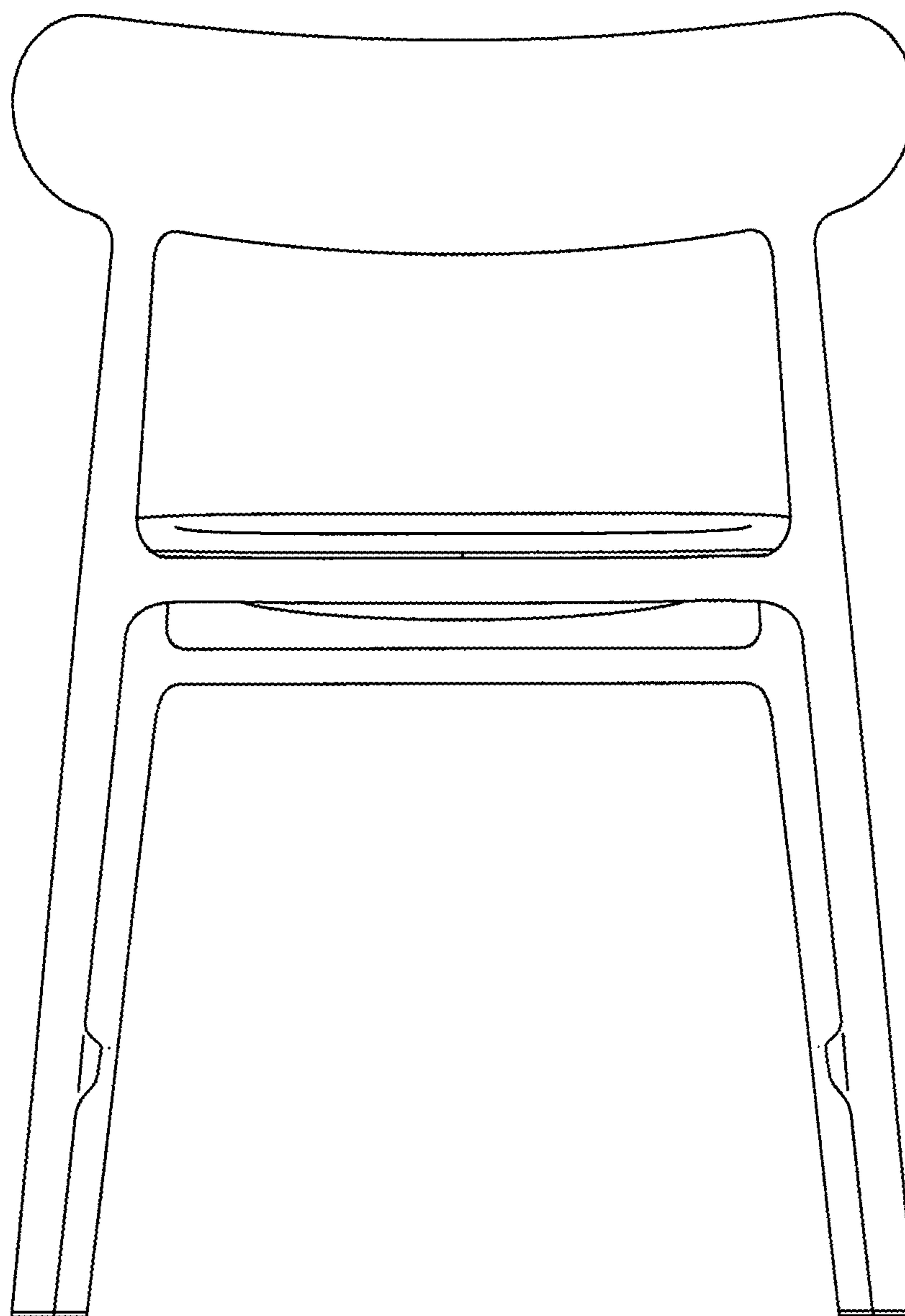


FIG. 24

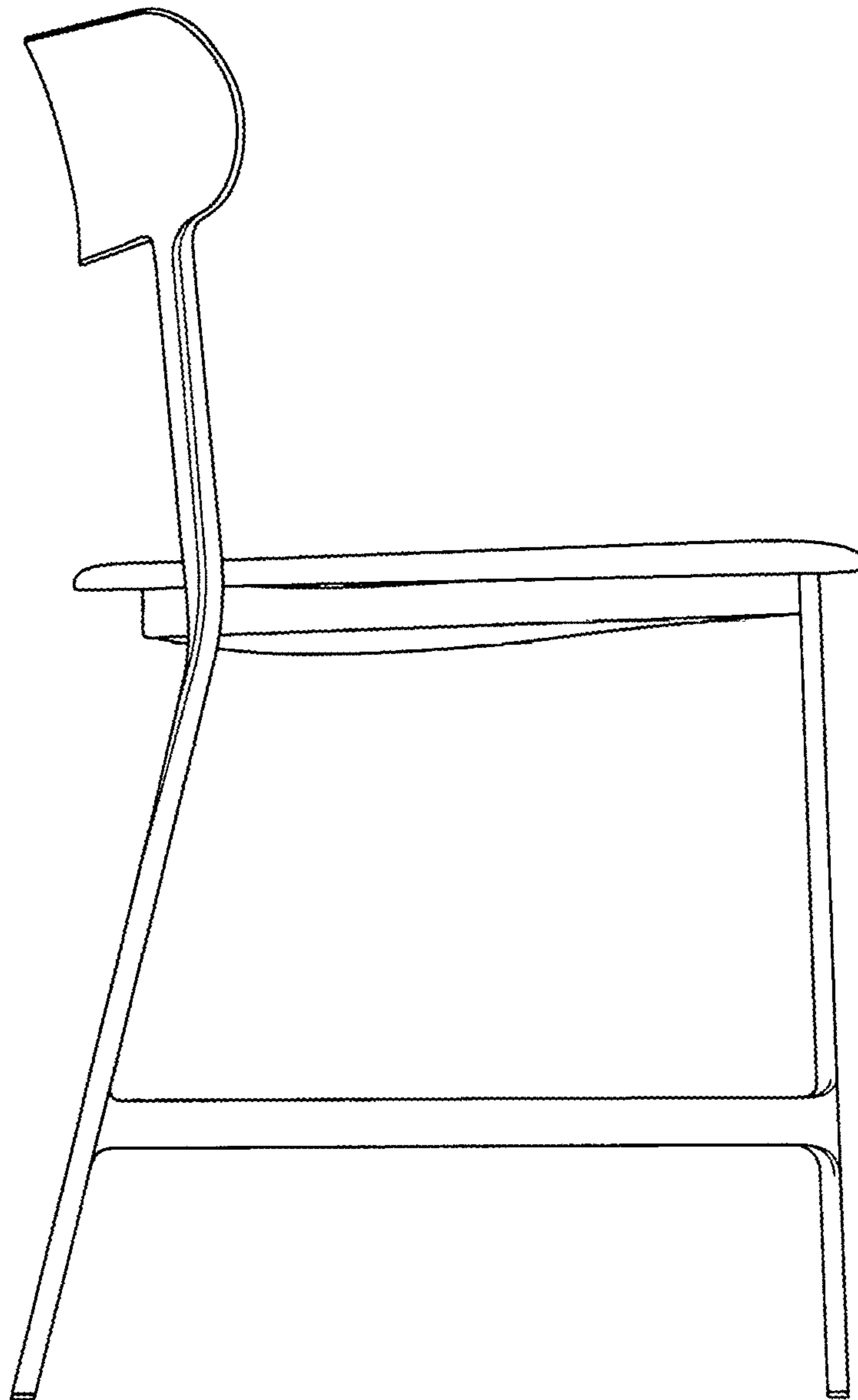


FIG. 25

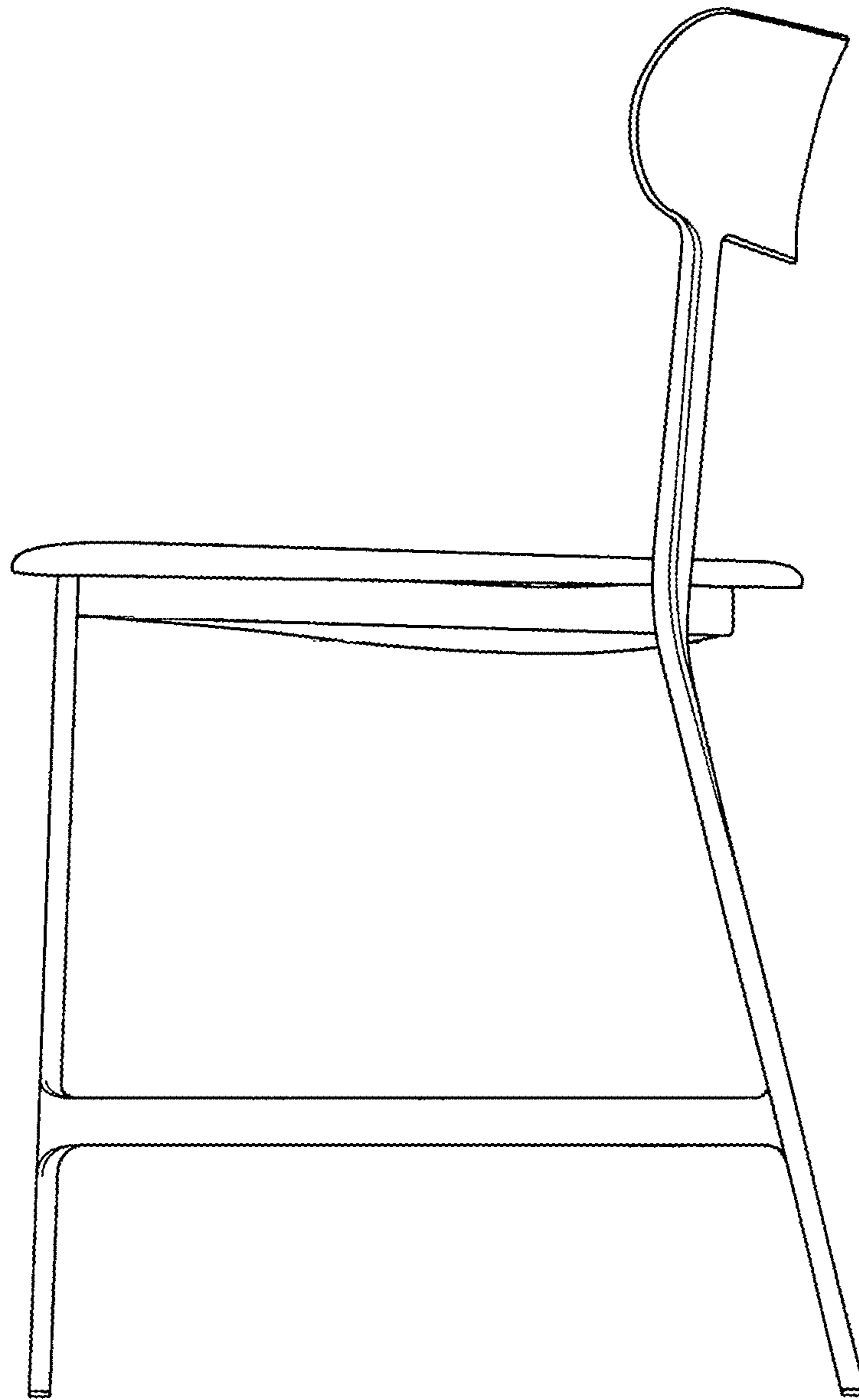


FIG. 26

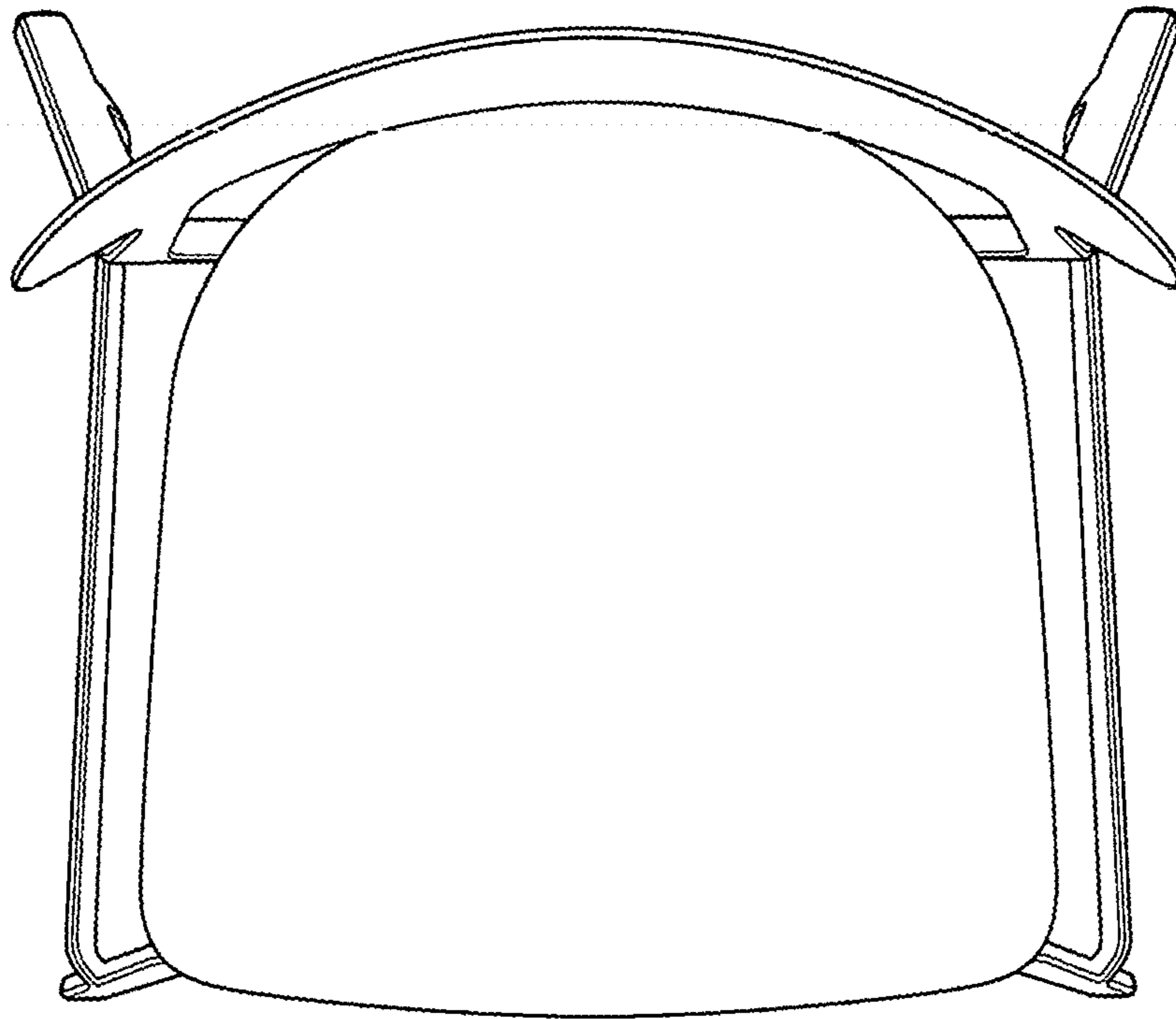


FIG. 27

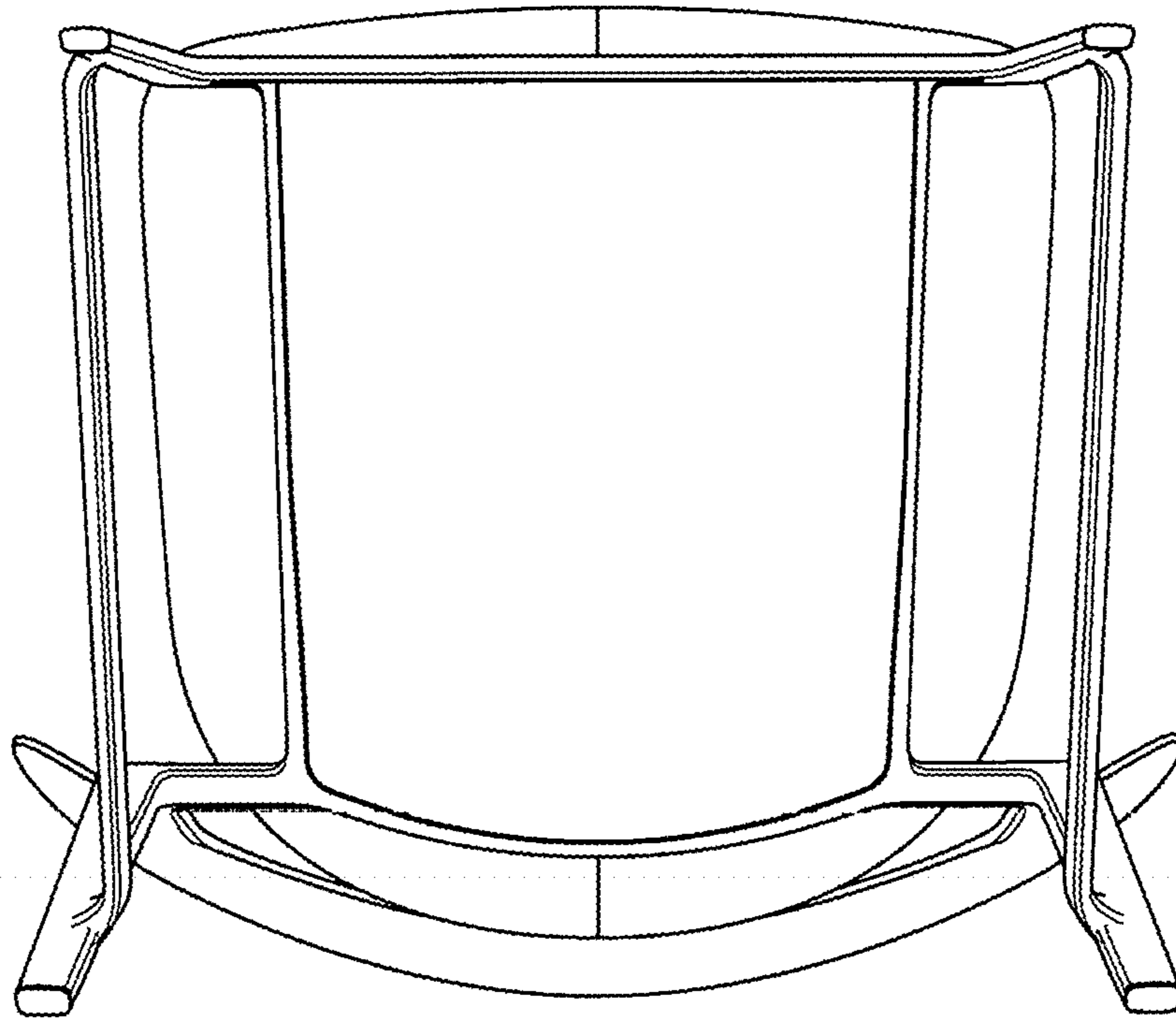


FIG. 28