



US00D873044S

(12) **United States Design Patent**  
**Citterio**

(10) **Patent No.:** **US D873,044 S**

(45) **Date of Patent:** **\*\* Jan. 21, 2020**

(54) **CHAIR**

(71) Applicant: **VITRA PATENTE AG**, Birsfelden  
(CH)

(72) Inventor: **Antonio Citterio**, Milan (IT)

(73) Assignee: **Vitra Patente AG** (CH)

(\*\*) Term: **15 Years**

(21) Appl. No.: **29/693,552**

(22) Filed: **Jun. 3, 2019**

**Related U.S. Application Data**

(62) Division of application No. 29/607,102, filed on Jun. 9, 2017.

(51) **LOC (12) Cl.** ..... **06-01**

(52) **U.S. Cl.**  
USPC ..... **D6/366**

(58) **Field of Classification Search**  
USPC ..... D6/334-336, 364, 365, 366, 367, 374,  
D6/379, 380, 716, 716.1, 716.2, 716.3,  
D6/716.4

CPC .... A47C 3/18; A47C 3/20; A47C 5/04; A47C  
5/06; A47C 7/004; A47C 7/006; A47C  
7/18; A47C 7/24; A47C 7/40; A47C 7/54  
See application file for complete search history.

(56) **References Cited**

**U.S. PATENT DOCUMENTS**

D327,781 S \* 7/1992 Citterio ..... D6/366  
D535,112 S \* 1/2007 Bennett ..... D6/366

D637,829 S \* 5/2011 Citterio ..... D6/366  
D665,592 S \* 8/2012 Citterio ..... D6/366  
D666,016 S \* 8/2012 Citterio ..... D6/366  
D667,231 S \* 9/2012 Citterio ..... D6/366  
D799,843 S \* 10/2017 Chen ..... D6/366

\* cited by examiner

*Primary Examiner* — Mimosa De

(74) *Attorney, Agent, or Firm* — Eric L. Sophir; Dentons  
US LLP

(57) **CLAIM**

The ornamental design of a chair, as shown and described.

**DESCRIPTION**

FIG. 1 is a front, right perspective-view of a chair;  
FIG. 2 is a front view thereof;  
FIG. 3 is a right-side view thereof;  
FIG. 4 is a back-view thereof;  
FIG. 5 is a left-side view thereof;  
FIG. 6 is a top view thereof;  
FIG. 7 is a bottom view thereof;  
FIG. 8 is a front, right perspective-view of a chair according  
to another embodiment;  
FIG. 9 is a front view thereof;  
FIG. 10 is a right-side view thereof;  
FIG. 11 is a back-view thereof;  
FIG. 12 is a left-side view thereof;  
FIG. 13 is a top view thereof; and,  
FIG. 14 is a bottom view thereof.

**1 Claim, 14 Drawing Sheets**







FIG. 1





FIG. 2





FIG. 3





FIG. 4





FIG. 5





FIG. 6



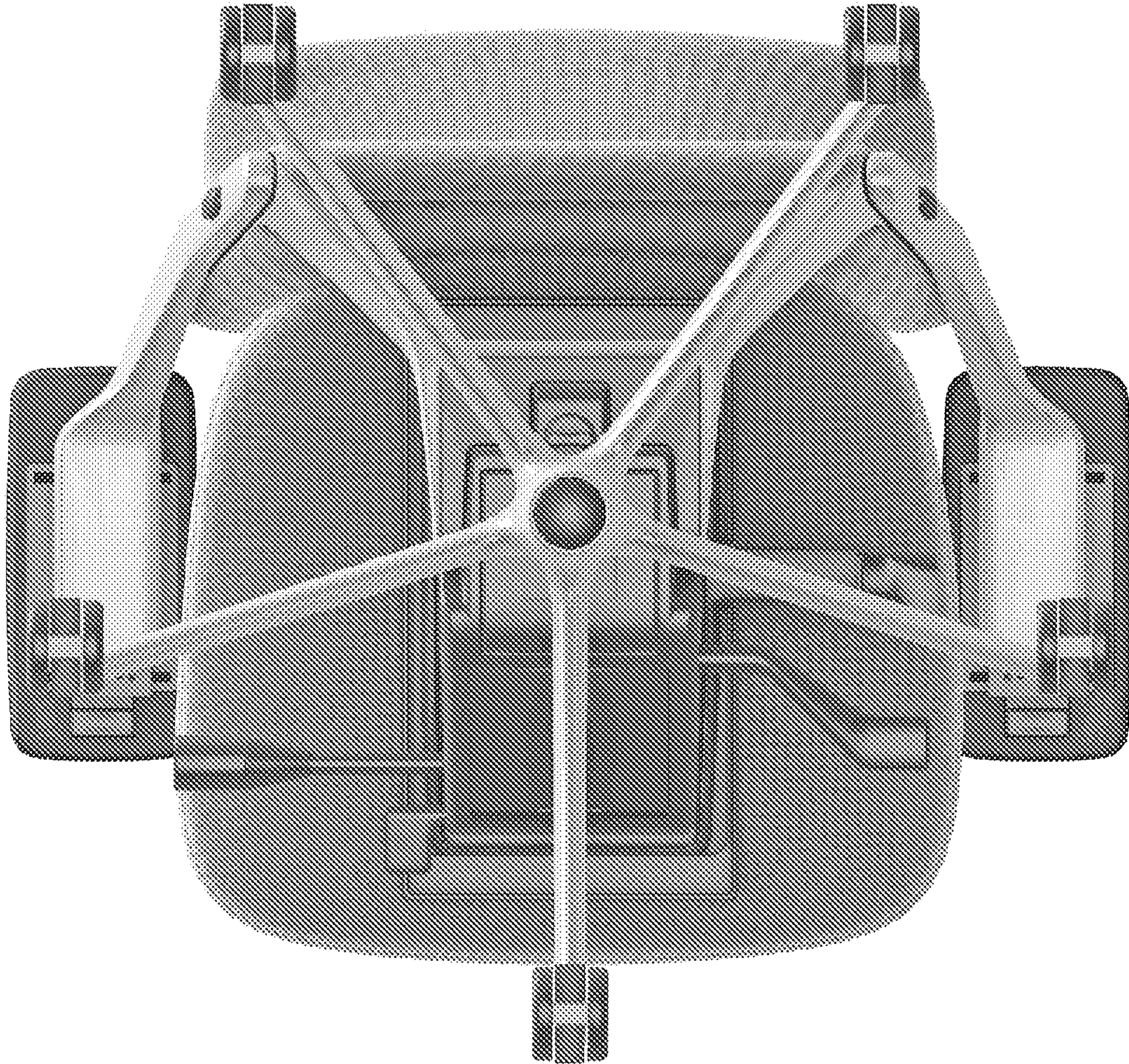


FIG. 7





FIG. 8





FIG. 9





FIG. 10





FIG. 11





FIG. 12





FIG. 13



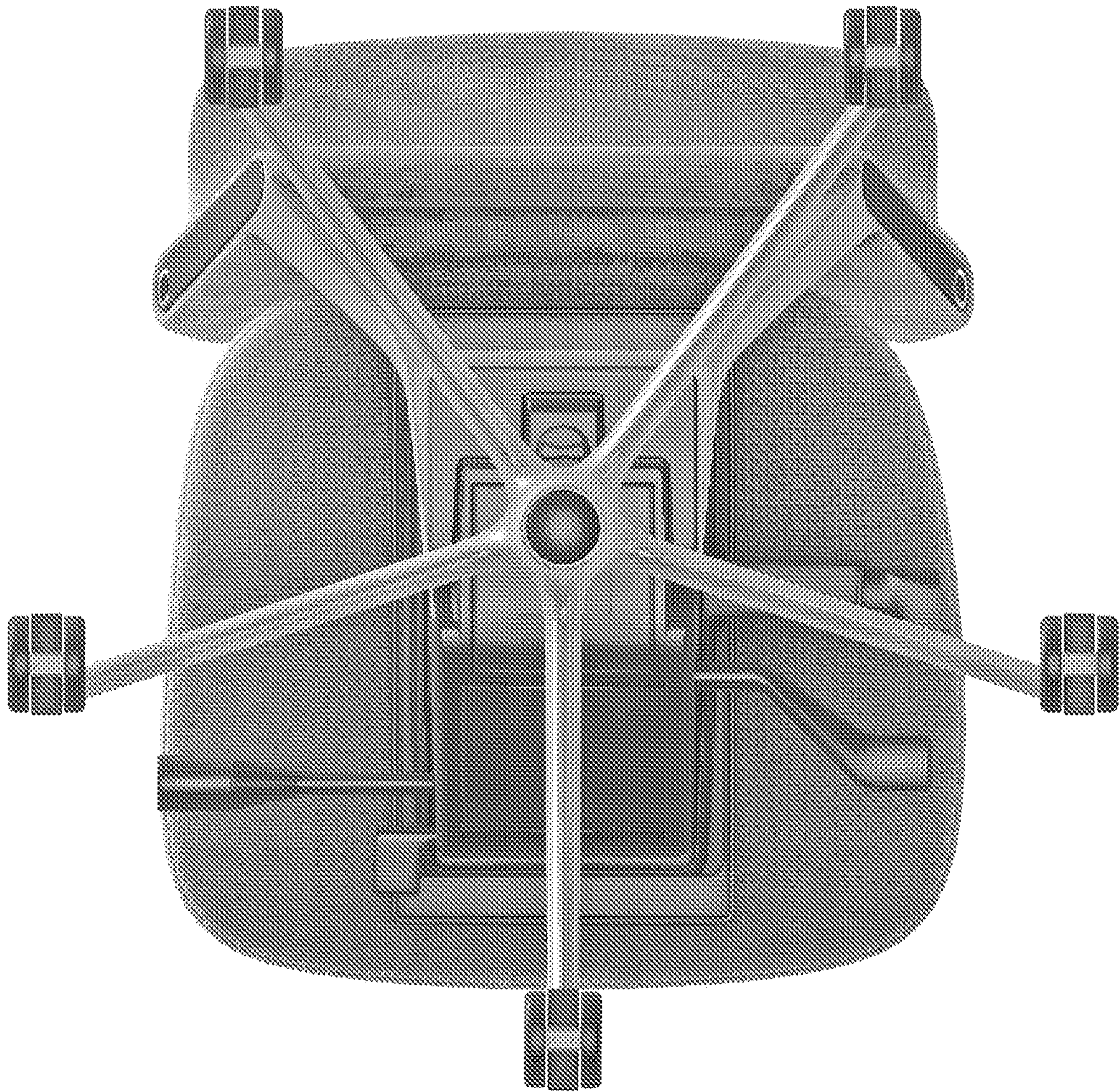


FIG. 14