

US00D873043S

(12) **United States Design Patent**
Su

(10) **Patent No.:** **US D873,043 S**
(45) **Date of Patent:** **** Jan. 21, 2020**

(54) **OFFICE CHAIR**

- (71) Applicant: **Chih-Cheng Su**, Dongguan (CN)
- (72) Inventor: **Chih-Cheng Su**, Dongguan (CN)
- (73) Assignee: **DONGGUAN KENTEC OFFICE SEATING CO., LTD.**, Dongguan (CN)
- (**) Term: **15 Years**

D573,817 S *	7/2008	Su	D6/366
D670,927 S *	11/2012	Hurford	D6/366
D688,483 S *	8/2013	Aratani	D6/366
D724,367 S *	3/2015	Sander	D6/716
D763,587 S *	8/2016	Neil	D6/366
D792,120 S *	7/2017	Webb	D6/366
D798,092 S *	9/2017	Pan	D6/366
D801,741 S *	11/2017	Zhu	D6/716
D802,315 S *	11/2017	Meda	D6/366
D823,626 S *	7/2018	Chen	D6/716.4
D831,991 S *	10/2018	Meda	D6/366

(21) Appl. No.: **29/630,017**

(22) Filed: **Dec. 18, 2017**

(51) **LOC (12) Cl.** **06-01**

(52) **U.S. Cl.**
USPC **D6/366**

(58) **Field of Classification Search**
USPC D6/334-336, 364, 365, 366, 374, 375,
D6/379, 380, 716, 716.1, 716.2, 716.4
CPC A47C 7/002; A47C 7/004; A47C 7/02;
A47C 7/18; A47C 7/24; A47C 7/282;
A47C 7/285; A47C 7/40; A47C 7/46;
A47C 7/54

See application file for complete search history.

(56) **References Cited**

U.S. PATENT DOCUMENTS

D534,384 S *	1/2007	Su	D6/366
D559,573 S *	1/2008	Igarashi	D6/366

* cited by examiner

Primary Examiner — Mimosa De

(57) **CLAIM**

The ornamental design for an office chair, as shown.

DESCRIPTION

FIG. 1 is a perspective view of an office chair showing my new design;
FIG. 2 is a front elevational view thereof;
FIG. 3 is a rear elevational view thereof;
FIG. 4 is a left side elevational view thereof;
FIG. 5 is a right side elevational view thereof;
FIG. 6 is a top plan view thereof;
FIG. 7 is a bottom plan view thereof; and,
FIG. 8 is another perspective view thereof.

1 Claim, 8 Drawing Sheets

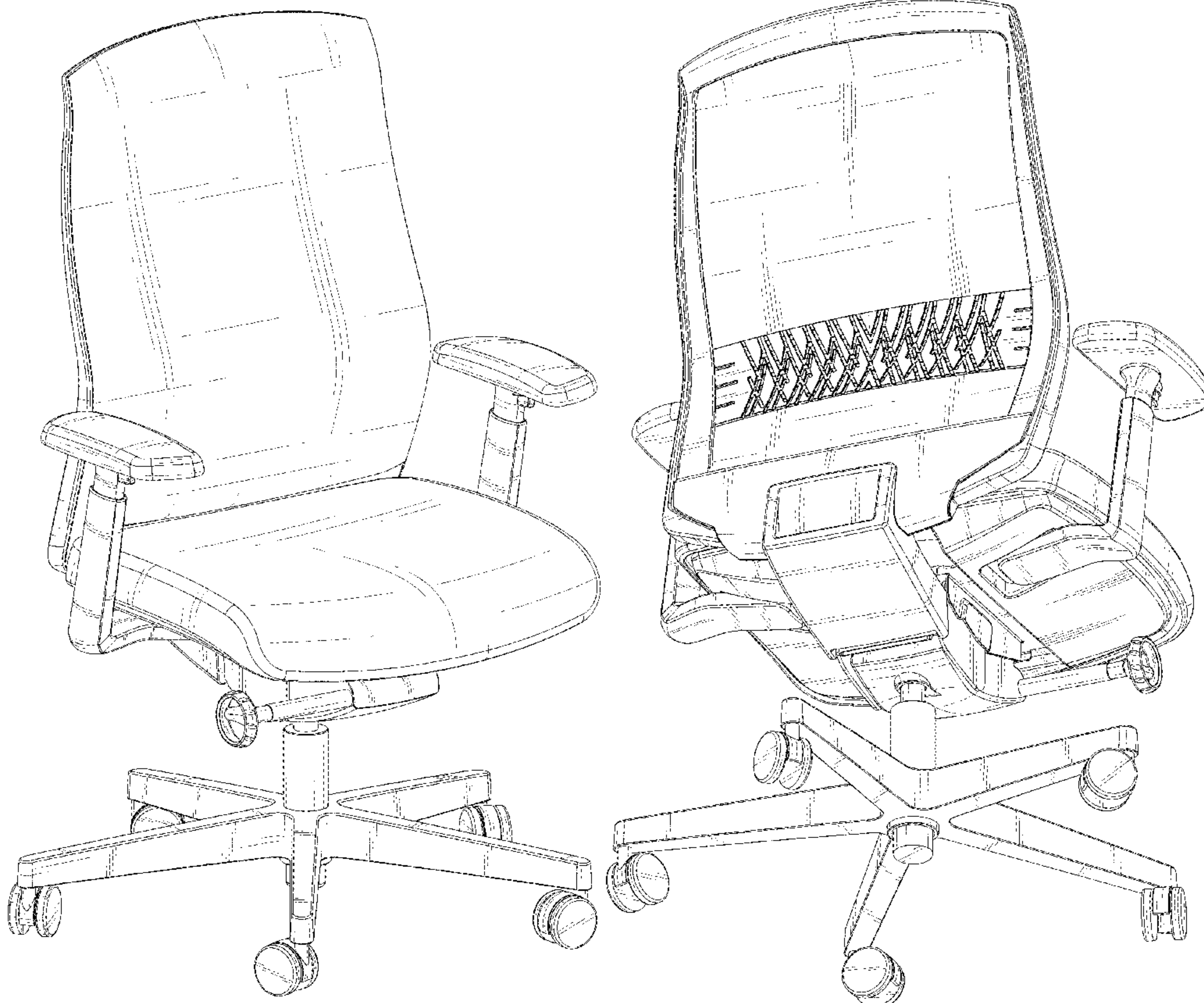




FIG. 1

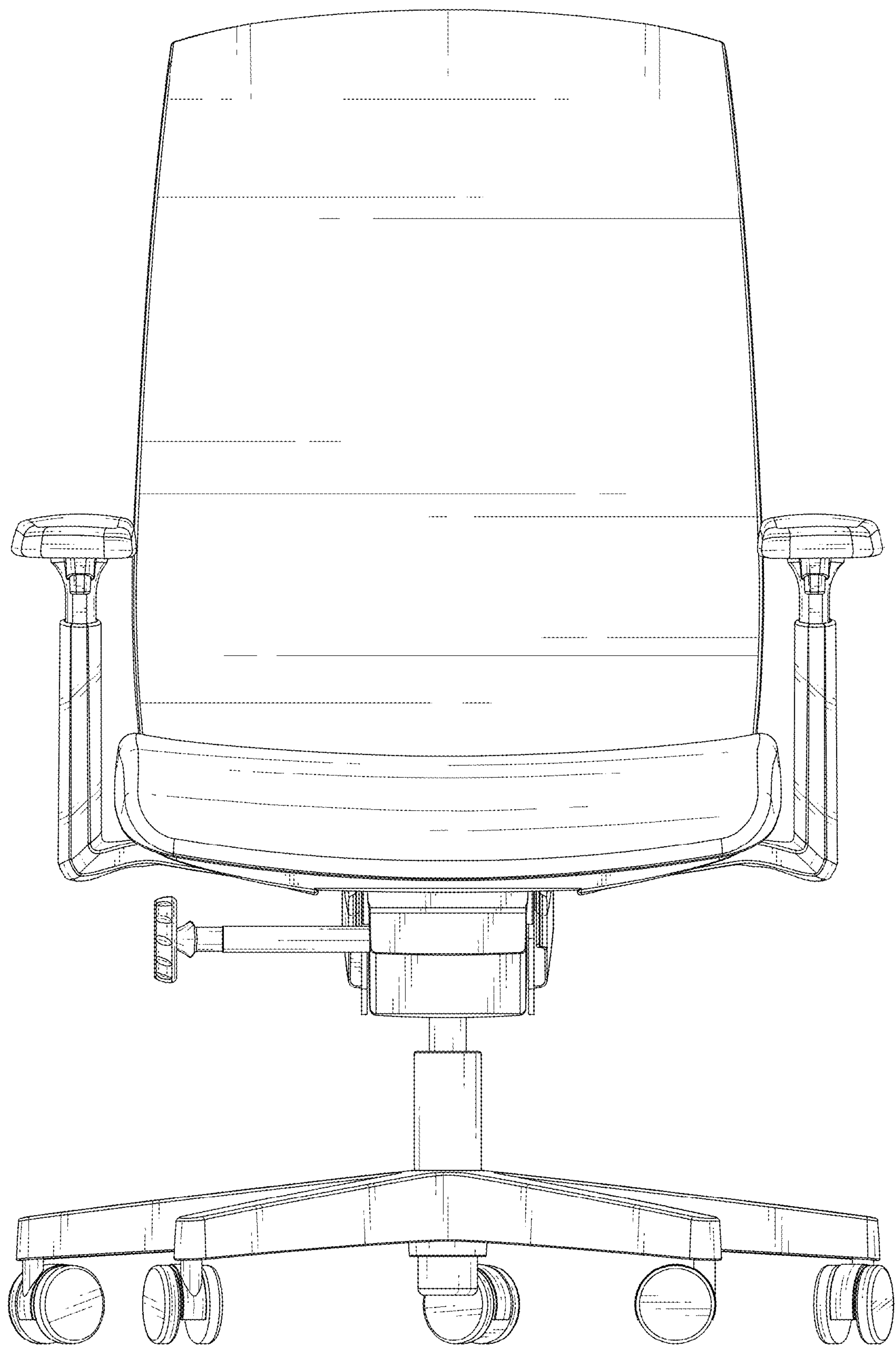


FIG. 2

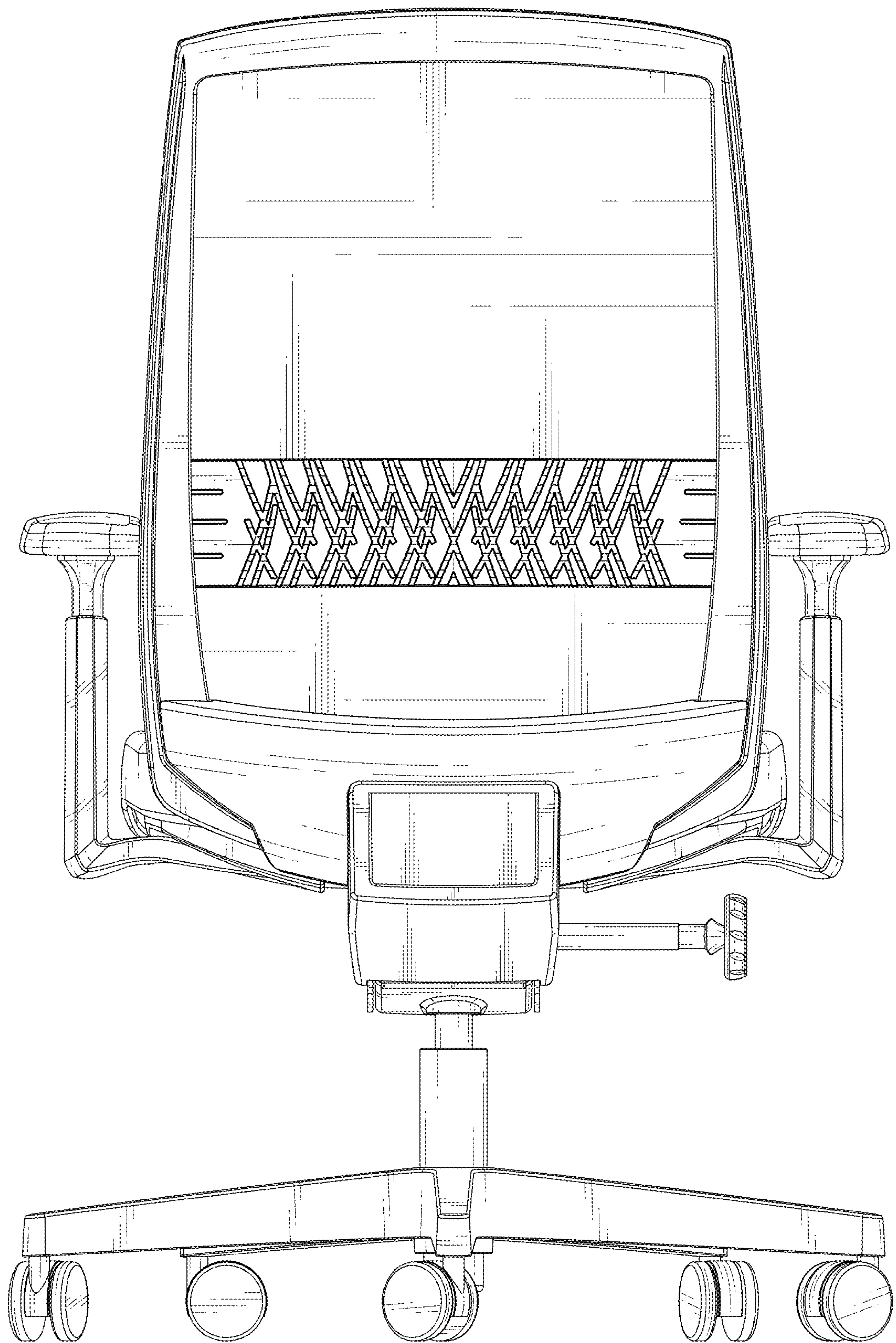


FIG. 3

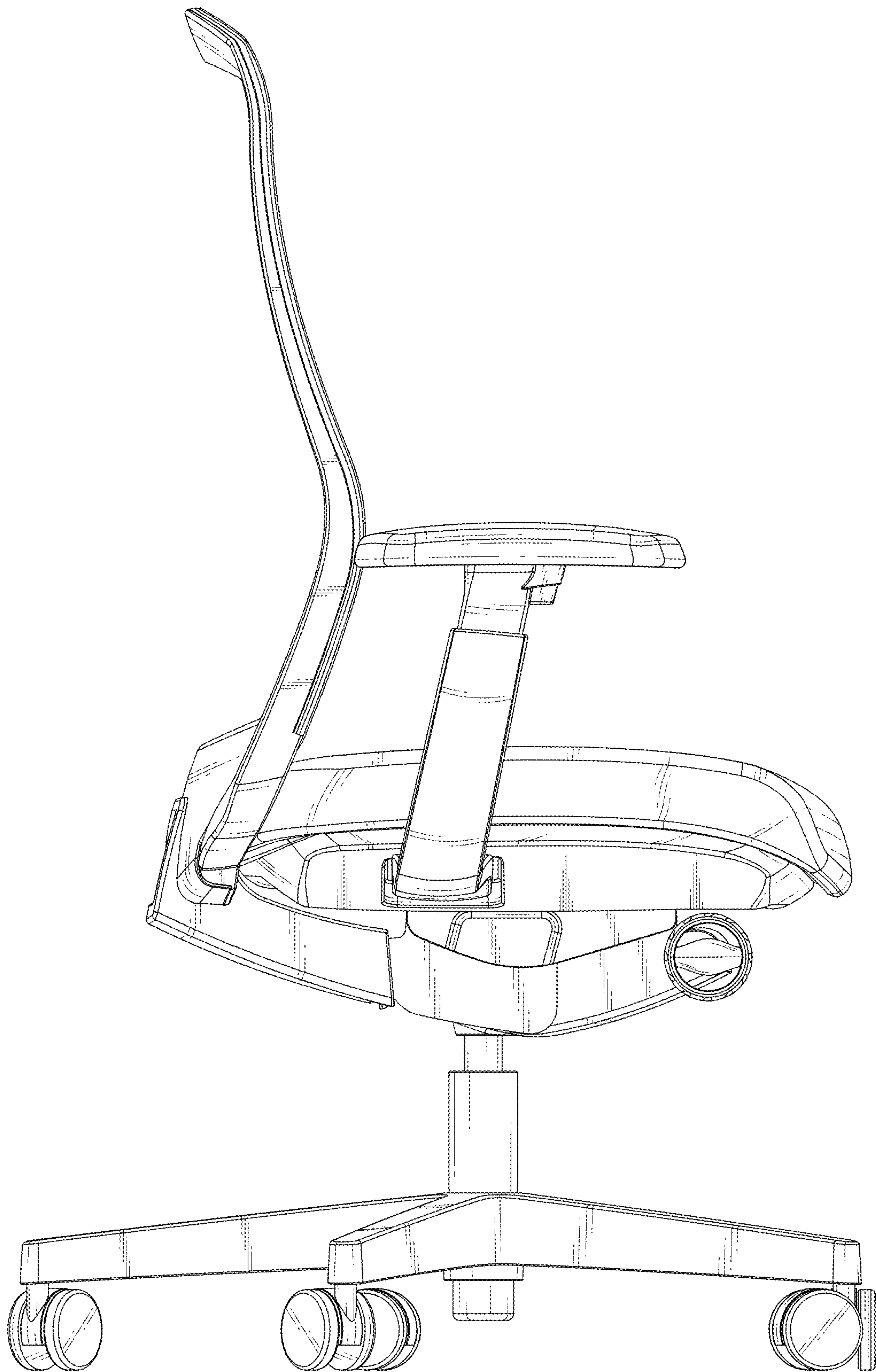


FIG. 4

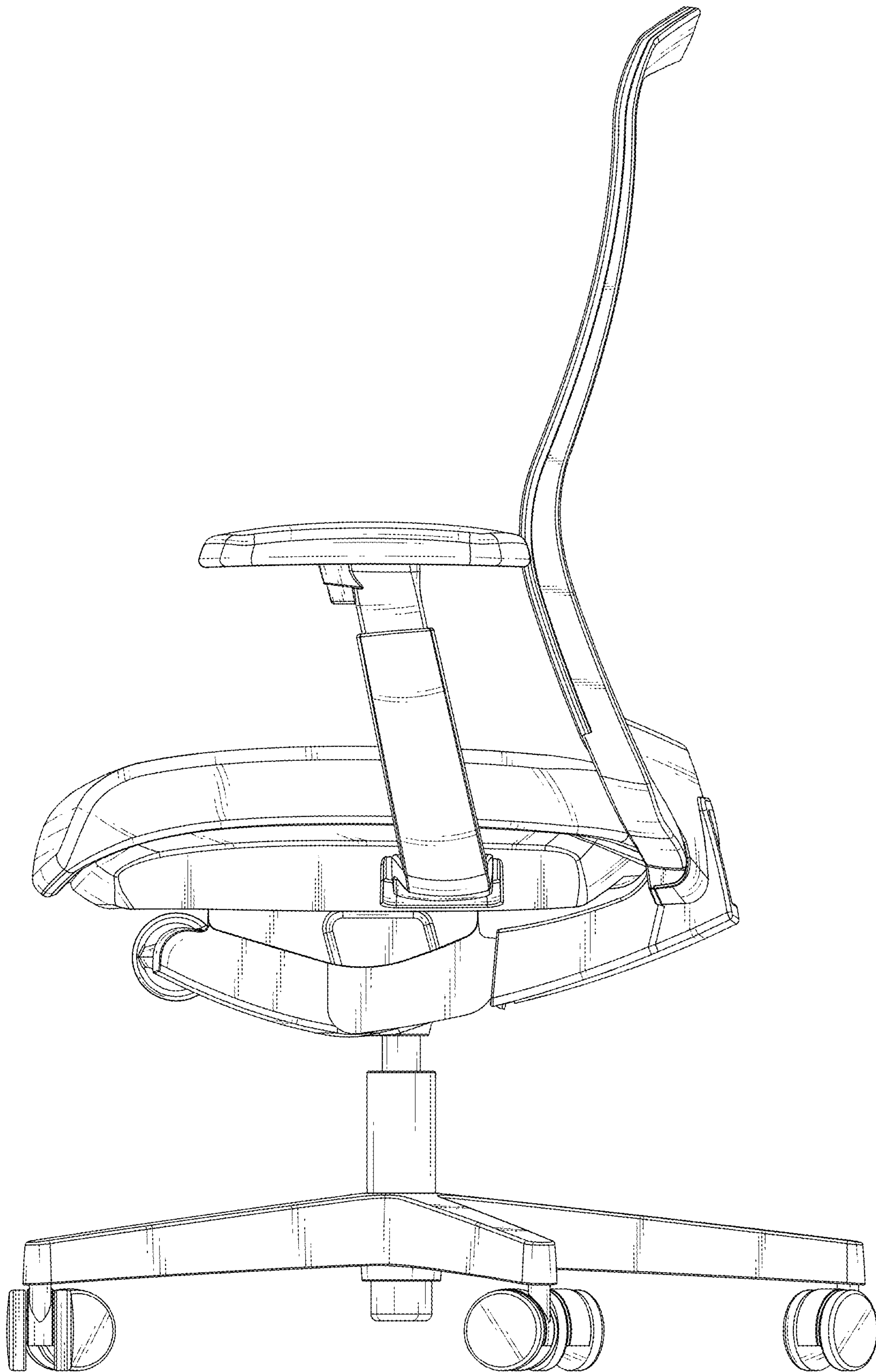


FIG. 5

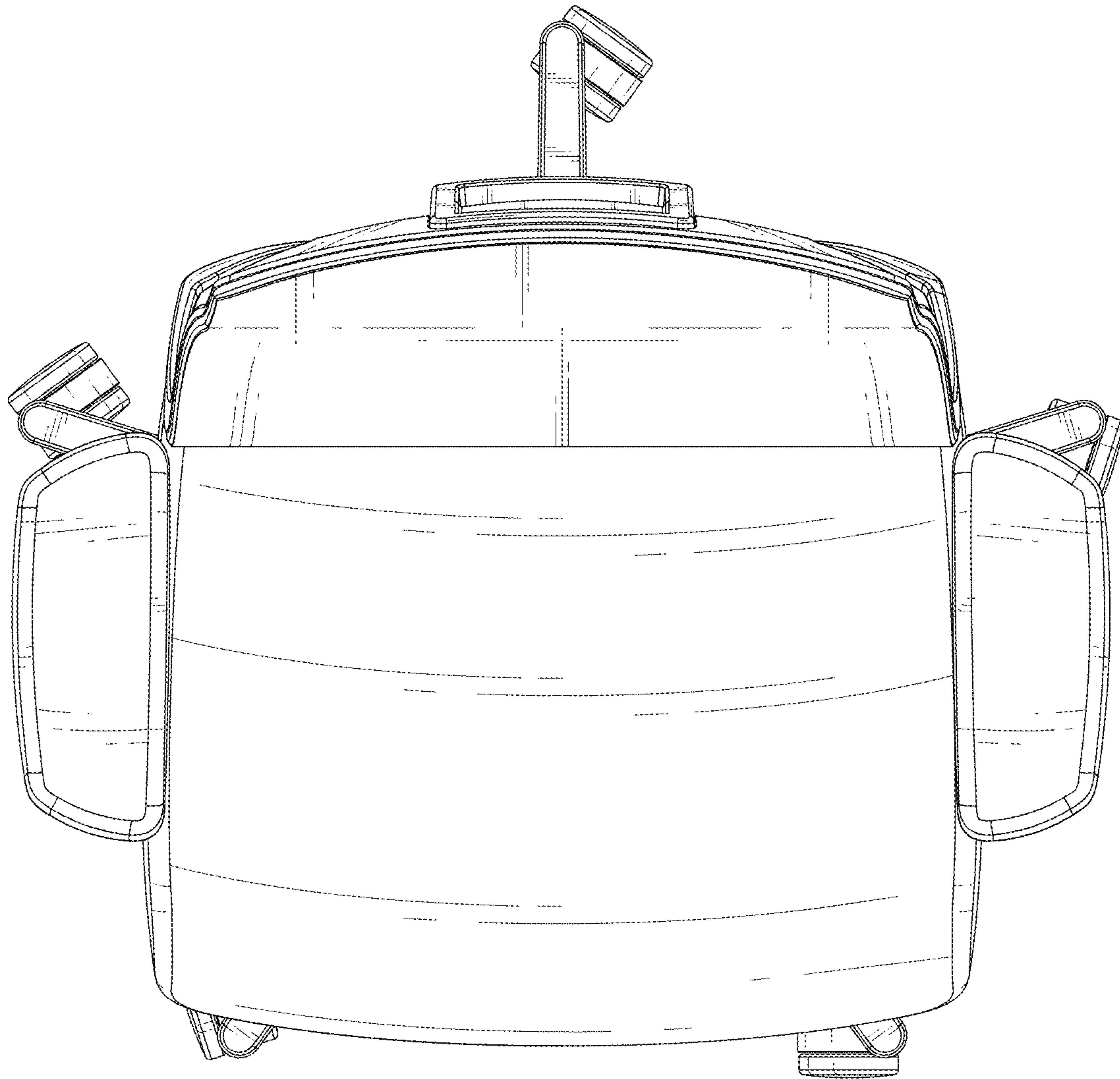


FIG. 6

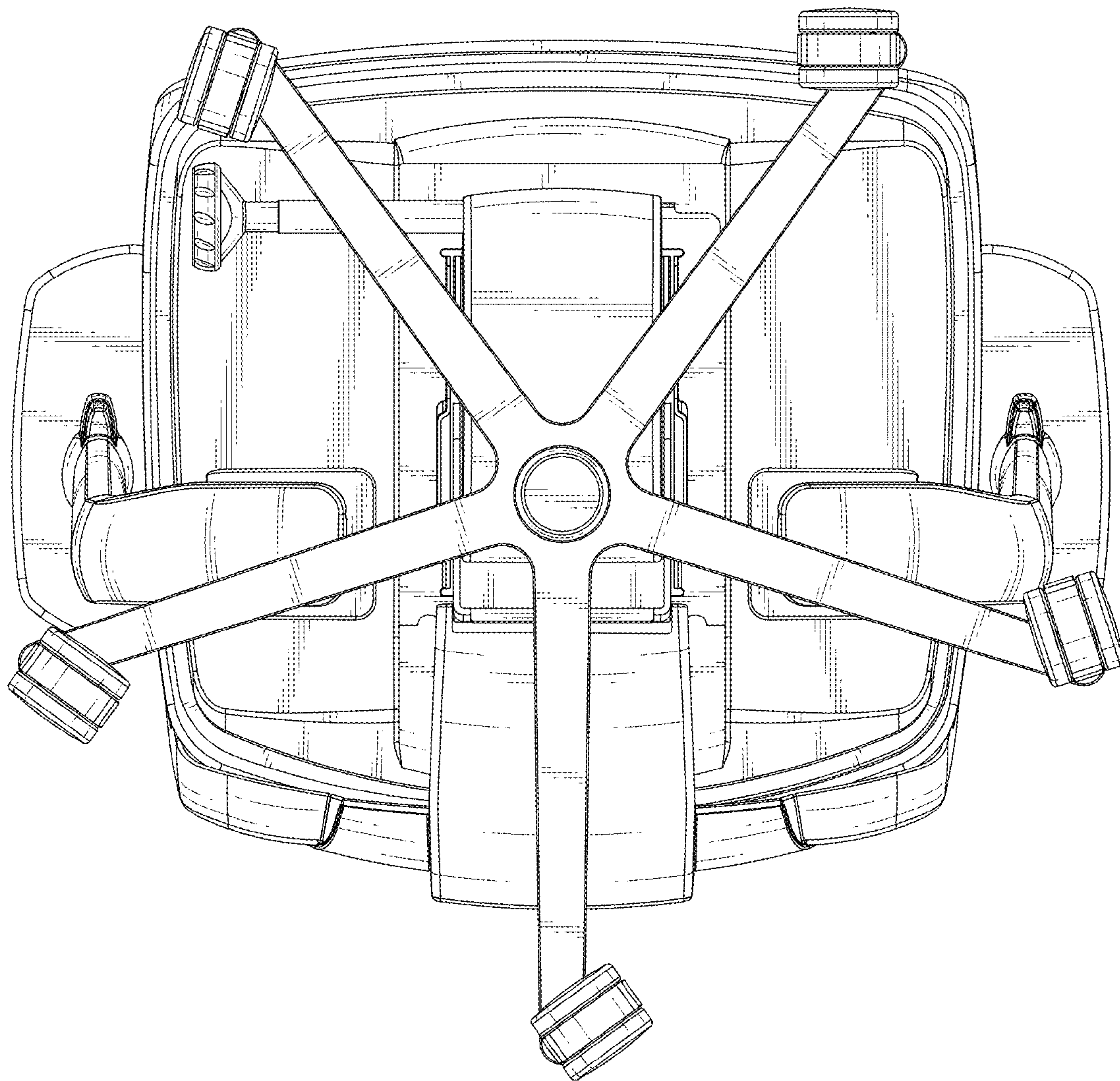


FIG. 7

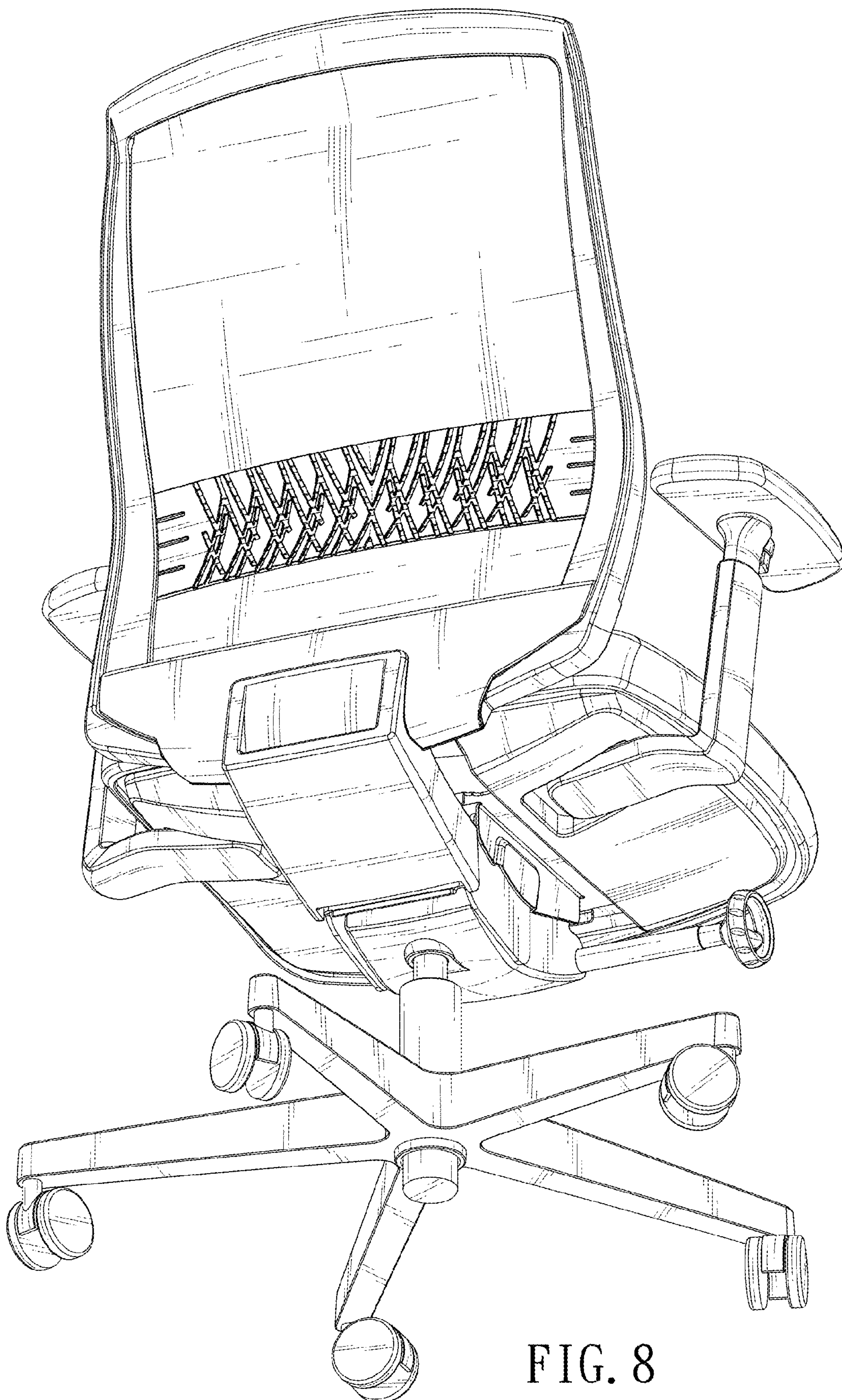


FIG. 8