



US00D873042S

(12) **United States Design Patent**
Dai

(10) **Patent No.:** **US D873,042 S**
(45) **Date of Patent:** **** Jan. 21, 2020**

(54) **TELESCOPIC STOOL**

(71) Applicant: **Shanghai Benxu Precision Mold Co., Ltd**, Shanghai (CN)

(72) Inventor: **Xu-Guang Dai**, Shanghai (CN)

(73) Assignee: **Shanghai Benxu Precision Mold Co., Ltd**, Shanghai (CN)

(**) Term: **15 Years**

(21) Appl. No.: **29/707,361**

(22) Filed: **Sep. 27, 2019**

(51) **LOC (12) Cl.** **06-01**

(52) **U.S. Cl.**
USPC **D6/353; D6/335**

(58) **Field of Classification Search**
USPC D6/349, 351–353, 692, 692.3, 696, 686,
D6/687, 335, 364, 368
See application file for complete search history.

(56) **References Cited**

U.S. PATENT DOCUMENTS

D207,708 S *	5/1967	Michals	D6/352
3,715,996 A *	2/1973	Rolfshus	A47B 3/10 297/311
D233,714 S *	11/1974	Everard et al.	D6/352
6,467,843 B1 *	10/2002	Rossborough	A47C 3/34 108/150
7,195,102 B2	3/2007	Shai		
D589,269 S *	3/2009	Allende	D6/349
D671,757 S *	12/2012	Walker	D6/349
D672,568 S	12/2012	Keeley		
D686,829 S *	7/2013	Elmaleh	D6/352
D776,963 S *	1/2017	Baylar	D6/692
D777,487 S *	1/2017	Baylar	D6/692.3
D801,064 S *	10/2017	Von Boetticher	D6/352
D809,309 S *	2/2018	Theesfeld	D6/349
D809,809 S *	2/2018	Theesfeld	D6/352
D812,919 S *	3/2018	Kim	D6/352

(Continued)

OTHER PUBLICATIONS

Mini Max Portable & Collapsible Stool. [online] Retrieved Oct. 15, 2019 from URL: https://www.bhphotovideo.com/c/product/1452458-REG/mini_max_85393400_stool_portable_collapsible.html/?ap=y&smp=y&lsft=B1%3A514&gclid=E2%80%A6=.*

Primary Examiner — Vy N Koenig

(74) *Attorney, Agent, or Firm* — ScienBiziP, P.C.

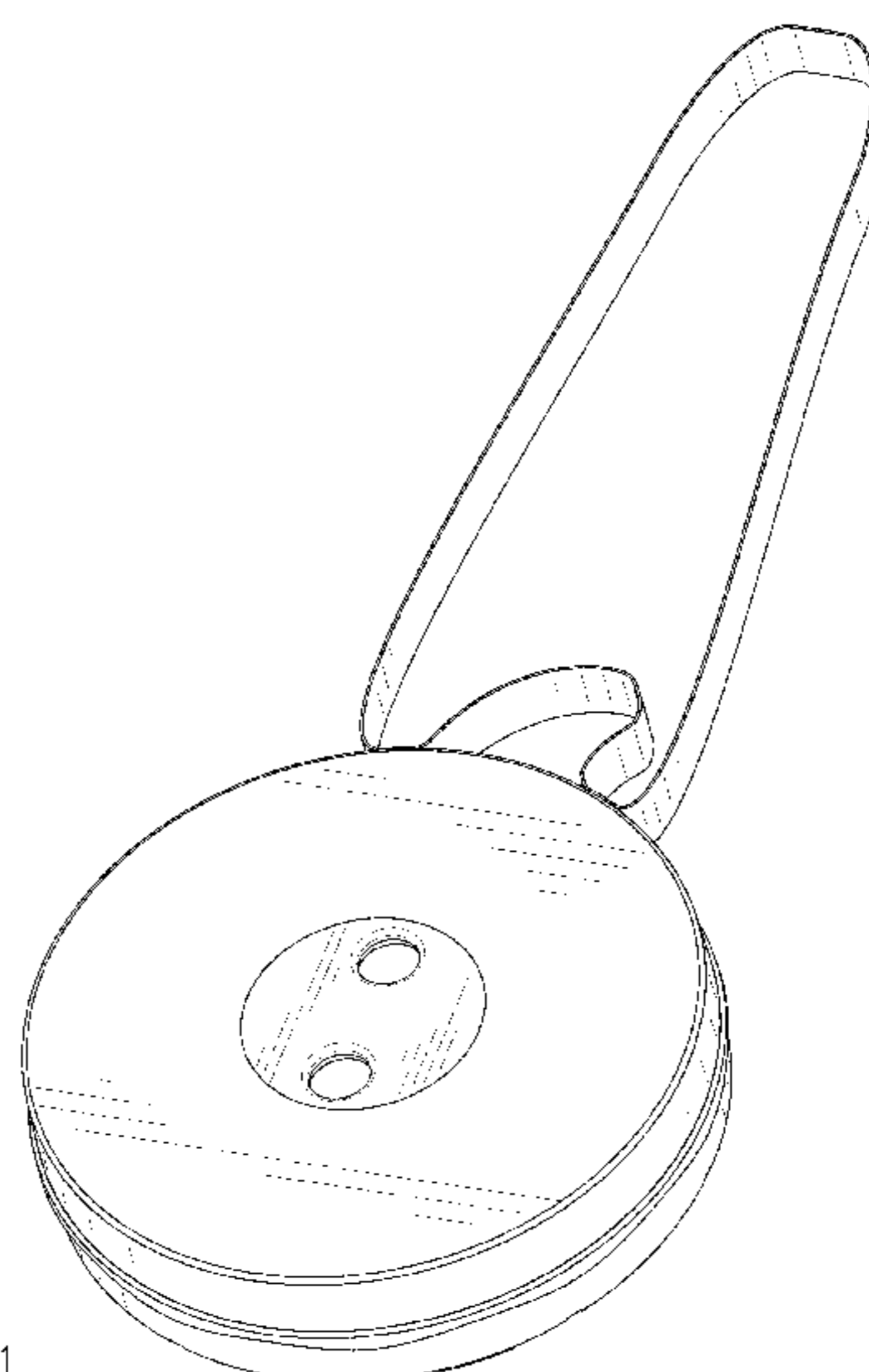
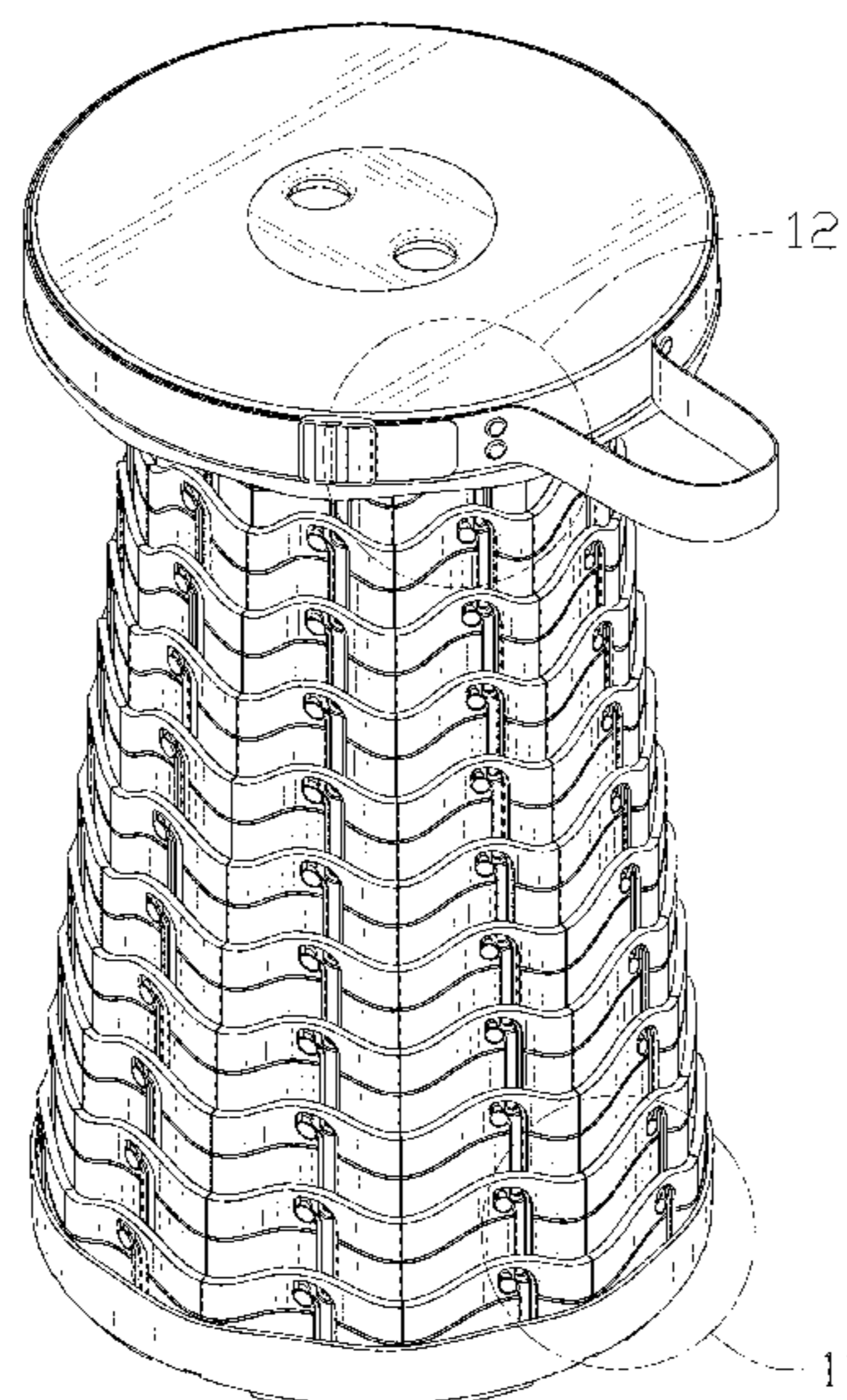
(57) **CLAIM**

The ornamental design for a telescopic stool, as shown and described.

DESCRIPTION

FIG. 1 is a first perspective view of a telescopic stool, showing my design.
 FIG. 2 is a second perspective view thereof.
 FIG. 3 is a front elevation view thereof.
 FIG. 4 is a rear elevation view thereof.
 FIG. 5 is a left side elevation view thereof.
 FIG. 6 is a right side elevation view thereof.
 FIG. 7 is a top plan view thereof.
 FIG. 8 is a bottom plan view thereof.
 FIG. 9 is a reference view of the telescopic stool showing a status when the telescopic stool is folded up.
 FIG. 10 is a reference view of the telescopic stool showing a status when the telescopic stool is folded up and a strap is unfastened from a cover of the telescopic stool.
 FIG. 11 is an enlarged view of an area labeled 11 in FIG. 1.
 FIG. 12 is an enlarged view of an area labeled 12 in FIG. 1; and,
 FIG. 13 is an enlarged view of an area labeled 13 in FIG. 3.
 The details shown in broken lines depict portions of the telescopic stool that form no part of the claimed design.

1 Claim, 13 Drawing Sheets



(56)

References Cited

U.S. PATENT DOCUMENTS

D829,014 S	*	9/2018	Handler	D6/352
D830,710 S	*	10/2018	Harguth	D6/349
D843,745 S	*	3/2019	Walser	D6/349
D853,740 S	*	7/2019	Corey	D6/352

* cited by examiner

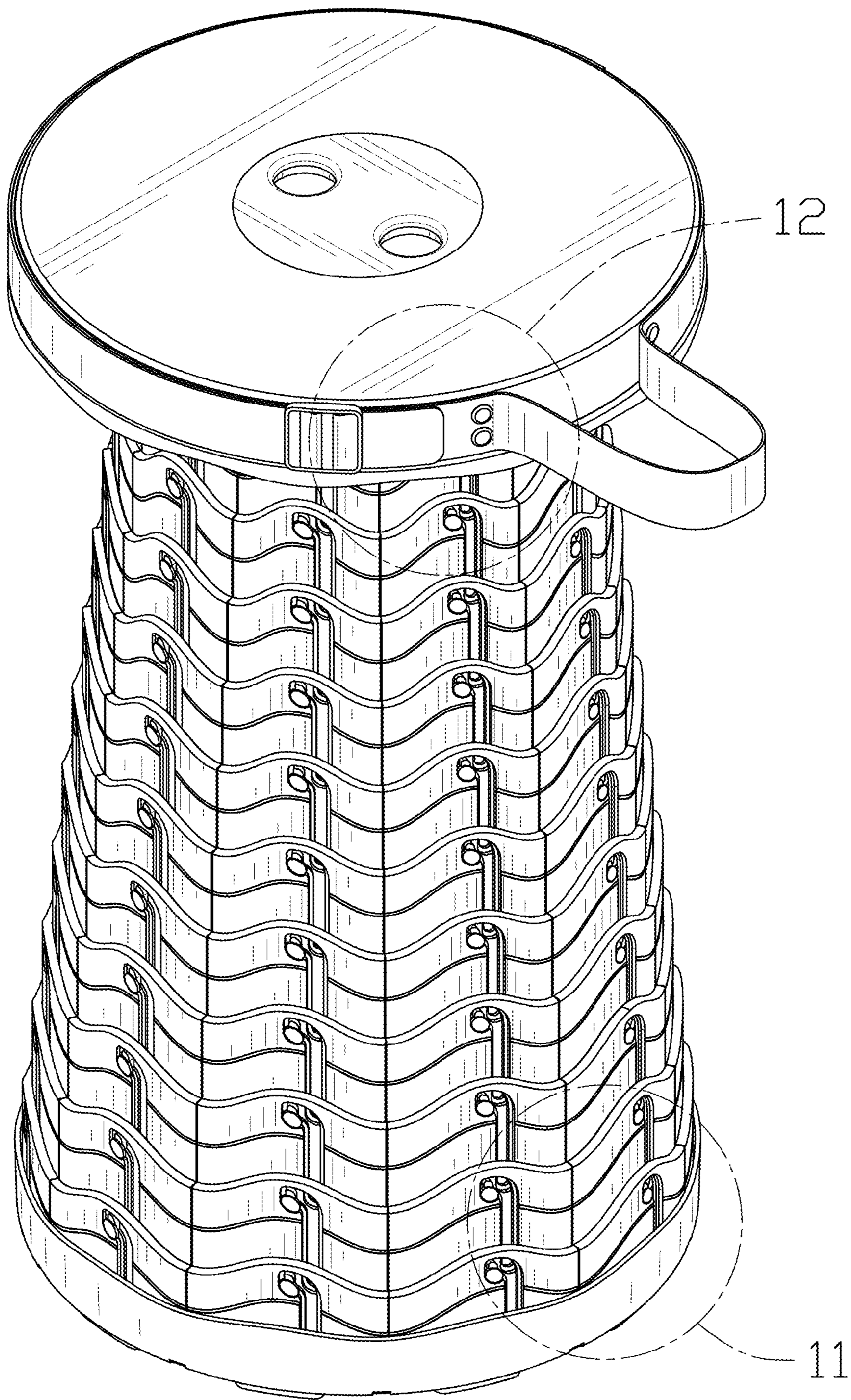


FIG. 1

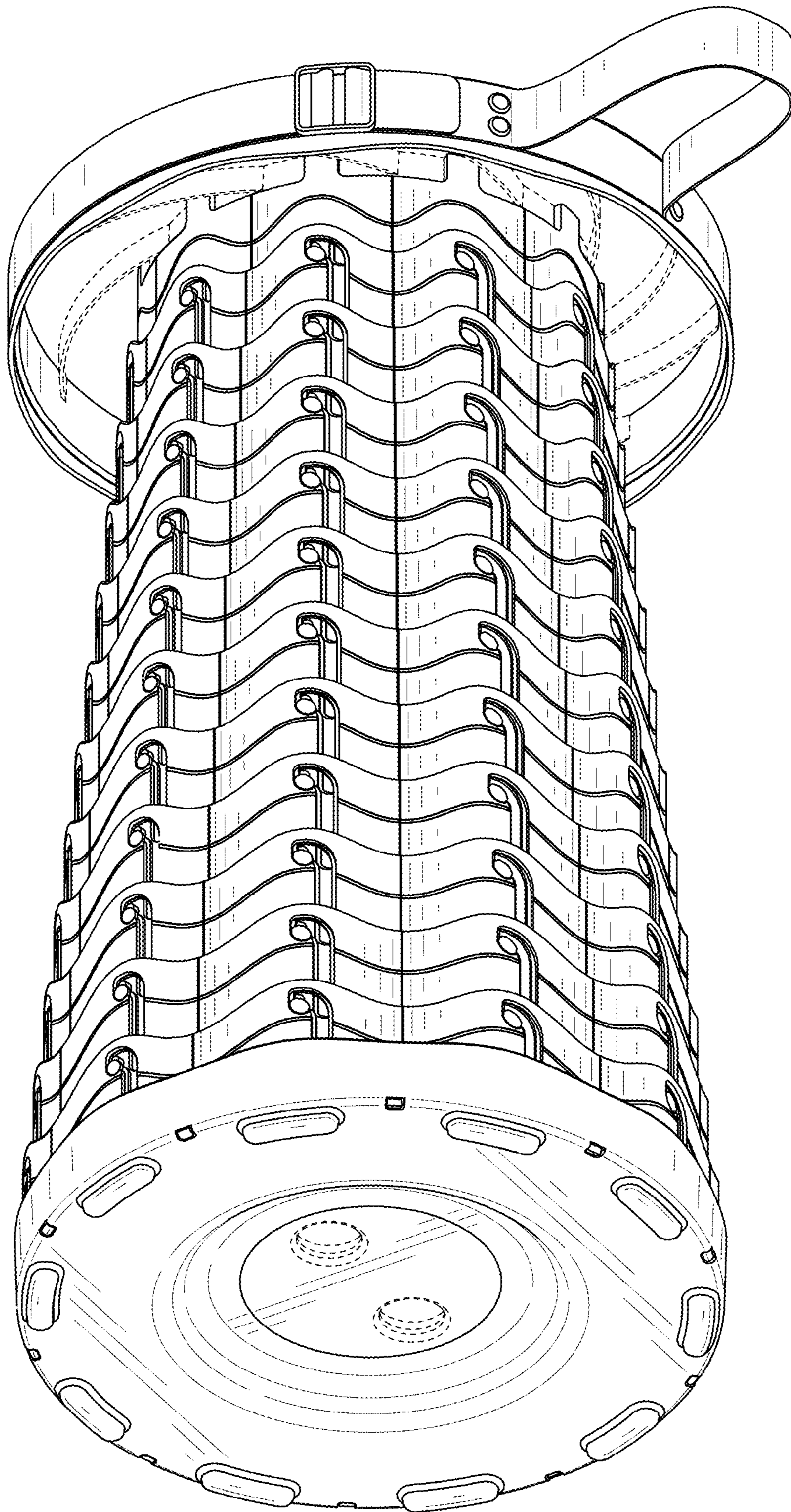


FIG. 2

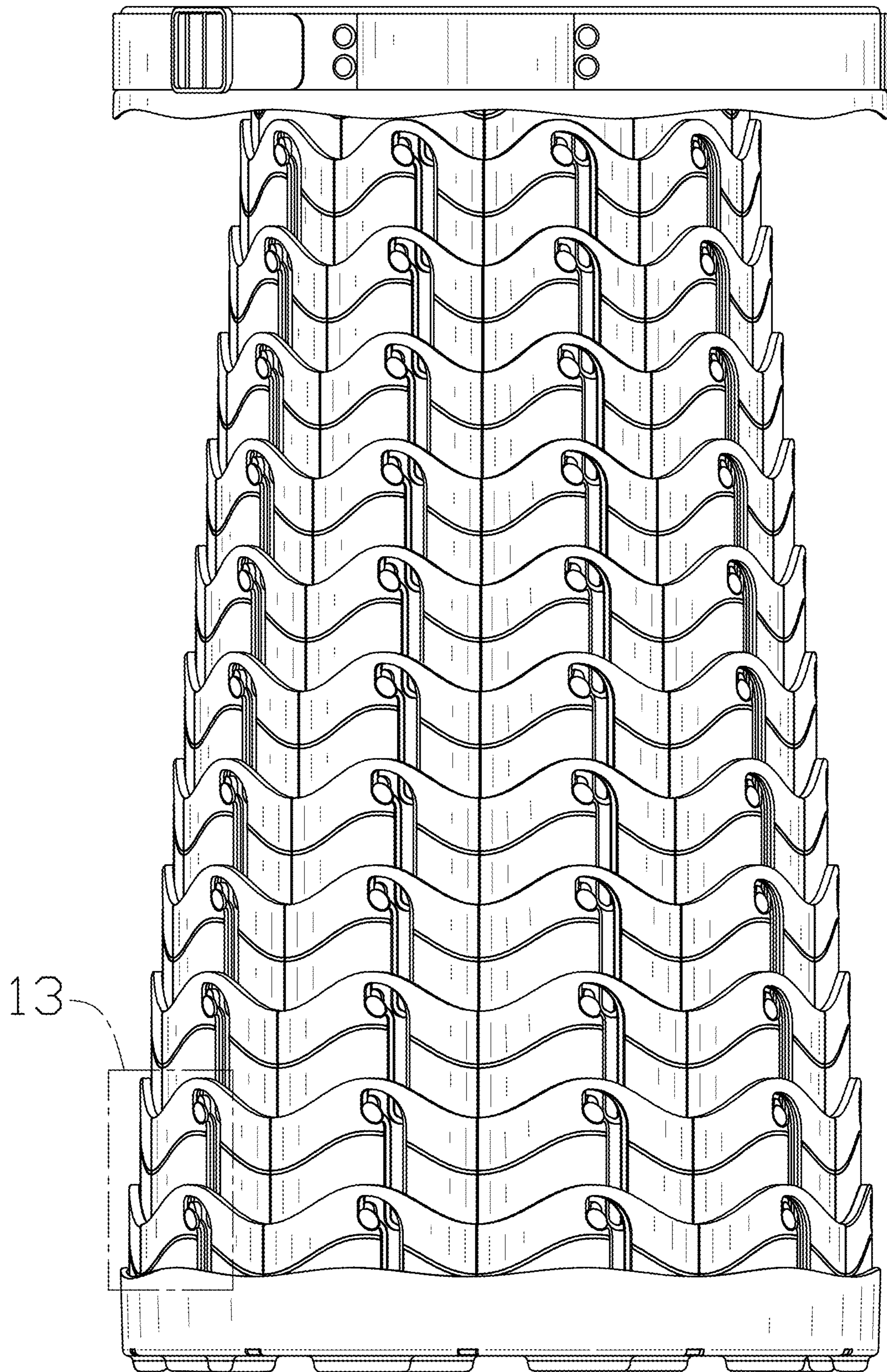


FIG. 3

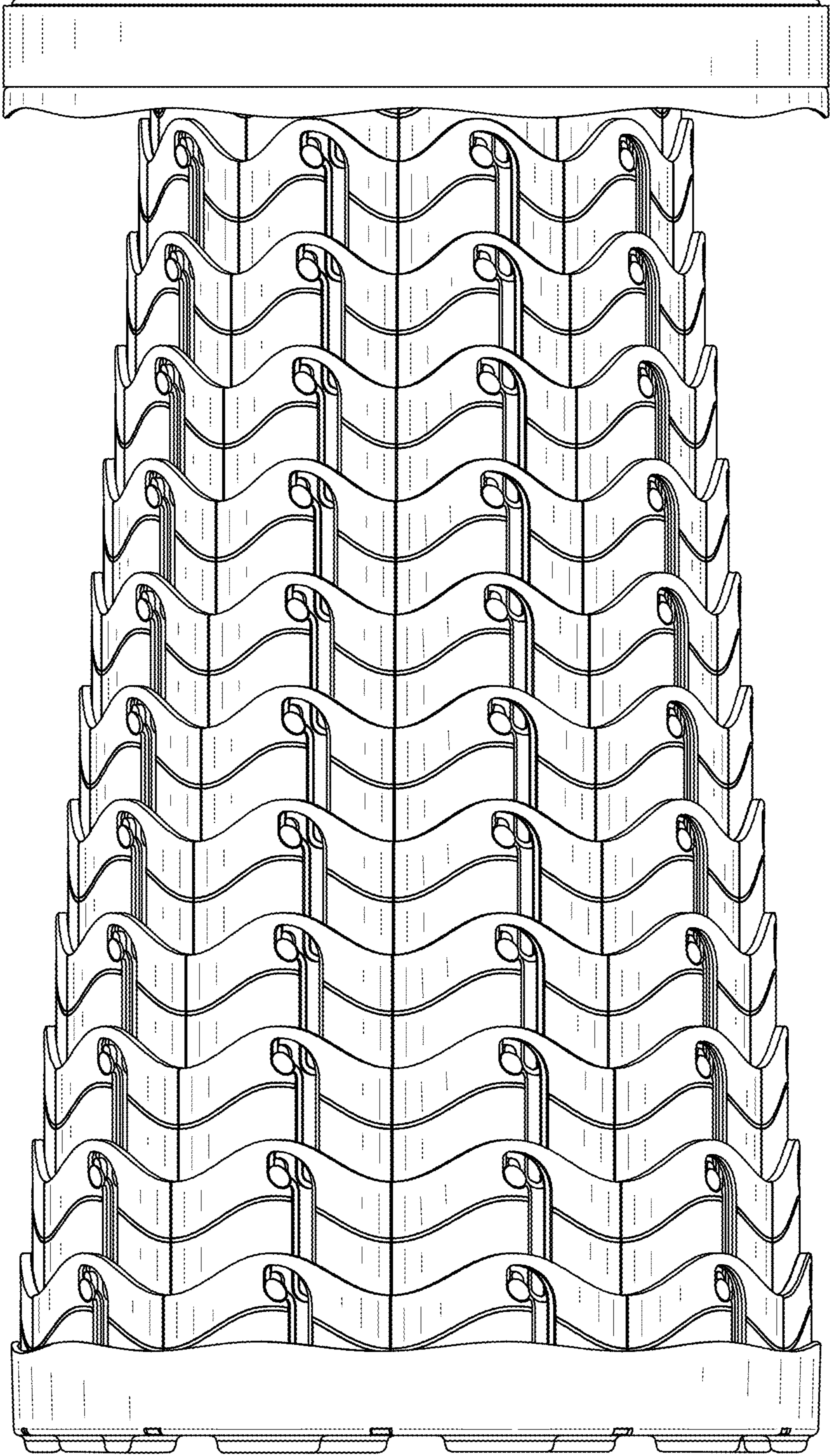


FIG. 4

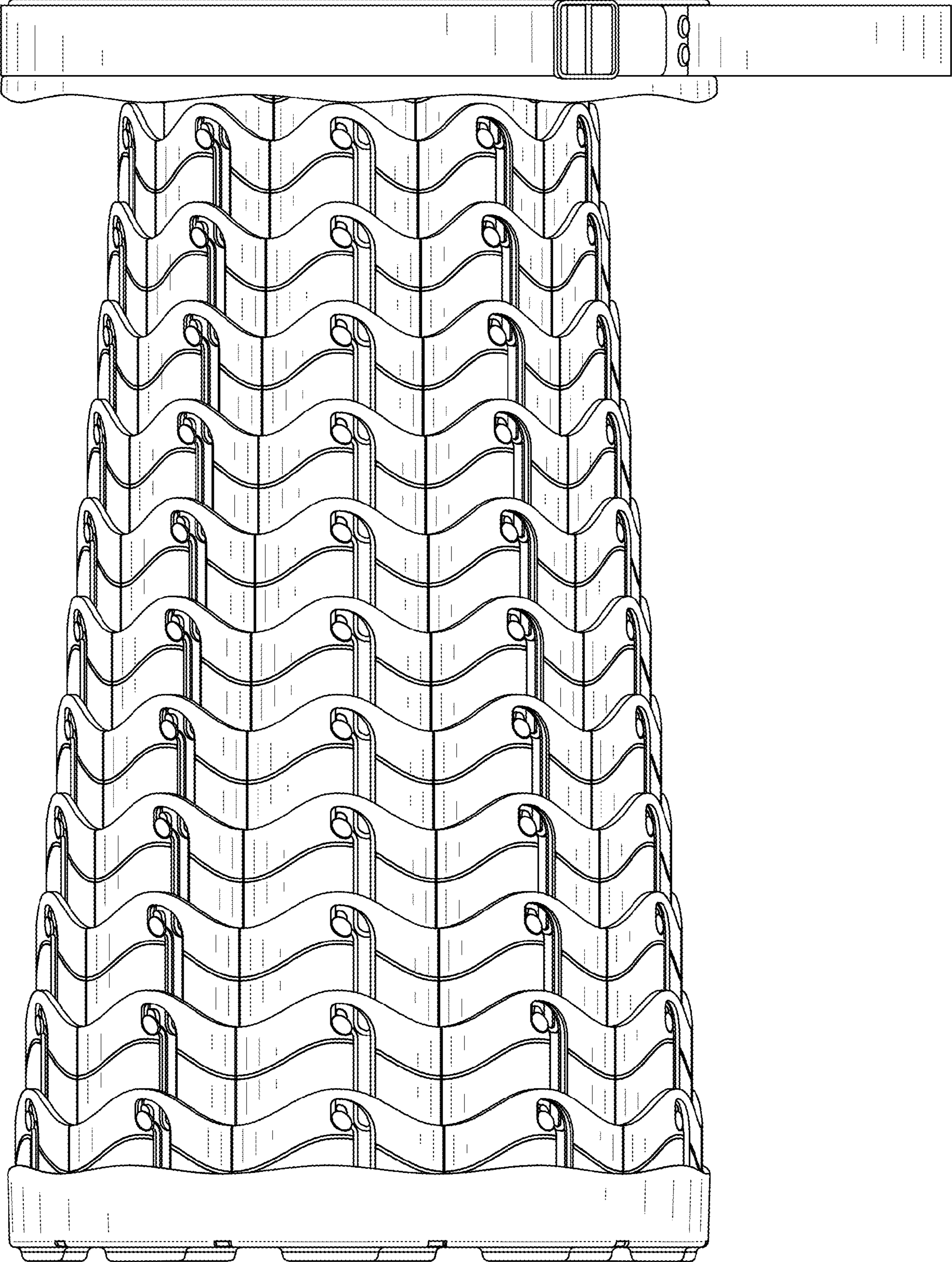


FIG. 5

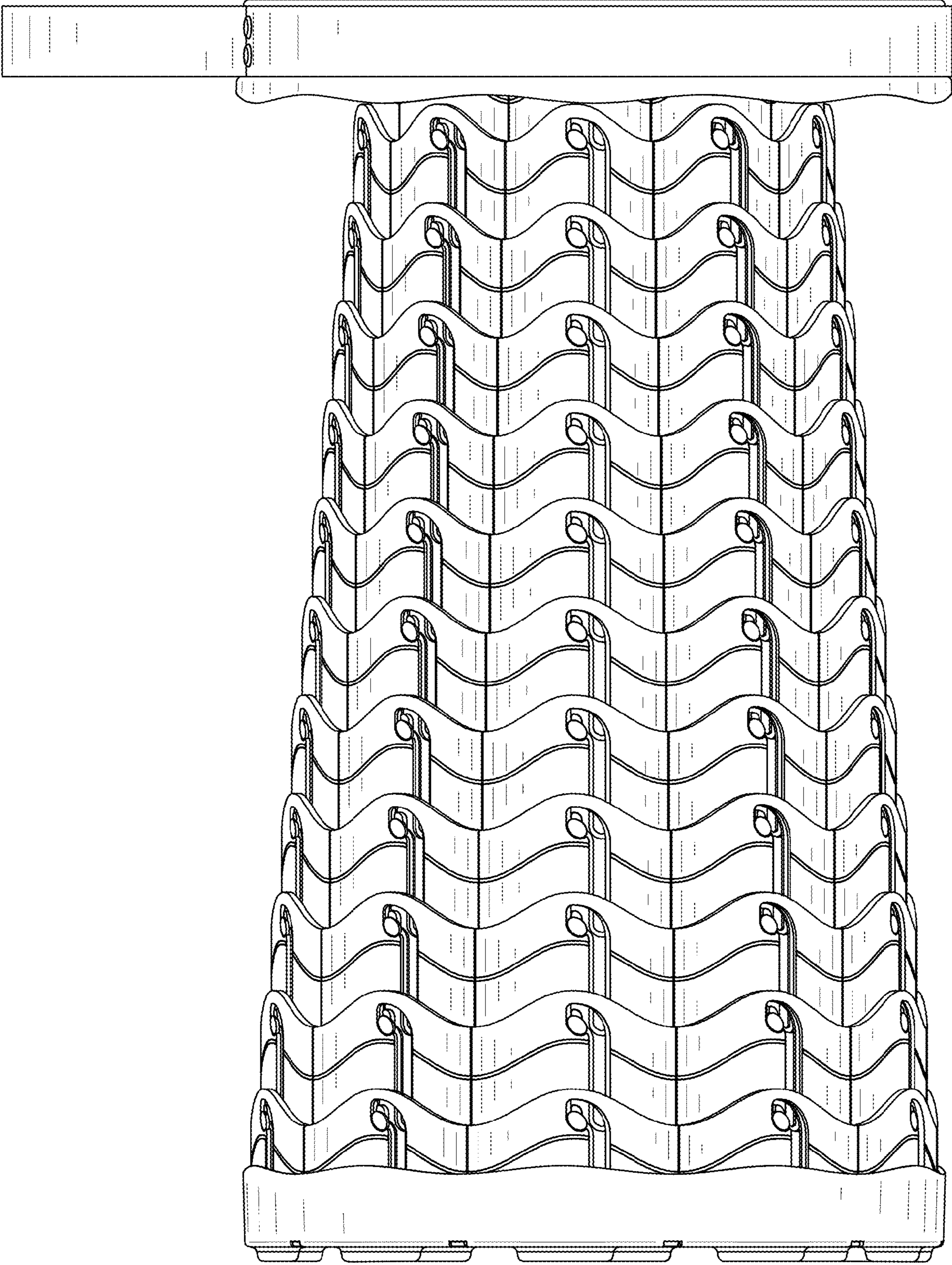


FIG. 6

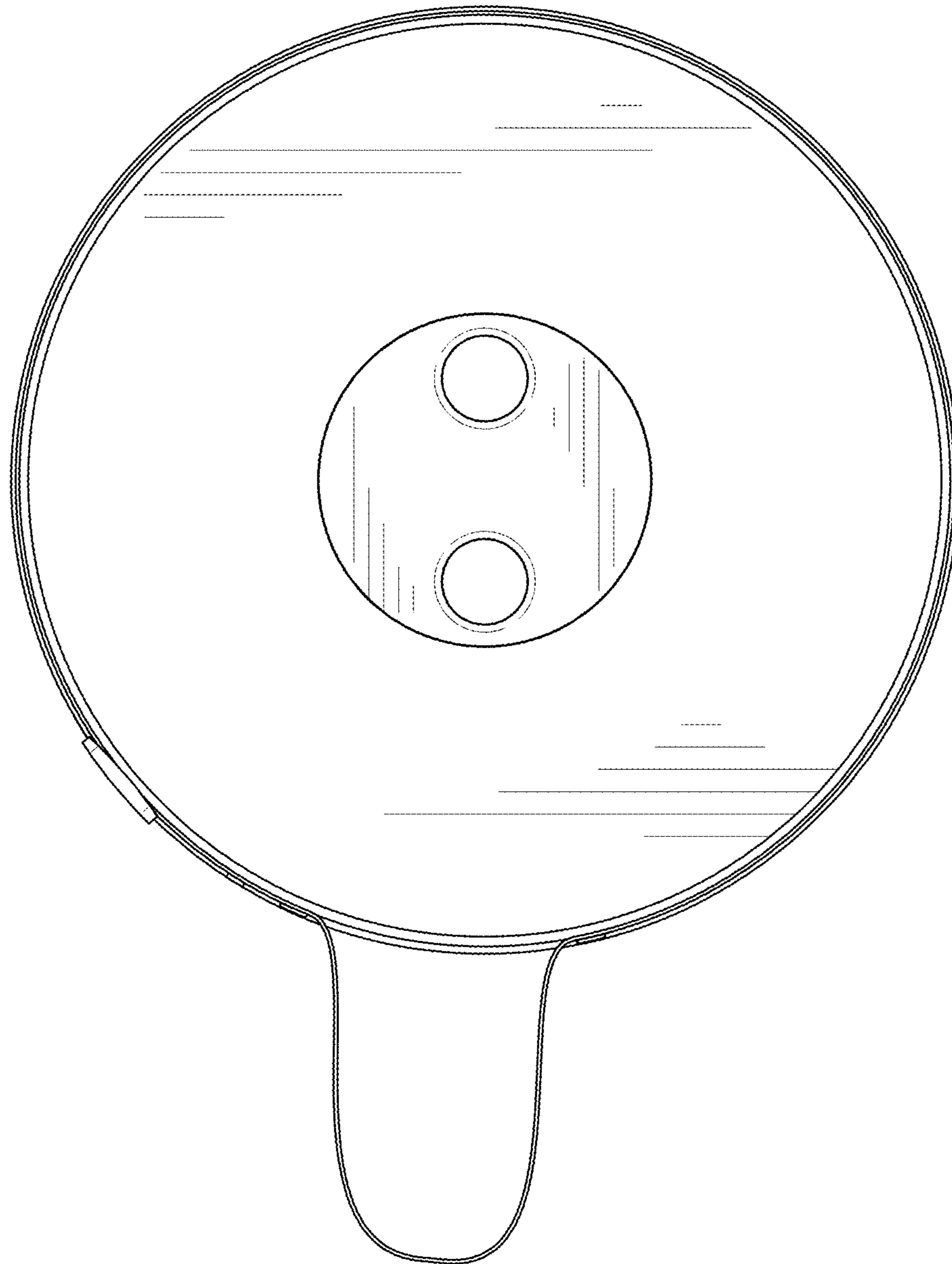


FIG. 7

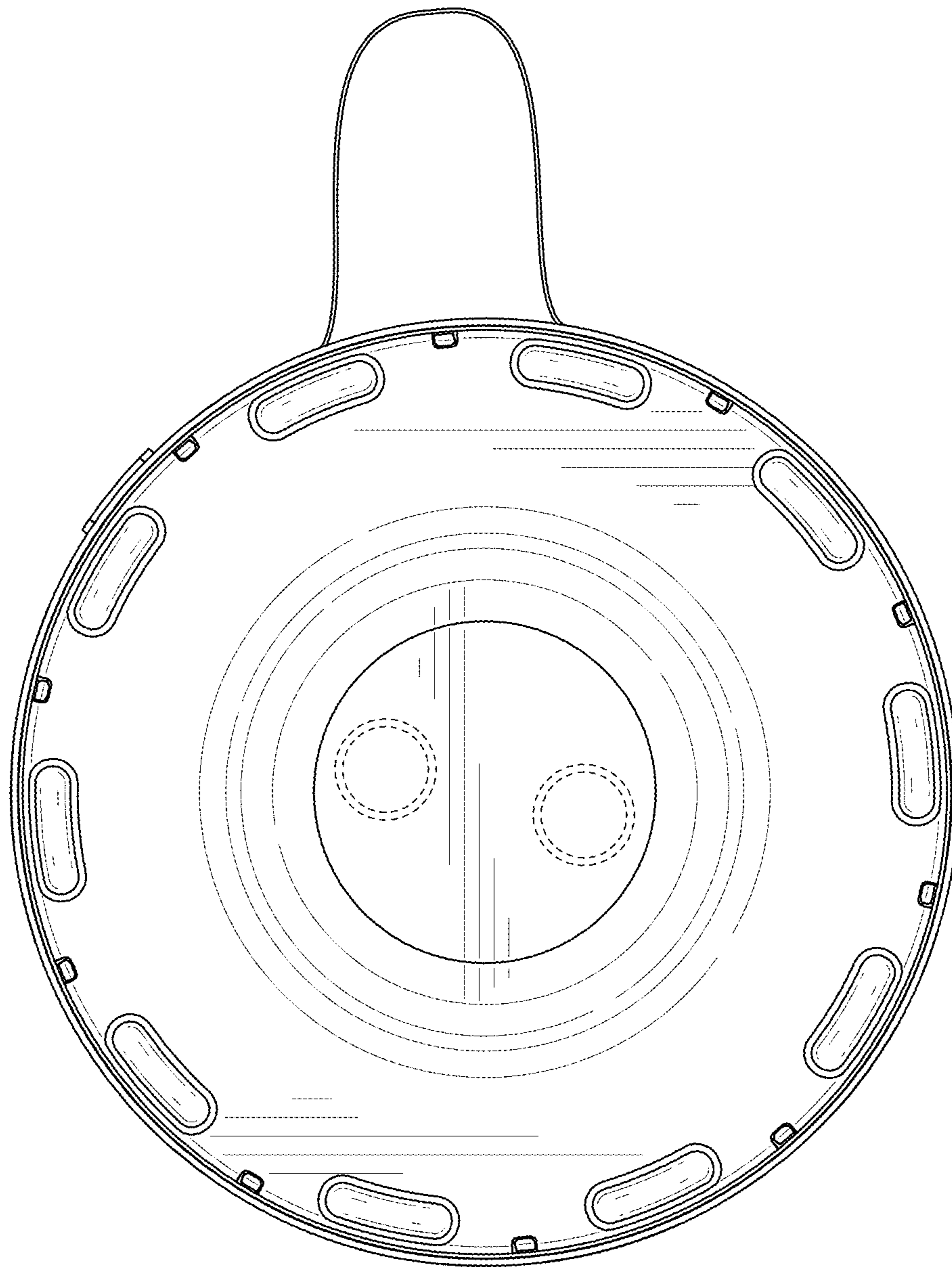


FIG. 8

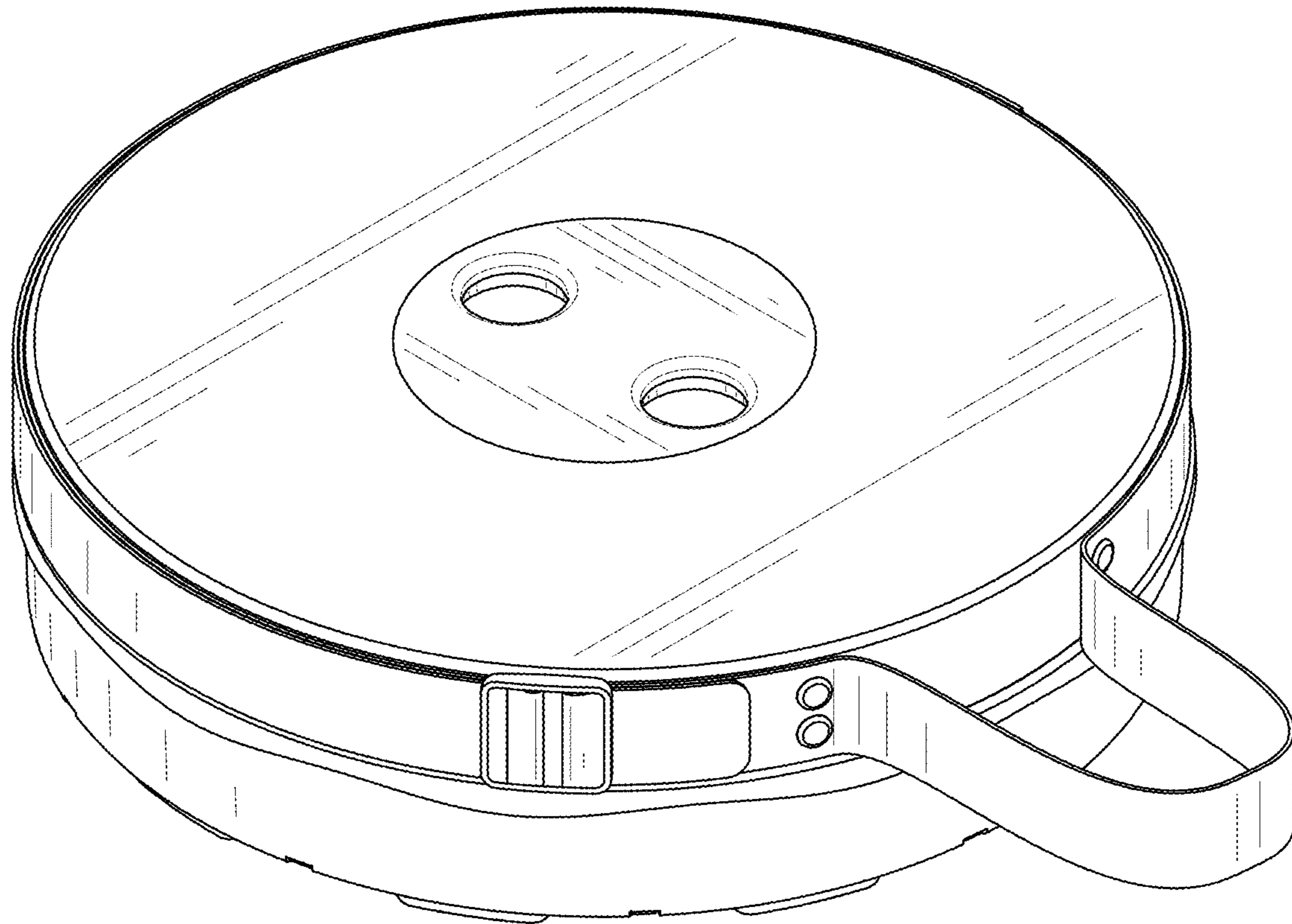


FIG. 9

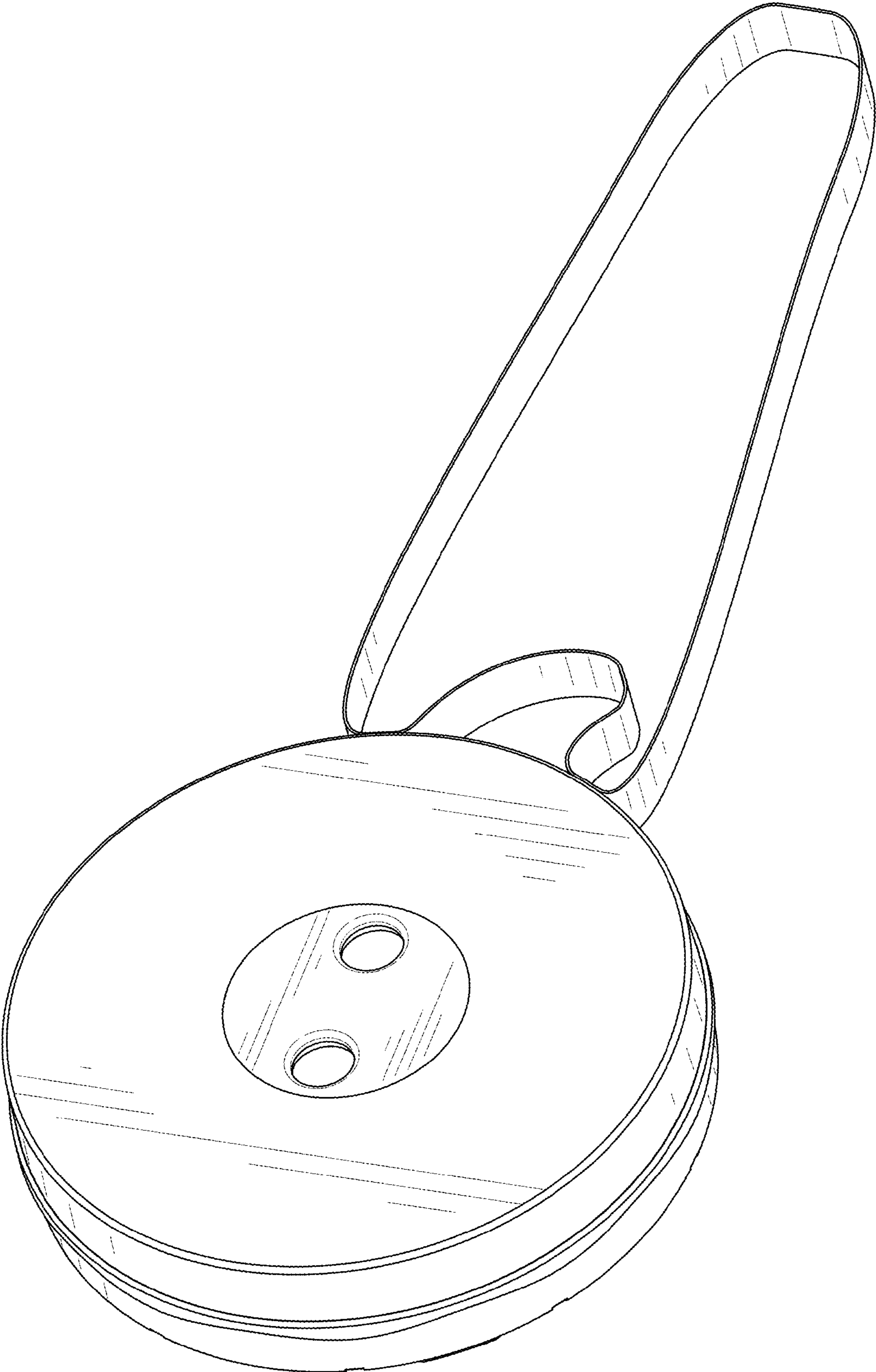


FIG. 10

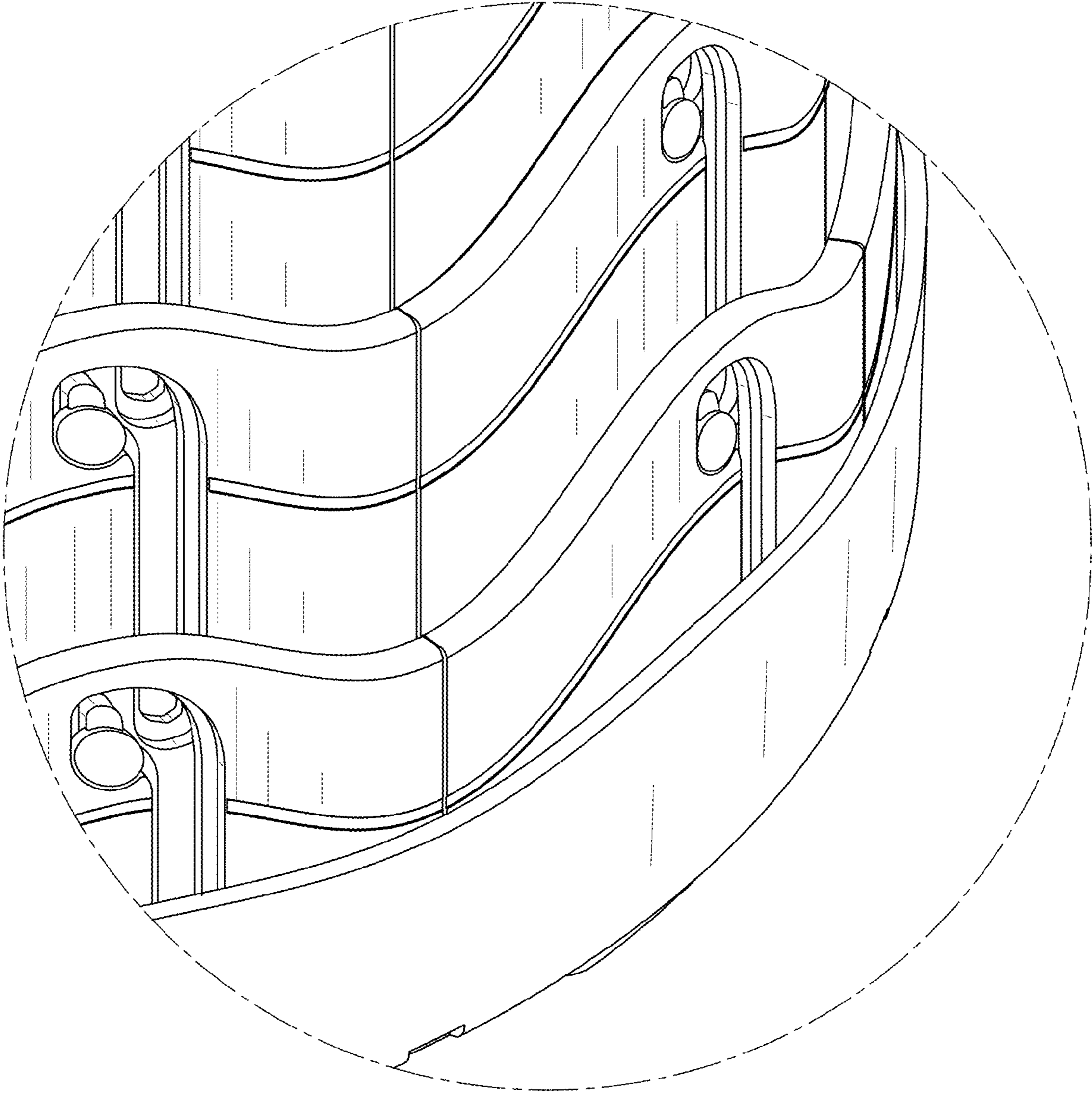


FIG. 11

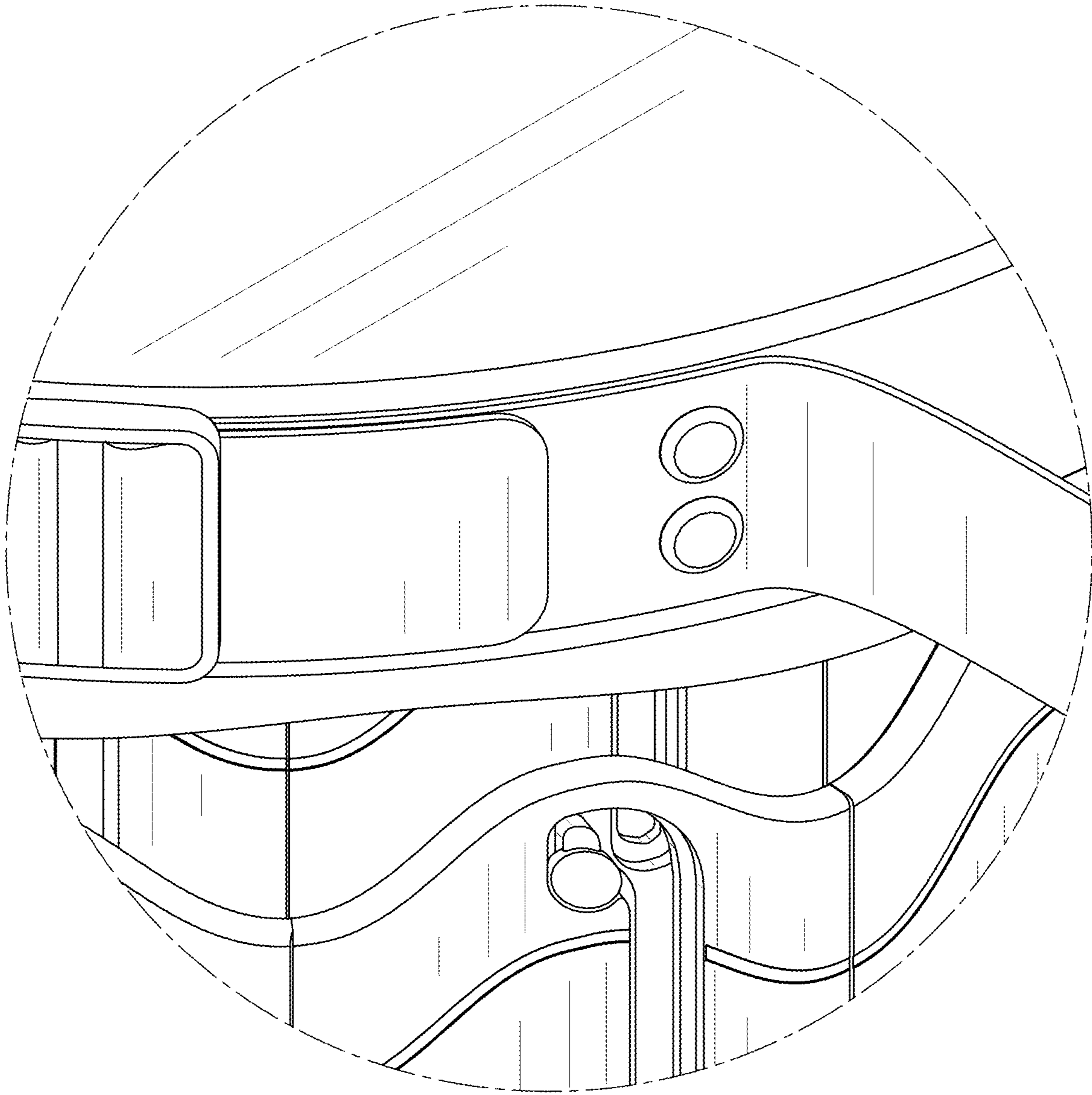


FIG. 12

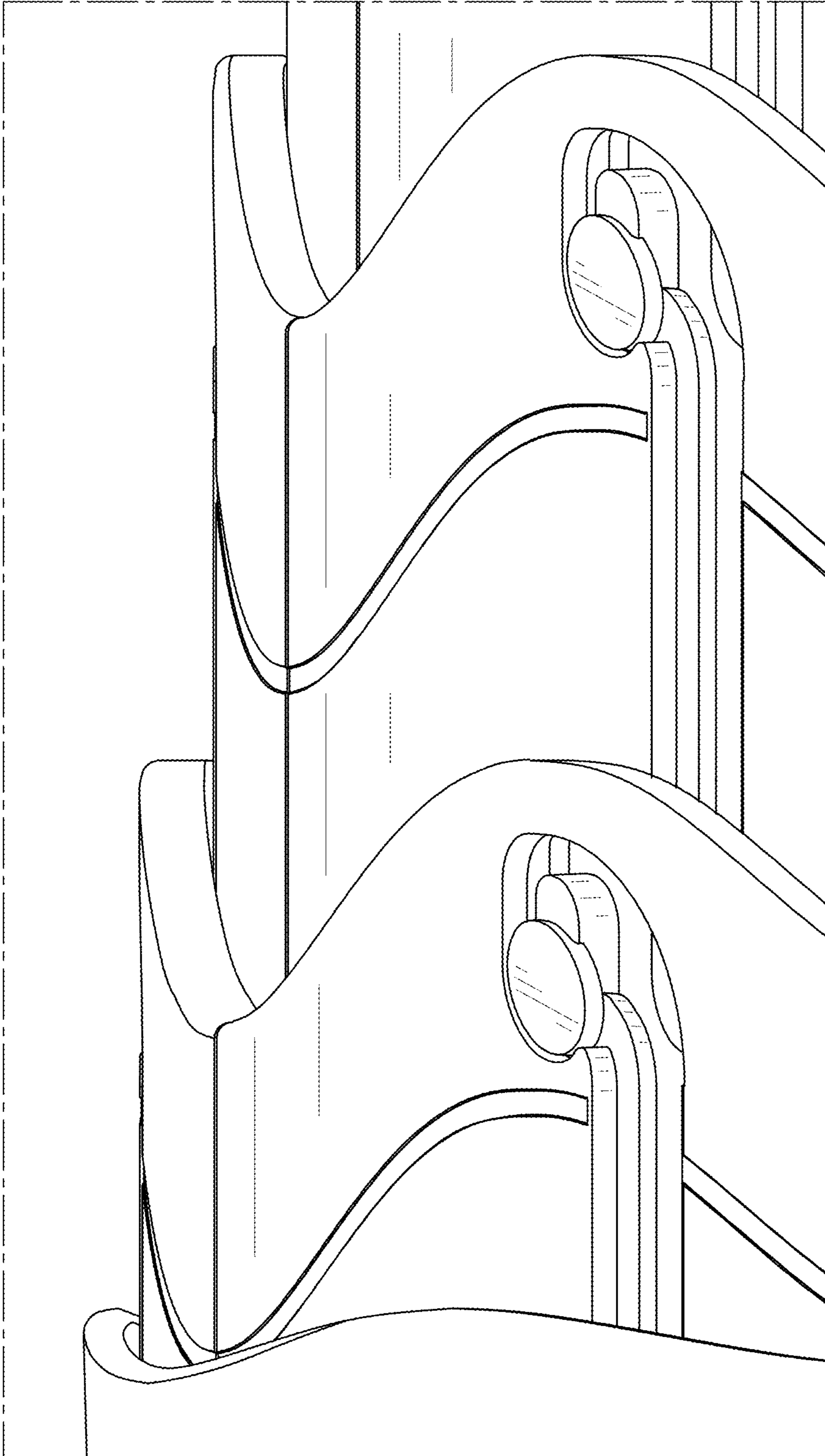


FIG. 13