



US00D873040S

(12) **United States Design Patent**
Gupta

(10) **Patent No.:** **US D873,040 S**

(45) **Date of Patent:** **** Jan. 21, 2020**

(54) **FOOTSTOOL WITH ARCHED FOAM TOP**

(71) Applicant: **Anjum Gupta**, San Diego, CA (US)

(72) Inventor: **Anjum Gupta**, San Diego, CA (US)

(**) Term: **15 Years**

(21) Appl. No.: **29/678,416**

(22) Filed: **Jan. 29, 2019**

(51) **LOC (12) Cl.** **06-01**

(52) **U.S. Cl.**

USPC **D6/349**

(58) **Field of Classification Search**

USPC D6/334-338, 340-343, 349-353, 355,
D6/364-365, 691-691.9, 692-692.6,
D6/716-716.1, 717; D25/65

CPC A47B 7/00-02; A47C 11/00; A47C 12/00;
A47C 13/00; A47C 16/00; A47C
16/02-04; A47C 9/00-105; A47K 17/02;
A47K 17/028

See application file for complete search history.

(56) **References Cited**

U.S. PATENT DOCUMENTS

D414,974 S *	10/1999	Marrone, II	5/638
D567,562 S *	4/2008	Nash	D6/601
D637,439 S *	5/2011	Mettler	D6/601
D673,410 S *	1/2013	O'Connell	D6/601
D677,478 S *	3/2013	Edwards	D6/349
9,307,879 B2 *	4/2016	Fagre	A47K 17/028
D766,604 S *	9/2016	Edwards	A47K 17/02 D6/353
D767,291 S *	9/2016	Edwards	A47C 16/025 D6/353
D797,466 S *	9/2017	Zioni	D6/353
D801,095 S *	10/2017	Konghe	D6/716

D813,560 S *	3/2018	Zioni	D6/353
D840,166 S *	2/2019	Nethercott	D6/353
D840,167 S *	2/2019	Nethercott	D6/353
D842,618 S *	3/2019	Nethercott	D6/353
D846,293 S *	4/2019	Love	D6/349
D847,521 S *	5/2019	Lisnic	D6/353
D854,840 S *	7/2019	Sato	D6/349
2010/0263114 A1 *	10/2010	Nagy	A47K 17/028 4/254
2014/0123376 A1 *	5/2014	Edwards	A47K 17/028 4/254

* cited by examiner

Primary Examiner — Vy N Koenig

(57) **CLAIM**

The ornamental design for a footstool with arched foam top, as shown.

DESCRIPTION

FIG. 1 is a top right front side perspective view of a footstool with arched foam top;

FIG. 2 is a bottom right back side view of a footstool with arched foam top;

FIG. 3 is a top perspective view of a footstool with arched foam top;

FIG. 4 is a bottom perspective view of a footstool with arched foam top;

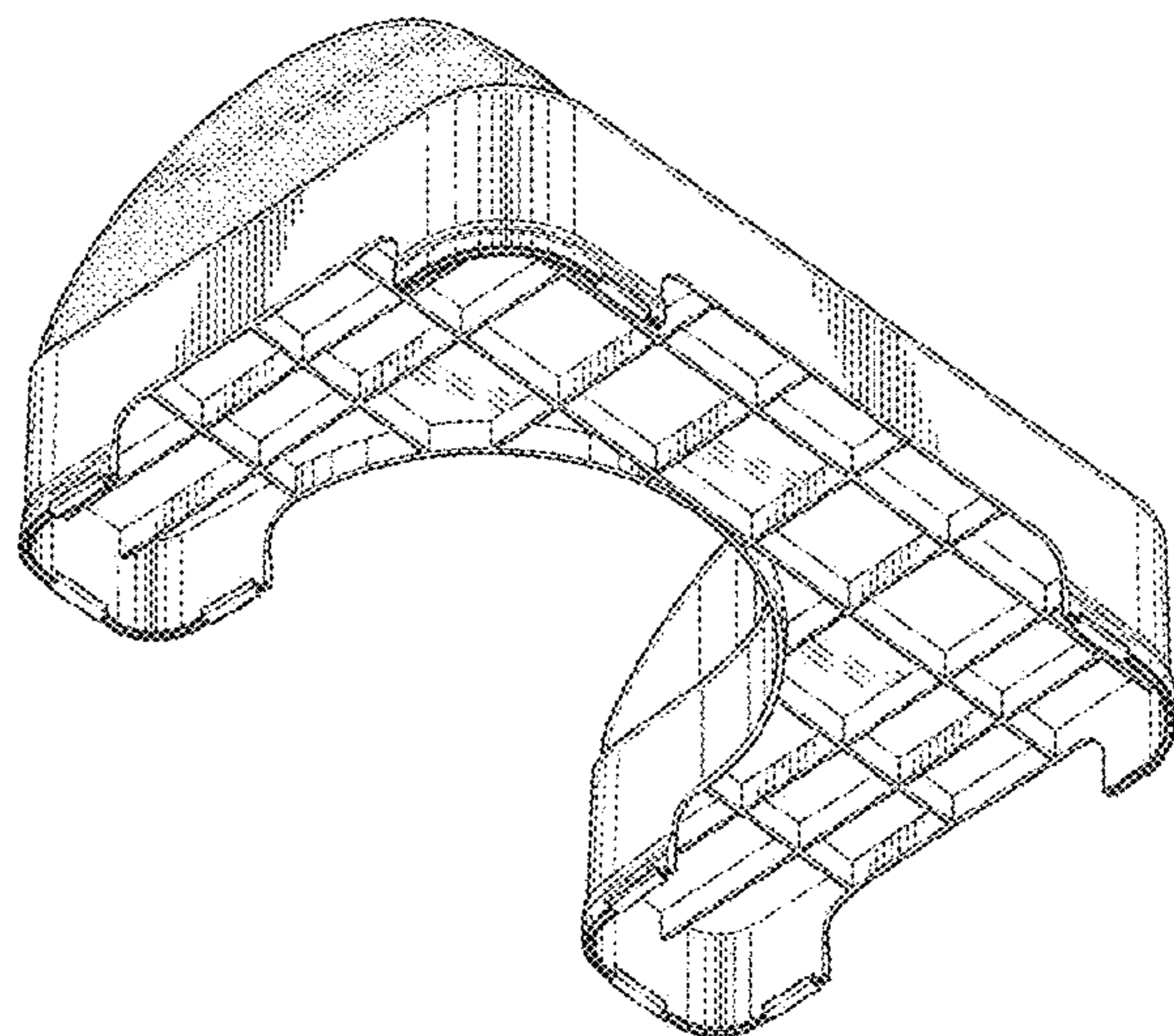
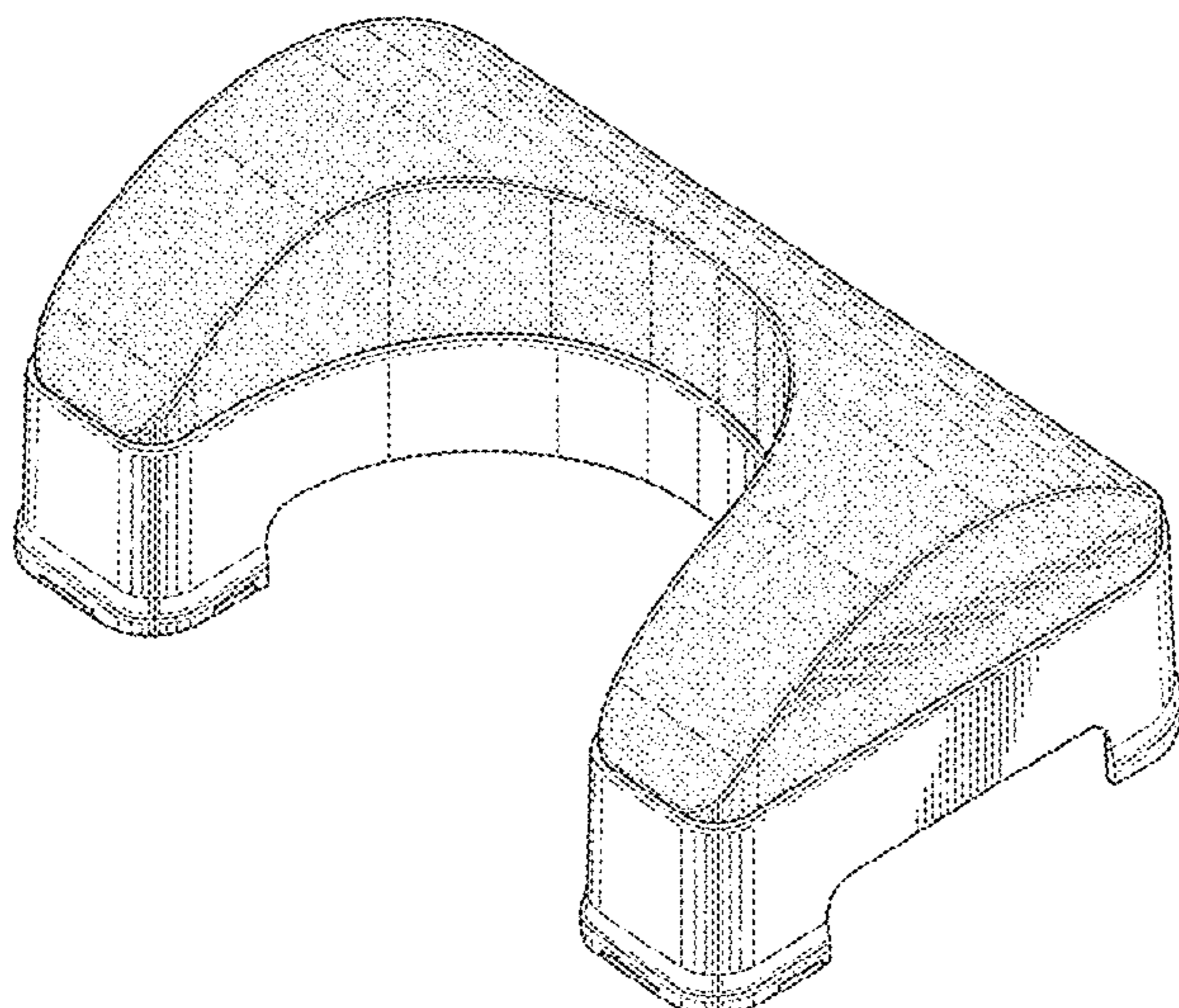
FIG. 5 is a front perspective view of a footstool with arched foam top;

FIG. 6 is a back perspective view of a footstool with arched foam top;

FIG. 7 is a right side perspective view of a footstool with arched foam top; and,

FIG. 8 is a left side perspective view of a footstool with arched foam top.

1 Claim, 6 Drawing Sheets



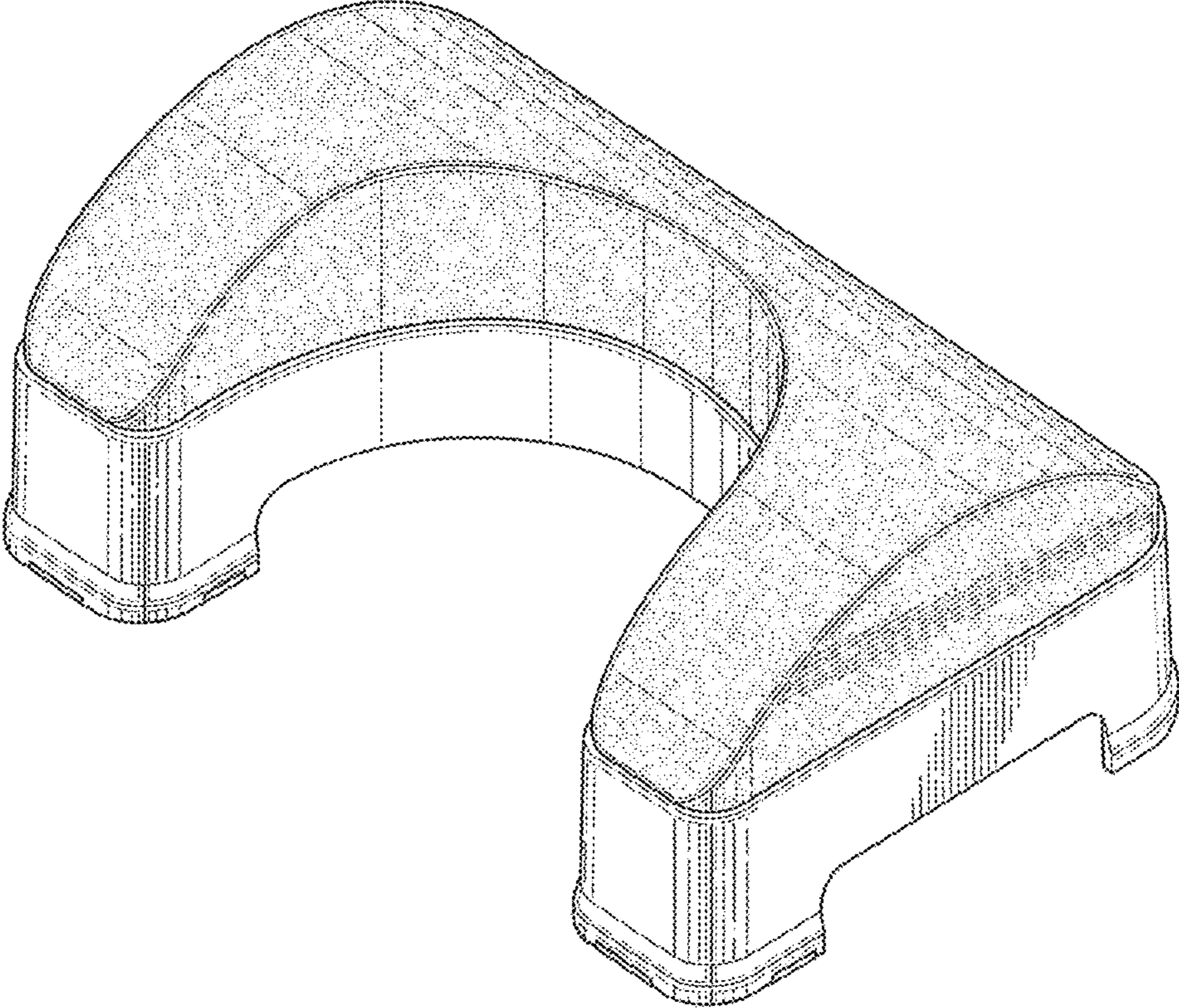


FIG. 1

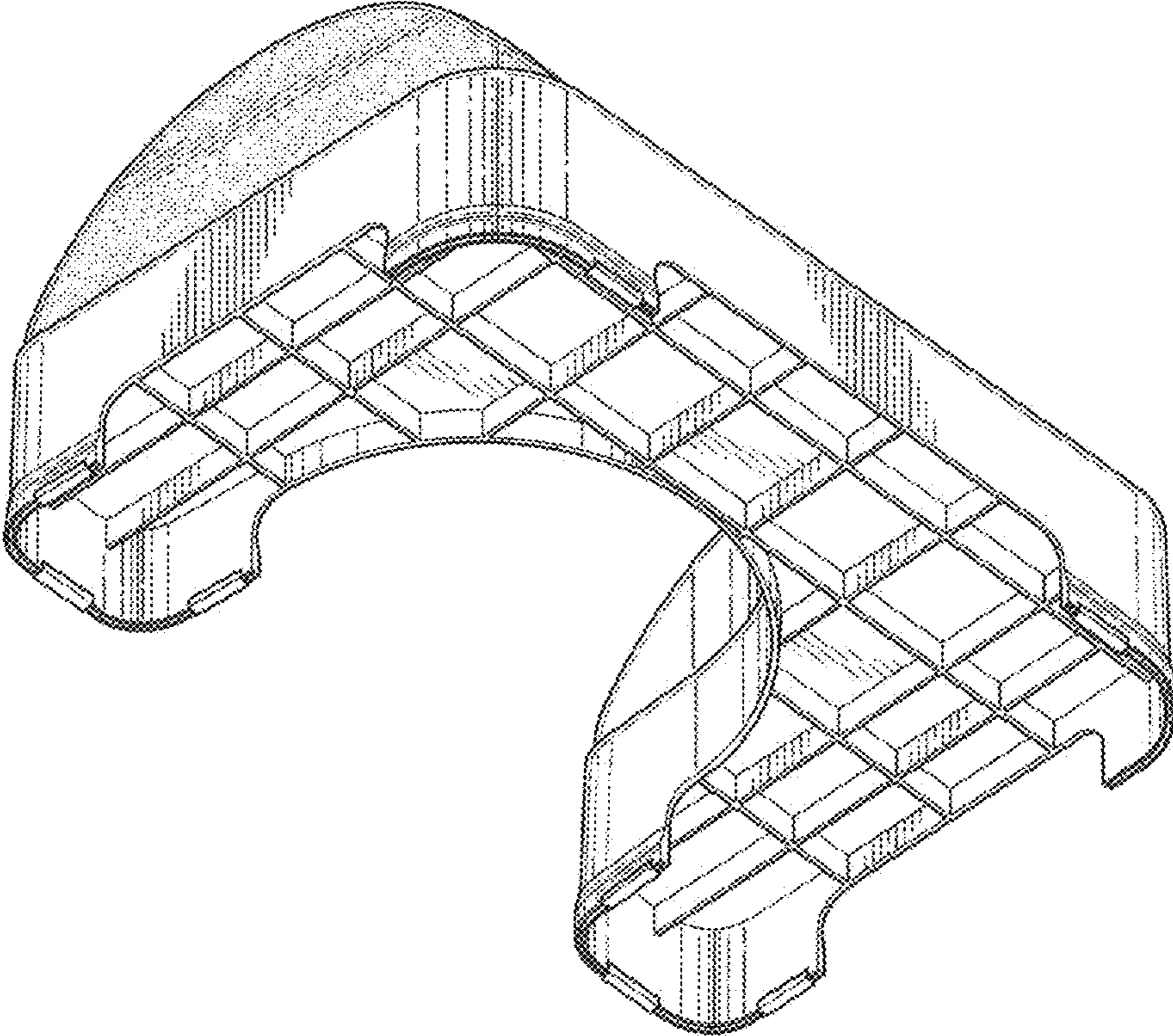


FIG. 2

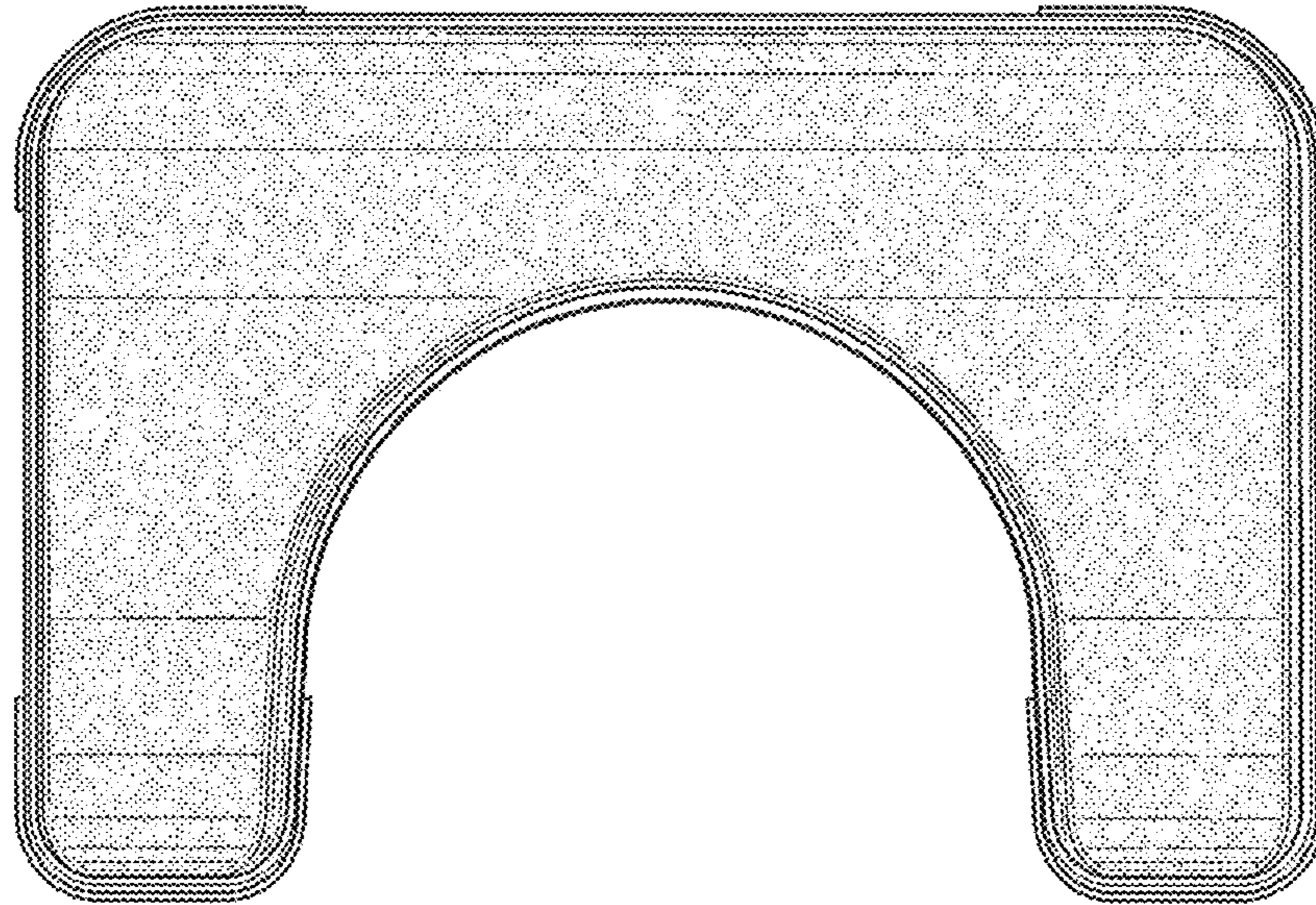


FIG. 3

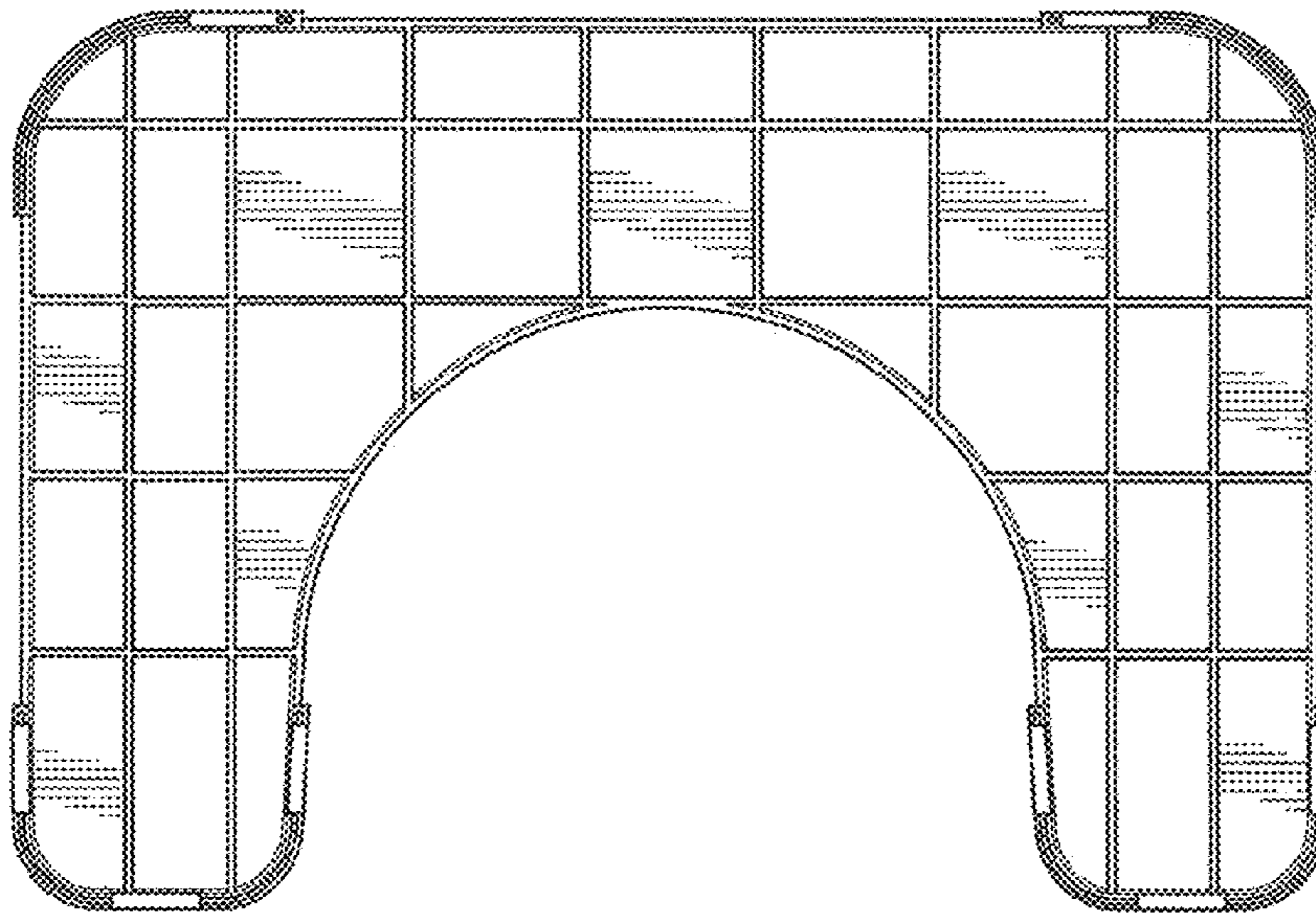


FIG. 4

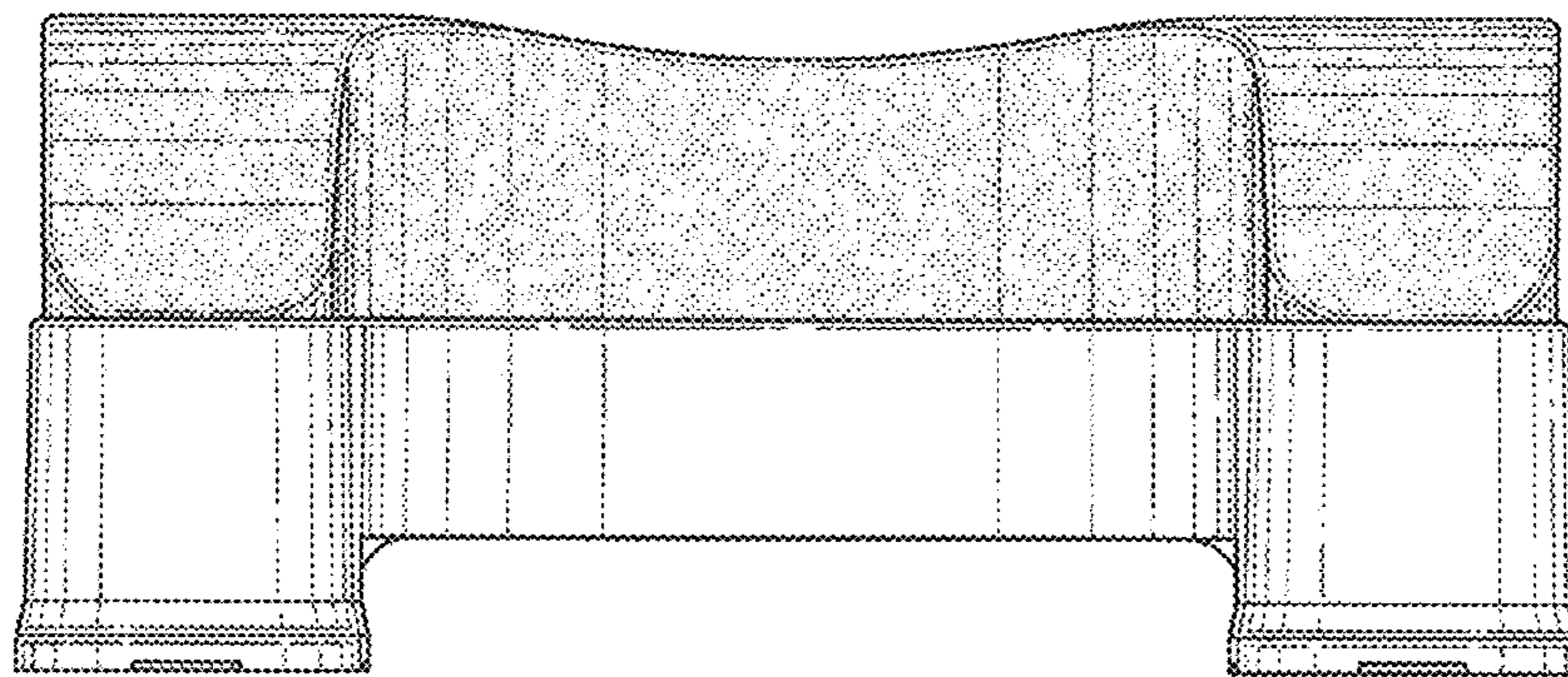


FIG. 5

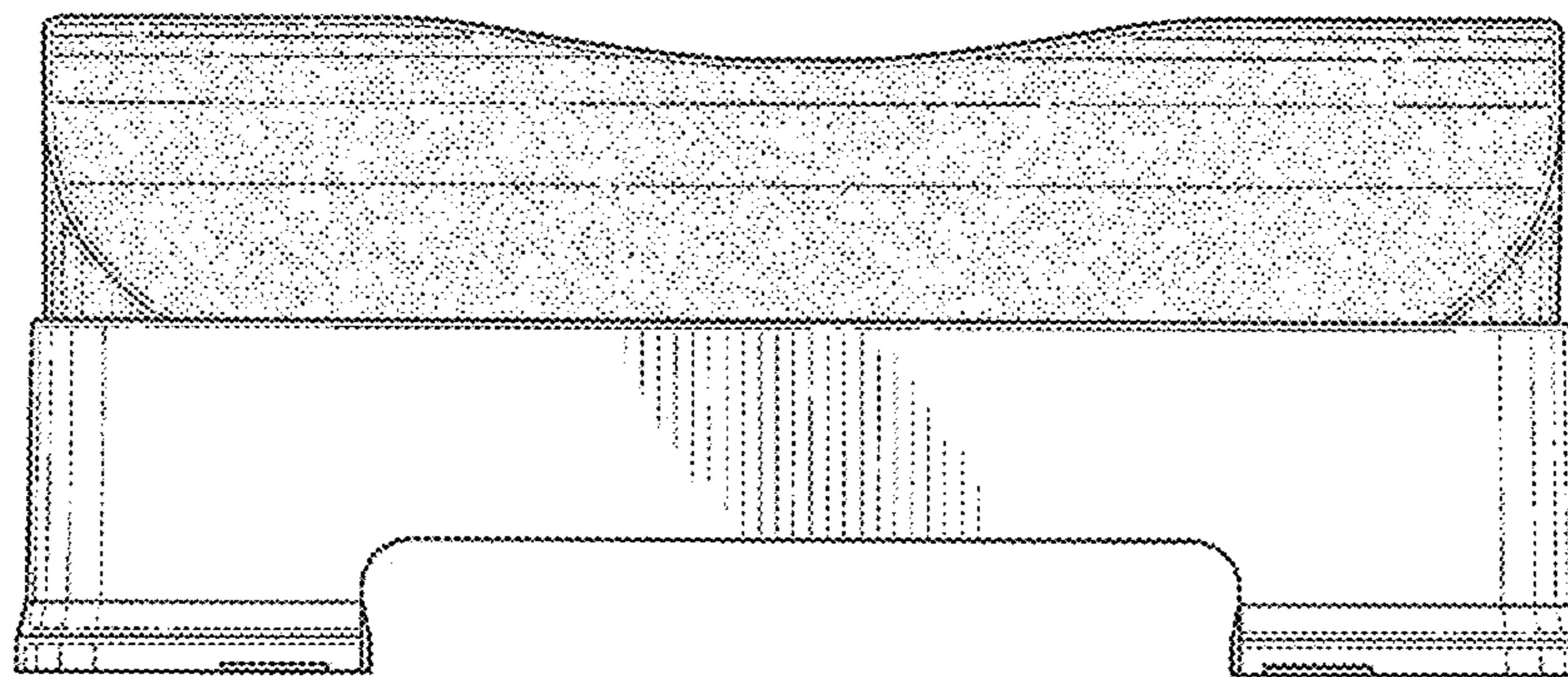


FIG. 6

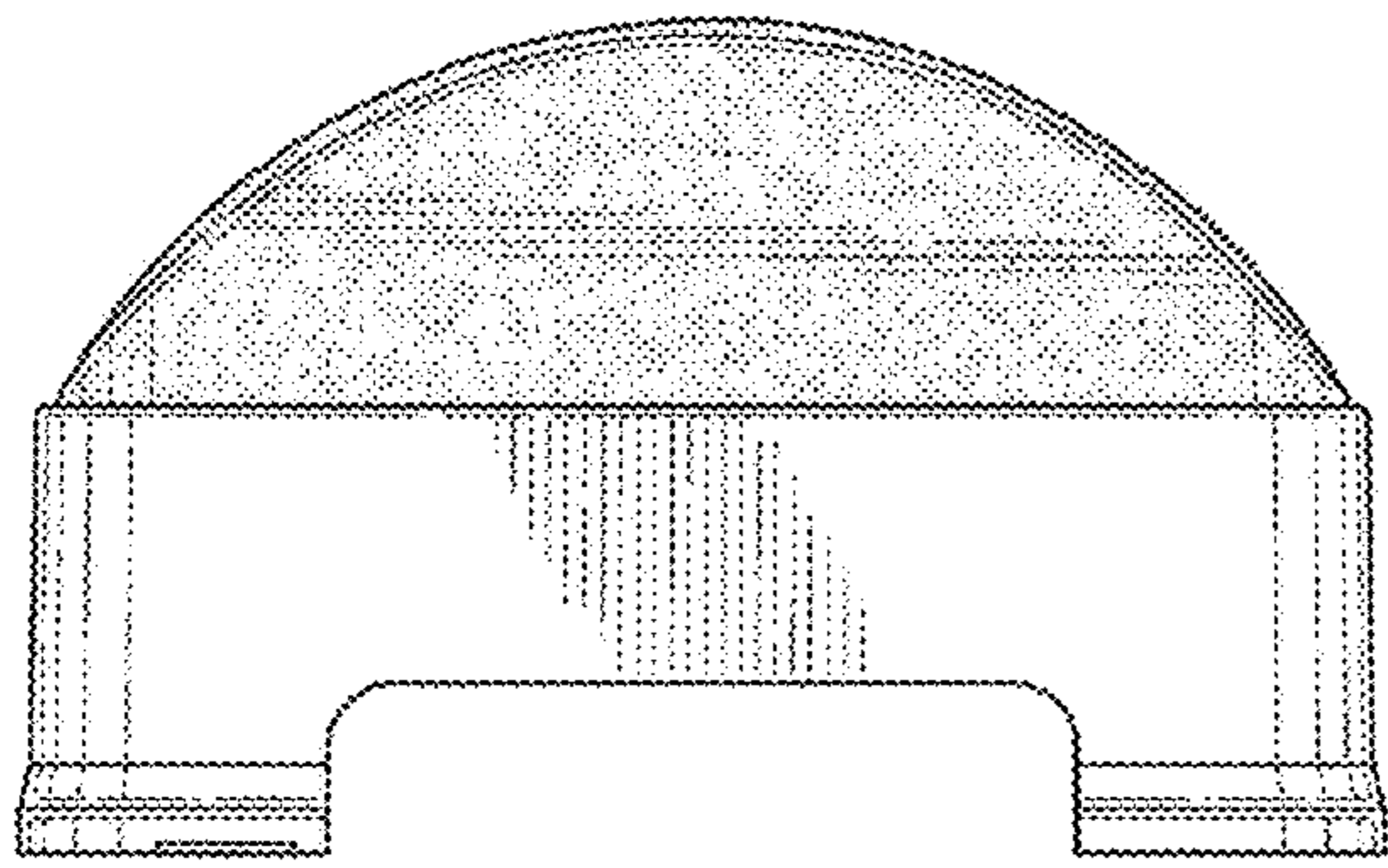


FIG. 7

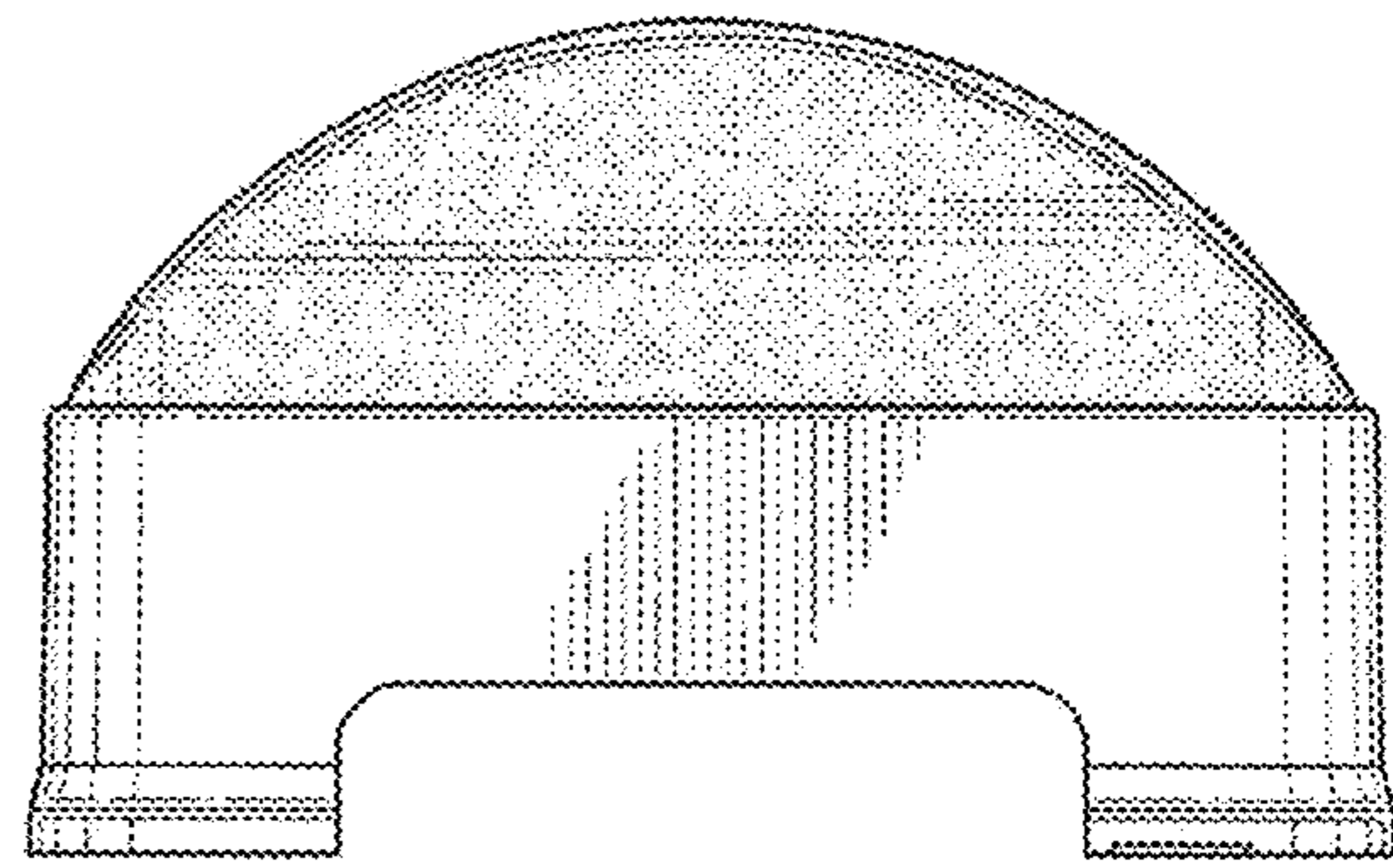


FIG. 8