



US00D873037S

(12) **United States Design Patent**  
**Warren**

(10) **Patent No.:** **US D873,037 S**  
(45) **Date of Patent:** **\*\* Jan. 21, 2020**

- (54) **SIDE SIZER FOR GARMENT HANGER**
- (71) Applicant: **BRAIFORM (HK) LTD.**, Kwun Tong (HK)
- (72) Inventor: **Michael Warren**, Bishops Stortford (GB)
- (73) Assignee: **BRAIFORM (HK) LTD.**, Kwun Tong (HK)
- (\*\*) Term: **15 Years**
- (21) Appl. No.: **29/618,859**
- (22) Filed: **Sep. 25, 2017**
- (51) **LOC (12) Cl.** ..... **06-08**
- (52) **U.S. Cl.**  
USPC ..... **D6/328**
- (58) **Field of Classification Search**  
USPC ..... D6/315-328, 515, 518, 524, 525, 528, D6/534, 535, 536, 542; D9/430, 431; D19/75, 77, 81, 86, 90, 102  
CPC ..... A47G 25/32; A47G 25/743; A47G 25/36; A47G 25/1407; A47G 25/06; A47G 25/38; A47G 25/1414; A47G 25/0607; A47G 25/186; A47F 5/0006; A47F 7/19; A47F 7/24; Y10T 24/51; Y10T 24/3449  
See application file for complete search history.

(56) **References Cited**

**U.S. PATENT DOCUMENTS**

3,259,153	A *	7/1966	Haase	.....	B65D 11/10 141/110
6,264,075	B1	7/2001	Gouldson et al.		
6,564,980	B2	5/2003	Gouldson et al.		
D510,198	S *	10/2005	Willardson	.....	D6/328
D528,807	S *	9/2006	Mainetti	.....	D6/328
D552,361	S *	10/2007	Goldman	.....	D6/328
D583,575	S *	12/2008	Goldman	.....	D6/328
7,516,875	B2	4/2009	Gouldson		

D605,415	S *	12/2009	Zuckerman	.....	D6/328
D619,815	S *	7/2010	Warren	.....	D6/315
D625,114	S *	10/2010	Gouldson	.....	D6/328
7,905,376	B2 *	3/2011	Gouldson	.....	A47G 25/1428 223/85
7,922,047	B2	4/2011	Gouldson		
8,141,756	B2 *	3/2012	Mainetti	.....	A47G 25/1421 223/85
D658,901	S *	5/2012	Yau	.....	D6/328
8,281,965	B2 *	10/2012	Chan	.....	A47G 25/1428 223/85
9,420,910	B2 *	8/2016	Yau	.....	A47G 25/1407
2006/0006204	A1 *	1/2006	Mainetti	.....	A47G 25/1428 223/85
2008/0054029	A1 *	3/2008	Ho	.....	A47G 25/1428 223/88
2009/0277933	A1 *	11/2009	Goldman	.....	G09F 3/04 223/85
2010/0237109	A1 *	9/2010	Gouldson	.....	A47G 25/486 223/85

(Continued)

*Primary Examiner* — Lauren R Calve  
(74) *Attorney, Agent, or Firm* — Scully Scott Murphy and Presser

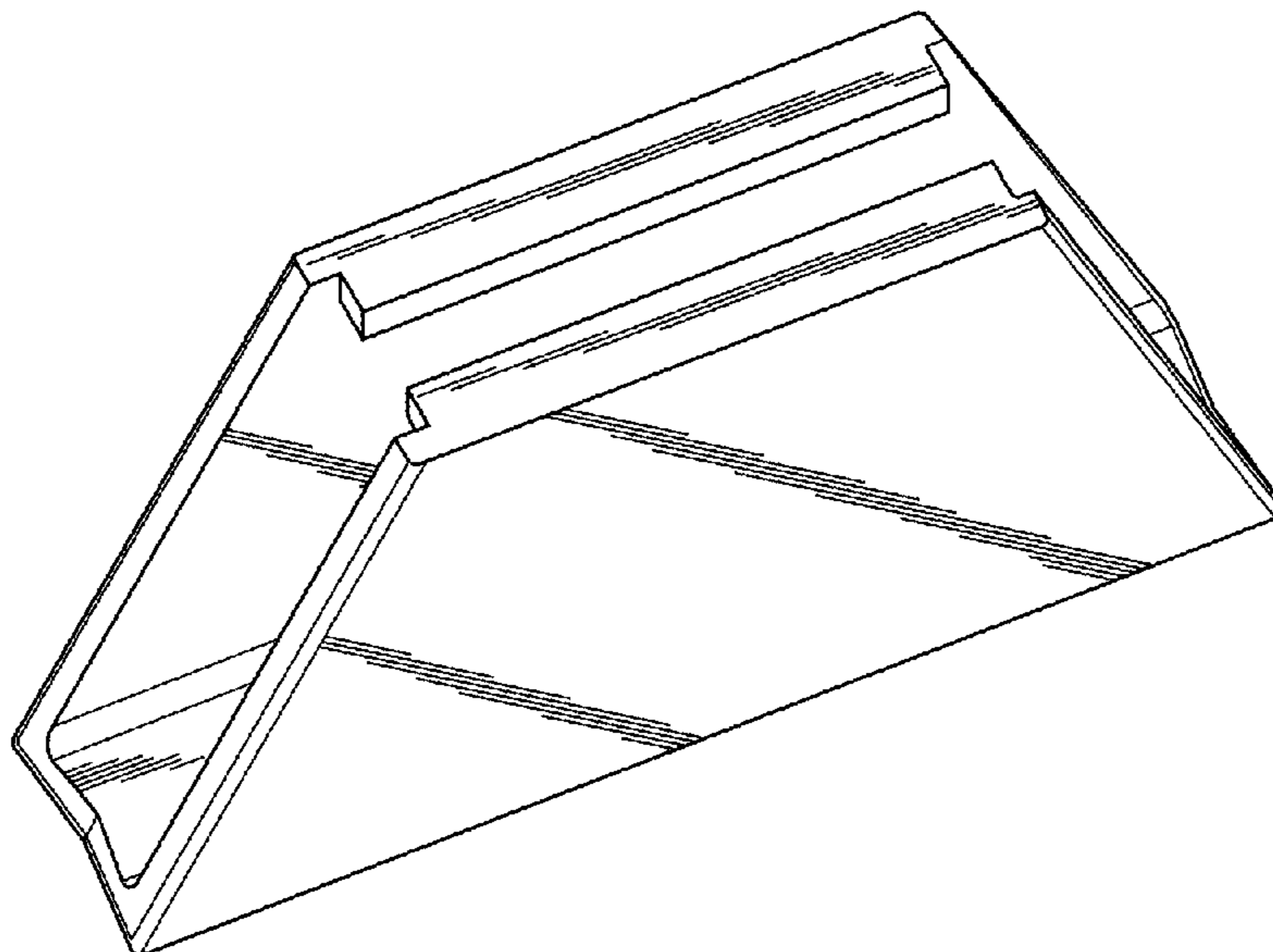
(57) **CLAIM**

The ornamental design for a side sizer for garment hanger, as shown.

**DESCRIPTION**

FIG. 1 is a perspective view of a side sizer for garment hanger showing my new design; FIG. 2 is an alternative perspective view of FIG. 1; FIG. 3 is another alternative perspective view of FIG. 1; FIG. 4 is a front elevation view of FIG. 1; FIG. 5 is a rear elevation view of FIG. 1; FIG. 6 is a side elevation view of FIG. 1, the opposite side elevation view being a mirror image thereof; FIG. 7 is a top plan view of FIG. 1; and, FIG. 8 is a bottom plan view of FIG. 1.

**1 Claim, 4 Drawing Sheets**



(56)

**References Cited**

U.S. PATENT DOCUMENTS

2013/0270309 A1 \* 10/2013 Mainetti ..... A47G 25/1435  
223/85

\* cited by examiner

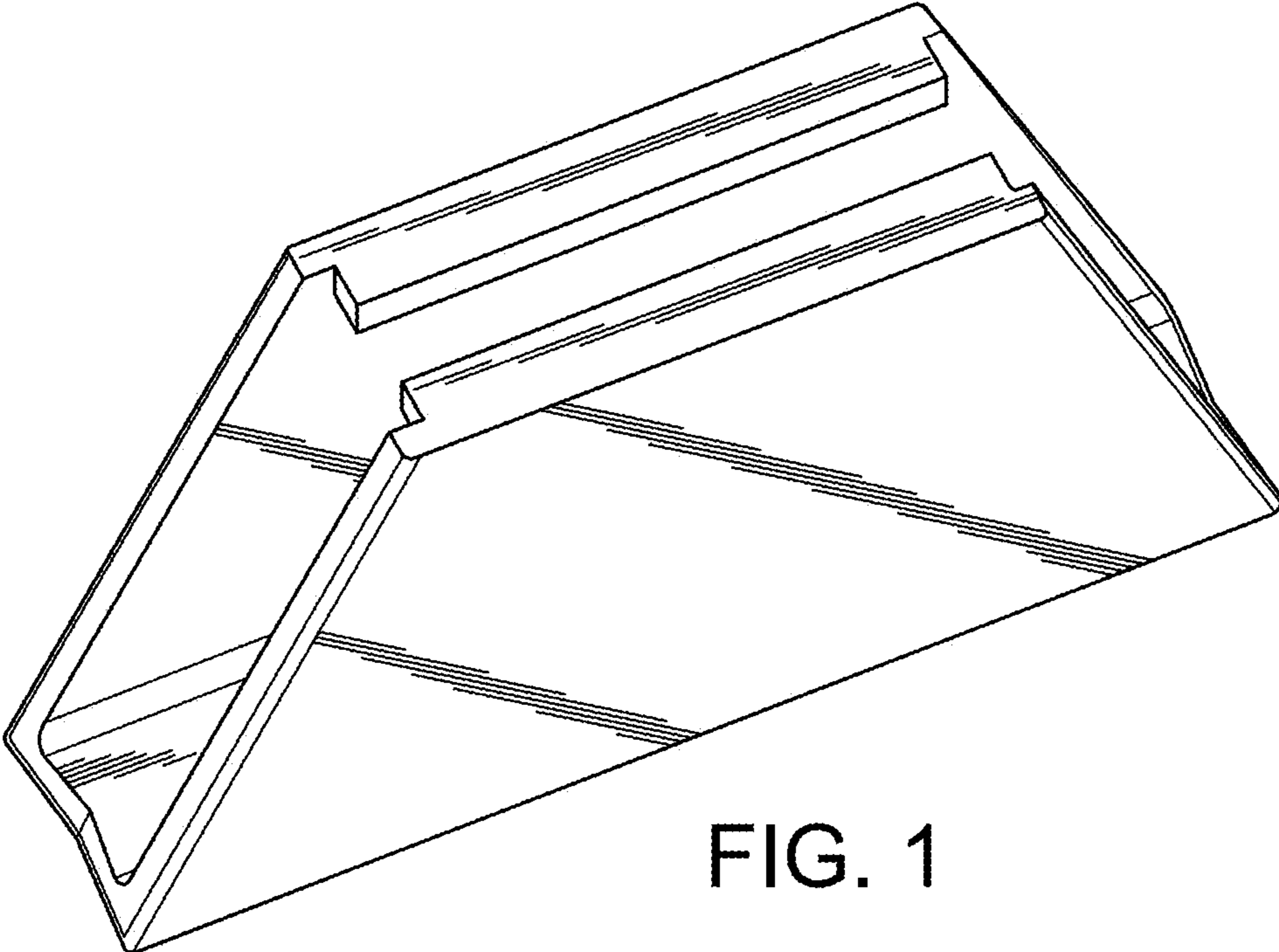


FIG. 1

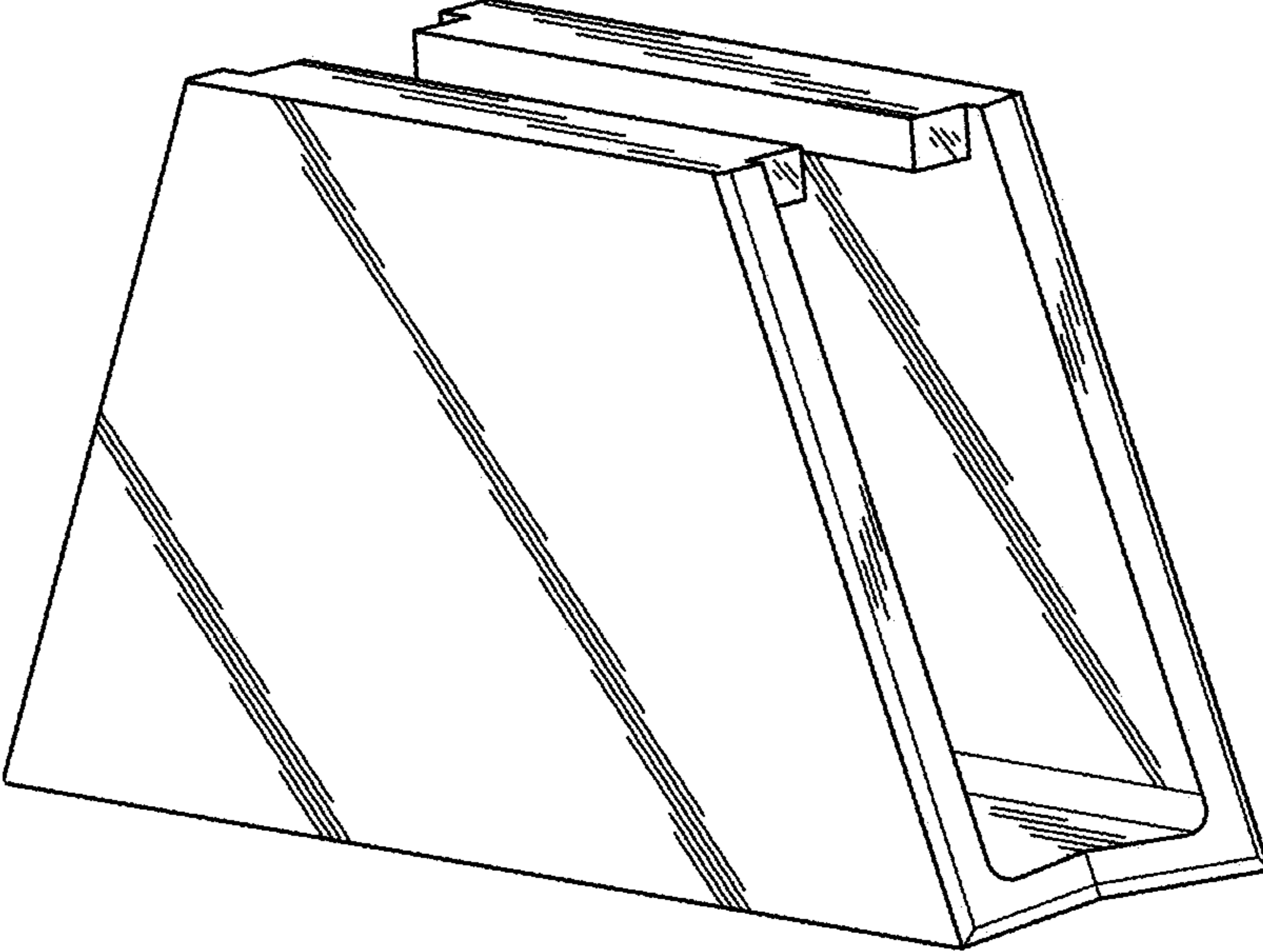


FIG. 2

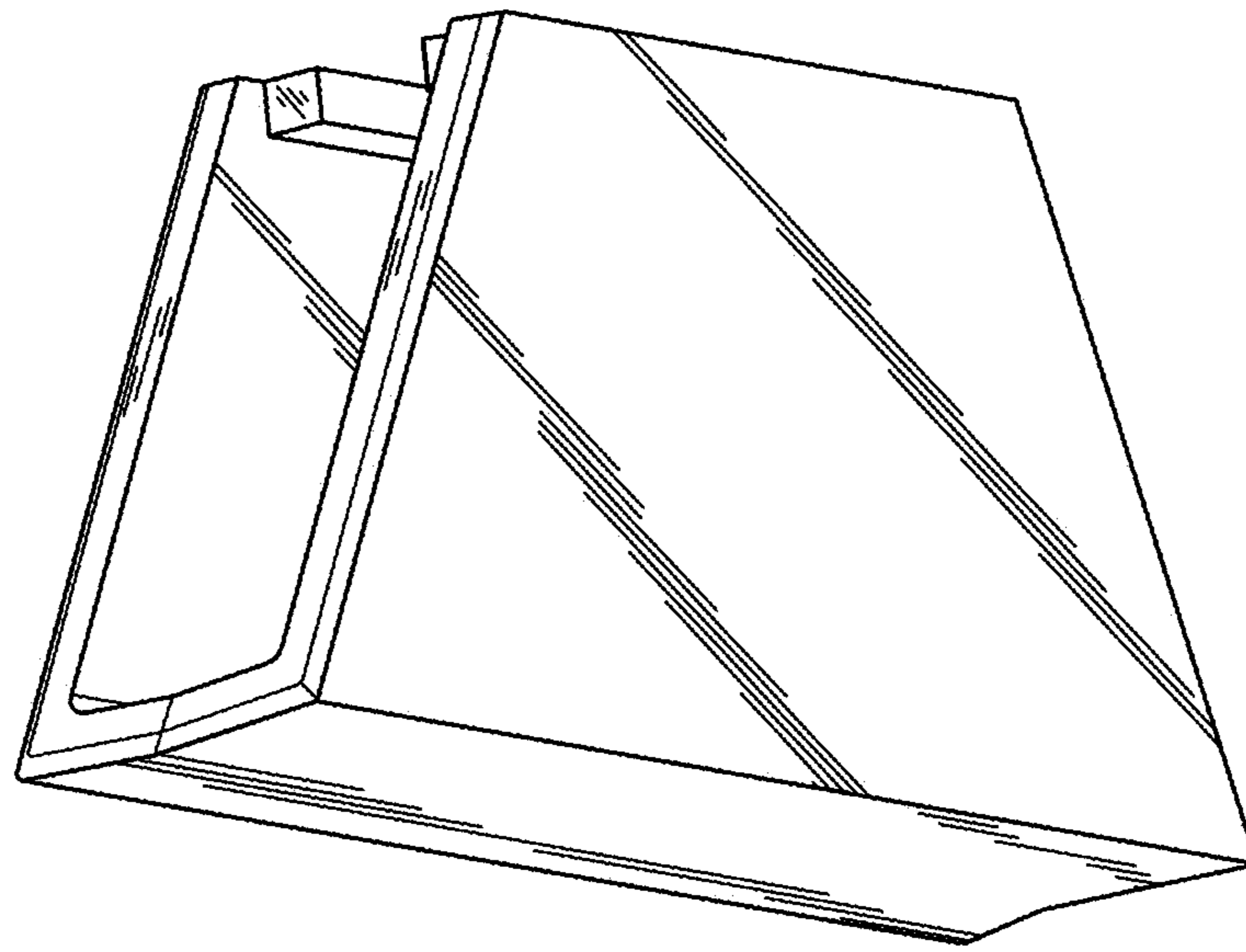


FIG. 3

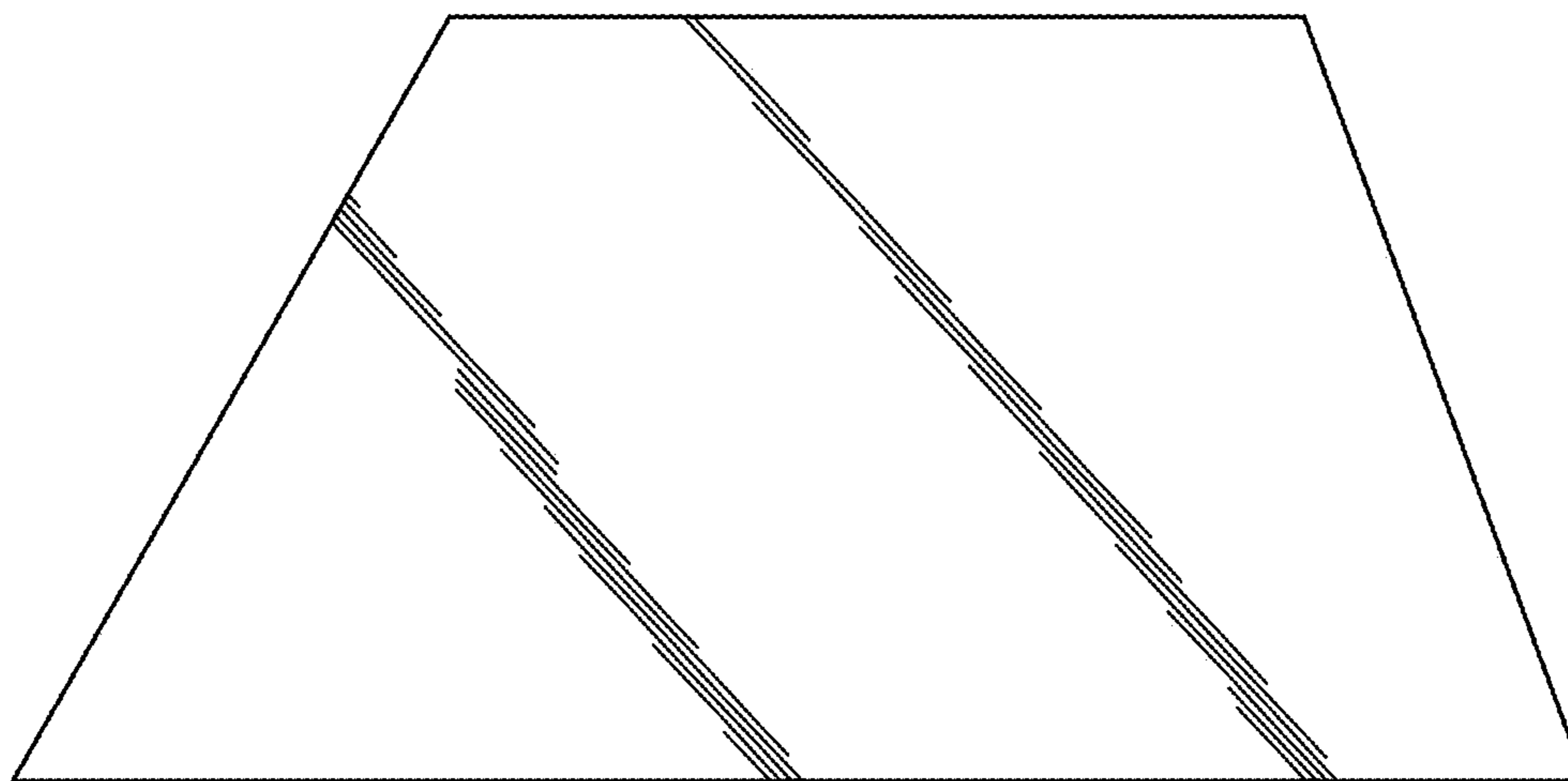


FIG. 4

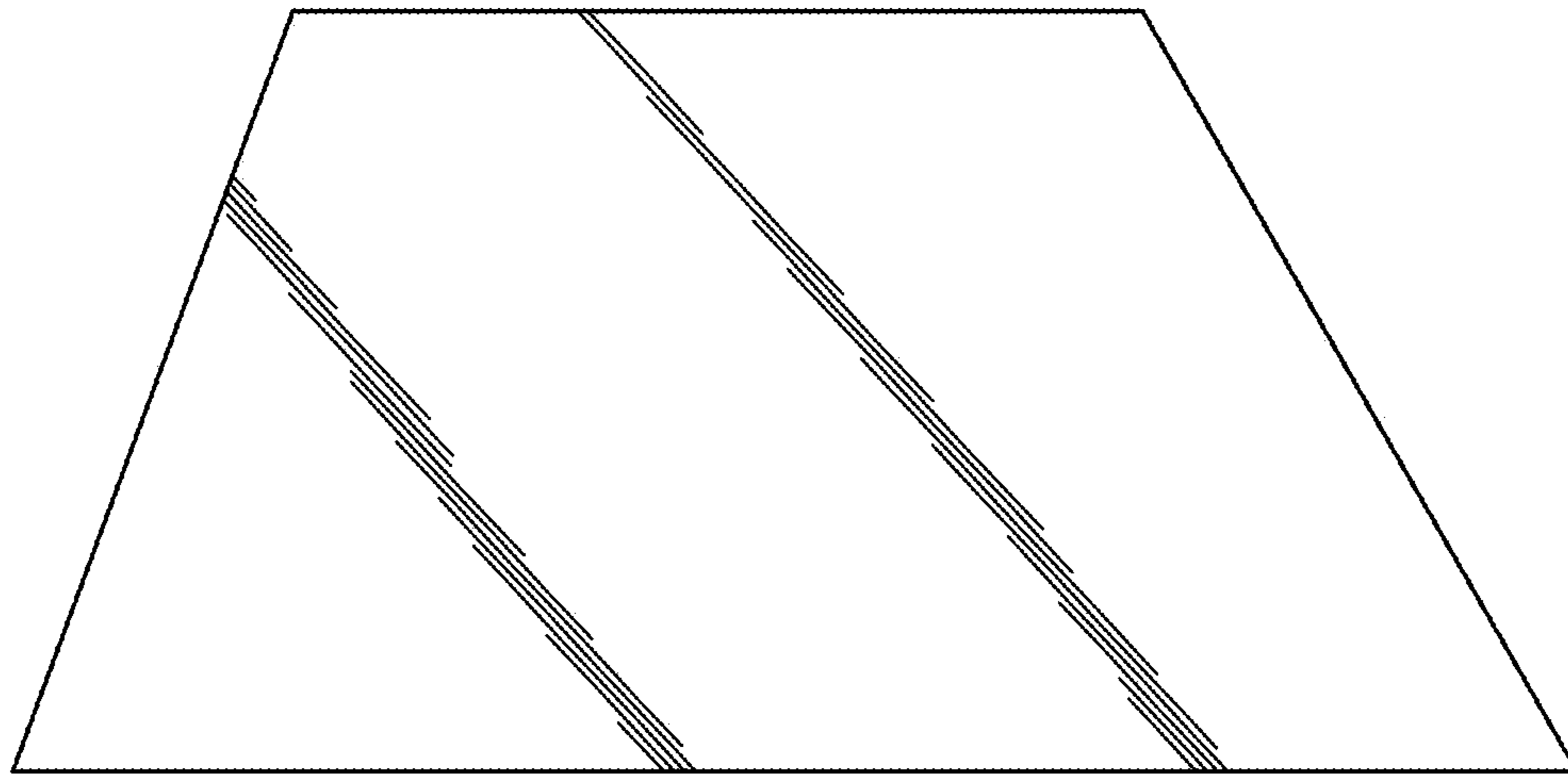


FIG. 5

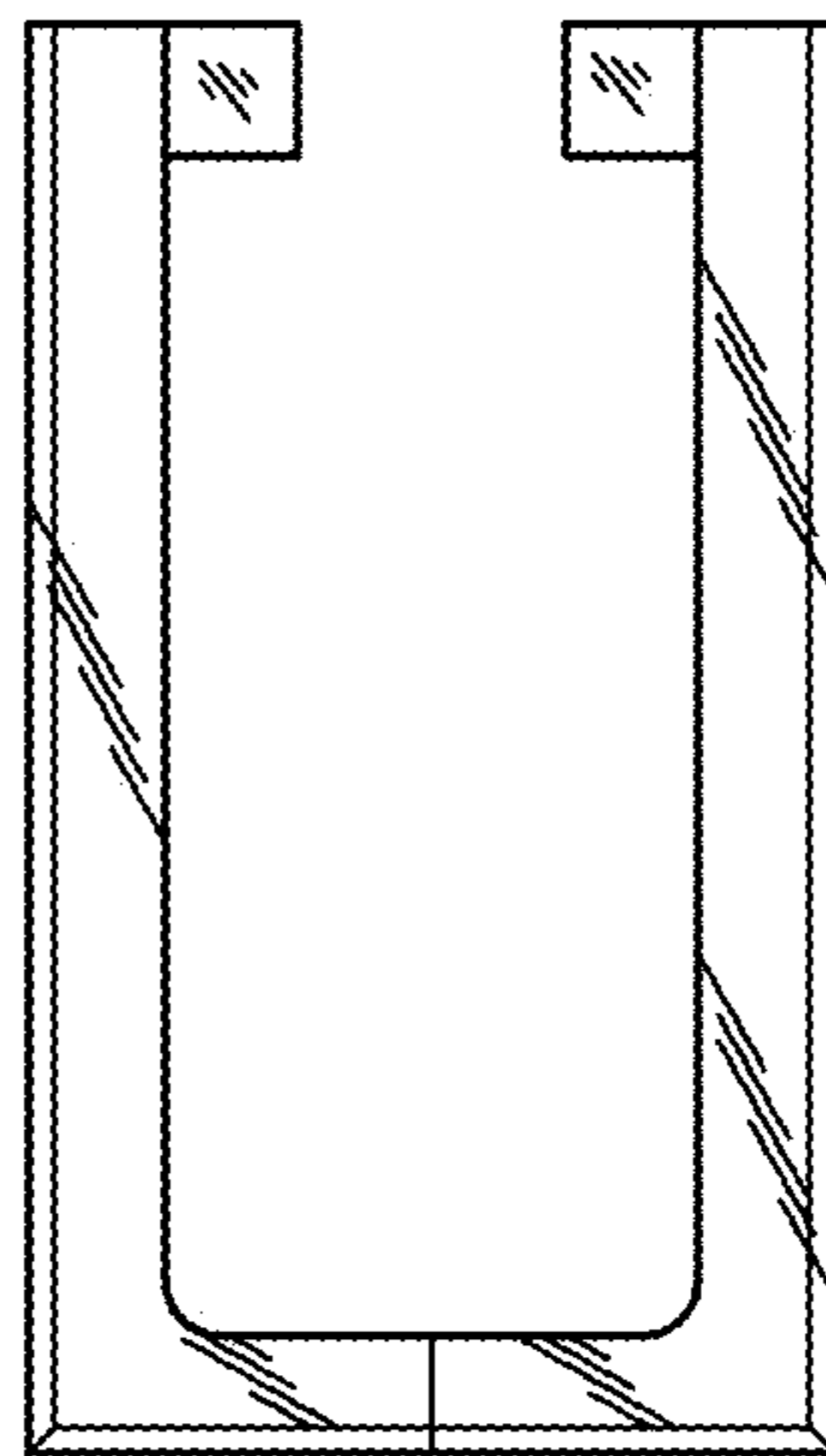


FIG. 6



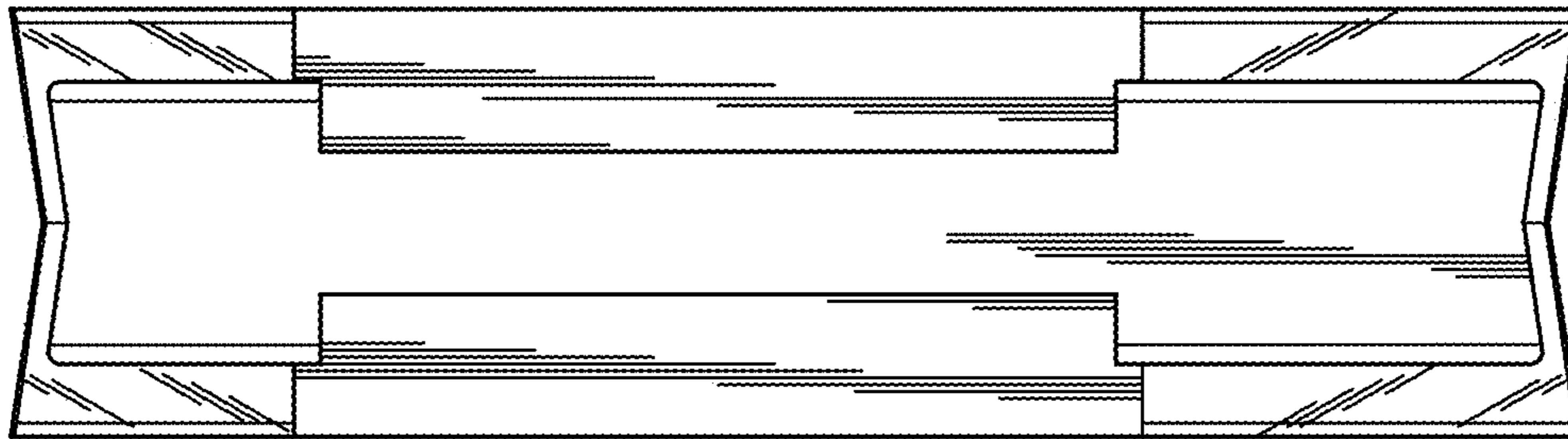


FIG. 7

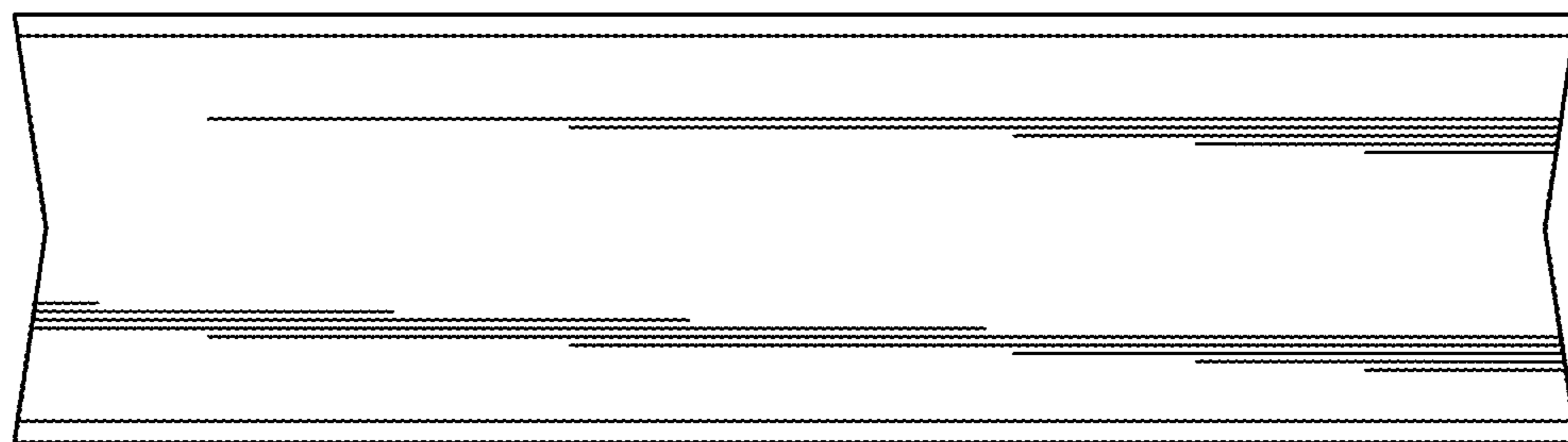


FIG. 8