



US00D873034S

(12) **United States Design Patent** (10) **Patent No.:** **US D873,034 S**  
**Boehm** (45) **Date of Patent:** **\*\* Jan. 21, 2020**

(54) **VANITY MIRROR**

OTHER PUBLICATIONS

(71) Applicant: **Glen Robert Boehm**, New York, NY (US)

Simplehuman Sensor Mirror Trio, <https://www.simplehuman.com/sensor-mirrors/round/trio>, available at least as of Aug. 10, 2018.

(Continued)

(72) Inventor: **Glen Robert Boehm**, New York, NY (US)

*Primary Examiner* — Deanna L Pratt

(74) *Attorney, Agent, or Firm* — Paul, Weiss, Rifkind, Wharton & Garrison LLP; Michael Milea

(\*\*) Term: **15 Years**

(21) Appl. No.: **29/661,199**

(57) **CLAIM**

The ornamental design for a vanity mirror, as shown and described.

(22) Filed: **Aug. 24, 2018**

(51) **LOC (12) Cl.** ..... **06-06**

**DESCRIPTION**

(52) **U.S. Cl.**

USPC ..... **D6/309; D6/312**

(58) **Field of Classification Search**

USPC ..... **D6/300–314**

CPC ... **A47G 1/00; A47G 1/02; A47G 1/06; A47G 1/0616; A47G 1/14; A47G 1/141; A47G 2001/002; A45D 42/10; A45D 42/00; A45D 42/08; A45D 42/14; A45D 42/16; F21V 33/004**

See application file for complete search history.

FIG. 1 is a front view of a vanity mirror according to the present invention;

FIG. 2 is a front perspective view thereof;

FIG. 3 is a rear view thereof;

FIG. 4 is a rear perspective view thereof;

FIG. 5 is a side view thereof;

FIG. 6 is a front view thereof;

FIG. 7 is a front perspective view thereof;

FIG. 8 is a rear perspective view thereof;

FIG. 9 is a front perspective view thereof;

FIG. 10 is a rear perspective view thereof;

FIG. 11 is a front view thereof;

FIG. 12 is a front view thereof;

FIG. 13 is a bottom perspective view thereof;

FIG. 14 is a bottom perspective view thereof;

FIG. 15 is a front perspective view thereof;

FIG. 16 is a front perspective view thereof;

FIG. 17 is a front view thereof;

FIG. 18 is a front perspective view thereof;

FIG. 19 is a front perspective view thereof;

FIG. 20 is a rear perspective view thereof; and,

FIG. 21 is a side view thereof.

The features shown in broken lines illustrate environment and form no part of the claimed design.

(56) **References Cited**

U.S. PATENT DOCUMENTS

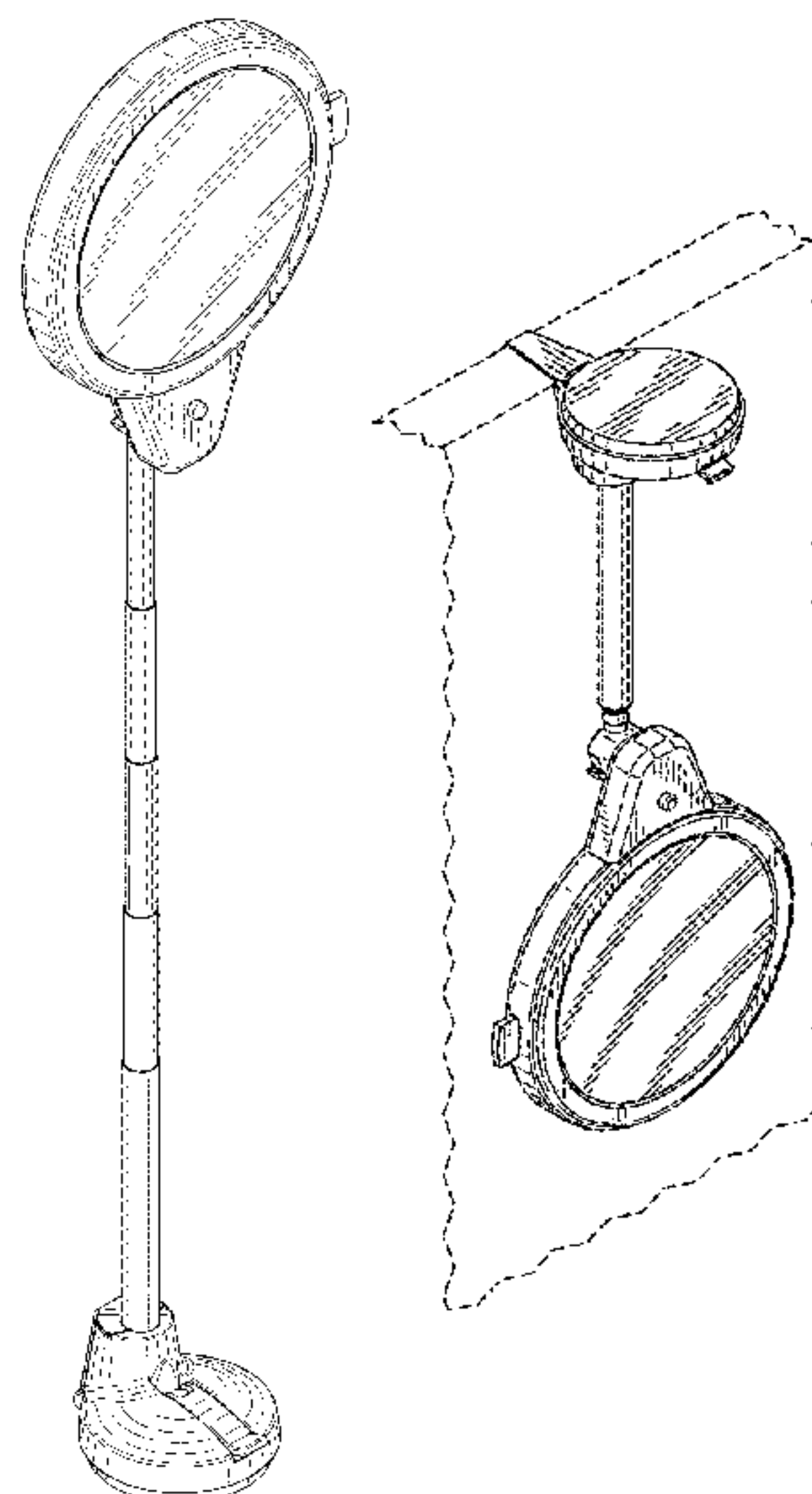
2,146,859	A	2/1939	Seklehner	
D159,100	S *	6/1950	Ryder	D6/309
2,880,651	A	4/1959	Fenyo	
3,392,950	A	7/1968	Pierce	
D216,414	S *	12/1969	Hanson	D6/308
3,781,093	A	12/1973	Gabijas	
D298,087	S *	10/1988	Arce	D6/300
D298,183	S *	10/1988	Bruse	D6/300
4,856,888	A	8/1989	Wahl	

(Continued)

FOREIGN PATENT DOCUMENTS

CN	203987192	12/2014
CN	204146740	2/2015

**1 Claim, 18 Drawing Sheets**



(56)

## References Cited

## U.S. PATENT DOCUMENTS

- D307,678 S \* 5/1990 Lookerse ..... D6/312  
D309,833 S \* 8/1990 Wahl ..... D6/300  
D310,584 S \* 9/1990 Cadet ..... D28/64.1  
D316,635 S \* 5/1991 Smith ..... D6/309  
5,411,230 A 5/1995 Messinger  
6,130,790 A 10/2000 Tu  
D438,389 S \* 3/2001 Ross ..... D6/312  
D444,634 S \* 7/2001 Dodson ..... D6/312  
6,398,378 B1 6/2002 Shieh  
6,840,639 B2 1/2005 Zadro  
6,854,852 B1 2/2005 Zadro  
D505,555 S 5/2005 Snell  
D508,883 S \* 8/2005 Falconer ..... D12/189  
D512,841 S \* 12/2005 Dirks ..... D6/300  
D532,981 S 12/2006 Zadro  
D547,555 S \* 7/2007 Lo ..... D6/312  
D563,679 S \* 3/2008 Vidmar ..... D6/309  
7,341,356 B1 3/2008 Zadro  
D574,159 S \* 8/2008 Howard ..... D6/310  
7,562,980 B2 7/2009 Rymniak  
7,635,111 B2 12/2009 Hara et al.  
8,162,502 B1 4/2012 Zadro  
D670,087 S \* 11/2012 Walker ..... D6/309  
8,348,216 B2 1/2013 Hajianpour  
8,356,908 B1 1/2013 Zadro  
8,556,447 B2 10/2013 Griggs  
8,584,997 B2 11/2013 Hajianpour  
D701,050 S 3/2014 Yang et al.  
D713,056 S \* 9/2014 Gulick ..... D25/68  
D727,630 S 4/2015 Zadro  
D736,001 S 8/2015 Yang et al.  
9,170,353 B2 10/2015 Chang  
D751,829 S 3/2016 Yang et al.  
D754,446 S 4/2016 Yang et al.  
9,347,660 B1 5/2016 Zadro  
9,611,990 B2 4/2017 Ellis  
D785,345 S 5/2017 Yang et al.  
9,638,410 B2 5/2017 Yang et al.  
D801,703 S \* 11/2017 Robertson ..... D6/300  
D802,942 S \* 11/2017 Nikolov ..... D6/300  
9,897,306 B2 2/2018 Yang et al.  
D816,350 S 5/2018 Yang et al.  
D824,681 S \* 8/2018 Vaughn ..... D6/309

- D841,342 S \* 2/2019 Melocchi ..... D6/309  
D846,890 S \* 4/2019 Smrstick ..... D6/309  
2004/0233556 A1 11/2004 LaViola  
2010/0296298 A1 11/2010 Martin, Jr.  
2018/0263362 A1 9/2018 Yang et al.

## OTHER PUBLICATIONS

- Simplehuman Sensor Mirror Compact <https://www.simplehuman.com/sensor-mirrors/compact>, available at least as of Aug. 10, 2018.  
Simplehuman Sensor Mirror Pro, <https://www.simplehuman.com/sensor-mirrors/wide-view-pro>, available at least as of Aug. 10, 2018.  
Simplehuman Sensor Mirror, <https://www.simplehuman.com/wall-mount-sensor-mirror>, available at least as of Aug. 10, 2018.  
Simplehuman Sensor Mirror Pro <https://www.simplehuman.com/sensor-mirrors/round/round-pro>, available at least as of Aug. 10, 2018.  
Magnifying mirror intelligent 6x or 10x Twistmirror, <https://www.twistmirror.com/en/twistmirror/47-twistmirror-the-intelligent-magnifying-mirror-6x-or-10x.html>, available at least as of Aug. 10, 2018.  
Belmont Estate Vanity Mirror, <https://www.frontgate.com/belmont-estate-vanity-mirror/731085>, available at least as of Aug. 10, 2018.  
LED Articulating Rechargeable Vanity Mirror, [https://www.frontgate.com/led-articulating-rechargeable-vanity-mirror/1097\\_010](https://www.frontgate.com/led-articulating-rechargeable-vanity-mirror/1097_010), available at least as of Aug. 10, 2018.  
Jerdon 8-Inch Round Lighted Wall Mount Mirror, <https://www.bedbathandbeyond.com/store/product/jerdon-reg-8-inch-round-light-ed-wall-mount-mirror/3311500>, available at least as of Aug. 10, 2018.  
Conair Rose 1x/5x Lighted Vanity Mirror in Gold, <https://www.bedbathandbeyond.com/store/product/conair-reg-rose-1x-5x-lighted-vanity-mirror-in-gold/1062682275>, available at least as of Aug. 10, 2018.  
Conair Fluorescent 1x/10x/15x Fluorescent Mirror with Satin Nickle Finish, <https://www.bedbathandbeyond.com/store/product/conair-reg-fluorescent-1x-10x-15x-fluorescent-mirror-with-satin-nickel-finish/1015960540>, available at least as of Aug. 10, 2018.  
Mirrotek Over the Door Mirror, <https://www.amazon.com/Mirrotek-Over-the-Door-Mirror/dp/B00UL43110>, available at least as of Apr. 4, 2016.

\* cited by examiner

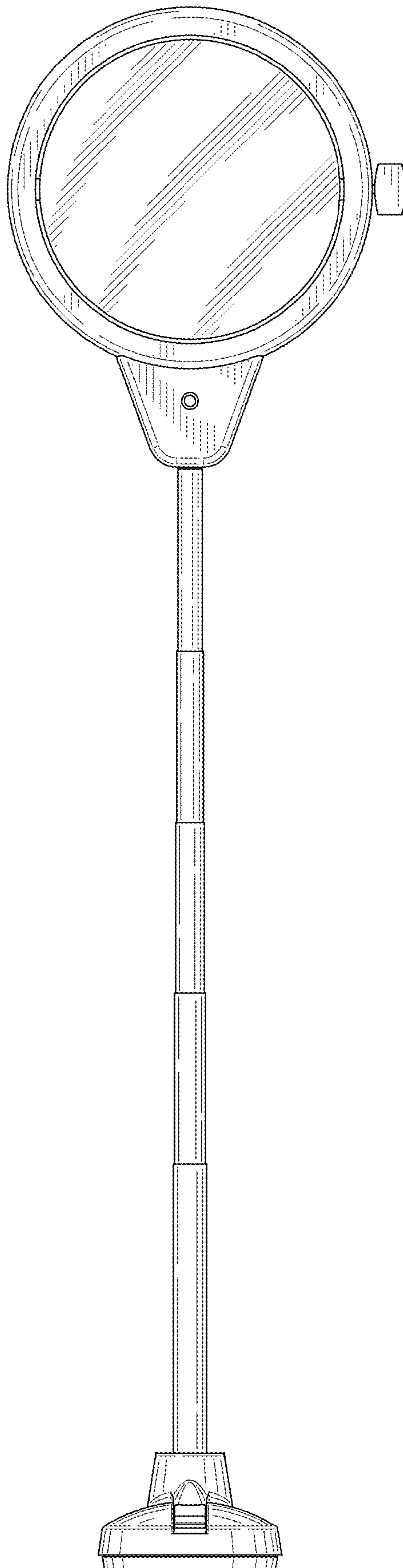


FIG. 1



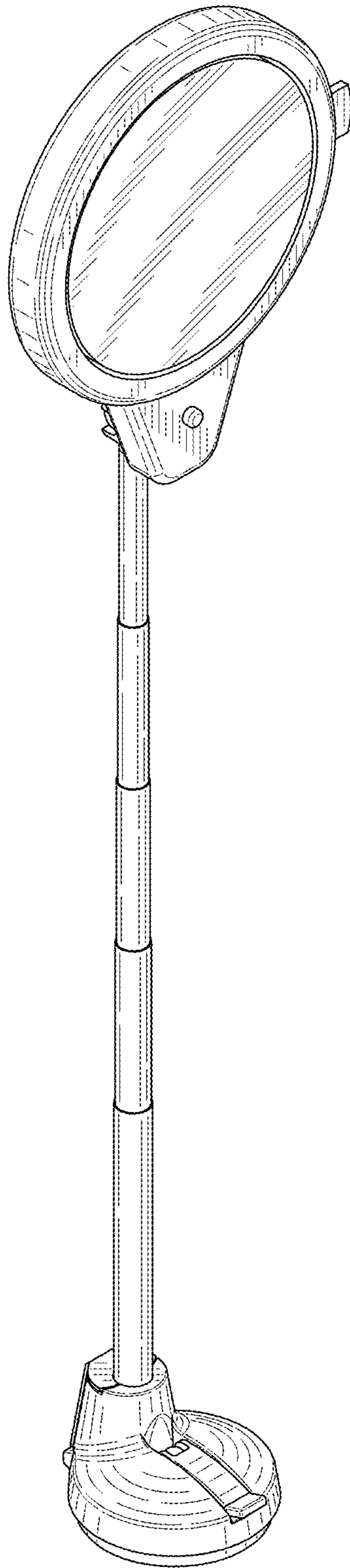


FIG. 2

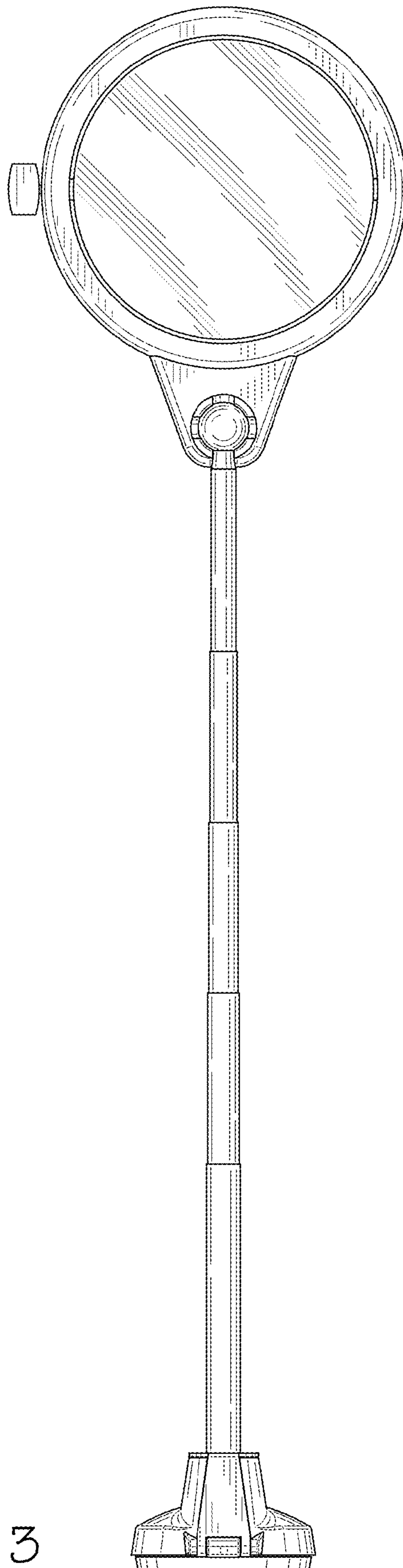


FIG. 3

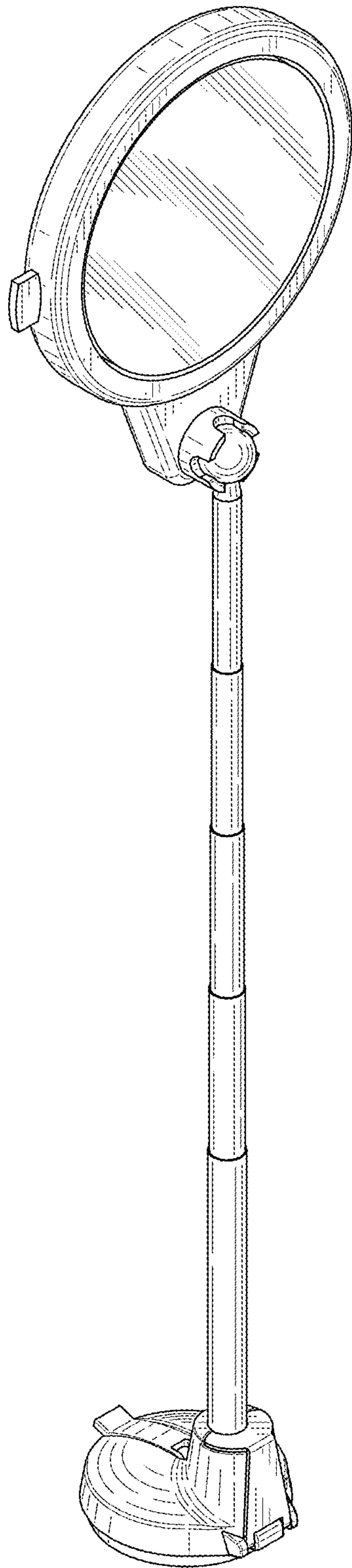


FIG. 4

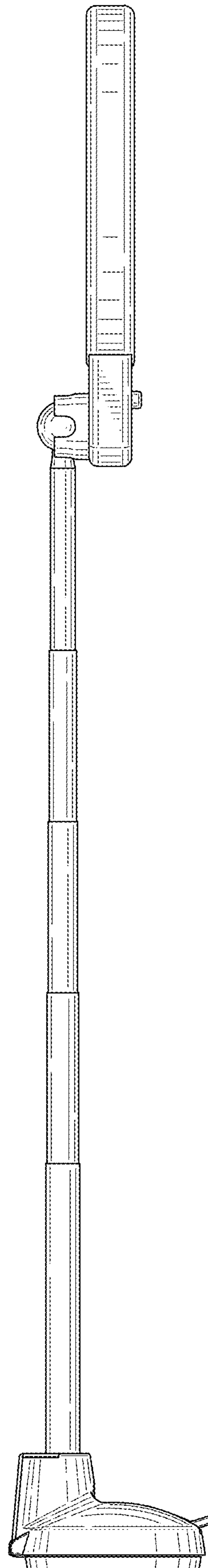


FIG. 5

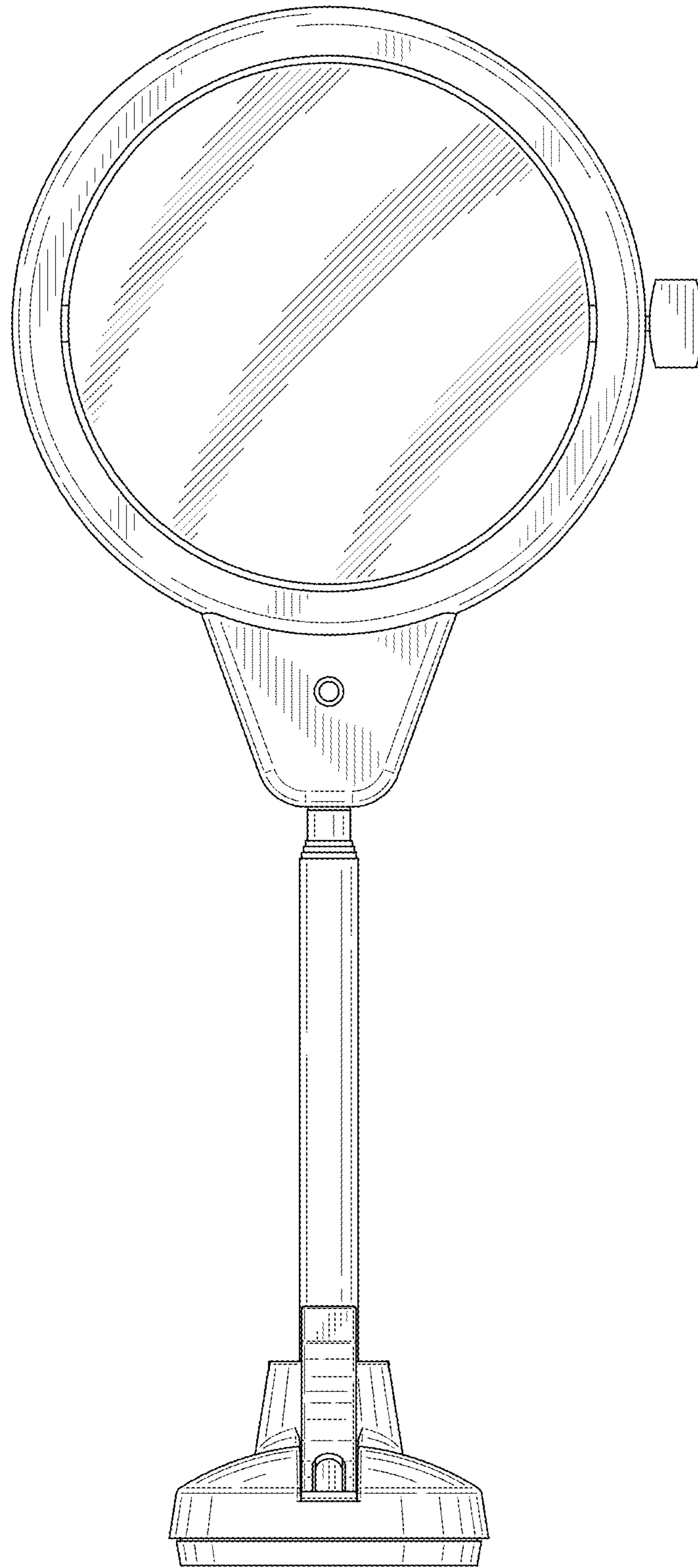


FIG. 6



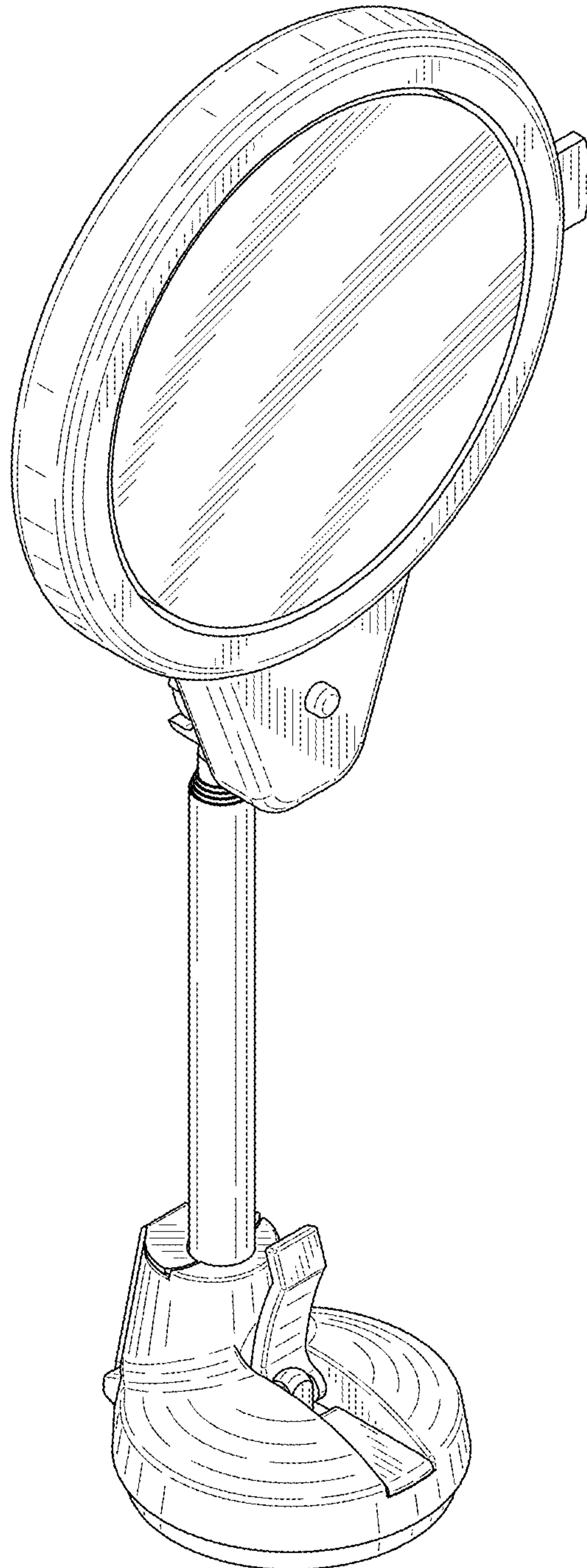


FIG. 7

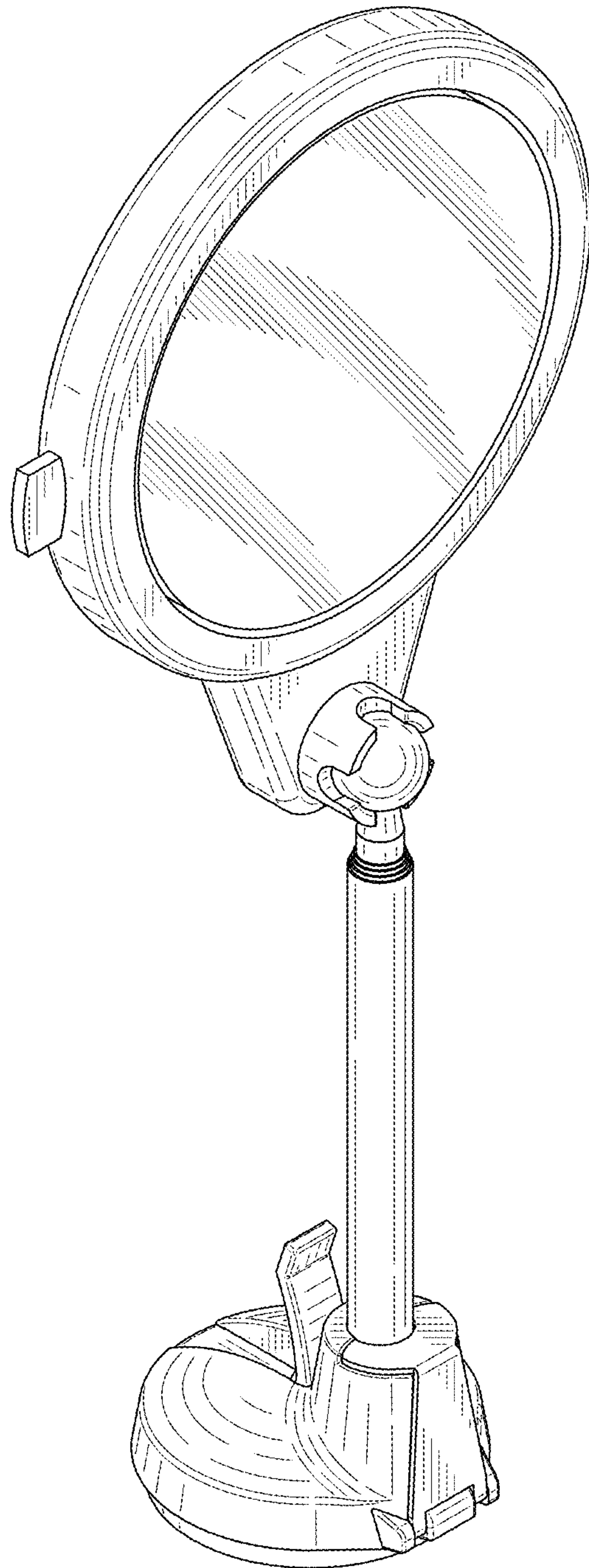


FIG. 8

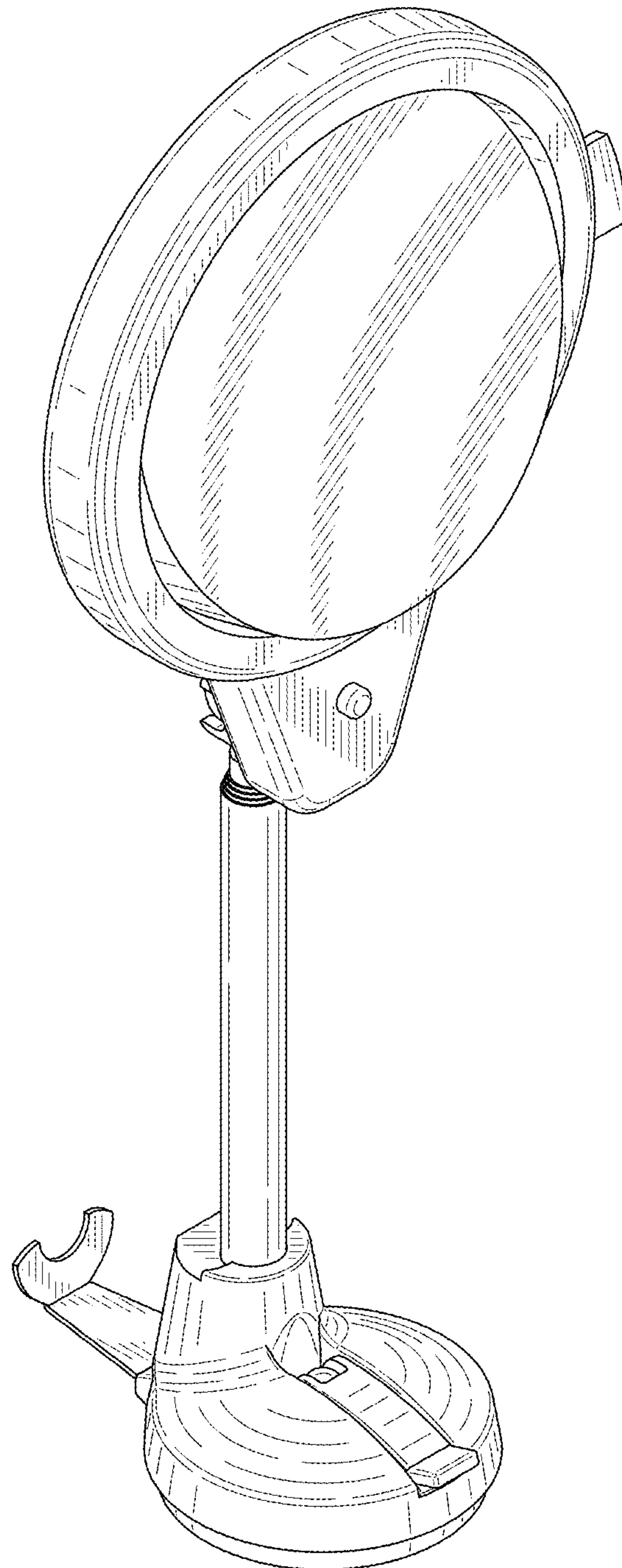


FIG. 9

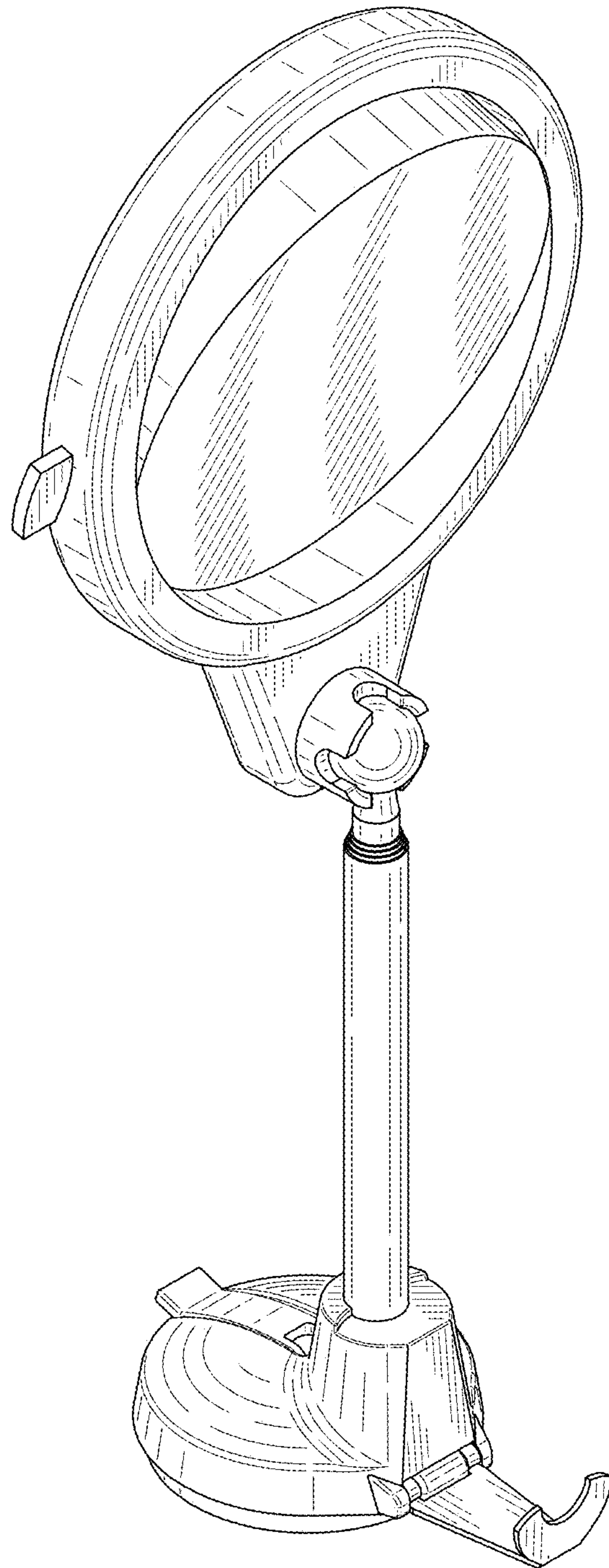


FIG. 10



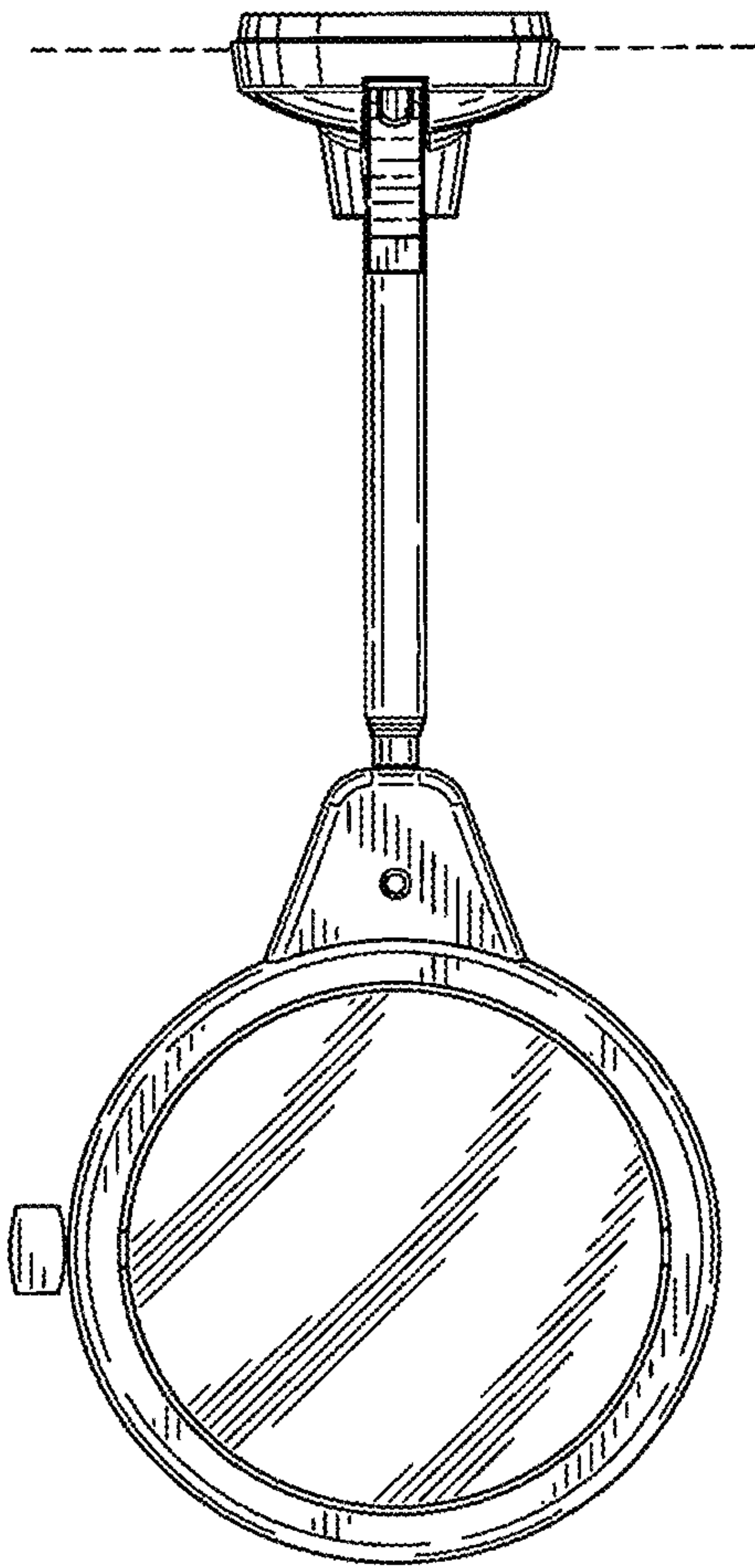


FIG. 11

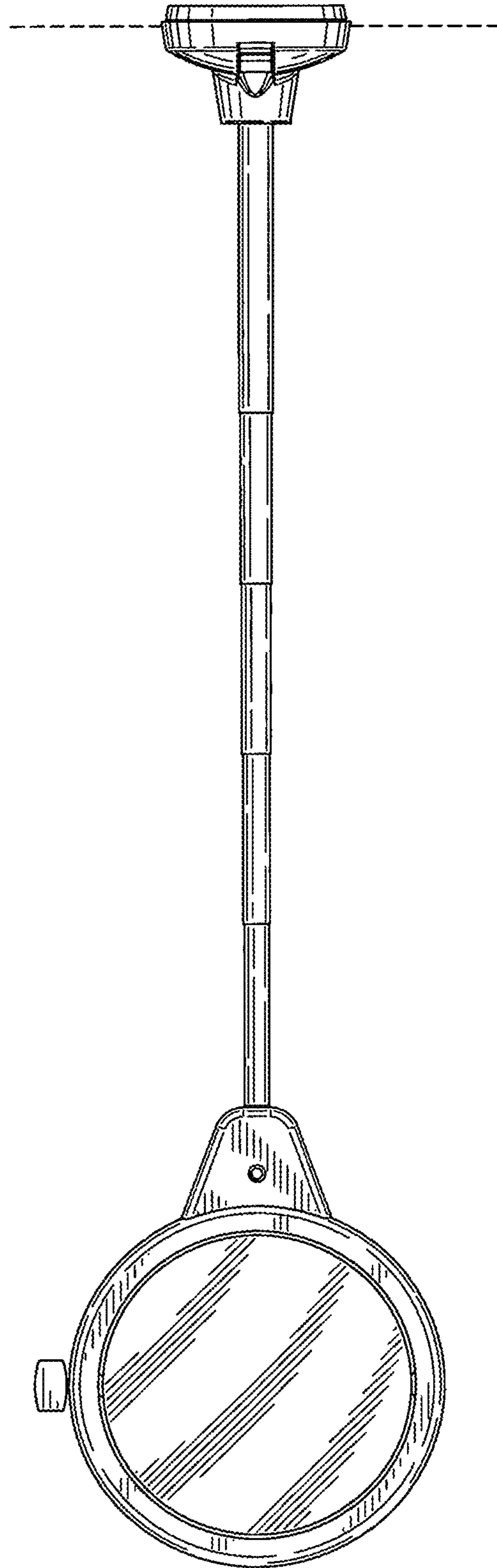


FIG. 12

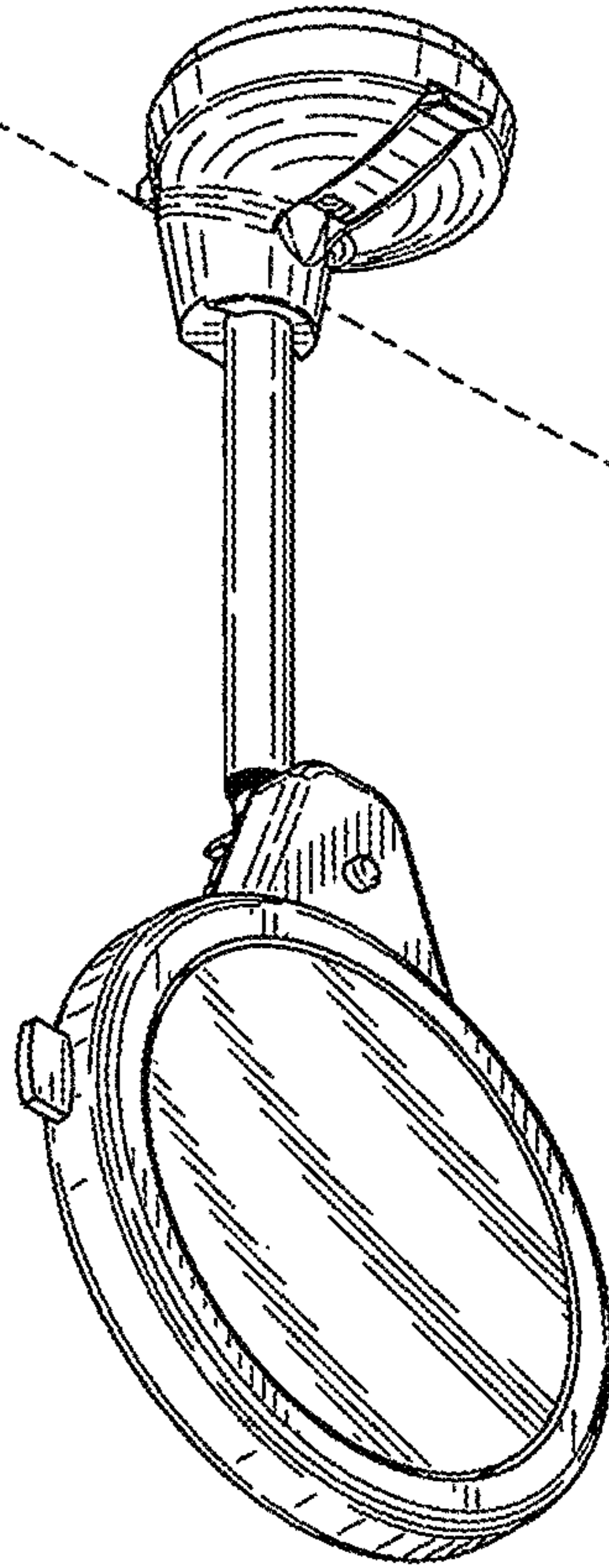


FIG. 13

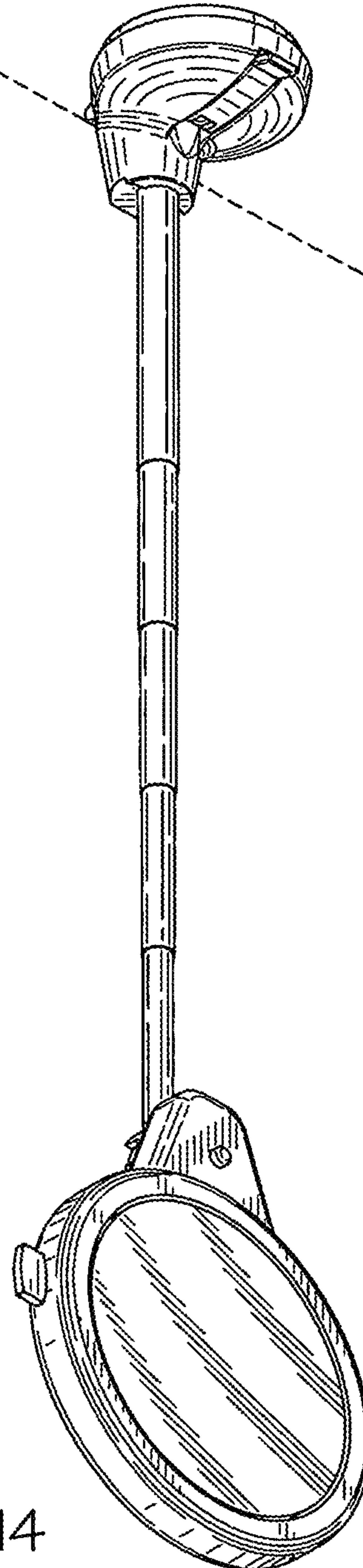


FIG. 14

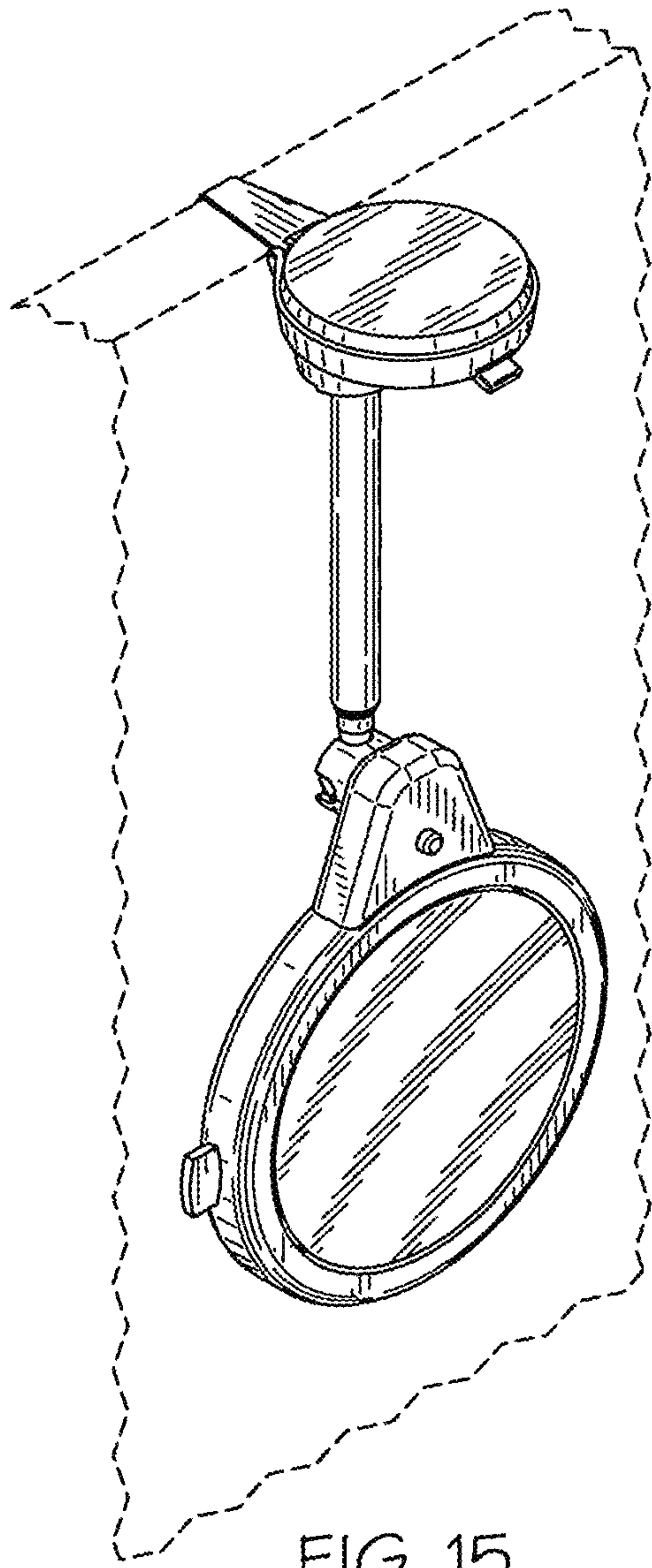


FIG. 15

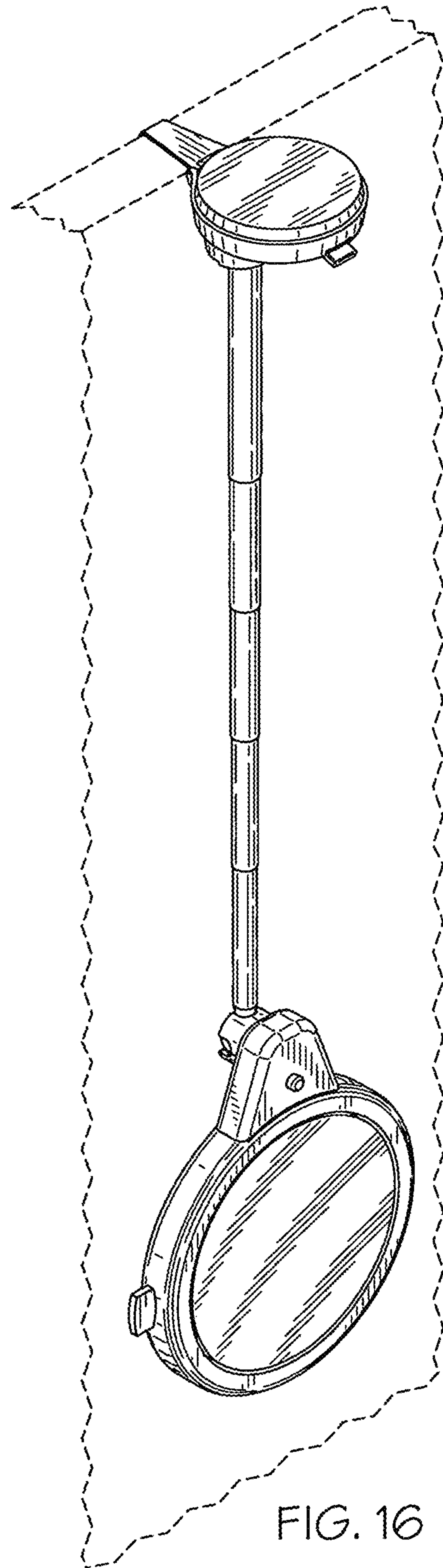


FIG. 16



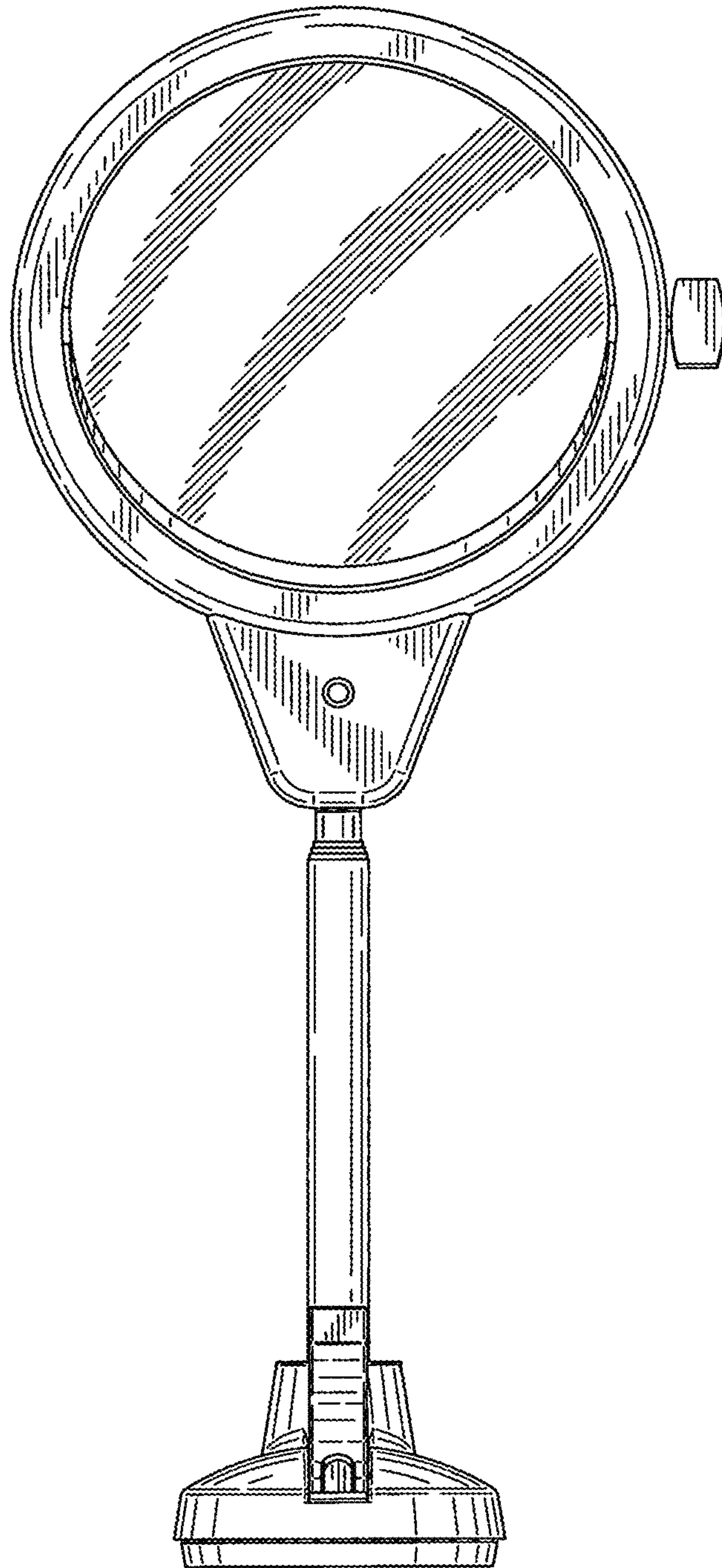


FIG. 17



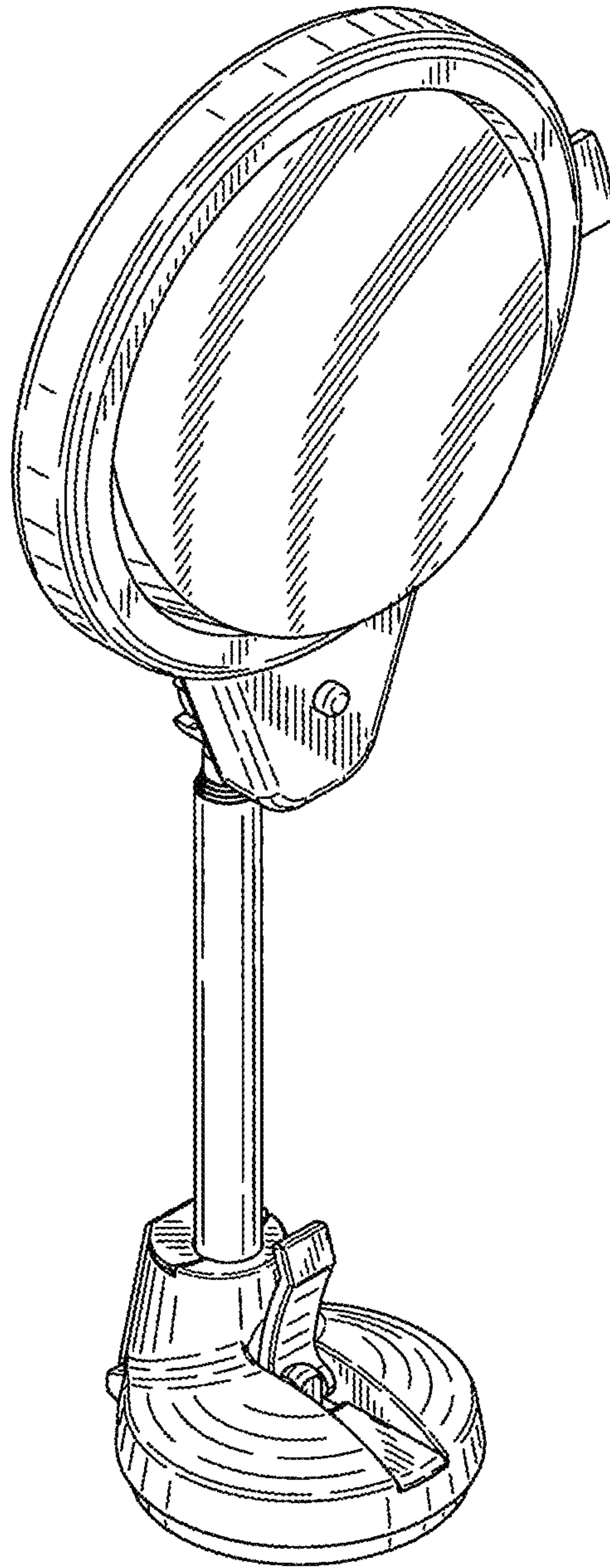


FIG. 18

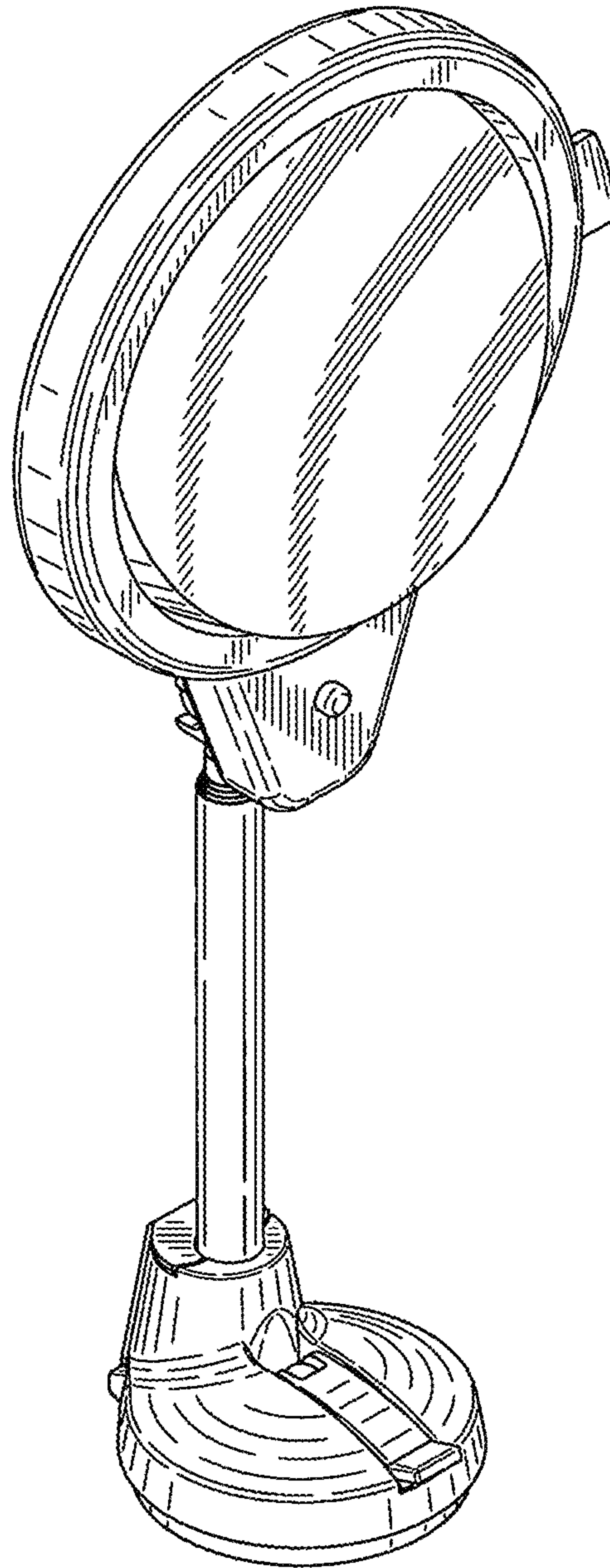


FIG. 19

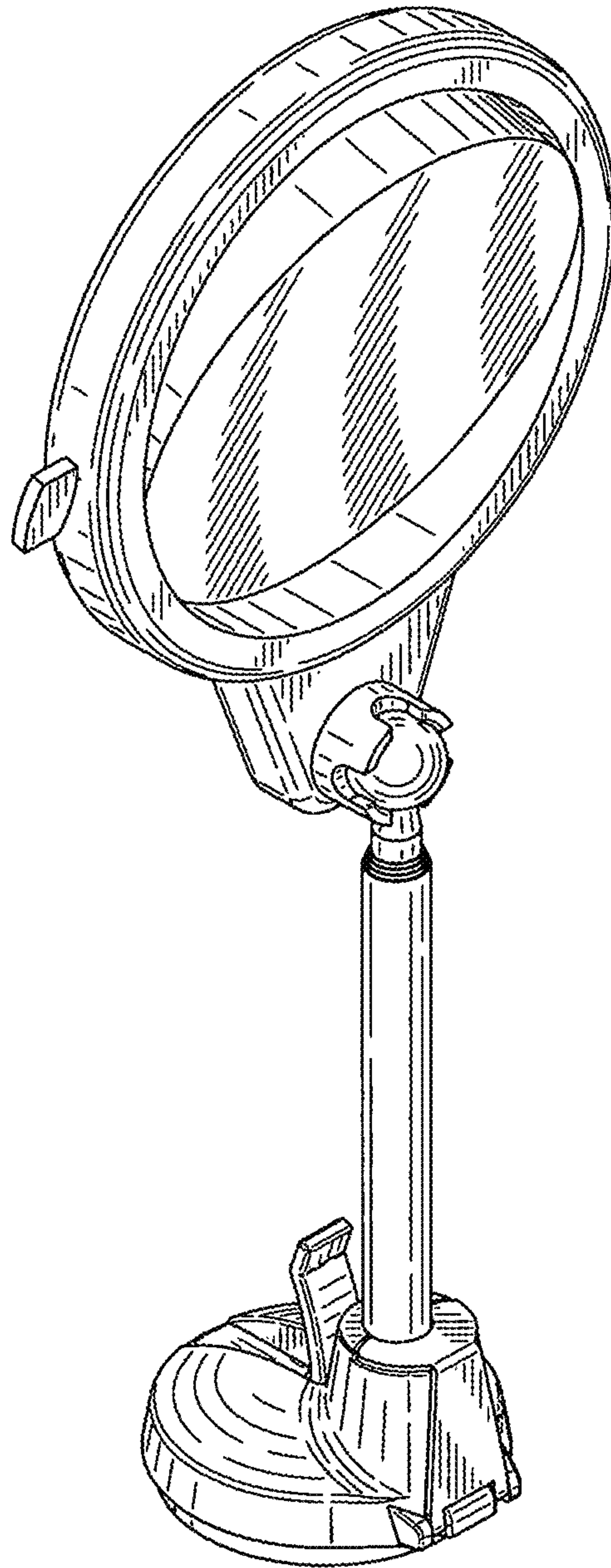


FIG. 20

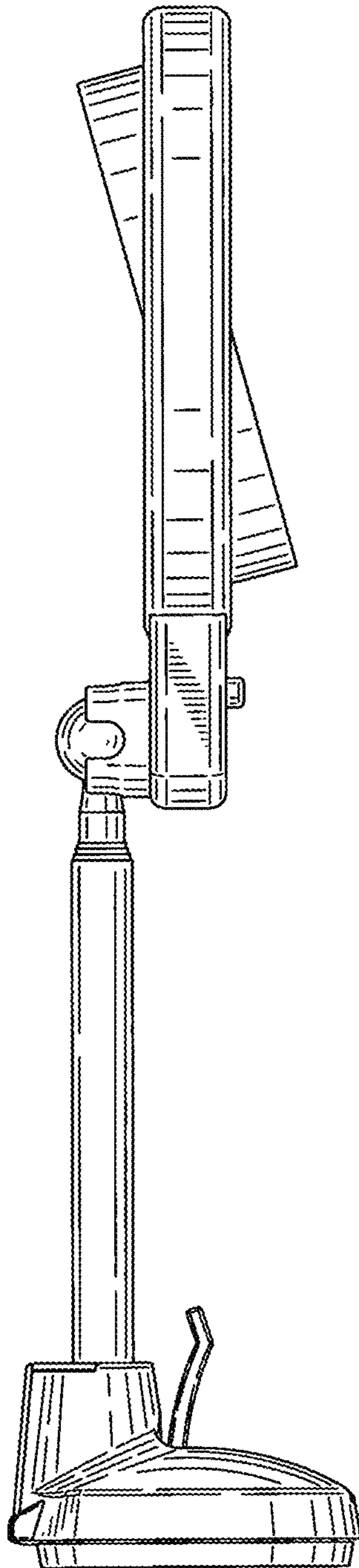


FIG. 21