



US00D873029S

(12) **United States Design Patent**  
**Yan et al.**

(10) **Patent No.:** **US D873,029 S**  
(45) **Date of Patent:** **\*\* Jan. 21, 2020**

- (54) **PET COMB**
- (71) Applicant: **Suzhou Shengkang Plastic Electric Co., Ltd., Suzhou (CN)**
- (72) Inventors: **Yongkang Yan, Suzhou (CN); Changzhou Yan, Suzhou (CN)**
- (73) Assignee: **Suzhou Shengkang Plastic Electric Co., Ltd., Suzhou (CN)**
- (\*\*) Term: **15 Years**

3,742,964 A *	7/1973	Newbern	.....	A45D 24/00
				132/118
D428,201 S *	7/2000	Nichols	.....	D28/33
D518,030 S *	3/2006	Lin	.....	D14/218
D542,786 S *	5/2007	Karlsson	.....	D14/302
D543,351 S *	5/2007	Bates	.....	D3/207
D602,916 S *	10/2009	Won	.....	D14/218
D643,412 S *	8/2011	Brady	.....	D14/218
D645,818 S *	9/2011	Guccione	.....	D13/108
D658,795 S *	5/2012	Szymanski	.....	D26/39
D677,438 S *	3/2013	Miller	.....	D30/152
D700,672 S *	3/2014	Riley	.....	D21/795
D714,787 S *	10/2014	Matsuoka	.....	D14/426
D817,006 S *	5/2018	Kinoshita	.....	D4/134

(Continued)

(21) Appl. No.: **29/695,091**

(22) Filed: **Jun. 14, 2019**

(30) **Foreign Application Priority Data**

Apr. 8, 2019 (CN) ..... 2019 3 0155816

(51) **LOC (12) Cl.** ..... **04-01**

(52) **U.S. Cl.**  
USPC ..... **D4/121; D30/159**

(58) **Field of Classification Search**  
USPC ..... D30/158-159, 199; D4/104-108, 117, D4/118, 121, 130-135, 138, 199; D28/10, 16, 22-34, 44, 46-48, 63, 74, D28/99; 119/86, 600, 604-606, 611-620, 119/625, 628-633; 132/219  
CPC .... A01K 13/00; A01K 13/002; A01K 13/001; A45D 24/00; B26B 19/24; A46B 9/023  
See application file for complete search history.

(56) **References Cited**

**U.S. PATENT DOCUMENTS**

1,997,944 A *	4/1935	Ogden, Jr.	.....	A61H 7/003
				132/107
2,681,039 A *	6/1954	Springborn	.....	A45D 24/24
				119/605
D182,580 S *	4/1958	Fredrickson	.....	D4/121

**FOREIGN PATENT DOCUMENTS**

WO WO-2016165560 A1 \* 10/2016

*Primary Examiner* — Sandra S Snapp

*Assistant Examiner* — Mehri F Bajoul

(74) *Attorney, Agent, or Firm* — Wayne & Ken, LLC; Tony Hom

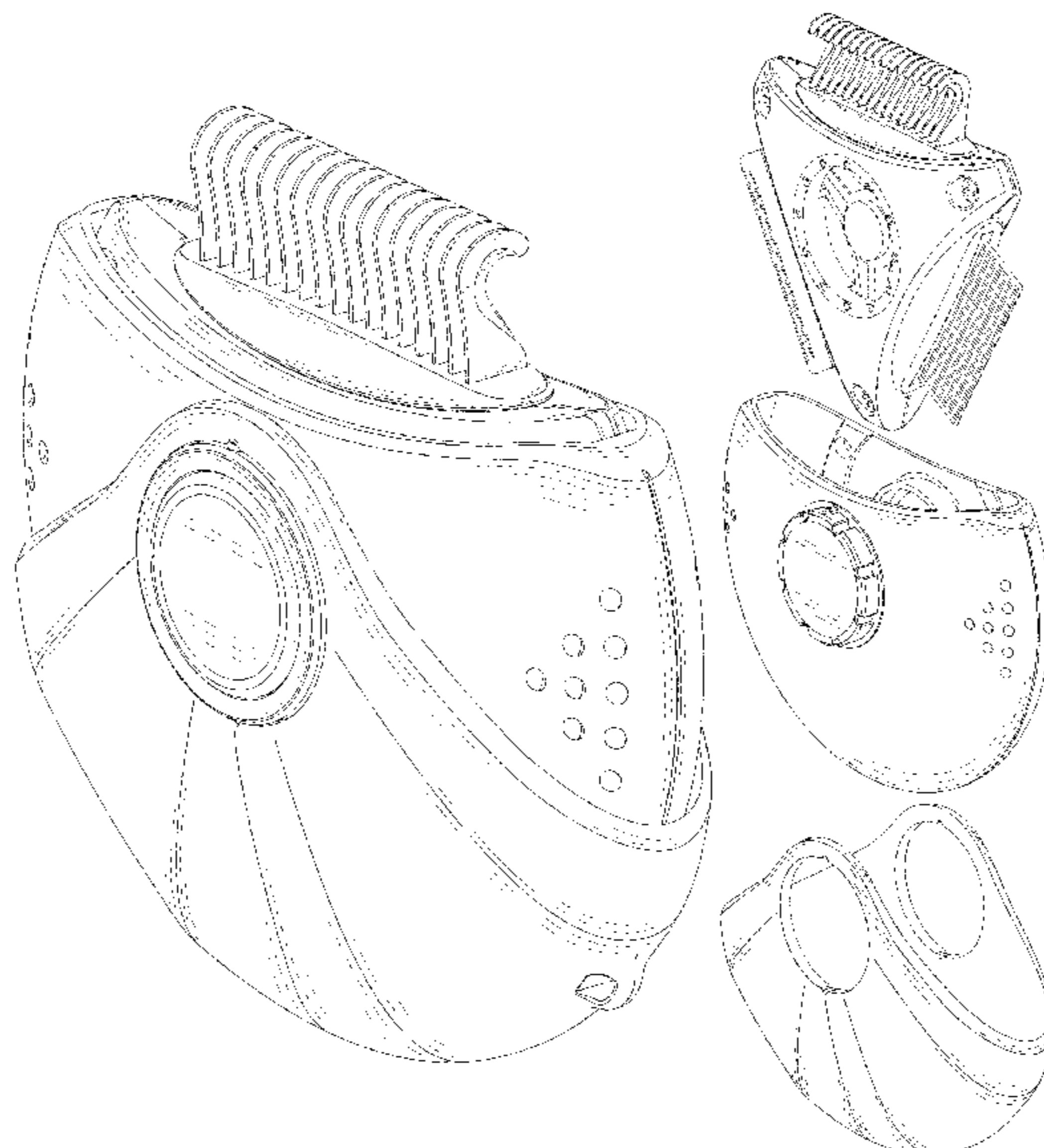
(57) **CLAIM**

The ornamental design for a pet comb, as shown and described.

**DESCRIPTION**

FIG. 1 is a perspective view of a pet comb in an open state showing our new design.  
FIG. 2 is the exploded back perspective view thereof;  
FIG. 3 is a perspective view of the pet comb in a closed state;  
FIG. 4 is the front elevation view of FIG. 1;  
FIG. 5 is the back elevation view thereof;  
FIG. 6 is the left side elevation view thereof;  
FIG. 7 is the right side elevation view thereof;  
FIG. 8 is the top plan view thereof; and,  
FIG. 9 is the bottom plan view thereof.  
The broken lines shown in the drawings depict portions of the pet comb that form no part of the claimed design.

**1 Claim, 9 Drawing Sheets**



(56)

**References Cited**

U.S. PATENT DOCUMENTS

D846,418 S \* 4/2019 Yang ..... D10/106.8  
D854,244 S \* 7/2019 Skinner ..... D28/31

\* cited by examiner

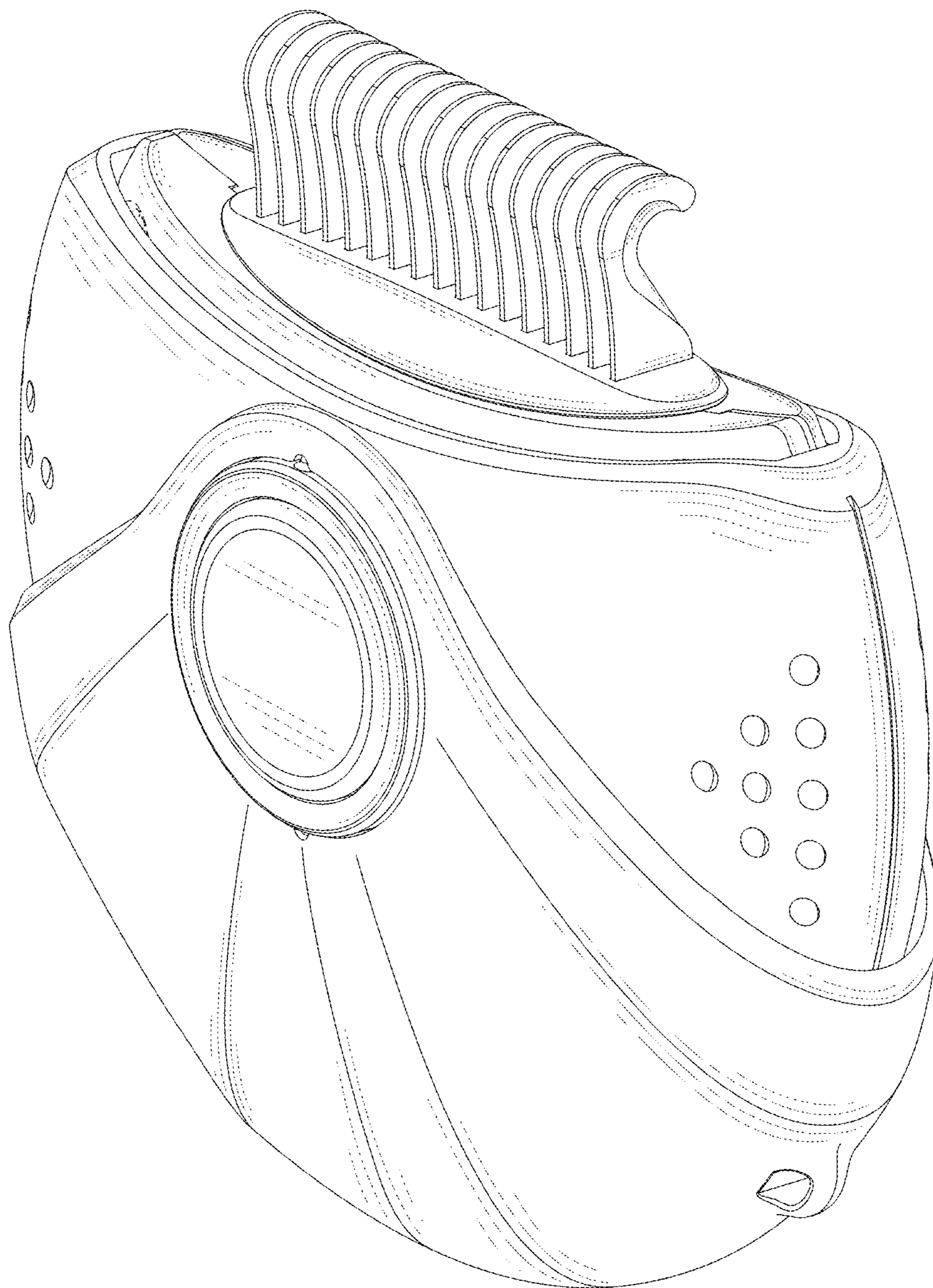


FIG. 1

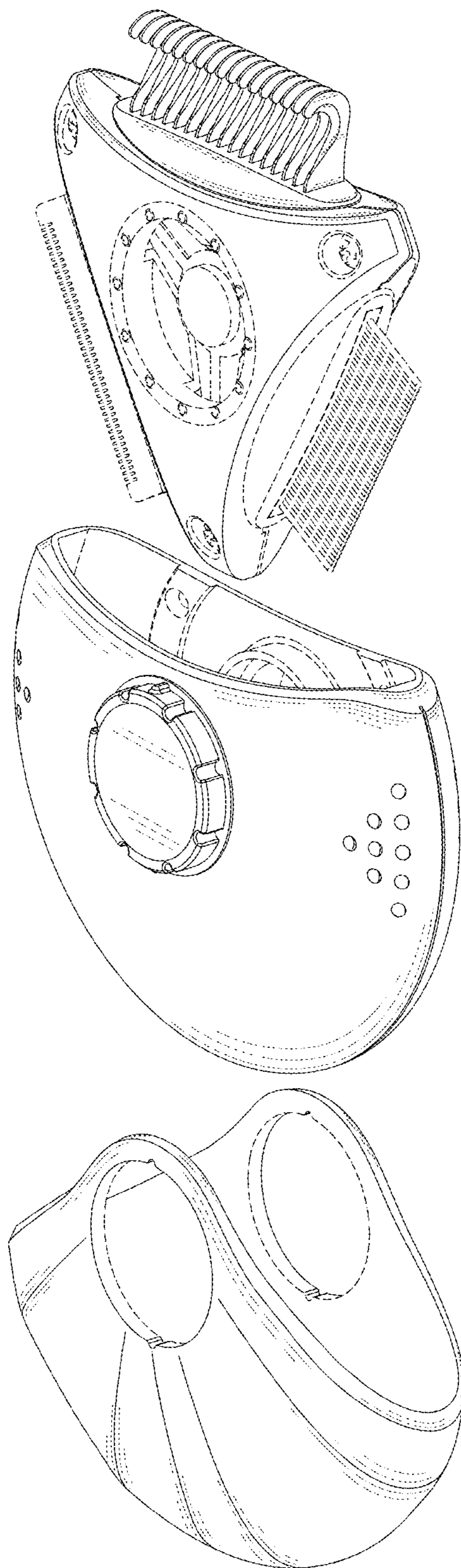


FIG. 2

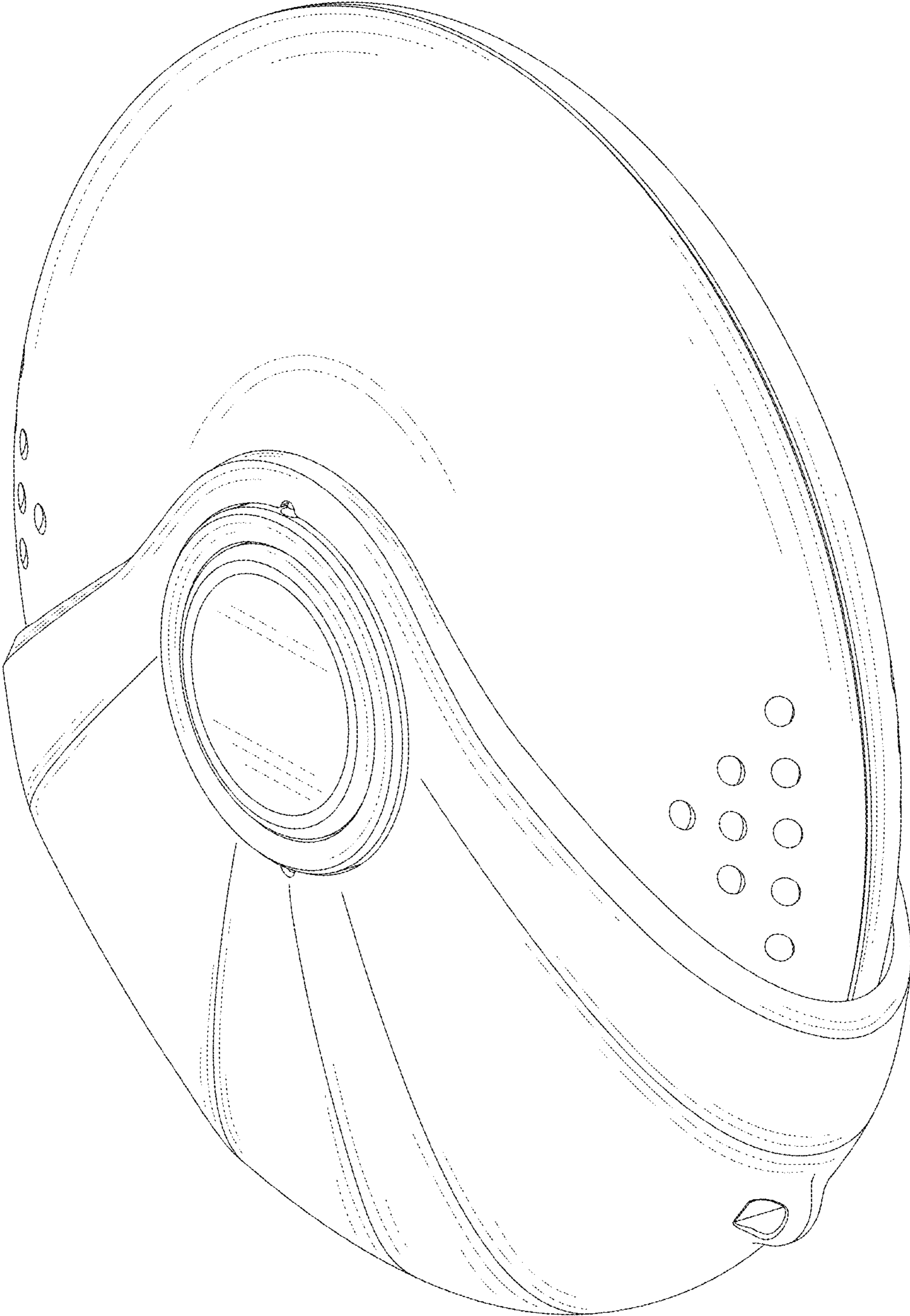


FIG. 3

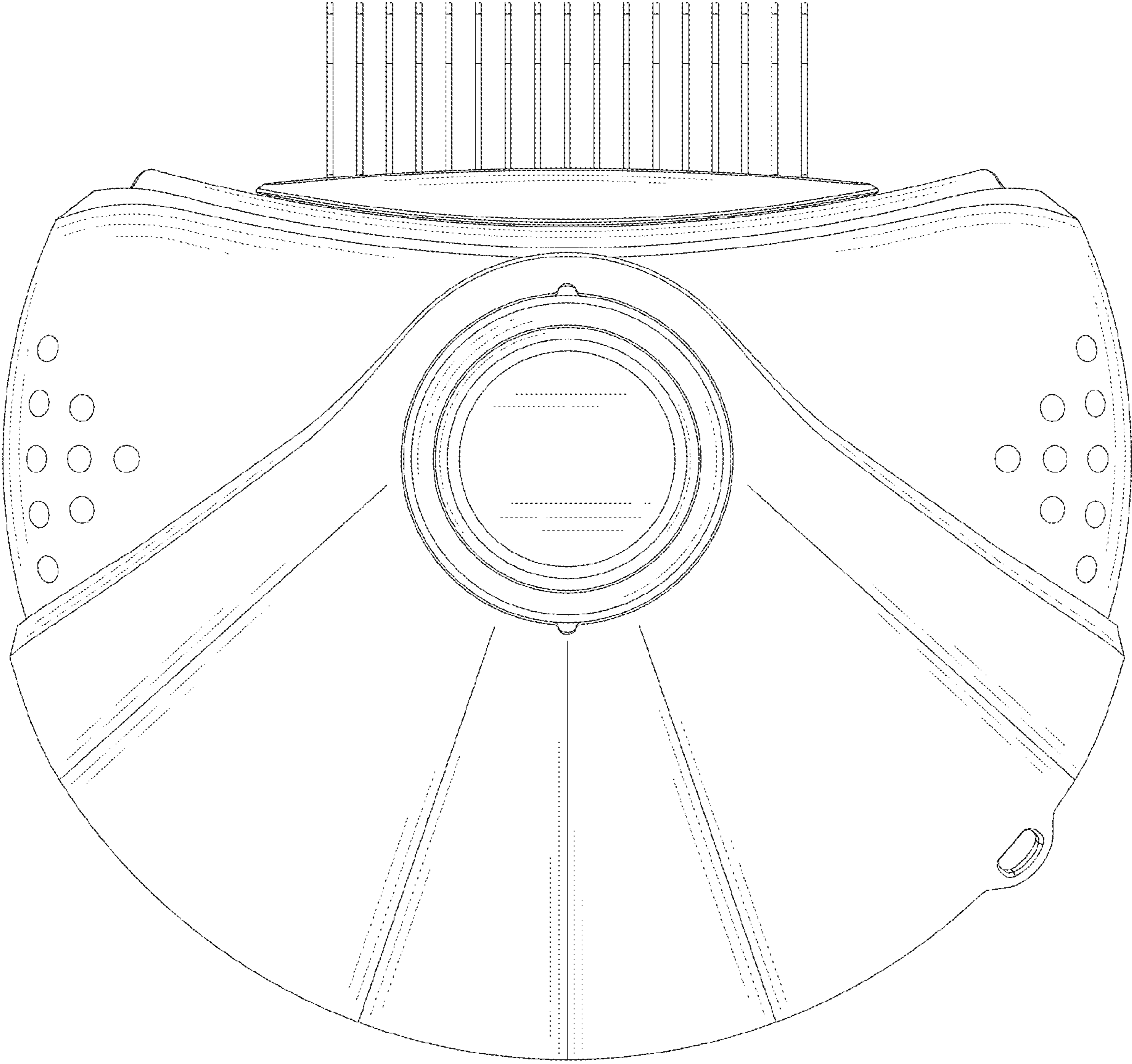


FIG. 4

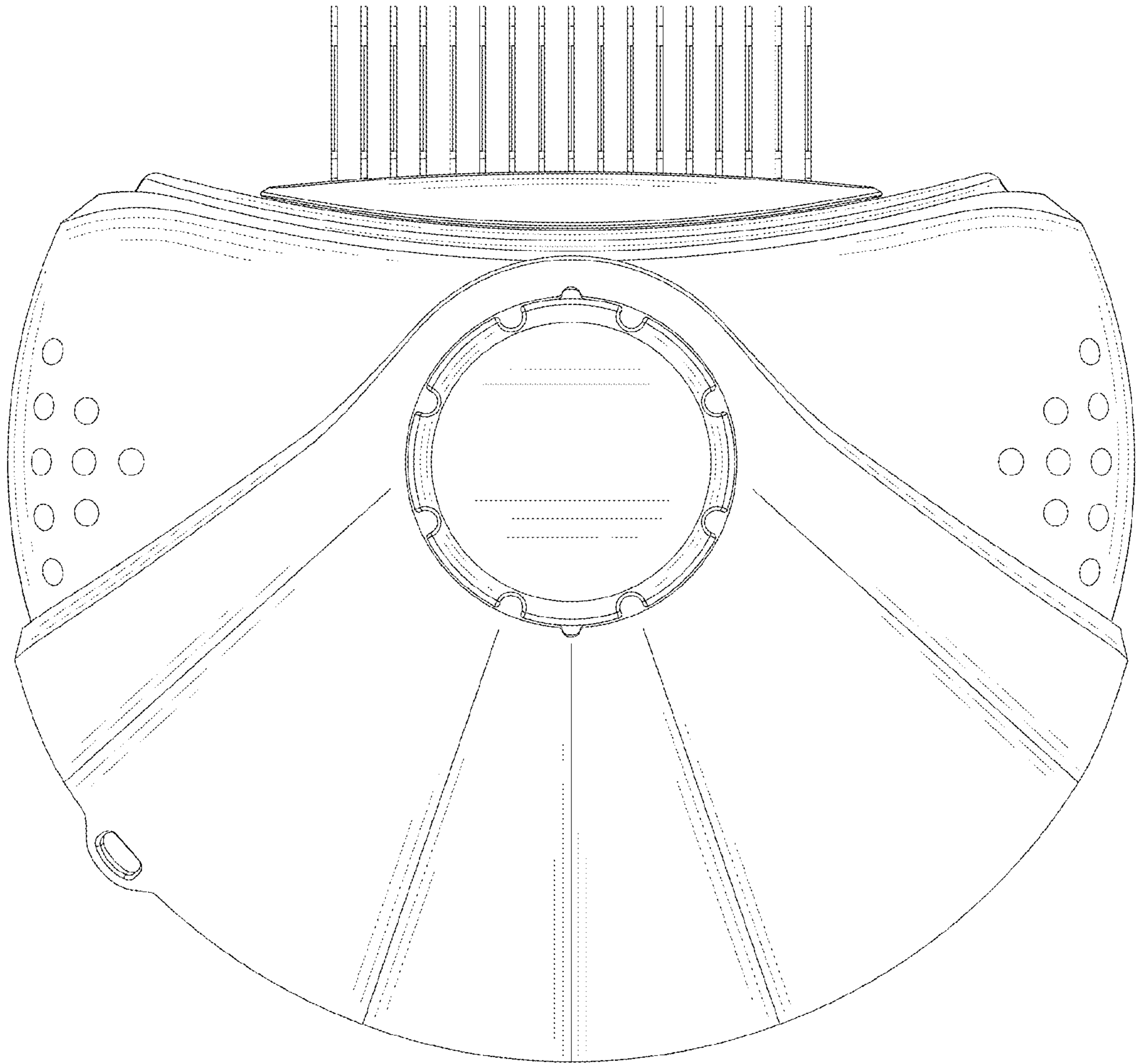


FIG. 5

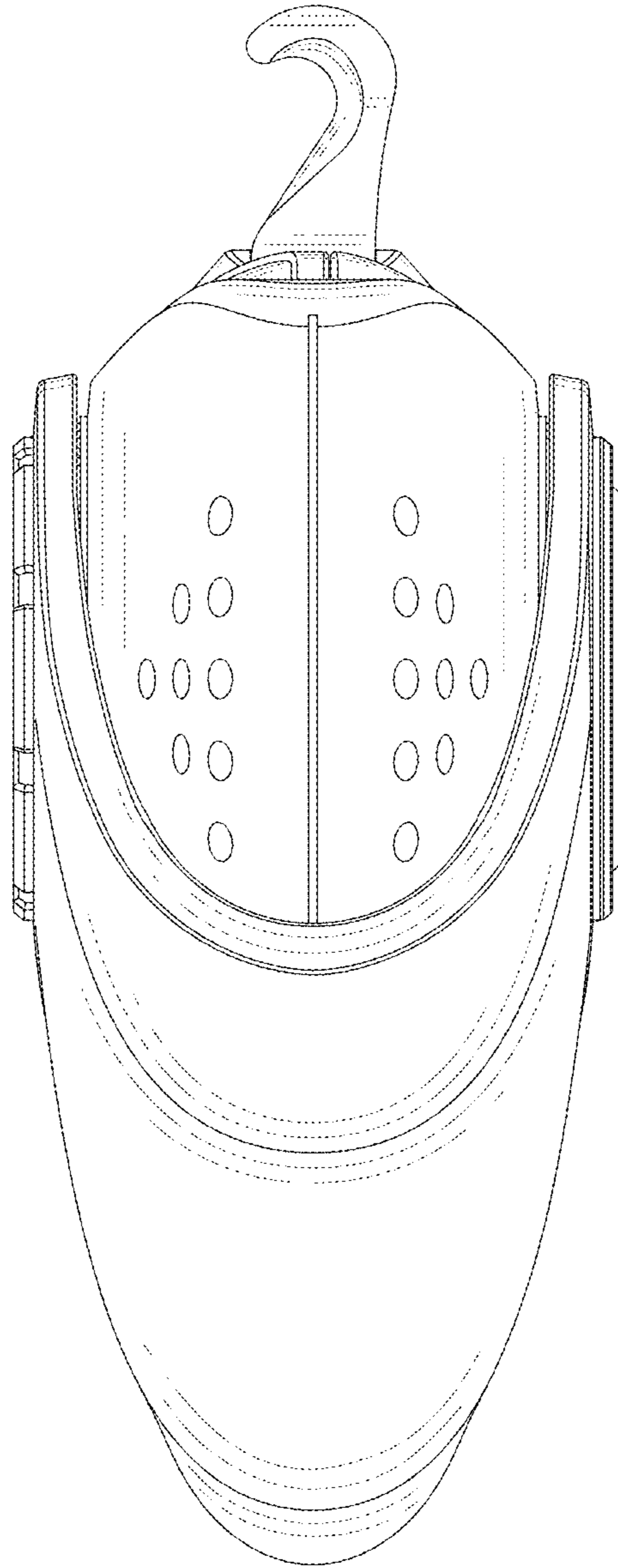


FIG. 6



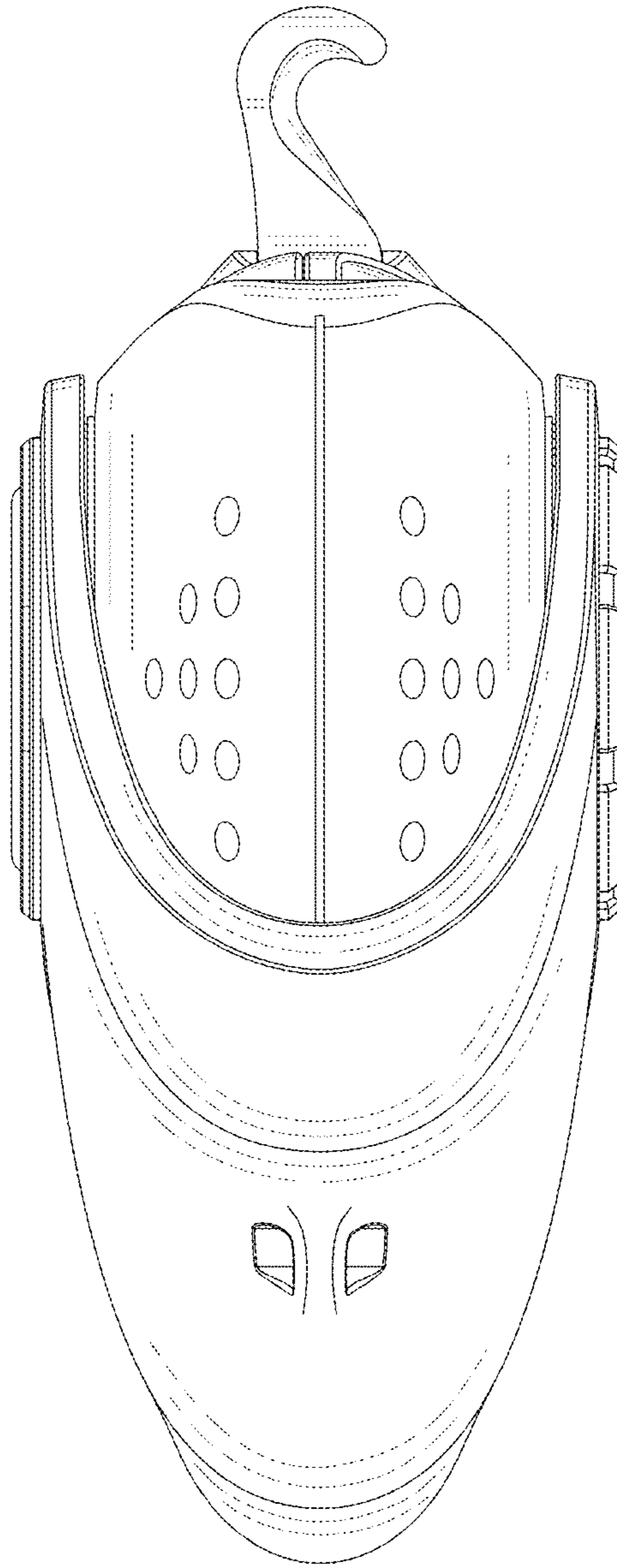


FIG. 7

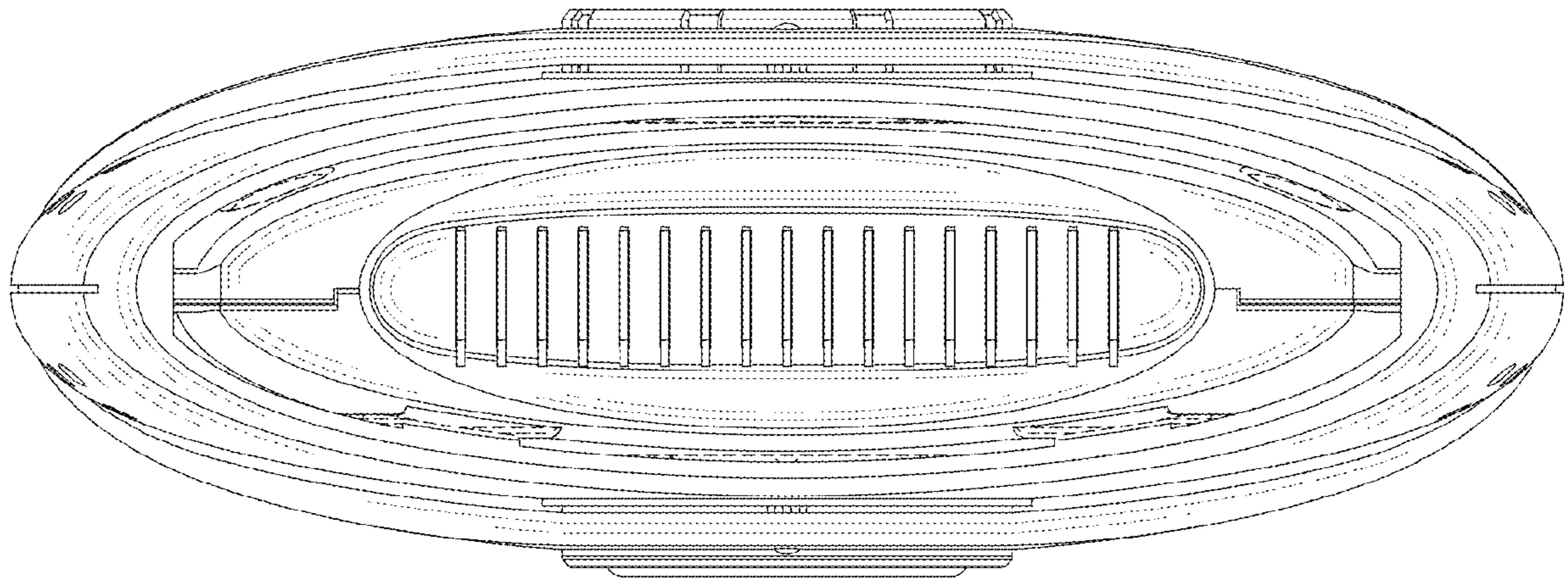


FIG. 8

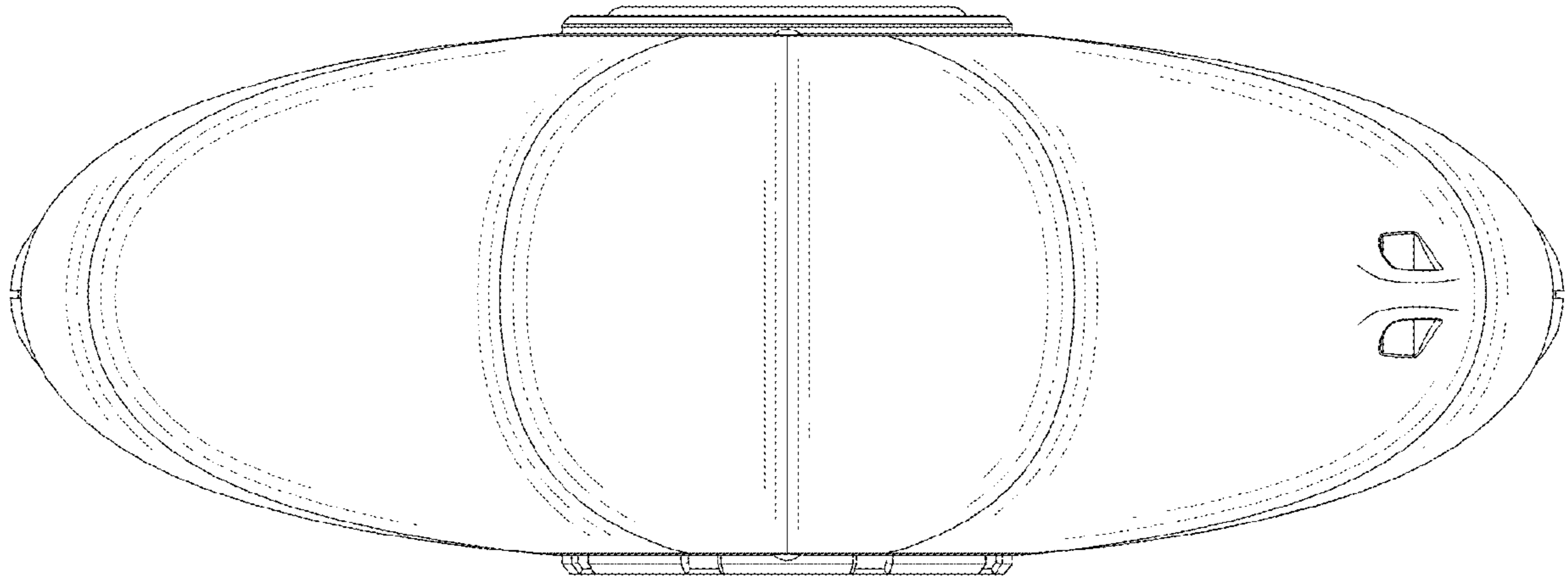


FIG. 9