



US00D873024S

(12) **United States Design Patent** (10) **Patent No.:** **US D873,024 S**  
**Usui** (45) **Date of Patent:** **\*\* Jan. 21, 2020**

(54) **SUITCASE**  
(71) Applicant: **MONTBLANC-SIMPLO GMBH,**  
Hamburg (DE)

D796,199 S \* 9/2017 Law ..... D3/279  
D807,034 S \* 1/2018 Chen ..... D3/273  
D816,335 S \* 5/2018 Chen ..... D3/273  
D817,638 S \* 5/2018 Salander ..... D3/279  
D824,169 S \* 7/2018 Guo ..... D3/279  
D849,403 S \* 5/2019 Tong ..... D3/279

(72) Inventor: **Haruka Usui,** Florence (IT)  
(73) Assignee: **MONTBLANC-SIMPLO GMBH**  
(DE)

(\*\*) Term: **15 Years**

(21) Appl. No.: **29/642,002**

(22) Filed: **Mar. 27, 2018**

(30) **Foreign Application Priority Data**

Sep. 28, 2017 (WO) ..... 4889701

(51) **LOC (12) Cl.** ..... **03-01**

(52) **U.S. Cl.**  
USPC ..... **D3/321; D3/279**

(58) **Field of Classification Search**  
USPC ..... D3/273, 276, 279, 902, 321  
CPC ..... A45C 2003/008; A45C 3/02; A45C 5/00;  
A45C 5/03; A45C 5/14; A45C 2005/032;  
A45C 2005/035; A45C 2005/037  
See application file for complete search history.

(56) **References Cited**

**U.S. PATENT DOCUMENTS**

D579,201 S \* 10/2008 Galli ..... D3/273  
D720,928 S \* 1/2015 Roncato ..... D3/279  
D740,558 S \* 10/2015 Liao ..... D3/279  
D771,950 S \* 11/2016 Lai ..... D3/321  
D783,282 S \* 4/2017 Sijmons ..... D3/279

**OTHER PUBLICATIONS**

Forbes, "Montblanc Launches Its First Full Luggage Collection",  
Published Jun. 17, 2018. (<https://www.forbes.com/sites/anthonydemarco/2018/06/17/montblanc-launches-its-first-full-luggage-collection/>) (Year:  
2018).\*

\* cited by examiner

*Primary Examiner* — April Rivas

(74) *Attorney, Agent, or Firm* — Saidman DesignLaw  
Group, LLC

(57) **CLAIM**

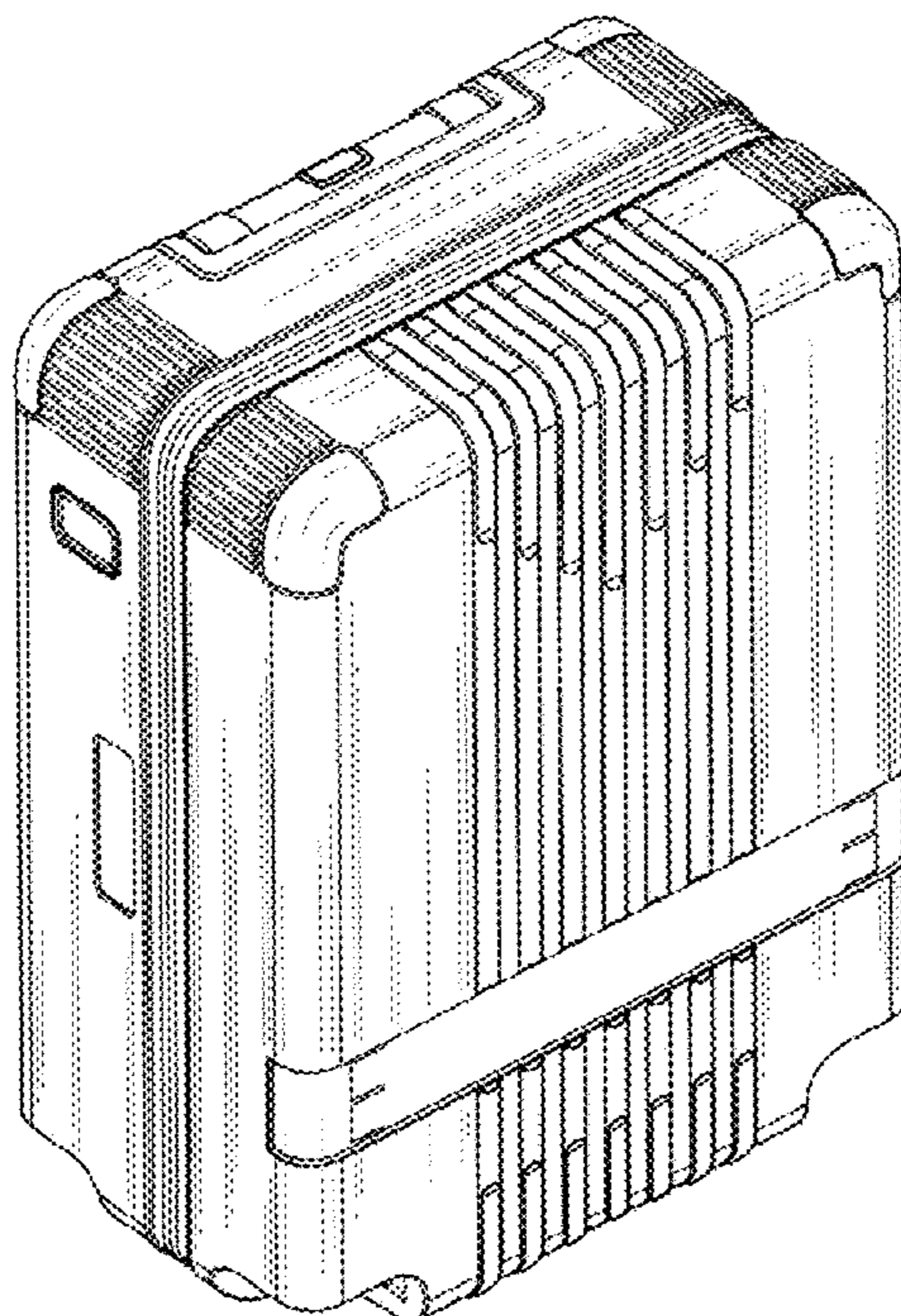
The ornamental design for a suitcase, as shown and  
described.

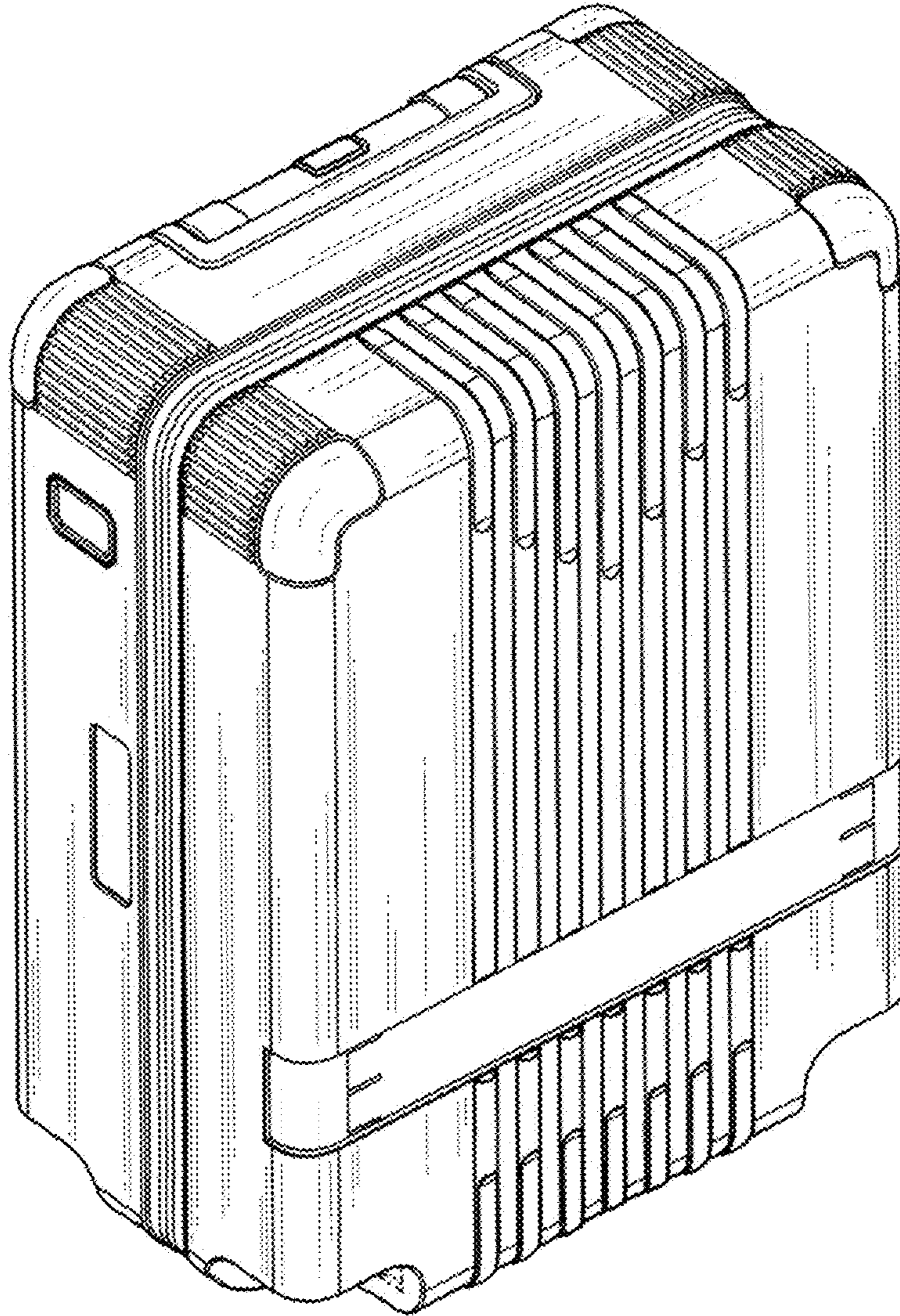
**DESCRIPTION**

FIG. 1 is a front perspective view of a suitcase showing my  
new design;  
FIG. 2 is a rear perspective view thereof;  
FIG. 3 is a front view thereof;  
FIG. 4 is a rear view thereof;  
FIG. 5 is a left side view thereof;  
FIG. 6 is a right side view thereof;  
FIG. 7 is a top view thereof; and,  
FIG. 8 is a bottom view thereof.

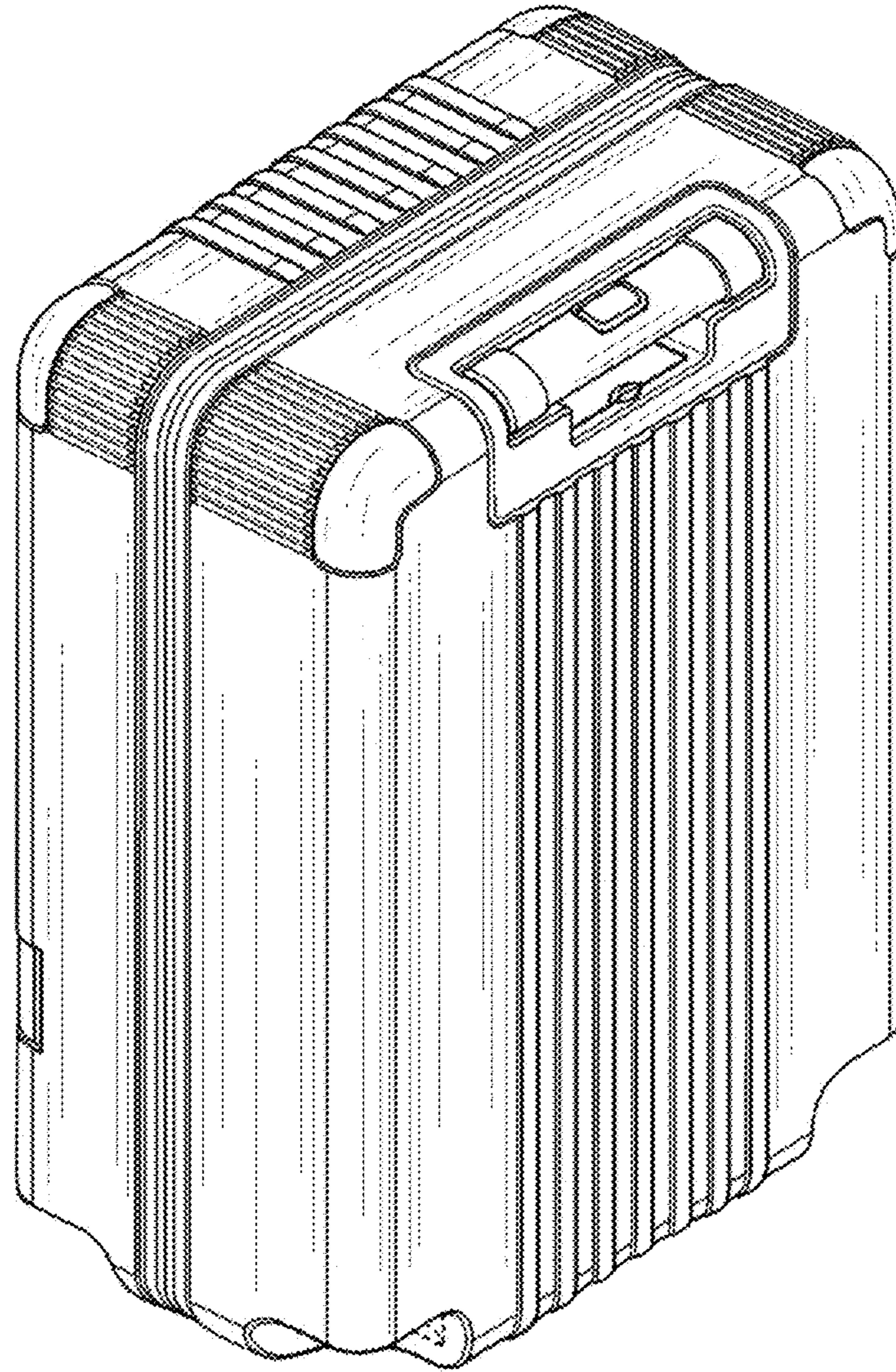
The broken lines illustrate structure or features which form  
no part of the claimed design.

**1 Claim, 6 Drawing Sheets**





**FIG. 1**



**FIG. 2**

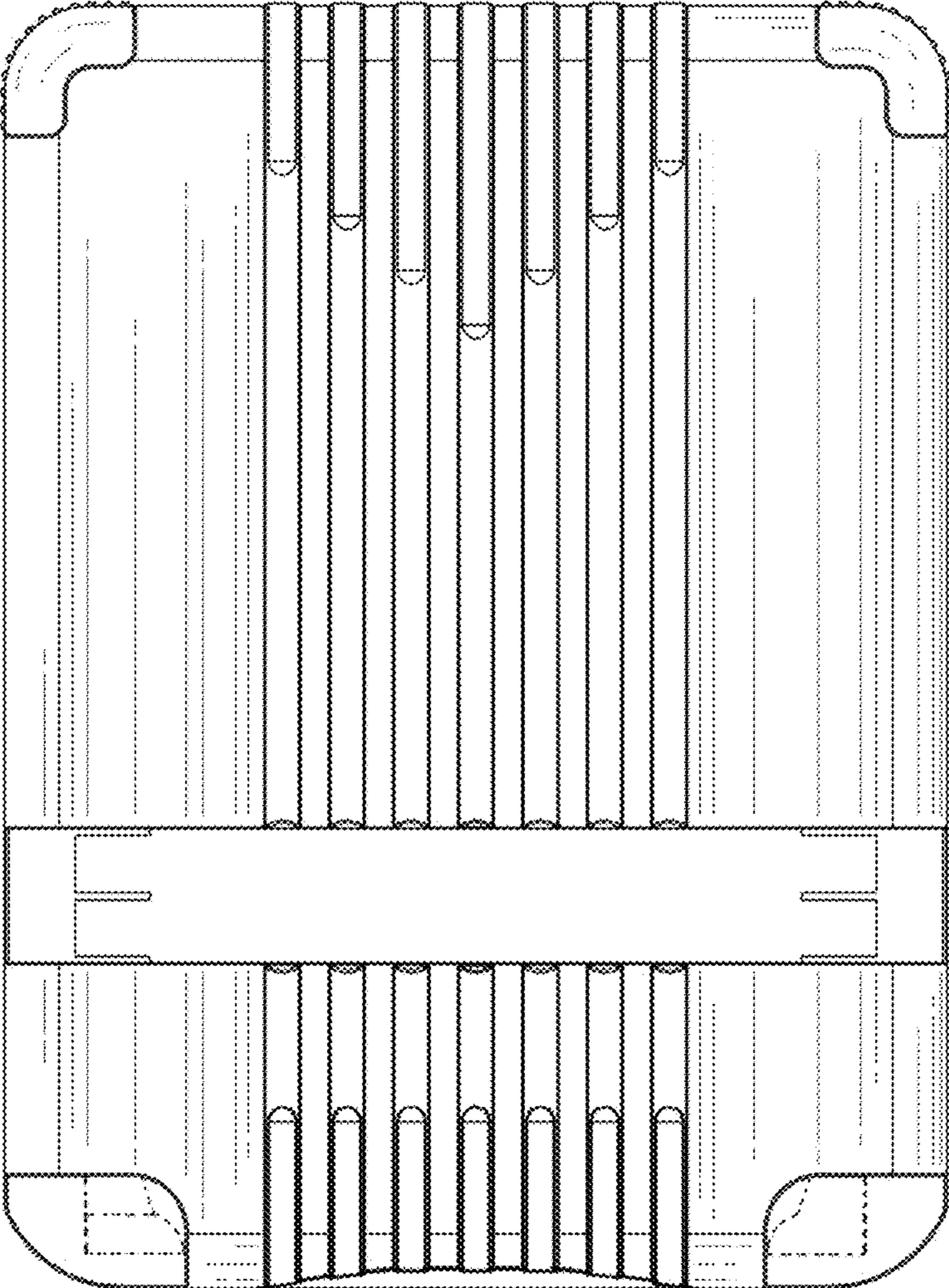
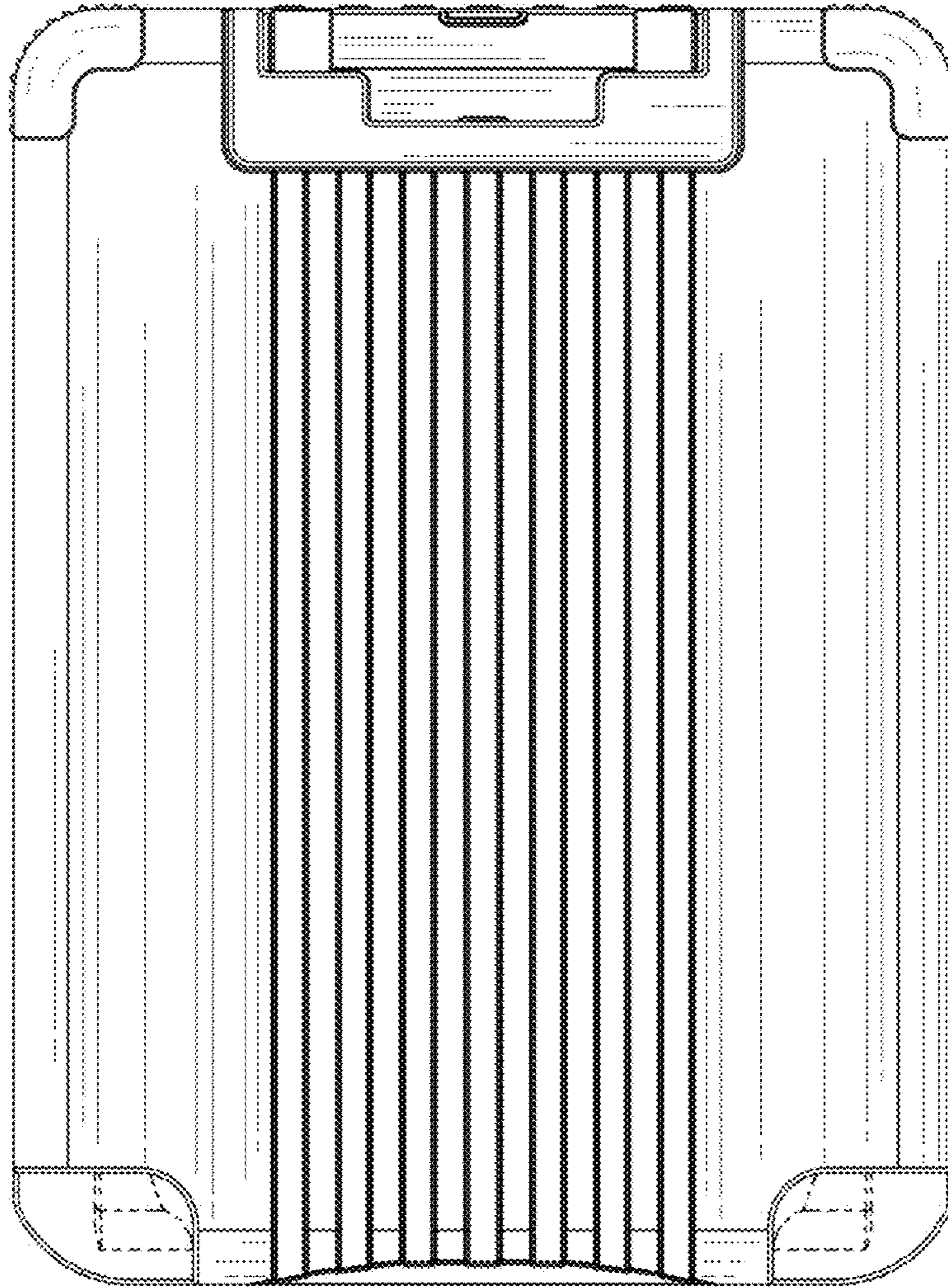
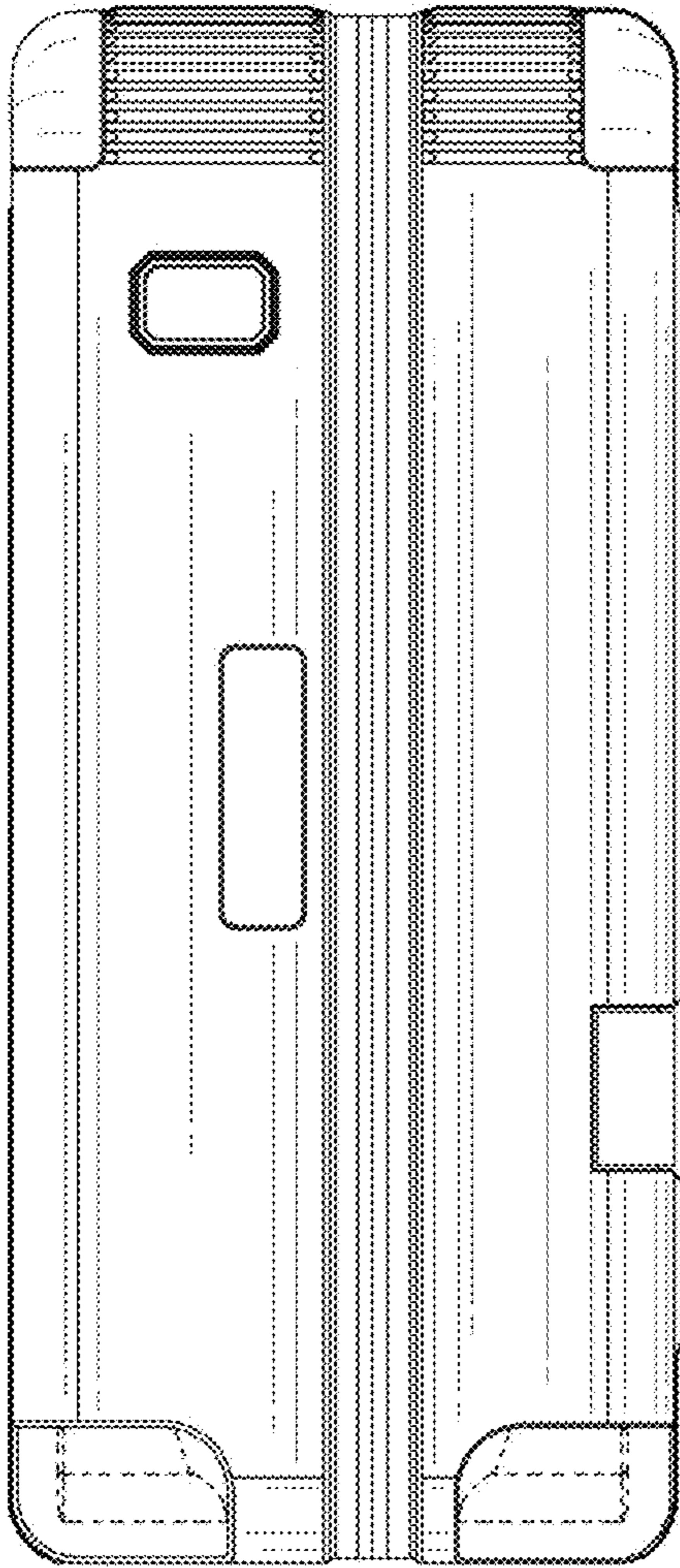


FIG. 3



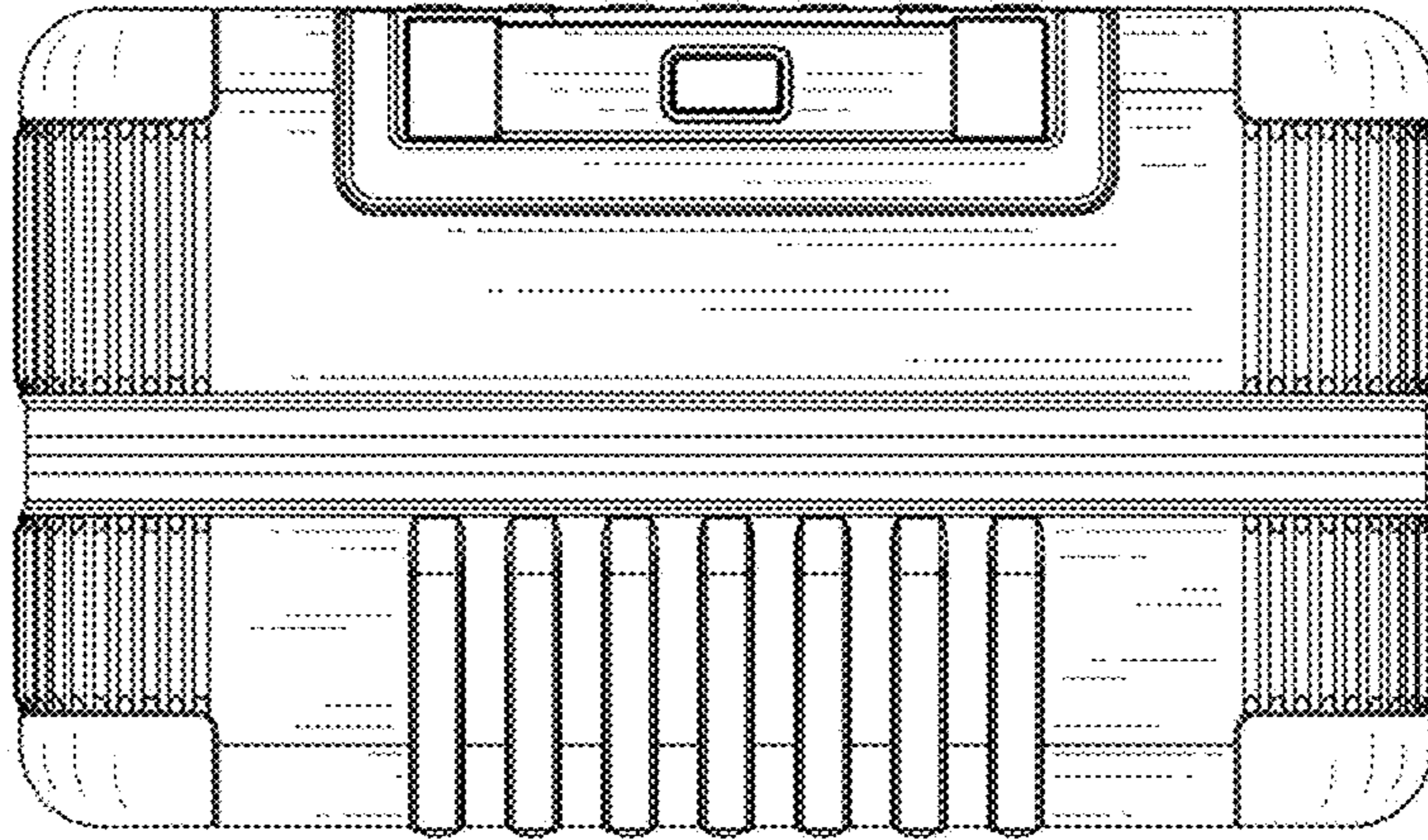
**FIG. 4**



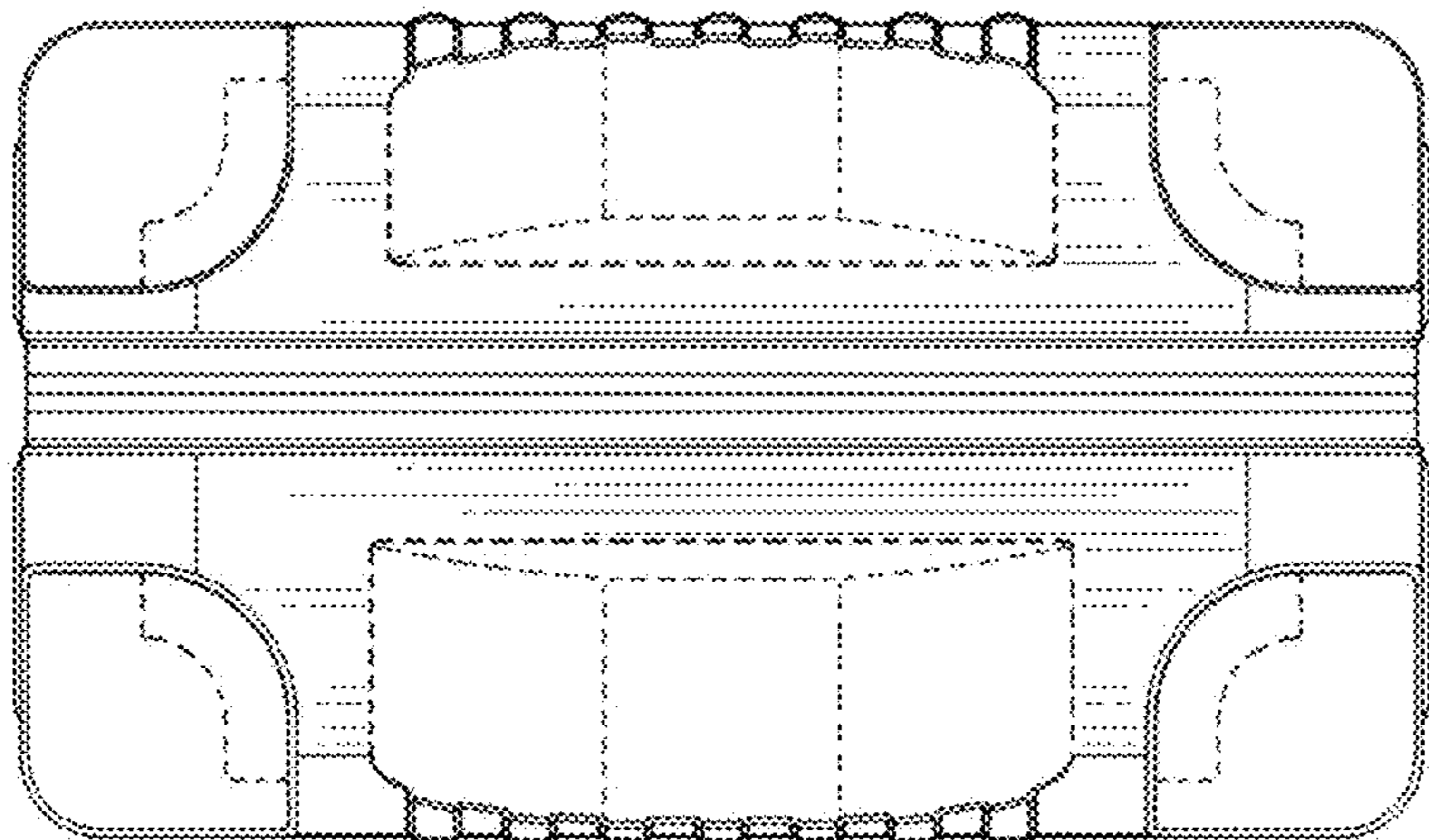
**FIG. 5**



**FIG. 6**



**FIG. 7**



**FIG. 8**