



US00D873022S

(12) **United States Design Patent**
Seip et al.

(10) **Patent No.:** **US D873,022 S**

(45) **Date of Patent:** **** Jan. 21, 2020**

- (54) **BAG**
- (71) Applicant: **Skip Hop, Inc.**, New York, NY (US)
- (72) Inventors: **Sierra Seip**, New York, NY (US); **Ellen Diamant**, New York, NY (US)
- (73) Assignee: **SKIP HOP, INC.**, New York, NY (US)
- (**) Term: **15 Years**
- (21) Appl. No.: **29/661,151**
- (22) Filed: **Aug. 24, 2018**
- (51) **LOC (12) Cl.** **03-01**
- (52) **U.S. Cl.**
USPC **D3/318**
- (58) **Field of Classification Search**
USPC D3/232–233, 240–243, 245–246, 318
CPC A45C 1/024; A45C 3/06
See application file for complete search history.

D808,157 S *	1/2018	Viger	D3/245
D814,191 S *	4/2018	Fusi	D3/318
D814,192 S *	4/2018	Fusi	D3/318
D819,967 S *	6/2018	Carter	D3/246
D824,666 S *	8/2018	Carter	D3/245

* cited by examiner

Primary Examiner — Holly H Baynham

(74) *Attorney, Agent, or Firm* — Stephen J. Weyer, Esq.;
Stites & Harbison, PLLC

(57) **CLAIM**

The ornamental design for a bag, as shown and described.

DESCRIPTION

FIG. 1 is a perspective view taken from the front, left side, and top side of a first exemplary embodiment of the bag of the present design.

FIG. 2 is a front elevation view of the bag of FIG. 1.

FIG. 3 is a rear elevation view of the bag of FIG. 1.

FIG. 4 is a right side elevation view of the bag of FIG. 1.

FIG. 5 is a left side elevation view of the bag of FIG. 1.

FIG. 6 is a top plan view of the bag of FIG. 1; and,

FIG. 7 is a bottom plan view of the bag of FIG. 1.

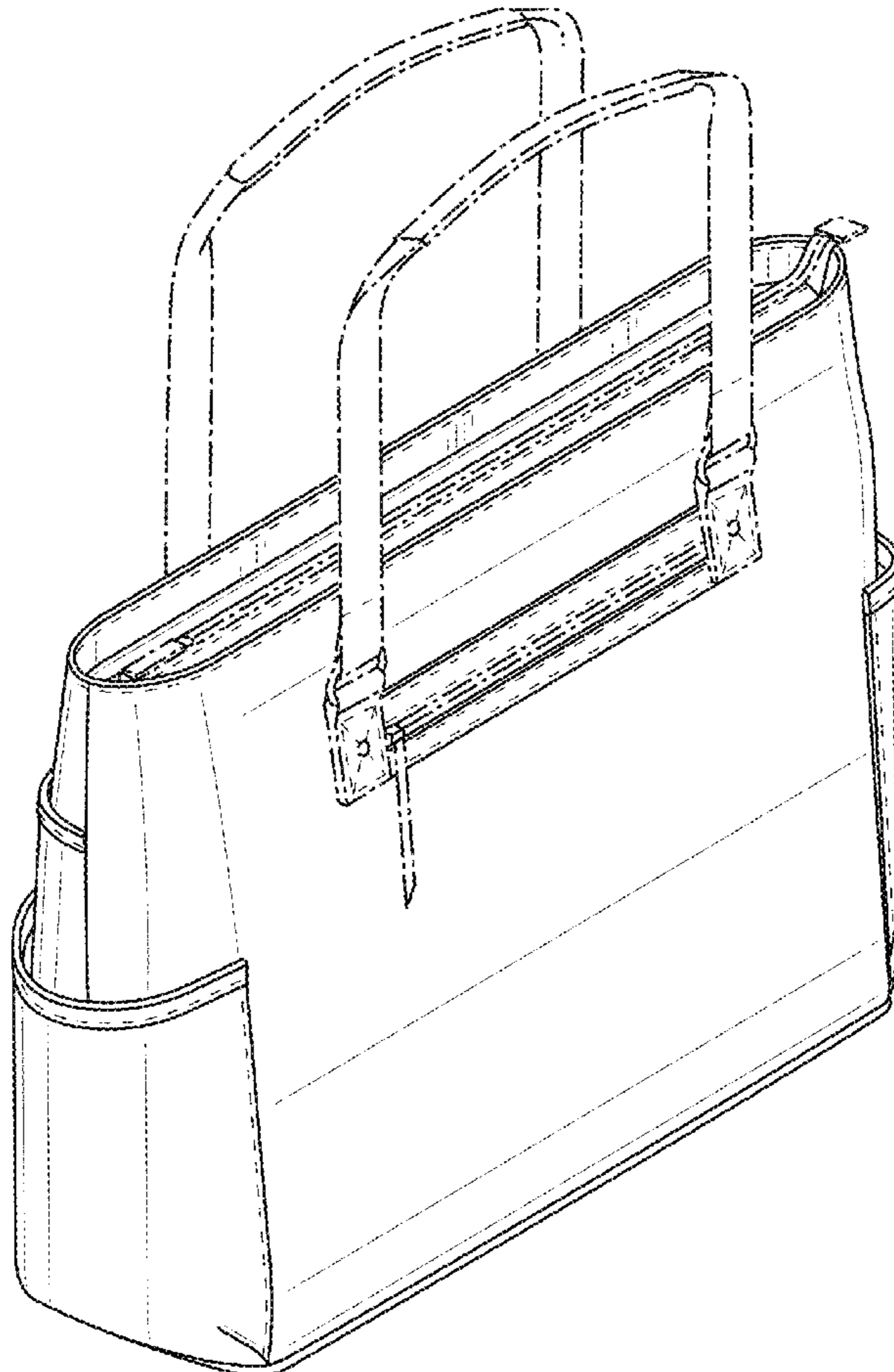
The dash-dash broken lines shown represent stitching and form part of the claimed design. Elements drawn in dash-dot-dash lines are included for illustrating portions of the bag, and form no part of the claimed design.

(56) **References Cited**

U.S. PATENT DOCUMENTS

D681,338 S *	5/2013	Holloway	D3/318
D761,018 S *	7/2016	Gamble	D3/245
D802,304 S *	11/2017	Smilovic	D3/318

1 Claim, 7 Drawing Sheets



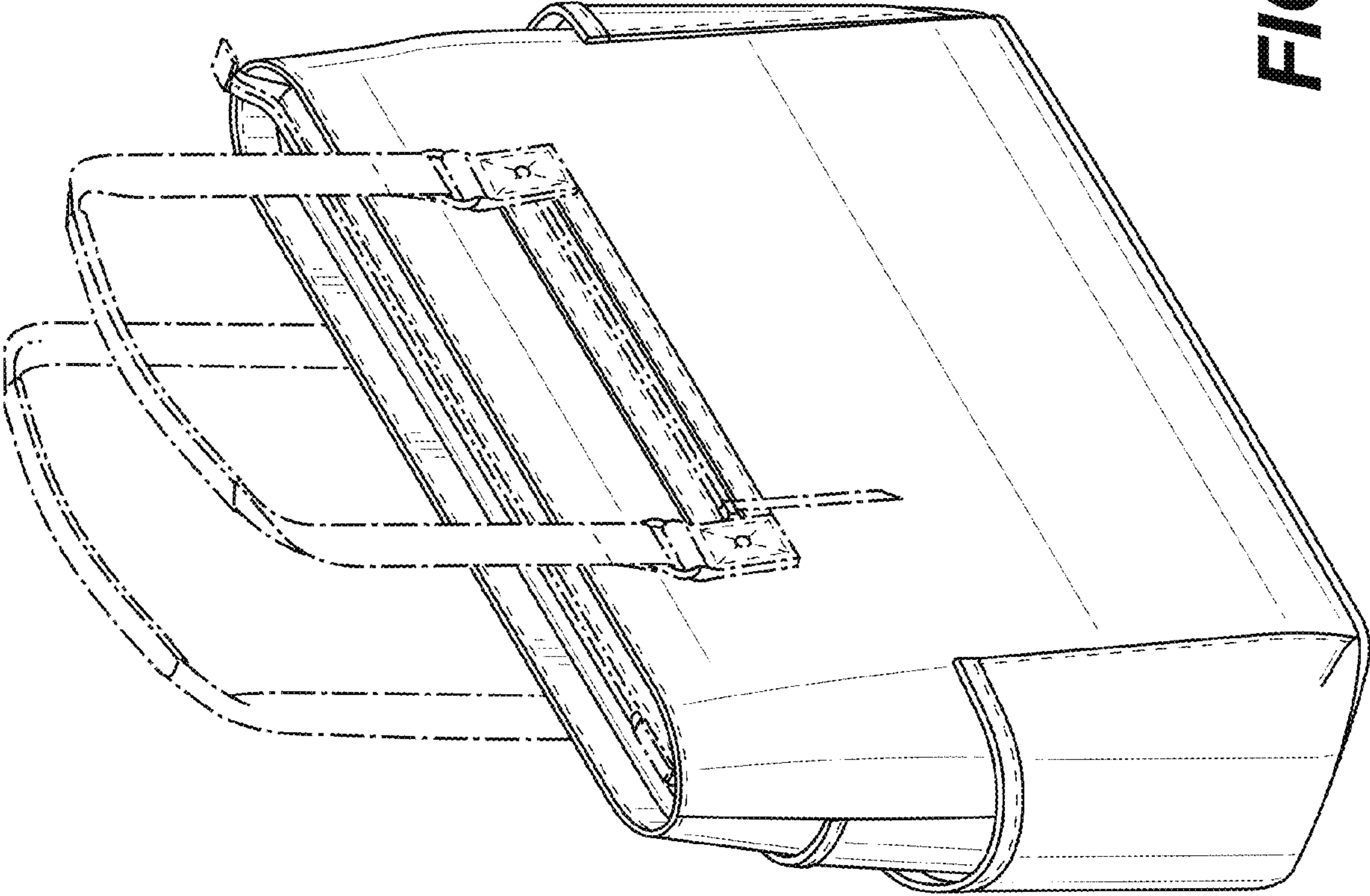


FIG. 1

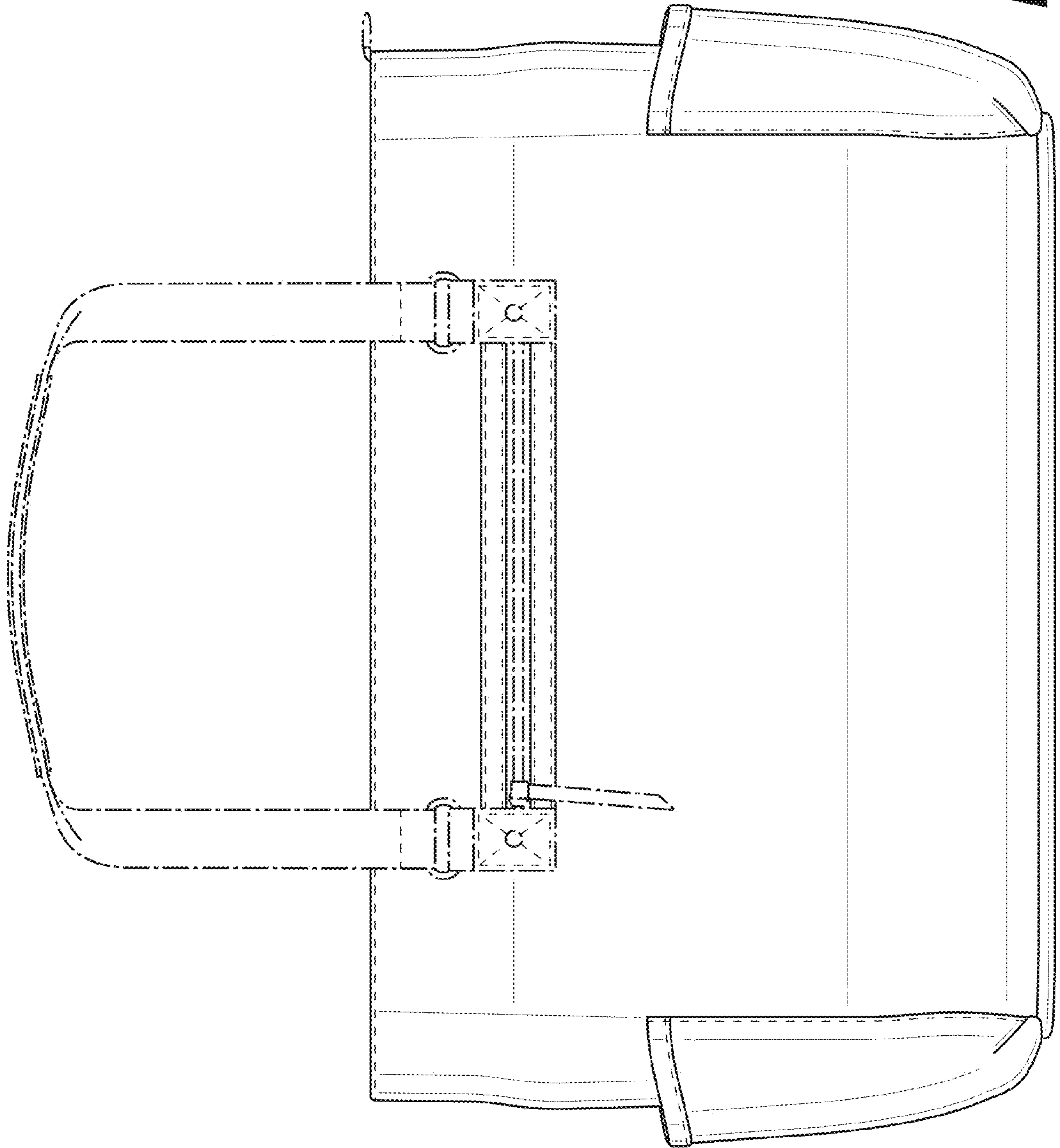


FIG. 2

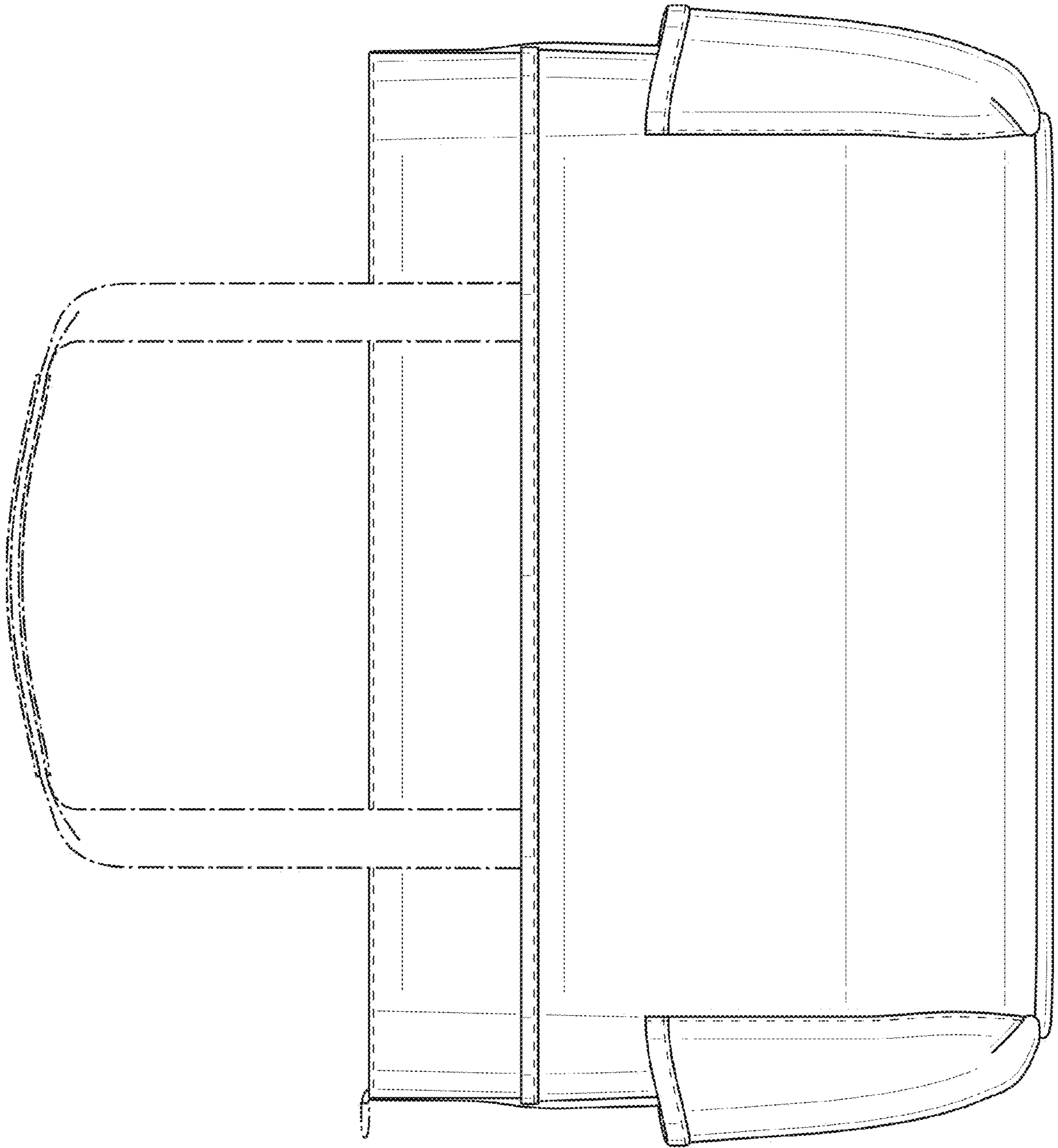


FIG. 3

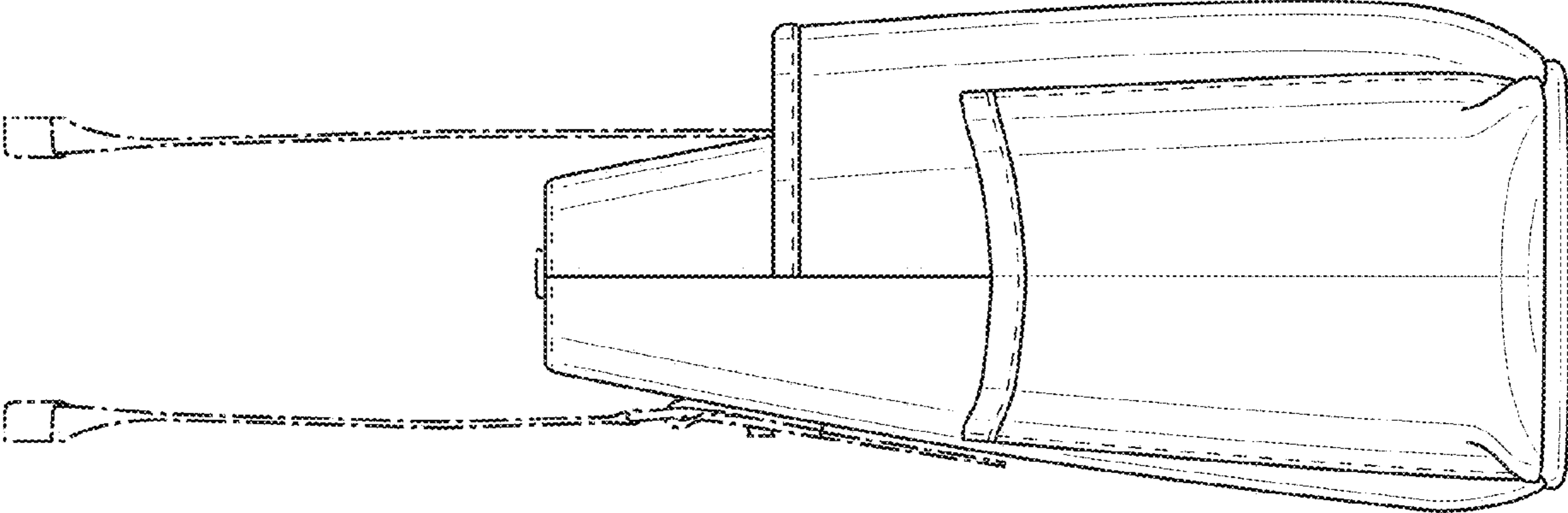


FIG. 4

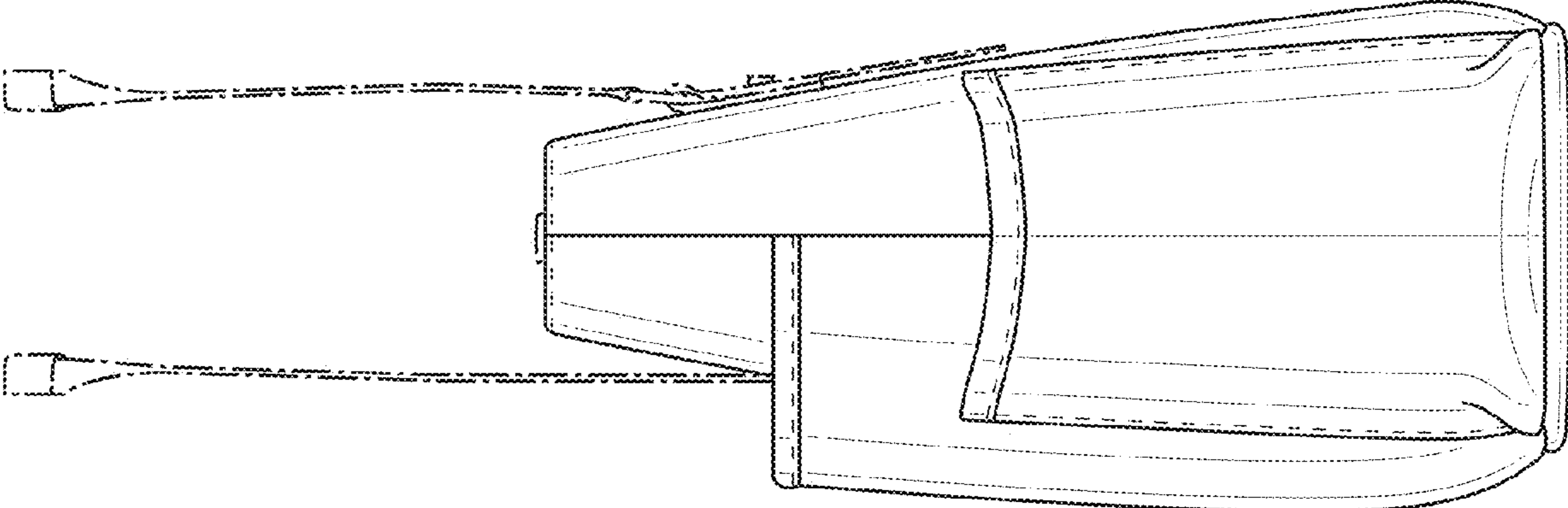


FIG. 5

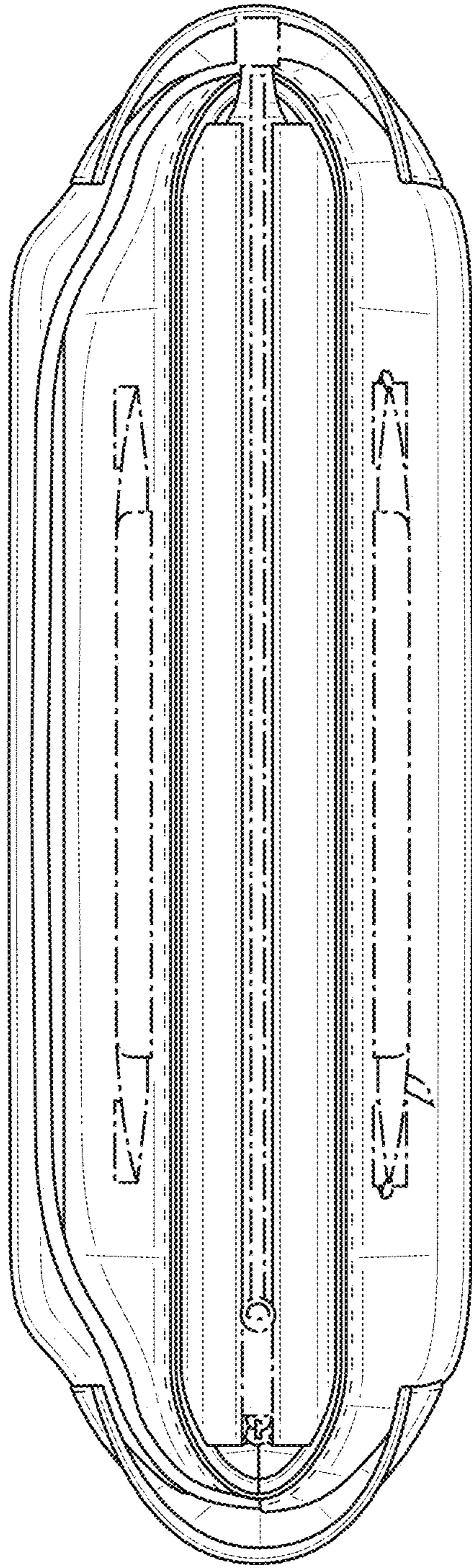


FIG. 6

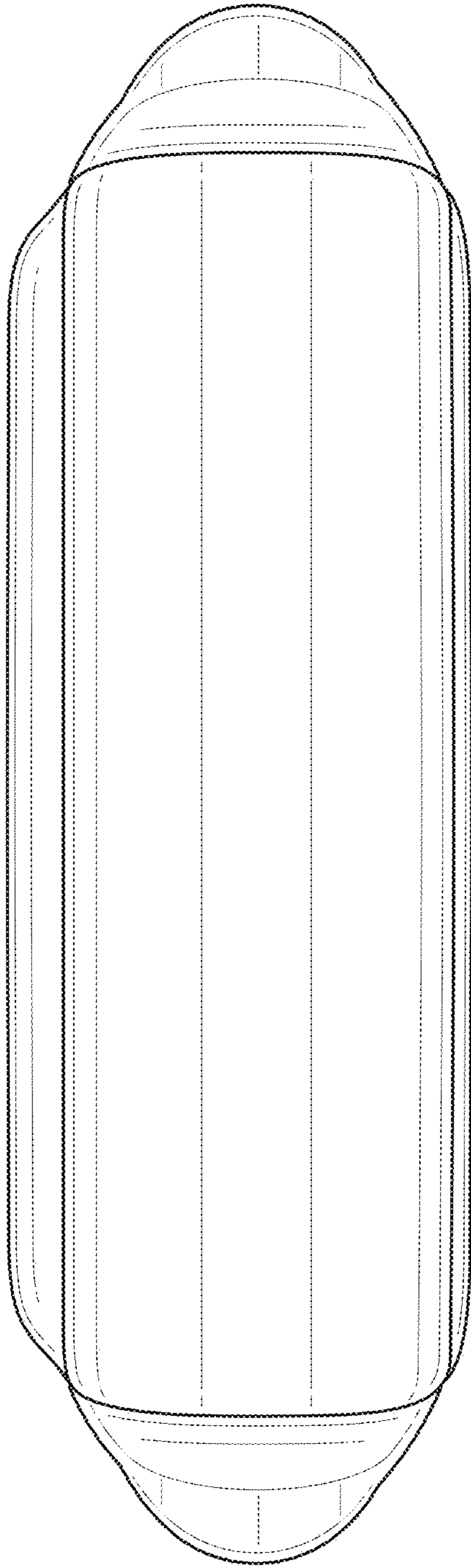


FIG. 7