



US00D873021S

(12) **United States Design Patent**
Tilk et al.

(10) **Patent No.:** **US D873,021 S**
(45) **Date of Patent:** **** Jan. 21, 2020**

(54) **TOOLBOX**

(71) Applicant: **Matco Tools Corporation**, Stow, OH (US)

(72) Inventors: **Jason Tilk**, Cleveland, OH (US); **Bill Rabbitt**, Cleveland, OH (US); **Alex Lei Velet**, Cleveland, OH (US); **Maynard Payumo**, Cleveland, OH (US); **Danwei Ye**, Cleveland, OH (US)

(73) Assignee: **Matco Tools Corporation**, Stow, OH (US)

(**) Term: **15 Years**

(21) Appl. No.: **29/636,110**

(22) Filed: **Feb. 6, 2018**

Related U.S. Application Data

(63) Continuation of application No. 29/543,675, filed on Oct. 27, 2015, now Pat. No. Des. 812,374.

(51) **LOC (12) Cl.** **03-01**

(52) **U.S. Cl.**
USPC **D3/318; D3/905**

(58) **Field of Classification Search**
USPC D3/273, 274, 276, 279, 282, 294, 296, D3/297, 905, 307, 313, 310, 318; D6/667, 671, 671.1, 705, 706; D34/19
CPC B25H 3/00; B25H 3/003; B25H 3/006; B25H 3/02; H02J 7/0027
See application file for complete search history.

(56) **References Cited**

U.S. PATENT DOCUMENTS

2,981,549 A 4/1961 Hotton
D205,522 S * 8/1966 Doman D3/297
D205,523 S * 8/1966 Doman D34/19
D212,661 S 11/1968 Gigiluto
D218,080 S 7/1970 Sierzega
D219,913 S * 2/1971 Maim D3/905

4,120,549 A 10/1978 Bureau
D258,175 S 2/1981 Hazeltine
D263,896 S 4/1982 Glasgow
D272,111 S 1/1984 Anzalone
D273,906 S * 5/1984 Norlin D34/19
D283,263 S * 4/1986 Richey D34/19
(Continued)

OTHER PUBLICATIONS

Image file from Pinterest.com, Accessed Feb. 15, 2017, dated Aug. 1, 2010. (<https://s-media-cache-ak0.pinimg.com/736x/bd/a4/00/bda400d0d7618ef4bea7bef0201c3e87.jpg>).

Primary Examiner — April Rivas

(74) *Attorney, Agent, or Firm* — Hahn Loeser & Parks LLP

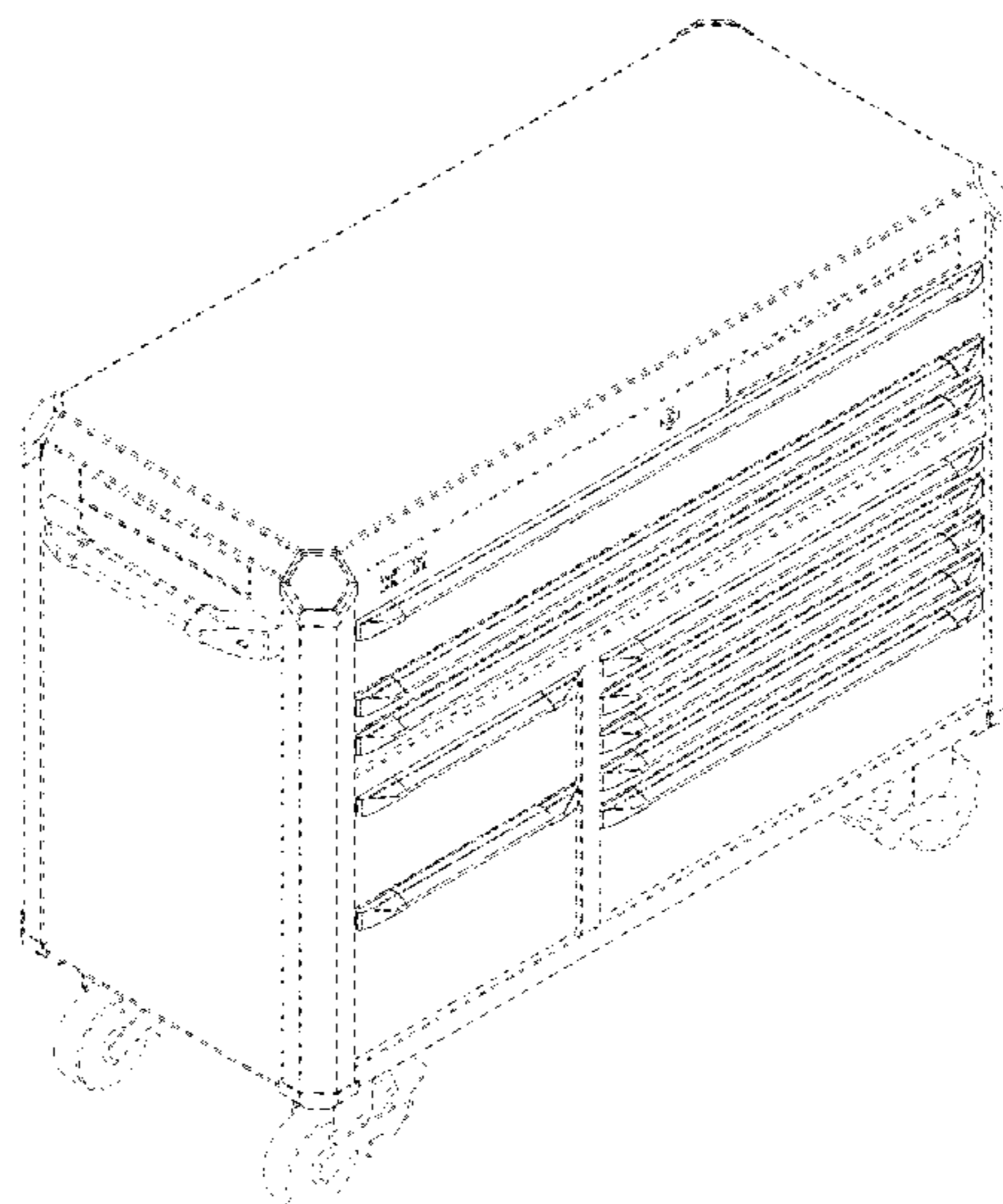
(57) **CLAIM**

The ornamental design for a toolbox, as shown and described.

DESCRIPTION

FIG. 1 is a top left front perspective view of a toolbox, according to the inventors;
FIG. 2 is a top left rear perspective view of the toolbox illustrated in FIG. 1;
FIG. 3 is a bottom left front perspective view of the toolbox illustrated in FIG. 1;
FIG. 4 is a top view of the toolbox illustrated in FIG. 1;
FIG. 5 is a bottom view of the toolbox illustrated in FIG. 1;
FIG. 6 is a left side view of the toolbox illustrated in FIG. 1;
FIG. 7 is a right side view of the toolbox illustrated in FIG. 1;
FIG. 8 is a front view of the toolbox illustrated in FIG. 1; and,
FIG. 9 is a rear view of the toolbox illustrated in FIG. 1.
The broken lines shown in the drawings illustrate portions of the toolbox and form no part of the claimed design.

1 Claim, 7 Drawing Sheets



(56)

References Cited

U.S. PATENT DOCUMENTS

D307,977 S	5/1990	Egly et al.		D599,579 S	9/2009	Hand	
D316,493 S	4/1991	Martino		D604,061 S *	11/2009	Hand	D6/705
D326,198 S	5/1992	Pacetti et al.		D605,436 S	12/2009	Malley et al.	
D333,568 S	3/1993	Dickinson		D608,109 S	1/2010	Hand	
5,221,132 A	6/1993	Combs et al.		D610,830 S	3/2010	Hand	
D337,404 S *	7/1993	Miles	D34/19	D610,831 S	3/2010	Hand	
D341,253 S *	11/1993	Ballman	D3/297	D611,273 S	3/2010	Kohagen et al.	
5,308,156 A	5/1994	Gutierrez		D613,972 S	4/2010	Hand	
D353,046 S	12/1994	Whitaker		7,784,887 B2	8/2010	Grela et al.	
5,482,162 A	1/1996	Dickinson		D636,615 S *	4/2011	Grela	D34/20
5,720,535 A	2/1998	Mehman		D642,404 S	8/2011	Koehn	
5,857,757 A	1/1999	Bieker et al.		D644,037 S	8/2011	Koehn	
D423,817 S	5/2000	Holcomb et al.		D651,022 S	12/2011	Koehn	
D423,818 S *	5/2000	Holcomb	D34/21	D664,790 S	8/2012	Christopher	
6,074,029 A *	6/2000	Snoke	A47B 47/02 312/249.11	D665,597 S	8/2012	Dufoure et al.	
D427,807 S *	7/2000	Holcomb	D34/21	D666,817 S *	9/2012	Koehn	D3/284
6,109,709 A *	8/2000	Holcomb	B25H 3/00 312/217	8,613,456 B2	12/2013	Grela et al.	
D430,426 S *	9/2000	Bieker	D3/905	8,851,585 B2	10/2014	Chang	
D444,930 S *	7/2001	Brown	D34/12	D723,841 S	3/2015	Troyner et al.	
6,409,187 B1 *	6/2002	Crow, Jr.	B62B 5/04 188/20	D742,639 S *	11/2015	Suggs	D3/279
D477,724 S	7/2003	Bishop		9,815,189 B1 *	11/2017	Liu	B25H 1/16
6,719,384 B1 *	4/2004	Parise	B25H 3/00 312/249.9	D812,374 S *	3/2018	Tilk	D3/273
D505,261 S	5/2005	Richardson et al.		2005/0077805 A1	4/2005	Dalebout et al.	
D514,854 S	2/2006	Schmidt et al.		2006/0103278 A1	5/2006	Bousquet	
D517,805 S	3/2006	Hosking		2006/0220503 A1 *	10/2006	Widrig	A47B 31/00 312/218
D521,730 S	5/2006	Lang		2009/0102337 A1	4/2009	Grela	
7,338,354 B2	3/2008	Liu		2010/0046791 A1	2/2010	Glickman et al.	
D574,628 S	8/2008	Grela		2010/0282629 A1	11/2010	Grela	
D584,903 S	1/2009	Hand		2012/0176008 A1	7/2012	Grela et al.	
D586,163 S	2/2009	Hand		2013/0087982 A1 *	4/2013	Grela	B25H 3/028 280/79.2
D587,014 S *	2/2009	Hand	D3/318	2013/0221820 A1	8/2013	Chang	
D587,048 S	2/2009	Hand		2014/0097731 A1 *	4/2014	Grela	B25H 3/00 312/237
D588,849 S	3/2009	Kalkwarf		2015/0328768 A1	11/2015	Martin	
D592,424 S	5/2009	Hand		2016/0128471 A1	5/2016	Chang	
				2018/0056499 A1 *	3/2018	Liu	A47B 51/00
				2018/0345478 A1 *	12/2018	Grela	B25H 3/023

* cited by examiner

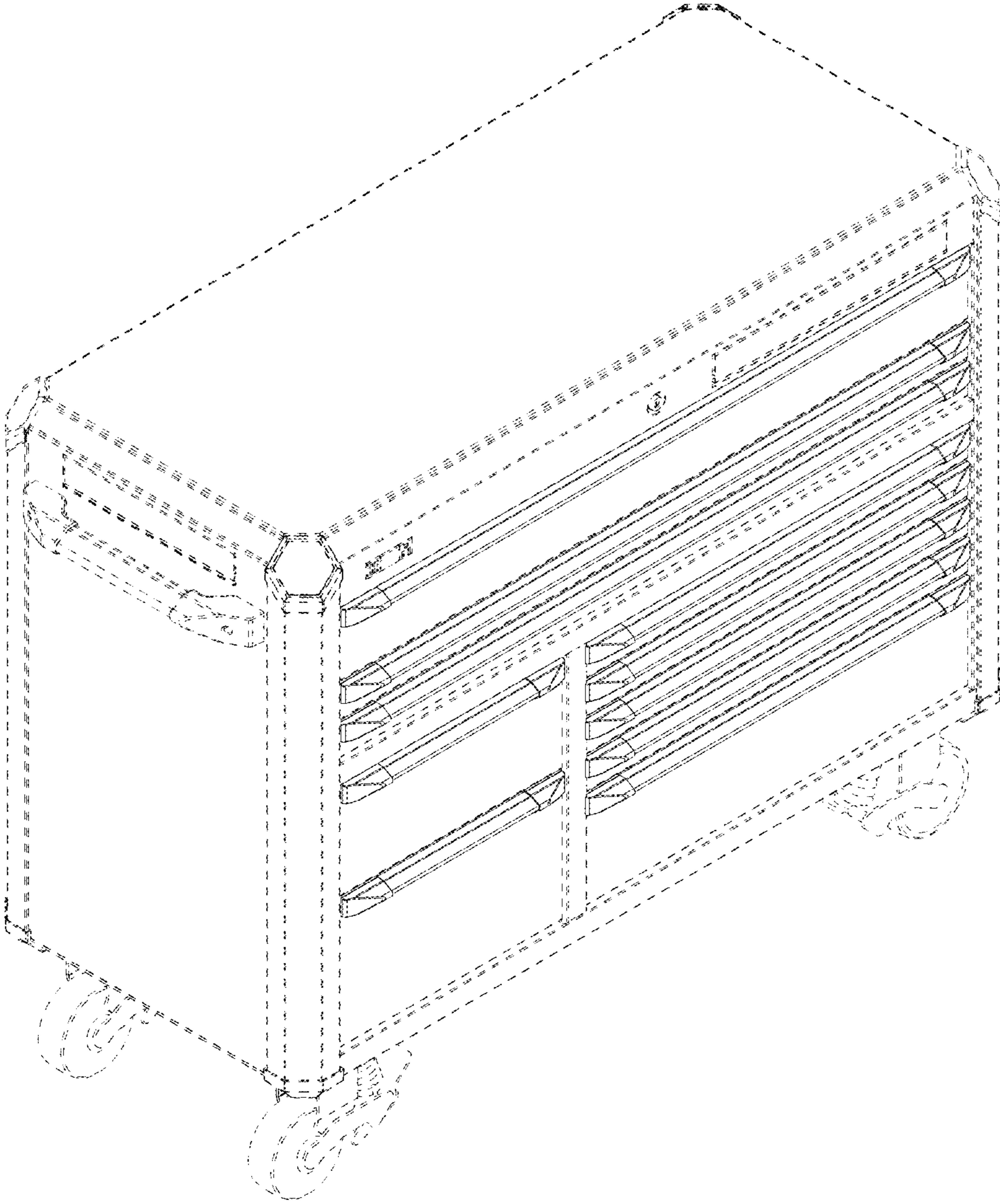


FIG. 1

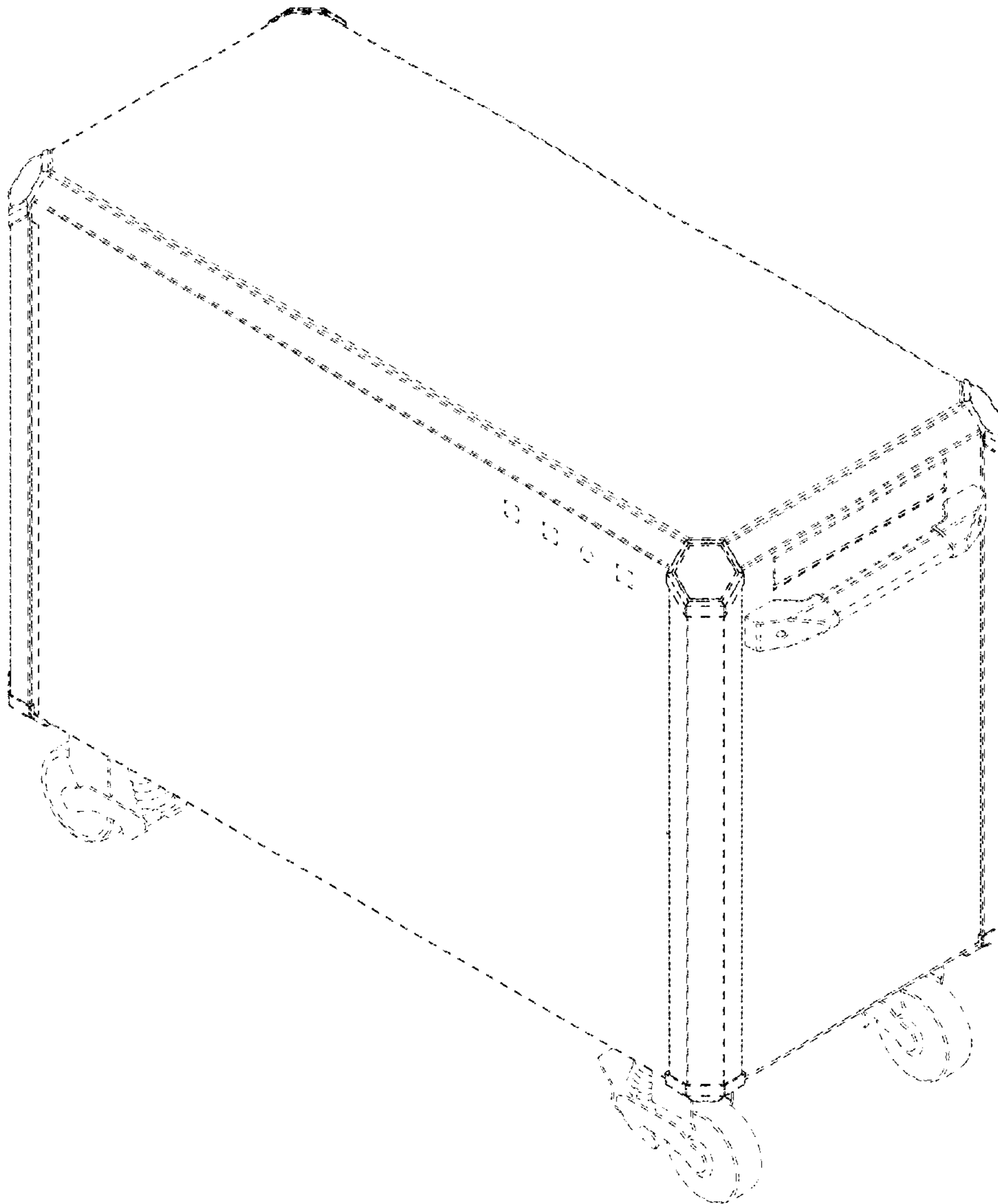


FIG. 2

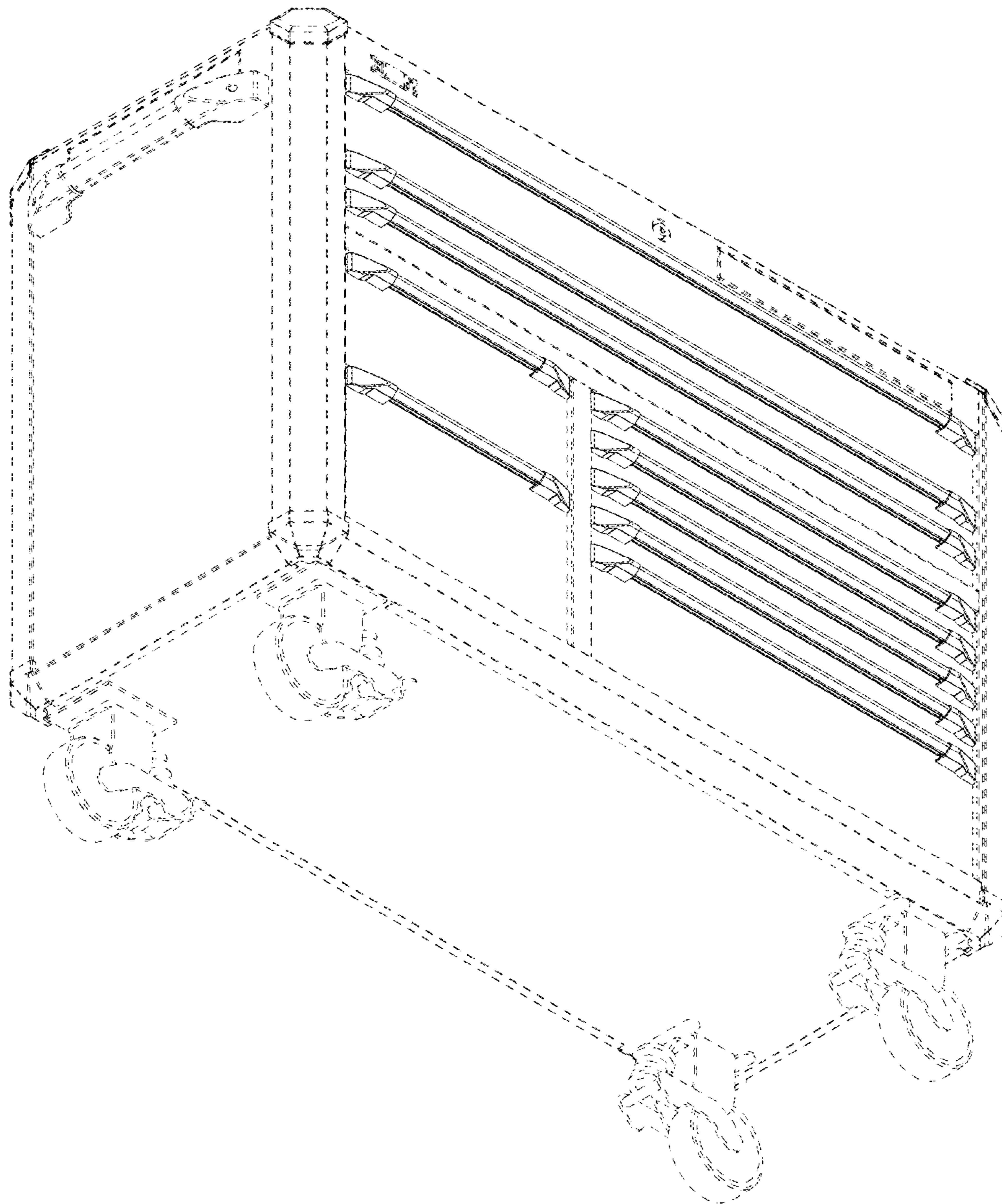


FIG. 3

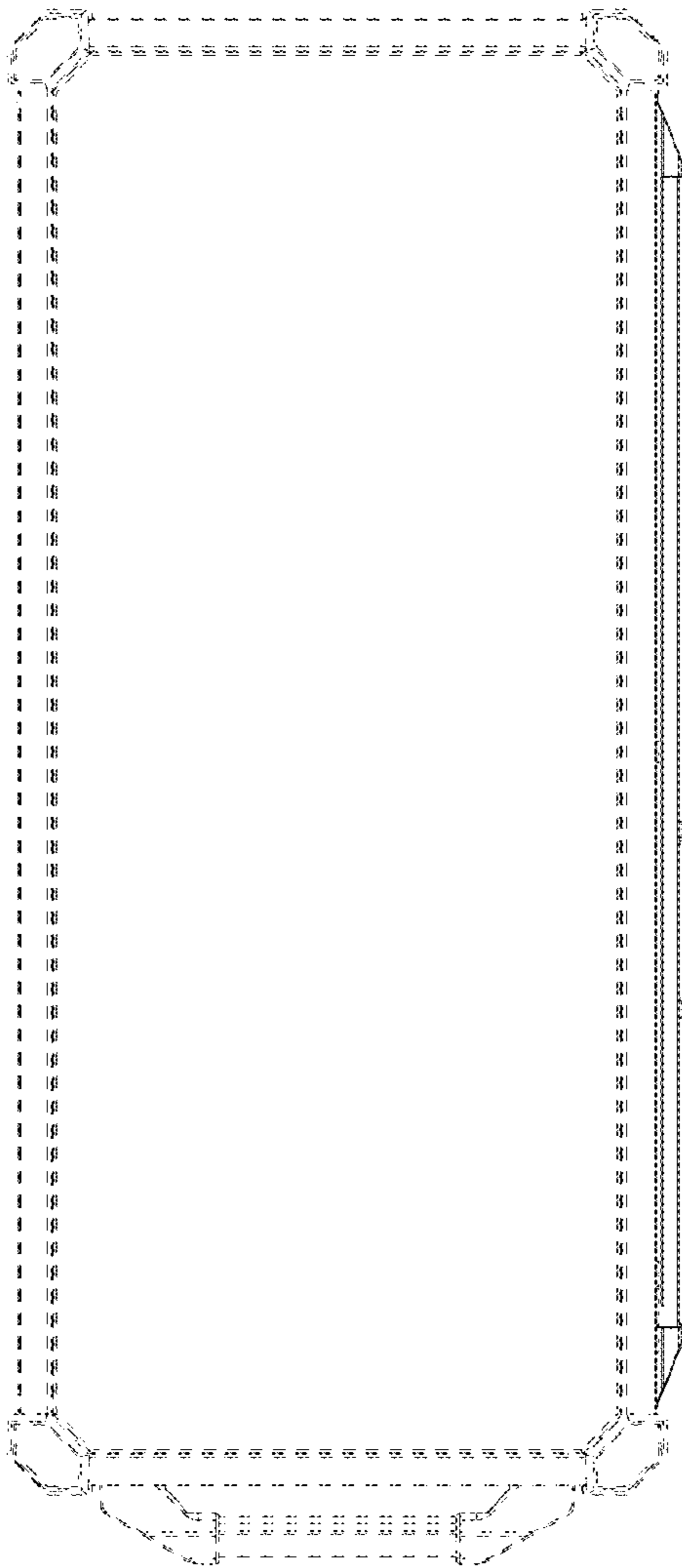


FIG. 4

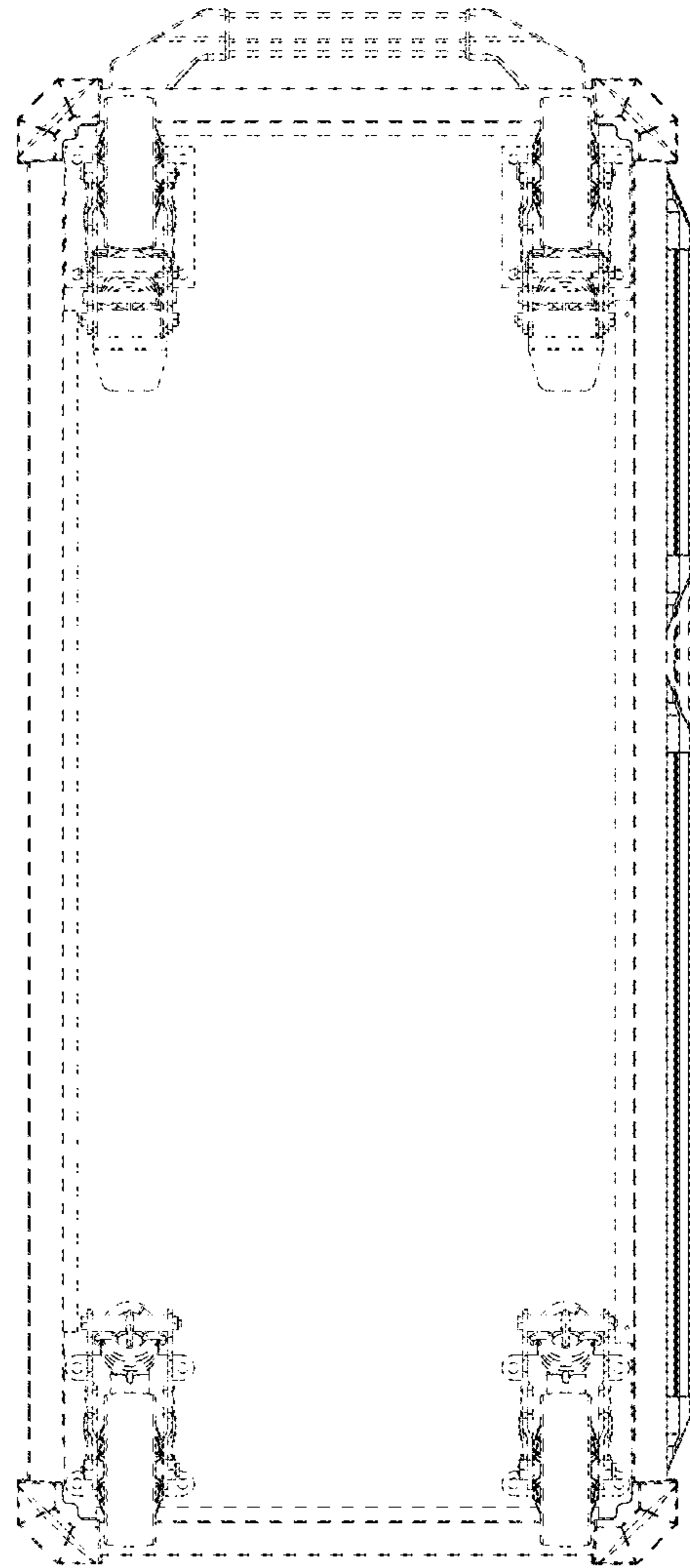


FIG. 5

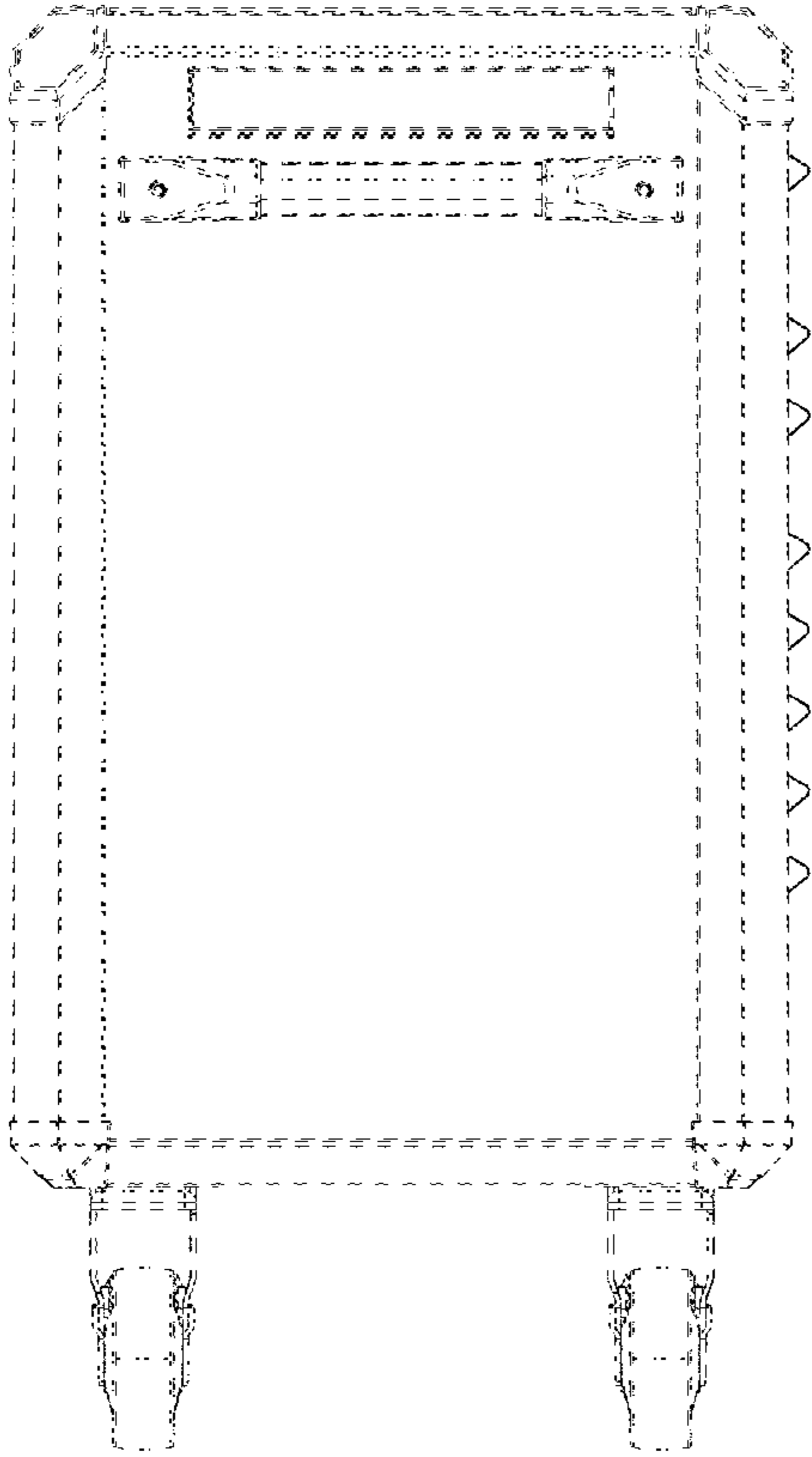


FIG. 6

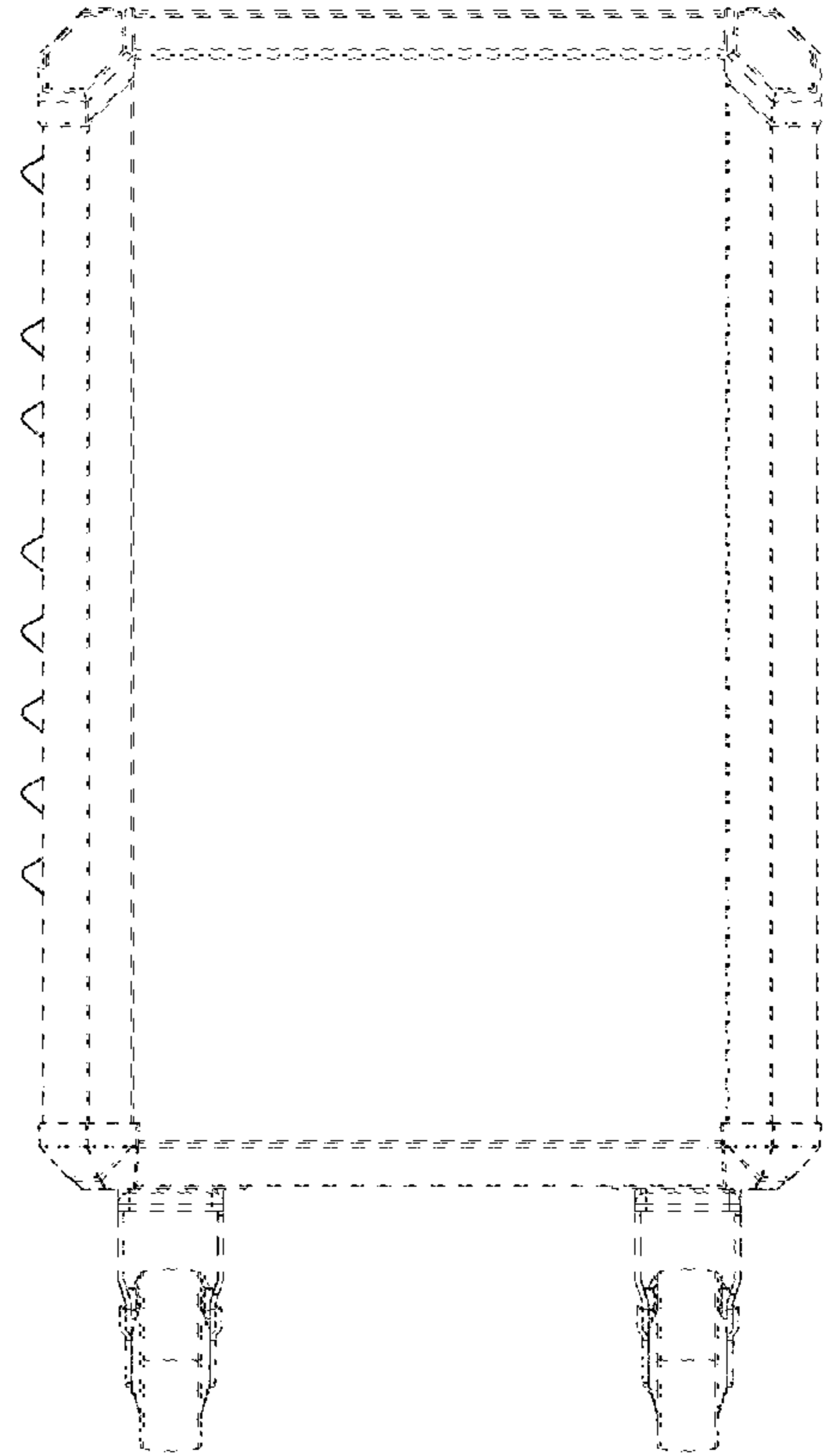


FIG. 7

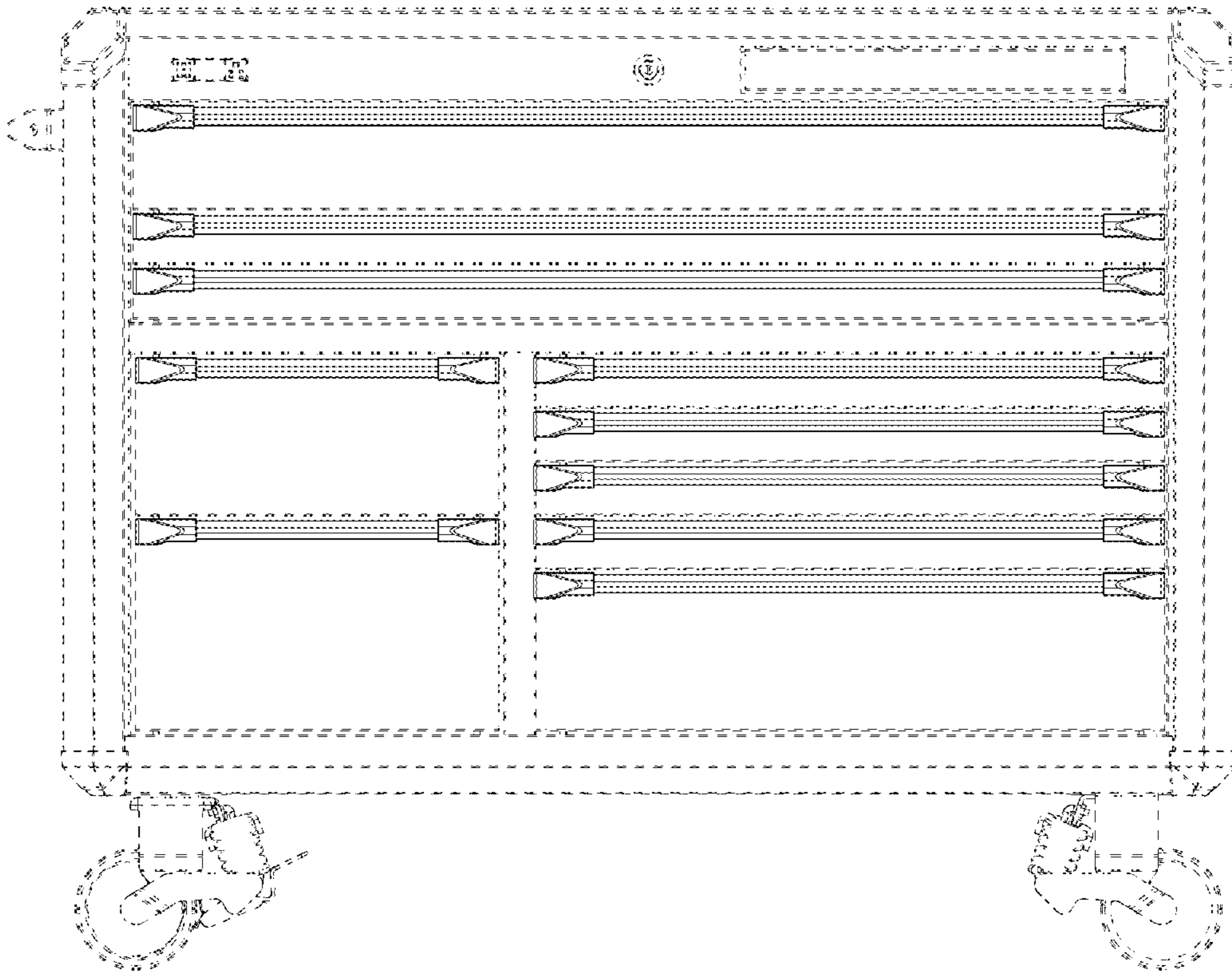


FIG. 8

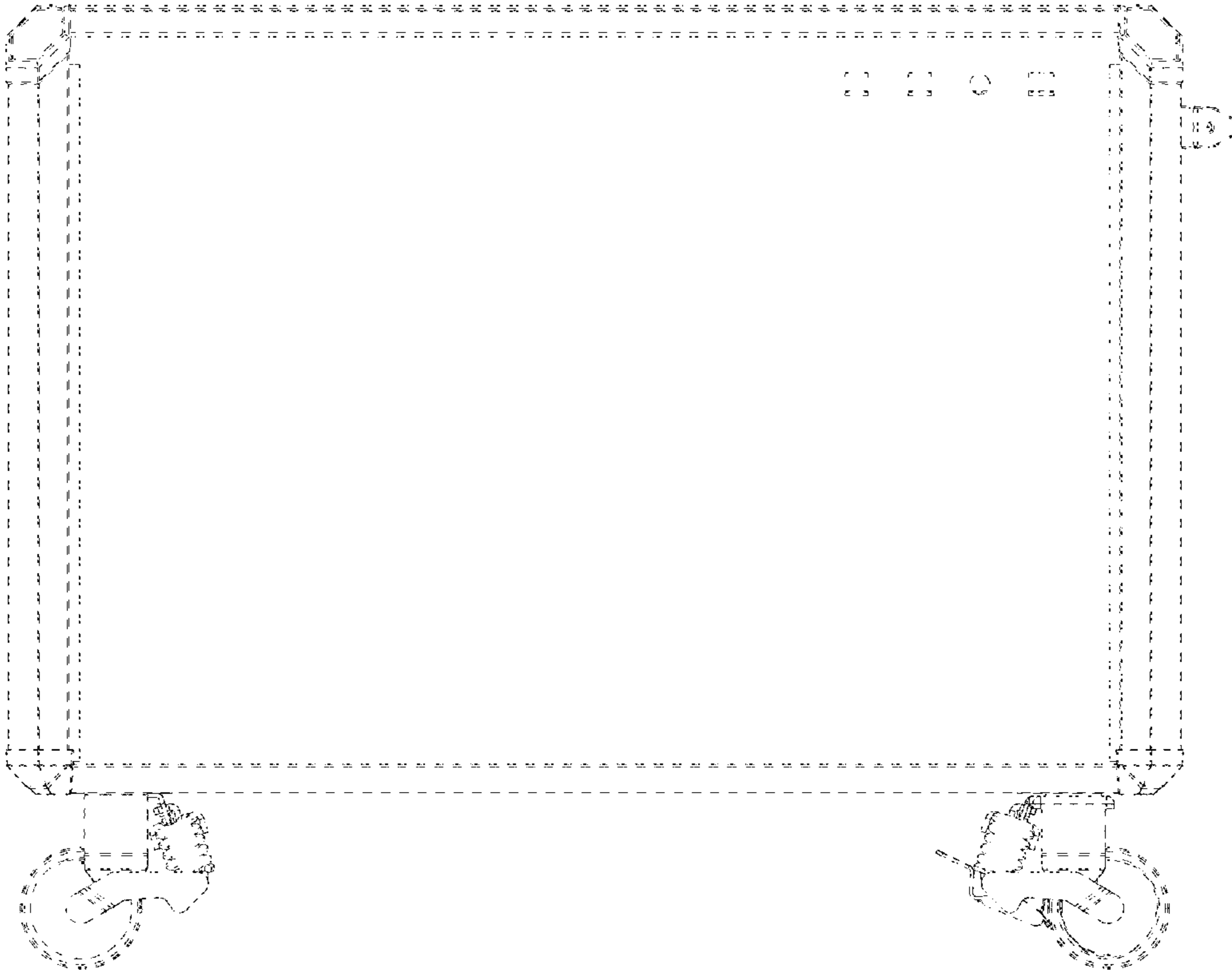


FIG. 9